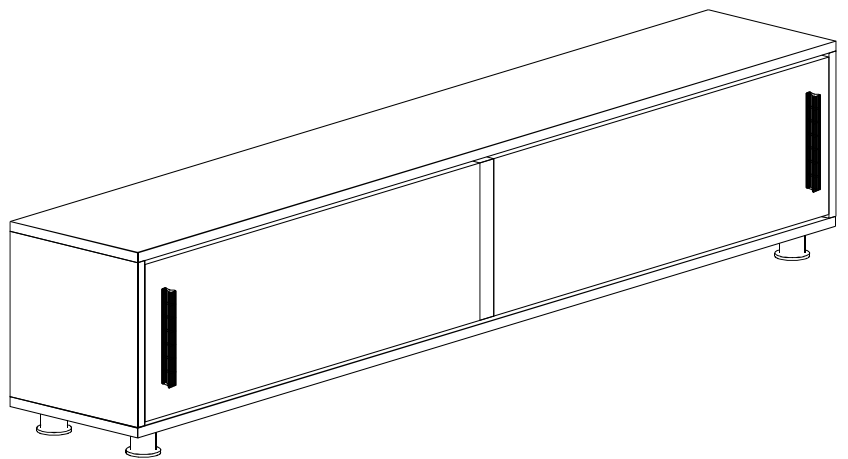


DECOROTIKA



Classy Tv Stand assembly guide

introduction



Before starting, please check all components and accessories according to the provided list. If you purchased more than one product, to prevent confusion, be sure that you completed the first product, then start the next one. Please make sure that you select correct numbered part and use specific connector to assemble. We do not recommend any modification or rotation in assembly. Please follow the manual carefully.

Furniture parts are going to several manufacturing procedures. During this process, parts can have little dust or marks. Please clean the parts with damp cloth before assembly to get the best result. Usual cleaning would be suffice.

Valued Customer,

We design and carefully manufacture our products for our customers, We wish that our customers to have fun while they are doing their new furniture

The product you just purchased was subjected to all sorts of tests and controls before sending out to you.

Hope you enjoy your new furniture!!!



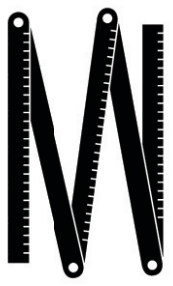
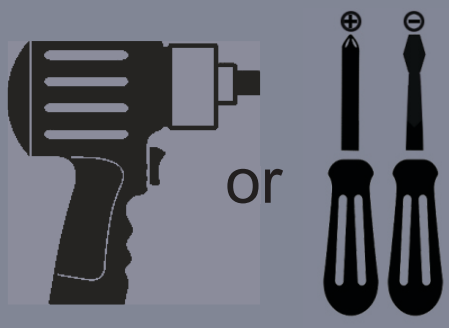
Do not use your furniture for out of purposes. If you would like to use it out of purpose or would like to do some modification or rotation, please contact us for more details.

Please do not expose your furniture with excessive heat, cold and humidity because product can be affected negatively.

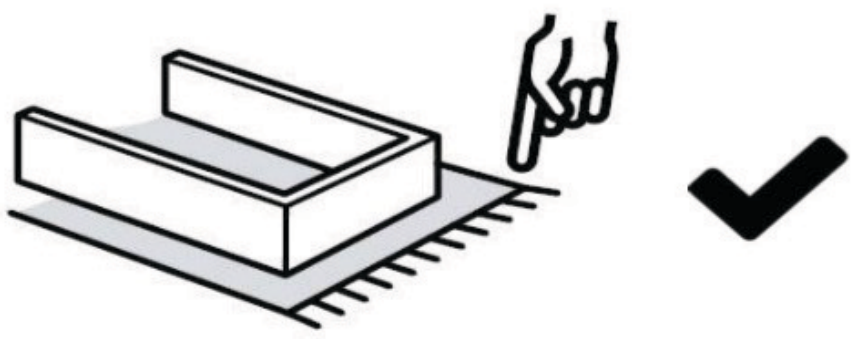
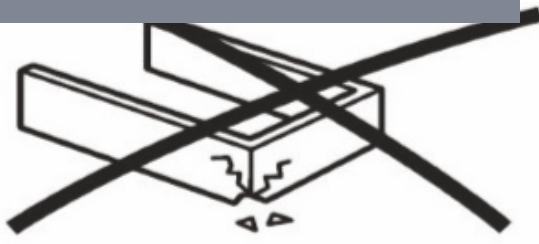
[e-mail: contact@decorotika.us](mailto:contact@decorotika.us)

[The US Phone : +1 302 327 8923](tel:+13023278923) Working Hours: Mon- Fri (09 am - 05 pm)

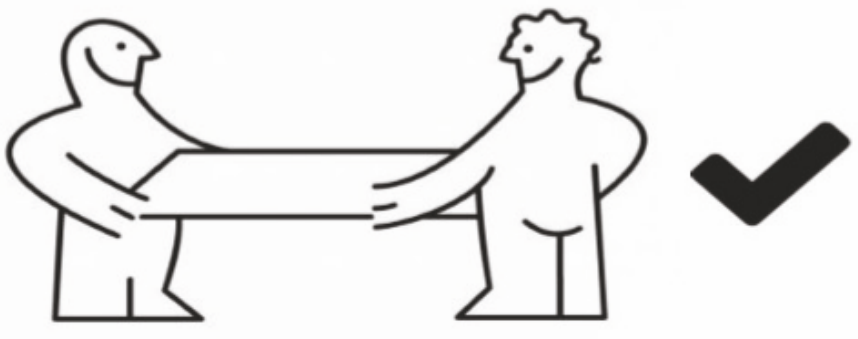
before you start



Get required installation tools prepared.

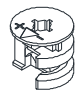

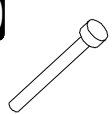
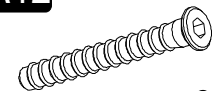



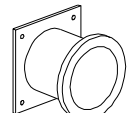





Do not install the product on rough surfaces.

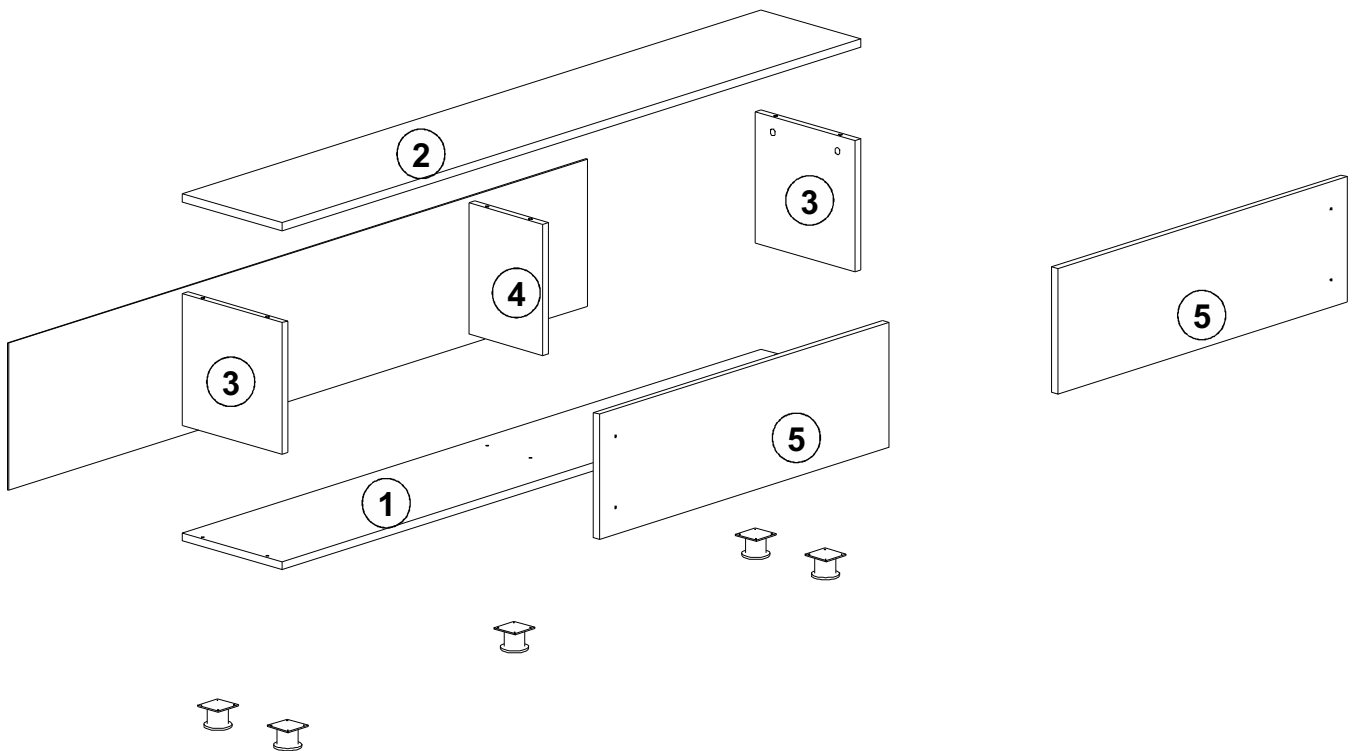


Get help from someone else!

ACCESSORY LIST

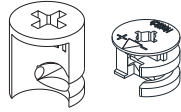
A02 Minifix k18  6x	A03 Minifix M10  6x	A40 nail  24x	A12 50 mm  6x
A06 18 mm  c1 6x	A09 3-5x18  52x	Z29 160 mm handle  2x	Z39 foot  5x
A07 14 mm  c1 6x	T25 slider wheel  4x	T26 slider wheel  4x	

GENERAL VIEW



getting familiar with the main components

*Minifix is the main connection component used in Decorotika products. Before starting, please check the below figures

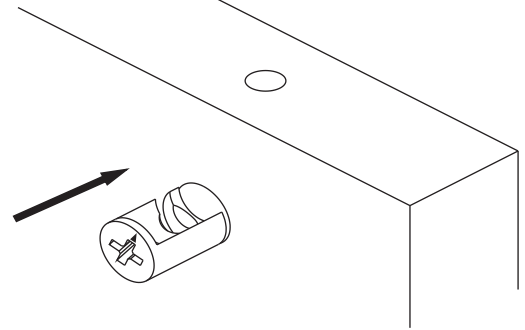
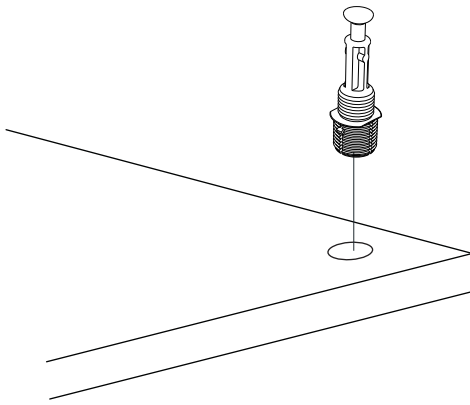


MINIFIX
HEAD



MINIFIX
SCREW

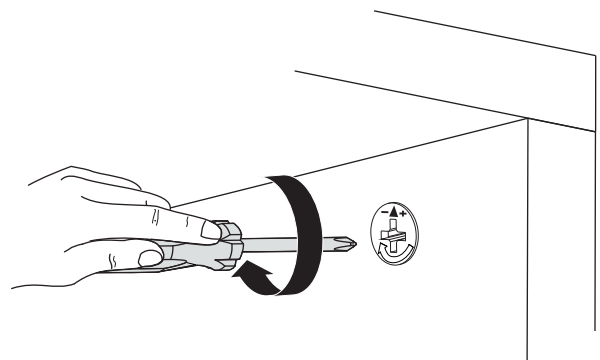
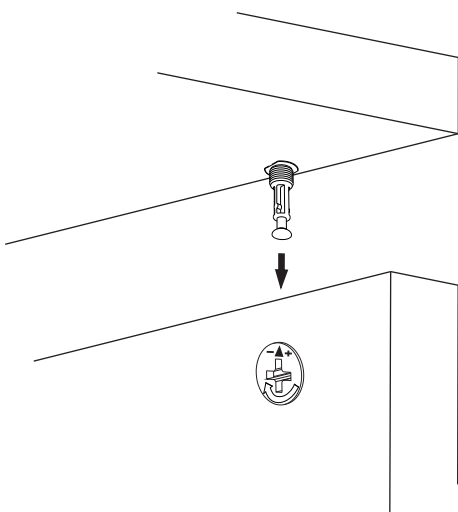
*Please notice that there is an small arrow on A02 (minifix head). This arrow should show the direction of upper hole.



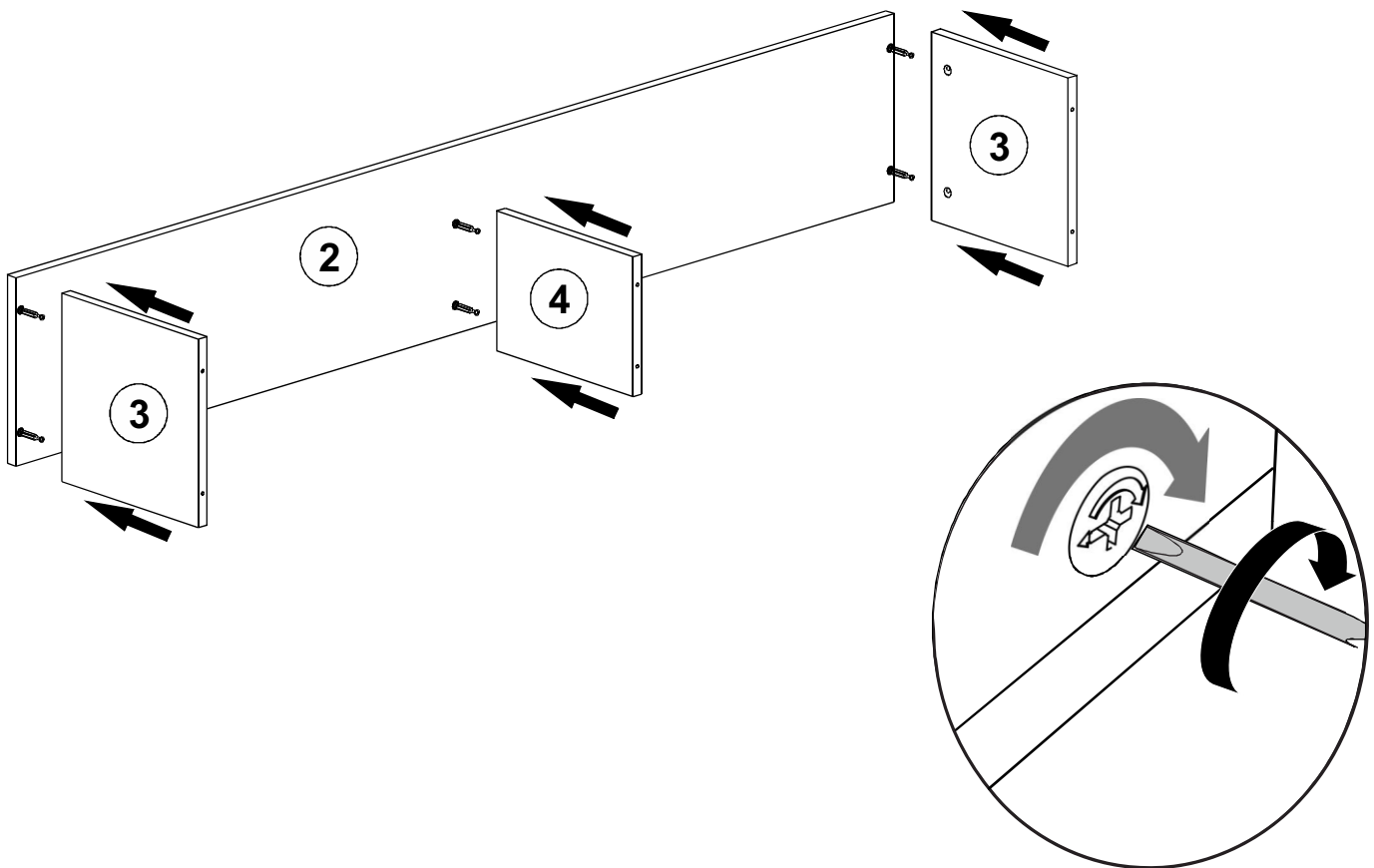
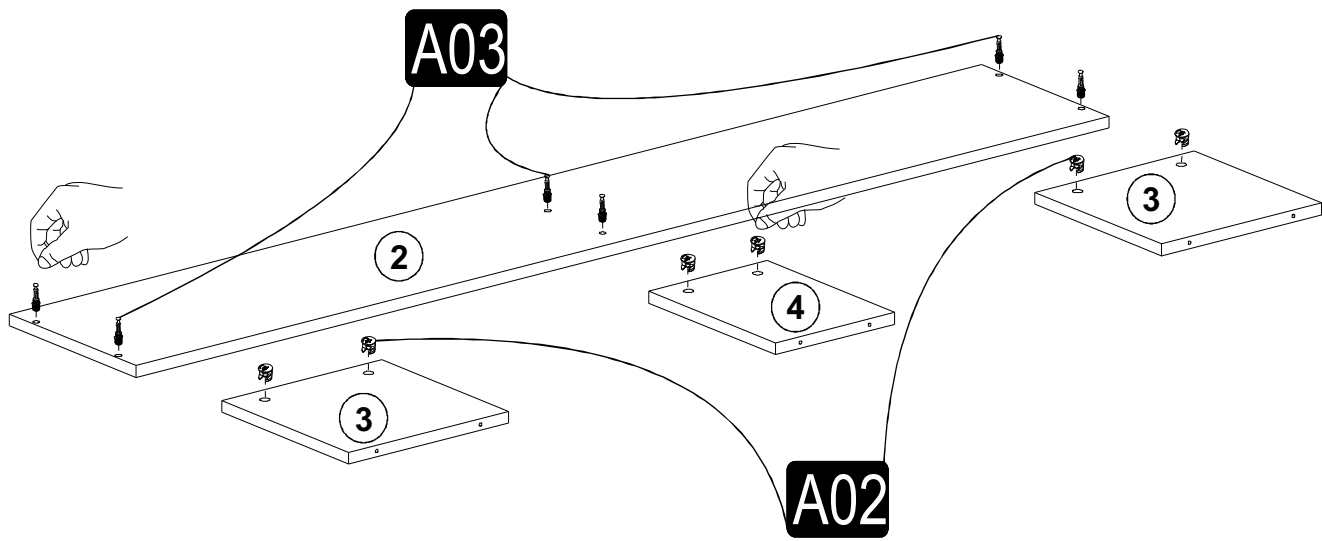
*A02(minifix head) and A03(minifix screw) help us to attach two wood pieces each other.

*After attaching two pieces please turn the A02 (minifix head) clockwise direction just a half tour with the help of a screwdriver.

*Please do not over screw the A02 (minifix head) since it may be broken if too much power is imposed. Just make sure that it is screwed to the direction “+” do not go any further.

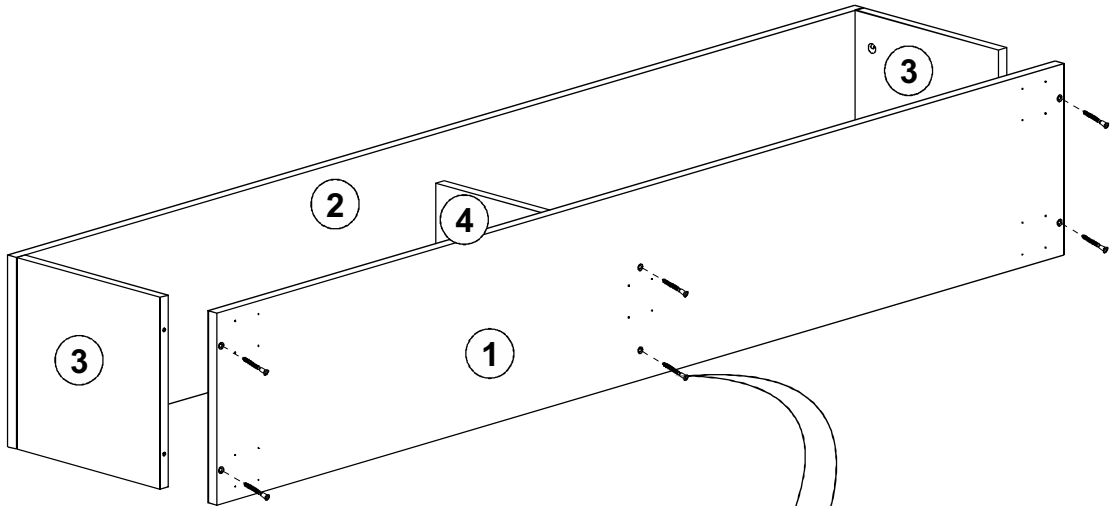


1

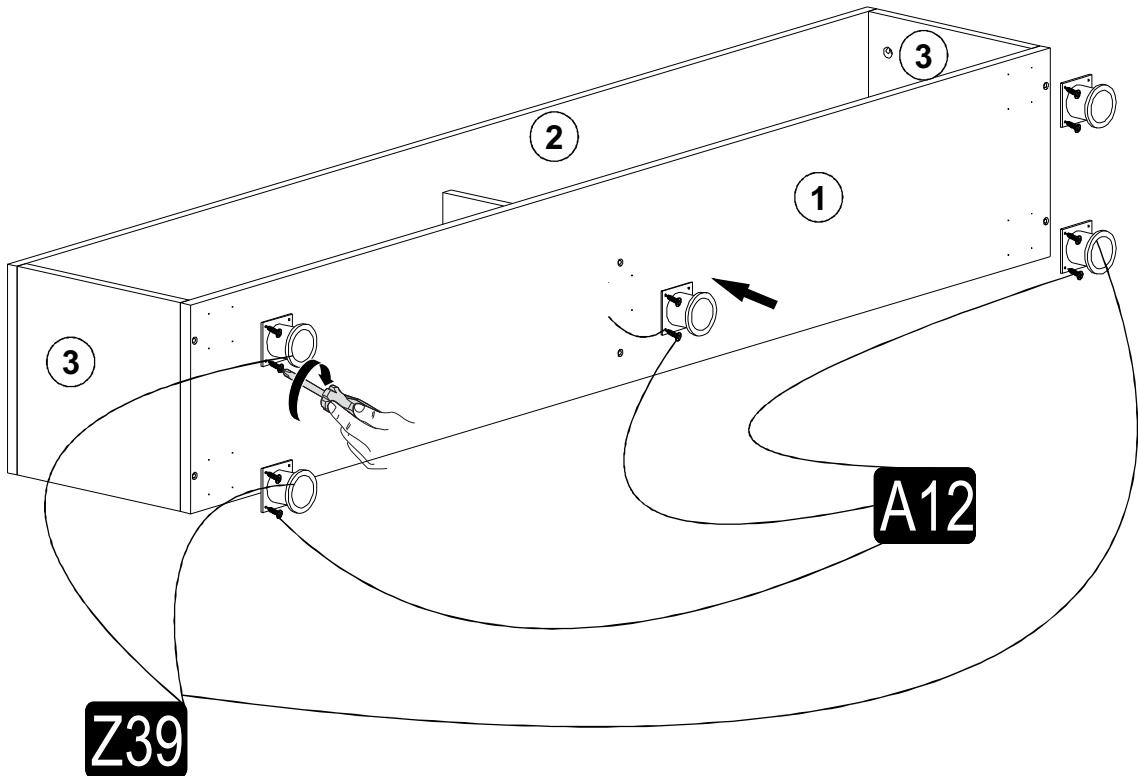
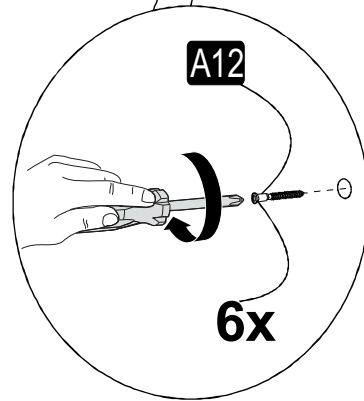


6

2



3

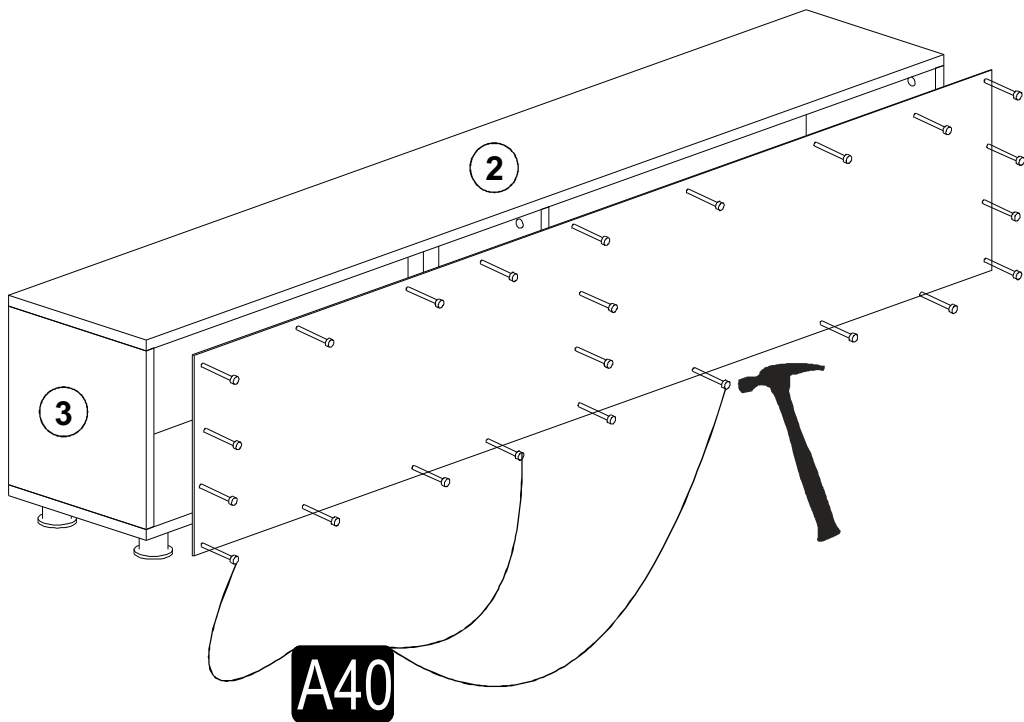


7

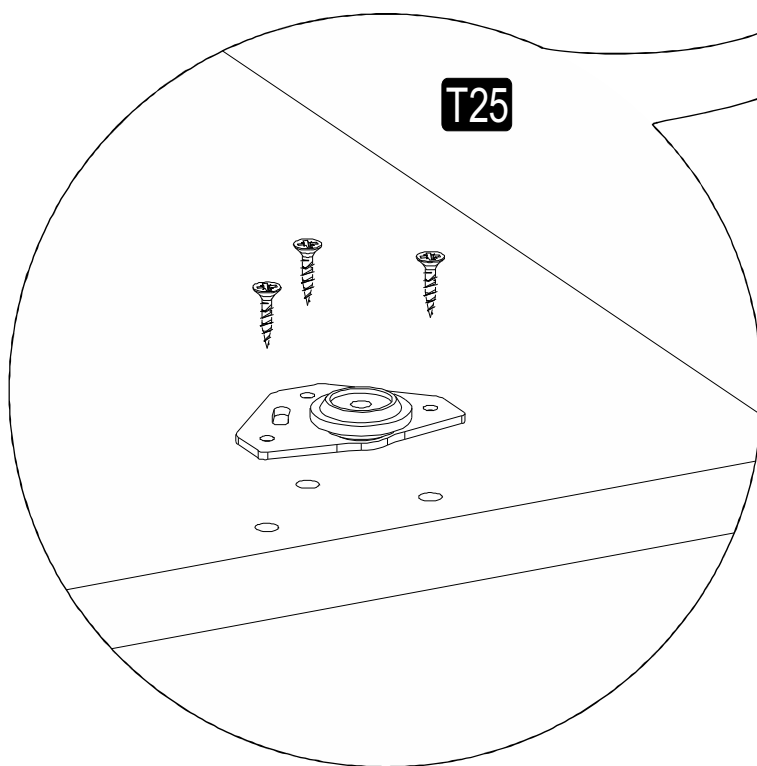
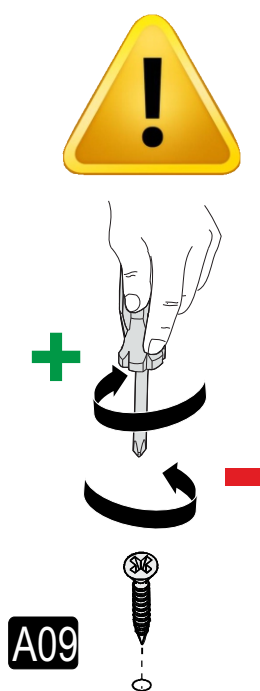
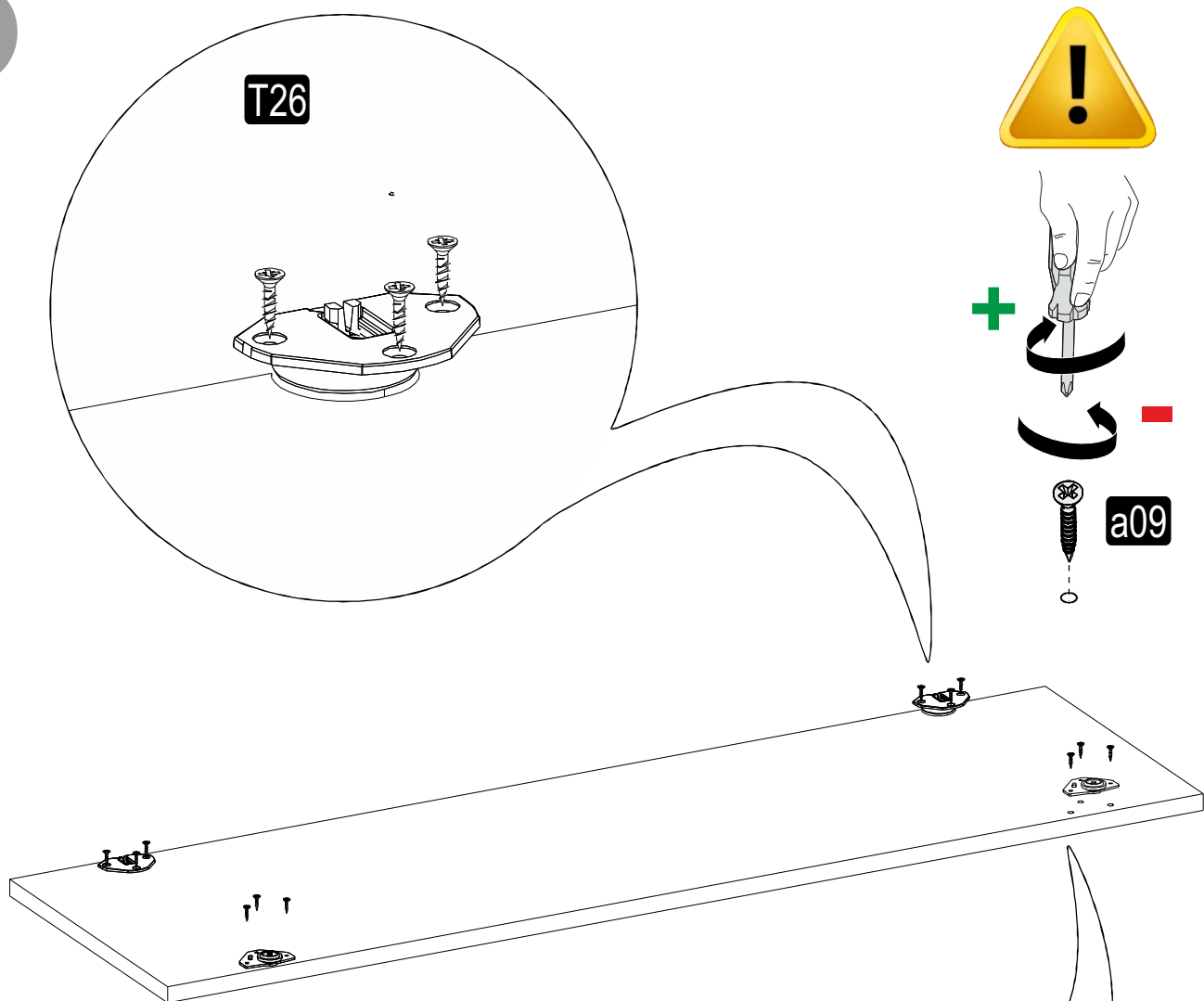
4



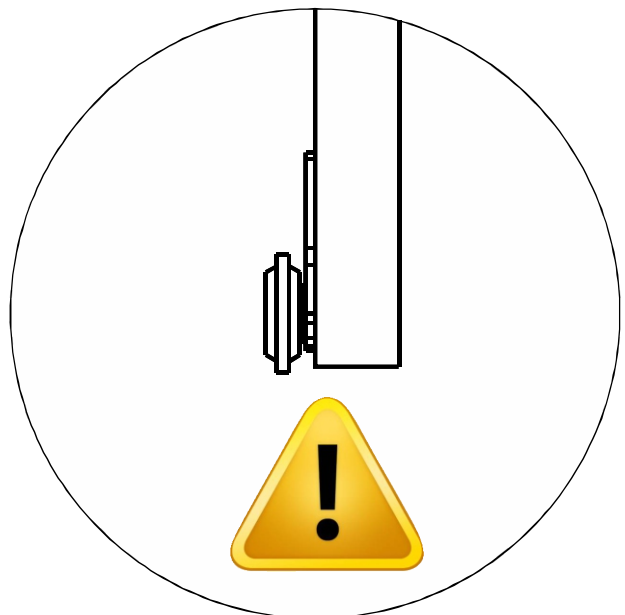
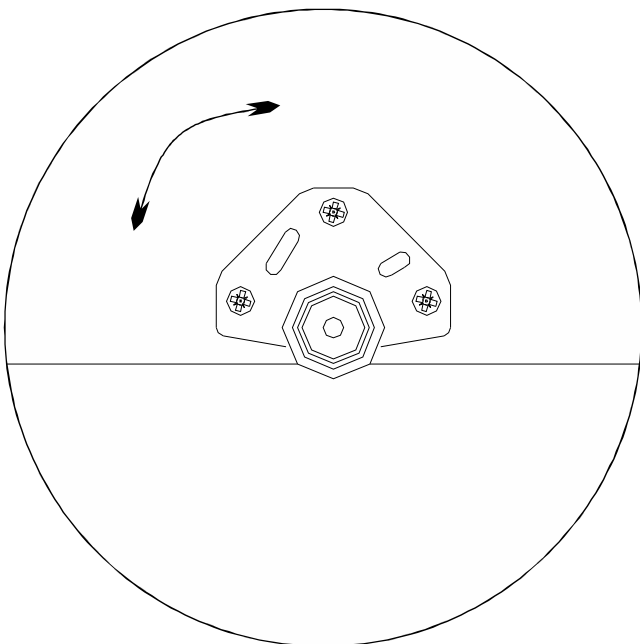
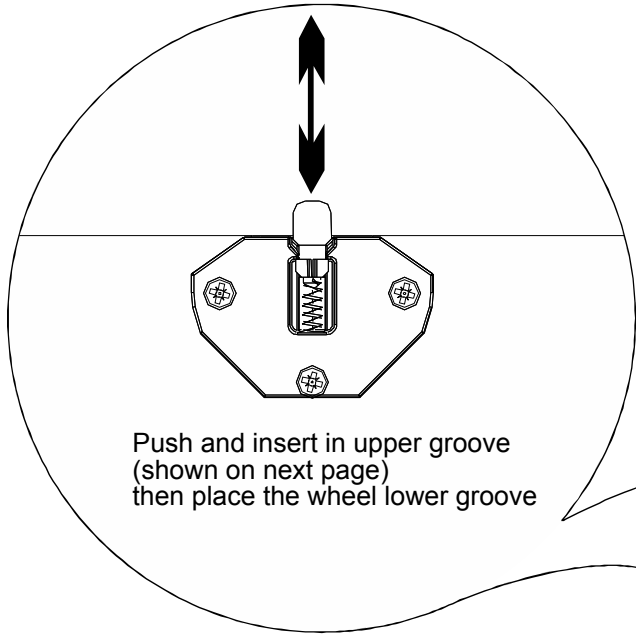
Please install the back panel onto the back of your tv stand. Installing the back panel will both make your tv stand sturdier and look better.



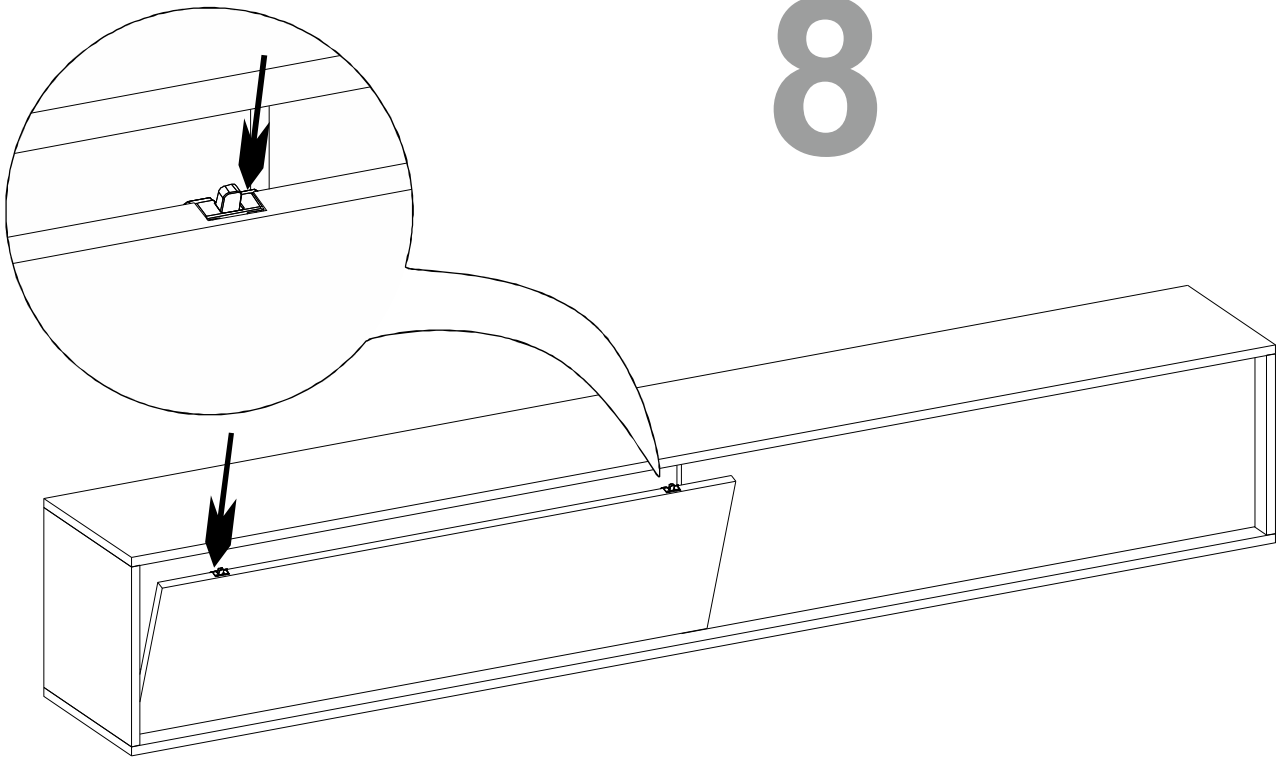
5



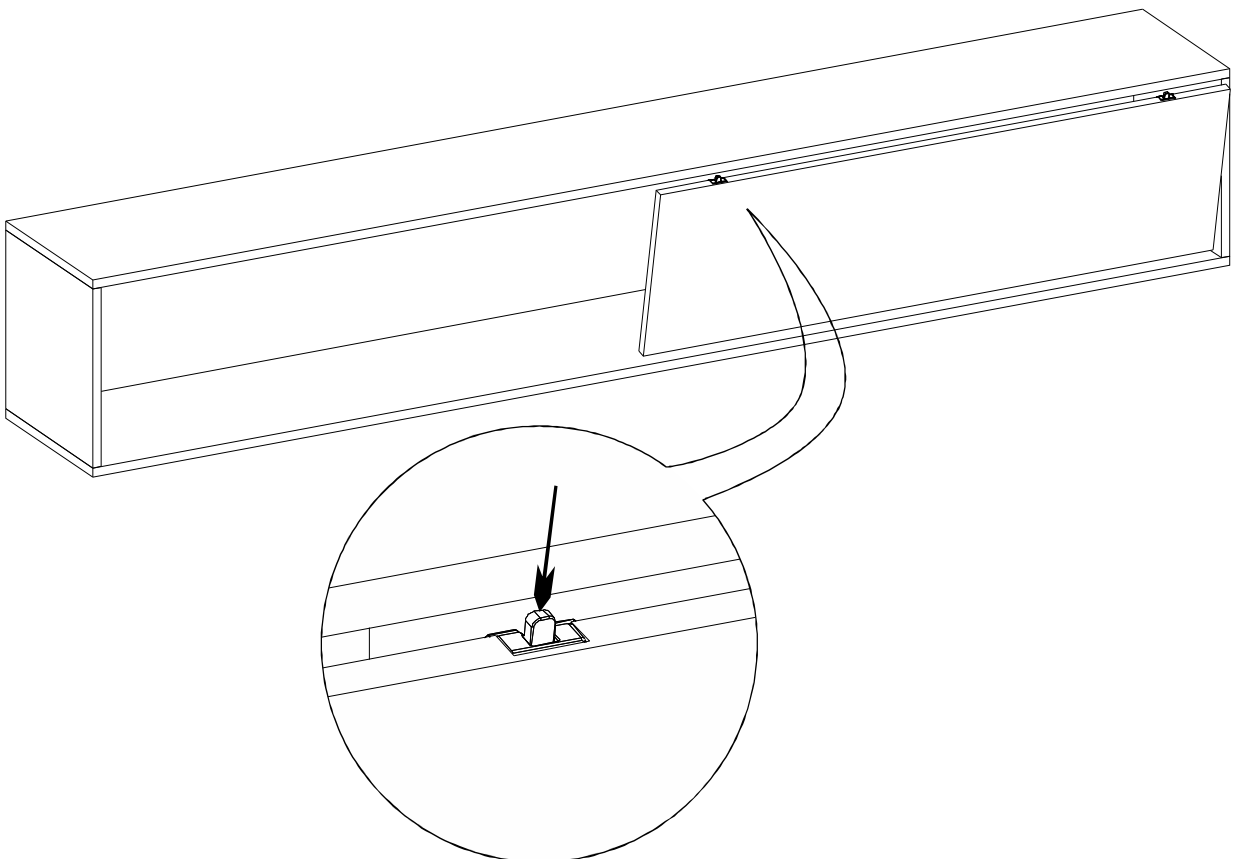
6



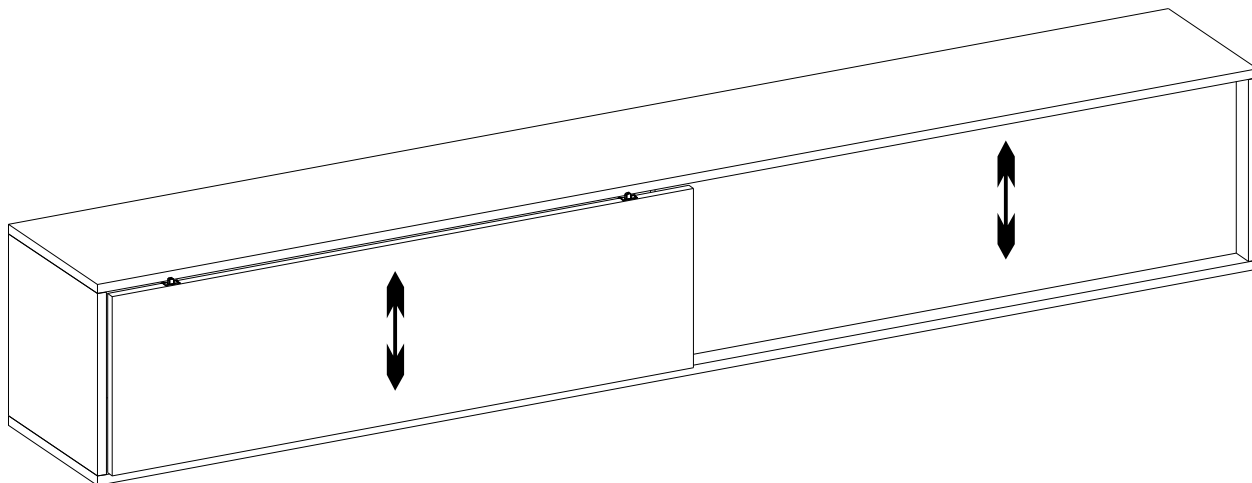
8



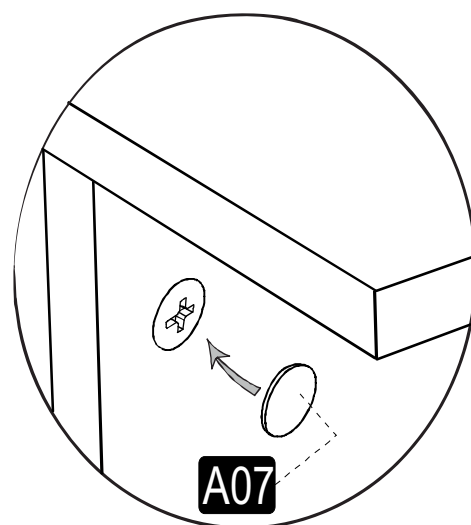
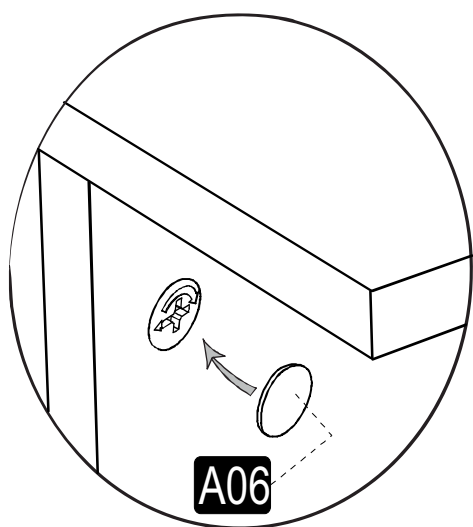
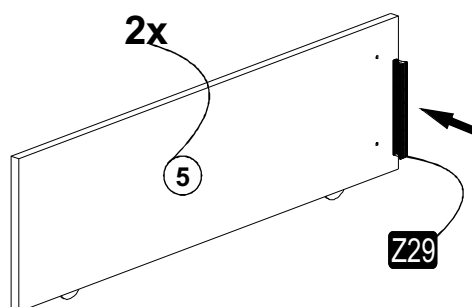
7



11



With the help of the screw on the wheel, the cover is adjusted up and down.



Have you seen our other products ?

www.decorotika.us