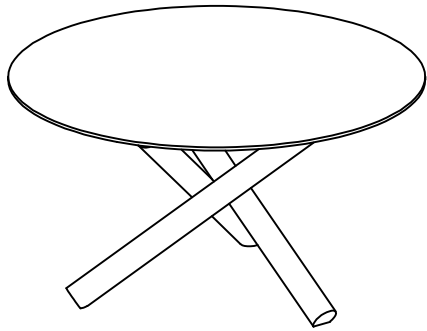
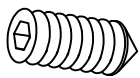


INSTALLATION INSTRUCTION

PRODUCT NAME

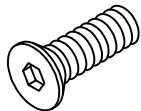


HARDWARE



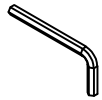
M8*16 Screw

(A)*3



M8*20 Screw

(B)*3



M5 Wrench

(F)*1

COMPONENTS

①

GLASS



1pcs

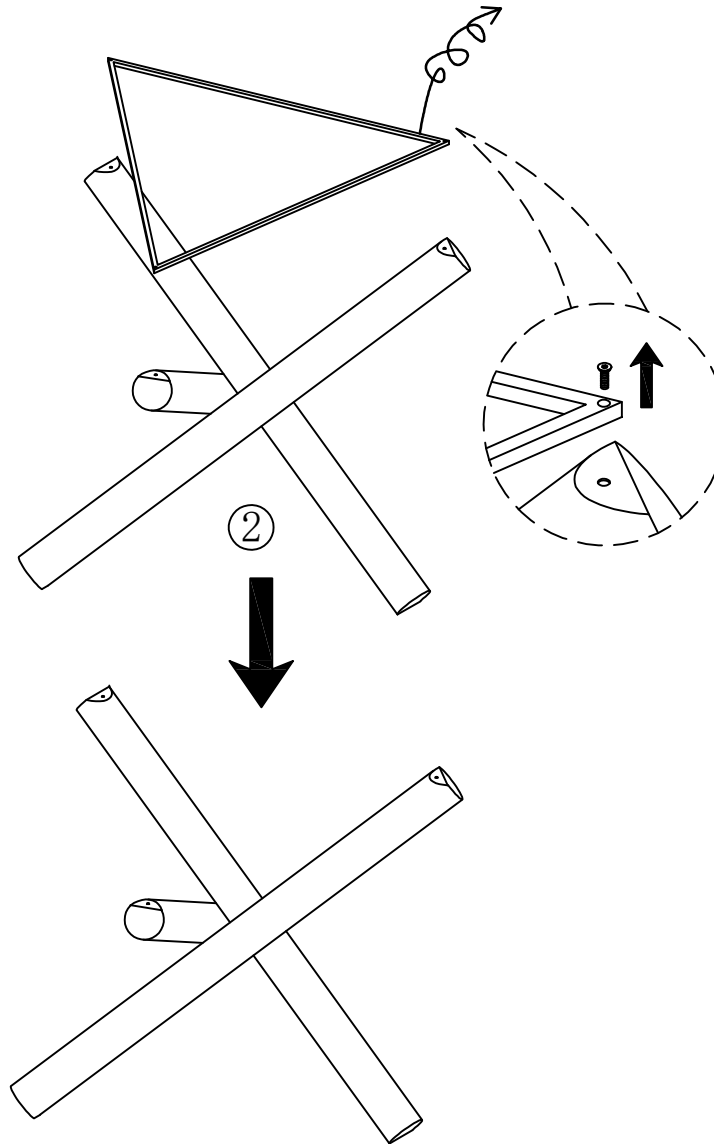
②

BASE



1pcs

STEP 1: The 3 slim normal steel bars on the leg are just for fixing and protecting the table during transport. When it arrives home, you may just remove them and give to recycle. They are not part of the table.



STEP 2:

