

ASSEMBLY INSTRUCTIONS

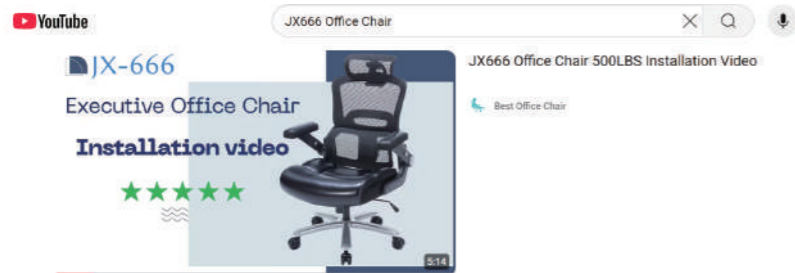


MODEL NO (JX-666)

E-mail: chairservice888@gmail.com
If you encounter any problems during installation
or use, please feel free to contact us by email
and we do happy to help you.

NOTE:

If there is any issue with our chair, please contact After-Sales Support with your order number at chairservice888@gmail.com , we will solve it for you immediately !

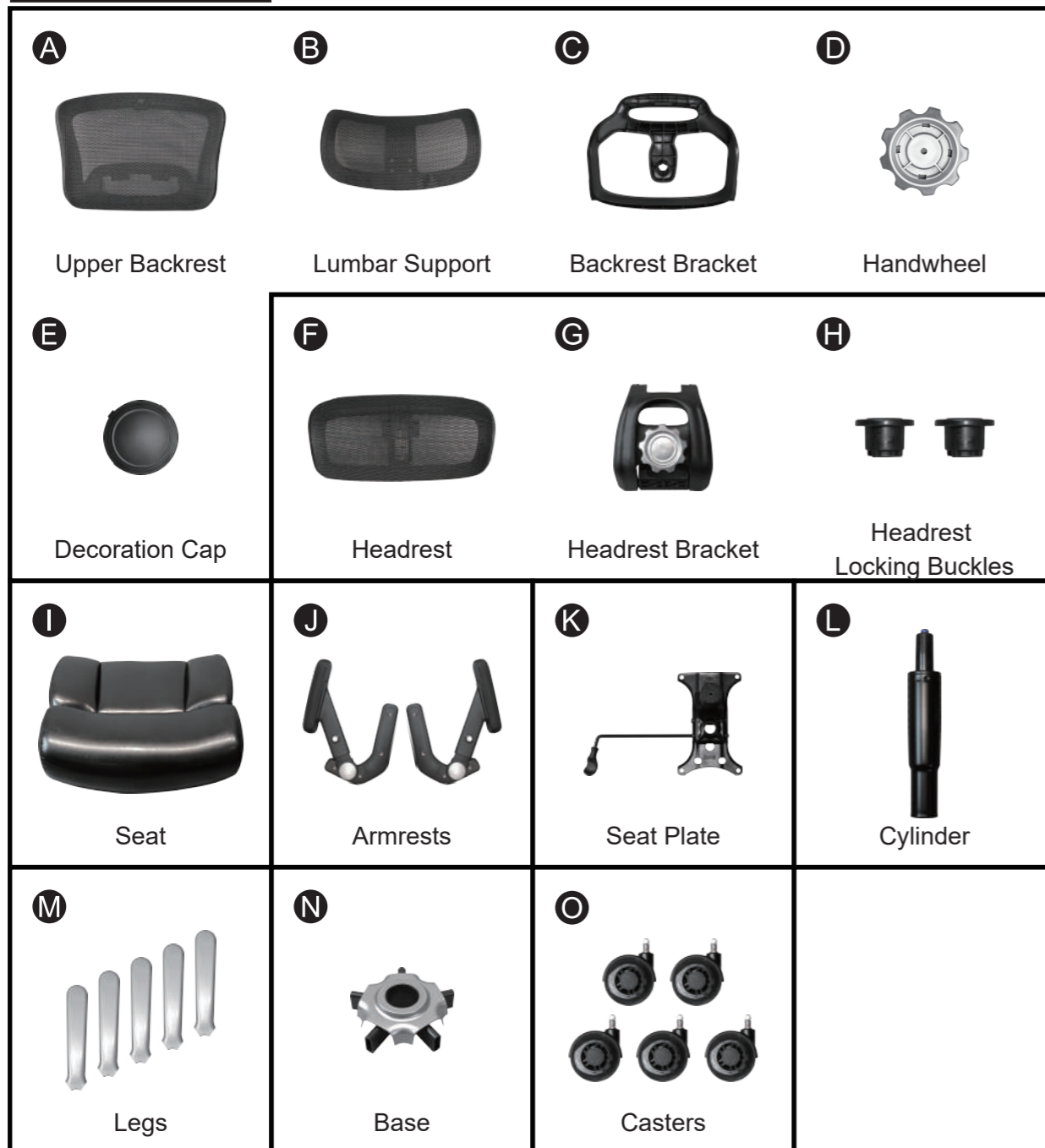


Search "JX666 Office Chair" on YouTube Or through the link

<https://youtu.be/C90OzwlhEic>

find the installation video to make your installation more convenient.

Components



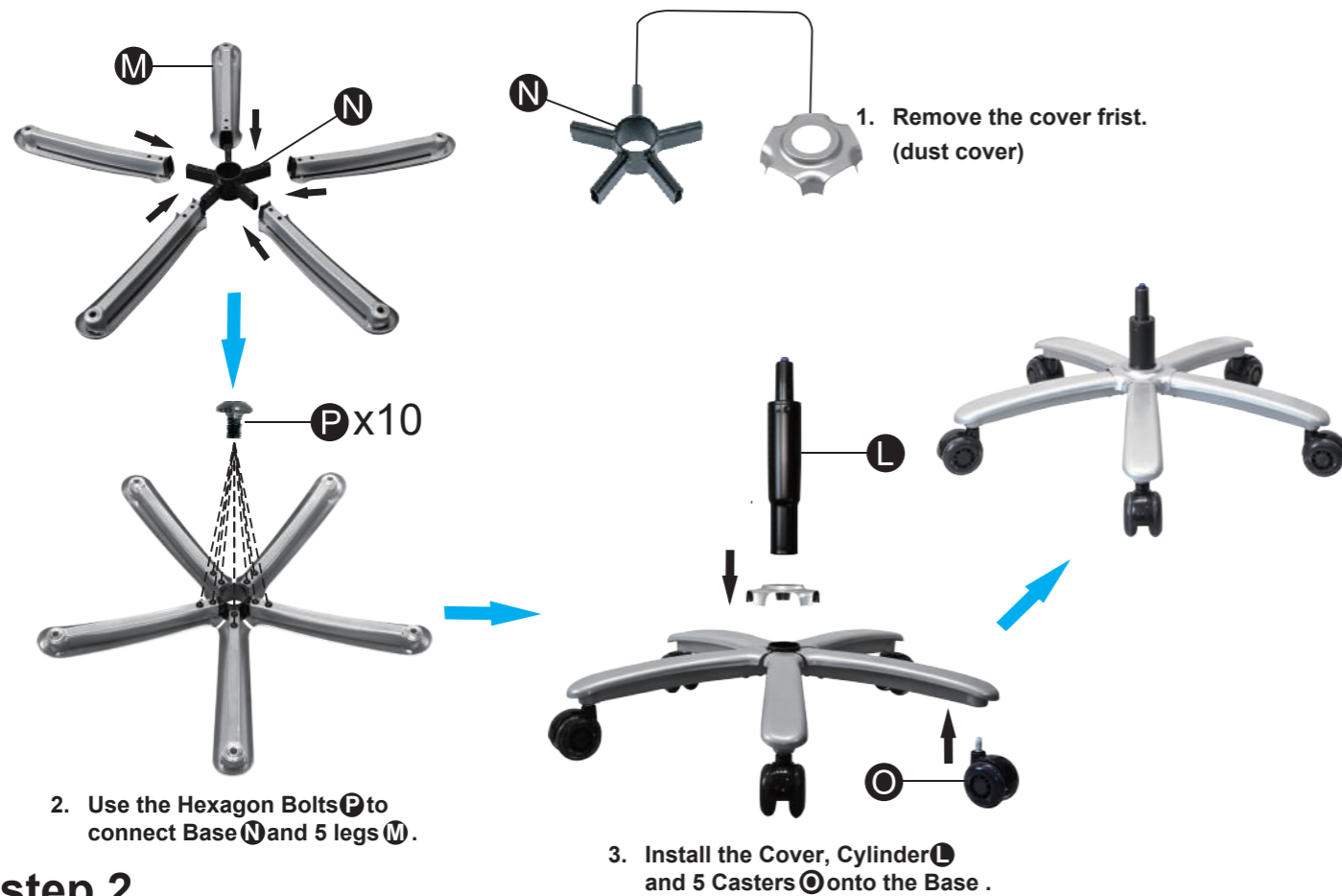
A1

B2

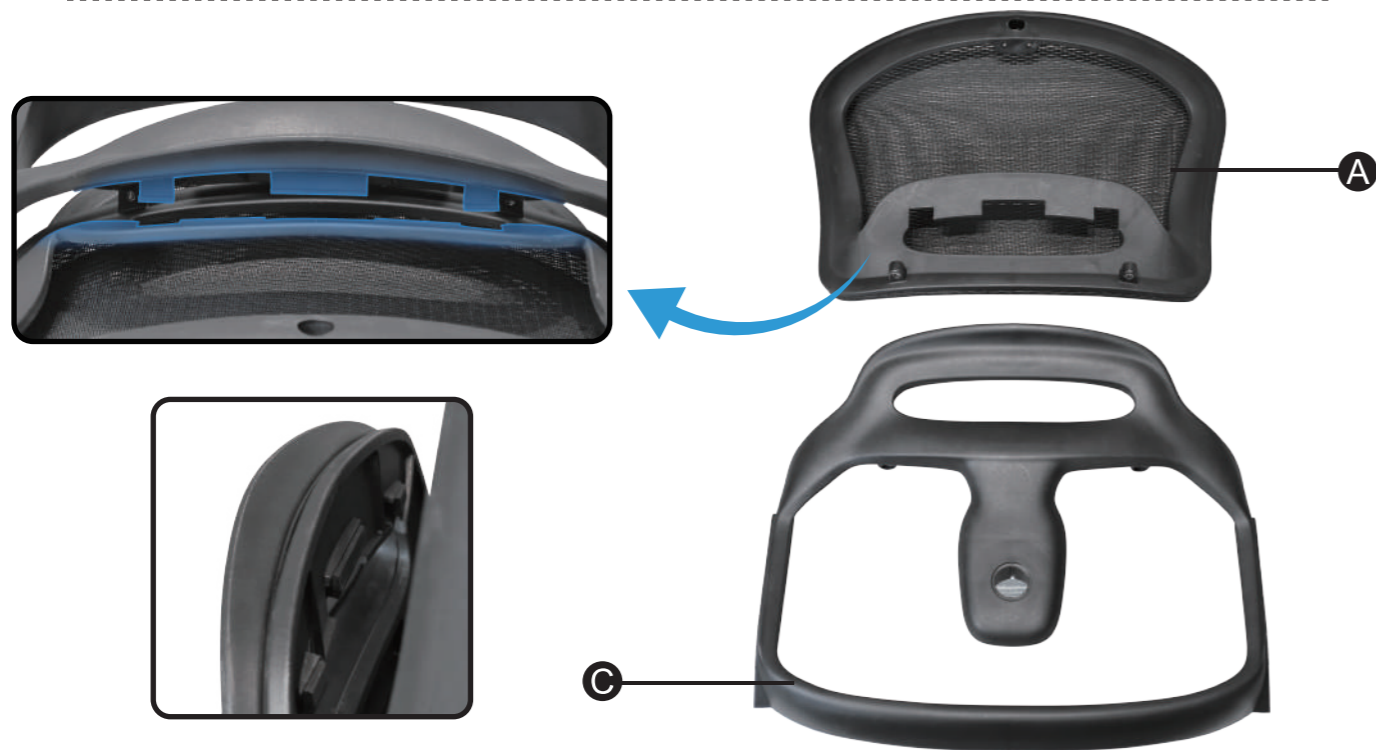
ITEM	DESCRIPTION	QUANTITY
A	Upper Backrest	1
B	Lumbar Support	1
C	Backrest Bracket	1
D	Handwheel	1
E	Decoration Cap	1
F	Headrest	1
G	Headrest Bracket	1
H	Headrest Locking Buckle	2
I	Seat	1
J	Armrest	2
K	Seat Plate	1
L	Cylinder	1
M	Leg	5
N	Base	1
O	Caster	5
P	(Screw)m6x18mm	12
Q	(Screw)m6x20mm	1
R	(Screw)m6x25mm	4
S	(Screw)m8x25mm	8
T	(Screw)m8x35mm	4
U	Decoration Cap	8
V	Hex Wrench	1



step 1.



step 2.



step 3.



step 4.

1. First, assemble the Lumbar Support **B** with the Backrest Bracket **C** together.
2. Second, install the Handwheel **D** on the screw hole.
3. Third, secure them with Hexagonal Bolt **Q**.
4. Finally, fasten the Decoration Cap **E**.



step 5.



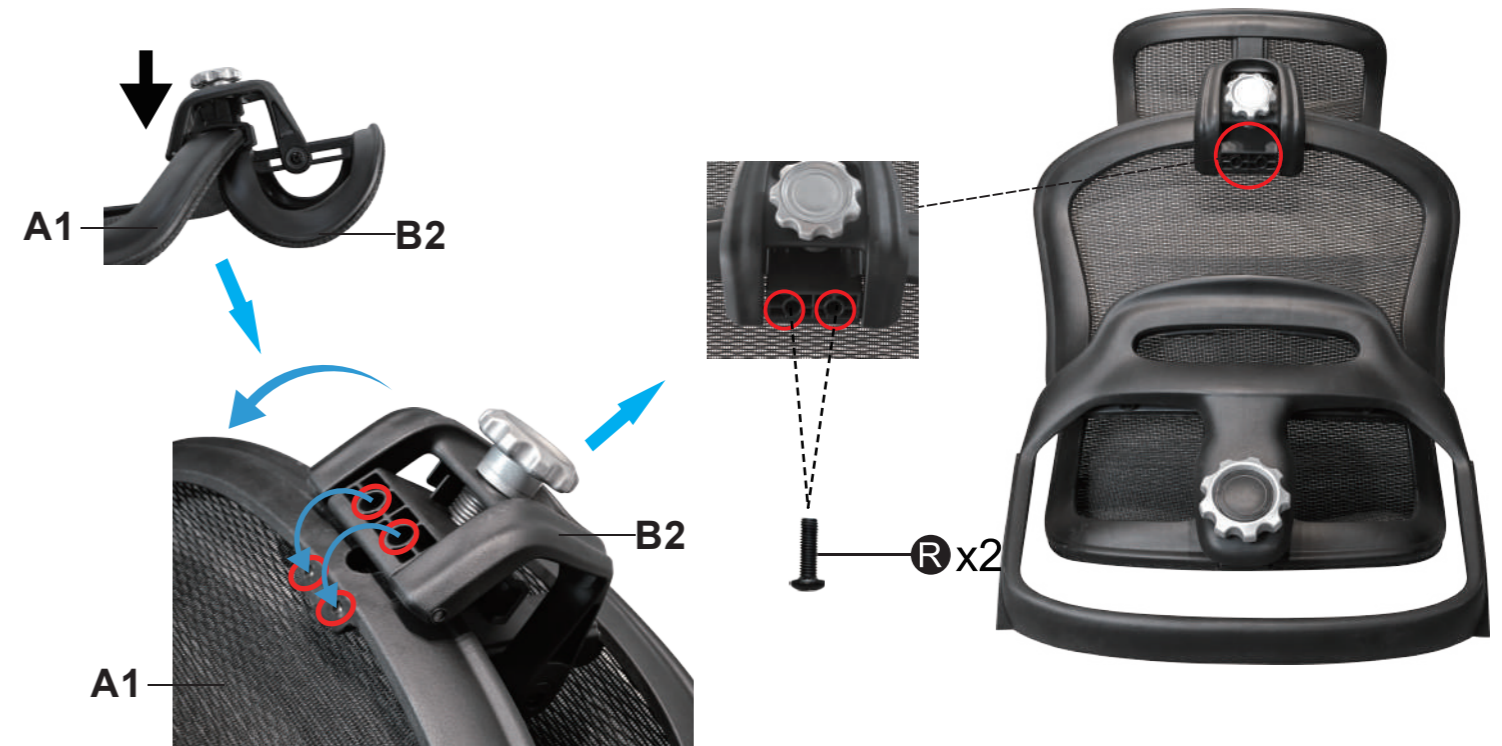
Assemble the Headrest Bracket (G) and the Headrest (F) together.

step 6.



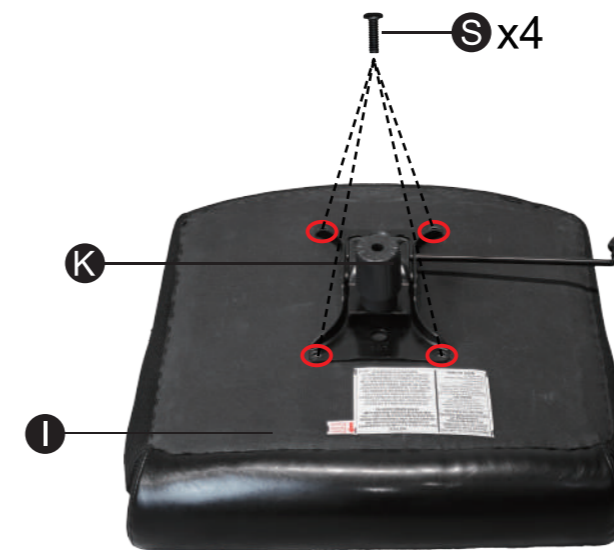
1. First install the Headrest Locking Buckles (H) on the screw holes.
2. Then, Secure them with Hexagonal Bolts (P).

step 7.



Use the Hexagonal Bolts (R) to connect Headrest and Backrest.

step 8.



Use the Hexagonal Bolts (S) to connect Seat Plate (K) and Seat (L).

Tip:
When installing the seat cushion and armrests backrests, the screws cannot be tightened. Tighten them 50% first, and then tighten them after everything is installed.

step 9.



Connect the hole of Seat Plate to the Cylinder .



Use the Hexagon Bolts **T** to connect Armrests **J** and Seat.

step 10.



Put down the Bacerest .Use the Hexagon Bolts **S** to connect Backresst and Seat. (Install the upper screw holes first .Do not tighten the screws)

step 11.



Pull up the Backrest. Use Hexagonal Bolts **S** to connect Backrest and Seat. (Install the lower screw holes and finally tighten all screws)

step 12.



Install the Decoration Caps **U** to the screw holes of the armrests.

Function

Adjustable Armrest:
The armrest can be flipped up 90 degrees for easy storage, or press the button to adjust armrest height, adjustable height range of 1.57 inches.

Rocking Mode:
Pull out the lever to enter rocking mode with the backrest. Push in the lever to lock the backrest to 90°

Adjustable Height
An adjustable height range of 4.72 inches, support shoulder & back relaxation. You can adjust the height by pulling up on the prope lever if you are already in the chair.



Q&A

- Q:** How to adjust the seat height?
- A:** When you sit on the chair. To raise the seat height, please lift your body slightly while lifting the adjustment lever. To lower the seat height, please increase the pressure down on your body while lifting the adjustment lever.
- Q:** How to adjust the tightness of the backrest?
- A:** When you are taking a rest. Loosen the tension knob (under the seat), pull out the adjustment lever, and you can turn on the rocking mode. Lean back, and the backrest angle swings from 90° to 125°.
- When you are working, you can push in the adjustment lever to lock, keeping the backrest angle at 90°
- Q:** If you feel the seat cushion is a little hard when you receive the chair.
- A:** Because of the compression of the packaging, there is gas inside the cushion, and you can press the cushion with your hands, and the cushion will become soft.