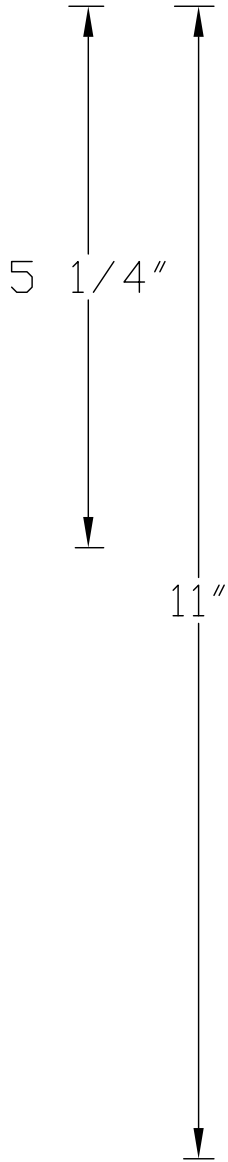
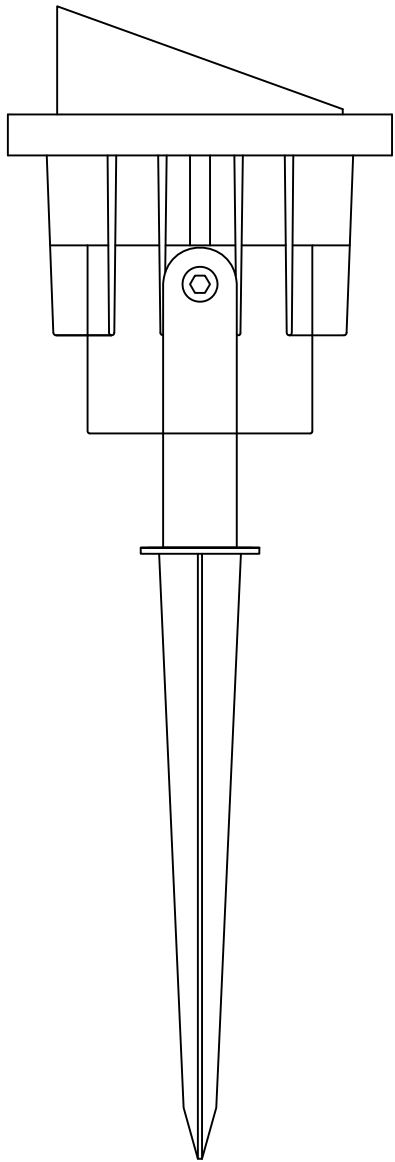
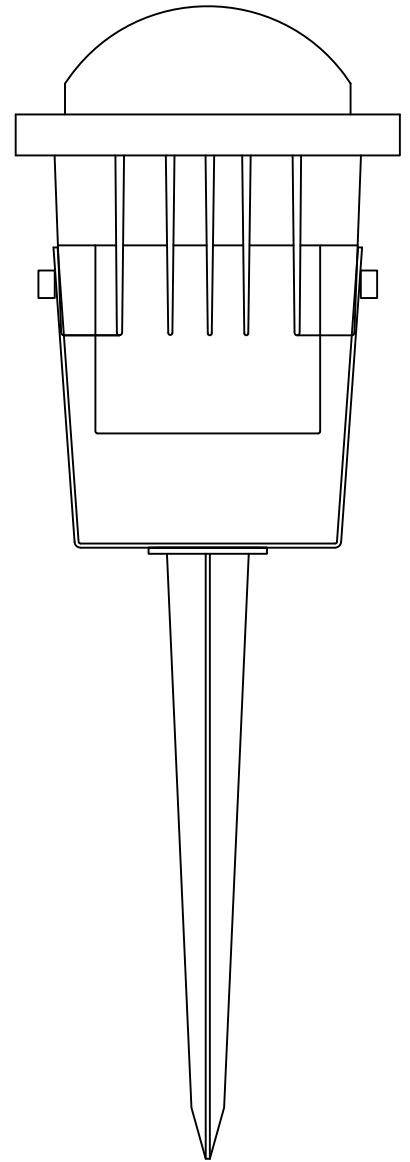


$\varnothing 3 \frac{3}{4}''$

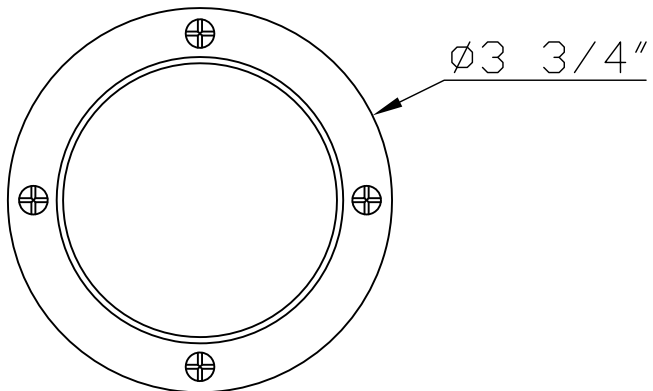


$\varnothing 3 \frac{3}{4}''$



FRONT VIEW

SIDE VIEW



TOP VIEW