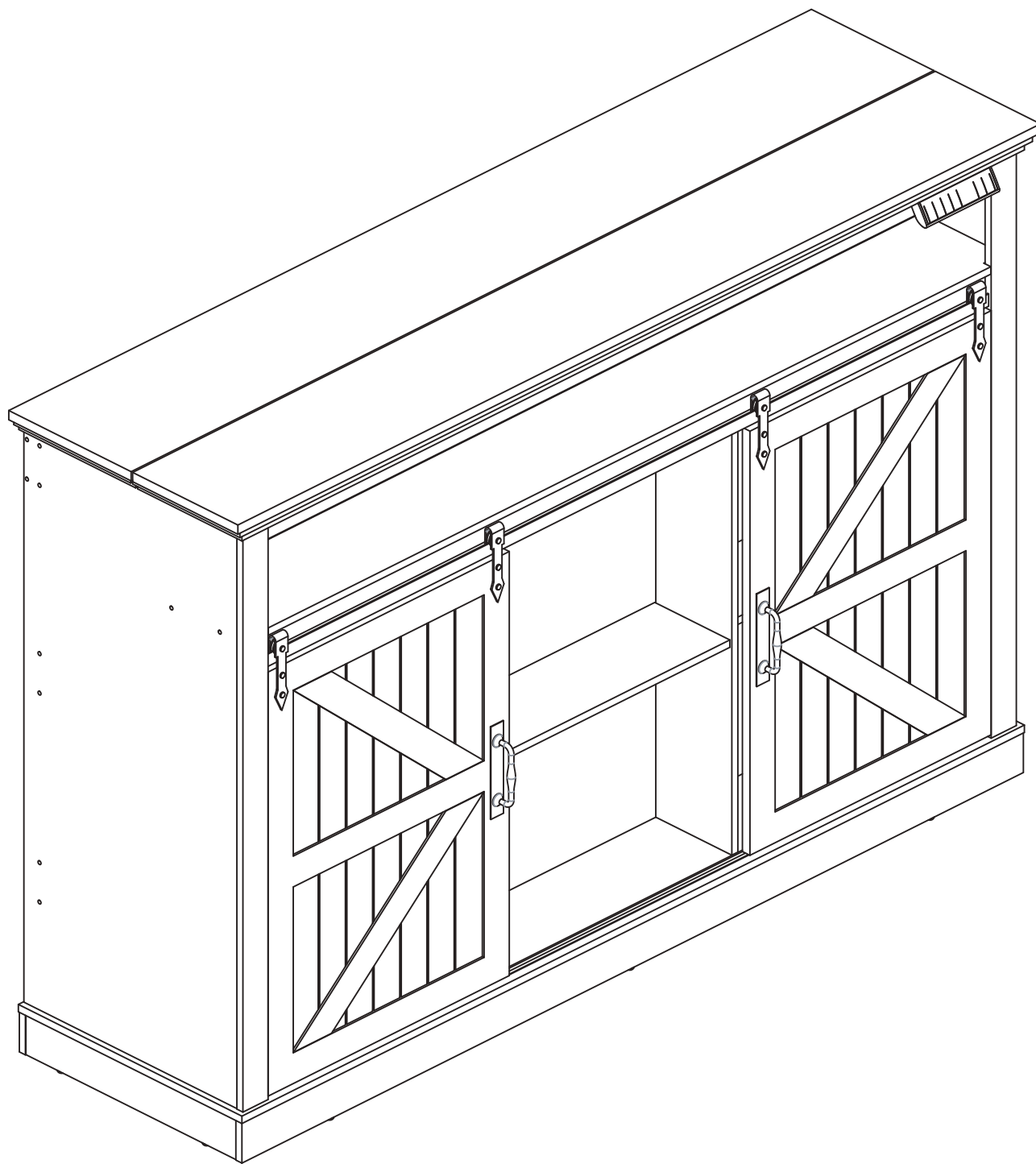


# TV stand

## User Manual



**AJ-DJ505001**

**⚠ Please read this instruction manual carefully before using the product**

# Work Uniquely Play Unbound

Installation takes  x 2~4hour

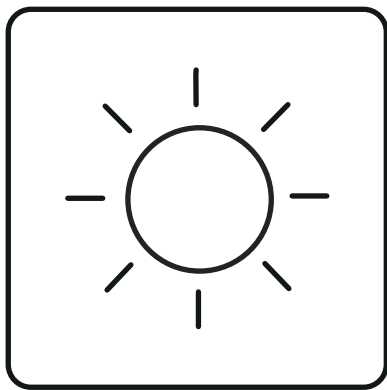
# Package Contents

Plates and  
iron components

Assembly tool kit

Instruction manual

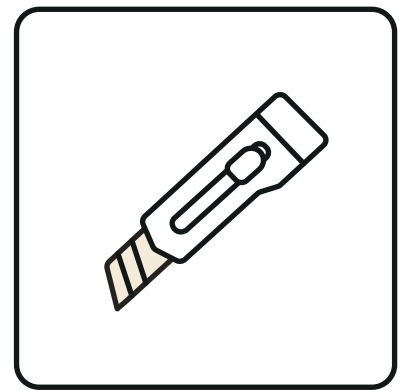
## ⚠ Precautions



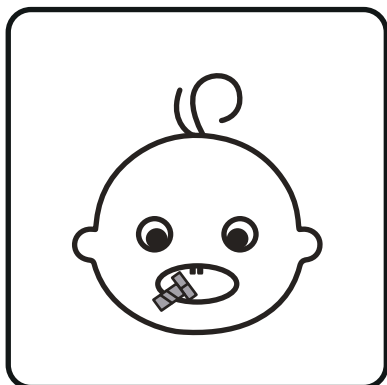
1. Avoid extended periods of direct sunlight exposure.



2. Stay away from fire.



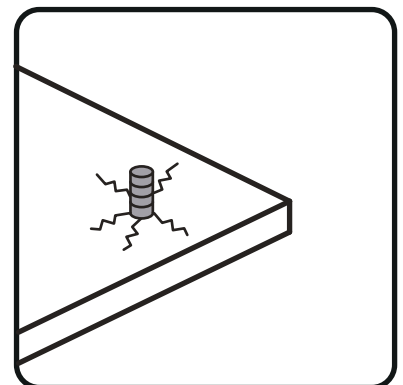
3. Keep away from sharp objects.



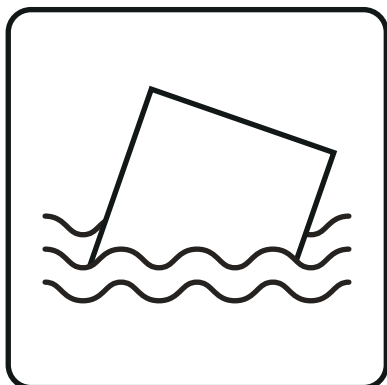
4. Keep infants and children away from assembly parts to avoid choking and suffocation.



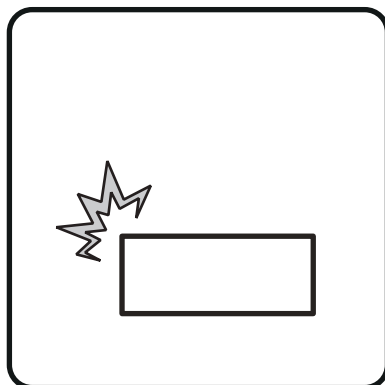
5. Keep away from corrosive substances.



6. Pay attention to avoid over-tightening fasteners, as they may cause cracking within the board.



7. Prevent objects from being damaged by immersion in water.



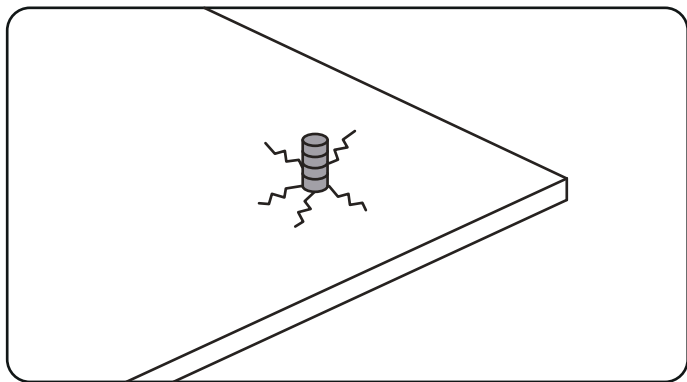
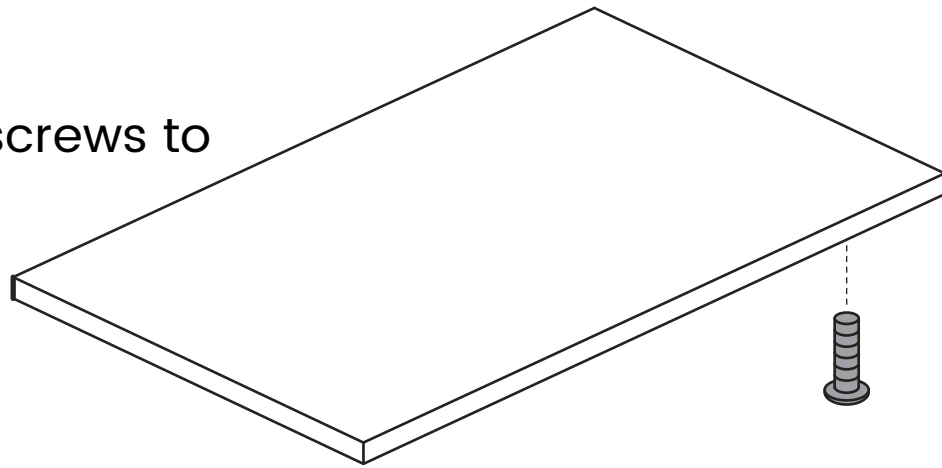
8. Prevent object collision and damage.



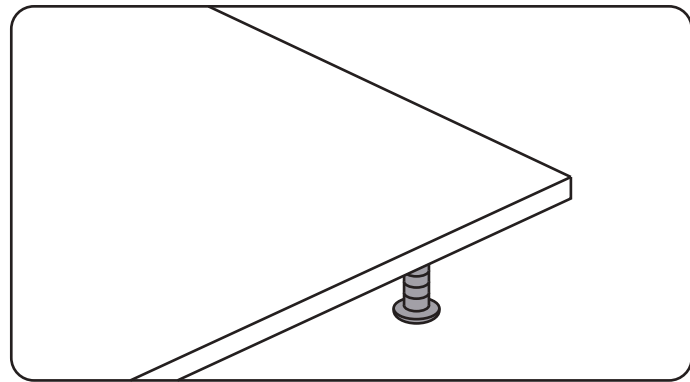
9. Be careful to avoid collisions.

## ⚠ Installation of Cams and Pins

Be sure to use the proper screws to avoid damaging the parts



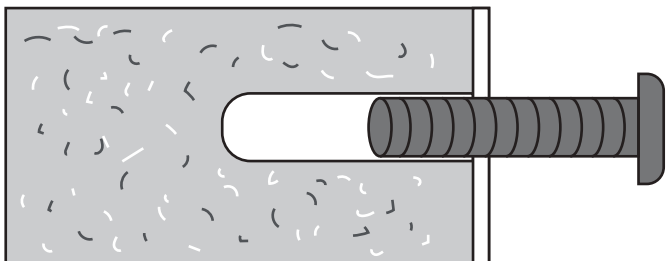
Wrong screws can cause the plank to crack



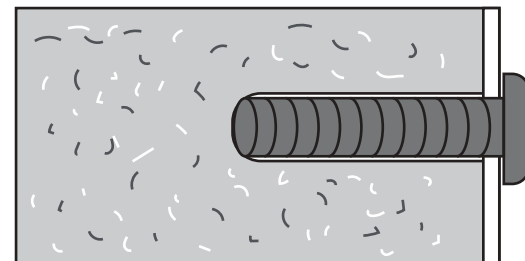
The right screw is the right size

## ⚠ Matters needing attention

1. When installing the screws in the installation step, the screws do not need to be tightened.

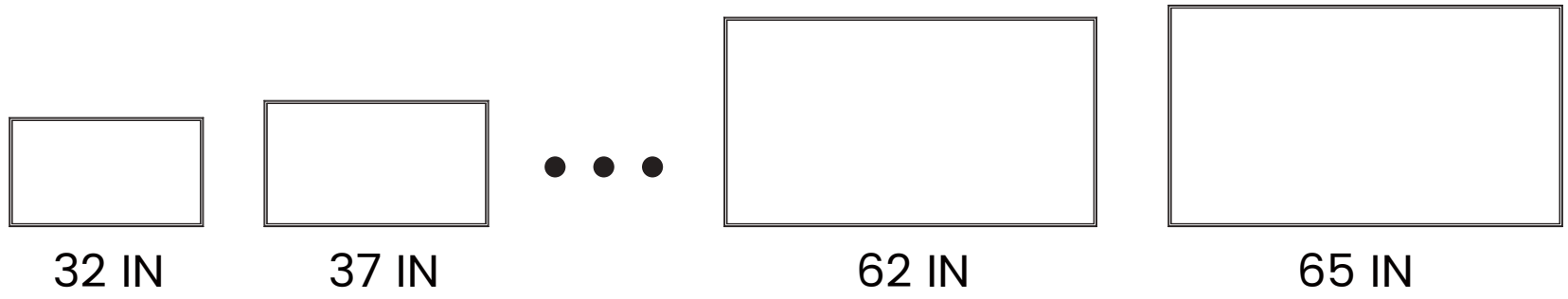


2. After this installation step is confirmed and the holes are aligned, then tighten all the screws.

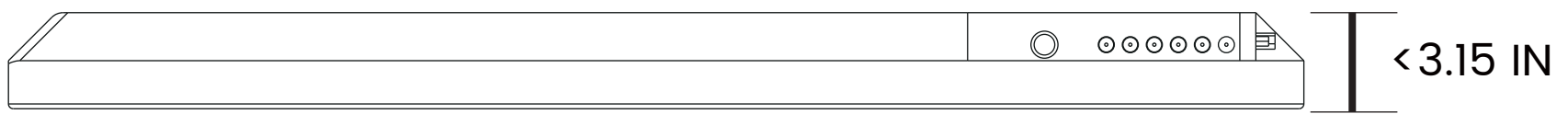


3. If the screws are tightened during the installation process, it will cause problems such as misalignment of the screw holes and misalignment of the board in subsequent installations

## ⚠ TV size specifications



The model and size of this product that can accommodate a TV are:32IN~65IN



What is the thickness size of this product that can accommodate a TV:<3.15IN

# Disassembly Diagram

## BOX A

⑨ x1   ⑩ x1   ⑪ x2   ⑫ x1   ⑰ x1   ⑱ x1   ⑲ x3   ⑳ x1  
㉑ x1   ㉒ x2   ㉓ x1   ㉔ x1   ㉕ x2   ㉖ x1   ㉗ x2

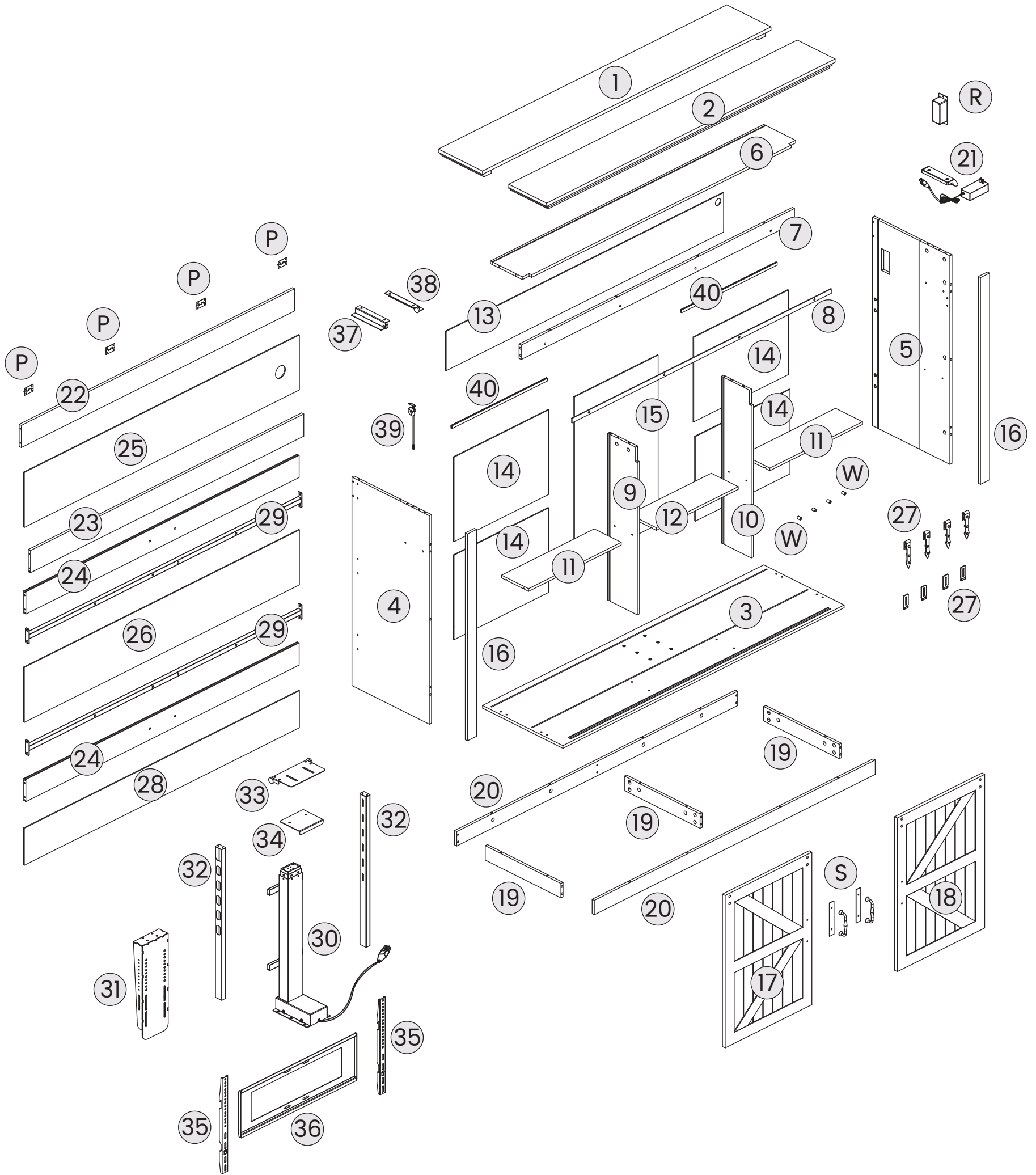
## ACCESSORY BOX

㉘ x1   ㉙ x4   ㉚ x1   ㉛ x1   ㉜ x1  
Ⓐ x3   Ⓑ x47   Ⓒ x5   Ⓓ x5   Ⓔ x31   Ⓕ x7   Ⓖ x5   Ⓗ x5  
Ⓘ x32   Ⓝ x3   Ⓞ x3   Ⓟ x14   Ⓠ x53   Ⓡ x53   Ⓢ x5   Ⓣ x4  
Ⓤ x14   Ⓥ x1   Ⓦ x2   Ⓧ x8   Ⓨ x2   Ⓩ x4   ⓐ x4   ⓑ x1  
Ⓕ x1   Ⓖ x1

## BOX B

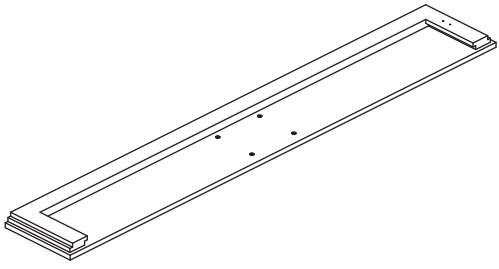
① x1   ② x1   ③ x1   ④ x1   ⑤ x1   ⑥ x1   ⑦ x1   ⑧ x1  
⑬ x1   ⑭ x4   ⑮ x1   ⑯ x2   ⑳ x2   ㉑ x1   ㉒ x1   ㉓ x2  
㉔ x1   ㉕ x1   ㉖ x1   ㉗ x2

# Disassembly Diagram

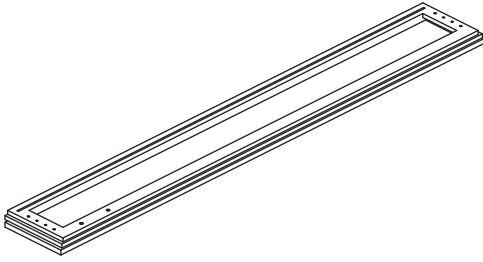


# Package Contents

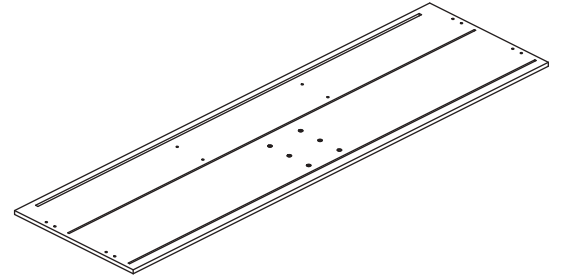
01



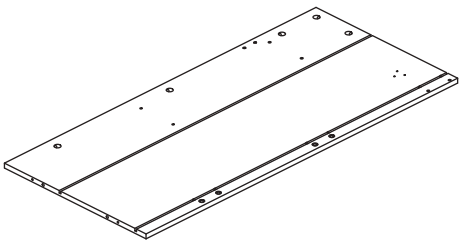
02



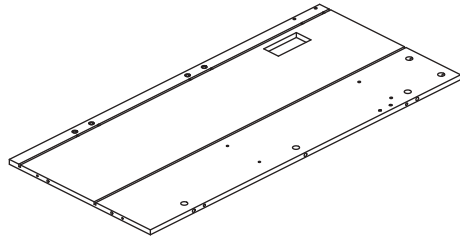
03



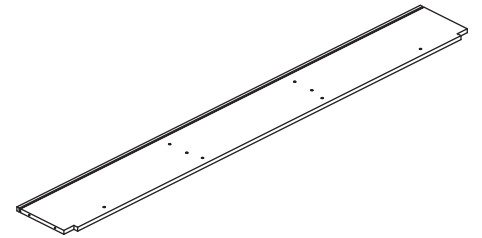
04



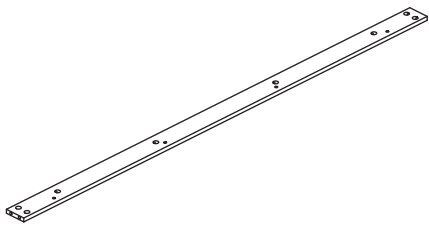
05



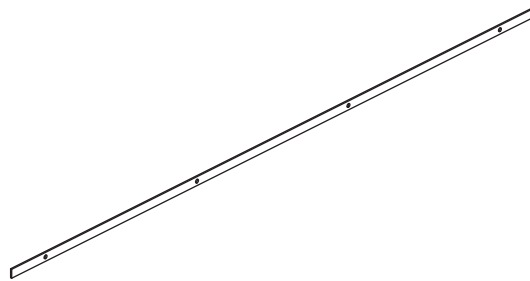
06



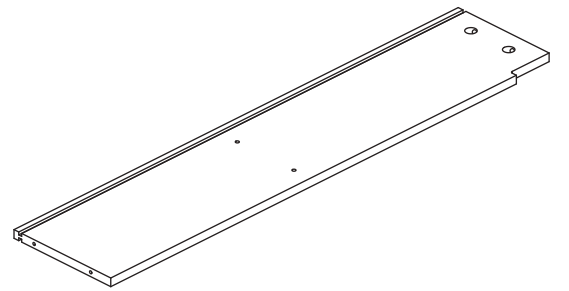
07



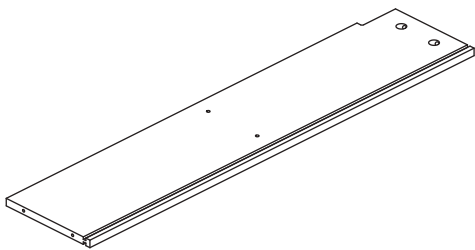
08



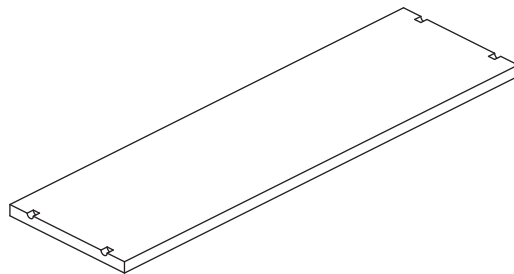
09



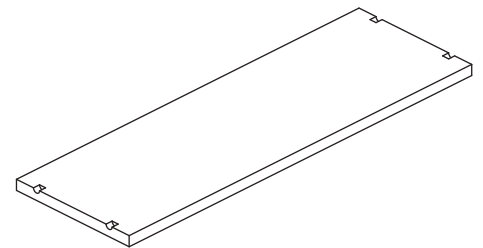
10



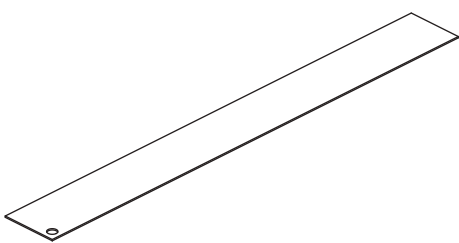
11 x2



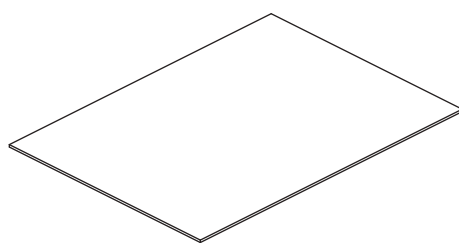
12



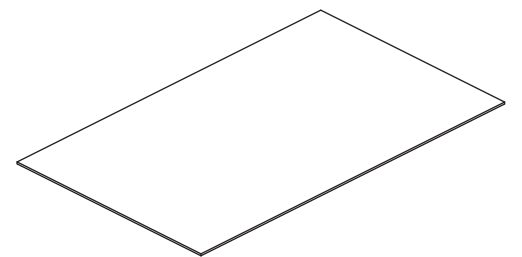
13



14 x4

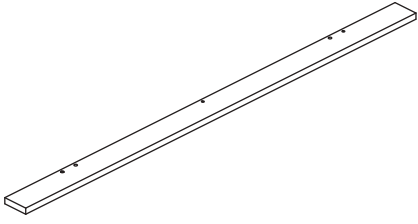


15

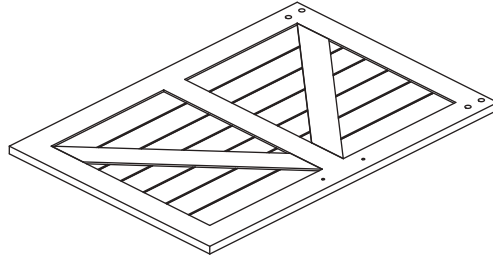


# Package Contents

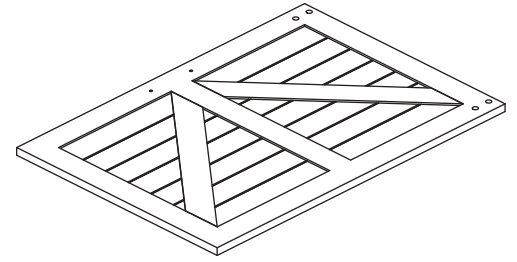
16 x2



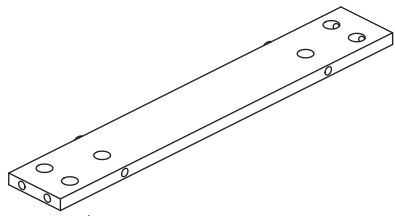
17



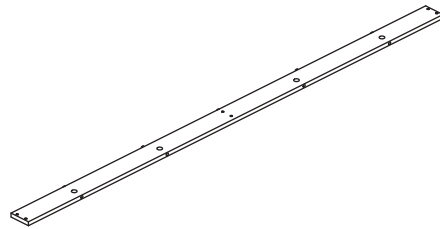
18



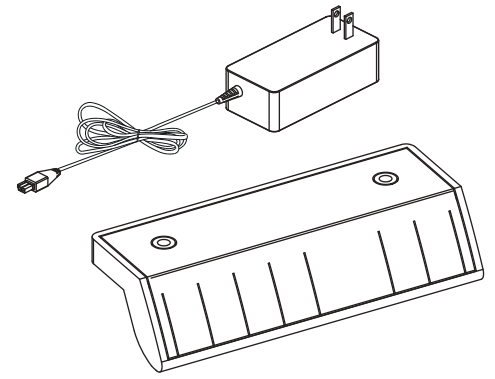
19 x3



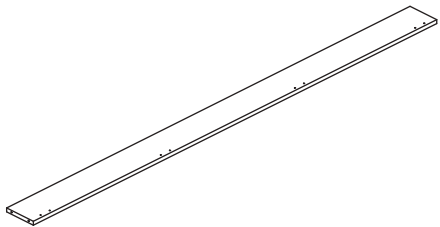
20 x2



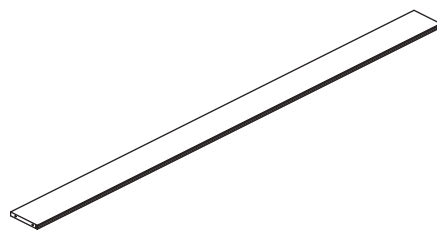
21



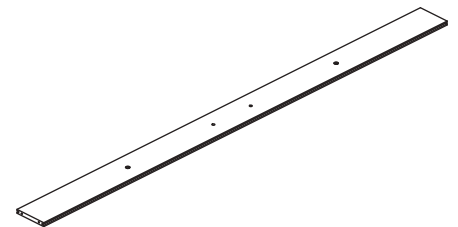
22



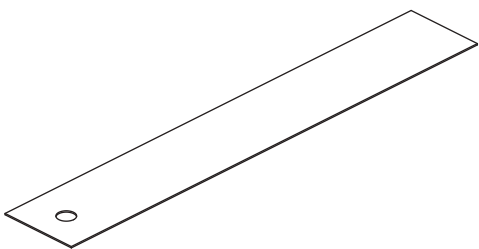
23



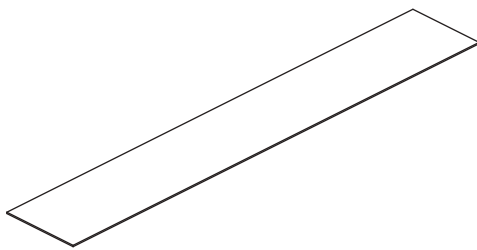
24 x2



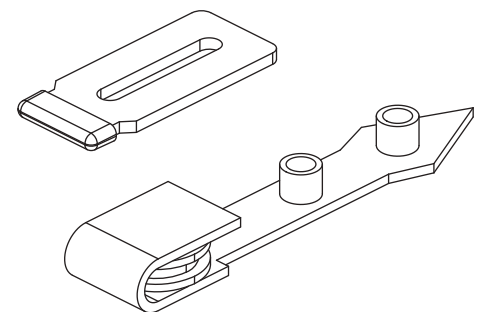
25



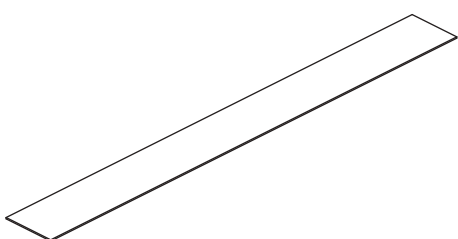
26



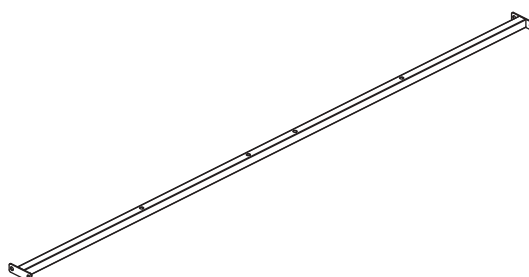
27 x4



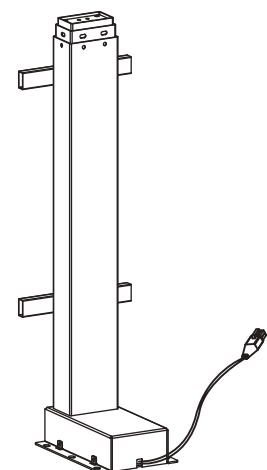
28



29 x2

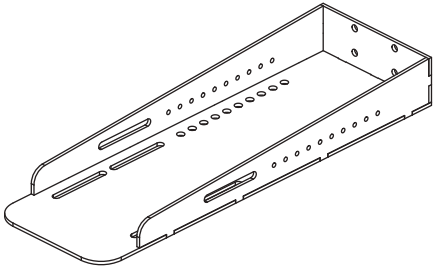


30

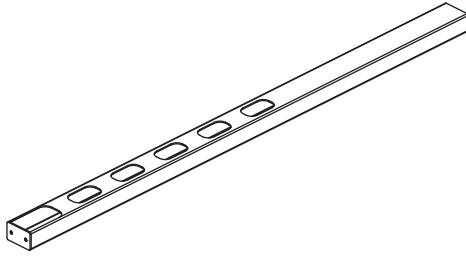


# Package Contents

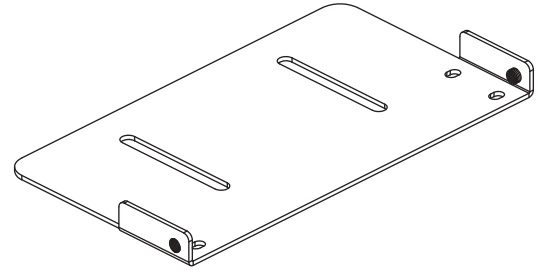
31



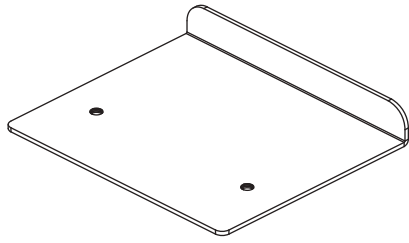
32 x2



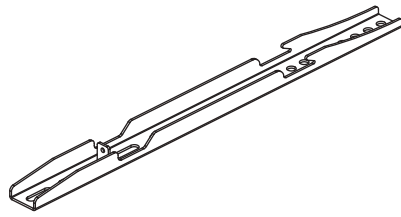
33



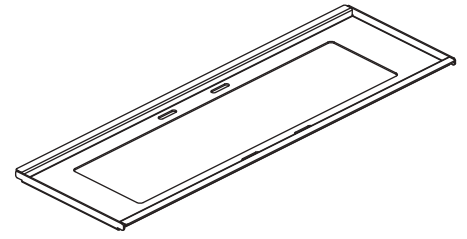
34



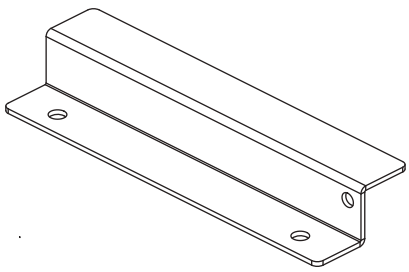
35 x2



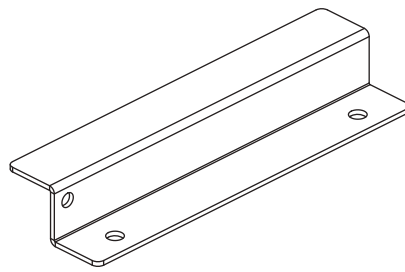
36



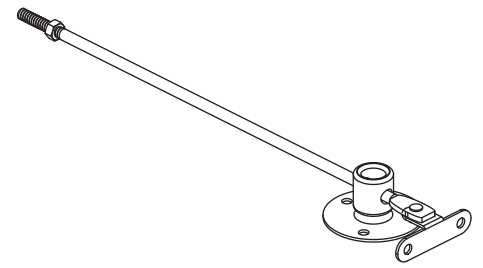
37



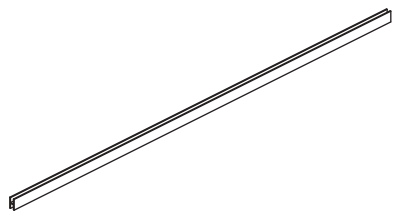
38



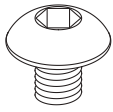
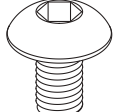
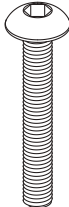
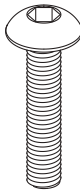
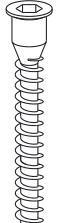
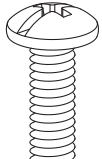
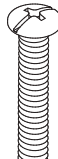
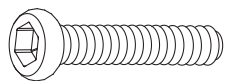
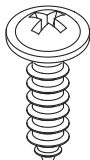
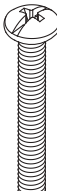




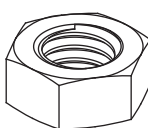
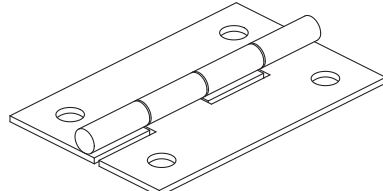
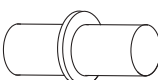
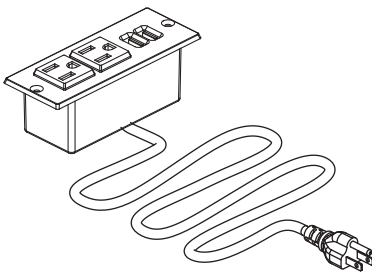
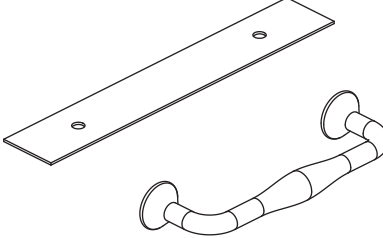
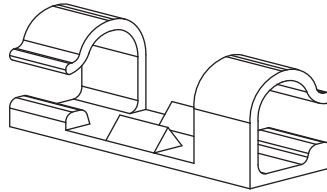
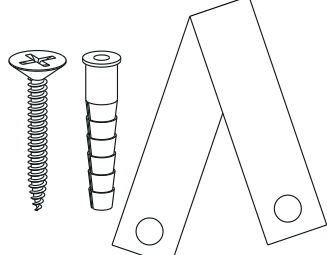
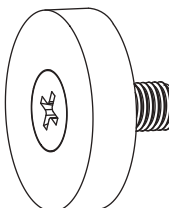
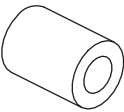
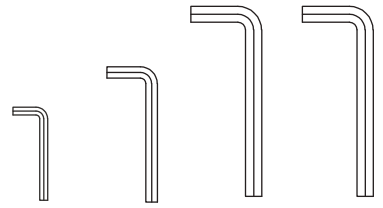
39



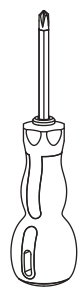
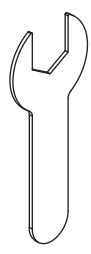
40 x2

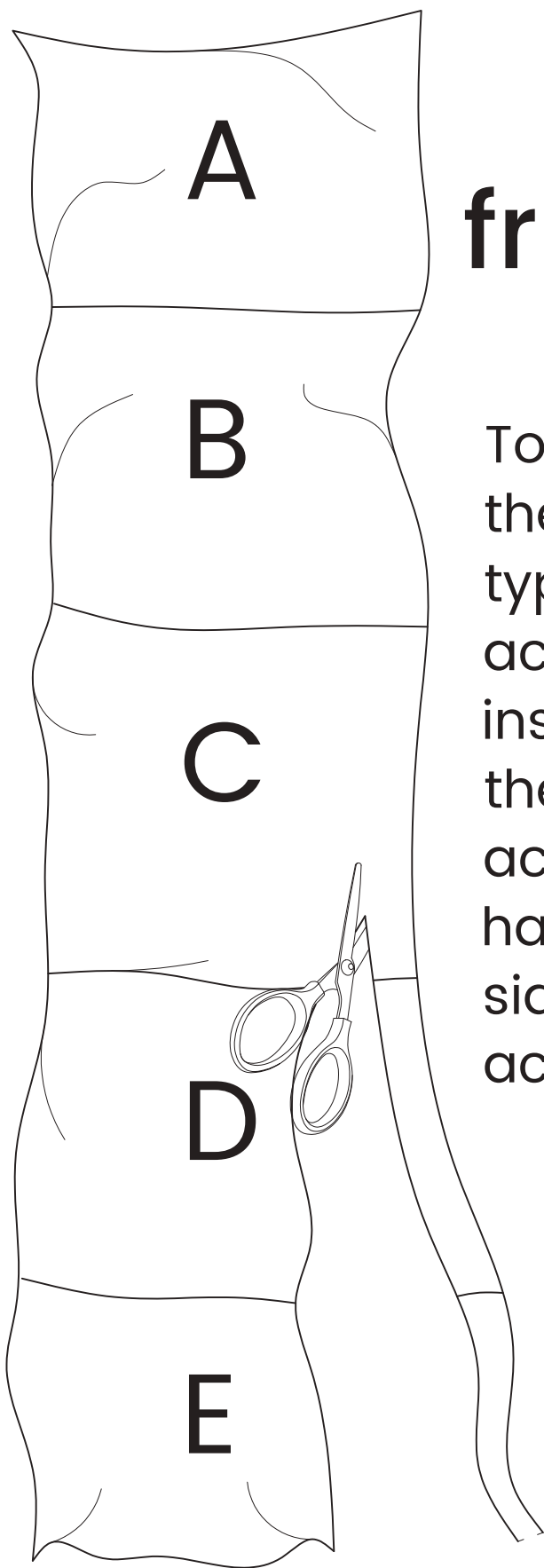
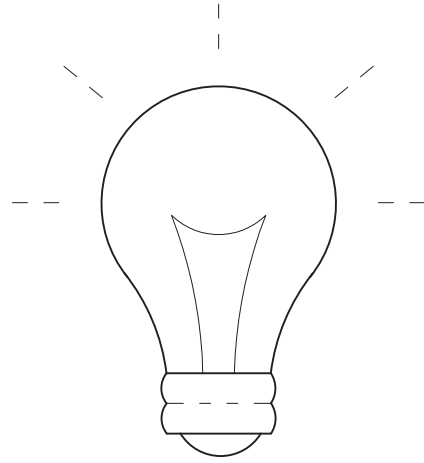


# Tool sheet

<p><b>A</b> x2+1</p>  <p>M6x6MM</p>	<p><b>B</b> x42+5</p>  <p>M6x12MM</p>	<p><b>C</b> x4+1</p>  <p>M6x40MM</p>	<p><b>D</b> x4+1</p>  <p>M6x28MM</p>
<p><b>E</b> x28+3</p>  <p>ST5x40MM</p>	<p><b>F</b> x6+1</p>  <p>M4x14MM</p>	<p><b>G</b> x4+1</p>  <p>M4x20MM</p>	<p><b>H</b> x4+1</p>  <p>M6x30MM</p>
<p><b>I</b> x29+3</p>  <p>ST4x12MM</p>	<p><b>J</b> x2+1</p>  <p>M4x35MM</p>	<p><b>K</b> x2+1</p>  <p>ST4x12MM</p>	<p><b>L</b> x12+2</p>  <p>Ø6x30MM</p>
<p><b>M</b> x48+5</p> 	<p><b>N</b> x48+5</p> 	<p><b>O</b> x4+1</p>  <p>M6</p>	<p><b>P</b> x4</p> 
<p><b>Q</b> x12+2</p>  <p>Ø5</p>	<p><b>R</b> x1</p> 	<p><b>S</b> x2</p> 	<p><b>T</b> x8</p> 
<p><b>U</b> x2</p> 	<p><b>V</b> x4</p> 	<p><b>W</b> x4</p> 	<p><b>X</b> x1</p>  <p>3# 4# 5# 5#</p>

# Tool sheet

<b>Y</b> x1 	<b>Z</b> x1 		

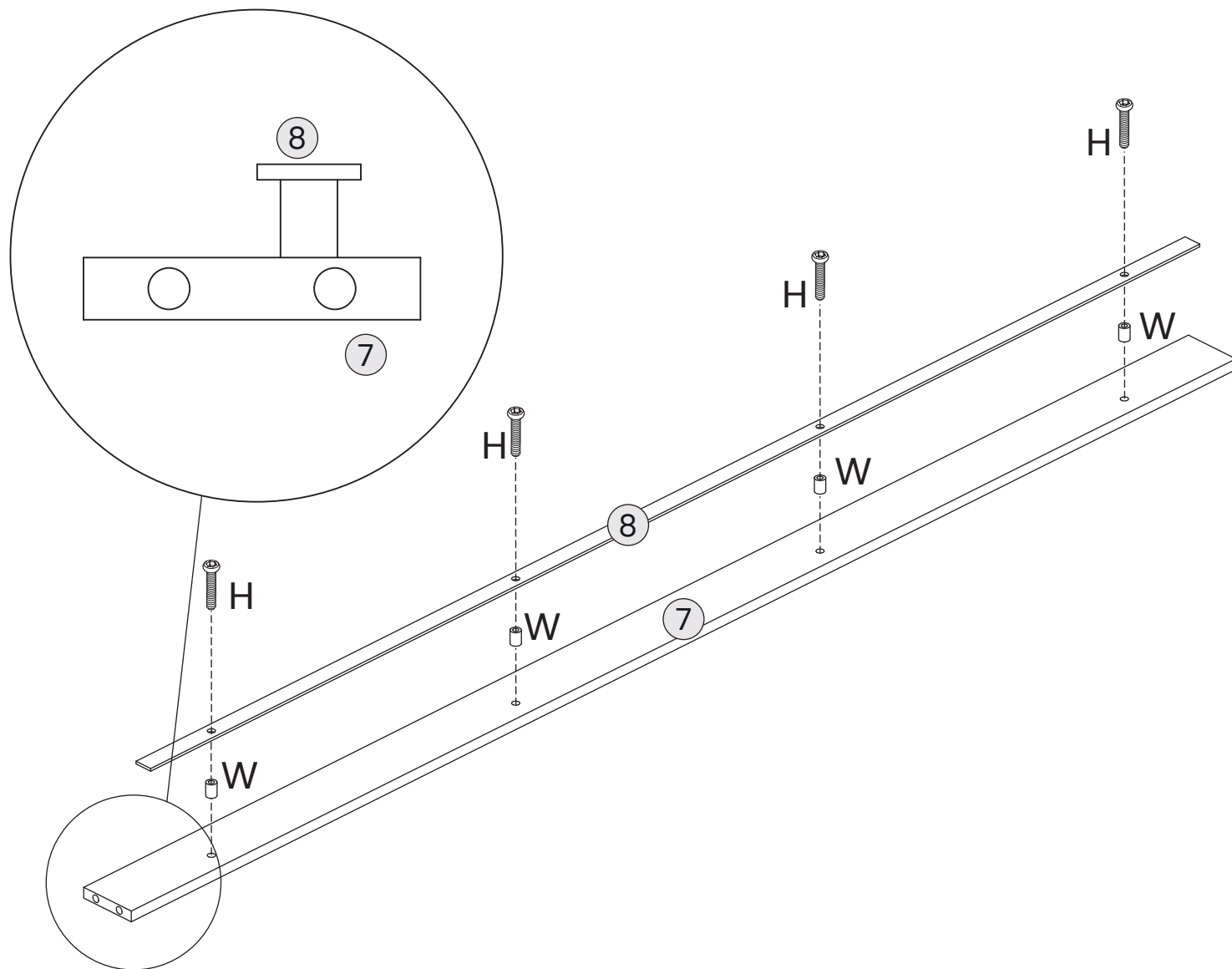


## friendly reminder

To avoid errors and confusion during the installation of accessories, use the type and quantity of hardware accessories according to the installation procedure described in the instructions. First, unroll the accessories bag and lay out the hardware accessories, cut holes in the side, and take out the hardware accessories

# Assembly Instruction

## 1

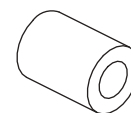


**Hx4**

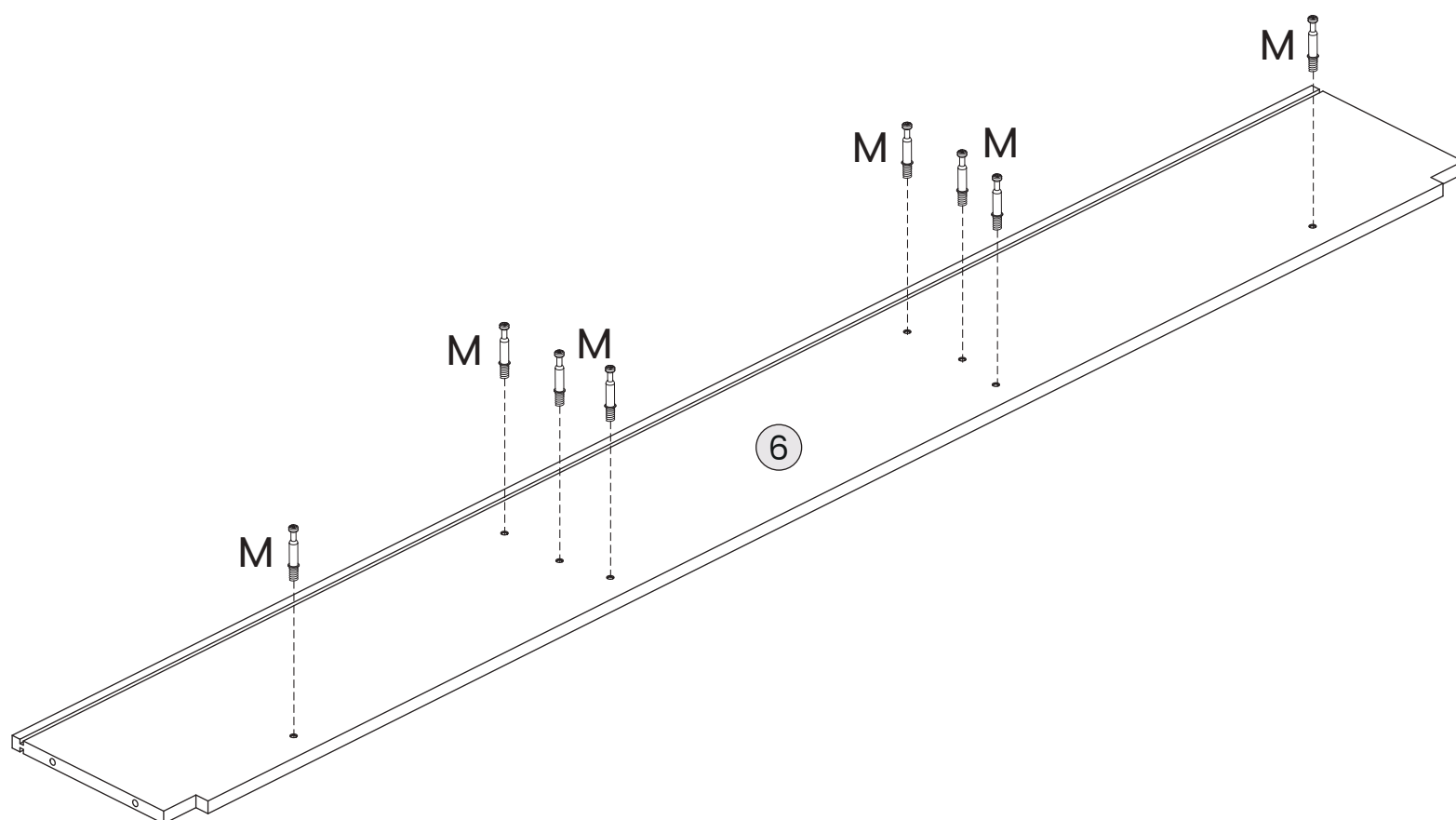


M6x30MM

**Wx4**



## 2



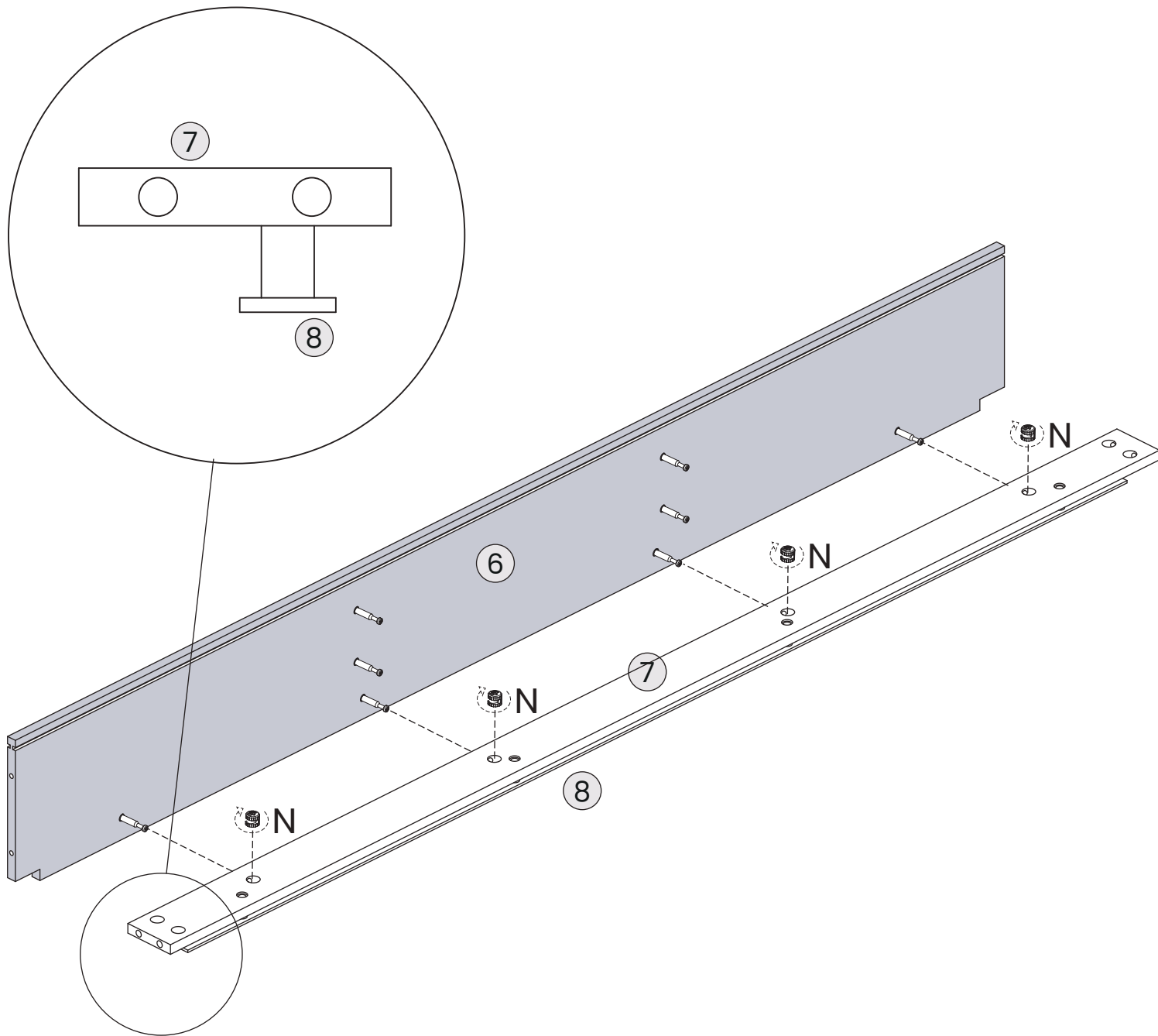
**Mx8**



# Assembly Instruction

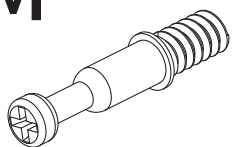
## 3

Nx4

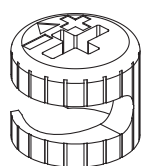


Installation instructions for eccentric rod

M

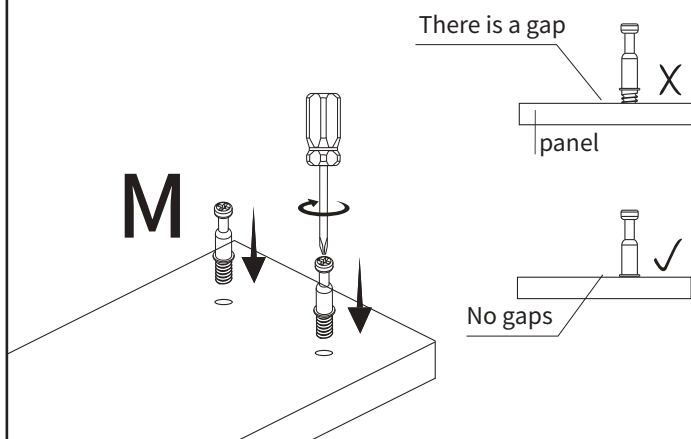


N

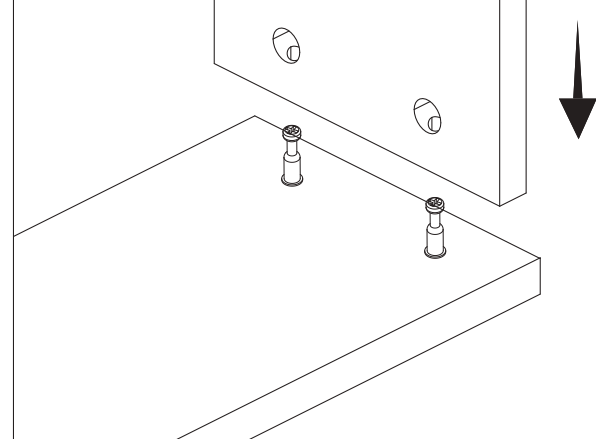


01

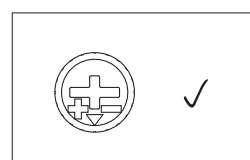
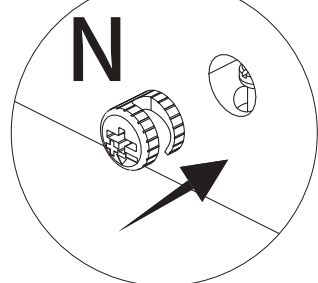
M



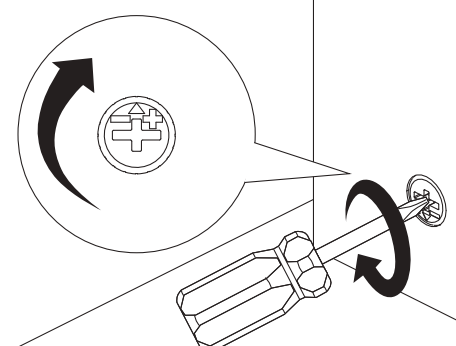
02



03

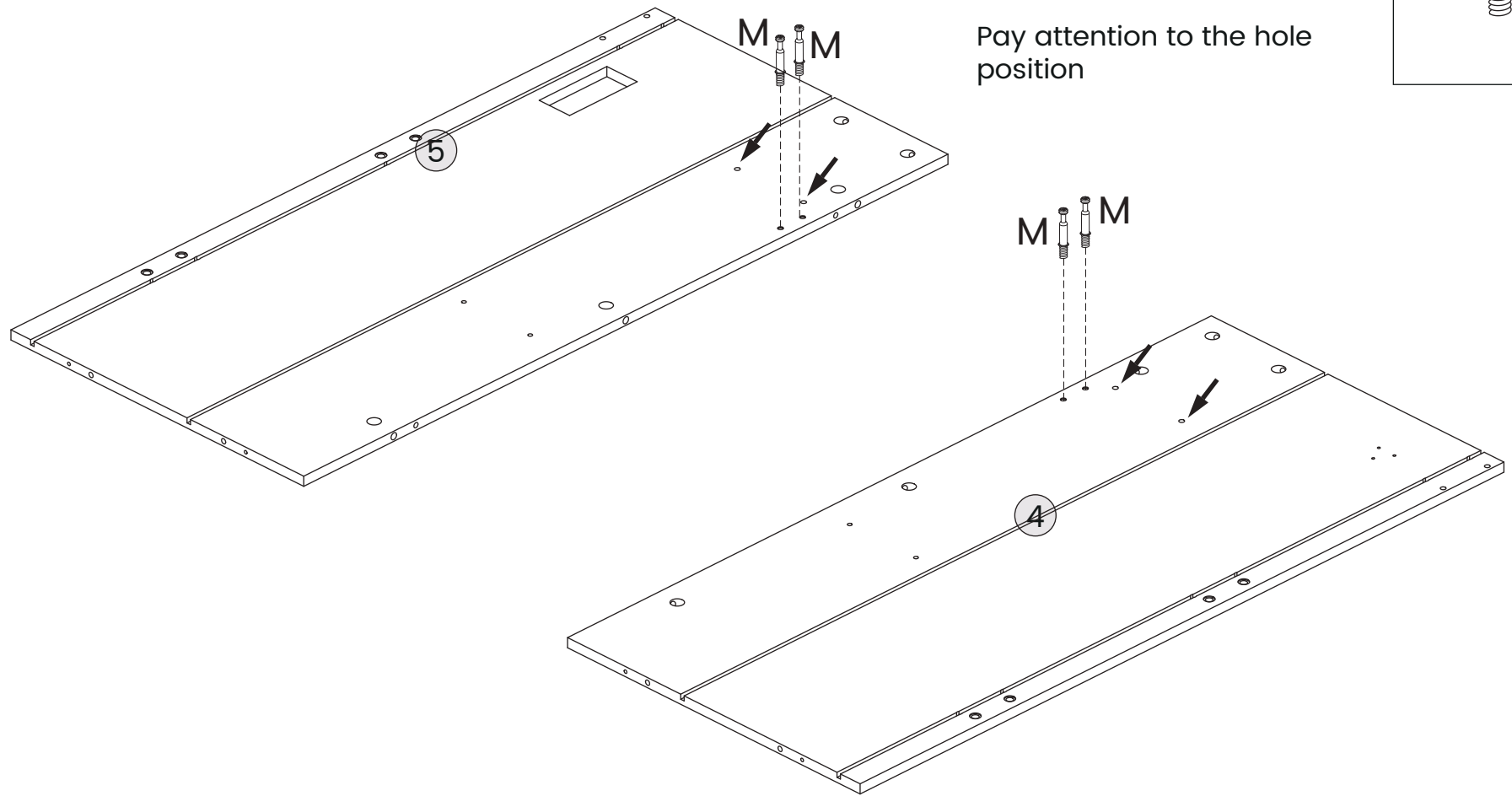


04



# Assembly Instruction

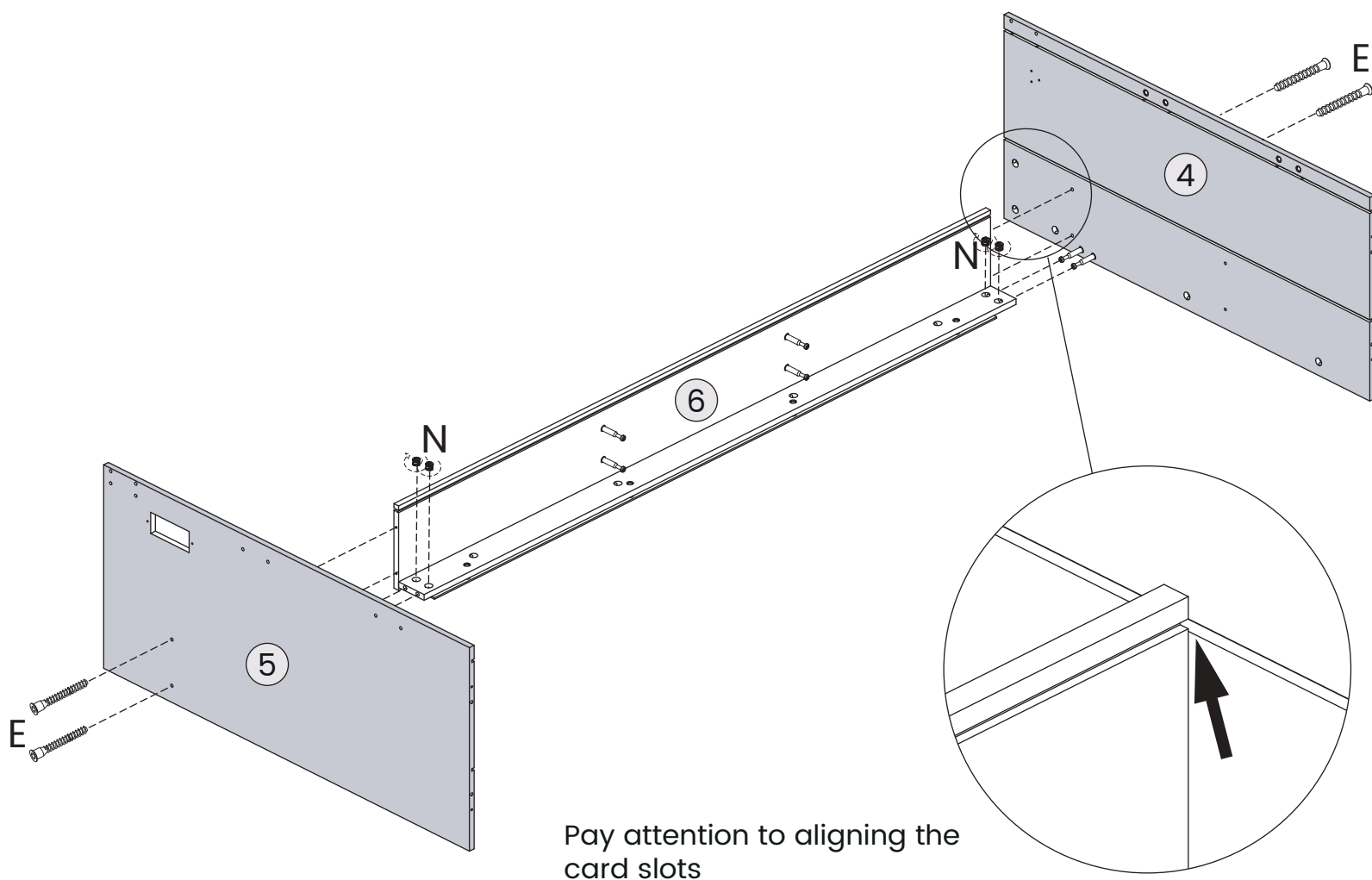
## 4



Mx4



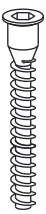
## 5



Nx4



E x4

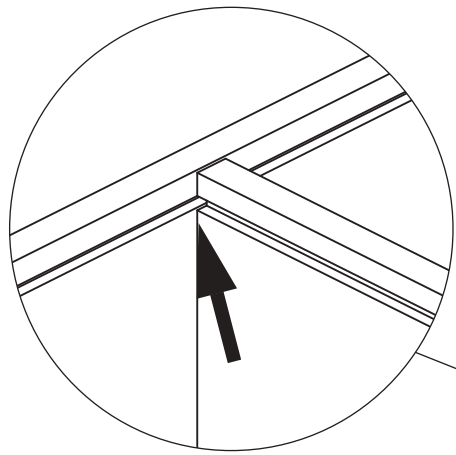


ST5X40MM

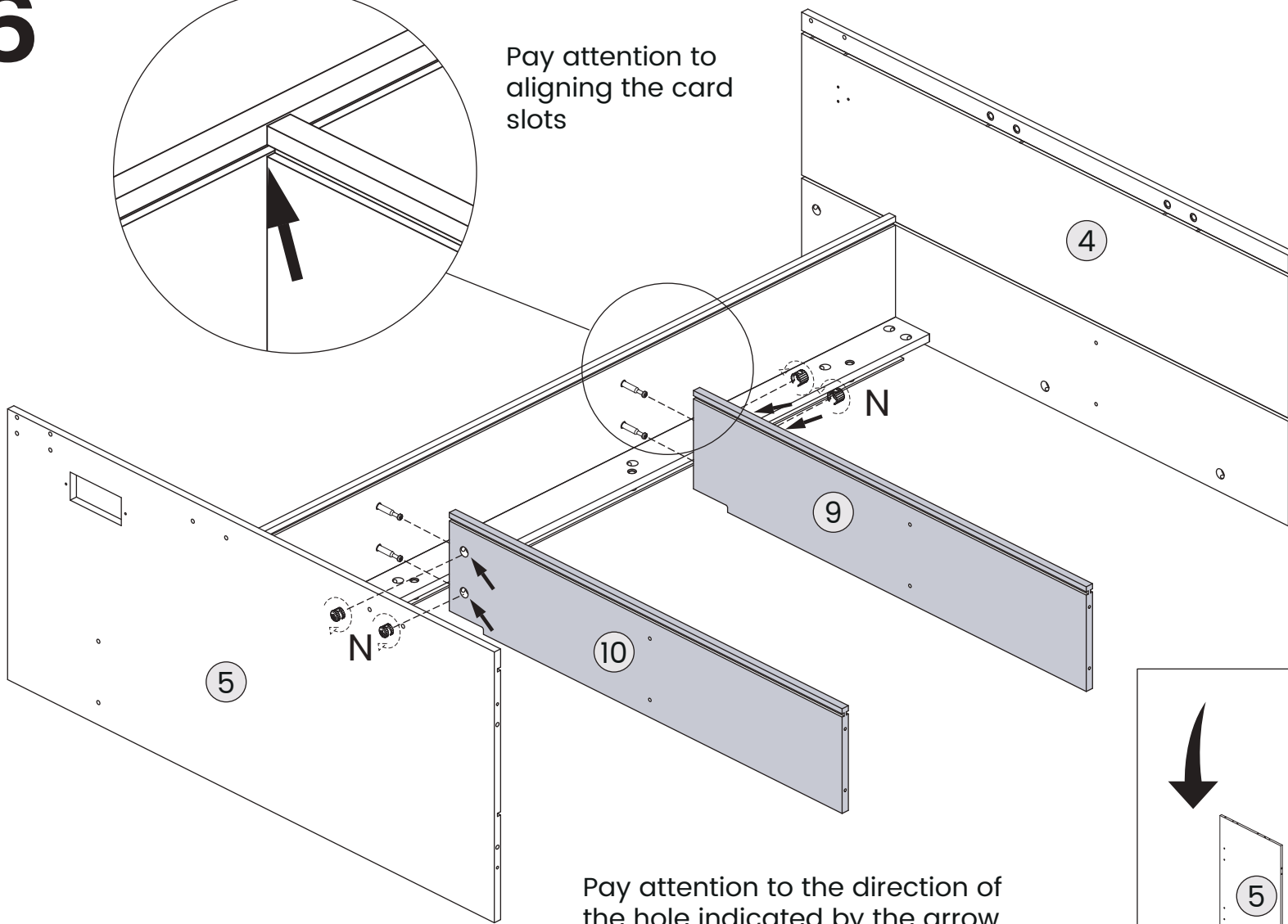
# Assembly Instruction

## 6

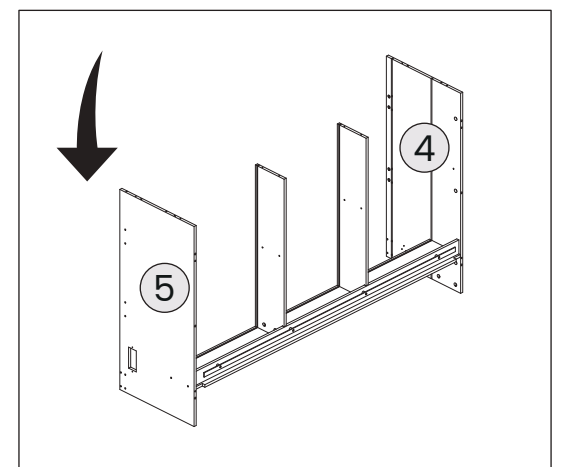
Nx4



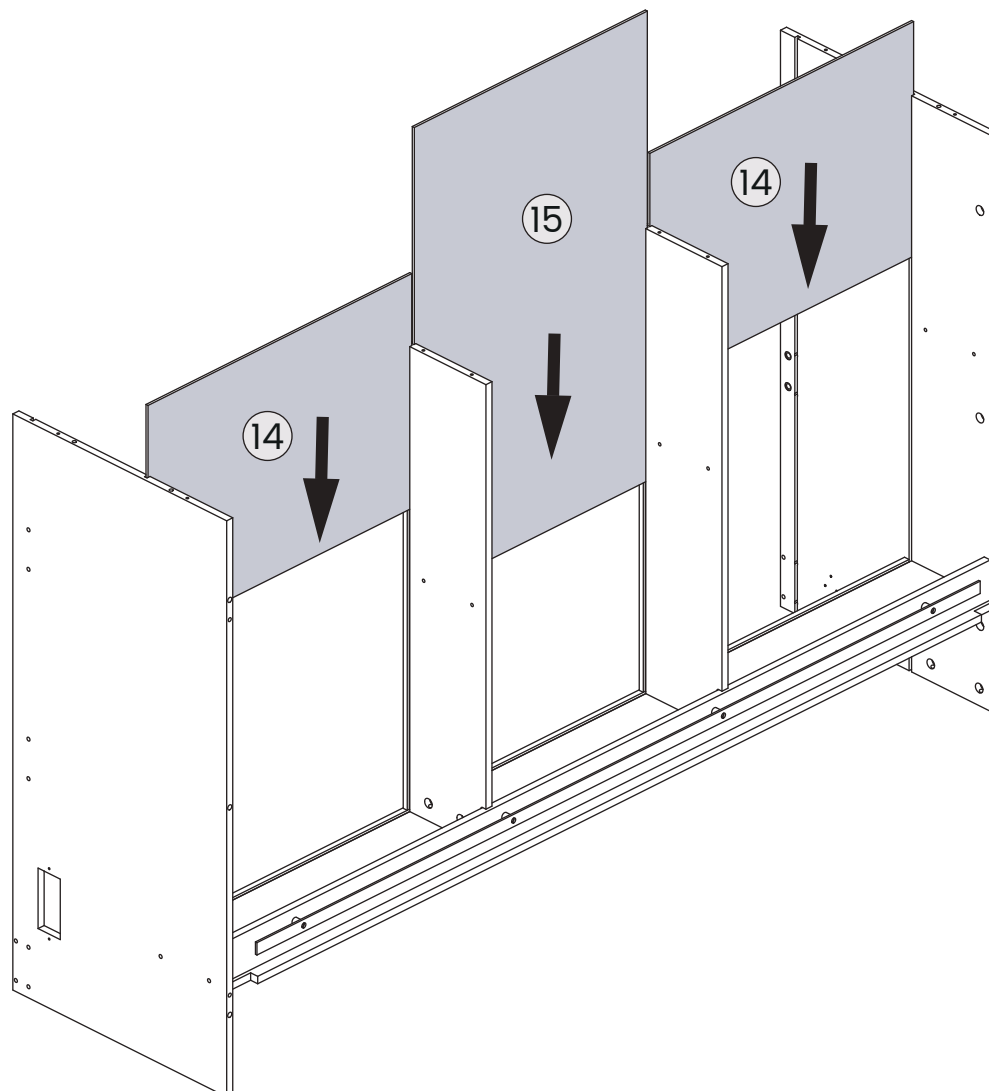
Pay attention to aligning the card slots



Pay attention to the direction of the hole indicated by the arrow

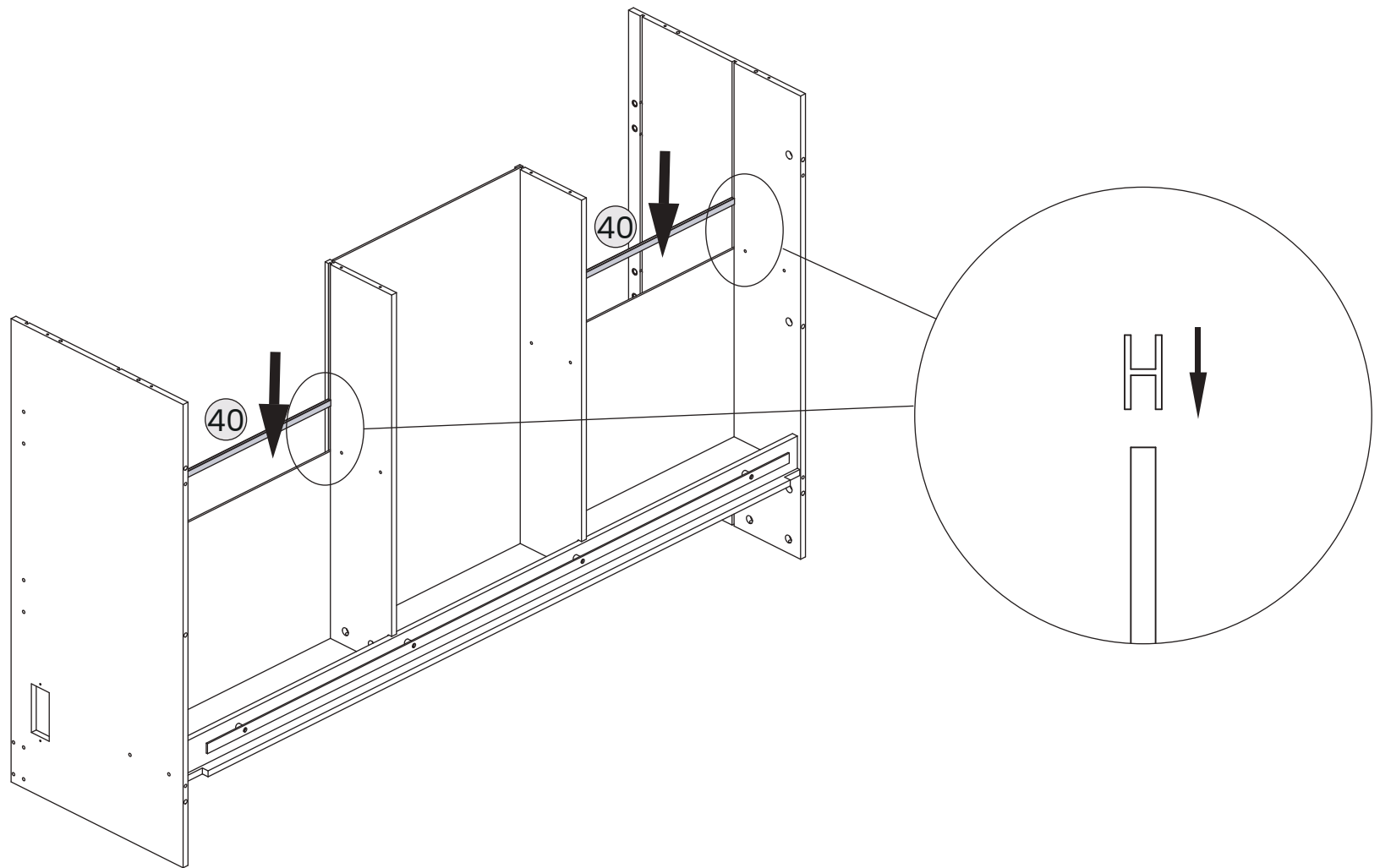


## 7

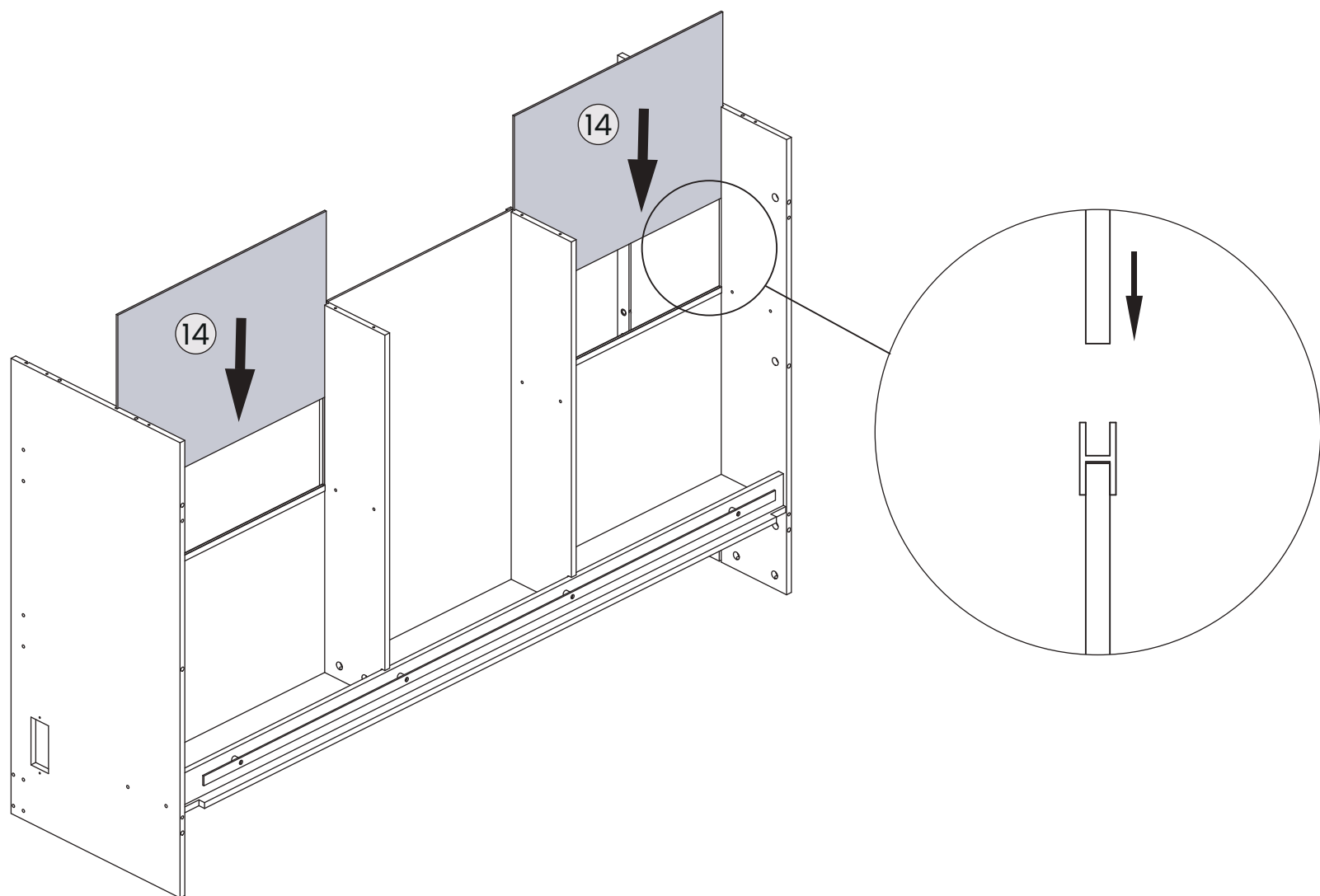


# Assembly Instruction

## 8

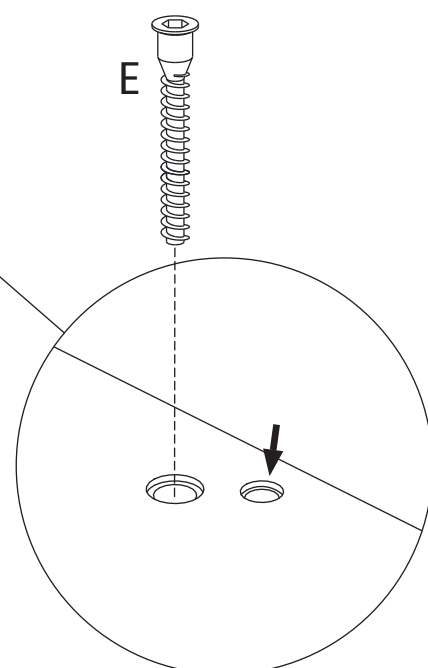
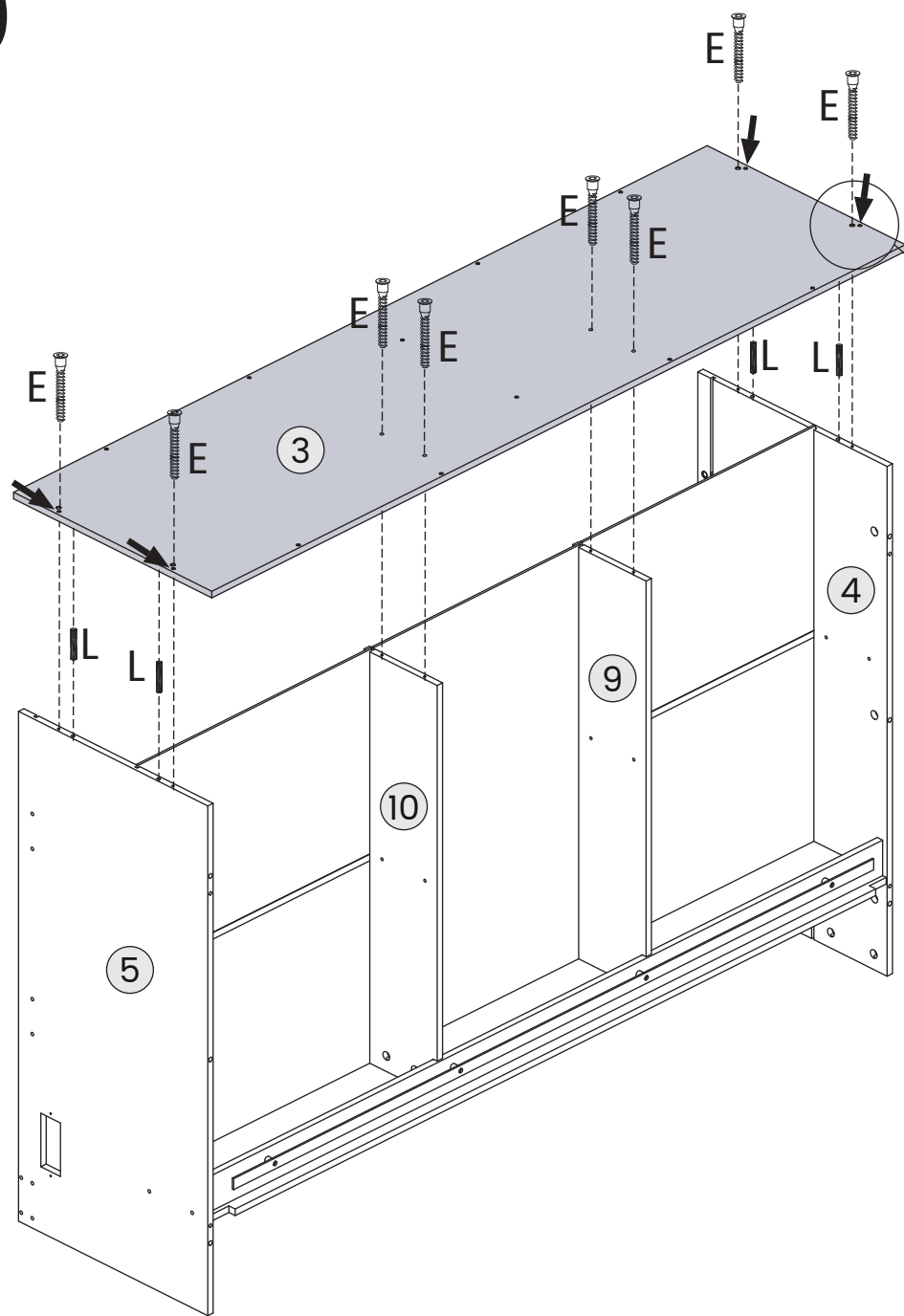


## 9

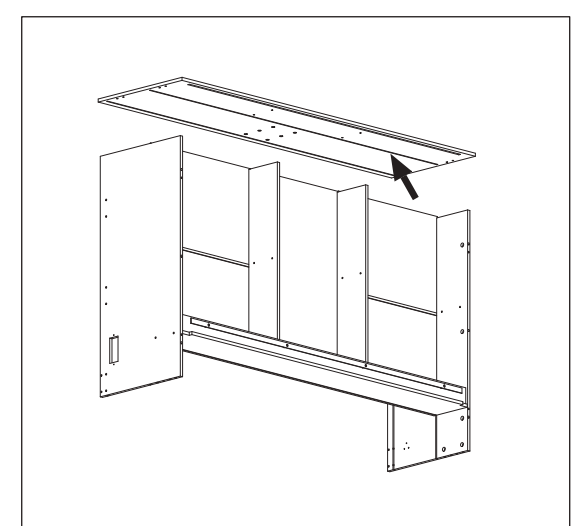


# Assembly Instruction

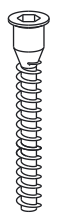
## 10



Pay attention to the hole position



**E x8**



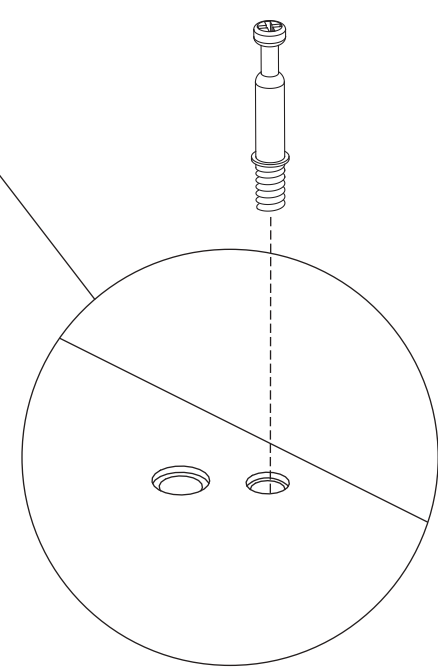
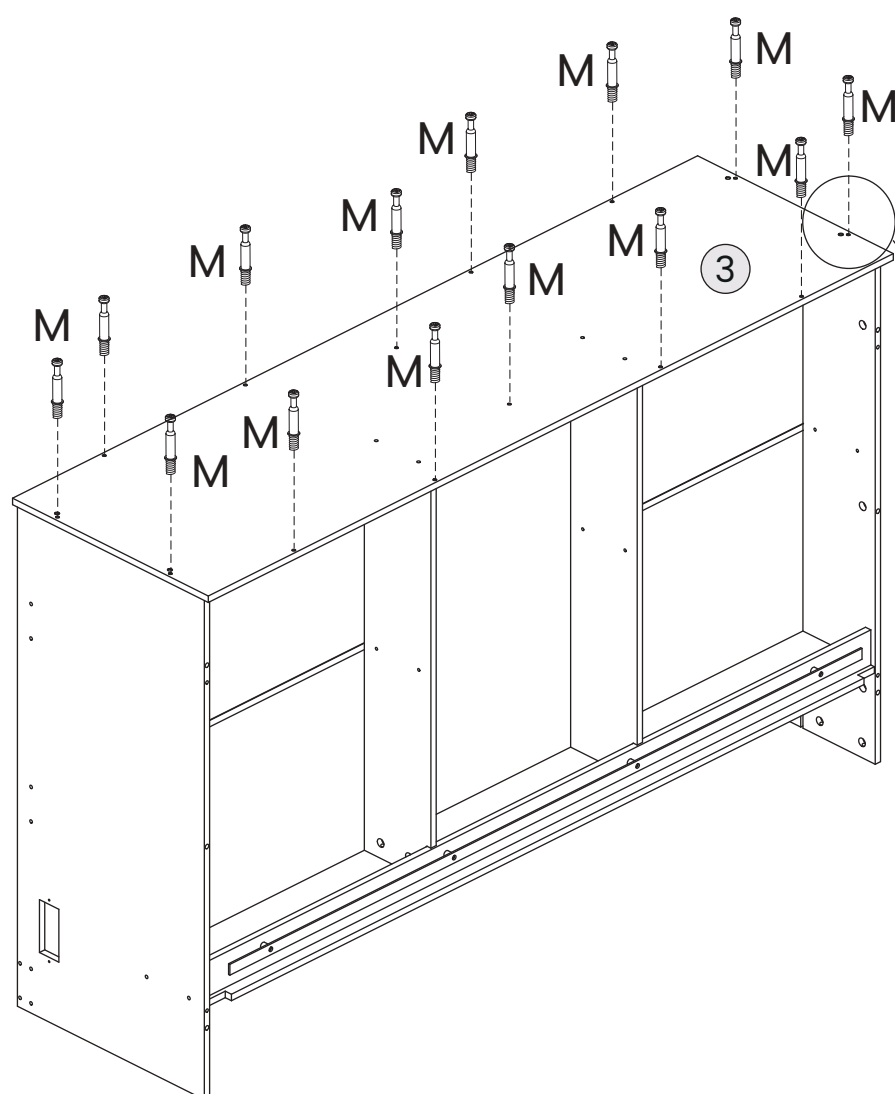
ST5X40MM

**L x4**

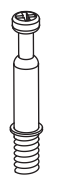


Ø6X30MM

## 11

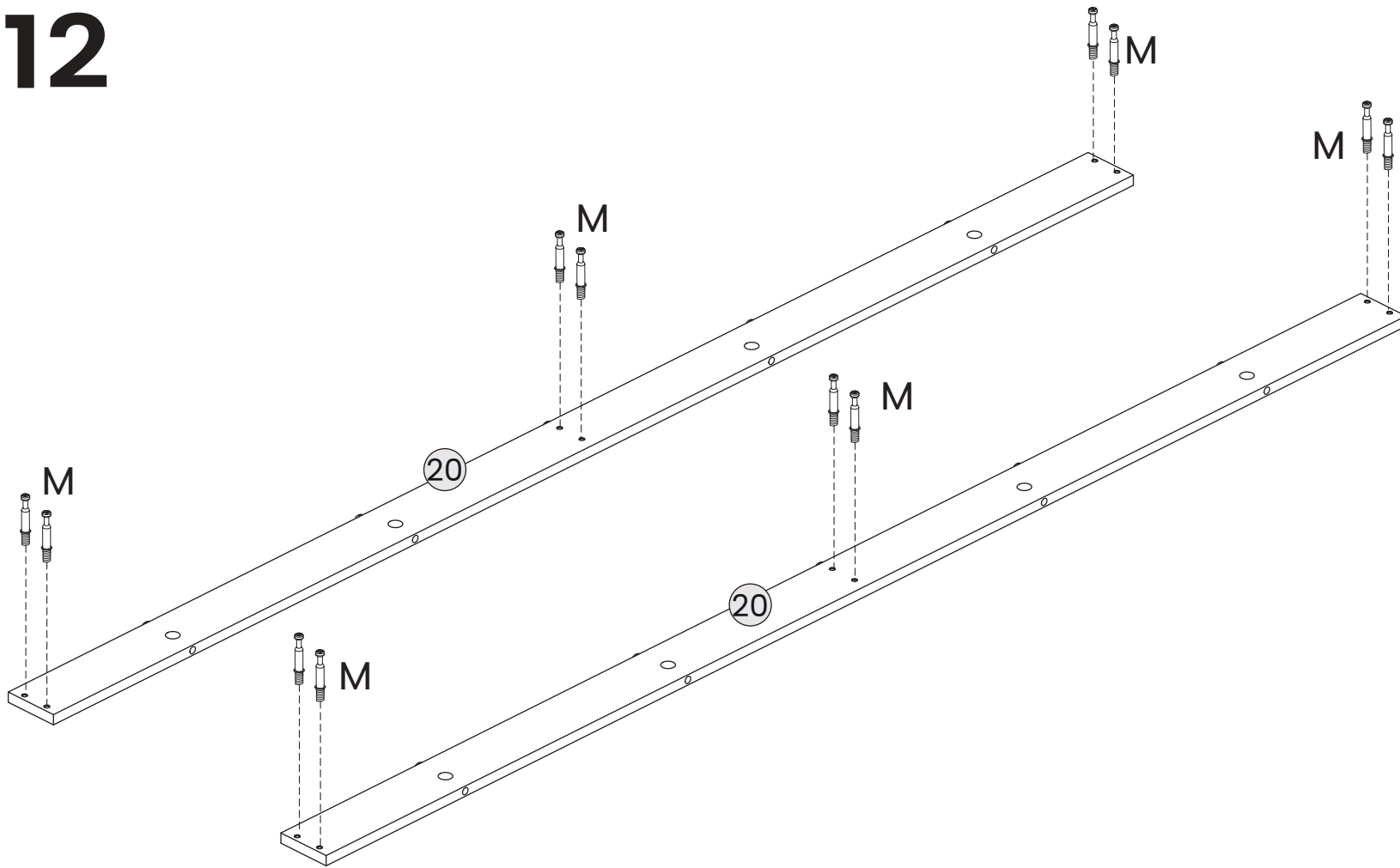


**M x14**



# Assembly Instruction

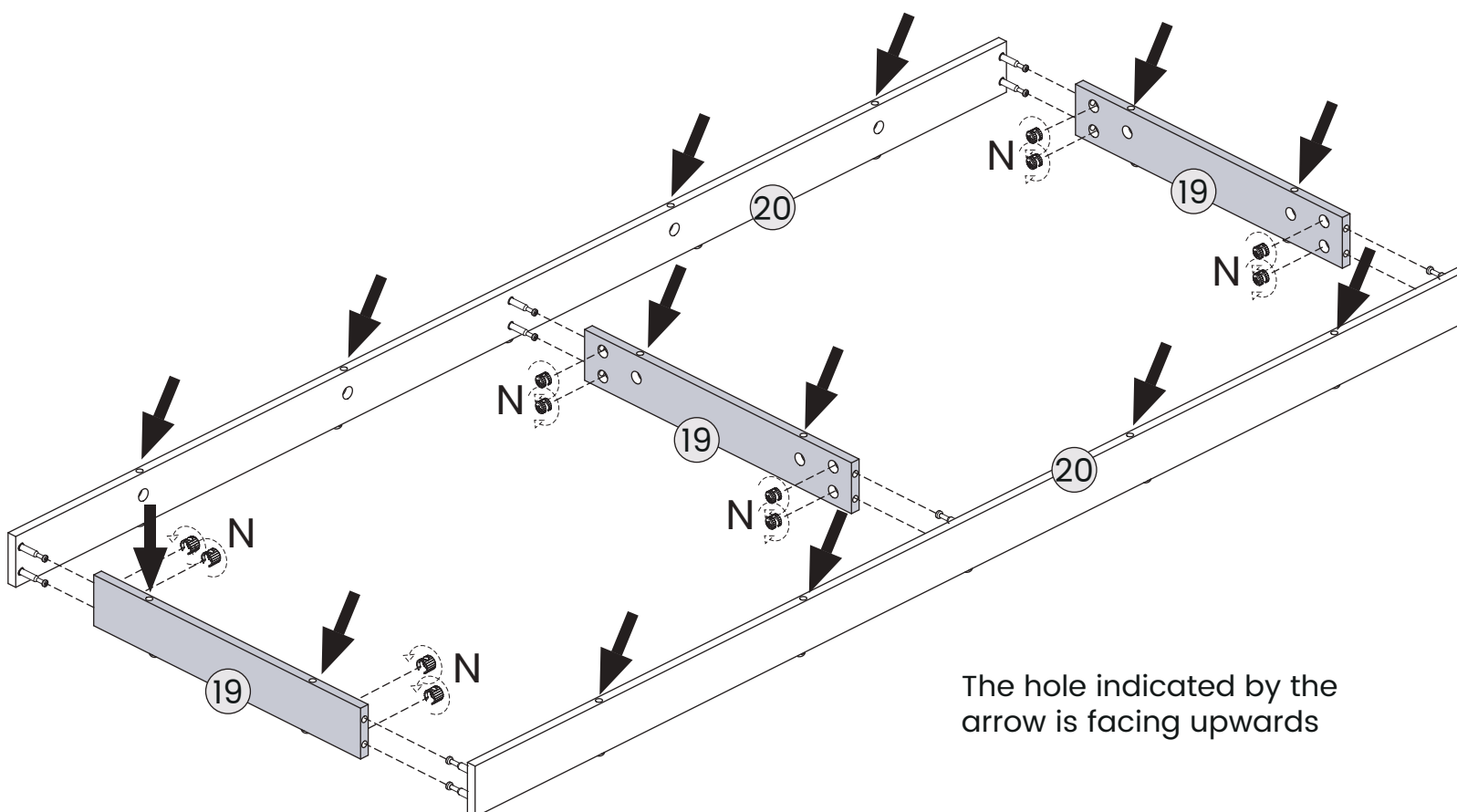
## 12



Mx12



## 13



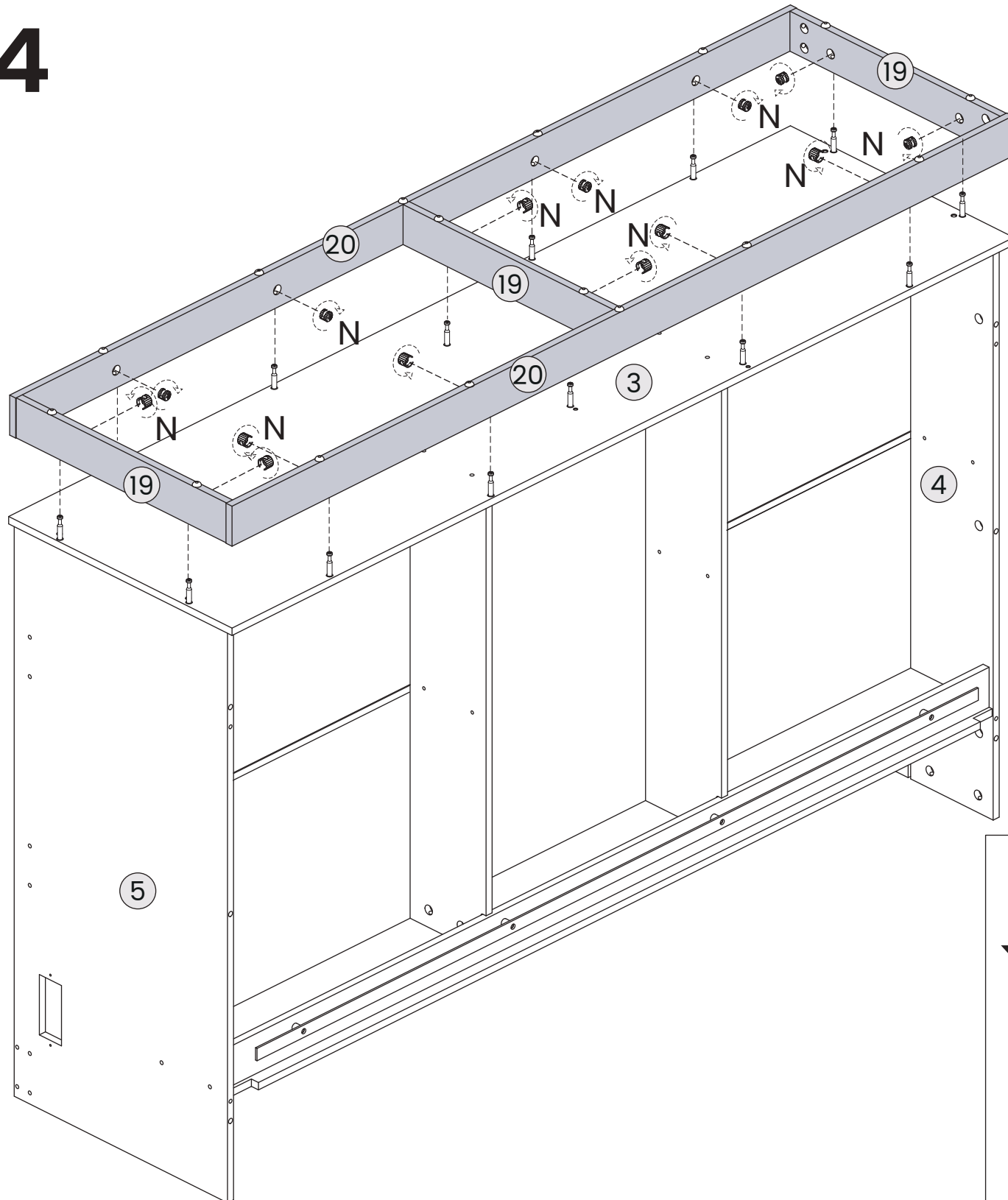
Nx12



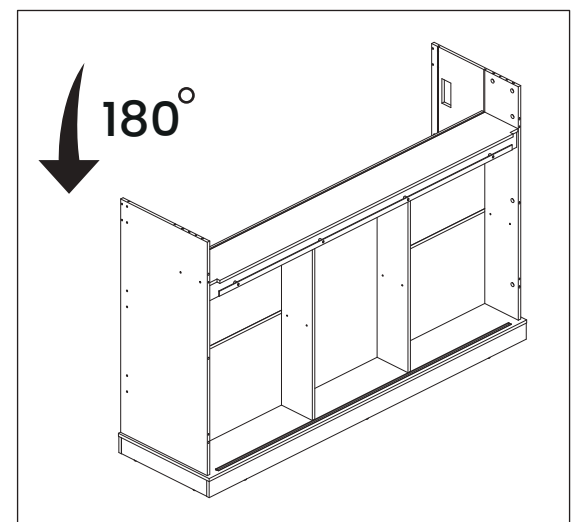
The hole indicated by the arrow is facing upwards

# Assembly Instruction

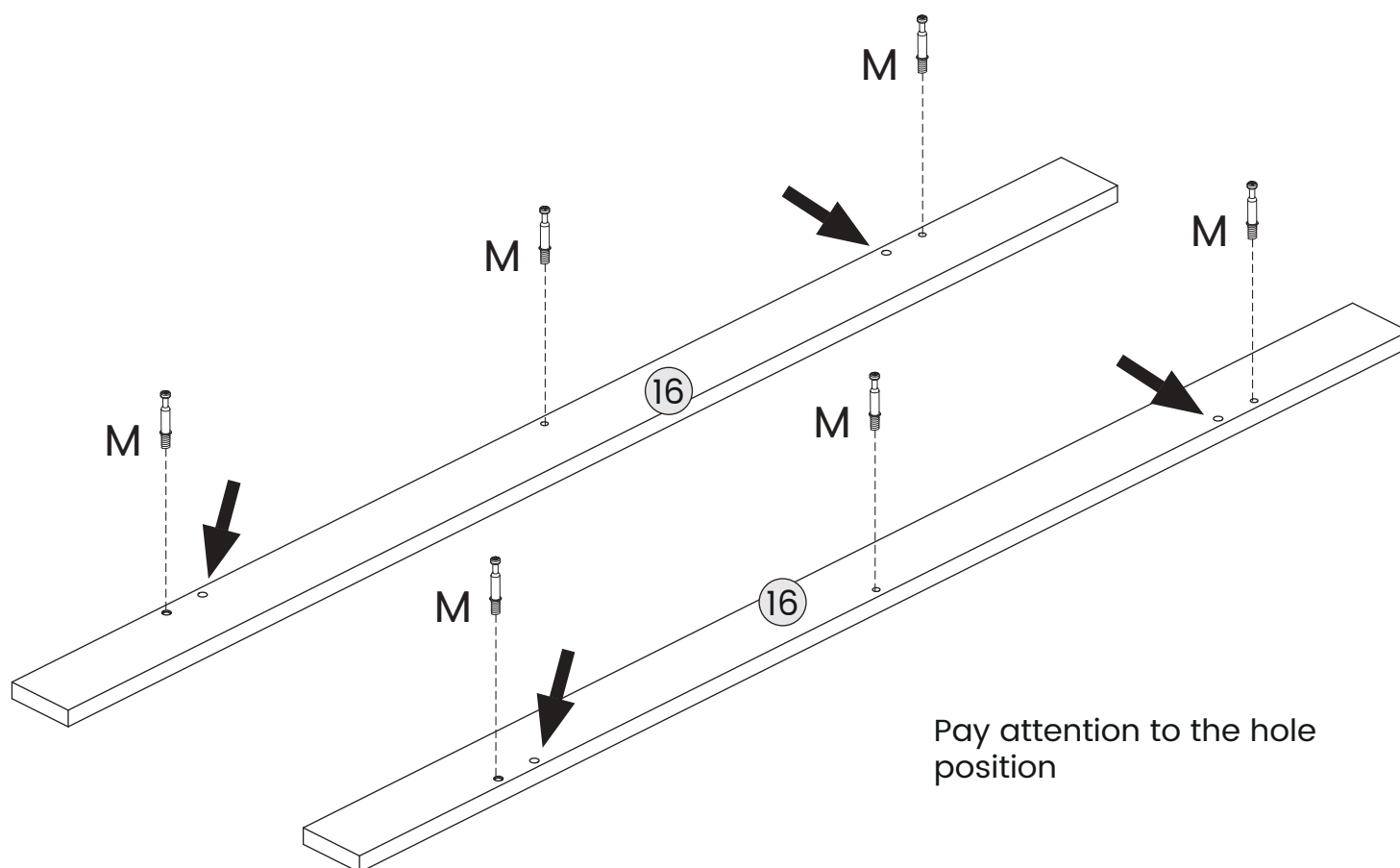
## 14



Nx14



## 15



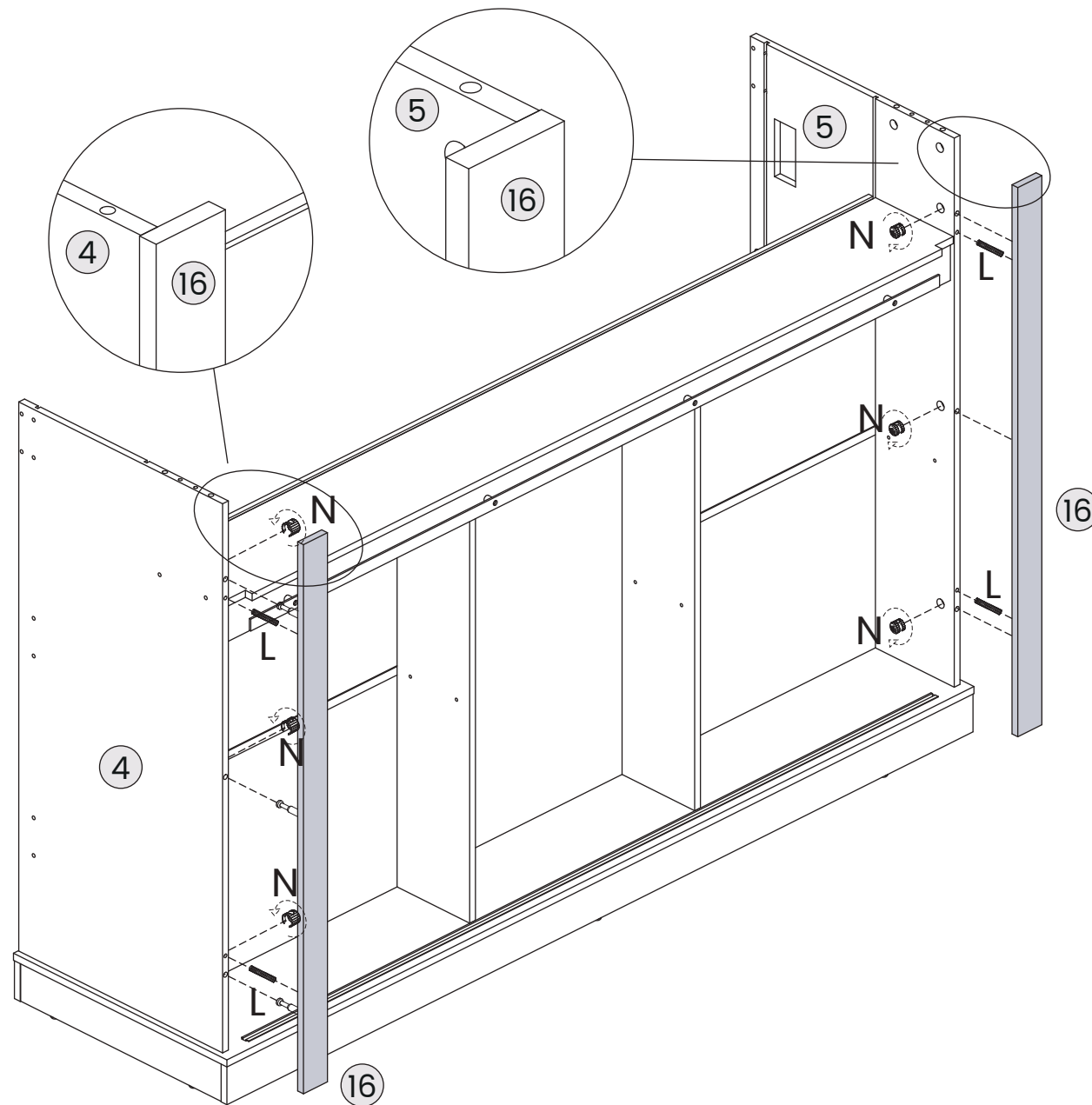
Mx6



Pay attention to the hole position

# Assembly Instruction

## 16



Nx6

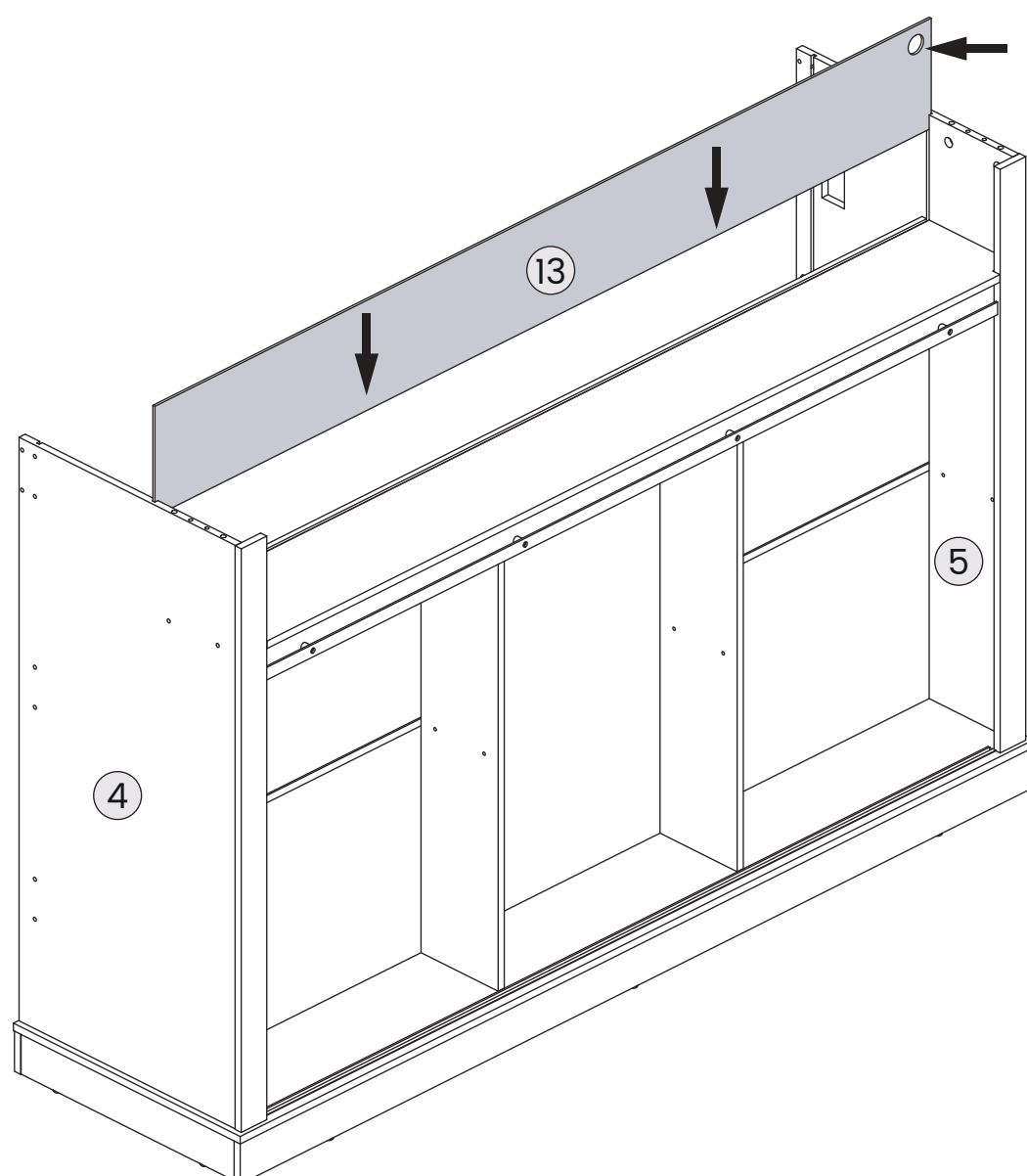


Lx4



Ø6x30MM

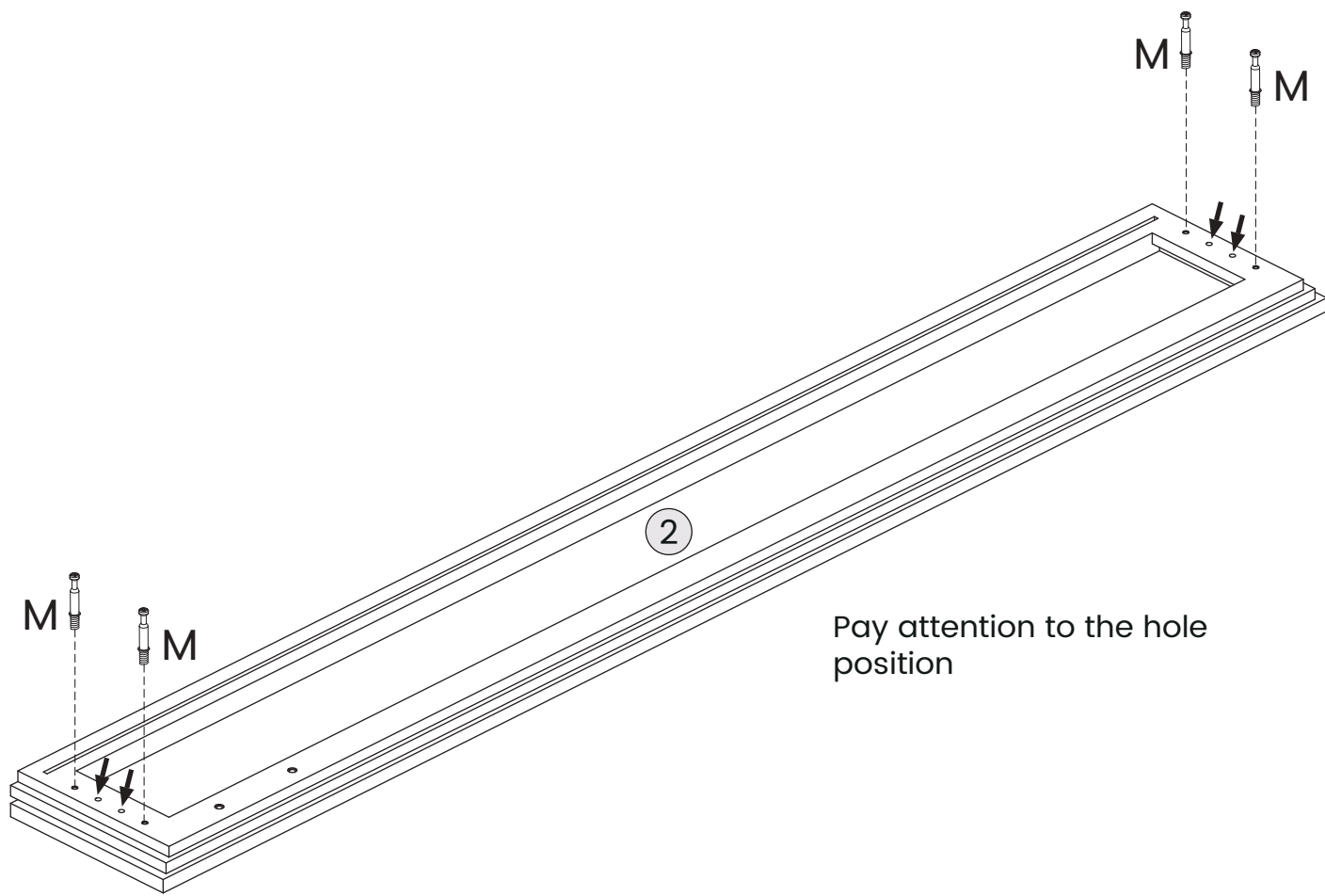
## 17



Pay attention to the position of the hole indicated by the arrow

# Assembly Instruction

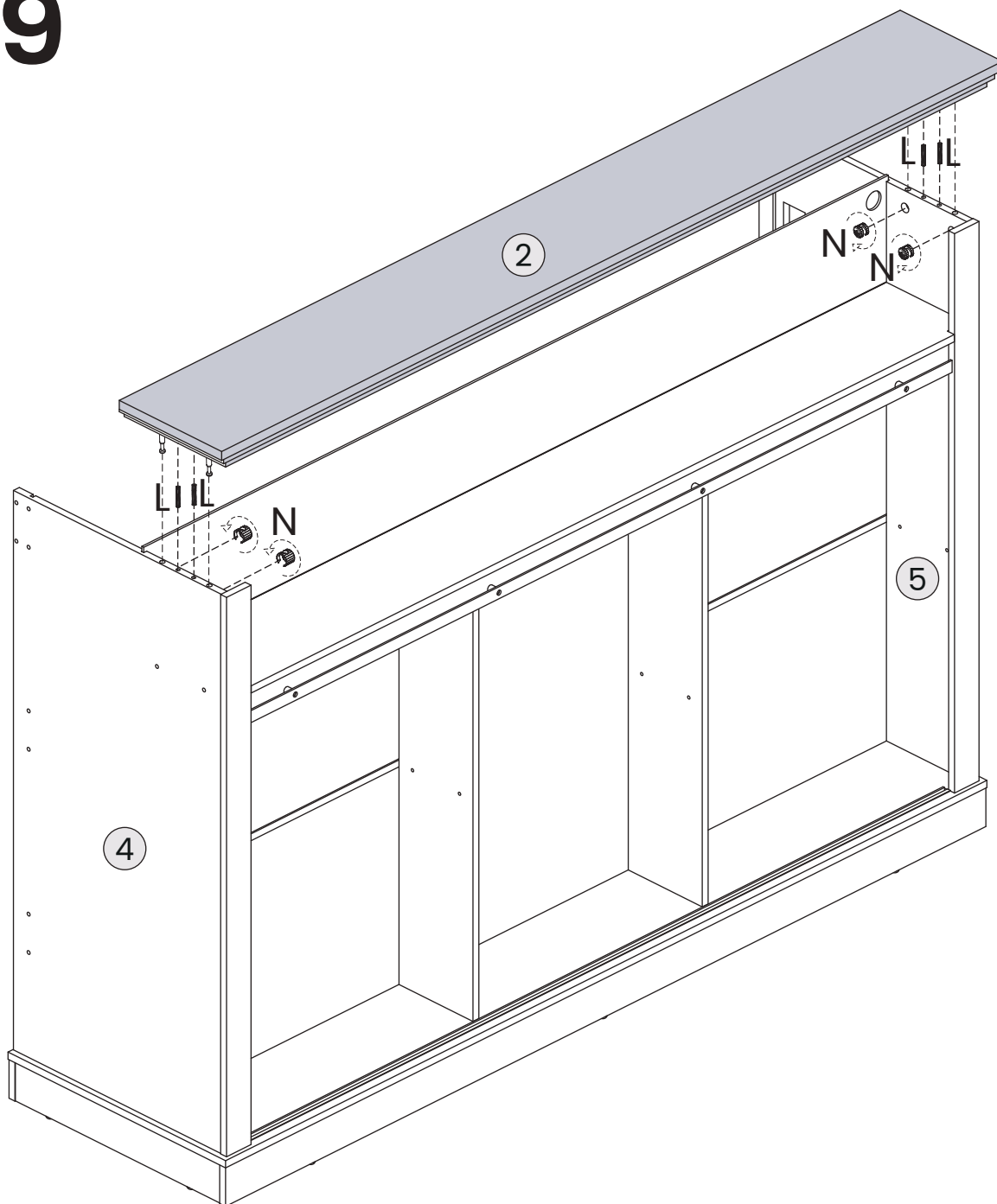
## 18



Mx4



## 19



Nx4



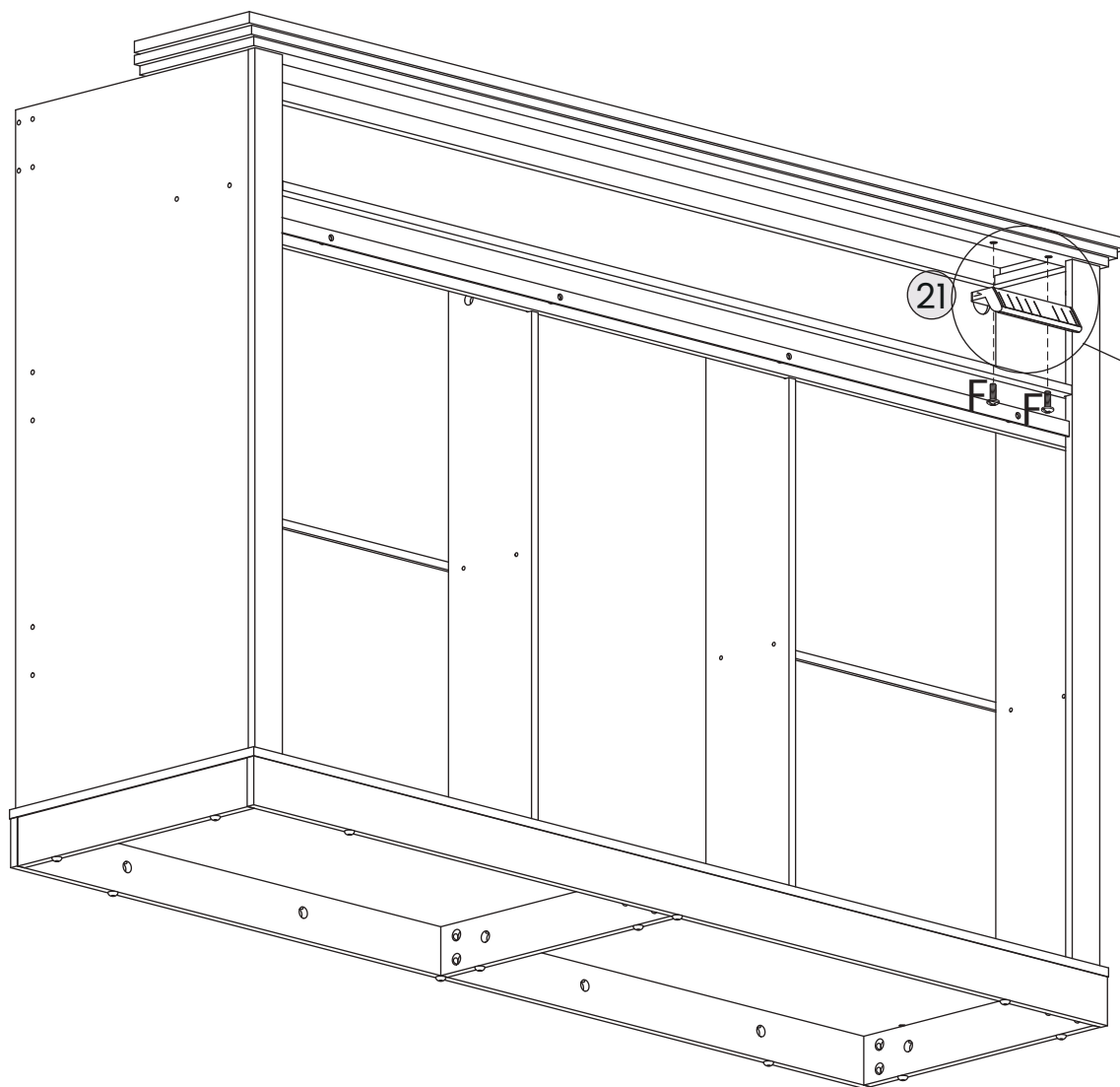
Lx4



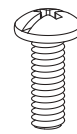
Ø6x30MM

# Assembly Instruction

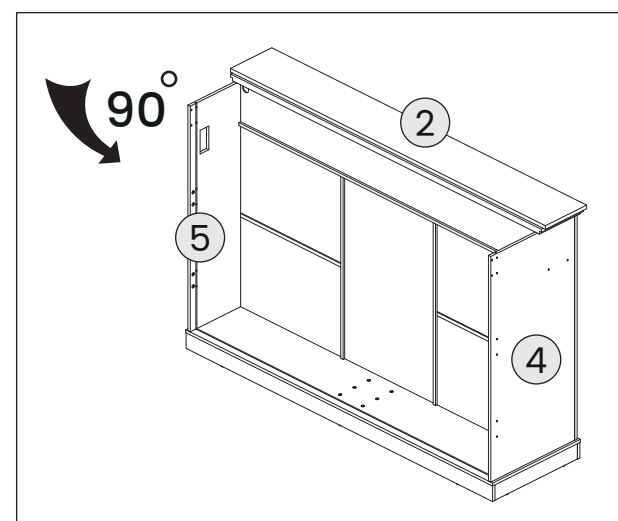
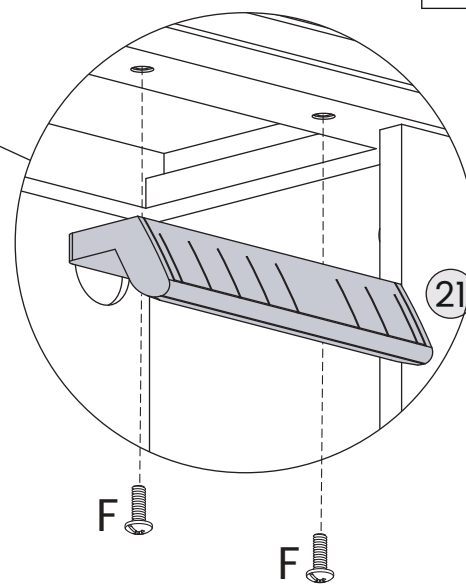
## 20



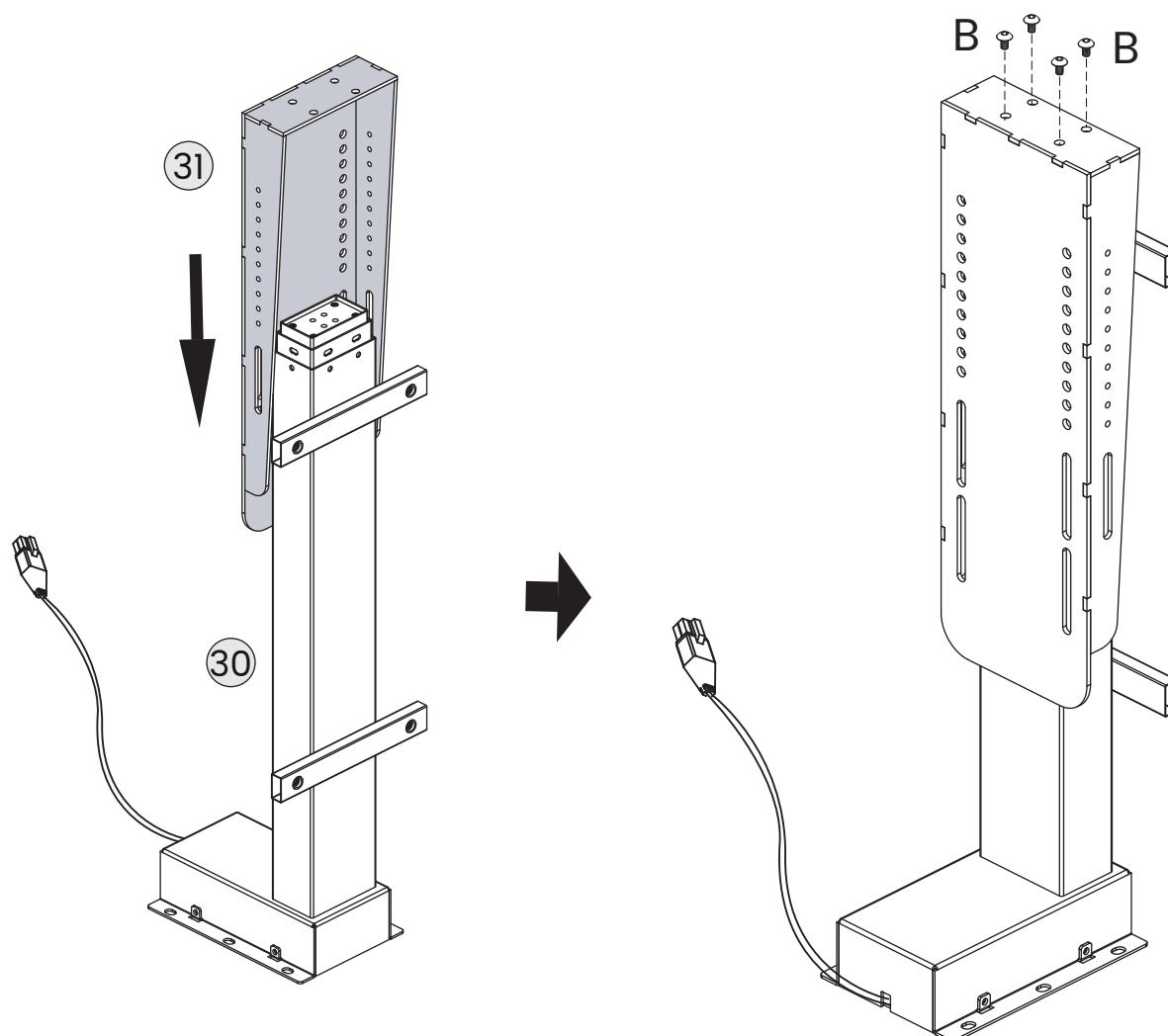
F x2



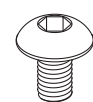
M4X14MM



## 21



B x4



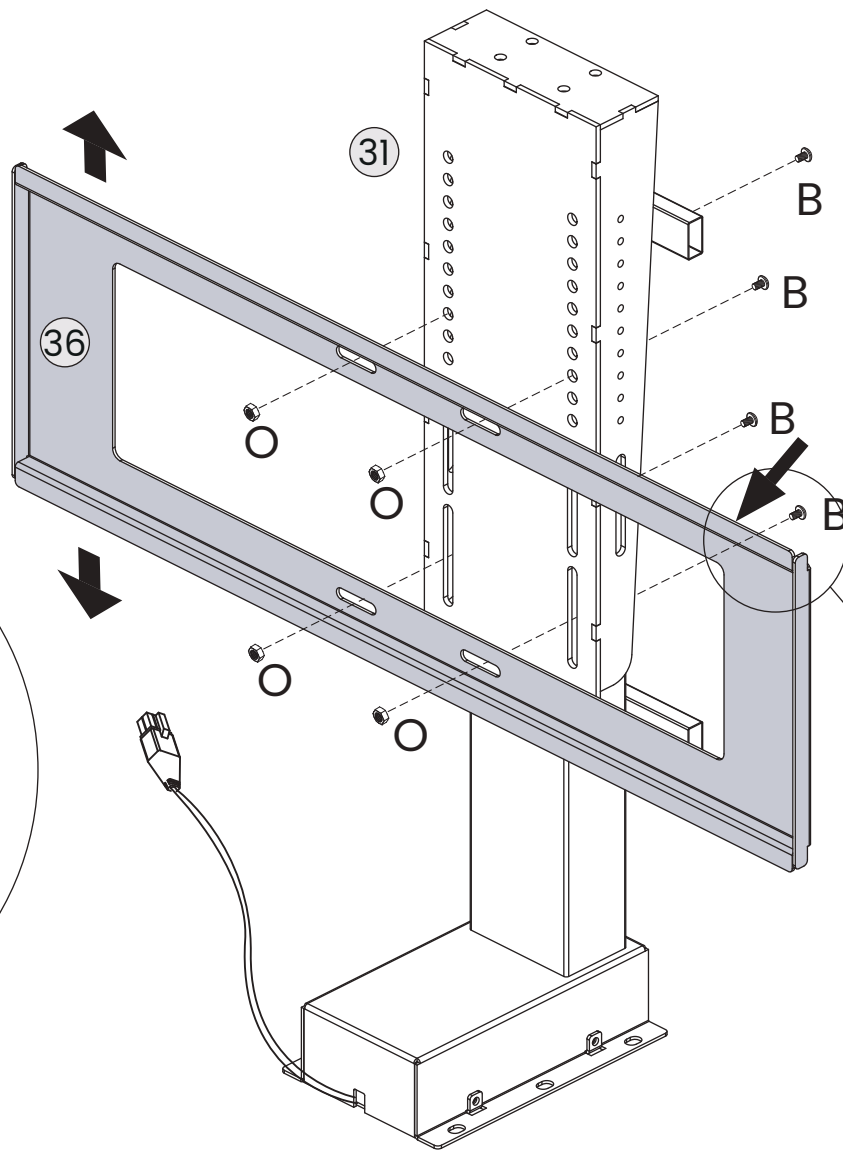
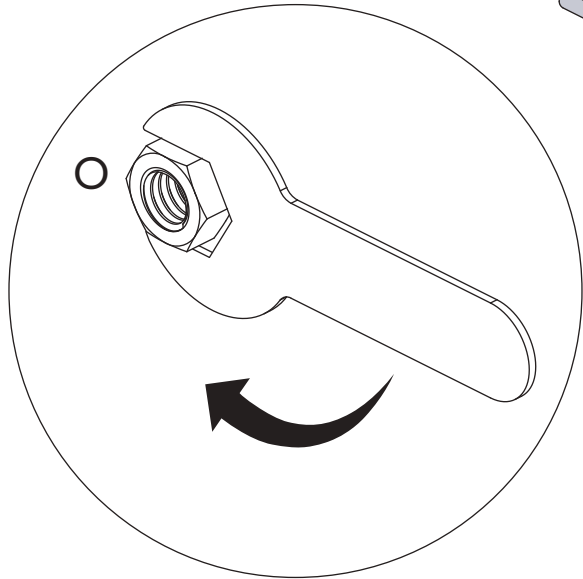
M6X12MM

# Assembly Instruction

## 22

Pay attention to installing in the center of the left and right directions

The height can be adjusted up and down

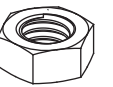


B x 4



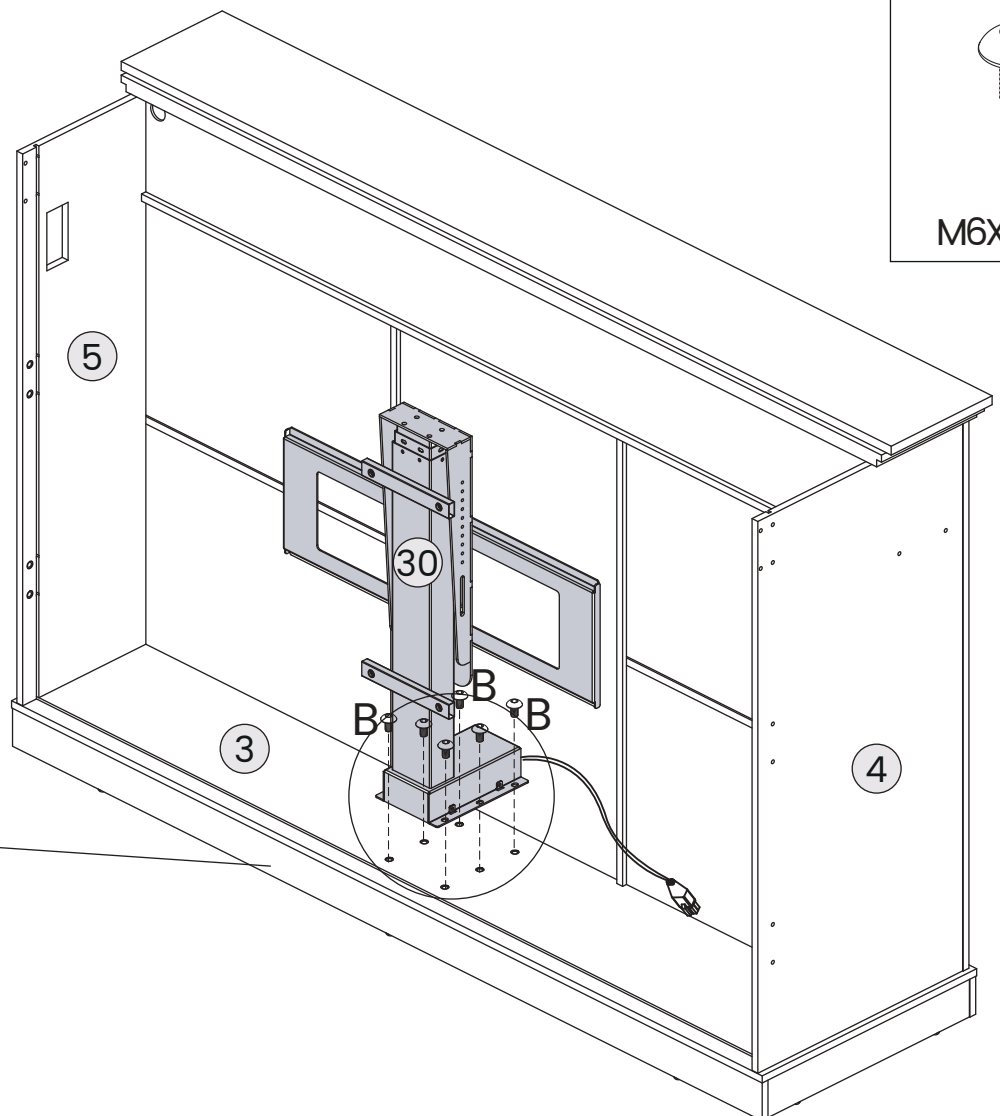
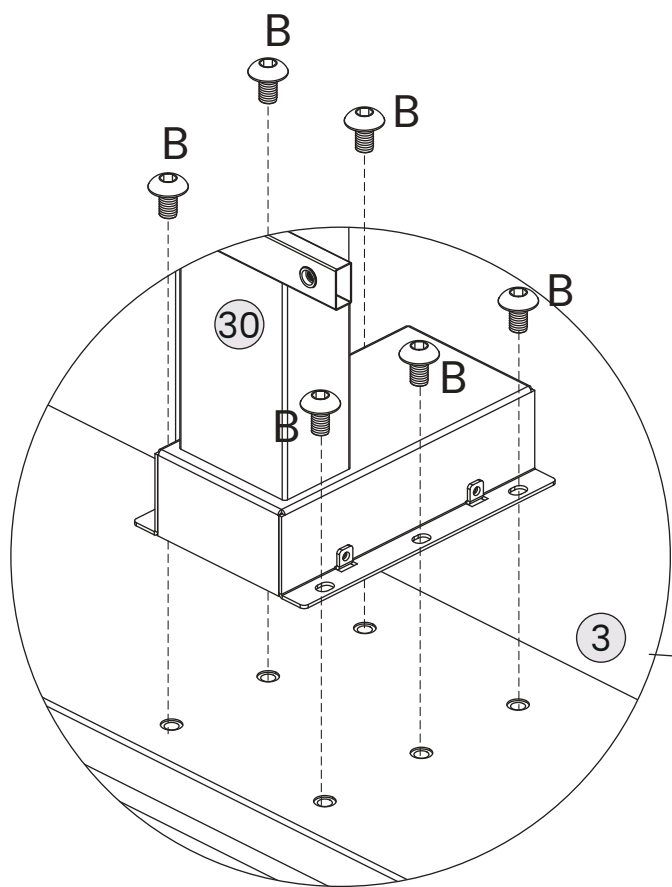
M6X12MM

O x 4

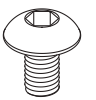


M6

## 23



B x 6

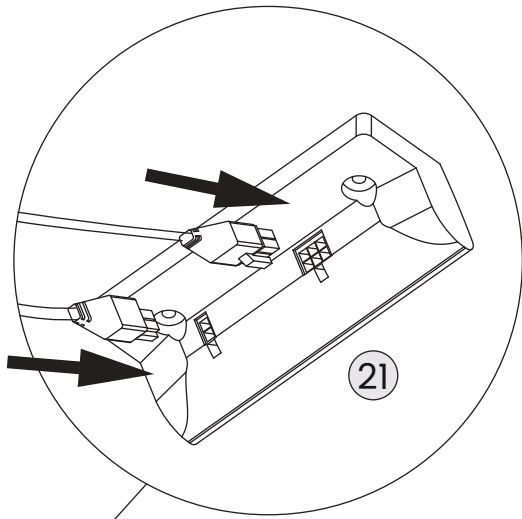
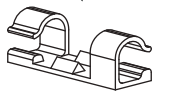


M6X12MM

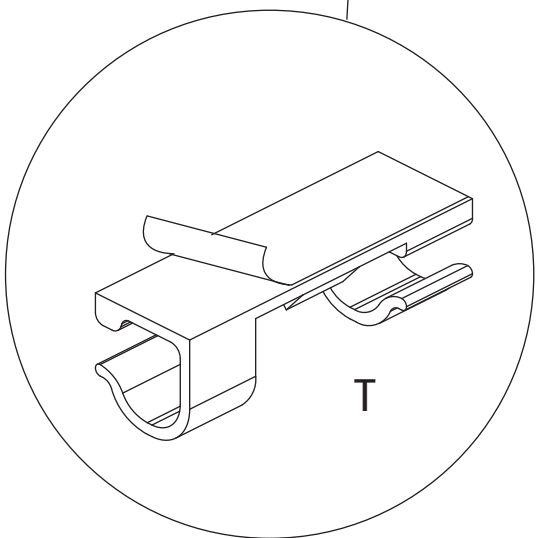
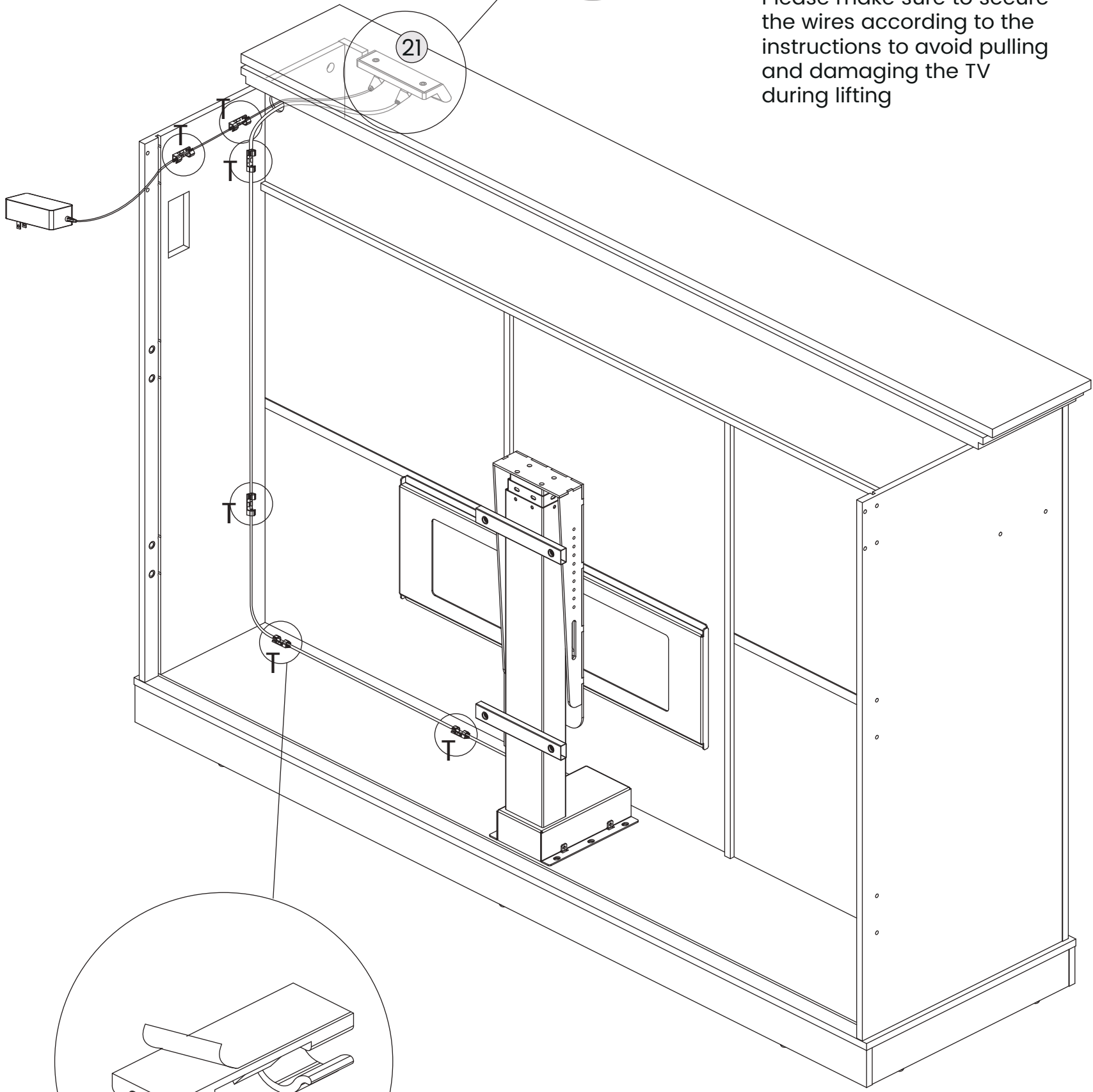
# Assembly Instruction

# 24

T x6



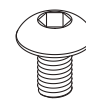
Please make sure to secure the wires according to the instructions to avoid pulling and damaging the TV during lifting



# Assembly Instruction

# 25

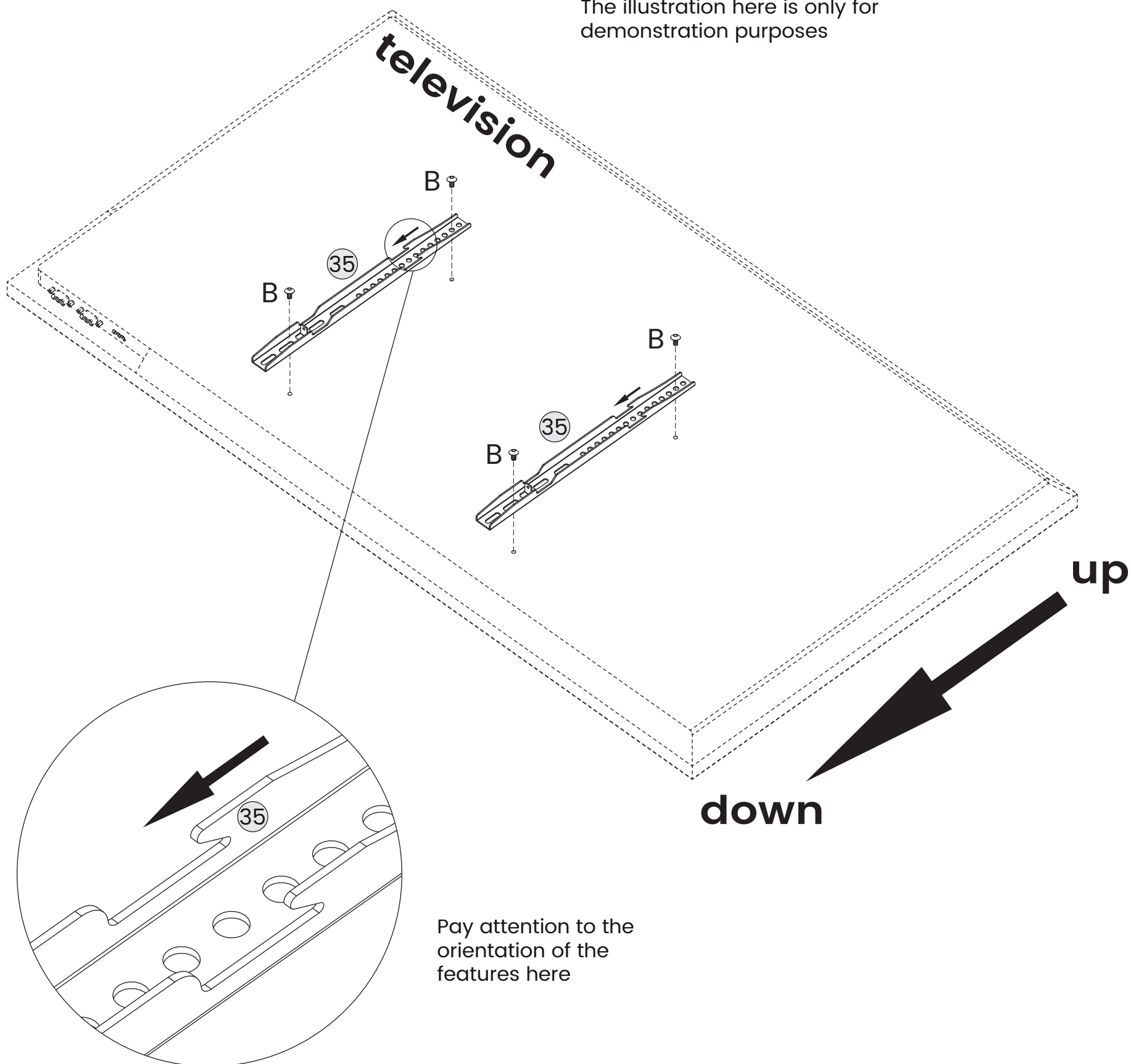
B x4



M6X12MM

This product does not come with a television. The buyer needs to equip the television themselves

Pay attention to different televisions and fix them here with unique screws. The illustration here is only for demonstration purposes

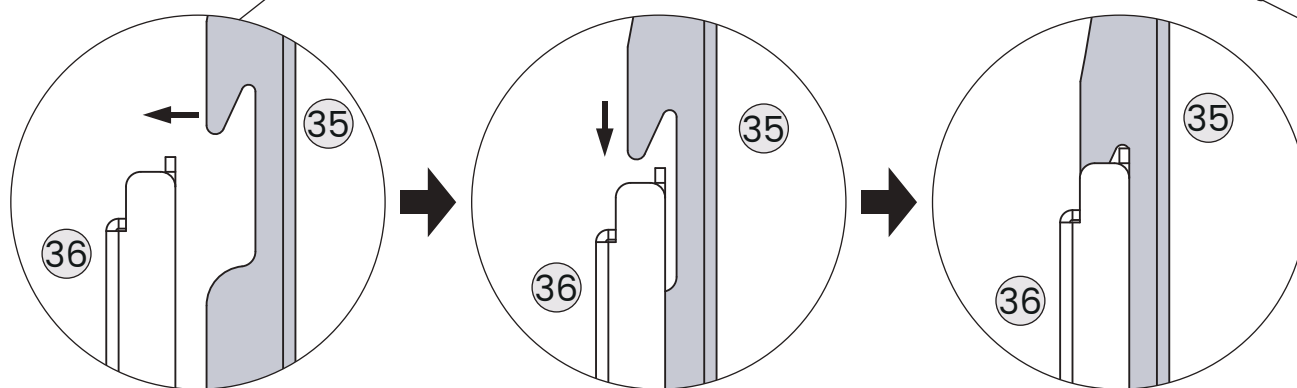
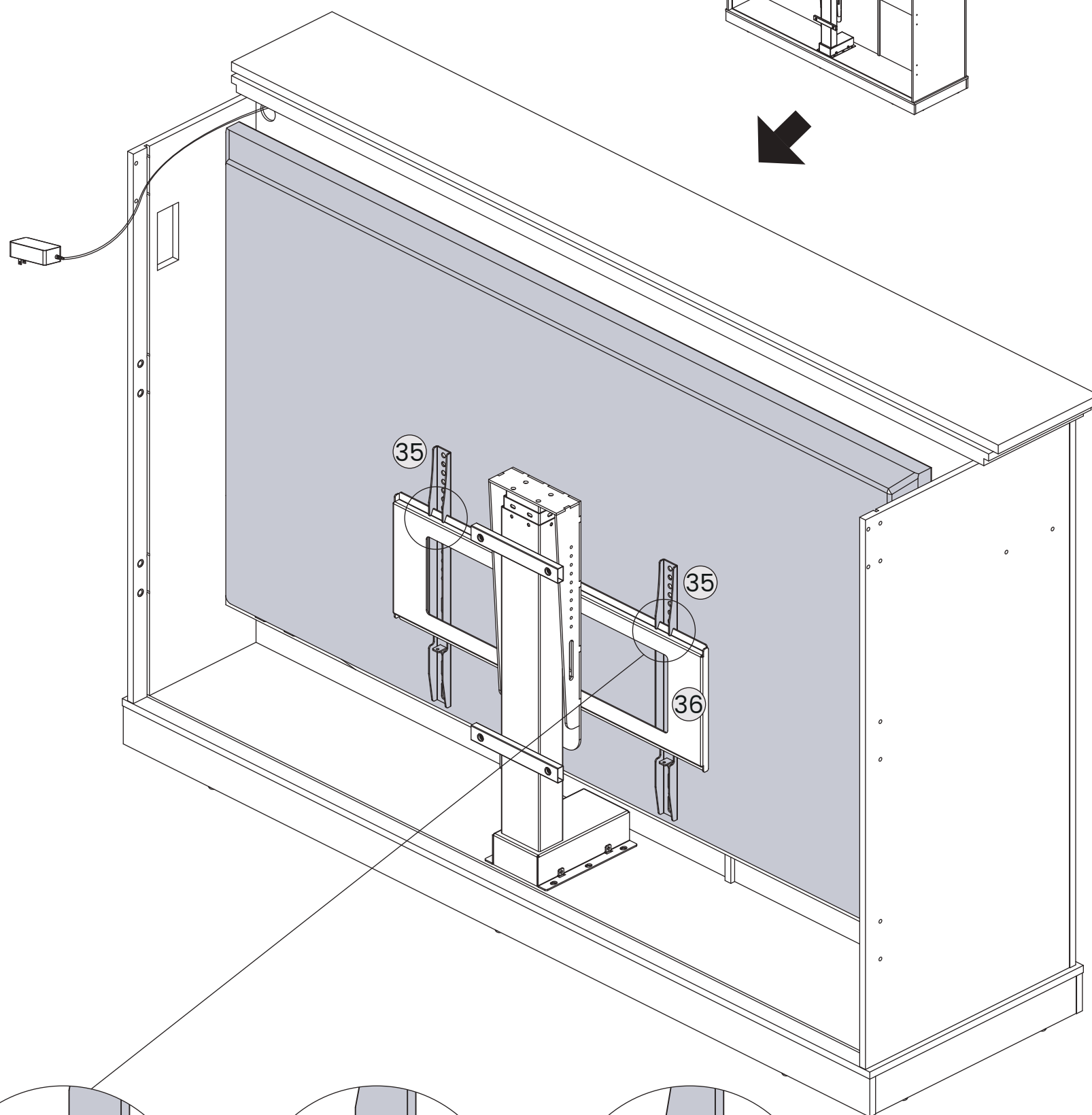
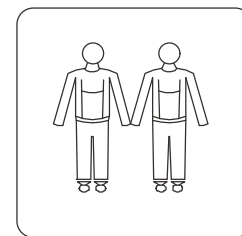
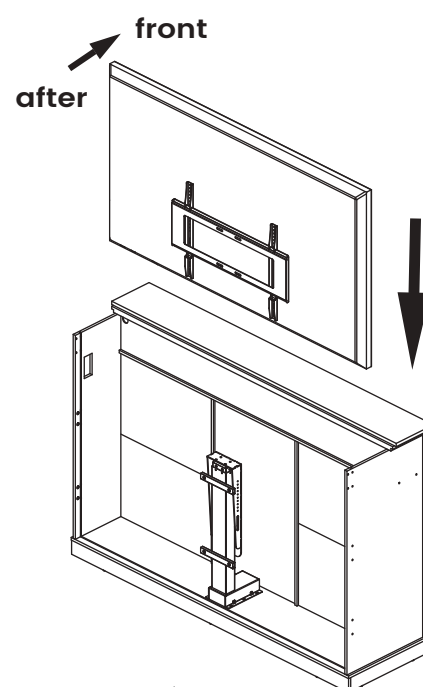


# Assembly Instruction

## 26

Need to be cautious and careful, Don't damage the TV

Pay attention to installing in the center of the left and right directions



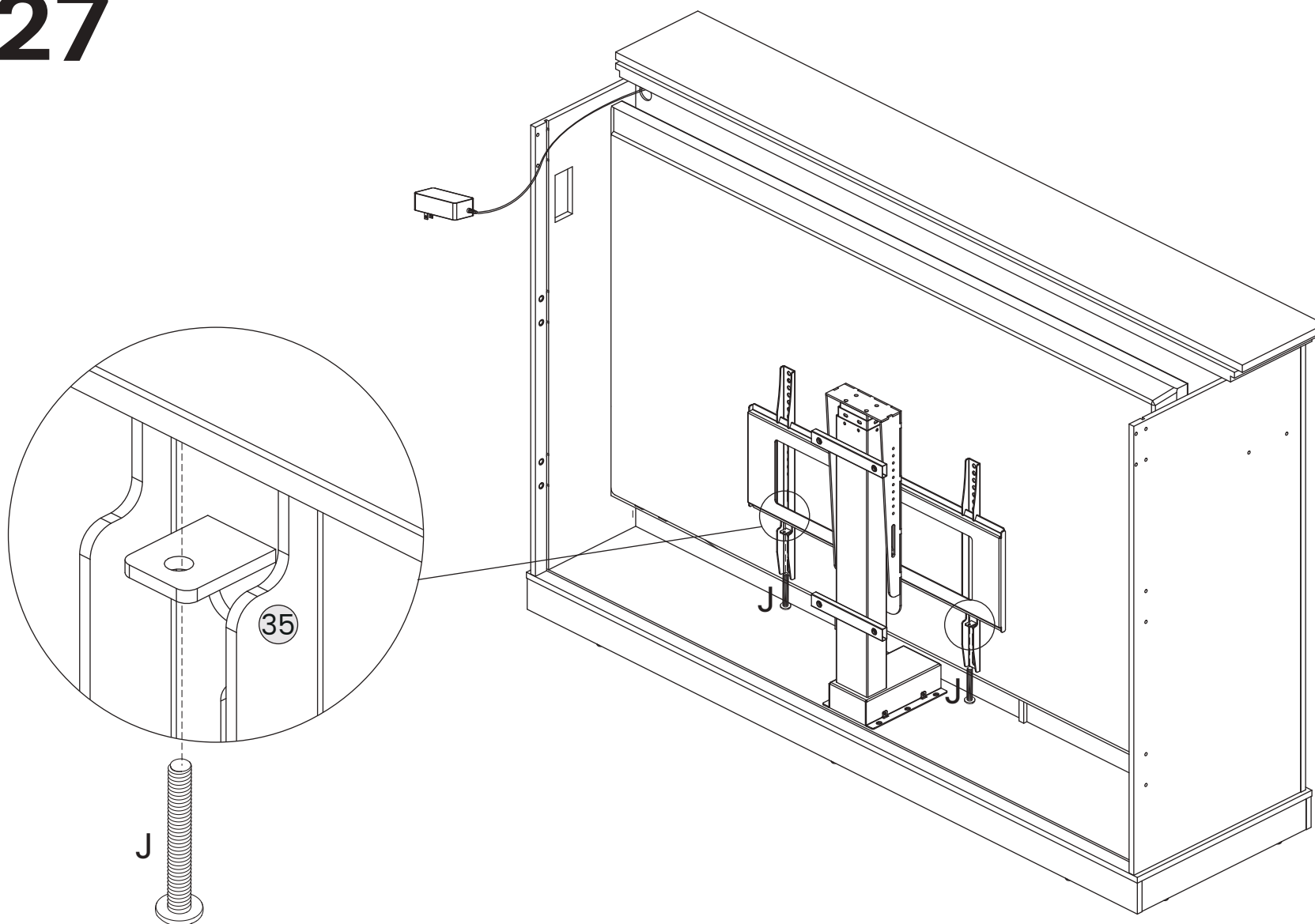
# Assembly Instruction

## 27

J x2



M4x35MM

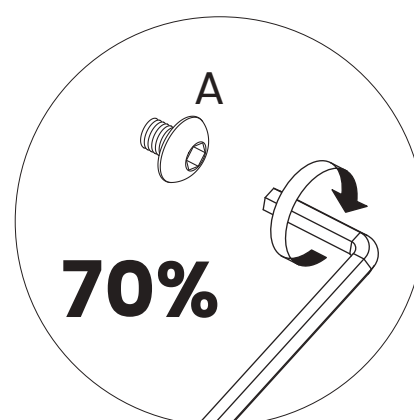
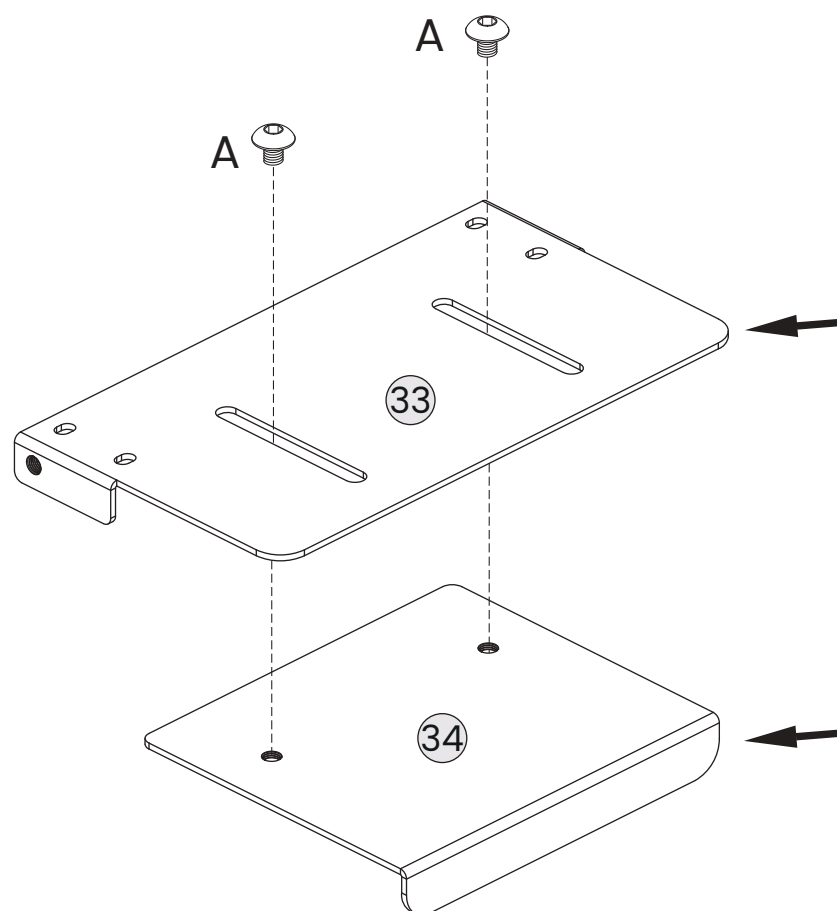


## 28

A x2



M6x6MM

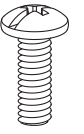


Pay attention to the orientation of the feature indicated by the arrow

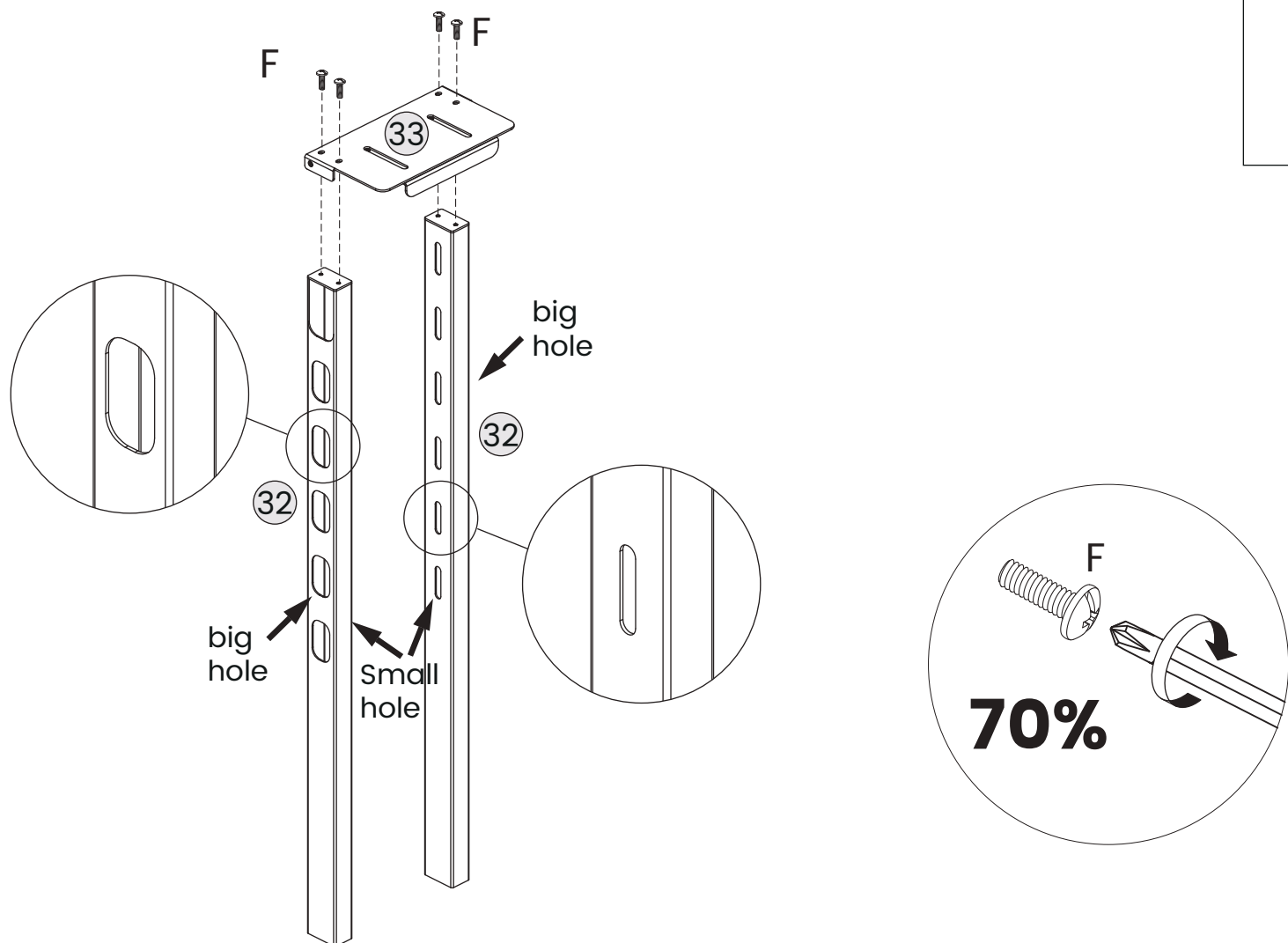
# Assembly Instruction

## 29

F x4

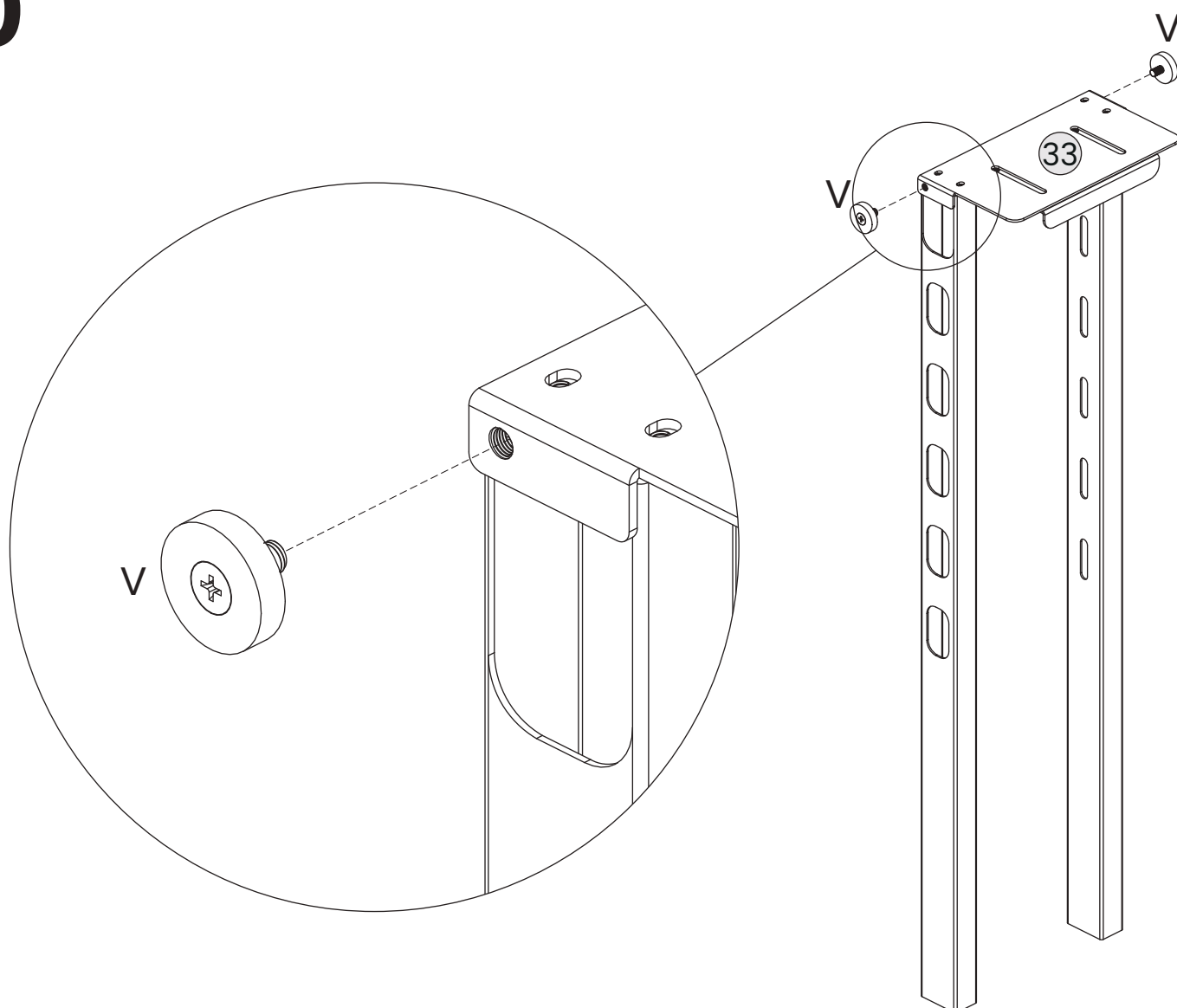
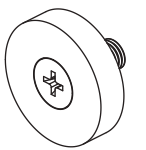


M4X14MM



## 30

V x2

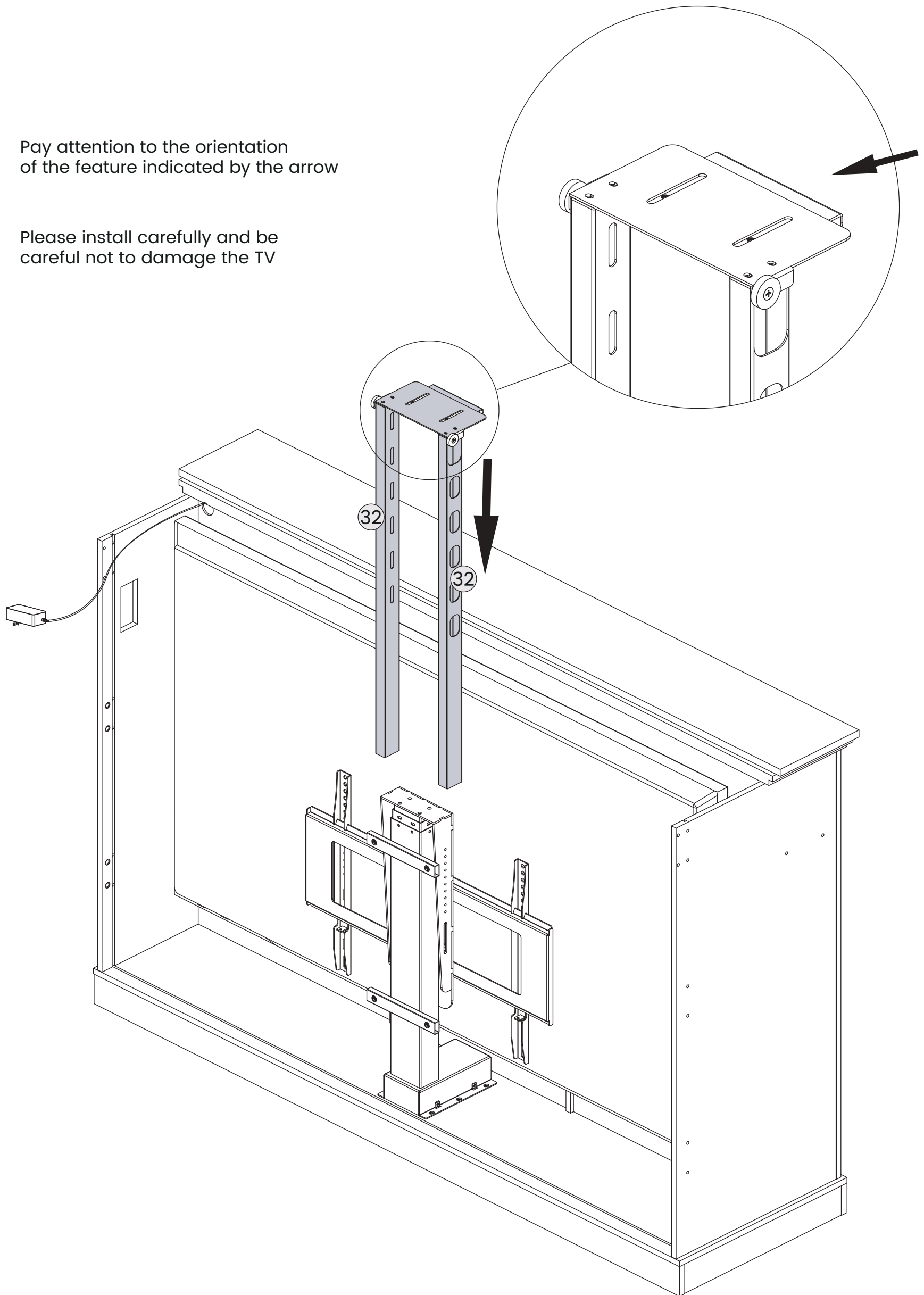


# Assembly Instruction

## 31

Pay attention to the orientation of the feature indicated by the arrow

Please install carefully and be careful not to damage the TV



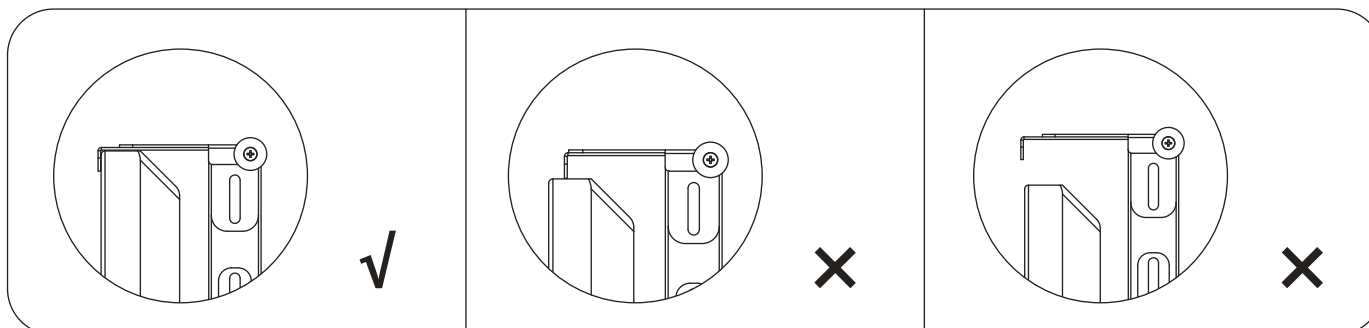
# Assembly Instruction

## 32

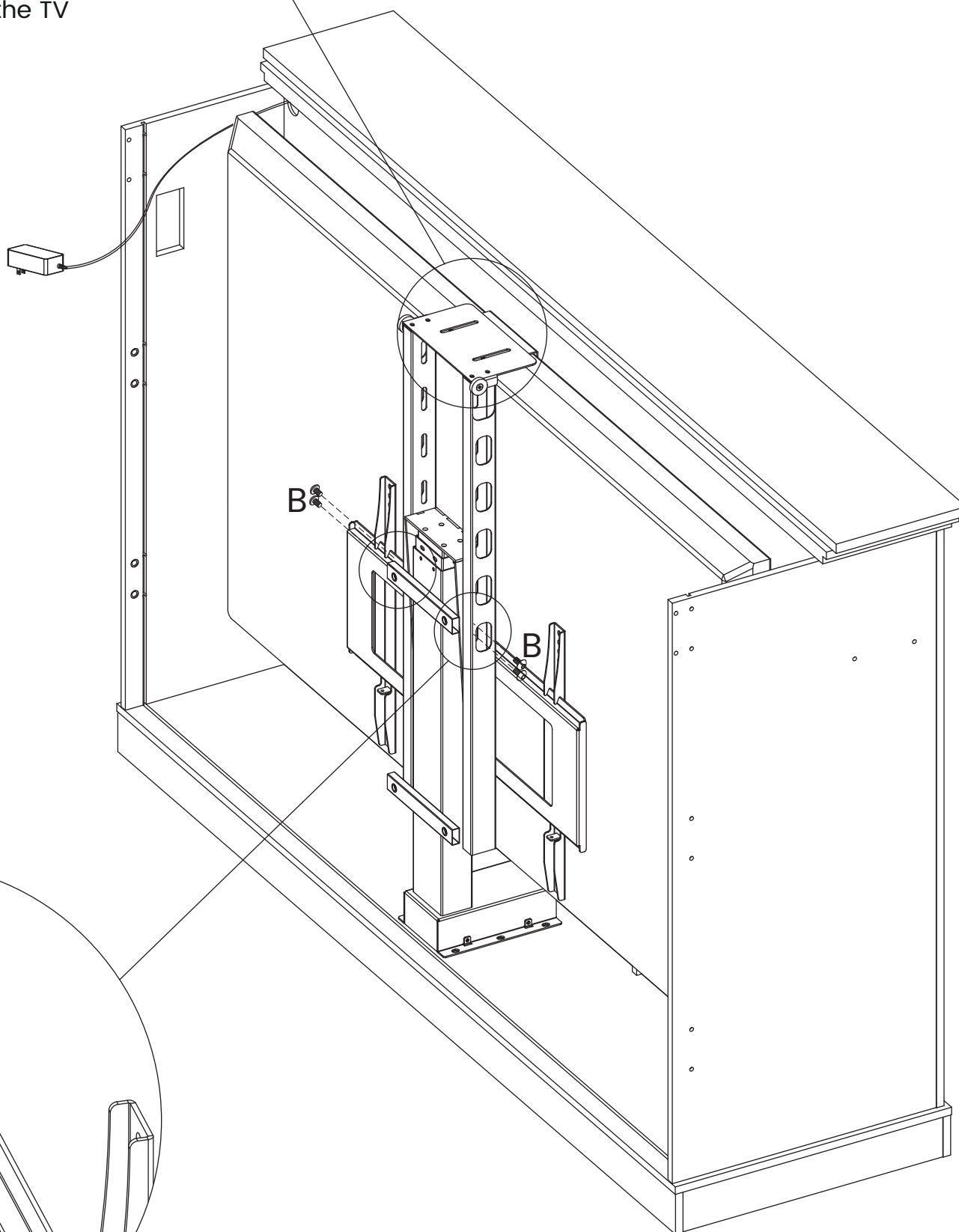
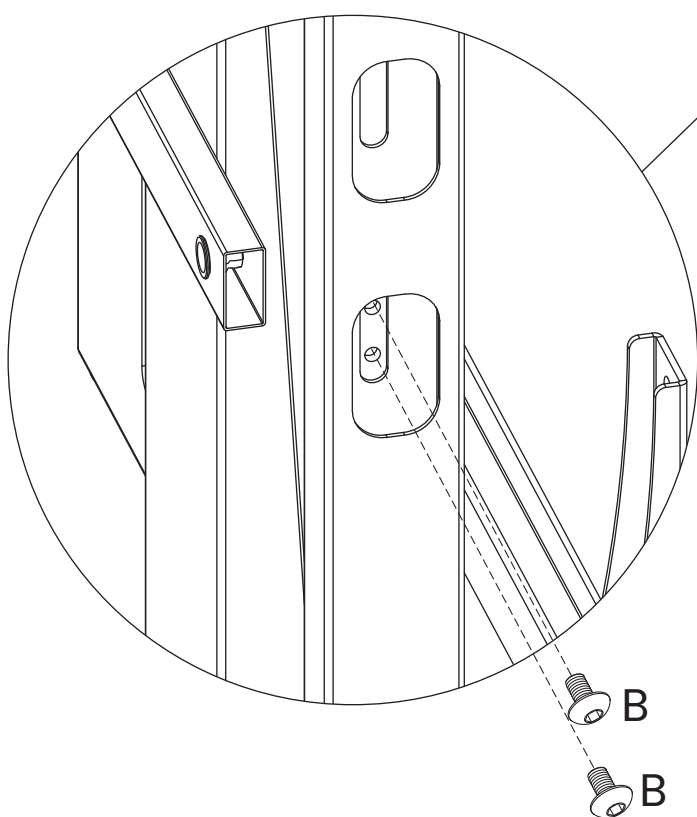
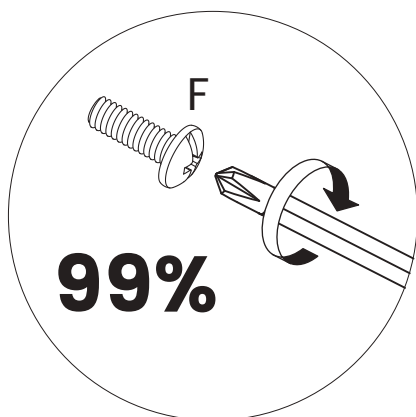
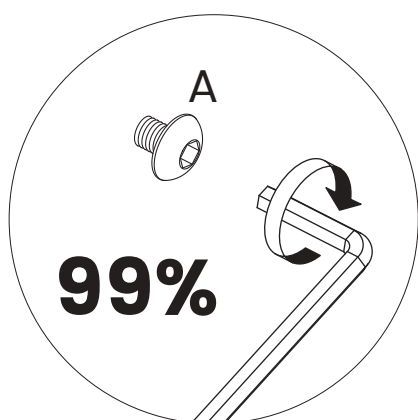
B x4



M6X12MM



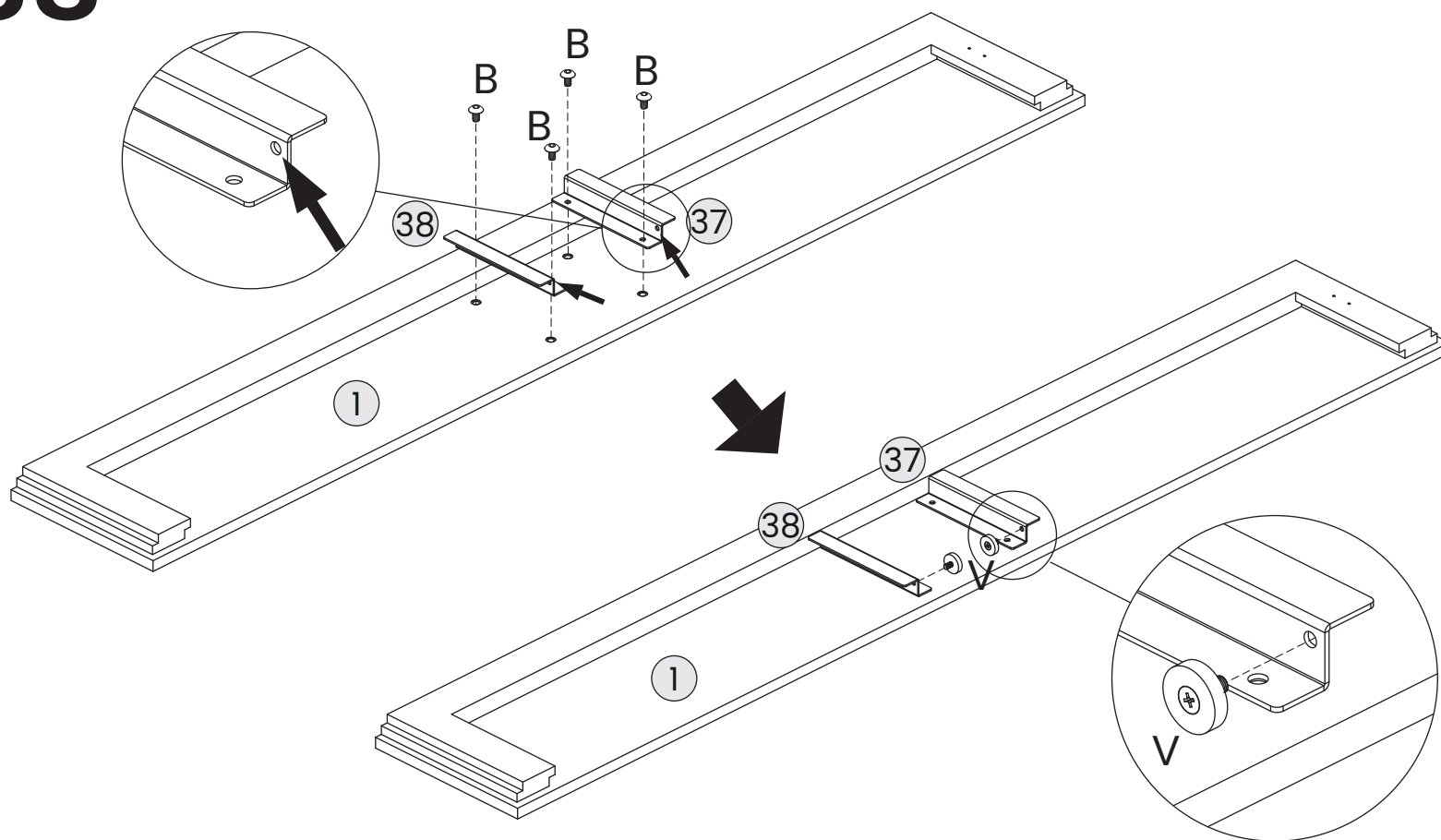
Please install carefully and be careful not to damage the TV



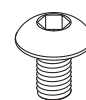
The height of this screw varies for televisions of different sizes

# Assembly Instruction

## 33

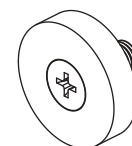


**B x4**



M6X12MM

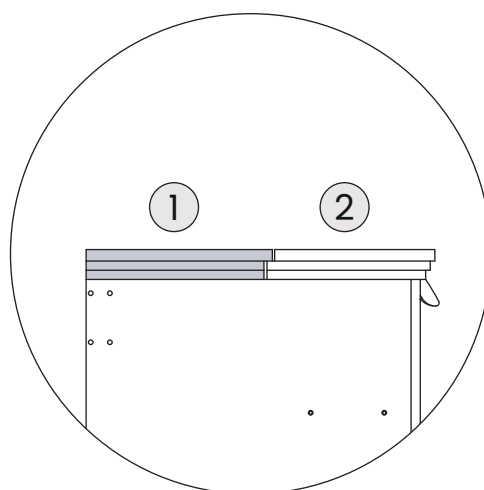
**V x2**



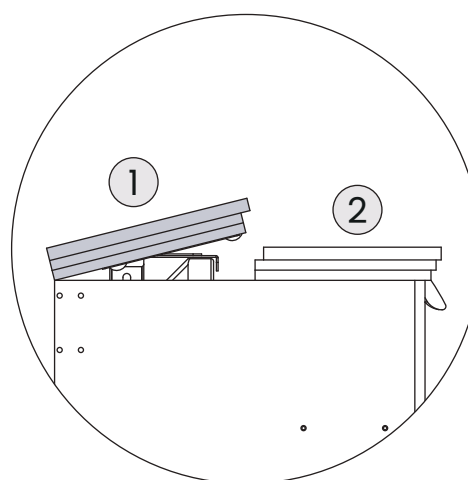
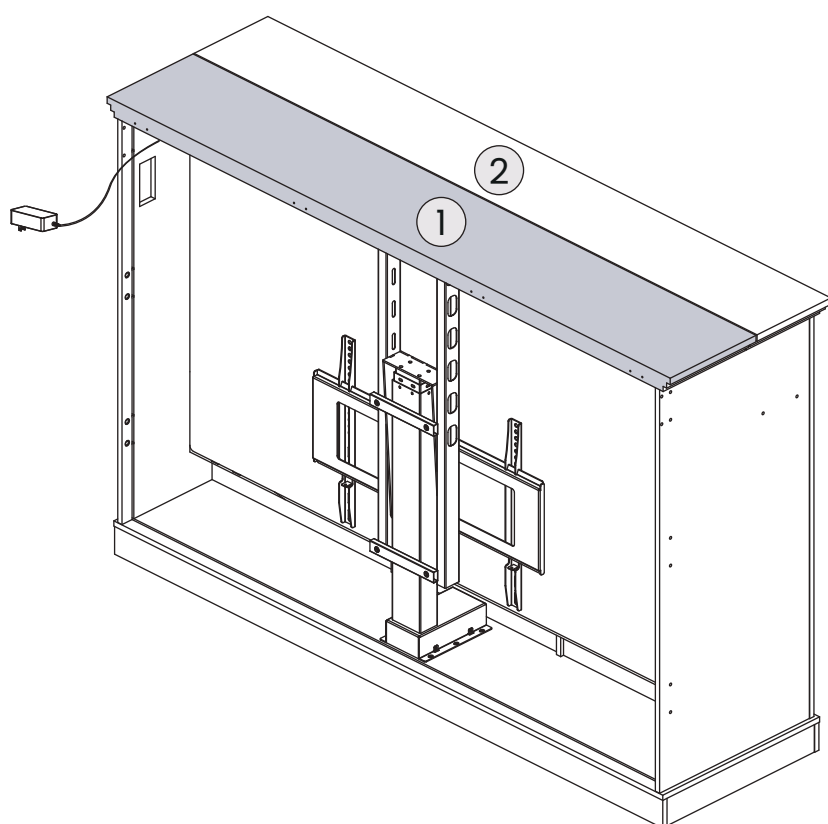
## 34

No screws are needed to fix it,  
just put it on top

Please install carefully and be  
careful not to damage the TV



The ①st and ②nd boards are  
very flat and can be  
installed in the next step  
Please put board ① aside



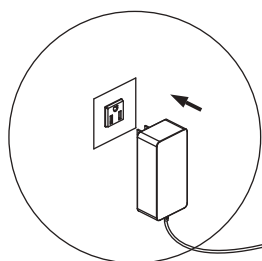
### problem 1

The ①st and ②nd boards are  
uneven, please skip to  
page 33 for adjustment  
and installation. Please  
put board ① aside

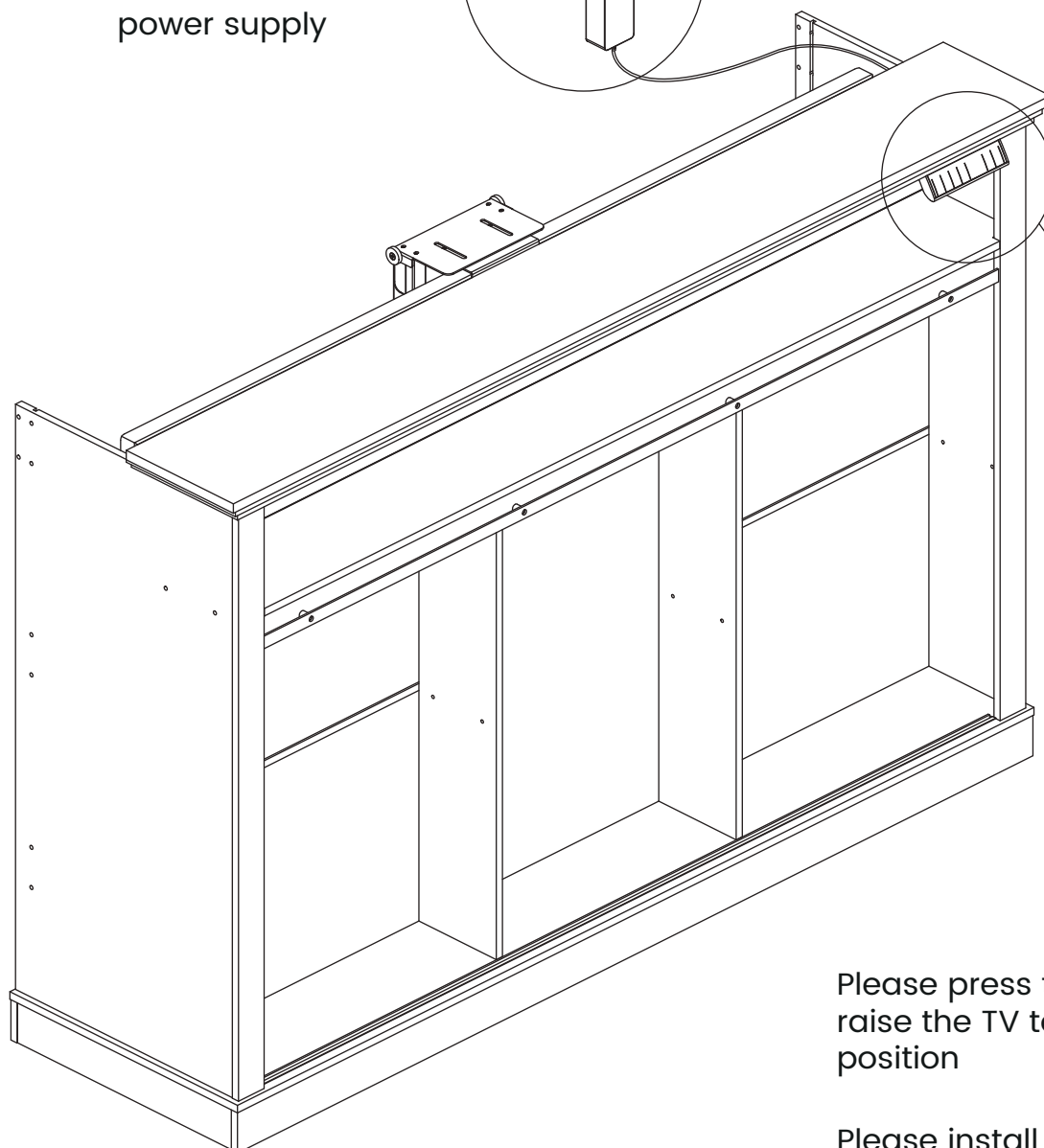
# Assembly Instruction

## 35

Please connect the power supply

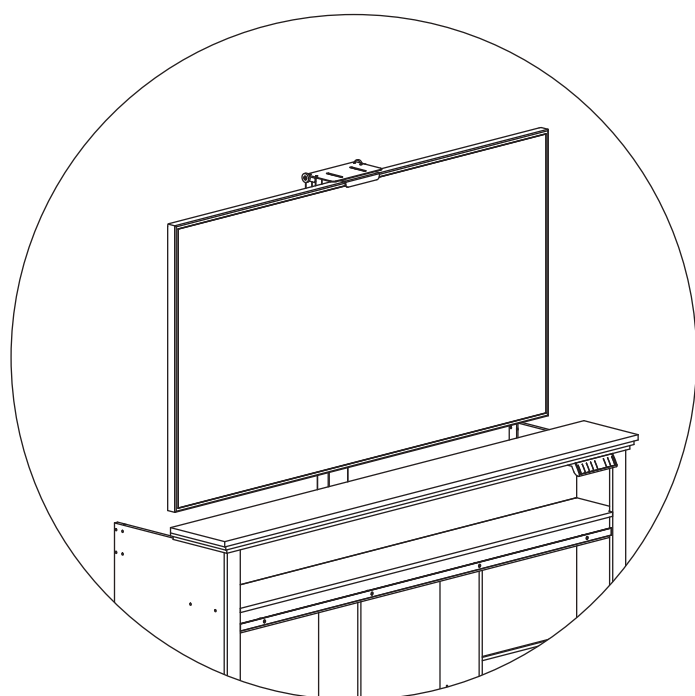


Before proceeding with the operation, please ensure that all wires are properly secured and avoid pulling or pulling

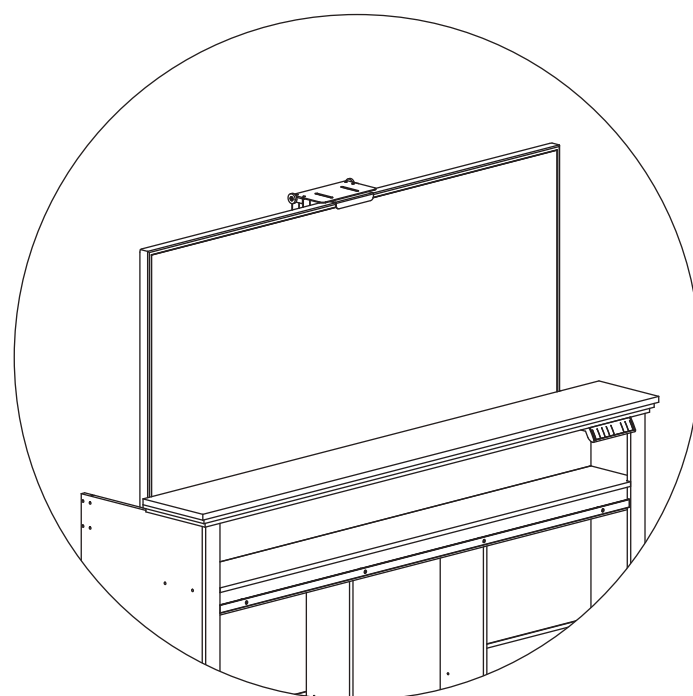


Please press the “△” key to raise the TV to its highest position

Please install carefully and be careful not to damage the TV



The TV is completely exposed from the countertop. Please press the “▽” key to lower the TV to the lowest position and continue with the next installation step



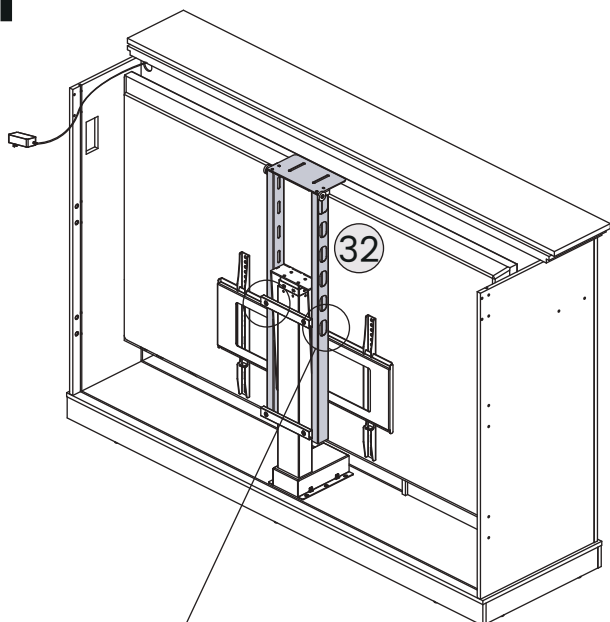
### problem 2

The TV is blocked by the countertop. Please press the “▽” key to lower the height to the lowest level, and then jump to page 33 to adjust the installation

# Assembly Instruction

## Solution

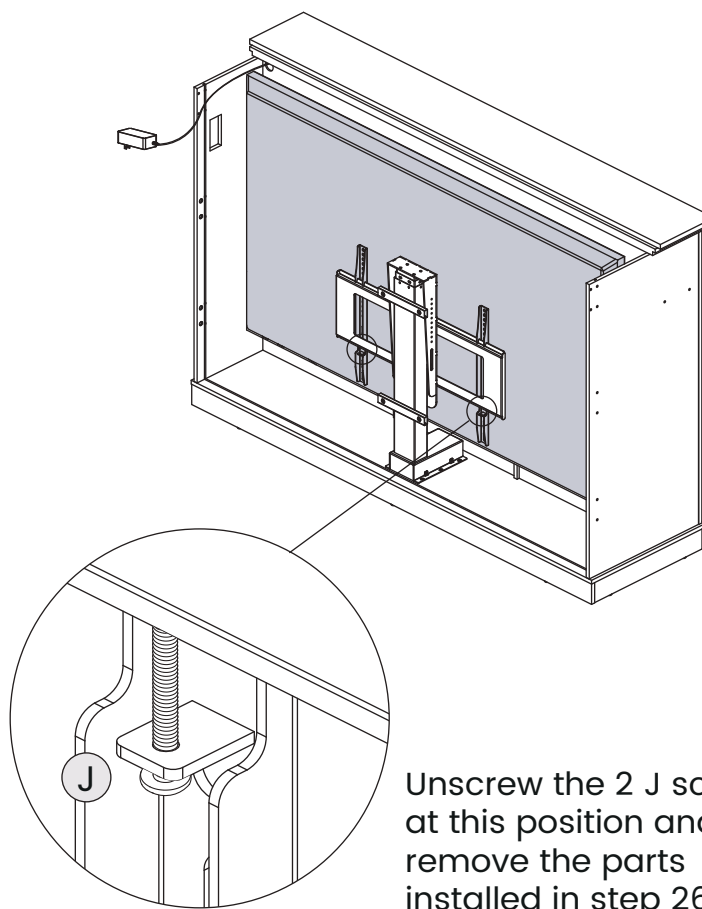
**1**



Unscrew the 4 B screws at this position and remove the parts installed in step 32

Be careful when disassembling, do not damage the TV

**2**

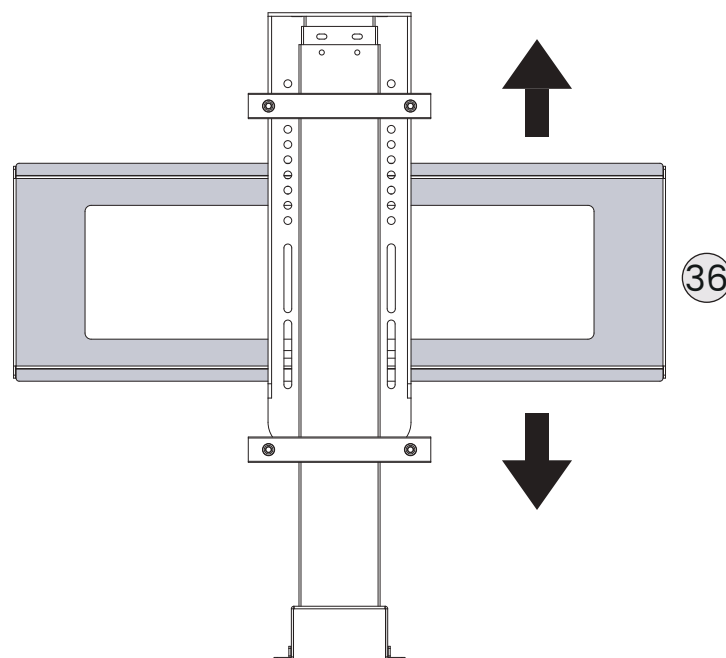
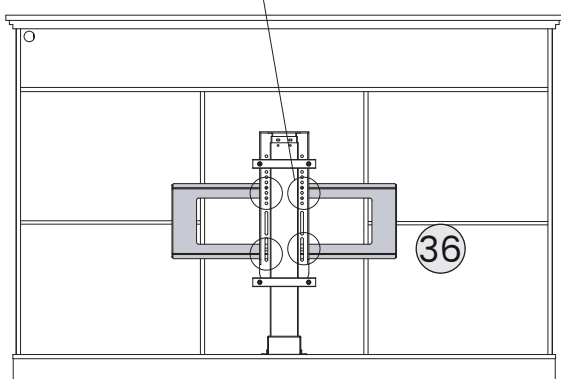
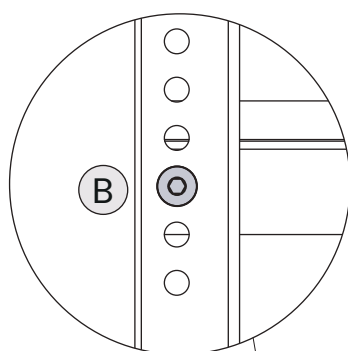


Unscrew the 2 J screws at this position and remove the parts installed in step 26

Be careful when disassembling, do not damage the TV

**3**

Unscrew the 4 B&O screws and nuts at this position, and then remove part 36

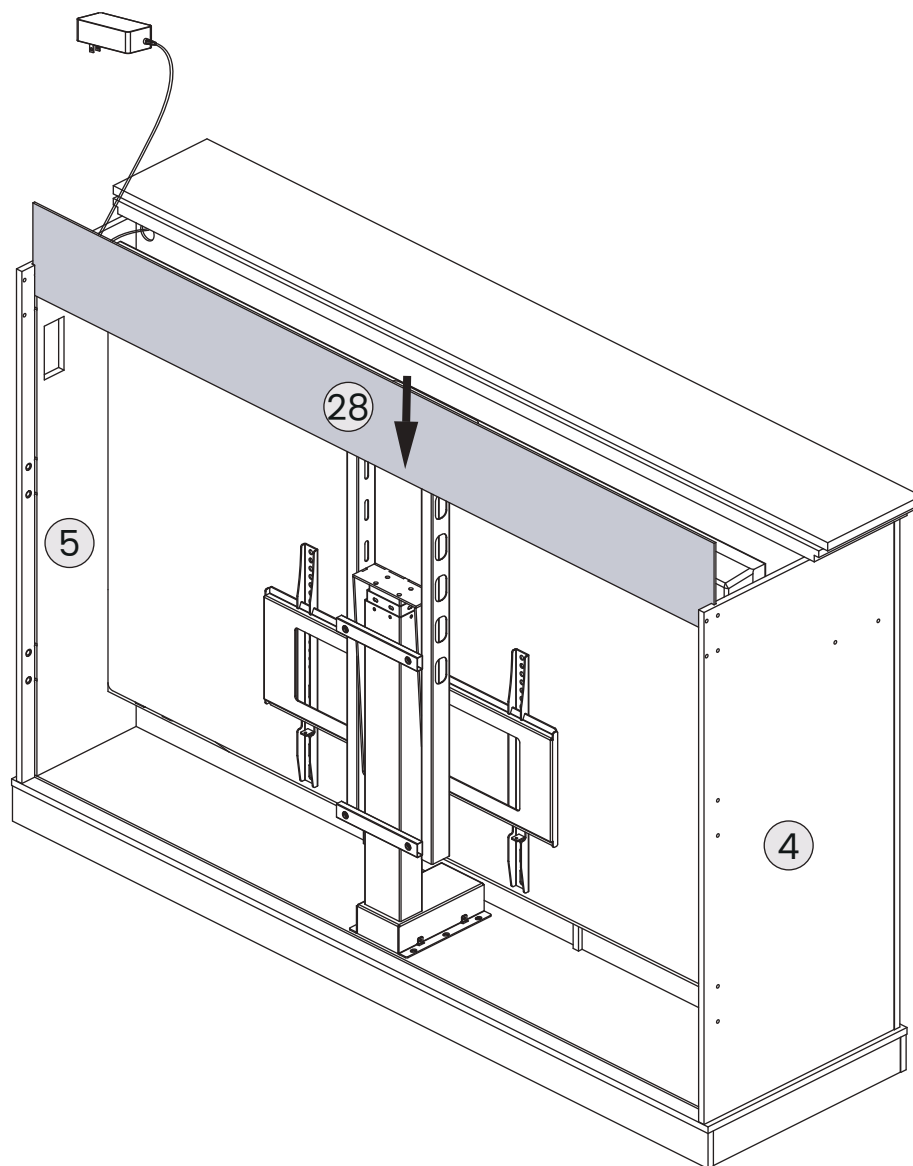


**Install part 36 downwards to solve problem 1**  
**Install part 36 upwards to solve problem 2**

Install part 36, please skip to step 26 to continue installation

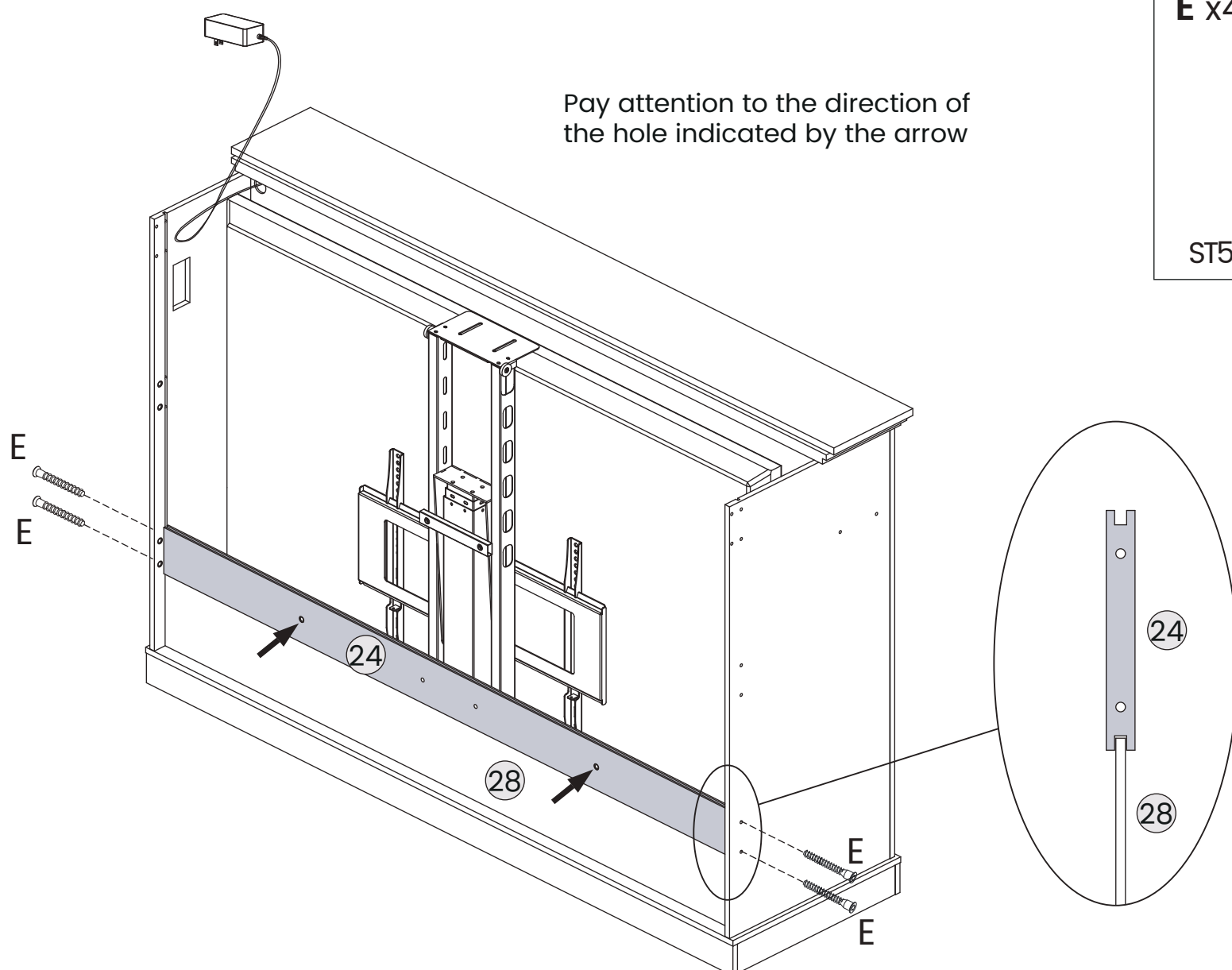
# Assembly Instruction

## 36



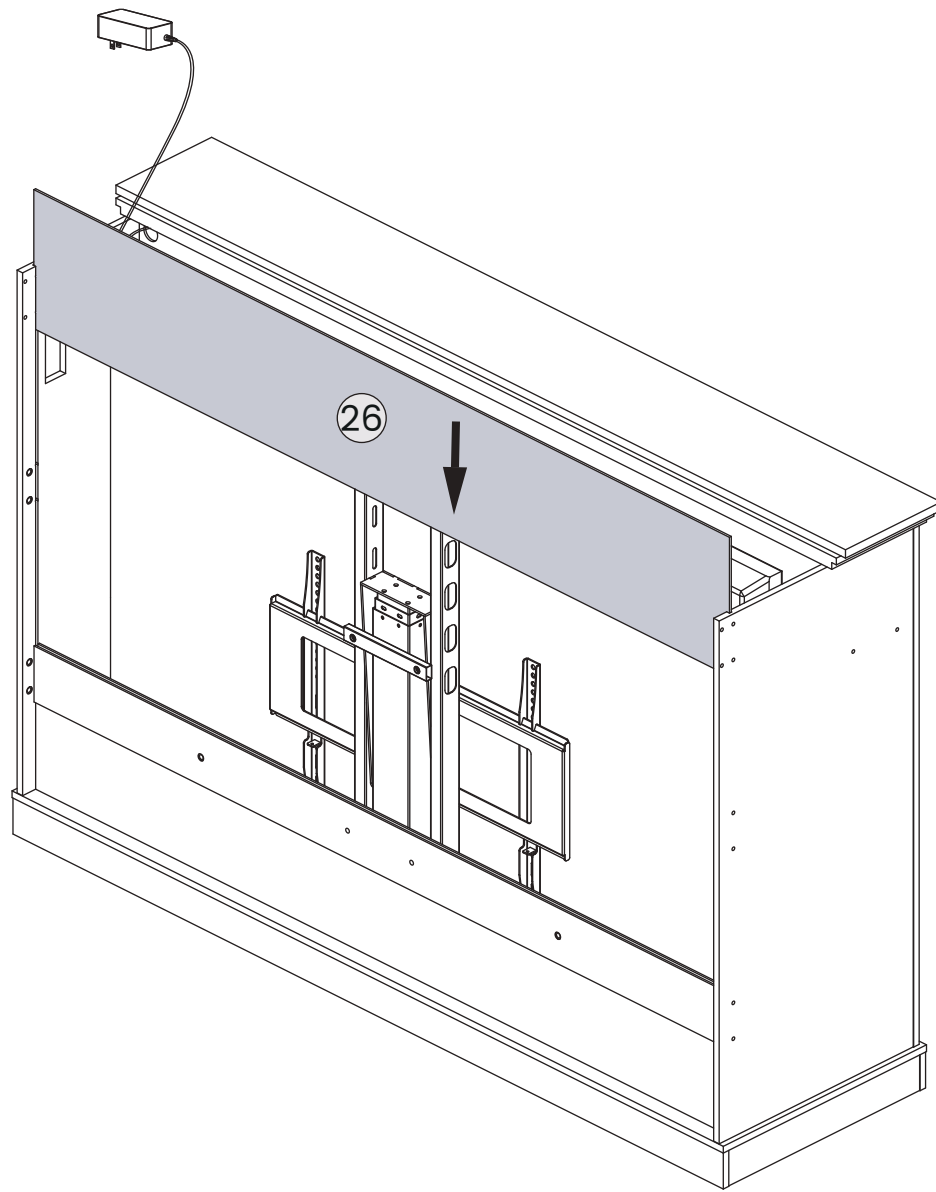
## 37

Pay attention to the direction of the hole indicated by the arrow

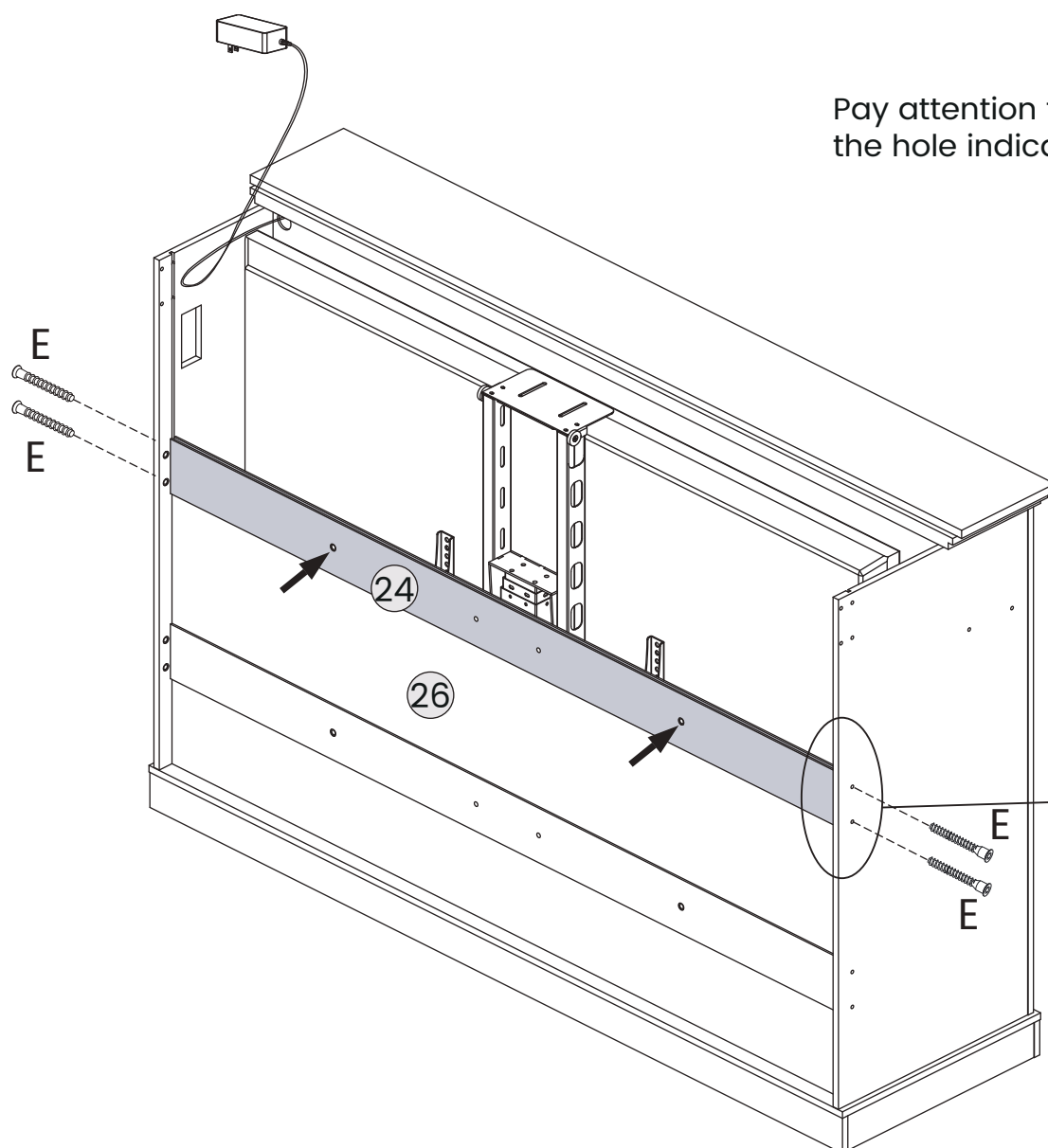


# Assembly Instruction

## 38

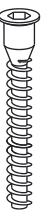


## 39



Pay attention to the direction of the hole indicated by the arrow

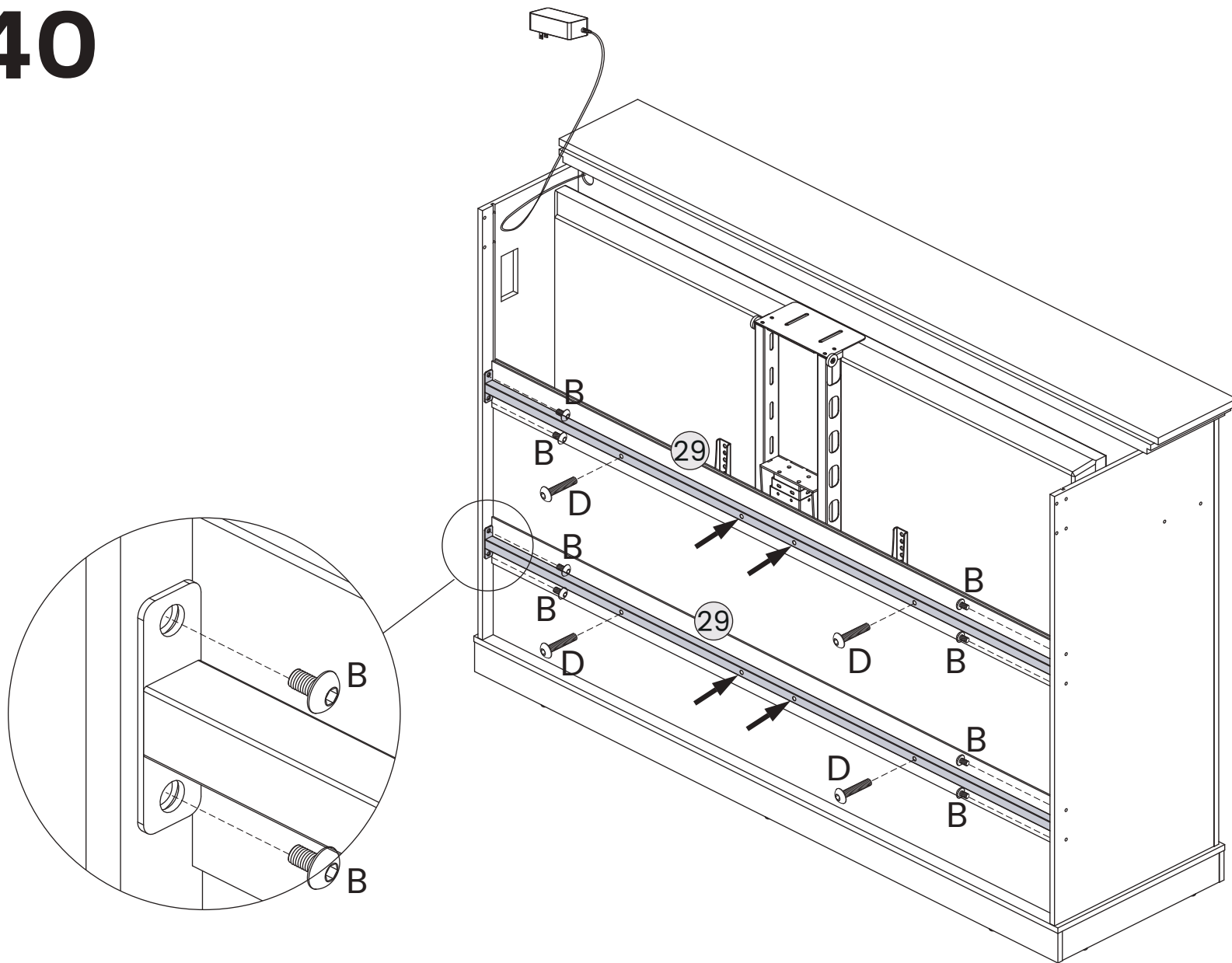
E x4



ST5X40MM

# Assembly Instruction

## 40

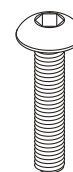


**Bx8**



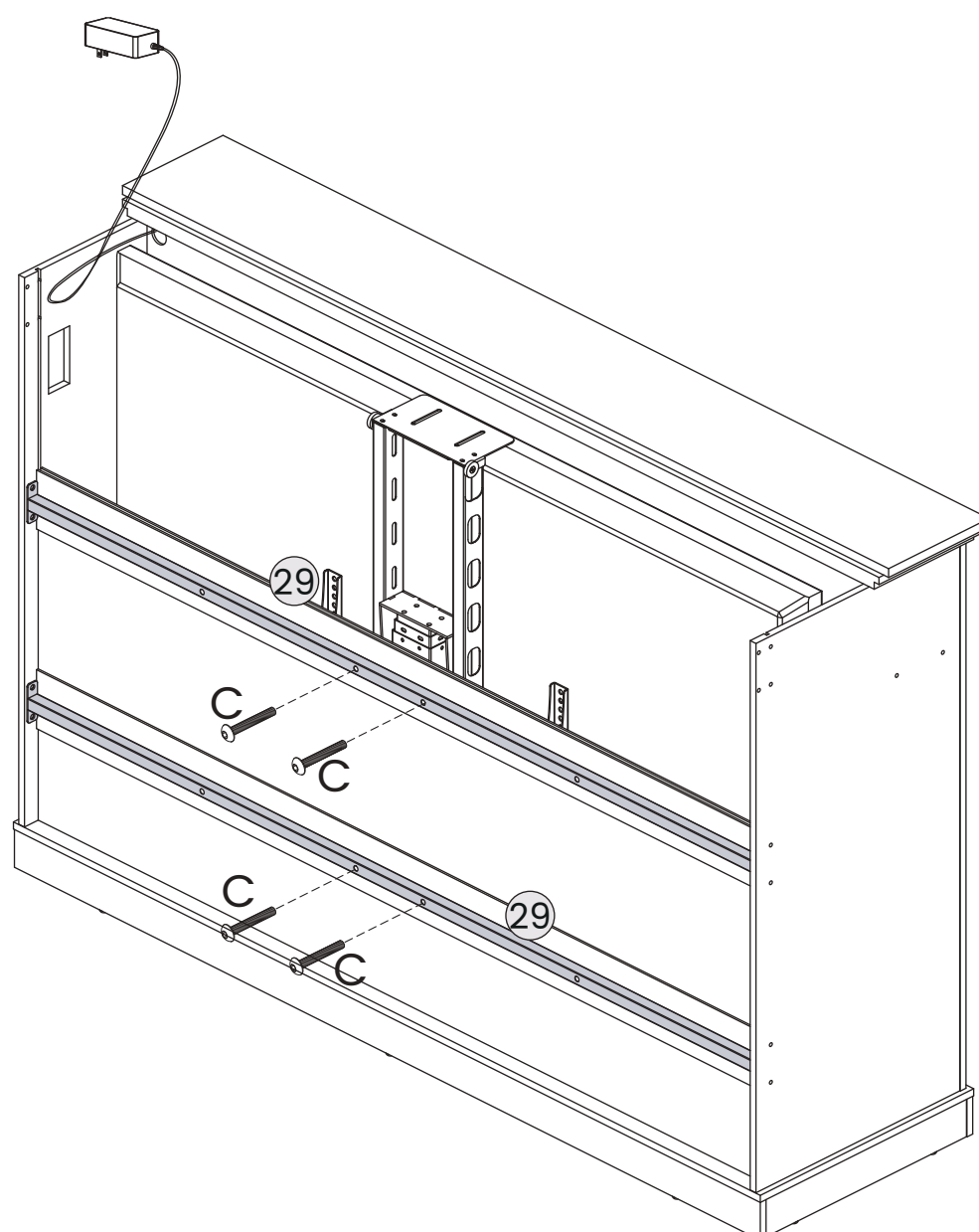
M6X12MM

**Dx4**

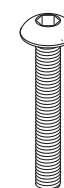


M6X28MM

## 41



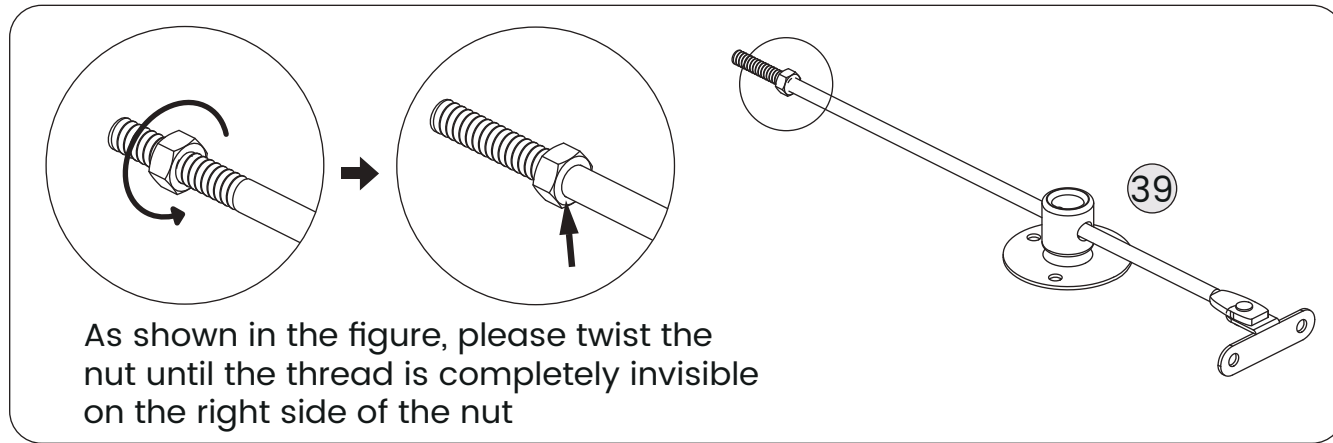
**Cx4**



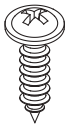
M6X40MM

# Assembly Instruction

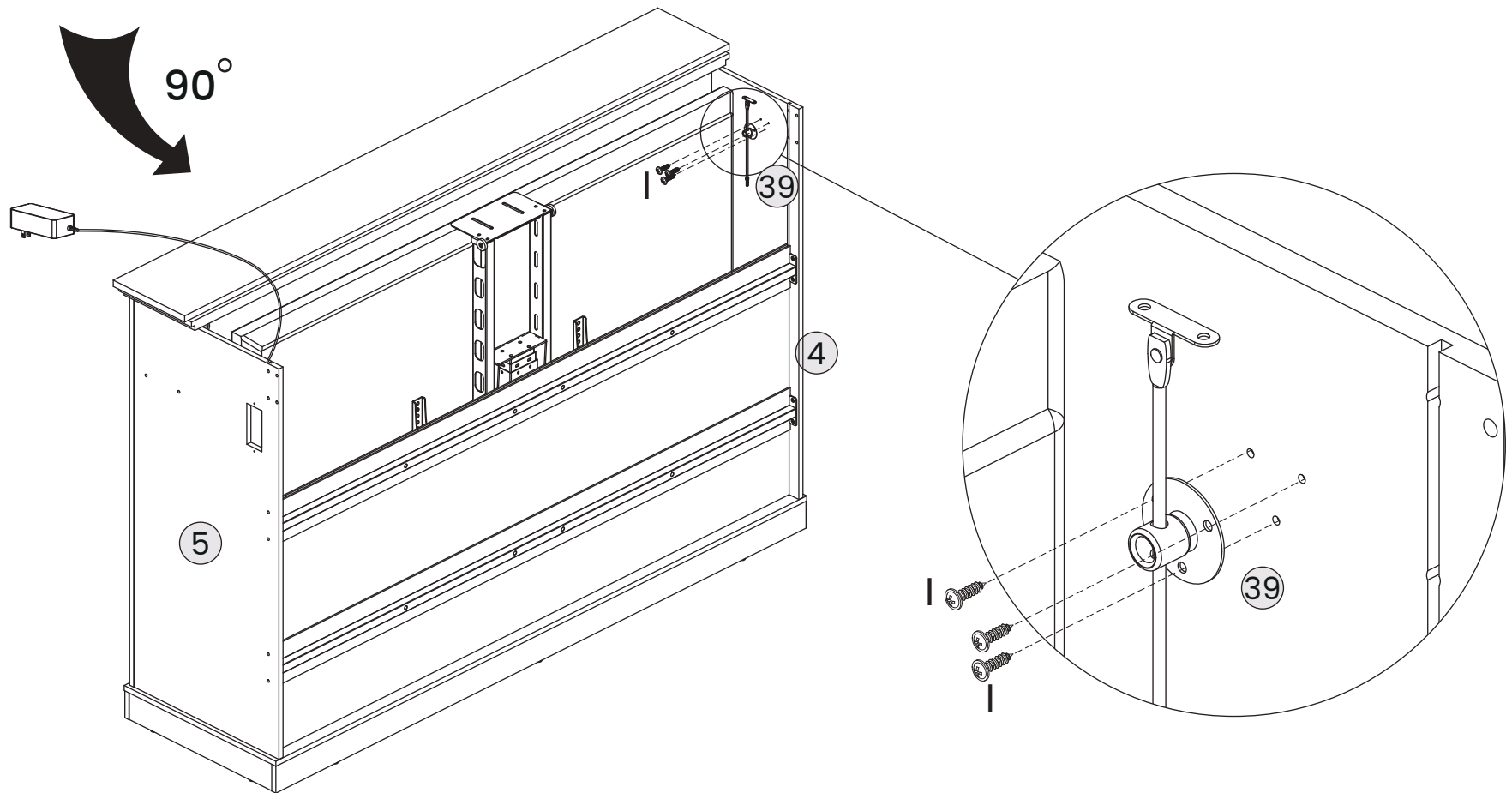
## 42



1x3

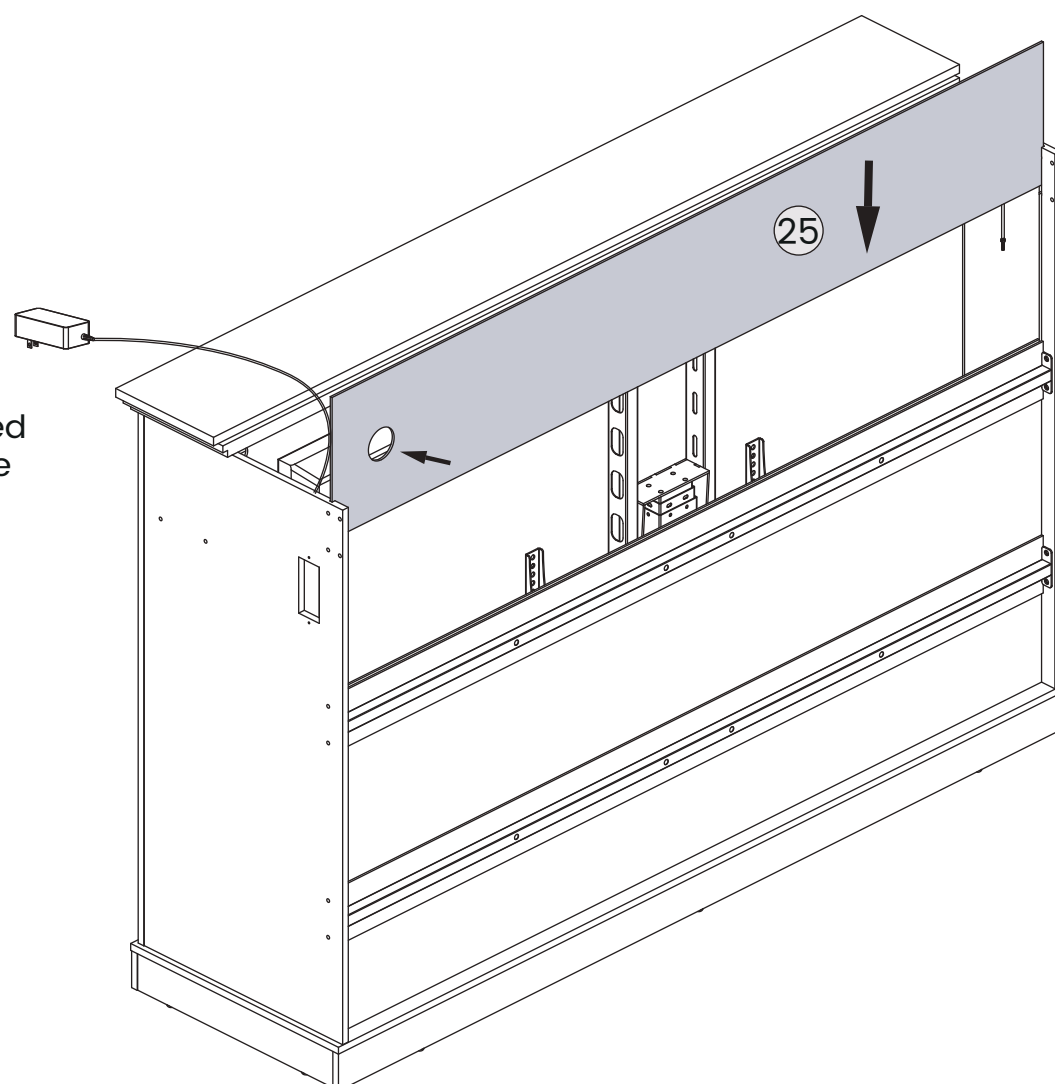


ST4x2MM



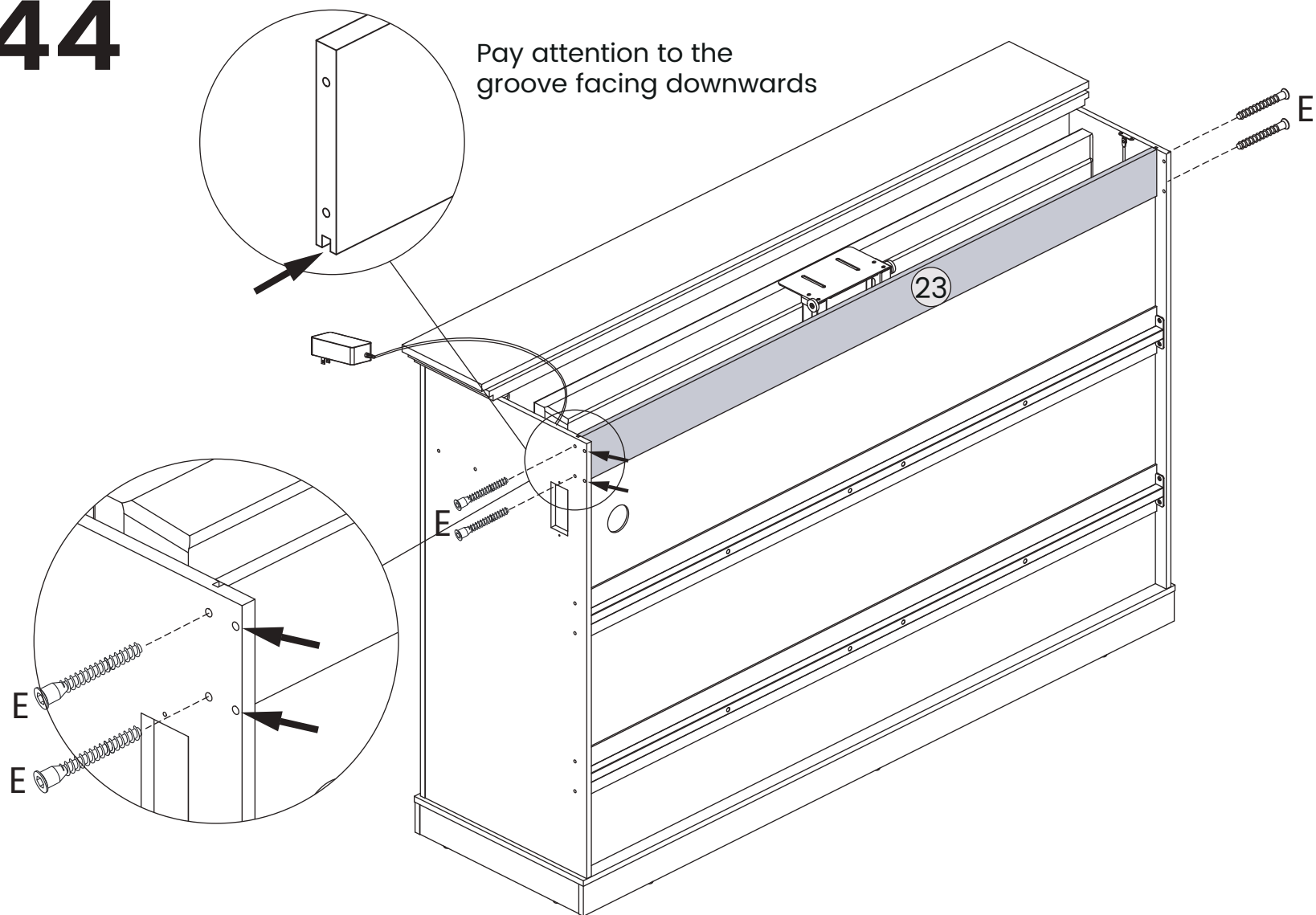
## 43

Note that the hole indicated by the arrow is close to the controller

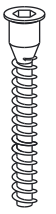


# Assembly Instruction

## 44

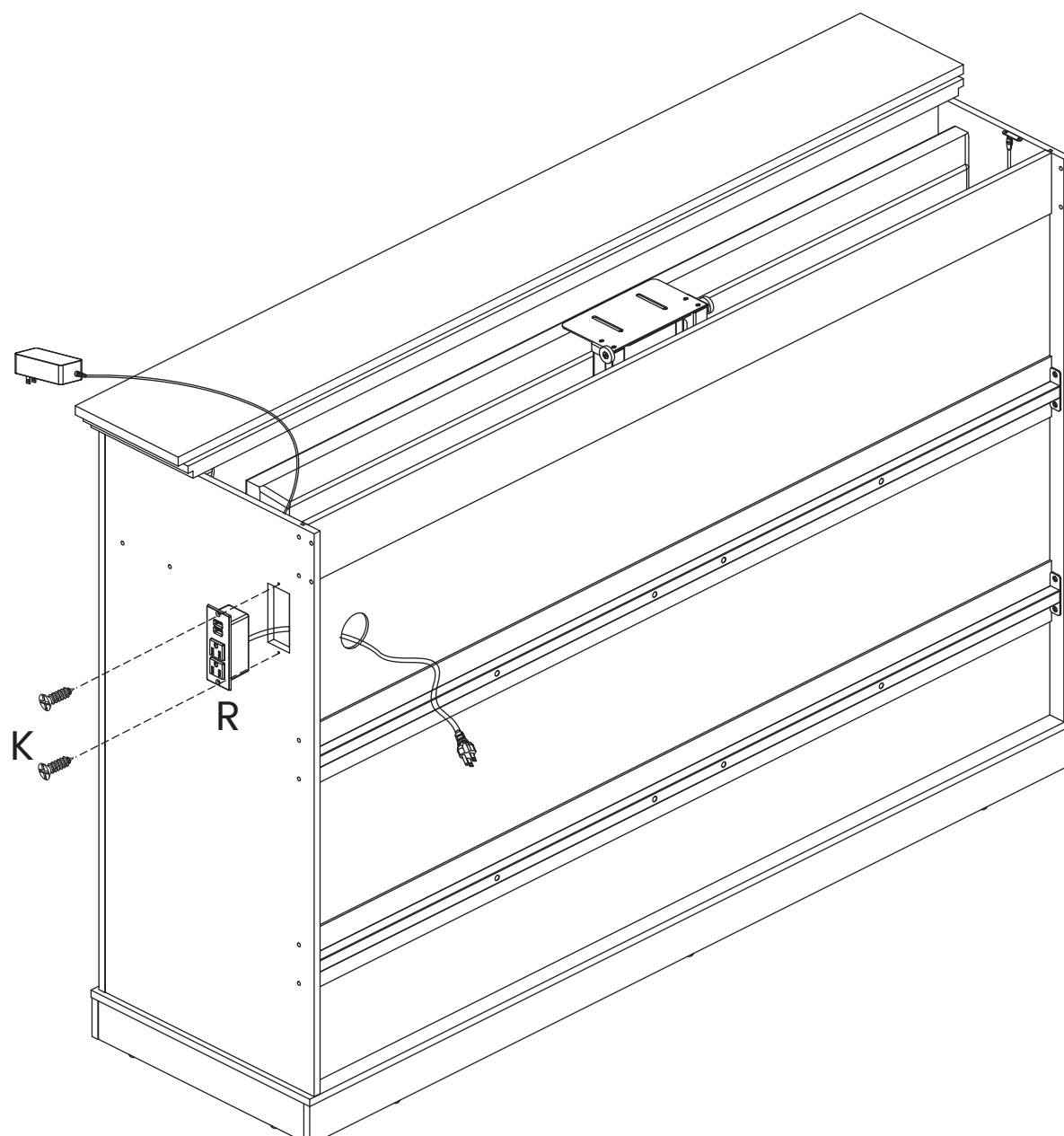


E x4



ST5X40MM

## 45

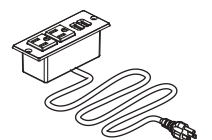


Kx2



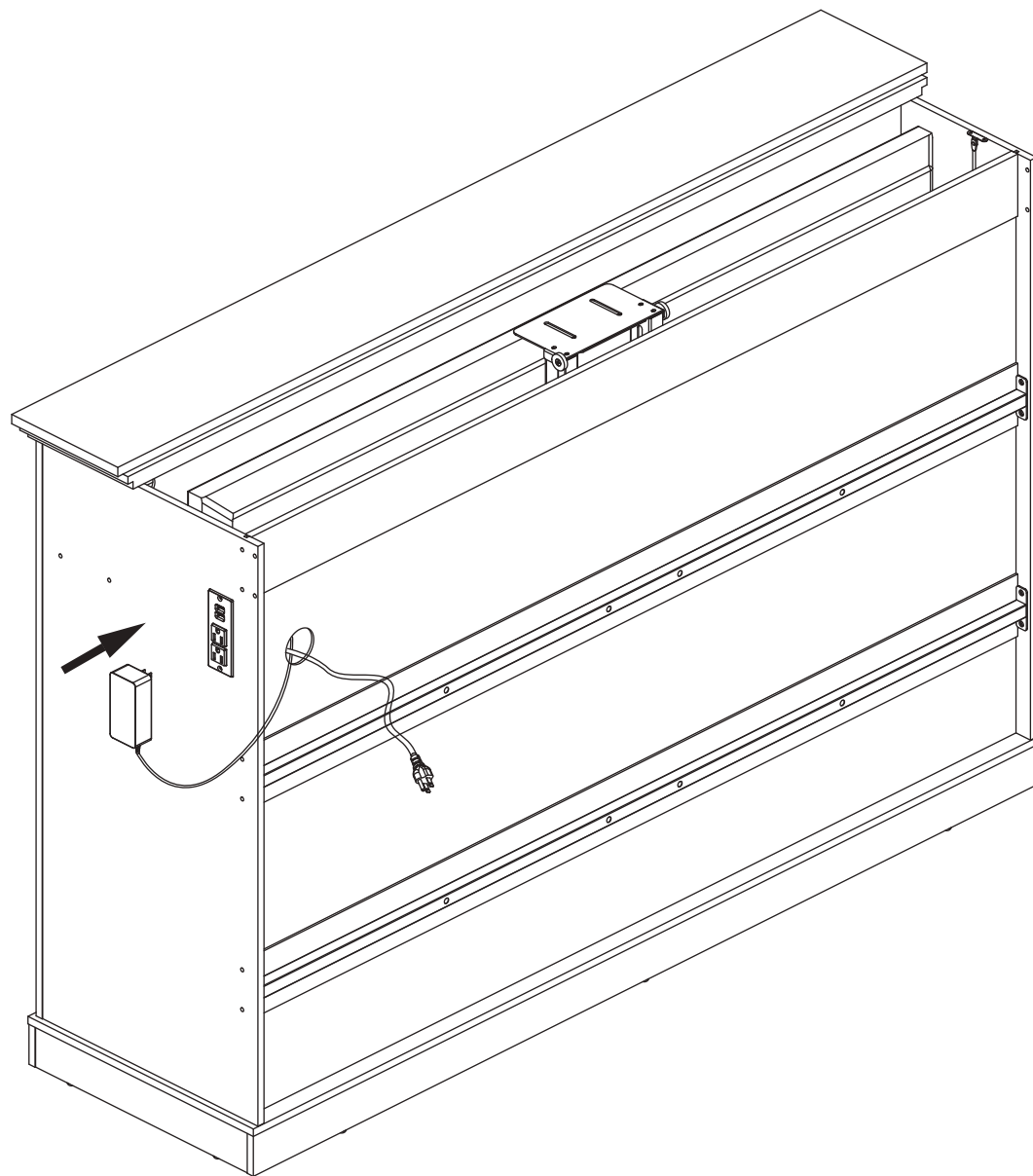
ST4x12MM

Rx1

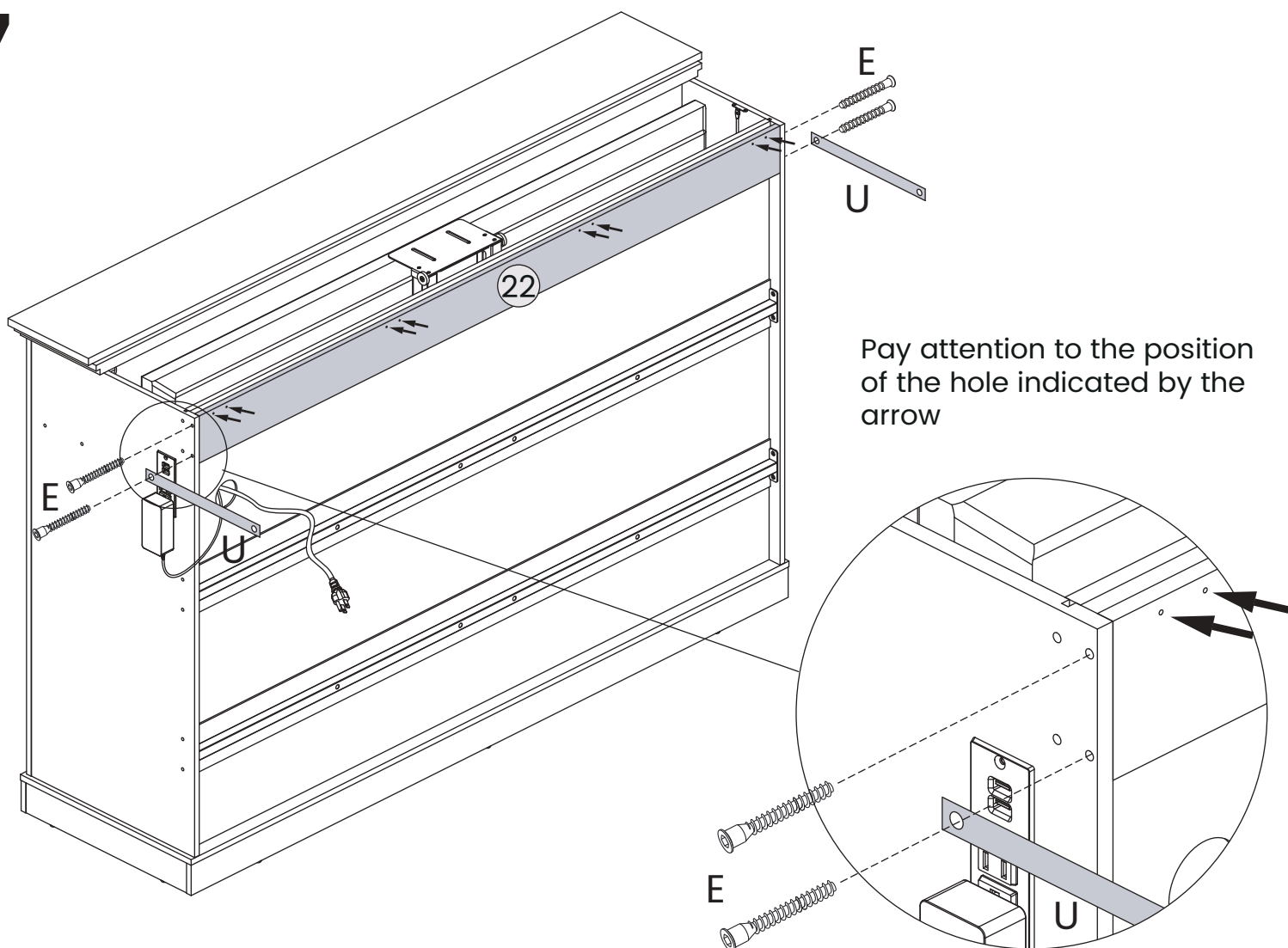


# Assembly Instruction

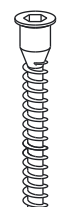
## 46



## 47

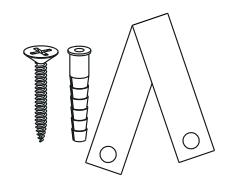


**E x4**



ST5X40MM

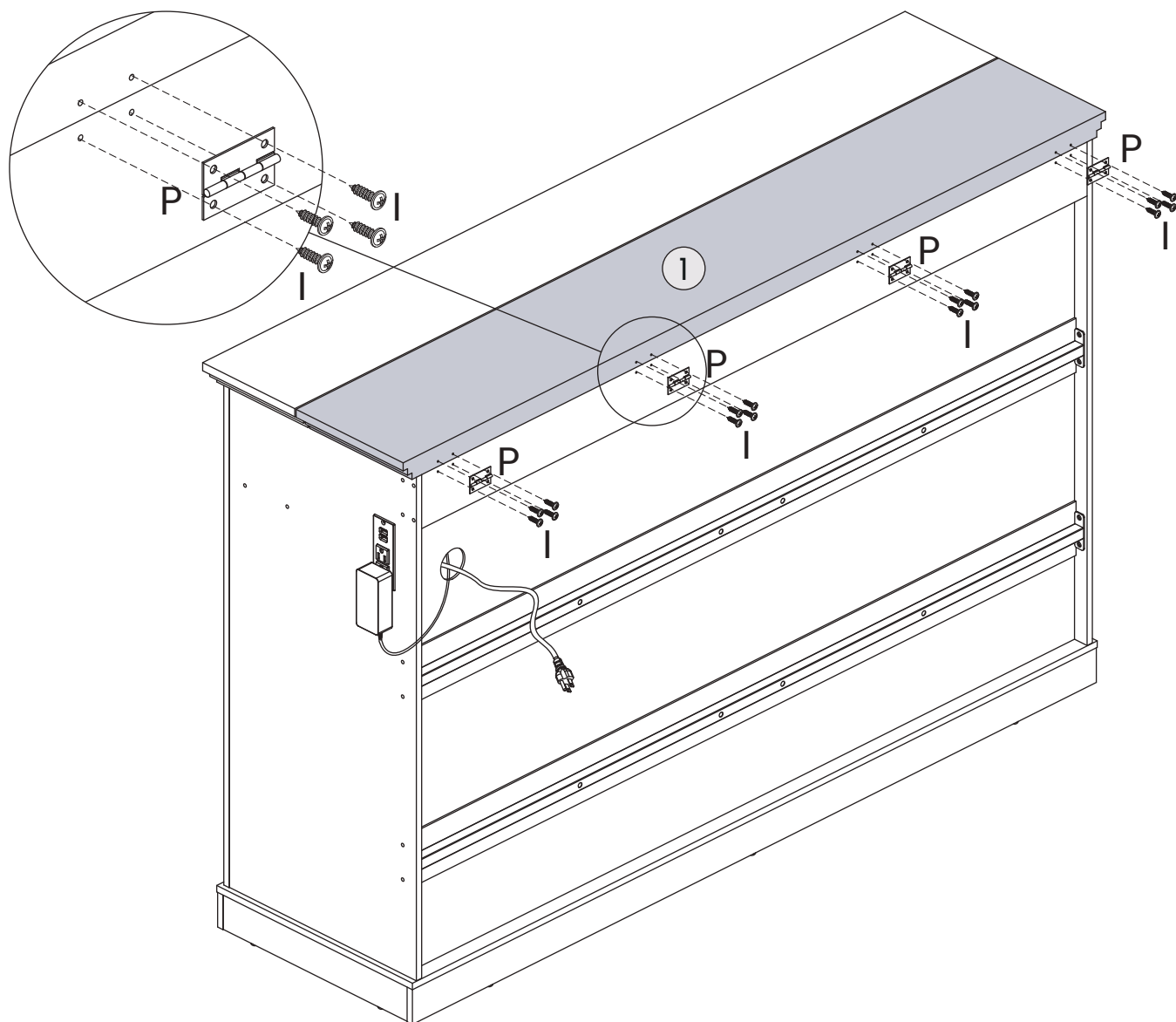
**U x2**



Pay attention to the position of the hole indicated by the arrow

# Assembly Instruction

## 48

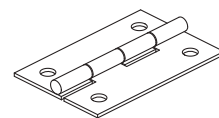


Ix16

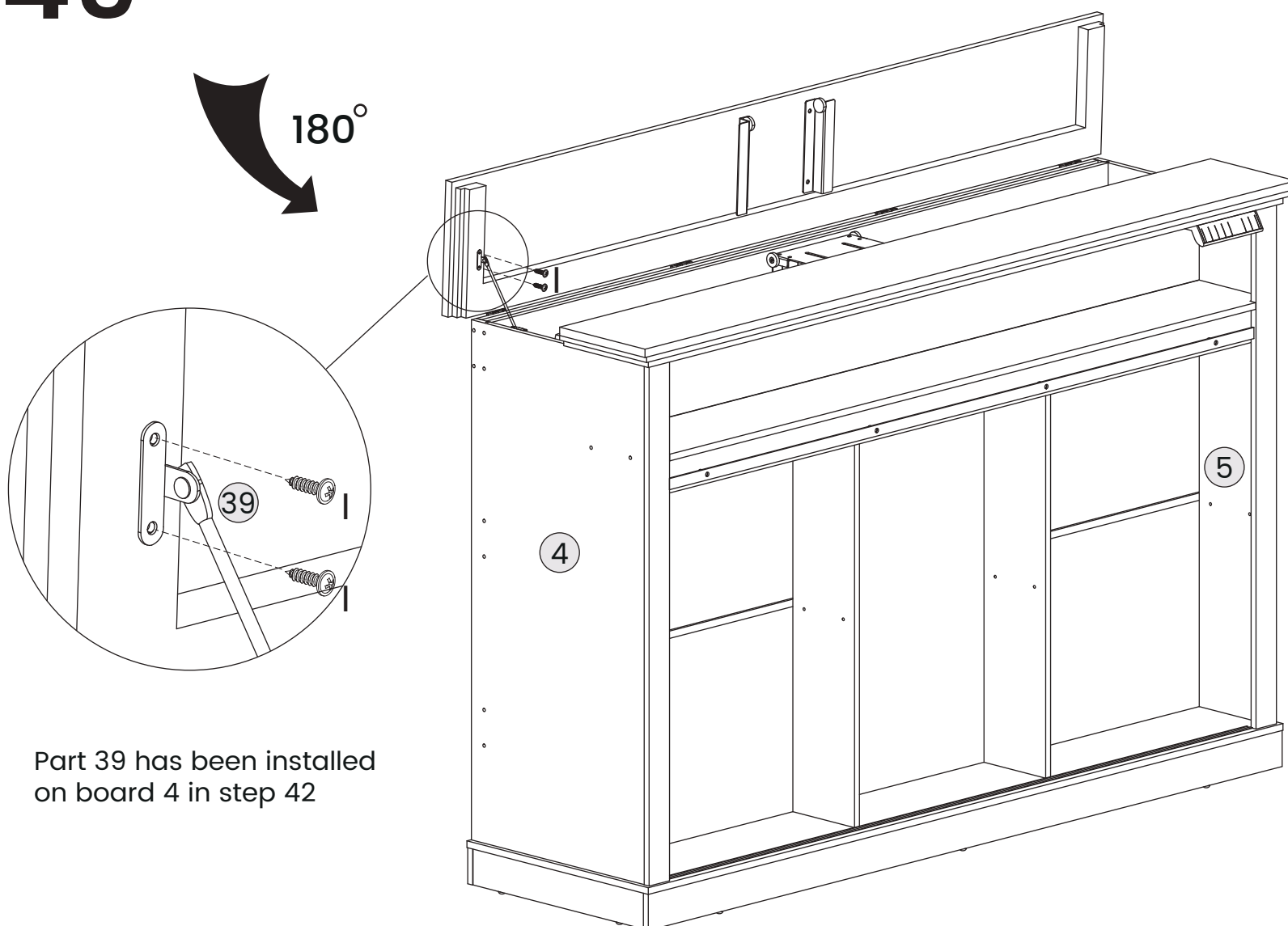


ST4x12MM

Px4



## 49



Ix2

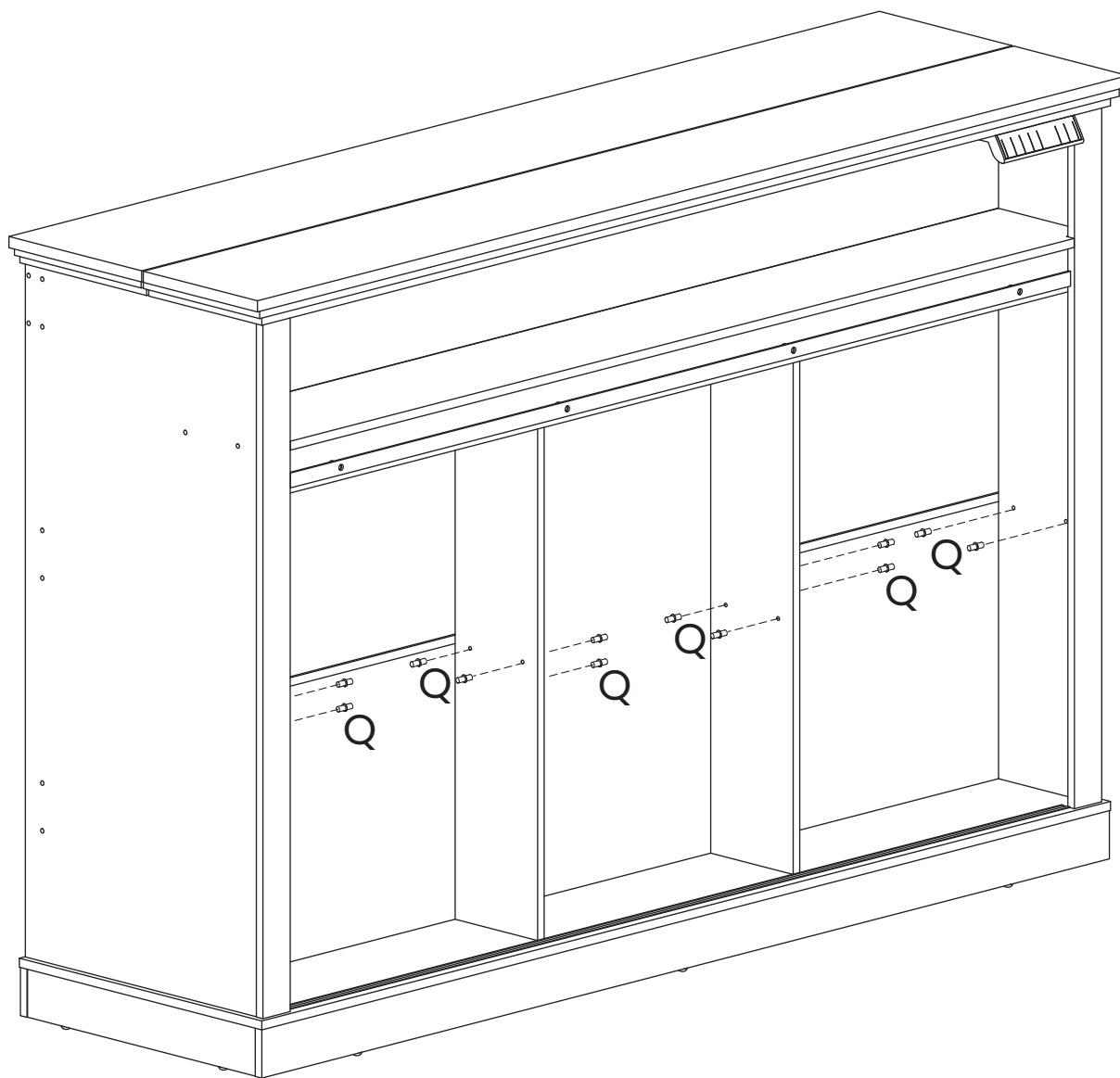


ST4x12MM

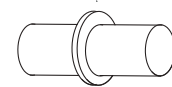
Part 39 has been installed on board 4 in step 42

# Assembly Instruction

## 50

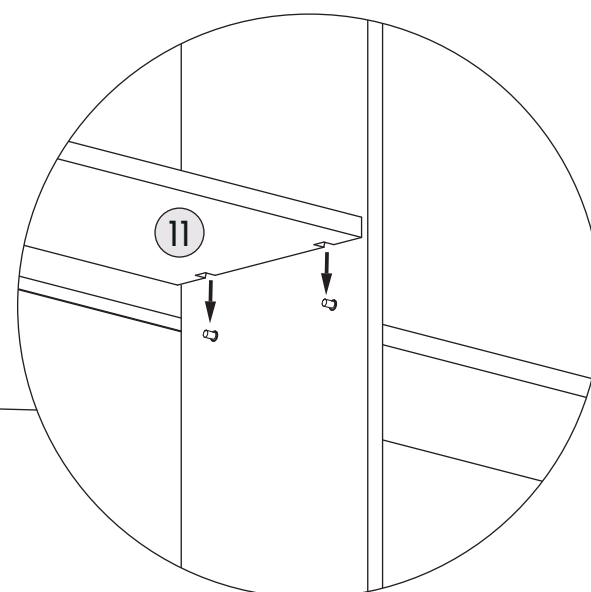
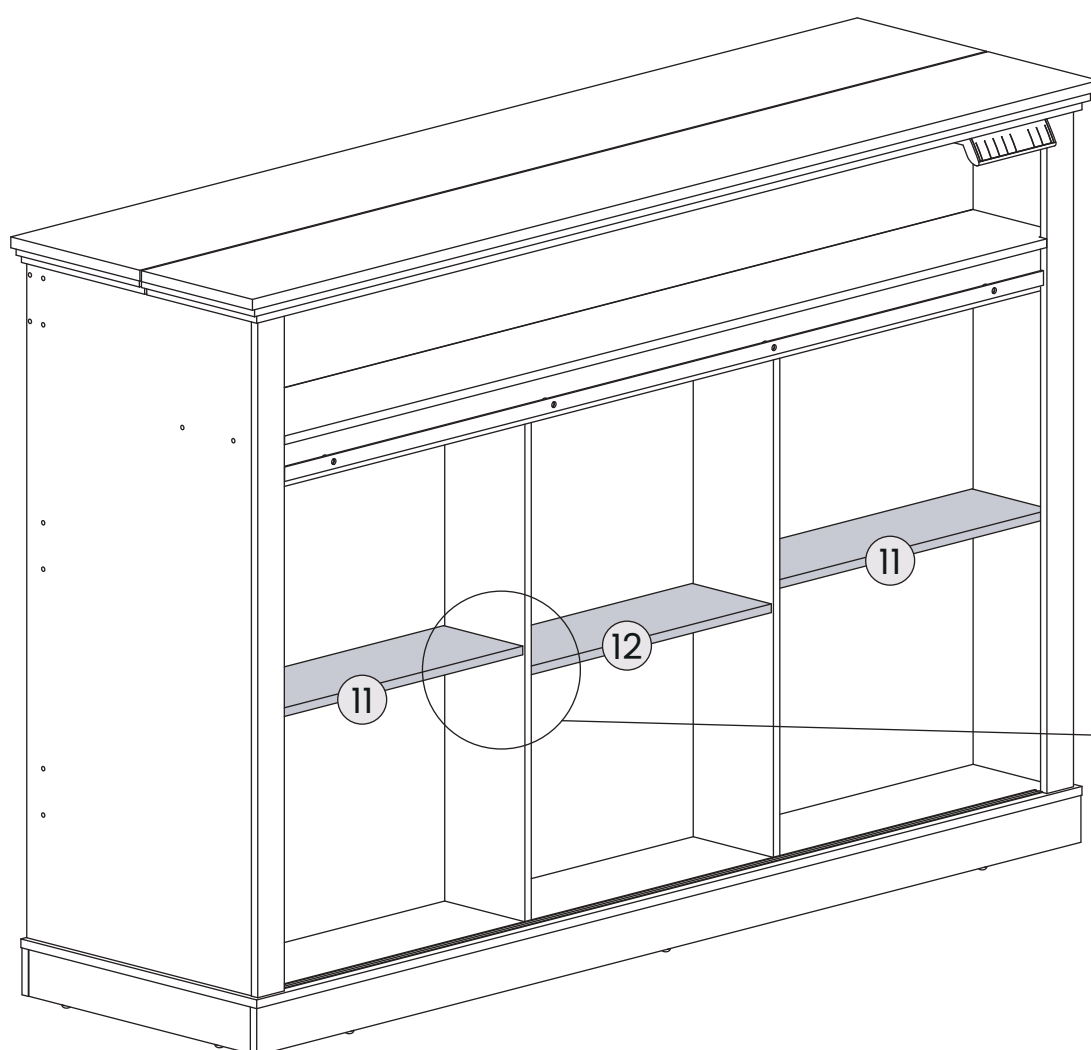


Qx12



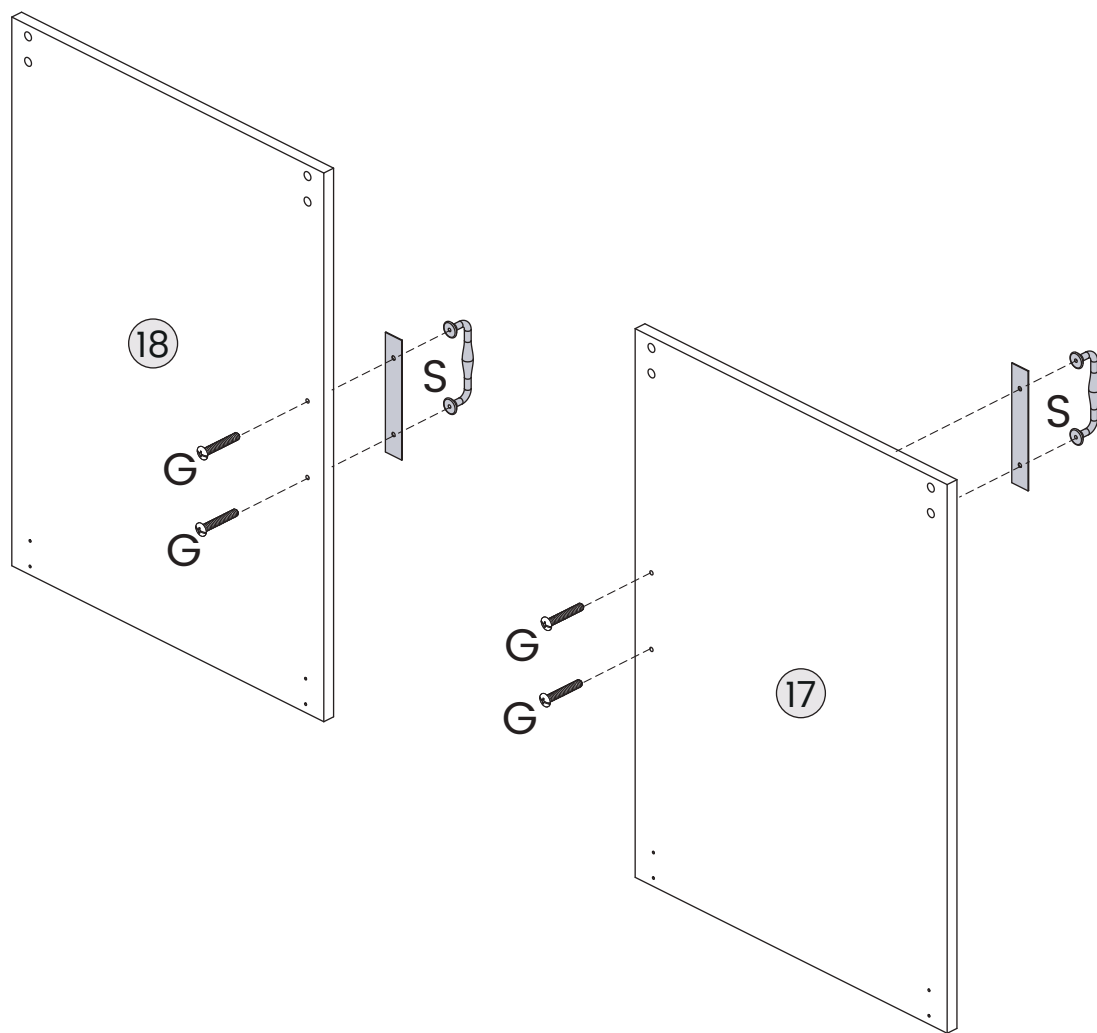
Ø5

## 51

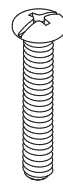


# Assembly Instruction

## 52

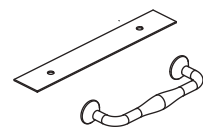


**G**x4

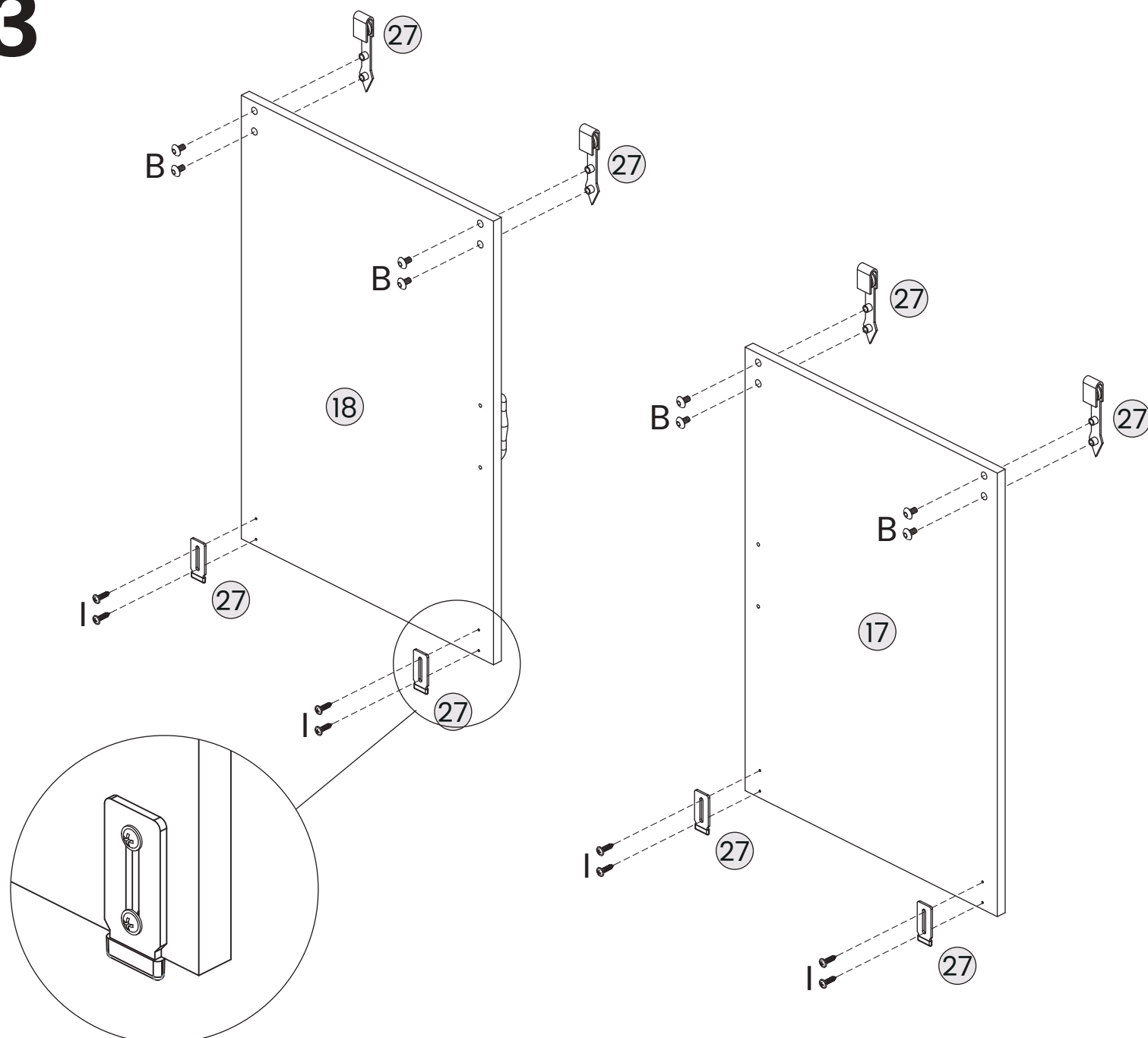


M4x20MM

**S** x2



## 53

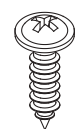


**B** x8



M6x12MM

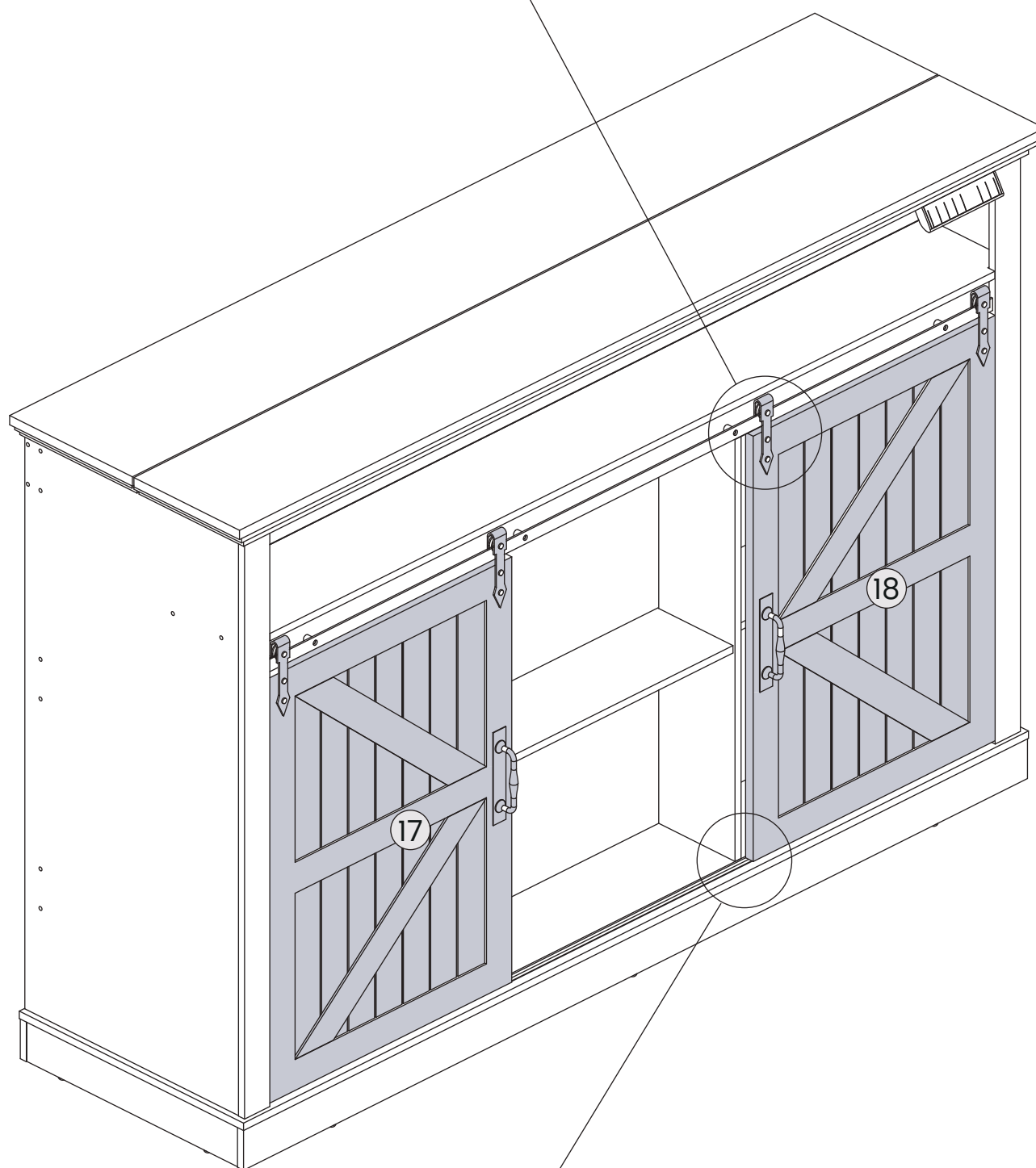
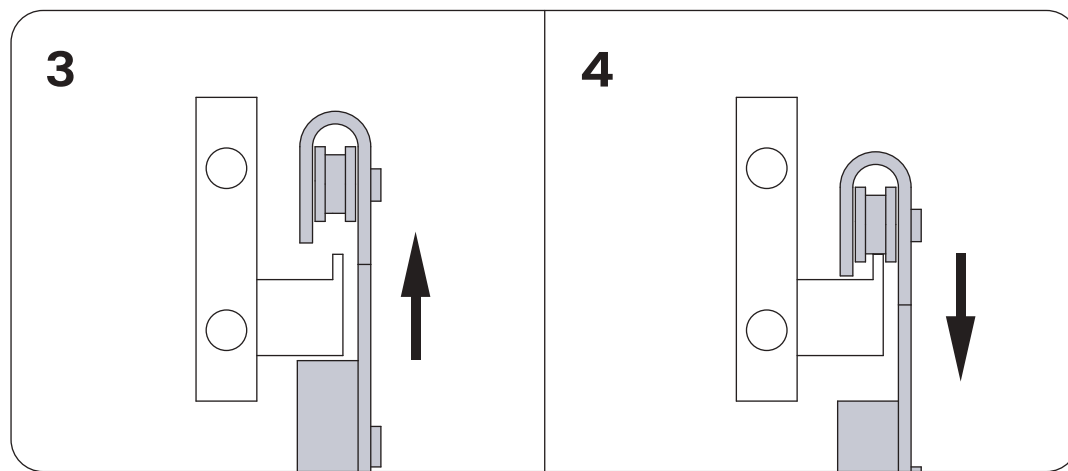
**I** x8



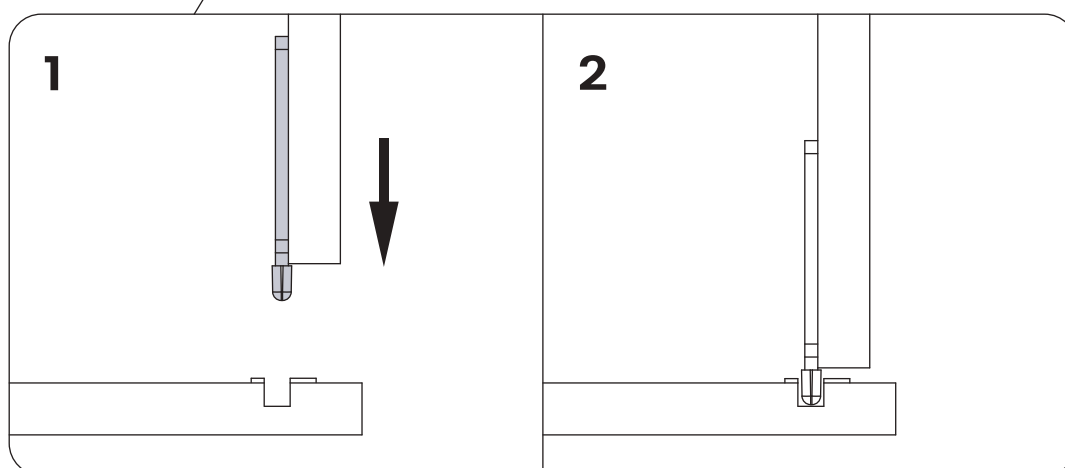
ST4x12MM

# Assembly Instruction

## 54



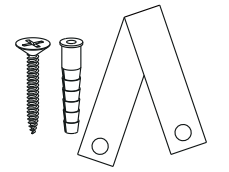
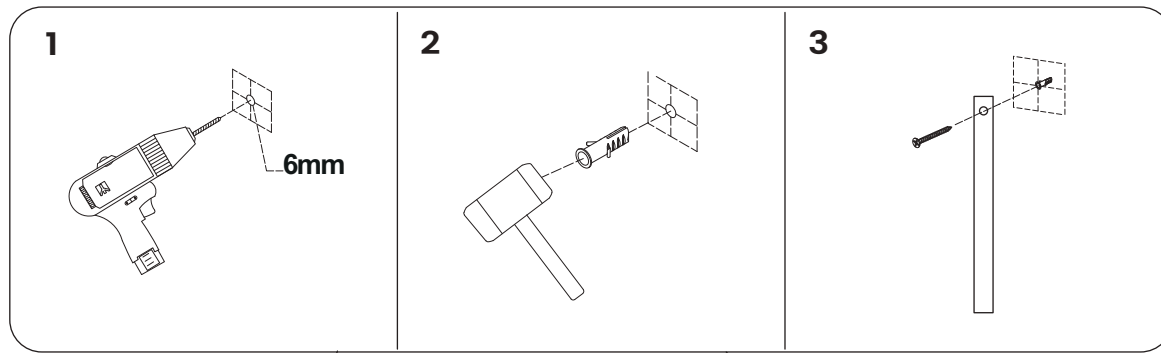
Pay attention to centering the handle



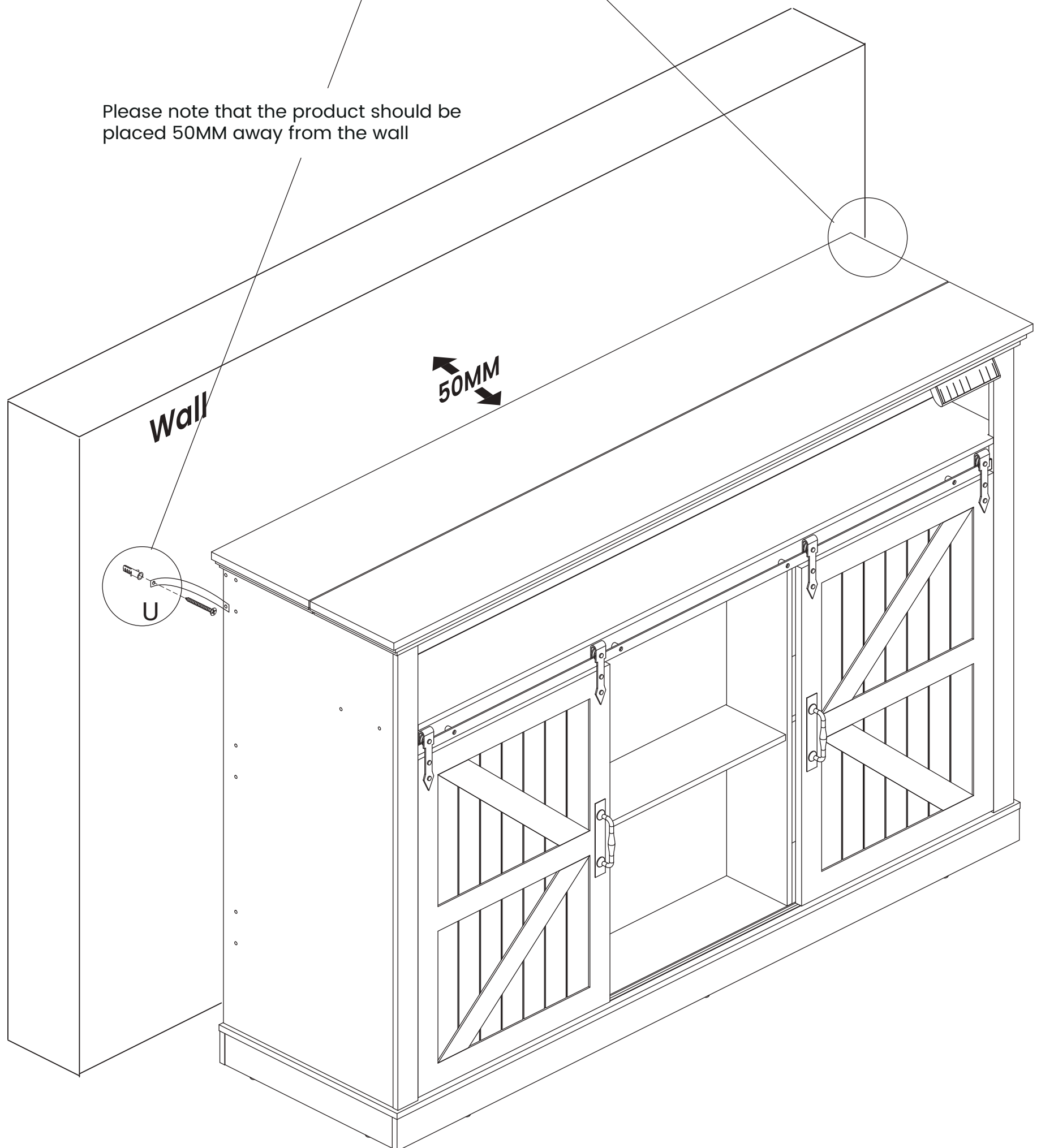
# Assembly Instruction

## 55

Ux2

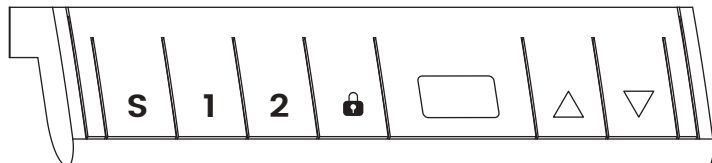





Please note that the product should be placed 50MM away from the wall







# Assembly Instruction

## Instructions for using the hand controller



<b>S</b>	Set key, used by users to set parameters
<b>1</b>	Memory key 1, the first height saved by the user
<b>2</b>	Memory key 2, the second height saved by the user
	Press the child lock to disable other functions
	Up arrow key, adjust the standing desk to move upwards
	Press the down arrow to adjust the height of the standing desk to move upwards

### Table lifting and lowering

- Simply press and hold the “” or “” key to control the lifting table to rise or fall.
- Press and hold the “” key to control the lifting table to rise, and you can see the increase in height (displayed number) on the three digit digital display; Press and hold the “” key to control the lowering of the lifting table, and you can see the decrease in height (displayed number) on the three digit digital display.

### Call and Setting of Memory Height

On the height display interface, press the number keys to call up its corresponding height, and the lifting table will automatically run to the corresponding position.

On the height display interface, press the S key briefly, and the height value will start flashing. At this time, press the number keys (1, 2) to record the current height to the corresponding position. If there is no number key pressed within 6 seconds of flashing, the memory mode will be exited.



### Wake up from screen shutdown

If there is no button operation for a long time, the digital tube will automatically turn off. At this time, pressing any button can light up the digital tube.

### Parameter Settings

- ① After holding down the S key for 3 seconds, the digital display will show "S -" and start flashing;
- ② 2. Press the S key again to enter the setting mode and display the function name. The functions that can set parameters include:
  - Table height display unit: Unit( $U_n$ );
  - Buzzer switch: Beep( $bEE$ );
  - The strength of collision protection: Collision Force( $CF$ );
  - Slope protection level: Slope( $SLP$ );
  - Use height limit setting: Set Height ( $SH$ );
  - Product serial number: Serial Number( $Sn$ );
  - Demo mode gear setting: Demo ( $dE$ )

The functions of each button in the setting mode:

- 1** Return key, can return to the previous menu
-   Option switching
- S** Confirm button (confirm to enter the next level menu of the current interface or confirm to select the current parameter item)

If no key is pressed within 20 seconds, exit the setting mode;

# Assembly Instruction

Main menu interface	Submenu interface	Description	
<b>bEE</b> Beep	OFF off	After entering, the buzzer switch status set last time will be displayed. Use the “△” and “▽” keys to flip through the options (Off, On). Once selected, press the S key to save the current option value and exit the setting mode.	
	On on		
<b>CF</b> Collision Force	OFF off	After entering, the collision force level set last time will be displayed. You can use the “△” and “▽” keys to flip through the options (Off, L, N, H). Once selected, press the S key to save the current option value and exit the setting mode.	
	L Light		
	n Normal		
	H Heavy		
<b>SLP</b> Tilt protection	OFF off	After entering, the collision force level set last time will be displayed. You can use the “△” and “▽” keys to flip through the options (Off, L, N, H). Once selected, press the S key to save the current option value and exit the setting mode.	
	L Light		
	n Normal		
	H Heavy		
<b>SH</b> Set Height	O Original Adjust the resolution to 1cm or 0.5inch.	After entering, you can use the “△” and “▽” keys to flip through the options (Original, Low, High). Once selected, press the S key to enter the parameter settings for the corresponding function.	After entering, the starting height set last time will be displayed. Press the “△” and “▽” keys to adjust it, press the S key to confirm, save the current value, and exit the setting mode.
	L Low Adjust the resolution to 1cm or 0.5inch.		After entering, the starting height set last time will be displayed. Press the “△” and “▽” keys to adjust it, press the S key to confirm, save the current value, and exit the setting mode.
	H High Adjust the resolution to 1cm or 0.5inch.		After entering, the starting height set last time will be displayed. Press the “△” and “▽” keys to adjust it, press the S key to confirm, save the current value, and exit the setting mode.
<b>SN</b> Serial Number		After entering, alternately display the user ID and production batch of the product, and automatically exit after 20 seconds.	
<b>dE</b> Demo  <b>PH_</b> (PassWord) You need to enter the password using the numeric keypad before continuing with the operation  (password:11111)	OFF off	After entering, the last set gear will be displayed (if entering for the first time, it will be displayed as OFF). Use the “△” and “▽” keys to flip through the options (OFF, S1, S2, S3, S4, S5). If OFF is selected and the S key is pressed, exit the demonstration mode (the height value will be displayed); if other gears (S1, S2, S3, S4, S5) are selected, press the S key to save the current option and switch to demo mode (which will display the number of automatic runs in demo mode).  In demonstration mode, press the “△” or “▽” key to start or stop the fatigue test.	
	S1 5min On,15min Off		
	S2 1 cycle / 4min		
	S3 1 cycle / 6min		
	S4 1 cycle / 10min		
	S5 1 cycle / 1min		

# Assembly Instruction

## Protection and Alarm

Display	Display	Method
<b>E02</b>	Obstacle protection	When the desktop vibrates, collides, or tilts during the movement, an alarm will be triggered and the movement will be immediately stopped. The reverse movement will be automatically released after a set distance is set, or any key will be pressed to stop and release during the reverse movement. It should be checked and ensured that the table does not vibrate significantly, collide with obstacles, or tilt during operation.
<b>Hot</b>	overheat protection	Continuous long-term operation may activate this protection, and it should be powered on again or wait for at least 15 minutes before use.
<b>E10</b>	Motor abnormality protection	Power off, recheck and ensure that the connection between the motor and controller is reliable, and then power on again.
<b>E20</b>	overload protection	When running upwards, this alarm appears. Remove some heavy objects from the table before running again; If this alarm occurs while running downwards, the power should be turned off, some heavy objects on the table should be removed, and then the power should be turned on again.
<b>E31</b>	Undervoltage protection	Power off, recheck and ensure that the connection between the power supply and the controller is reliable, and then power on again.
<b>E32</b>	Overvoltage protection	Power off, recheck and ensure that the connection between the power supply and the controller is reliable, and then power on again.
<b>E60</b>	Out of step protection	Power off, recheck and ensure that all channel motors are identical and their connection to the controller is reliable, and then power on again. Note: Only multi motor systems have "out of step protection".
<b>Trip reset</b>	Single motor stroke reset	In the alarm state of "E10, E20" or after running to the lowest height position, press and hold the "▽" key for 3 seconds to display "rE5" (Reset), then release it. The lifting table starts to run down to the bottom and rebound to a certain height. The reset is completed and the lowest height is displayed.
	Multi motor stroke reset	In the alarm state of "E10, E20, E60" or after running to the lowest height position, press and hold the "▽" key for 3 seconds to display "rE5" (Reset), then release it. The lifting table starts to run down to the bottom and rebound to a certain height. The reset is complete and the lowest height is displayed.

## Child Lock

- On the height display interface, after long pressing the child lock button for a period of time, the screen will display LoC and other functions cannot be operated;
- On the child lock lock interface, long press the child lock button for a period of time to unlock the screen, which displays the current height.



## 3-years Warranty

We guarantee your product is free from defects in product materia and workmanship for three(3) years starting from the date of purchase during normal use of household conditions.If your appliance fails to operate properly within our warranty period,We will send the corresponding accessories,Replacement is free and all shipping costs are covered



## Quick Response within 24 Hours

If you are still unable to resolve the issue, please contact us through the Amazon order page for customer support. Whether the product has been installed or not, our customer support team will respond within 24 hours and assist you promptly.

# Problems You May Encounter

Part	Problem	Solution
<b>Cloth drawers</b>	Why use cloth drawers	<ol style="list-style-type: none"> <li>1. Reducing tree extraction is more environmentally friendly</li> <li>2. More convenient to use and assemble</li> <li>3. Reduced the thickness of the side panel, resulting in a larger actual storage space</li> </ol>
<b>Whole Product</b>	Parts are missing, defective or having wrong parts in package	You can contact us and we will get back to you within 24 hours
	Having issue(s) while reading the instruction or completing the assembly	Feel free to contact us and we will get back to you within 24 hours
	Encountering non-human caused damage during usage	If the product is damaged due to non-human causes, please keep the product and send us photos of it. We will ascertain the cause of the product damage within 48 hours and provide you with a satisfactory solution
<b>Table Surface</b>	Board surface is broken, scratched or lacks some screw holes	Feel free to contact us and we will get back to you within 24 hours
	The screw holes on the board and the steel frame don't line up	<ol style="list-style-type: none"> <li>1. Please tighten the screws on the board by 70%, do not tighten completely</li> <li>2. Adjust board and steel frame until the screw holes are lined up, then tighten all the screws</li> </ol>
	The desk board is uneven or not tight, has gaps after being assembled	<ol style="list-style-type: none"> <li>1. Loosen the screws in the uneven or gap positions; adjust until the desktops are flat and tight, then tighten the screws</li> <li>2. If your problem still can't be solved, please feel free to contact us</li> </ol>
<b>Steel Frame</b>	The steel frame is bent, broken, painted, rusted or damaged	Feel free to contact us and we will get back to you within 24 hours
	The table is unstable after being assembled	<ol style="list-style-type: none"> <li>1. Check if the screws are tightened</li> <li>2. Read through the manual, check if there are any parts installed incorrectly or missing assembly</li> <li>3. If your problem still can't be solved, please feel free to contact us</li> </ol>
	Encountering non-human caused damage during usage	If the product is damaged due to non-human causes, please keep the product and send us photos of it. We will ascertain the cause of the product damage within 48 hours and provide you with a satisfactory solution

Thank you  
for choosing our product

