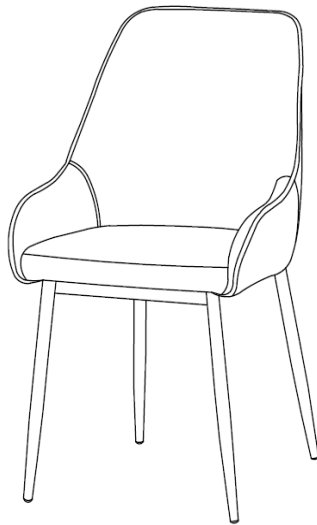


# BEAUMONT DINING CHAIR

## ASSEMBLY GUIDE



SCAN ME

[www.furniturebox.co.uk](http://www.furniturebox.co.uk)

Scan QR code for more tips,  
advice and assembly video or visit  
[furniturebox.co.uk/club/general-club-page](http://furniturebox.co.uk/club/general-club-page)

**Important - Please read these instructions fully before starting assembly**



**SAFETY AND  
CARE ADVICE**



**NO POWER TOOLS**

**SAFETY AND CARE ADVICE**

- Check you have all the components and tools listed.
- Remove all fittings from the plastic bags and separate them into their groups.
- We do not recommend the use of power drills/drivers for inserting screws, as this could damage the unit. Only use hand screwdrivers and Allen keys.
- Keep children and animals away from the work area, small parts could cause choking if swallowed.
- Make sure you have enough space to lay out the parts before starting.
- Assemble the item as close to its final position (in the same room) as possible.
- Do not over tighten the nuts to avoid causing damage to the threads.
- Only clean using a damp cloth and mild detergent, do not use bleach or abrasive cleaners.
- From time to time check that there are no loose screws on this unit
- This product should not be discarded with household waste. Take to your local authority waste disposal centre



## IMPORTANT INFORMATION



30 MINUTE  
BUILD

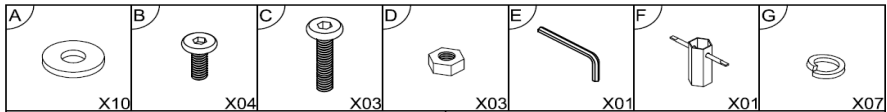


ONE  
PERSON



MAXIMUM  
CAPACITY  
120Kg

PLEASE CHECK CAREFULLY AND MAKE SURE YOU HAVE ALL FITTINGS AND TOOLS LISTED BELOW BEFORE YOU START.

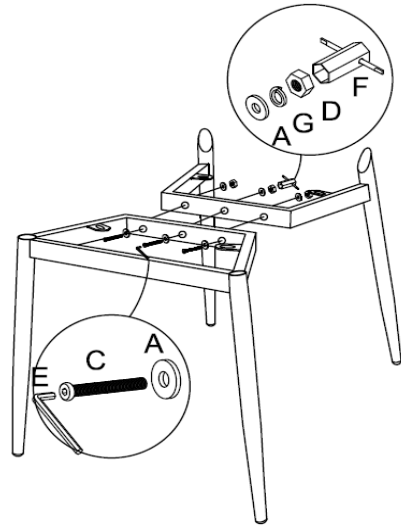


**NOTE:** The quantities above are the correct amount to complete the assembly. In some cases more fittings may be supplied than are required.

## STEP 1

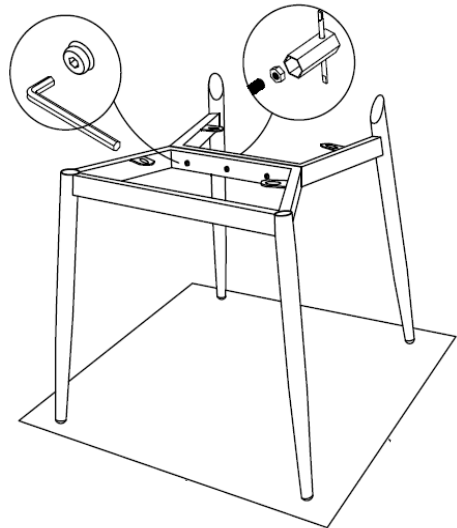
Carefully align the front and back legs together and secure with 3x washers [A] followed by 3x screws [C] and tighten with allen key [E]. Use spanner [F] to tighten washers [A + G] + Bolt [D] to the corresponding side.

NOTE: Be careful not to fully tighten fixings at this stage



## STEP 2

Place the leg frame on a flat surface. Ensure the legs are level and tighten the fixings each side with allen key [E] and spanner [F].

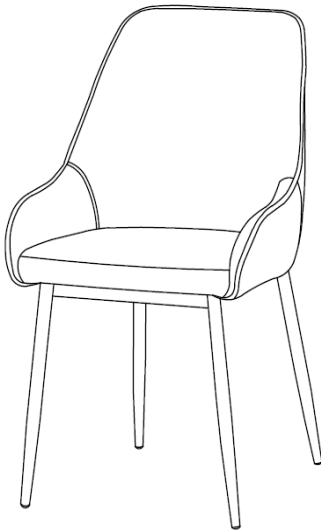
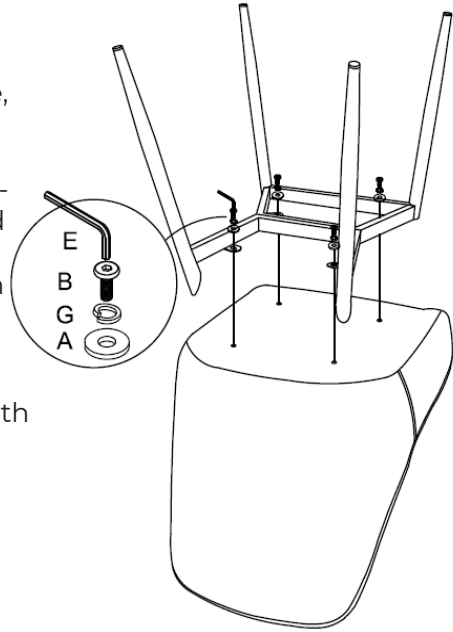


### STEP 3

Place the seat pad upside down on a clean, flat, soft surface to avoid any bumps or scratches. I.e, Kitchen top.

Align the leg frame with the pre-drilled holes on the seat pad and secure with 4x washers [A + G] followed by 4x screw [B]. Tighten with allen key [E]

NOTE: The leg frame is shaped. The pointed legs should align with the back rest



### STEP 4

Carefully flip your chair so it stands on its feet. Check stability. Your chair is now ready to use!



furniturebox



# WE **L**OVE INTERIORS! SHARE YOURS WITH US ON SOCIAL MEDIA

1. follow us on Instagram
2. post your interior
3. tag us to be featured



@furnitureboxUK



@furniturebox\_uk



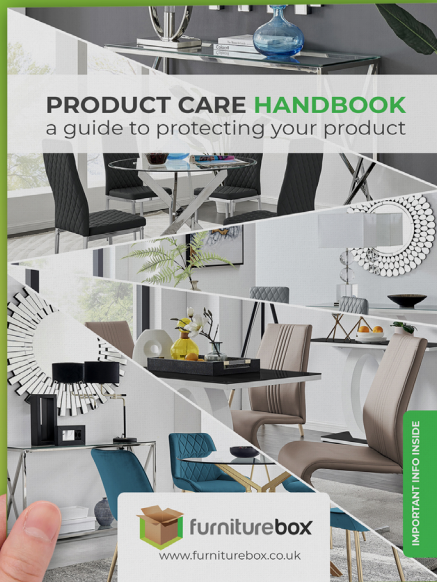
@furnitureboxuk



Follow us on Instagram  
@furniturebox\_uk

# LOOKING GOOD!

Now you've assembled your product find out how to care for your item and keep it looking brand new.



Look for your care guide in the box or visit:  
[www.furniturebox.co.uk/club/care-guide](http://www.furniturebox.co.uk/club/care-guide)



## OUR 2 YEAR GUARANTEE

our products come with a 1 year guarantee to give you peace of mind shopping at Furniturebox



## WHAT THE GUARANTEE COVERS



**PRE-INSERTED FIXINGS**  
e.g. loose metal threads



**FAULTY JOINTS**  
e.g. legs bending



**EXTERNAL FIXING FAULTS**  
e.g. metal discs removing from table top



**STRUCTURAL INTEGRITY**  
e.g. the frame of the product



## ACTIVATE YOUR GUARANTEE ONLINE

scan this QR code with your phone to read the full guarantee online and register your product. It only takes a moment to fill out. Or visit: [furniturebox.co.uk/our-guarantee](https://furniturebox.co.uk/our-guarantee)

Furniturebox UK, St Modwen's Park,  
Chippenham, SN15 5BD  
Tel: 01747 863333 Email: [sales@furniturebox.co.uk](mailto:sales@furniturebox.co.uk)