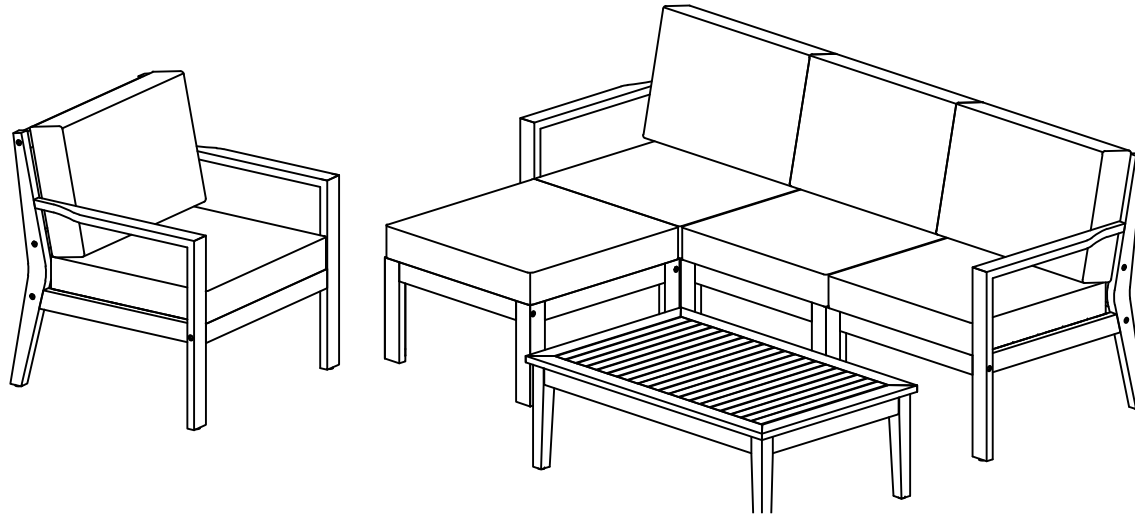
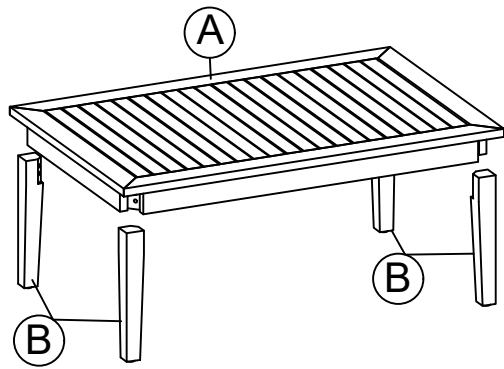


PATIO SECTIONAL SOFA SET

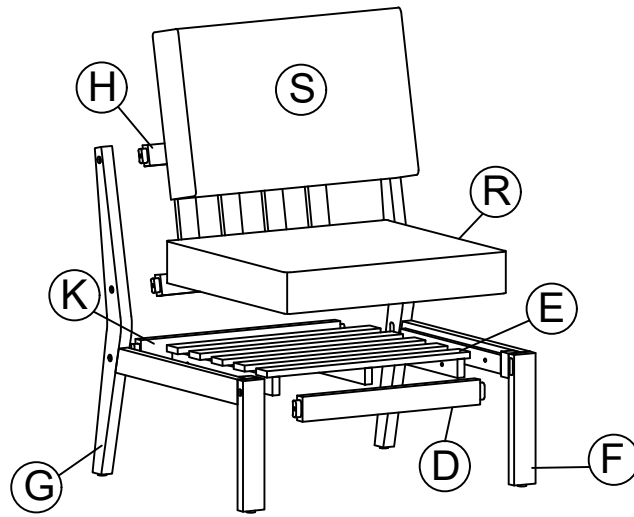


Please read all instructions carefully:

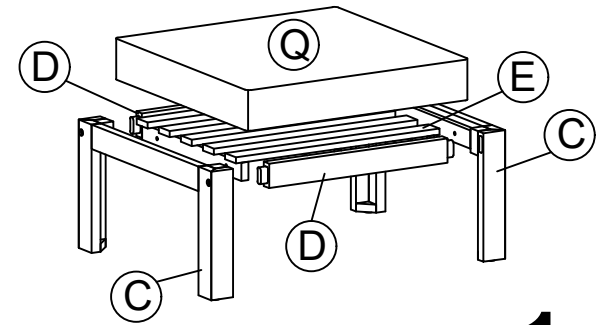
1. Have 2 adults on hand for assembly.
2. 50% Tighten before fixing all screws, Allen wrench is recommended instead of an electric drill.
3. Place the item on a flat ground to adjust and make sure it remains stable.
4. Tighten up all screws with tools gradually.
5. If the screws are not aligned with holes during assembly, please loosen all the other screws to 50% and continue the assembly process.
6. If the item is not stable, please loosen all the screws, adjust it on a flat ground and tighten up all screws again.
7. Note : If one or some screws are fully tightened during assembly, chances are the others will not be aligned with holes. In addition, all the holes are designed to be relatively larger to provide more space for the adjustment of the screws.



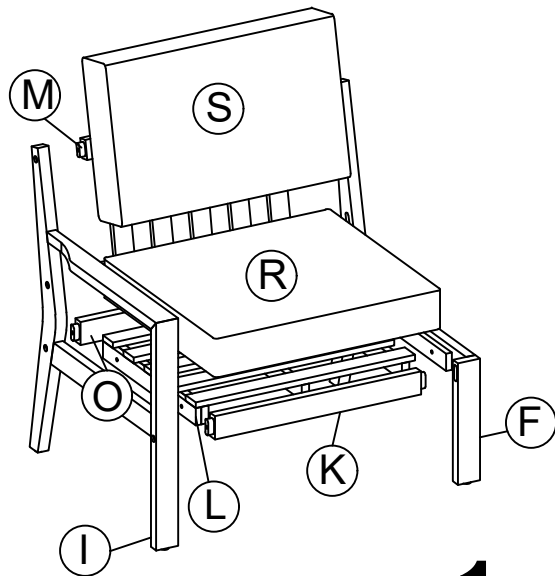
x1



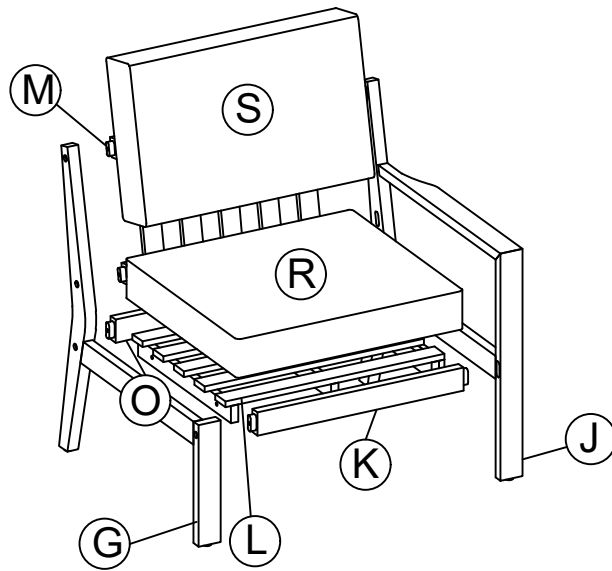
x1



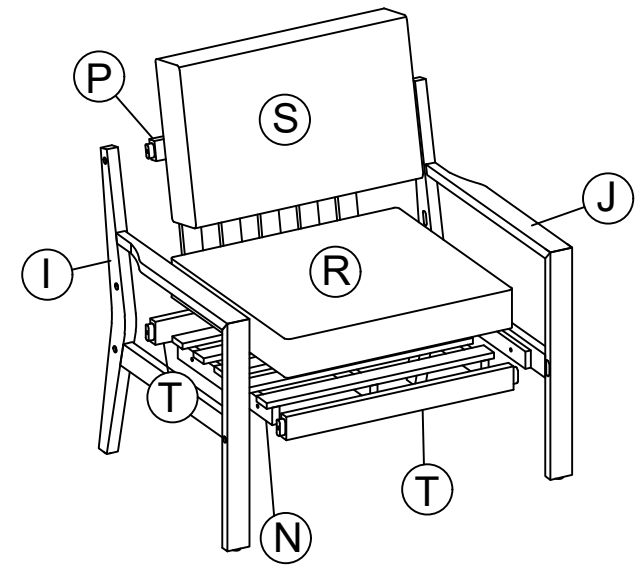
x1



x1

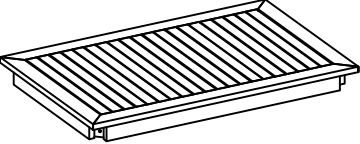
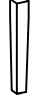
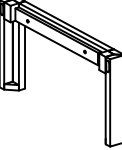

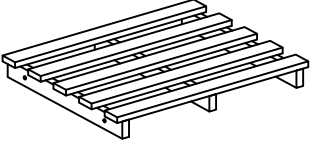
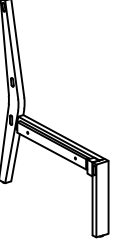
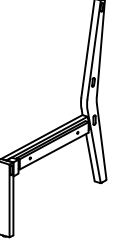
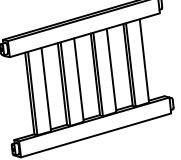
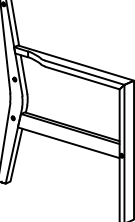
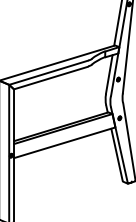

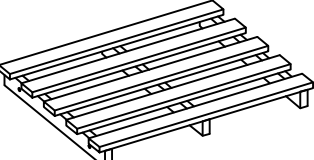
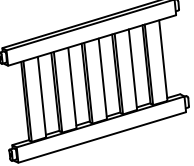
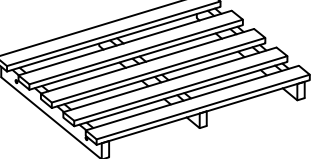

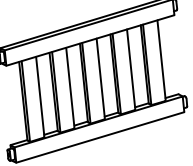
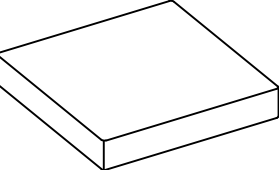
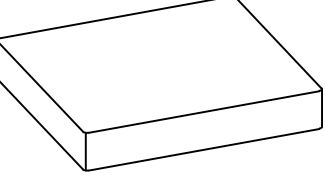
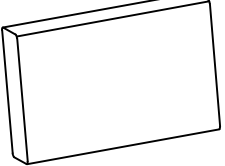



x1



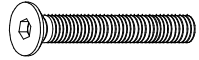
x1

Part List :

<p>A</p>  <p>Table Top (1 pc)</p>	<p>B</p>  <p>Leg Table (4 pcs)</p>	<p>C</p>  <p>Leg Stool (2 pcs)</p>	<p>D</p>  <p>Support Bar 1 (3 pcs)</p>
<p>E</p>  <p>Seat Frame (2 pcs)</p>	<p>F</p>  <p>Left Leg Chair (2 pcs)</p>	<p>G</p>  <p>Right Leg Chair (2 pcs)</p>	<p>H</p>  <p>Back Chair (1 pc)</p>
<p>I</p>  <p>Right Armless (2 pcs)</p>	<p>J</p>  <p>Left Armless (2 pcs)</p>	<p>K</p>  <p>Support Bar 2 (3 pcs)</p>	<p>L</p>  <p>Seat Corner (2 pcs)</p>
<p>M</p>  <p>Back Corner (2 pcs)</p>	<p>N</p>  <p>Seat Single Chair (1 pc)</p>	<p>O</p>  <p>Support Bar 3 (2 pcs)</p>	<p>P</p>  <p>Back Single Chair (1 pc)</p>
<p>Q</p>  <p>Seat Stool Cushion (1 pc)</p>	<p>R</p>  <p>Seat Chair Cushion (4 pcs)</p>	<p>S</p>  <p>Back Chair Cushion (4 pcs)</p>	<p>T</p>  <p>Support Bar 4 (2 pcs)</p>

Hardware List:

1



Extra (1 pc)
Allen Bolt M6*60mm (8 pcs)

2



Extra (2 pcs)
Screw Bolt M8*90 mm (20 pcs)

3



Extra (2 pcs)
Screw Bolt M8*60 mm (16 pcs)

4



Extra (2 pcs)
Screw Bolt M6*35mm (20 pcs)

5



Extra (1 pc)
Flat Washer M6 (8 pcs)

6

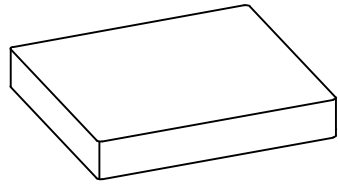


Allen Key (2 pcs)

CARTON CONTENT:

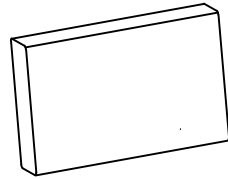
WF320175

R



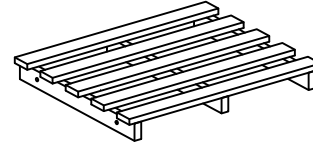
Seat Chair Cushion (3 pcs)

S



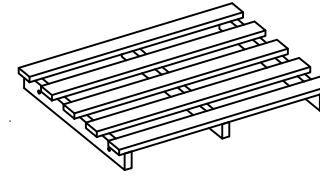
Back Chair Cushion (2 pcs)

E

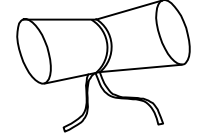


Seat Frame (2 pcs)

L



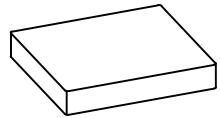
Seat Corner (2 pcs)



Hardware

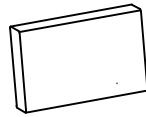
WF320176

R



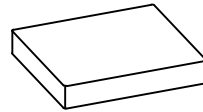
Seat Chair Cushion (1 pc)

S



Back Chair Cushion (2 pcs)

Q



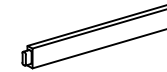
Seat Stool Cushion (1 pc)

D



Support Bar 1 (3 pcs)

K



Support Bar 2 (3 pcs)

O



Support Bar 3 (2 pcs)

H



Back Chair (1 pc)

M



Back Corner (2 pcs)

P



Back Single Chair (1 pc)

A

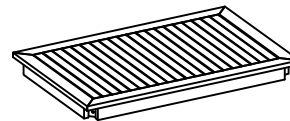
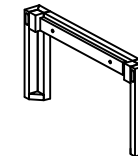


Table Top (1 pc)

C



Leg Stool (2 pcs)

T



Support Bar 4 (2 pcs)

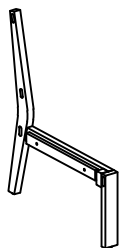
B



Leg Table (4 pcs)

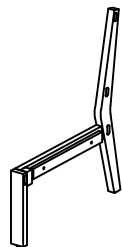
WF320177

F



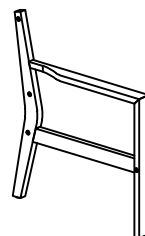
Left Leg Chair (2 pcs)

G



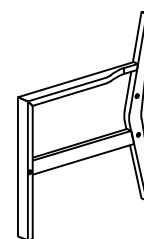
Right Leg Chair (2 pcs)

I



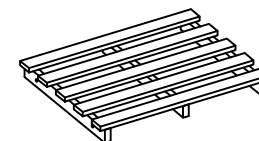
Right Armless (2 pcs)

J



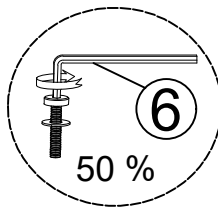
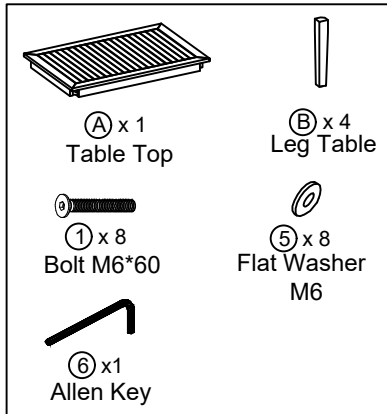
Left Armless (2 pcs)

N

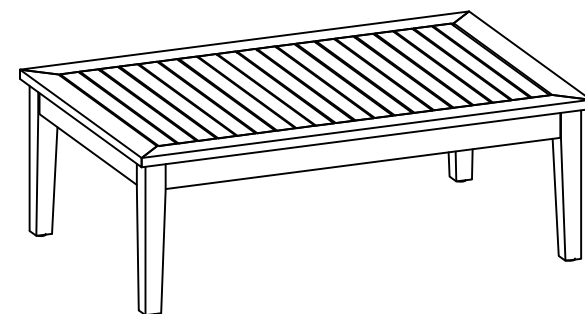
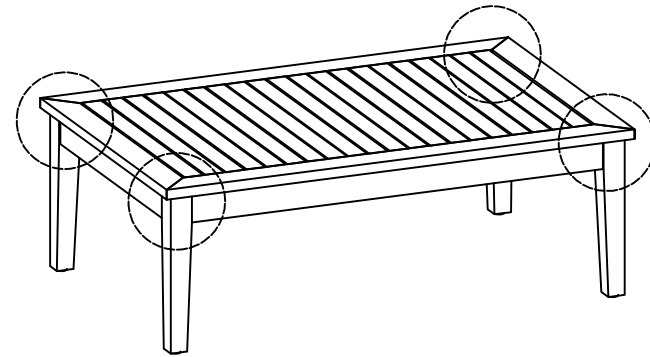
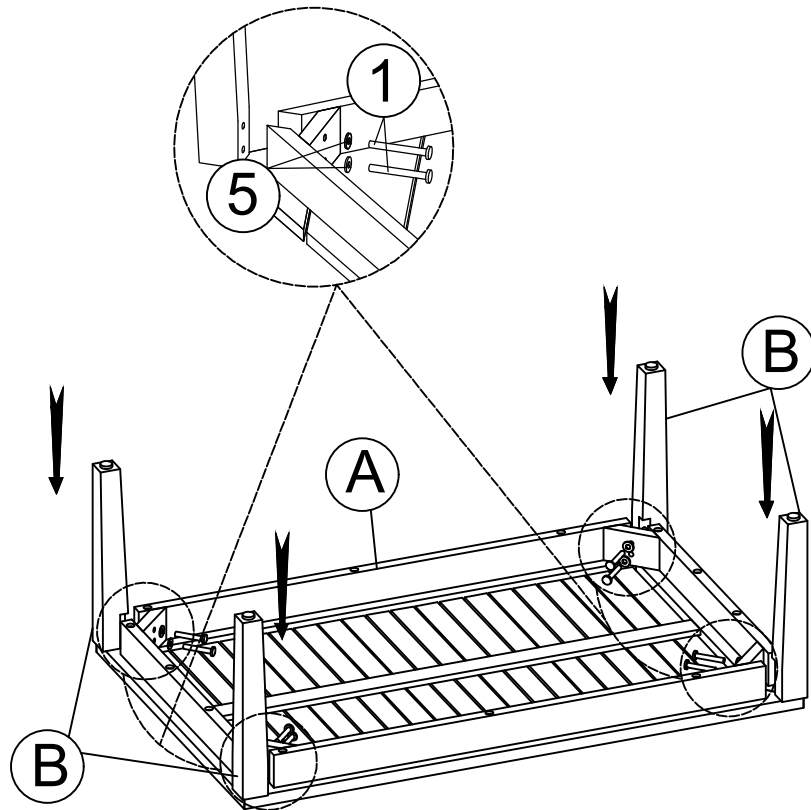
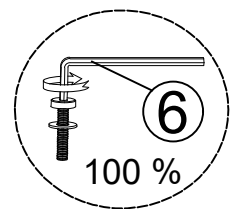
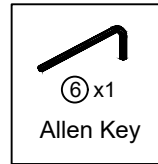


Seat Single Chair (1 pc)

STEP 1



STEP 2

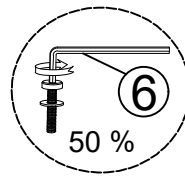
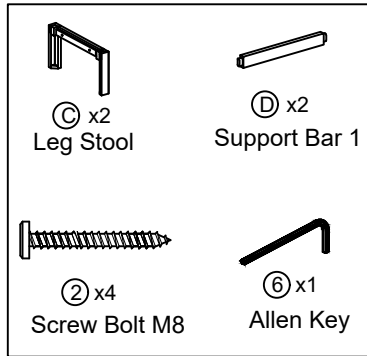


Finish Table.

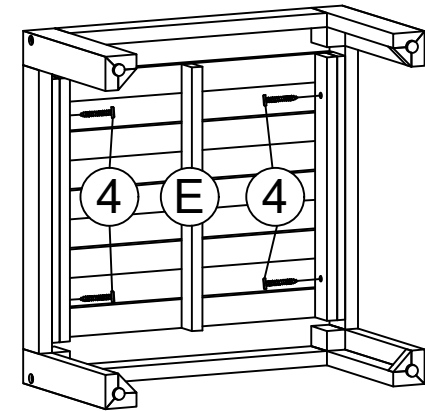
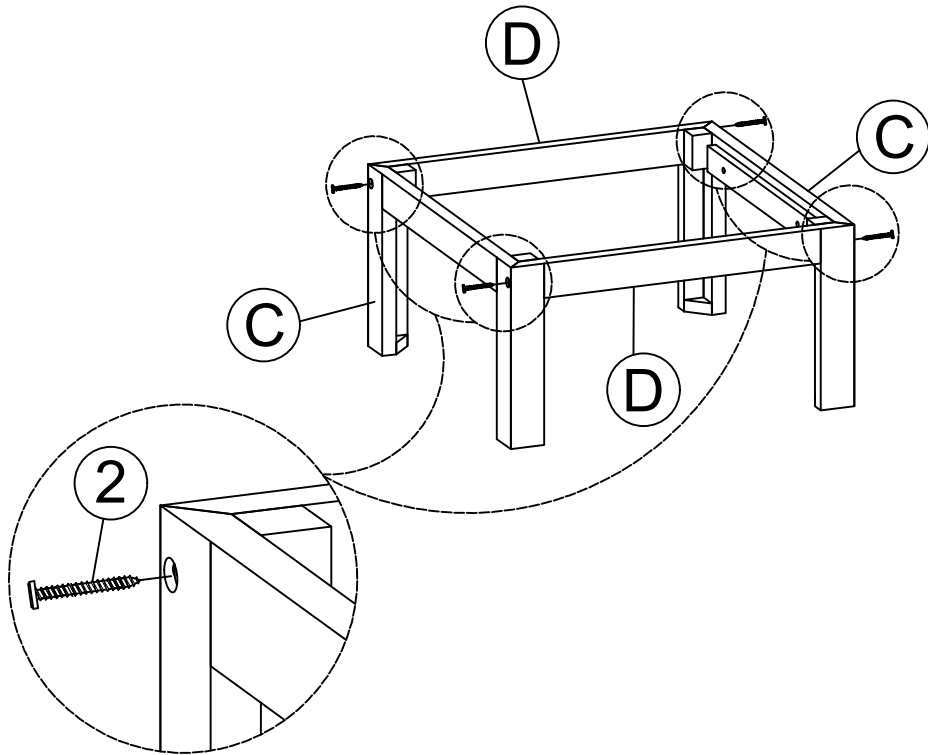
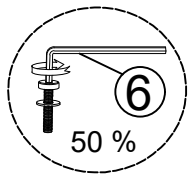
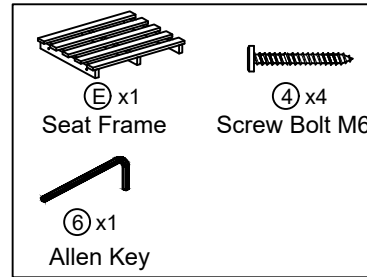
Connect Table Top (A) & Leg Table (B) by tighten Allen Bolt (1) ,Flat Washer (5) with Allen Key (6).

Put the Table upright, firmly tighten Bolts with Allen Key (6) to Finish Table.

STEP 3



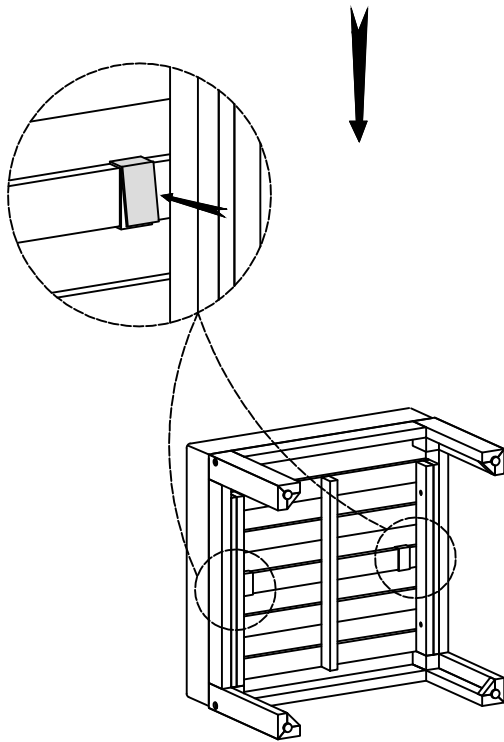
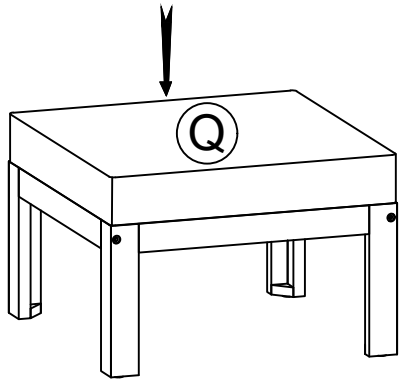
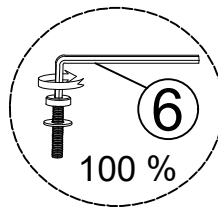
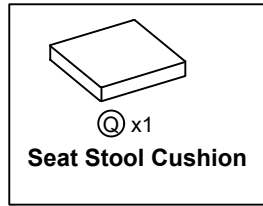
STEP 4



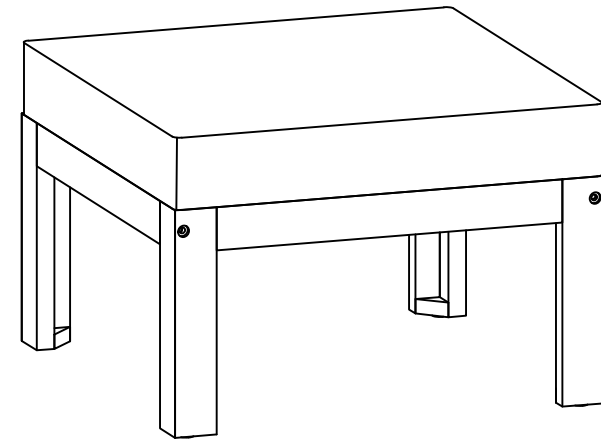
Connect Leg Stool (C) & Support Bar 1 (D) by tighten Screw Bolt (2) with Allen Key (6).

Connect the part from Step 3 & Seat Frame (E) by tighten Screw Bolt (4) with Allen Key (6).

STEP 5



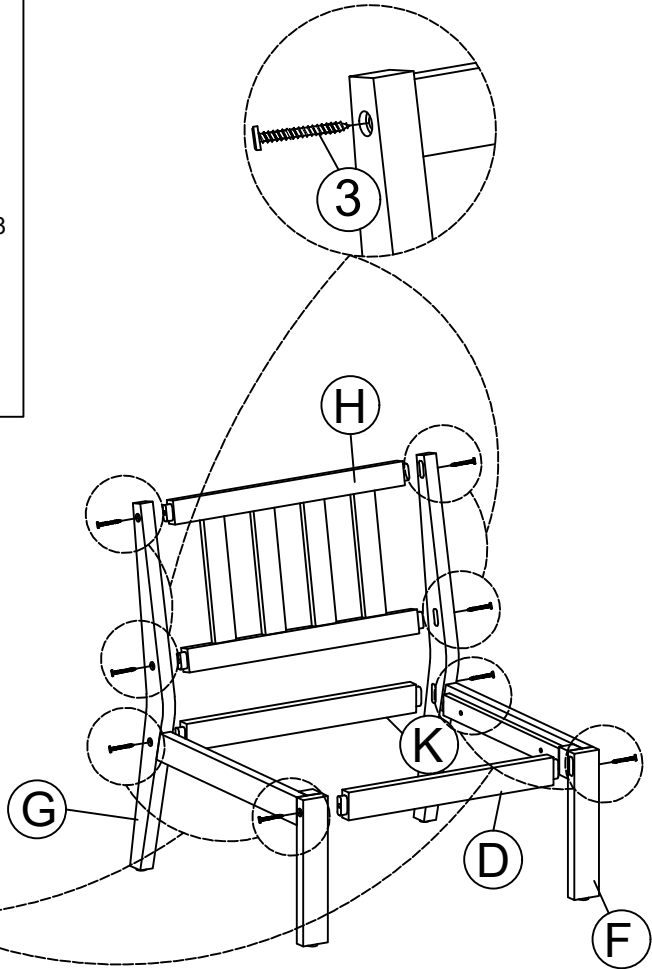
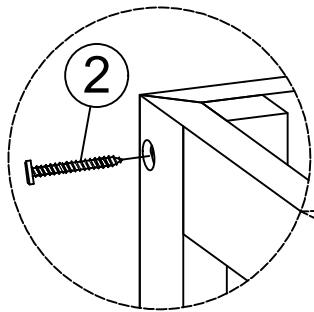
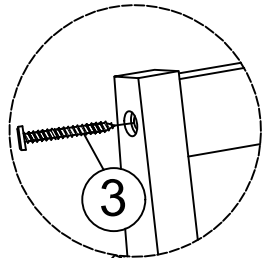
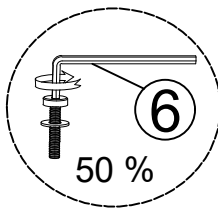
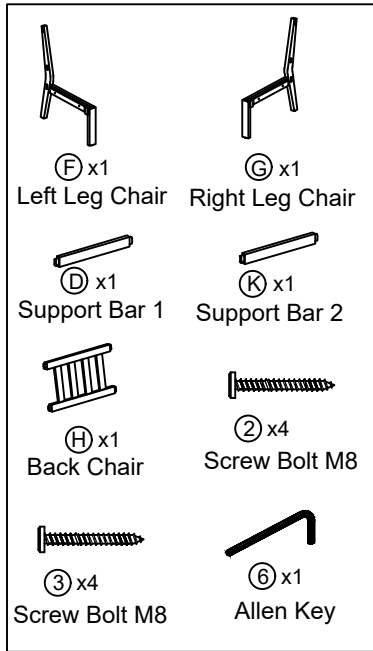
STEP 6



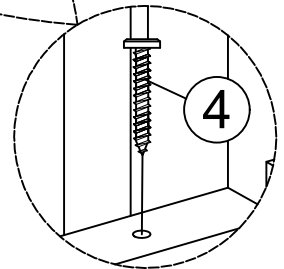
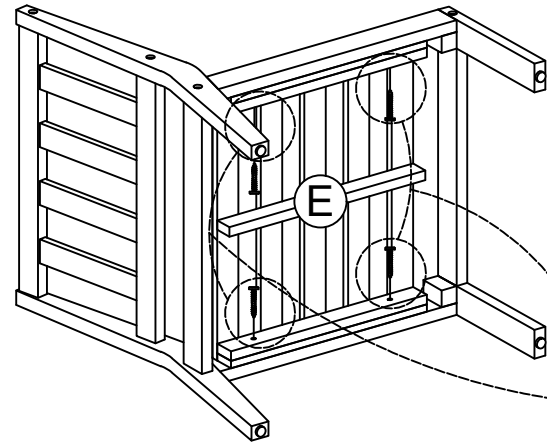
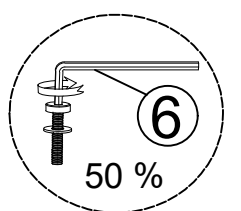
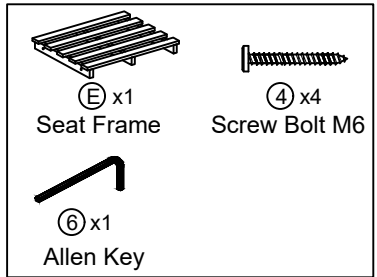
Put on Seat Stool Cushion (Q) and Stick String to Seat Frame (E) to Finish.

Finish Stool.

STEP 7



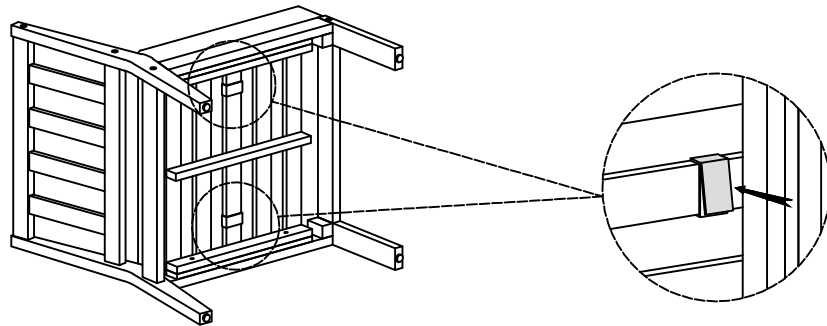
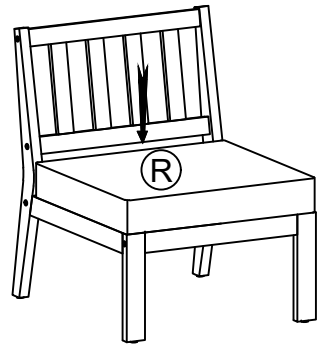
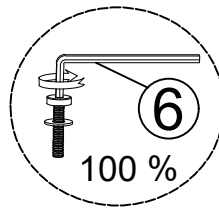
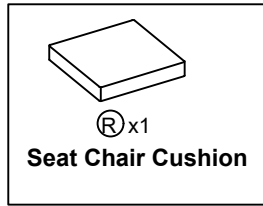
STEP 8



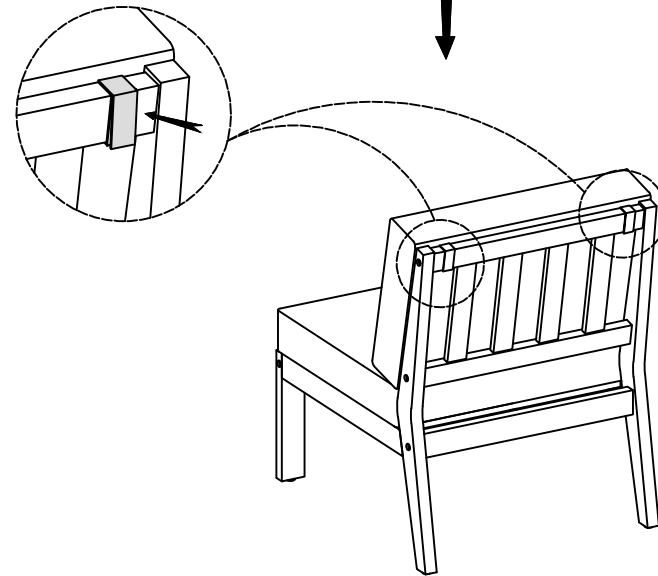
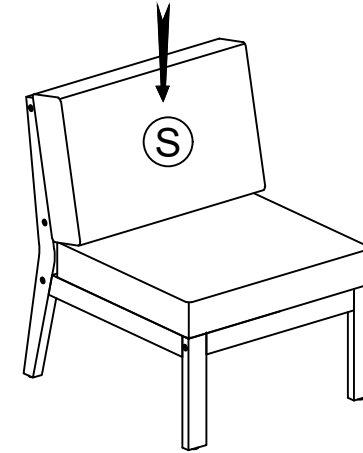
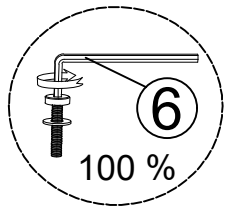
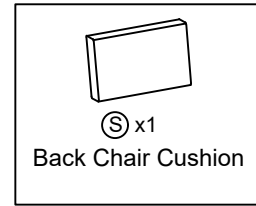
Connect Back Chair (H), Support Bar (D), (K) with Right Leg Chair, Left Leg Chair (G), (F) by tighten Screw Bolt (2), (3) with Allen Key (6).

Connect the part from Step 7 & Seat Frame (E) by tighten Screw Bolt (4) with Allen Key (6).

STEP 9



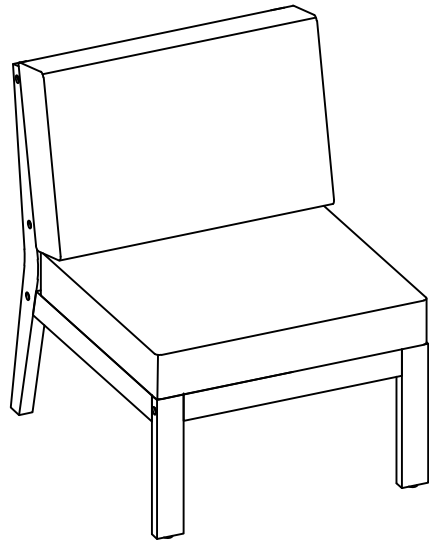
STEP 10



Put on Seat Chair Cushion (R) and Stick String to Seat Frame (E)

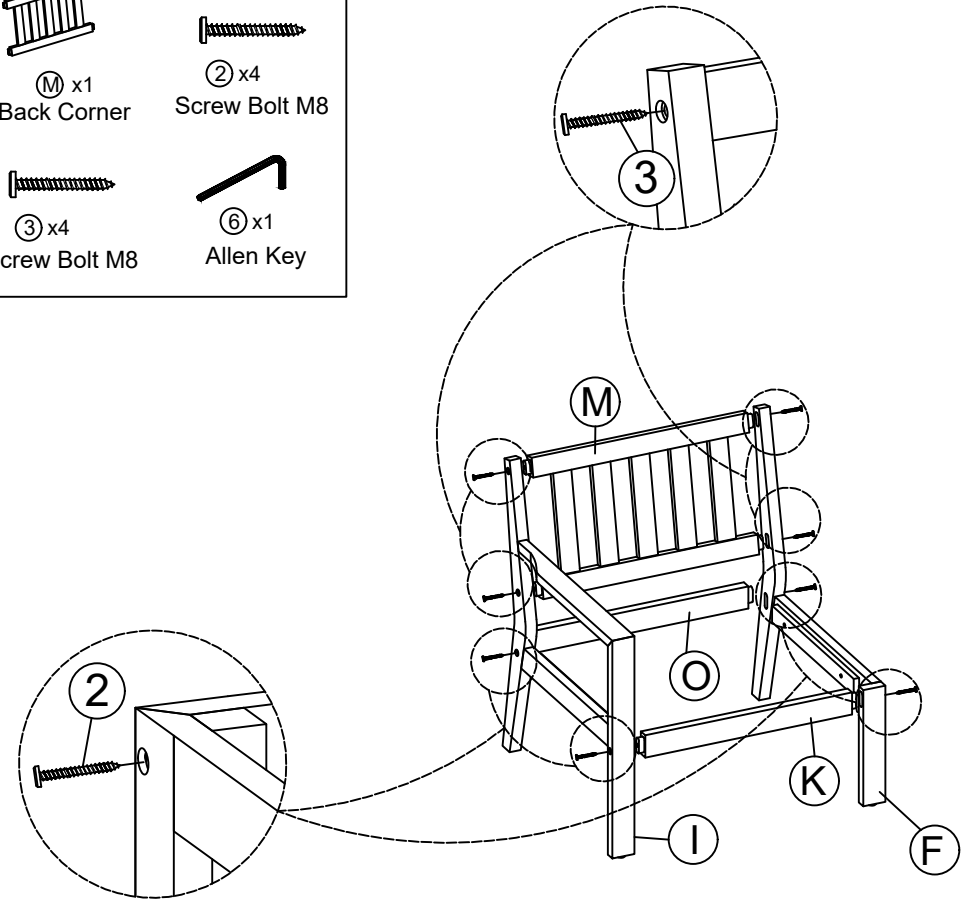
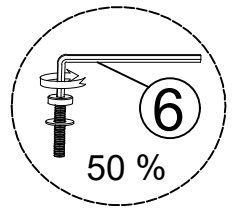
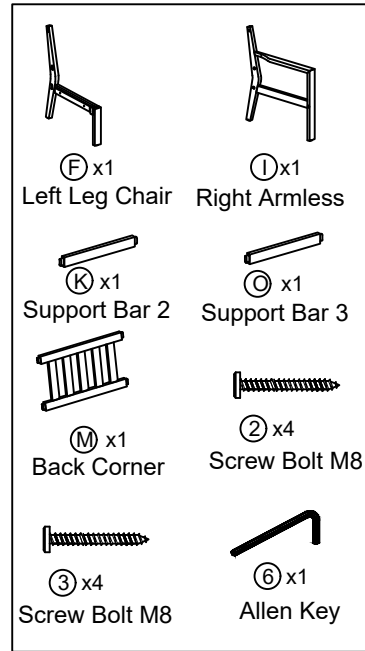
Put Back Chair Cushion (S) and Stick String to Back Chair (H)

STEP 11



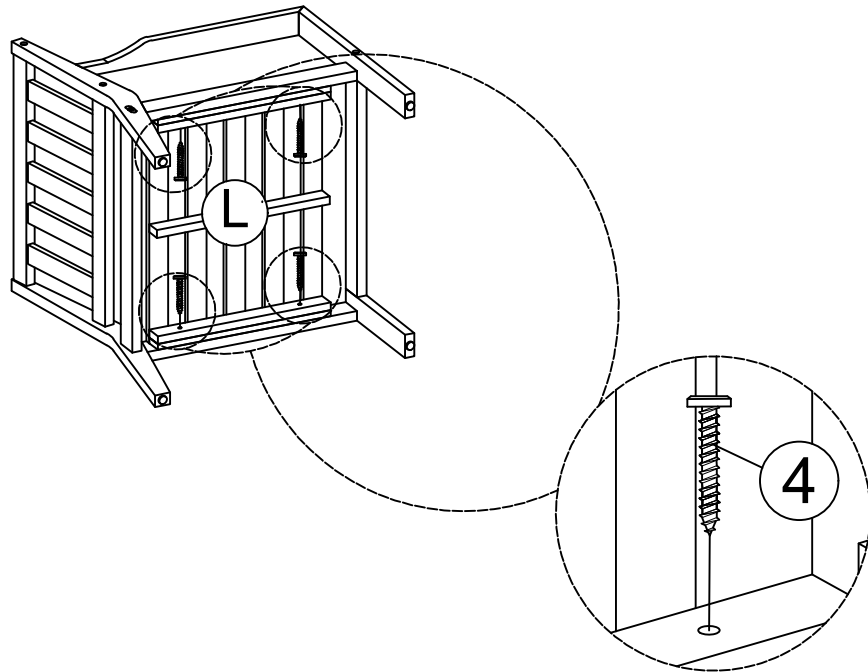
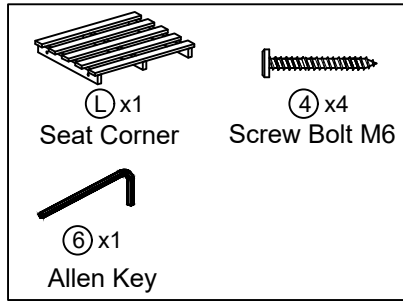
Finish Chair.

STEP 12

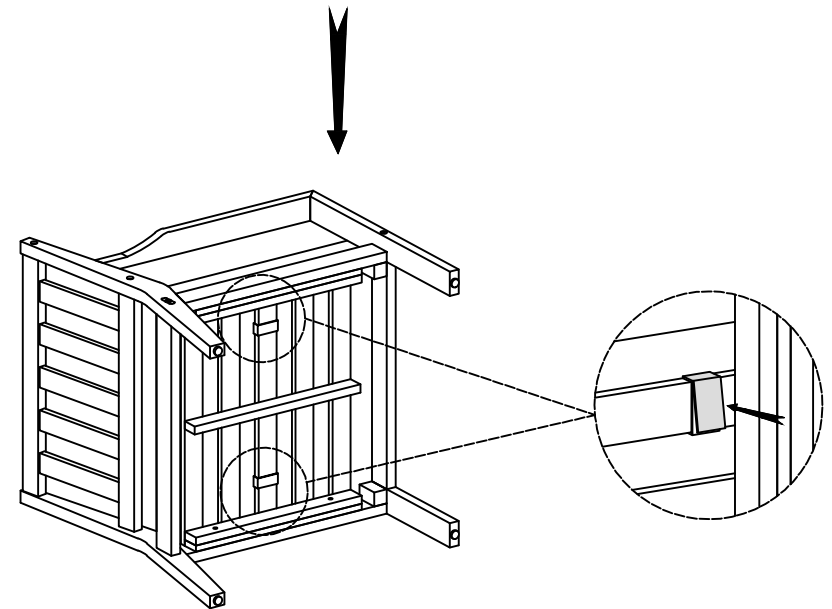
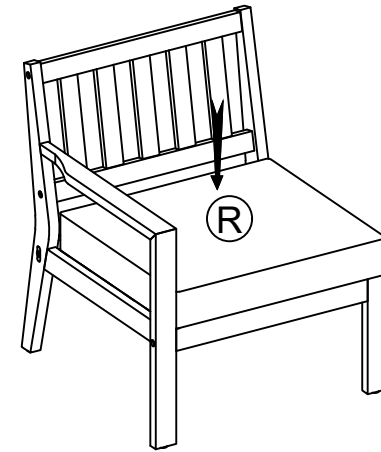
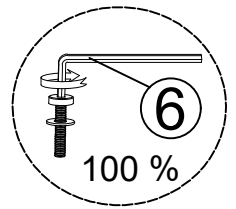
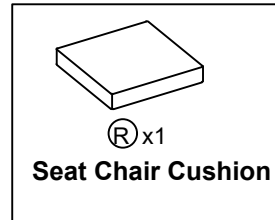


Connect Back Corner (M), Support Bar (K), (O) with Right Armless, Left Leg Chair (I), (F) by tighten Screw Bolt (2), (3) with Allen Key (6).

STEP 13



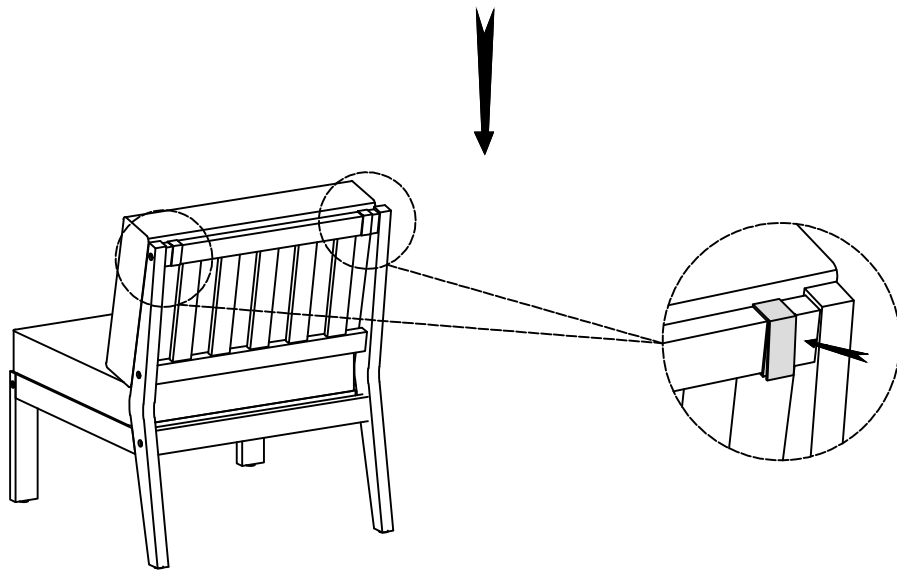
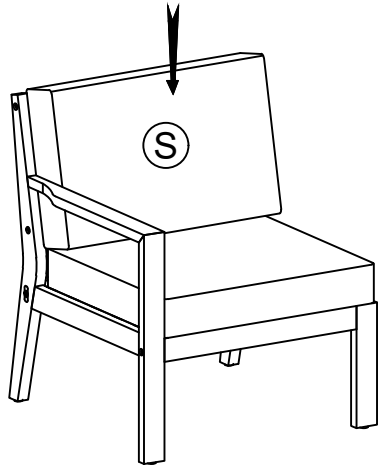
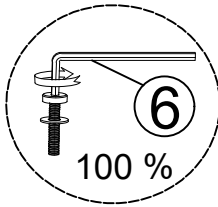
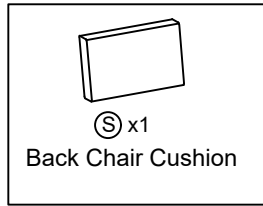
STEP 14



Connect the part from Step 12 & Seat Corner Frame (L) by tighten Screw Bolt (4) with Allen Key (6).

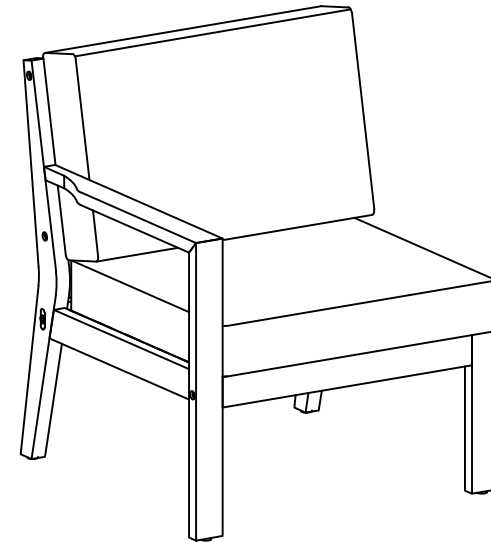
Put on Seat Chair Cushion (R) and Stick String to Seat Corner Frame (L)

STEP 15



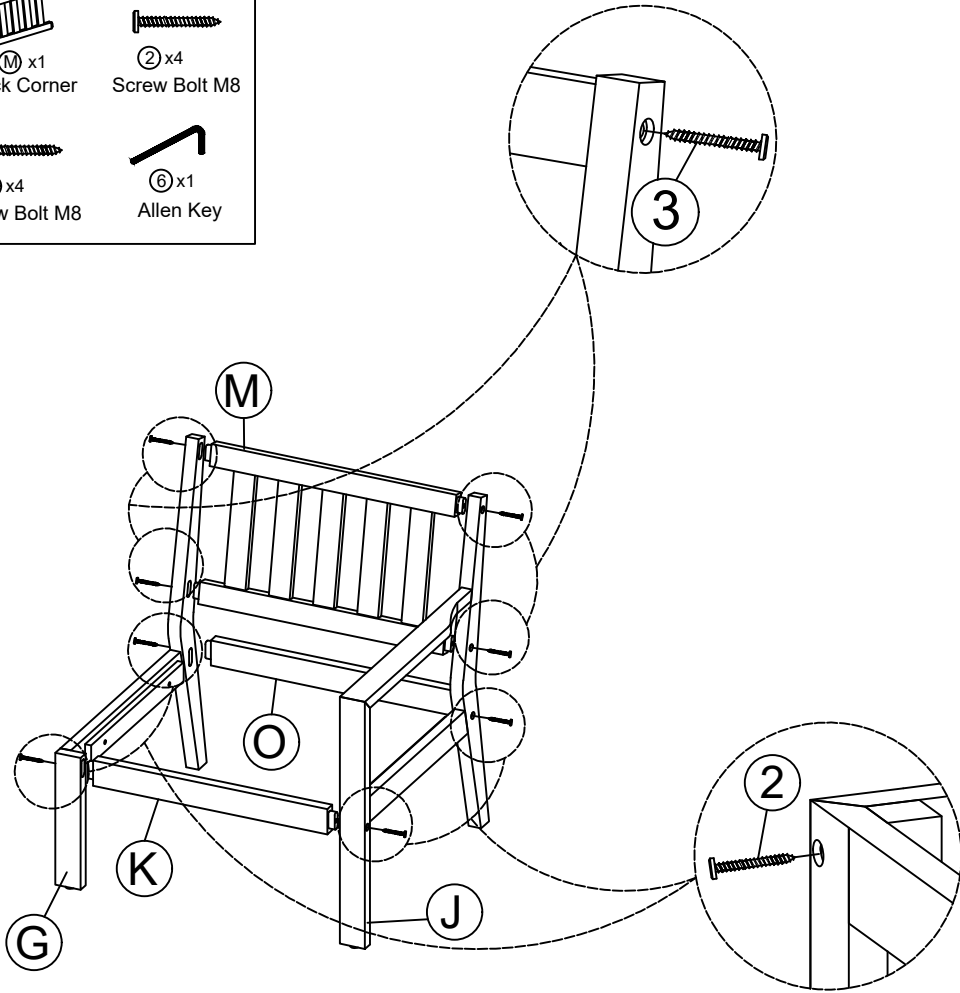
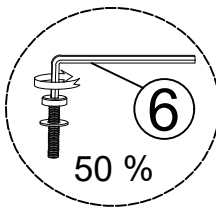
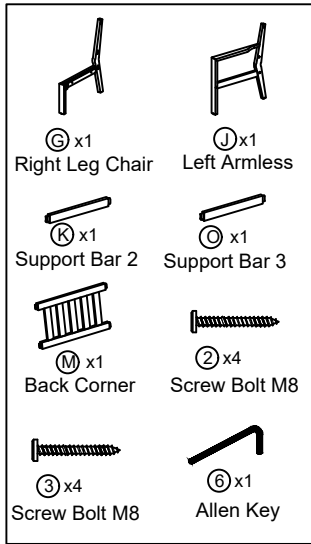
Put Back Chair Cushion (S) and Stick String to Back Corner (M)

STEP 16

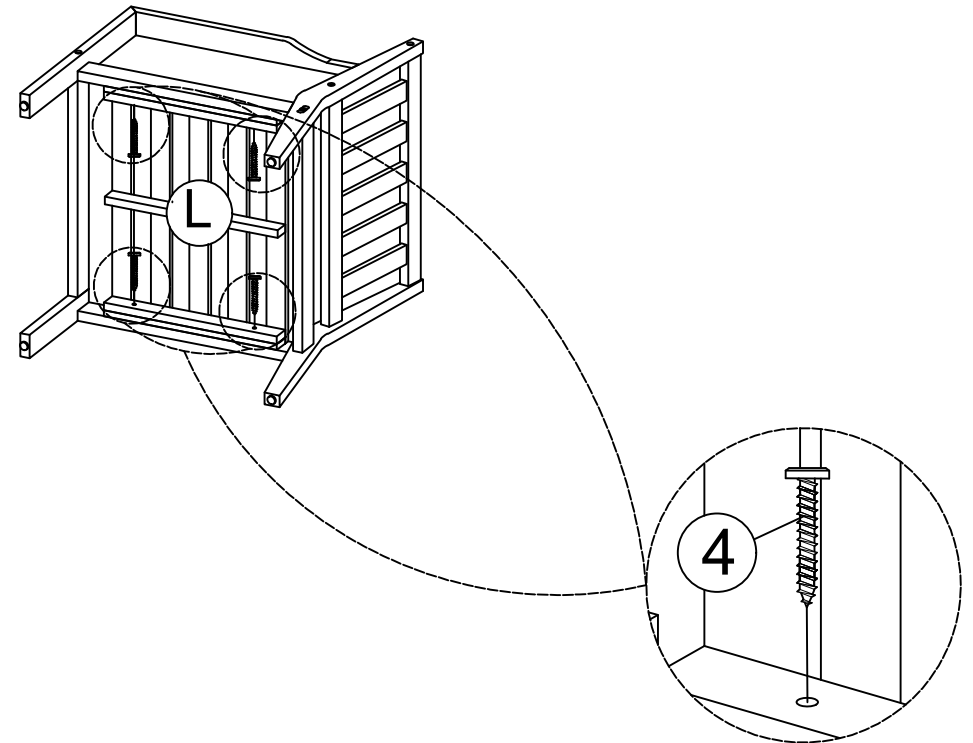
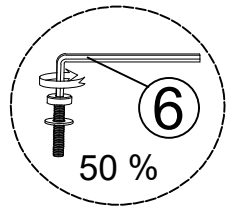
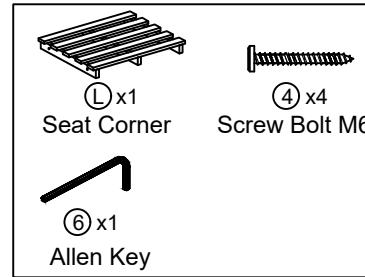


Finish Right Corner.

STEP 17



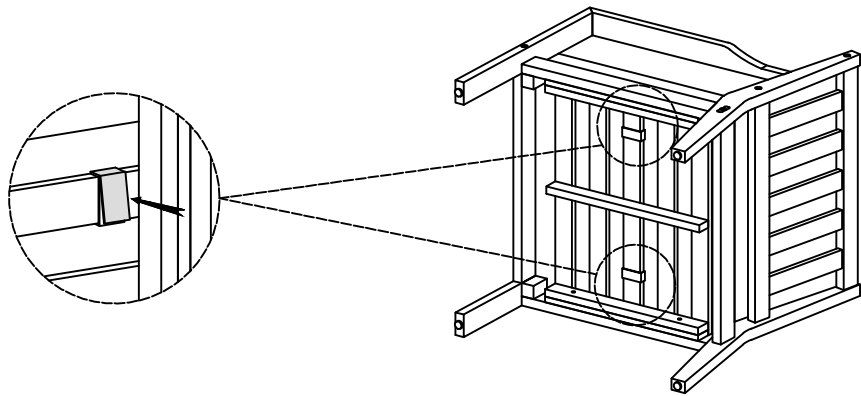
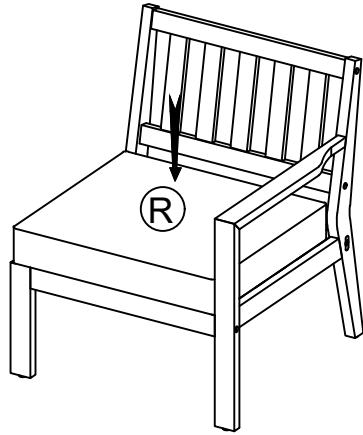
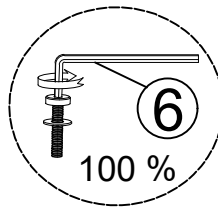
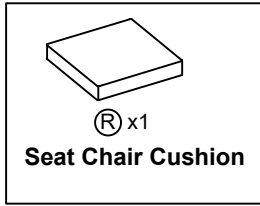
STEP 18



Connect Back Corner (M),Support Bar (K),(O) with Left Armless, Right Leg Chair (J),(G) by tighten Screw Bolt (2),(3) with Allen Key (6).

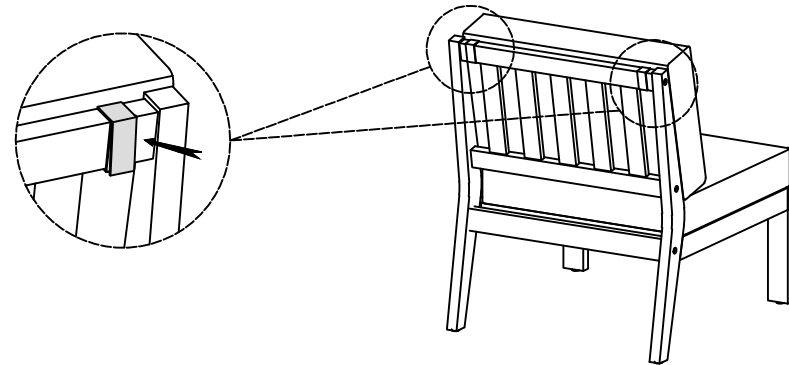
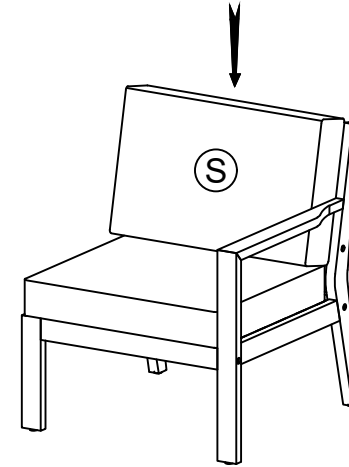
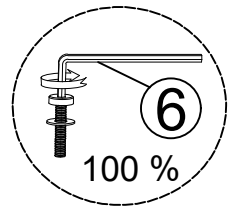
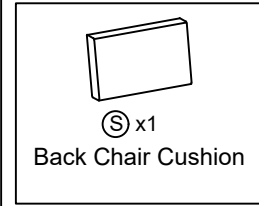
Connect the part from Step 17 & Seat Corner Frame (L) by tighten Screw Bolt (4) with Allen Key (6).

STEP 19



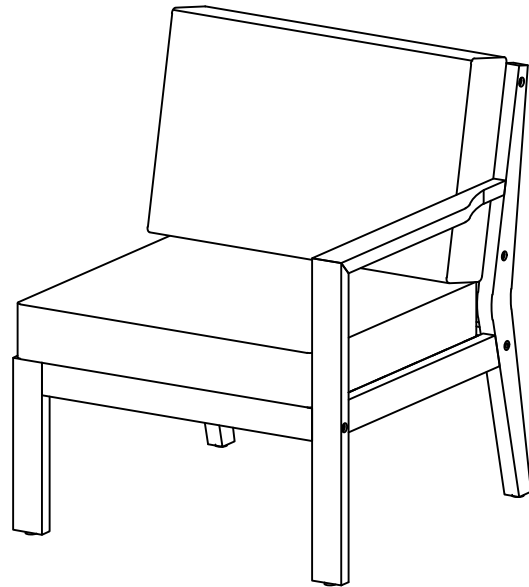
Put on Seat Chair Cushion (R) and Stick String to Seat Corner Frame (L)

STEP 20



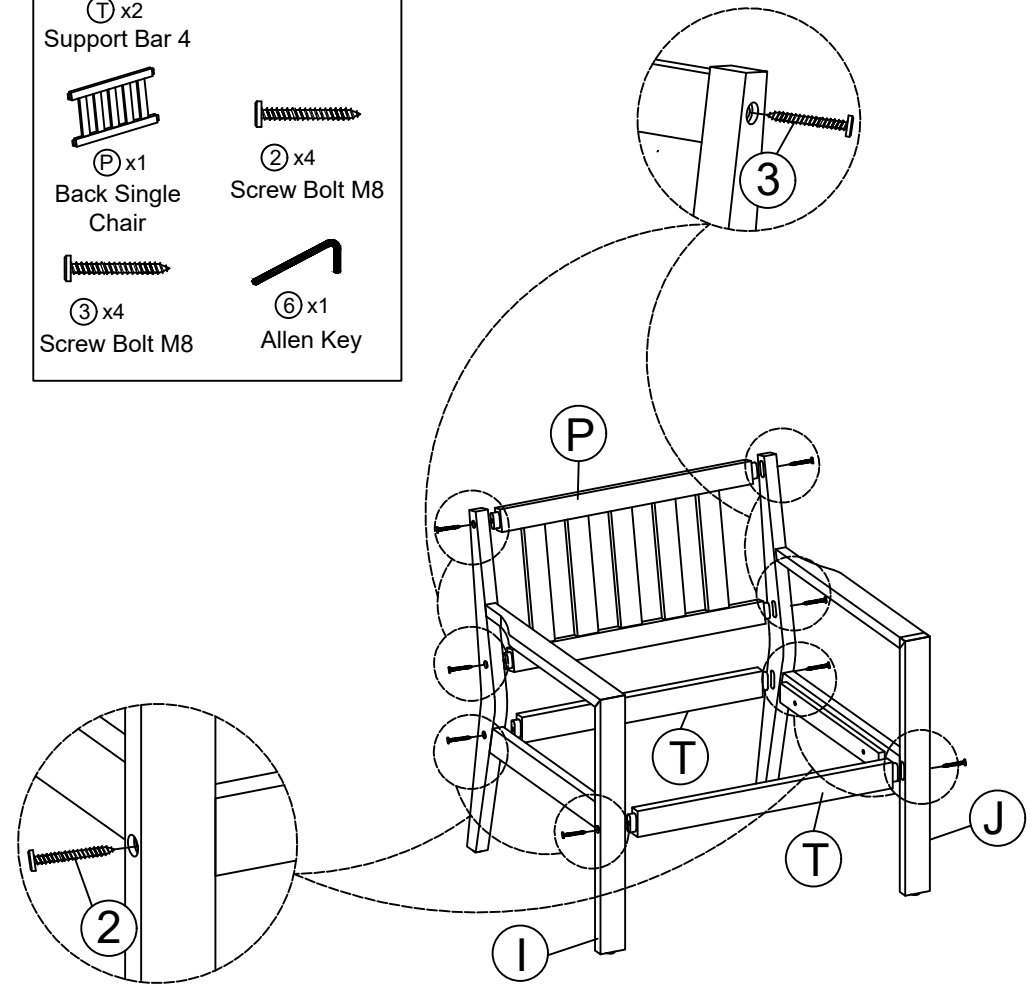
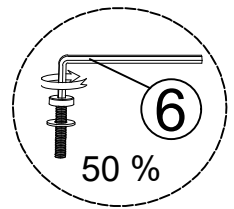
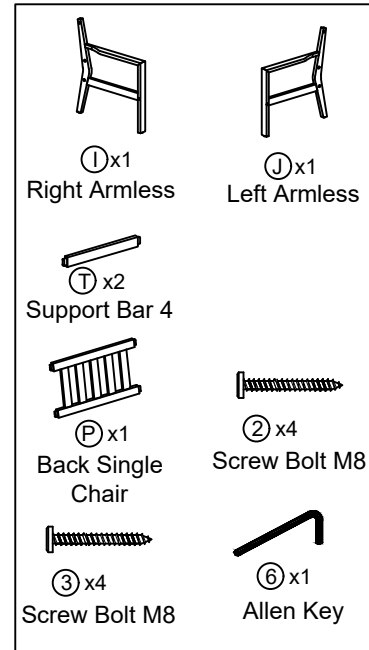
Put Back Chair Cushion (S) and Stick String to Back Corner (M)

STEP 21



Finish Left Corner.

STEP 22

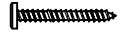


Connect Back Single Chair (P), Support Bar 4 (T) with Left Armless, Right Armless (J), (I) by tighten Screw Bolt (2), (3) with Allen Key (6).

STEP 23



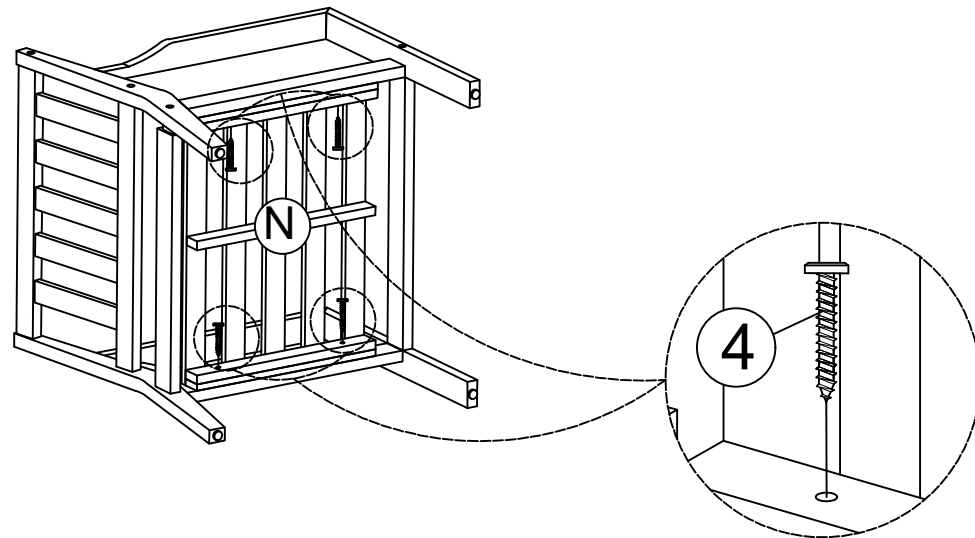
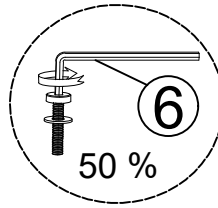
Ⓝ x1
Seat Single Chair



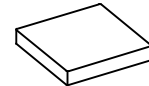
④ x4
Screw Bolt M6



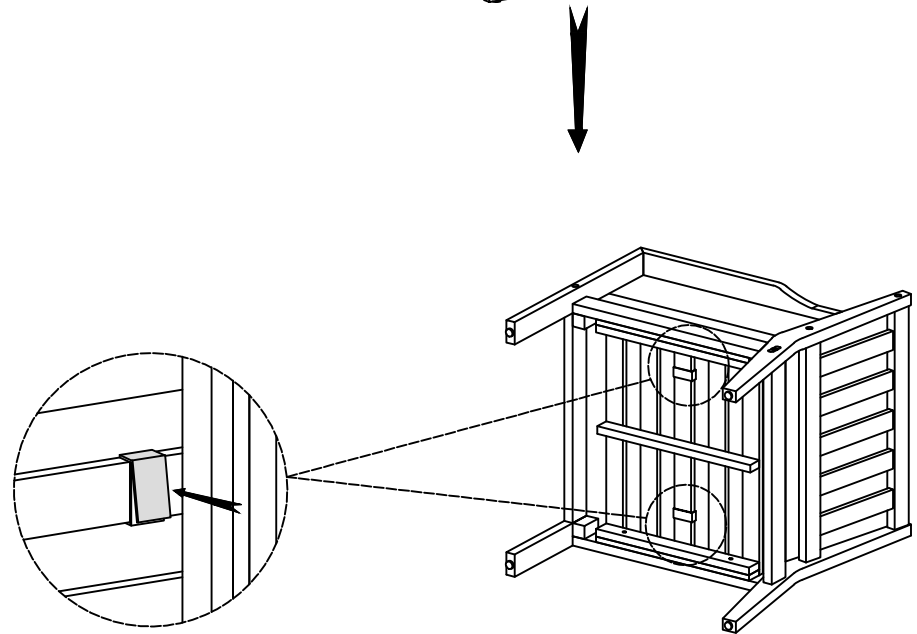
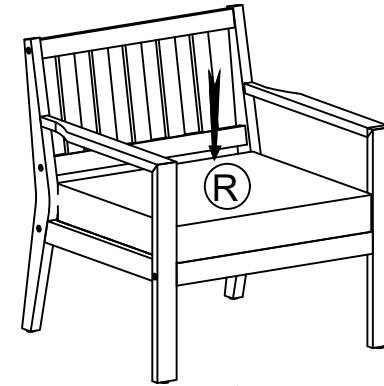
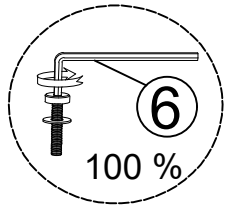
⑥ x1
Allen Key



STEP 24



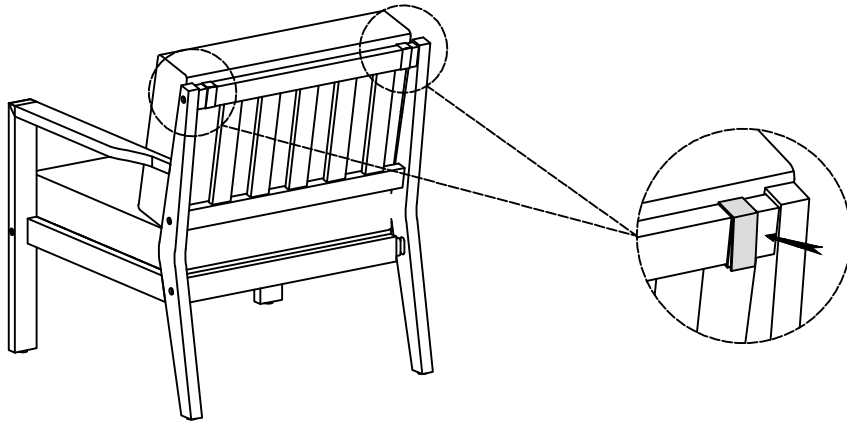
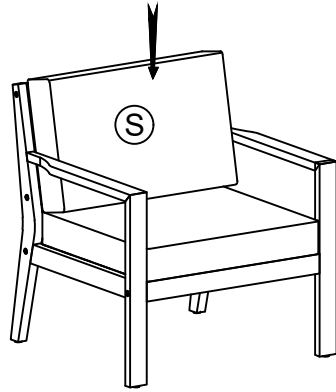
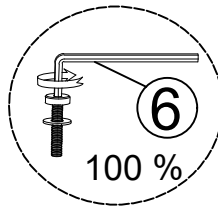
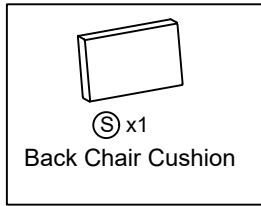
Ⓡ x1
Seat Chair Cushion



Connect the part from Step 22 & Seat Single Chair (N) by tighten Screw Bolt (4) with Allen Key (6).

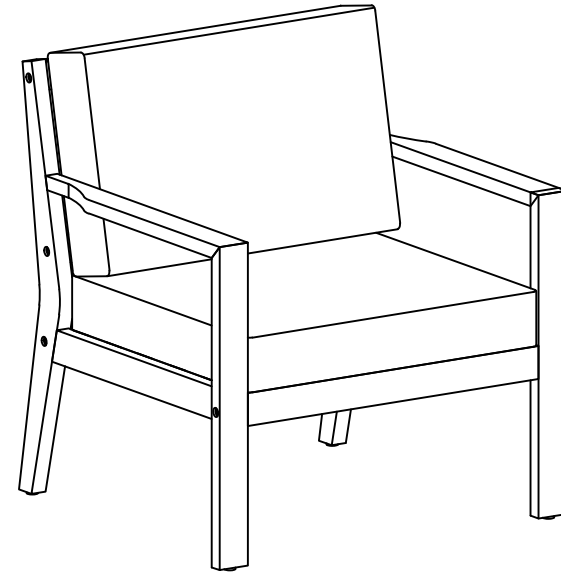
Put on Seat Chair Cushion (R) and Stick String to Seat Single Chair (N)

STEP 25

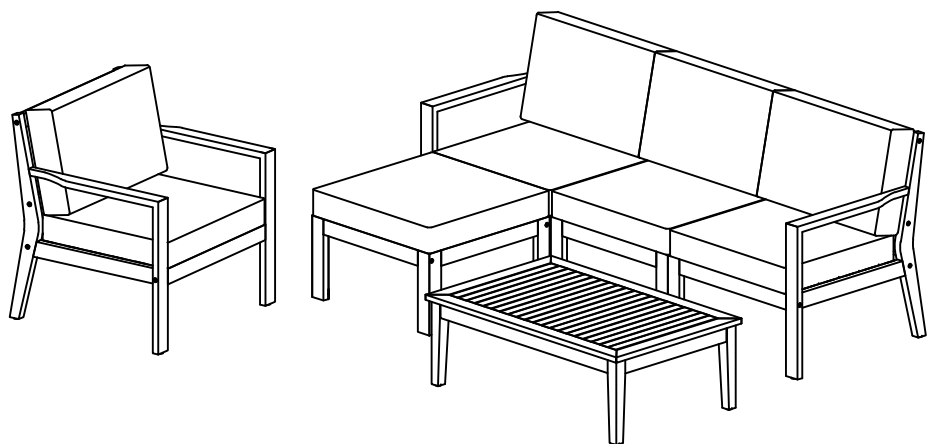


Put Back Chair Cushion (S) and Stick String to Back Single Chair (P)

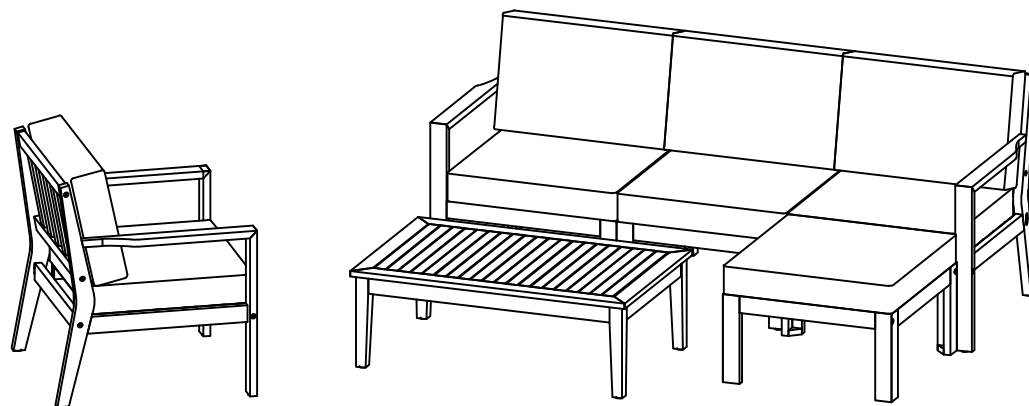
STEP 26



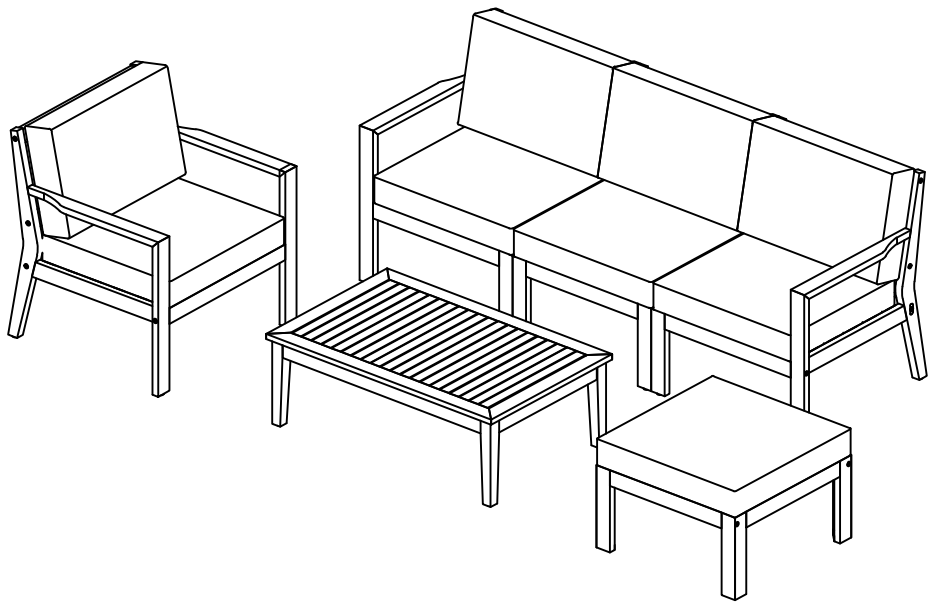
Finish Single Chair.



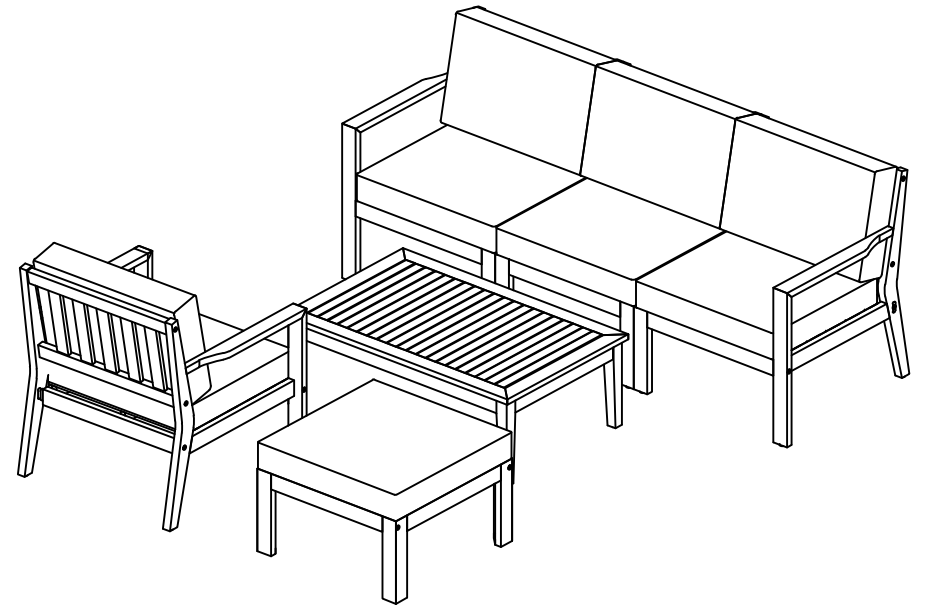
Option 1



Option 2



Option 3



Option 4