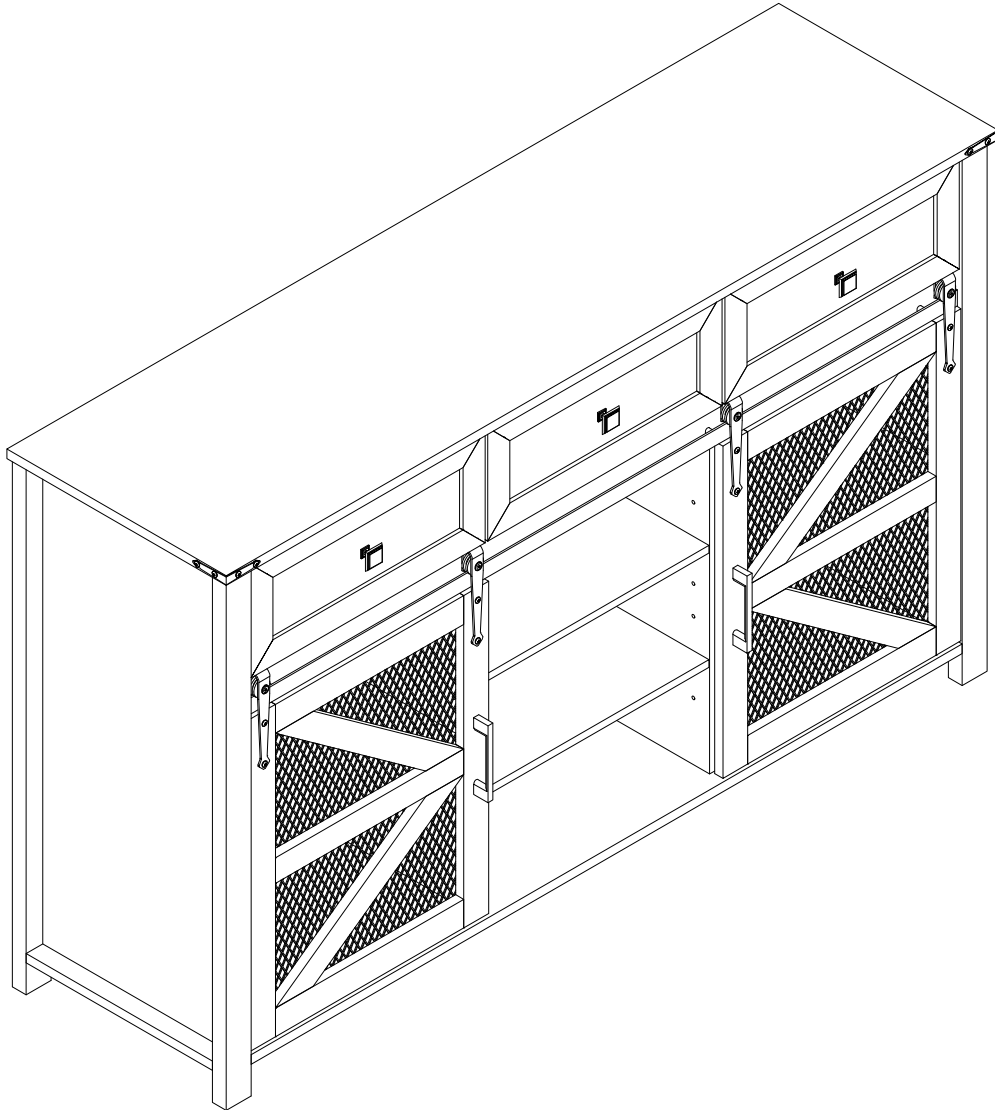


Owner Manual



1. Note: This is not a clothing storage cabinet and it is not recommended to use it as a clothing storage cabinet.
2. All cabinets come with TRO, stainless steel or our "L-Bracket" when shipped.

1. Thank you for choosing *our products*.

2. Return Policy








DO NOT RETURN TO THE STORE! Skip the process of returning your product and contact us directly for a replacement

If you find that parts of your order are missing or damaged, we will gladly ship any needed replacement parts free of charge.

If your product's quality does not meet your expectations or you have found any sort of defect, please contact our customer service department and let us know the details of your order and any issues encountered, we will try our best to provide you with a solution. Feel free to also directly contact our manufacturer concerning needed replacement parts and they will be happy to help provide you with a solution or answer any questions you may have.

Recommendations Before Beginning Assembly

-  • Read instructions, cover to cover
-  • Have 2-4 adults on hand for assembly depending on product size
-  • Do not assemble directly on flooring or carpet
-  • Assemble on a clean non-marring surface (example: packing foam)
-  • Save all packaging until finished











3. Assembly Notice:

- If you encounter any problems during assembly and find that you cannot continue, rest assured we will help you solve the situation as soon as possible. Simply keep all of the parts of the product stored in a safe place and contact us immediately so we may assist you further.
- Once you have opened your package, remove all inner hardware packages and take the parts out. One by one, Place the parts out neatly in front of you, then refer to the instructions to ensure no parts are missing. If any pieces are found missing, please carefully look in the box first, as the hardware packaging might have torn making the

hardware spill in the box.

- Some key parts of your product may be stored and hidden inside of other parts. Please open any zippered or hook & loop storage compartments to remove all parts. (example: cushions and legs being stored in the underside of a sofa)
- **IMPORTANT:** When setting up your product, **DO NOT INSTALL THE SCREWS ALL THE WAY IN THE BEGINNING.** Place each screw into their proper hole and use your hand to twist the screw halfway. Twist all the screws in halfway to ensure the holes will match up properly and the product is level on the ground. When everything seems fitted, then tighten the screws.
- When you have completed assembly, we suggest you have more than one person to assist you with lifting and placing the product.

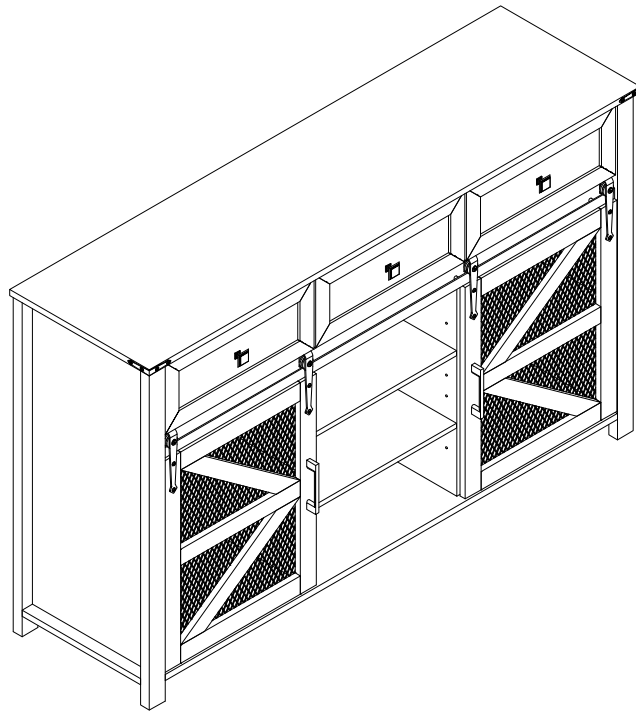
Care & Maintenance

- ⊘  ● Do not put hot items directly on furniture surface
- ⊘  ● Do not clean furniture with harsh cleansers or polish
- ⊘  ● Do not place furniture under direct sunlight
- ⊘  ● Do not place furniture near heating or cooling vents
- ⊘  ● Do not write on furniture without a padded barrier to protect the surface
- ⊘  ● Do not place furniture outside. For indoor use only
- ⊘  ● Not for commercial use. For residential use only
- ⊘  ● Stains may be removed with mild soap solution and damp cloth
- ⊘  ● Children should not climb or jump on the furniture
- ✓  ● Dust and pick-up spills using a clean, non-colored, lint-free cloth

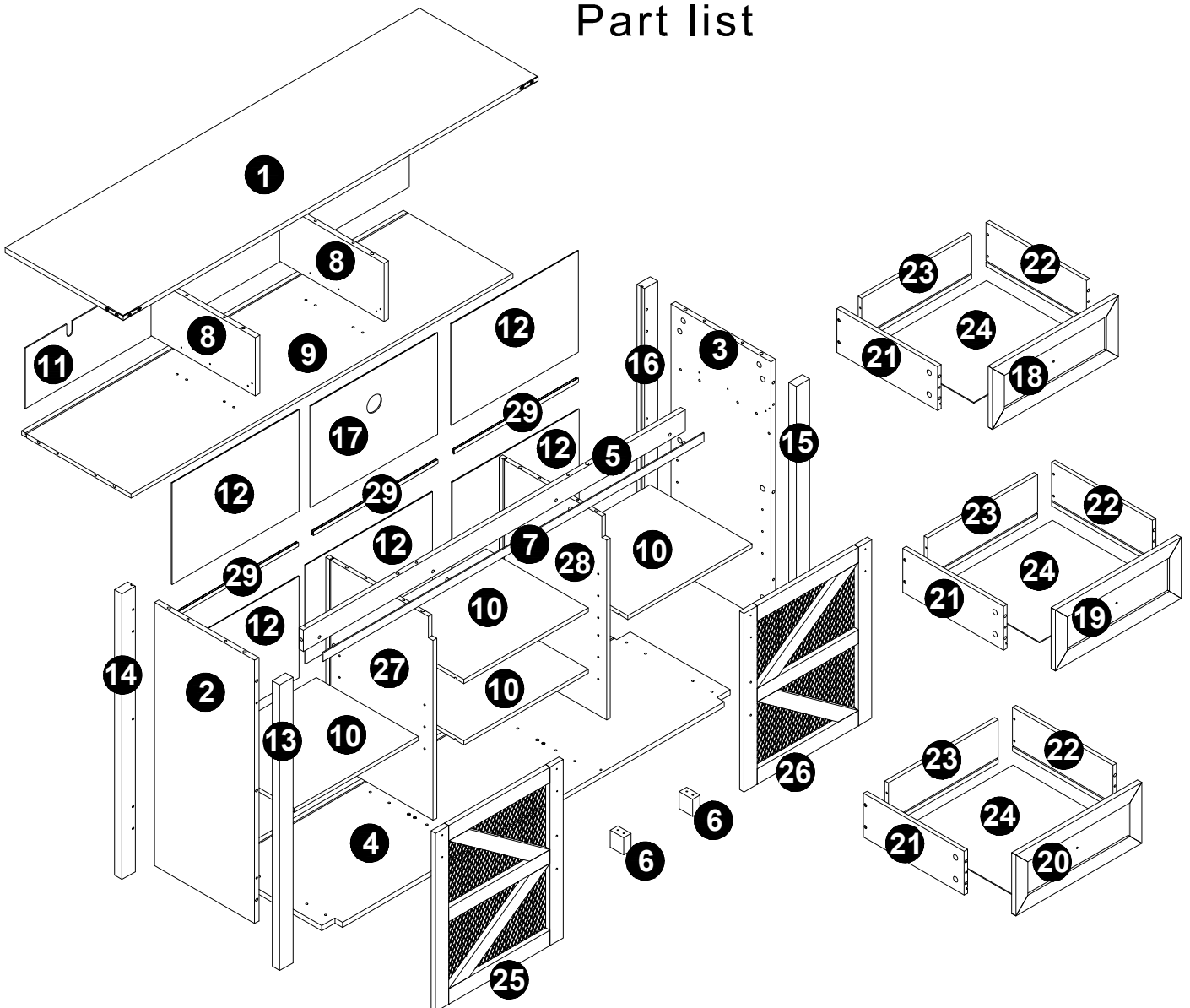
Caution

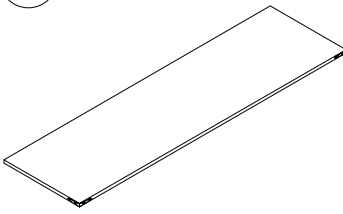
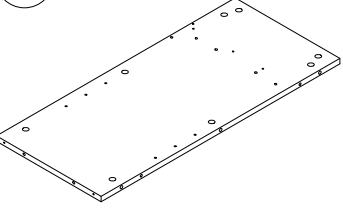
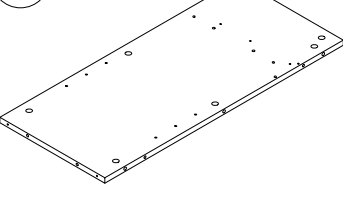
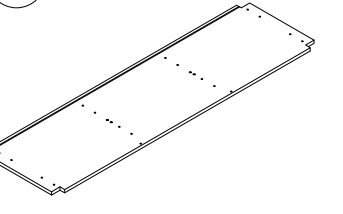
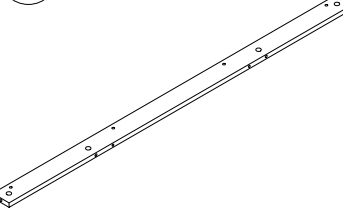
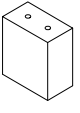
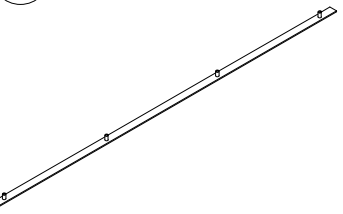
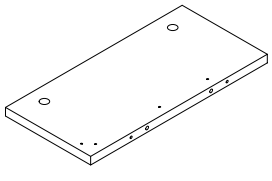
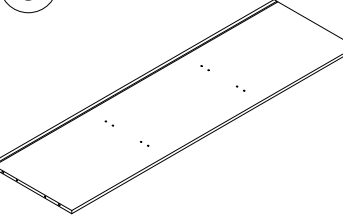
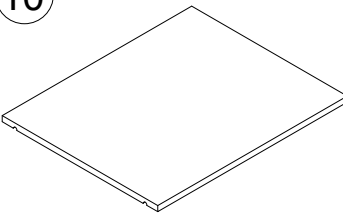
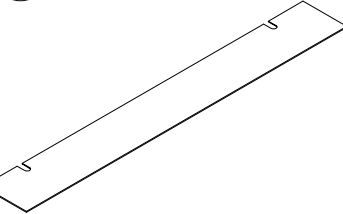
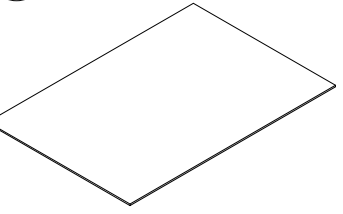
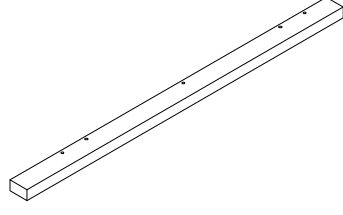
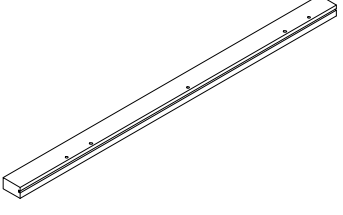
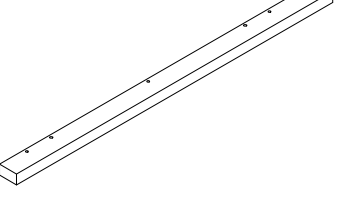
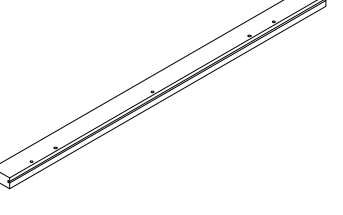
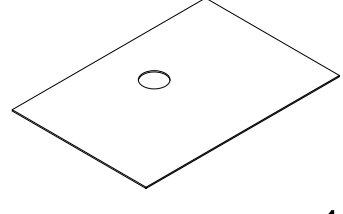
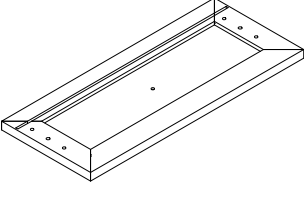
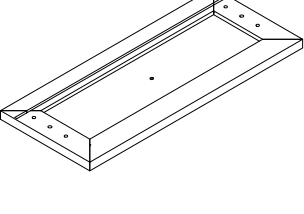
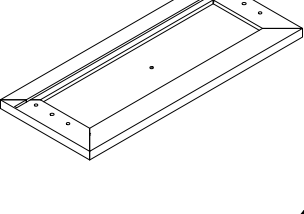
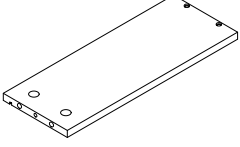
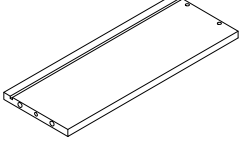
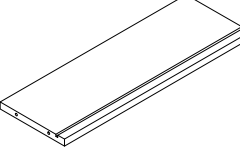
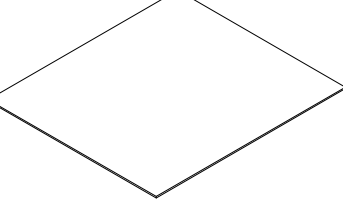
- This product contains small components. Please ensure that they are kept away from small children.
- Do not use power tools to assemble your furniture. Power tools may strip or damage the parts.

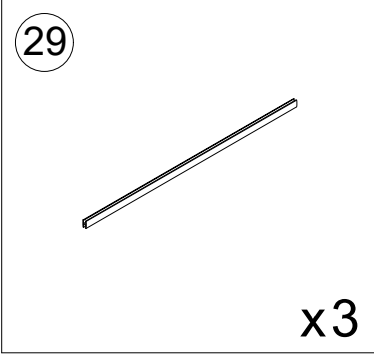
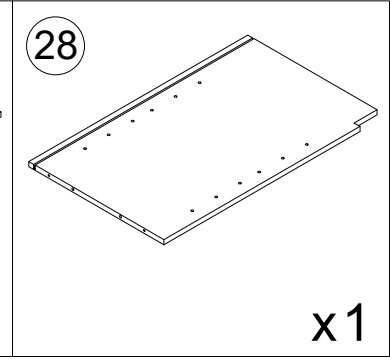
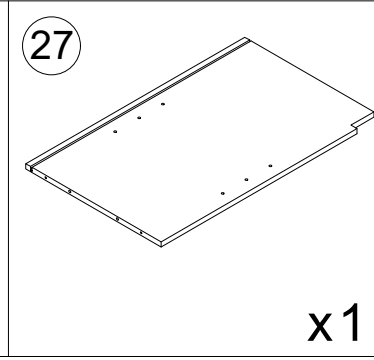
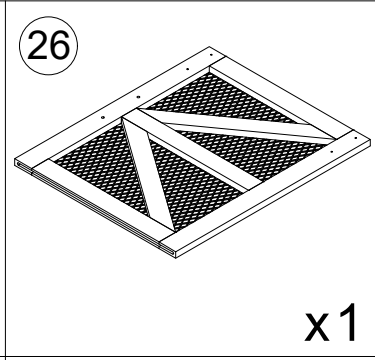
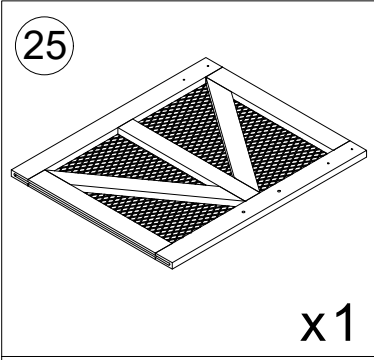


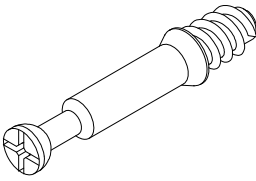
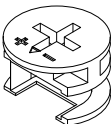
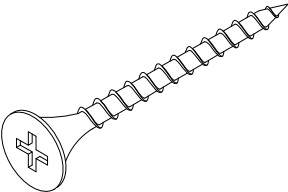
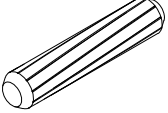
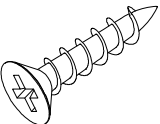
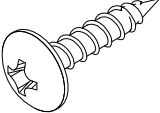
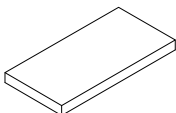
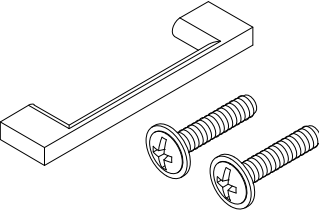
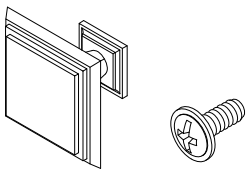
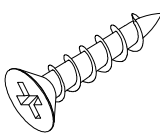
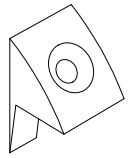
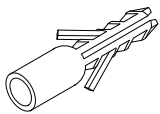
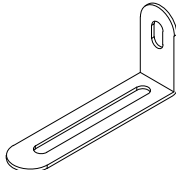
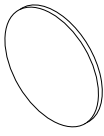
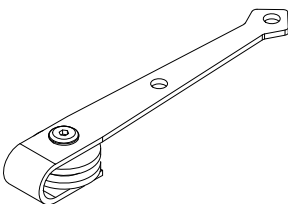
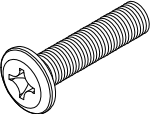
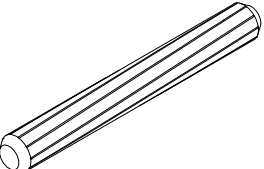
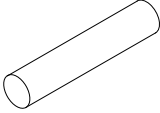
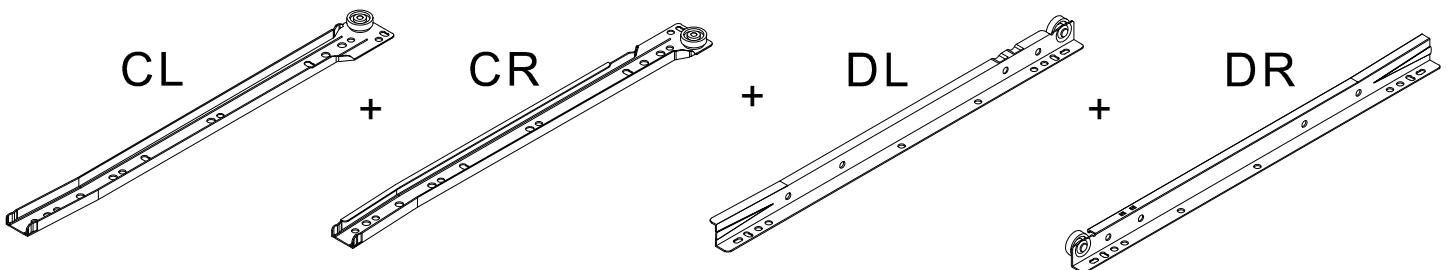


Part list

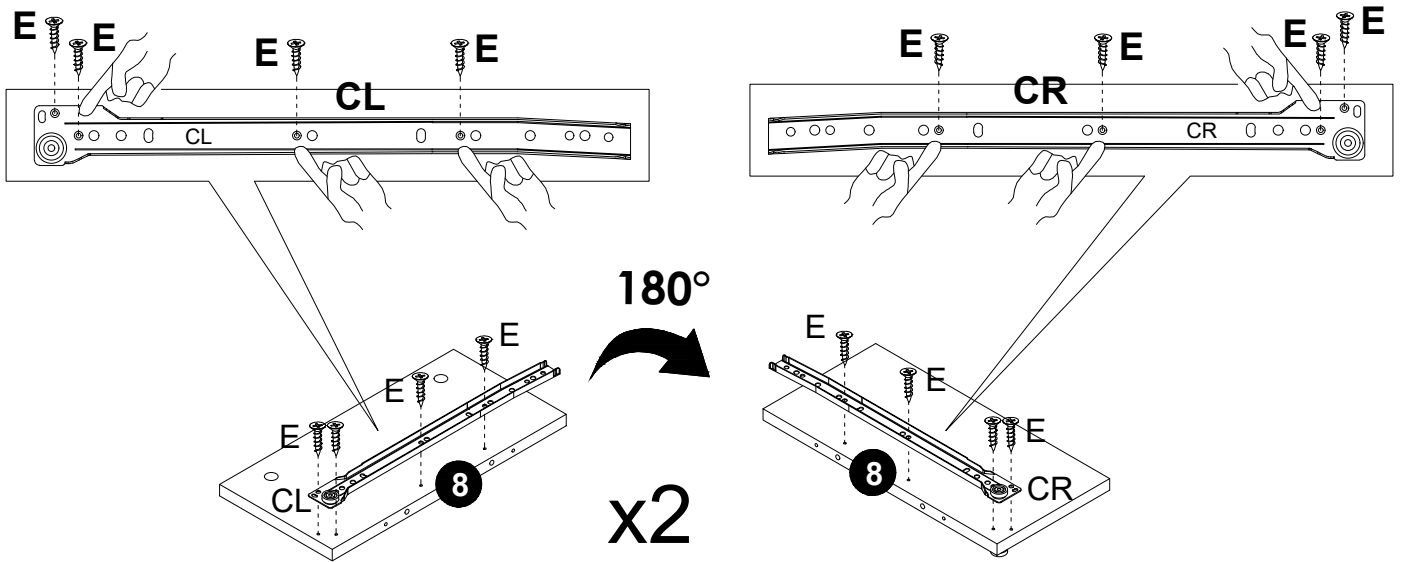


<p>①</p>  <p>x1</p>	<p>②</p>  <p>x1</p>	<p>③</p>  <p>x1</p>	<p>④</p>  <p>x1</p>
<p>⑤</p>  <p>x1</p>	<p>⑥</p>  <p>x2</p>	<p>⑦</p>  <p>x1</p>	<p>⑧</p>  <p>x2</p>
<p>⑨</p>  <p>x1</p>	<p>⑩</p>  <p>x4</p>	<p>⑪</p>  <p>x1</p>	<p>⑫</p>  <p>x5</p>
<p>⑬</p>  <p>x1</p>	<p>⑭</p>  <p>x1</p>	<p>⑮</p>  <p>x1</p>	<p>⑯</p>  <p>x1</p>
<p>⑰</p>  <p>x1</p>	<p>⑱</p>  <p>x1</p>	<p>⑲</p>  <p>x1</p>	<p>⑳</p>  <p>x1</p>
<p>㉑</p>  <p>x3</p>	<p>㉒</p>  <p>x3</p>	<p>㉓</p>  <p>x3</p>	<p>㉔</p>  <p>x3</p>

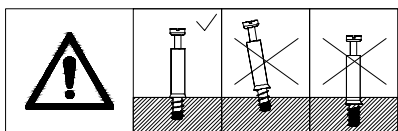
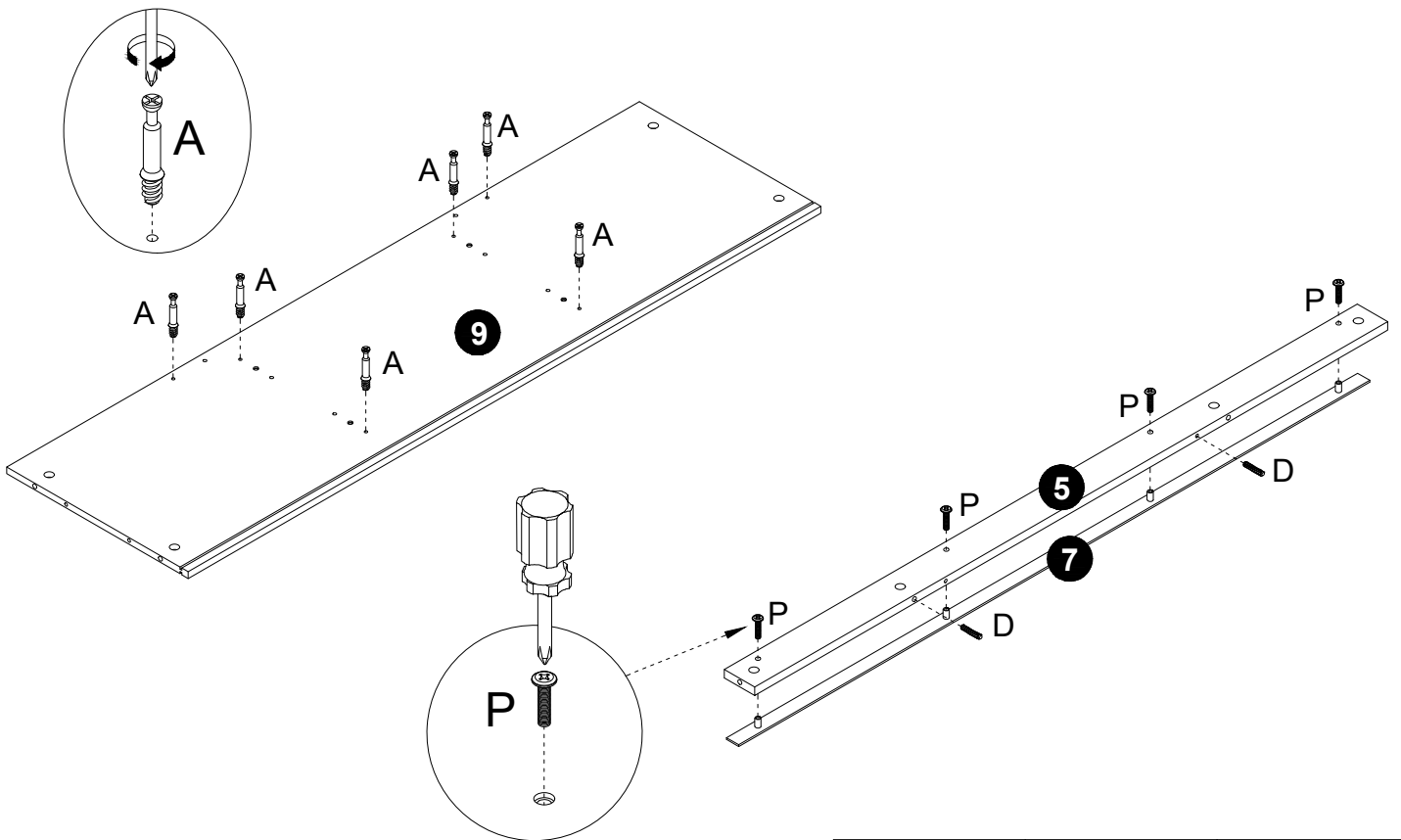


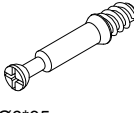


 Ø6*35mm	 Ø15*9mm	 4x40mm	 6x30mm
Ax44	Bx44	Cx30	Dx36
 3x12mm	 4x14mm	 40x20mm	 4x18mm
Ex42	Fx10	Gx6	Hx2
 Ix3	 3x14mm	 Kx18	 6x30mm
Ix3	Jx18	Kx18	Lx2
 Mx2	 Ø20mm	 Ox4	 6x25mm
Mx2	Nx16	Ox4	Px4
 6x50mm	 5x20mm		
Qx4	Sx18		
			
350mm			
x3			

STEP 1

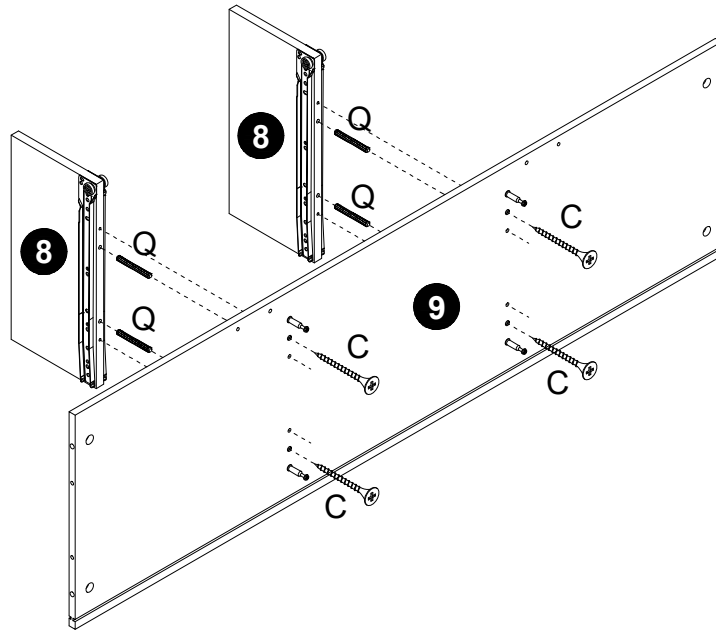


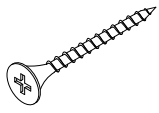
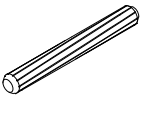
STEP 2



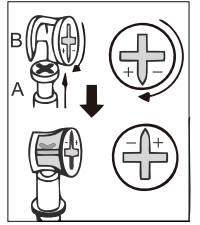
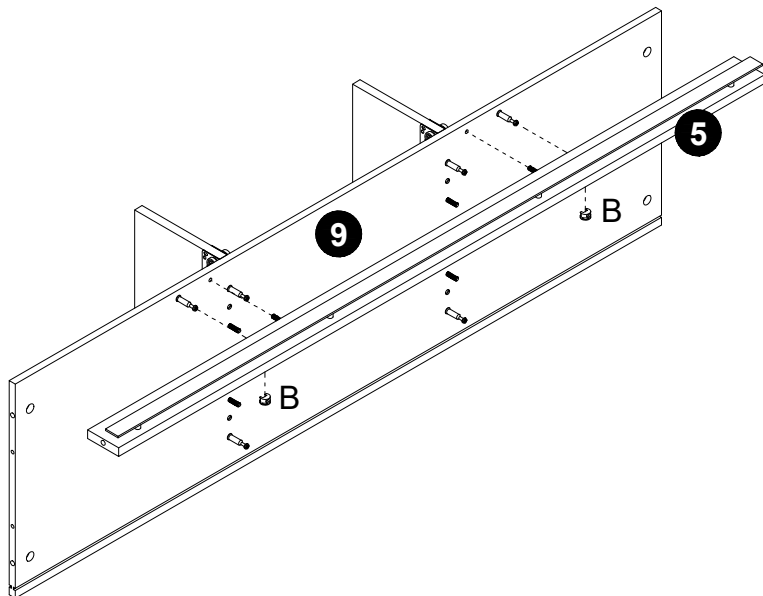
		
Ø6*35mm Ax6	6x30mm Dx2	6x25mm Px4


STEP 3



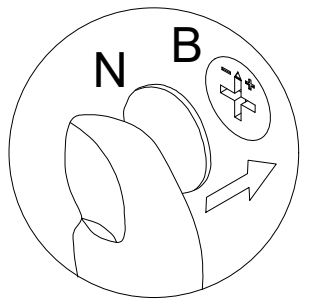
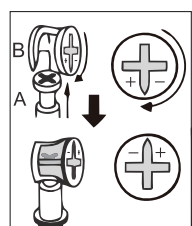
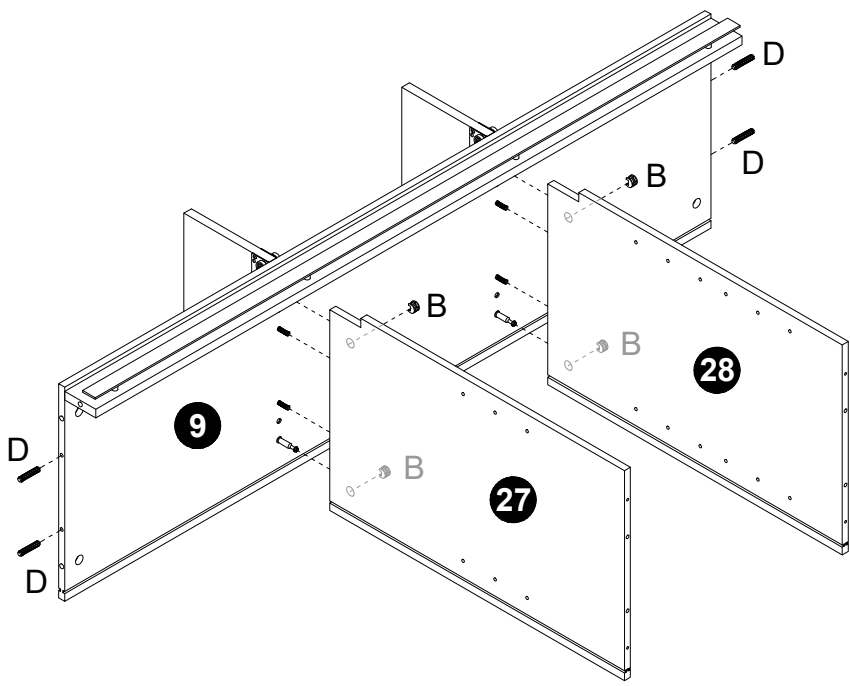
	
4x40mm C x 4	6x50mm Q x 4

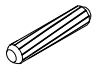

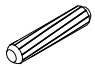

STEP 4




Ø15*9mm B x 2

STEP 5

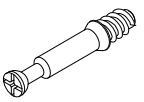

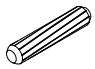



	
Ø15*9mm B x 4	Ø20mm N x 4
	
6x30mm D x 4	Ø20mm N x 4

STEP 6

Diagram illustrating the assembly of the seat base (3) with side rails (15, 16) using screws (A, B, D) and washers (N).

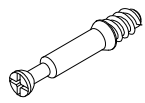
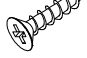
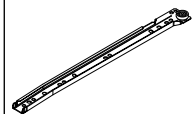
Parts list:

			
Ø6*35mm	Ø15*9mm	6x30mm	Ø20mm
Ax6	Bx6	Dx4	Nx6

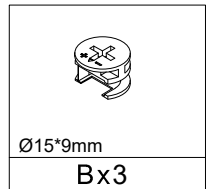
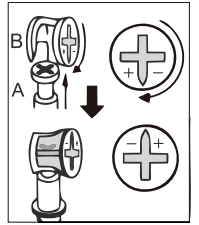
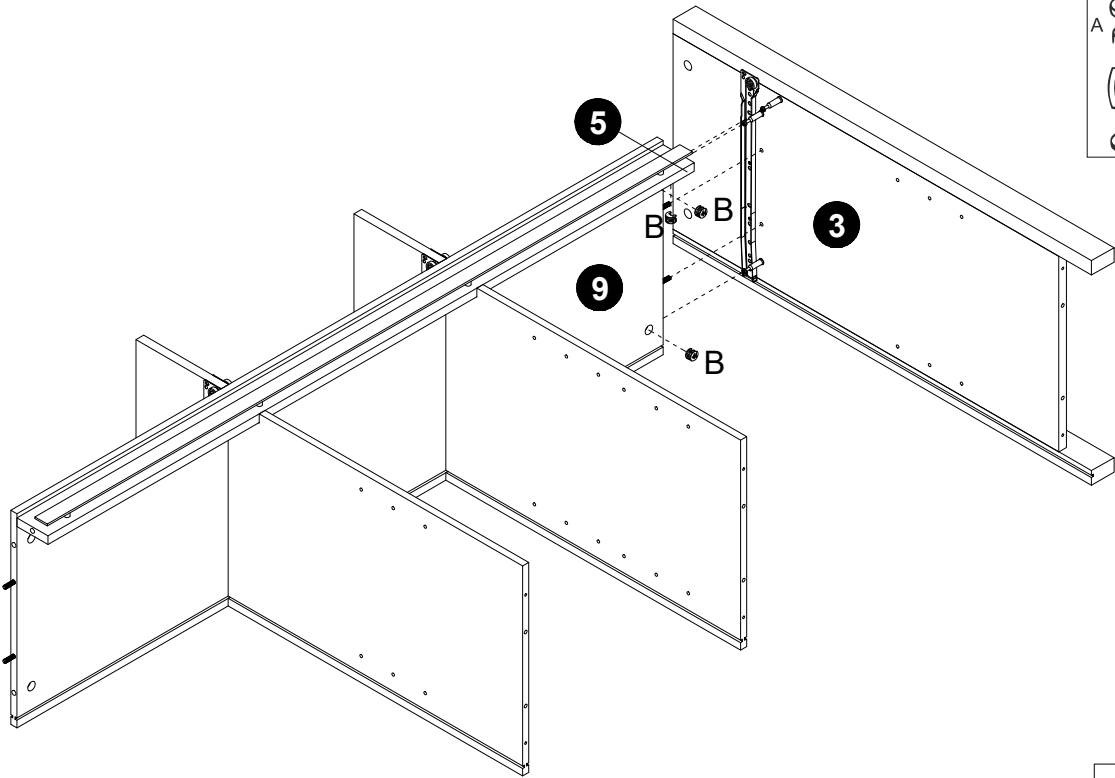
STEP 7

Diagram illustrating the assembly of the backrest (CR) to the seat base (3) using screws (A, E) and a backrest rod (CR).

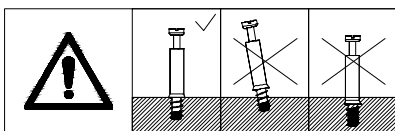
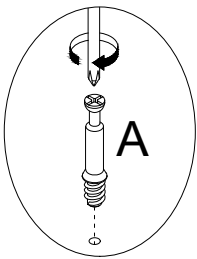
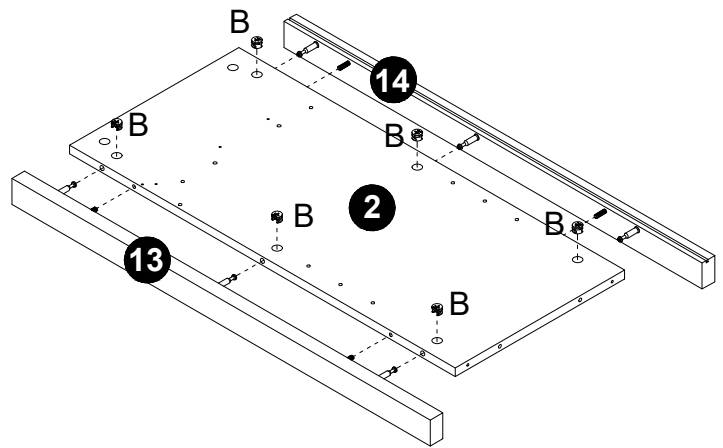
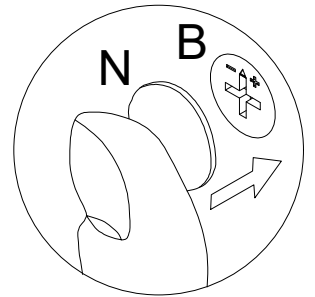
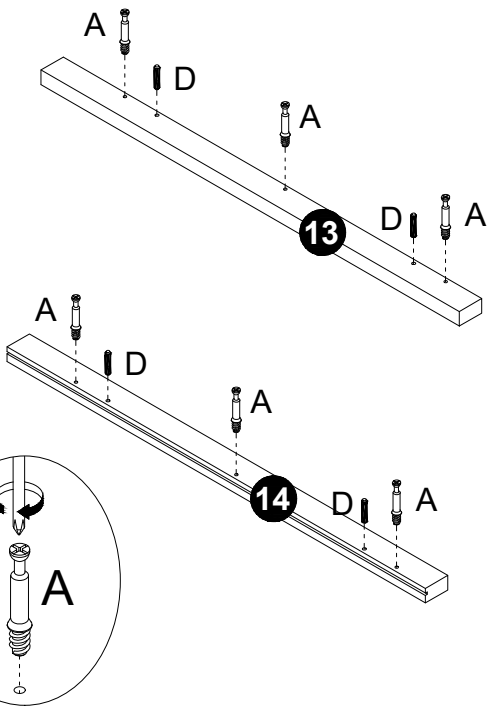
Parts list:

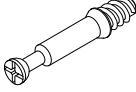

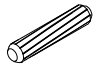

		
Ø6*35mm	3x12mm	CRx1
Ax3	Ex4	CRx1

STEP 8

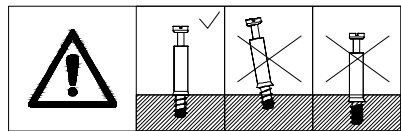
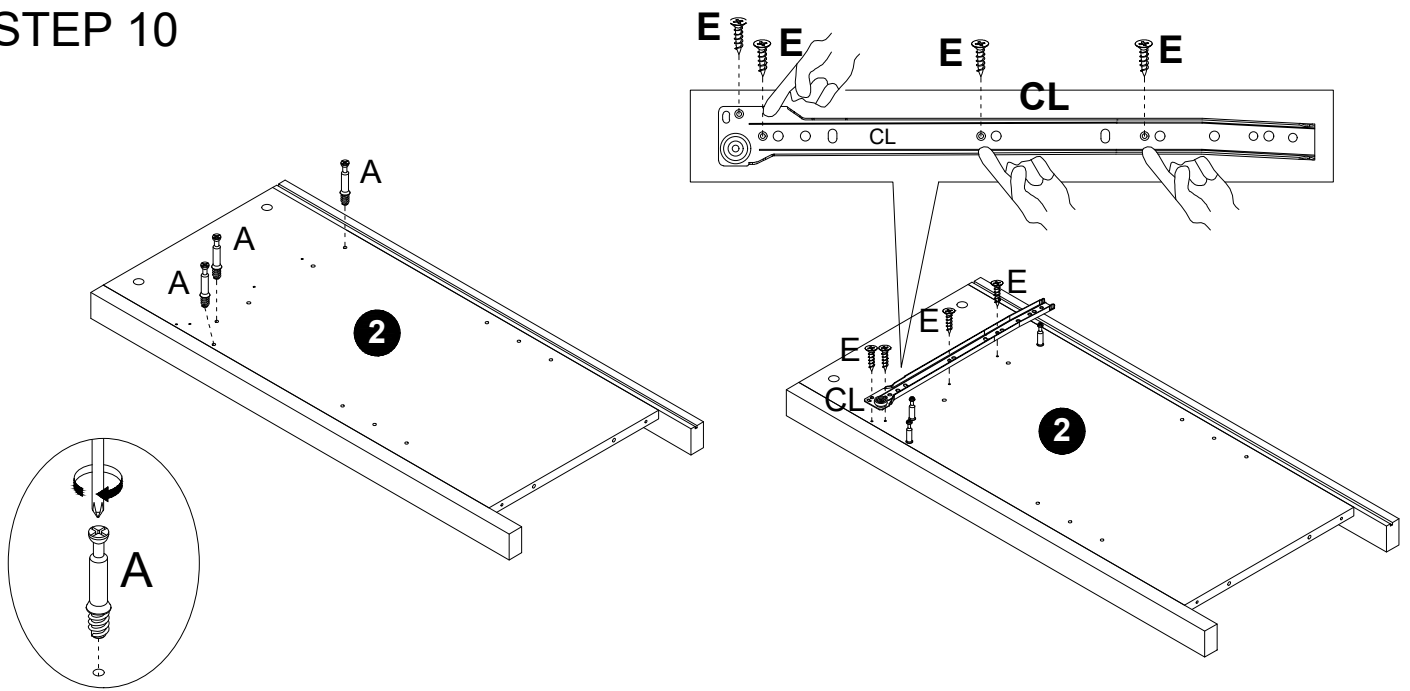


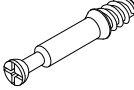
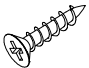
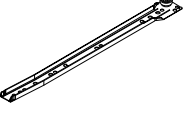
STEP 9



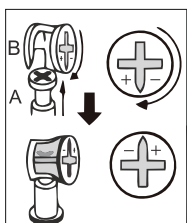
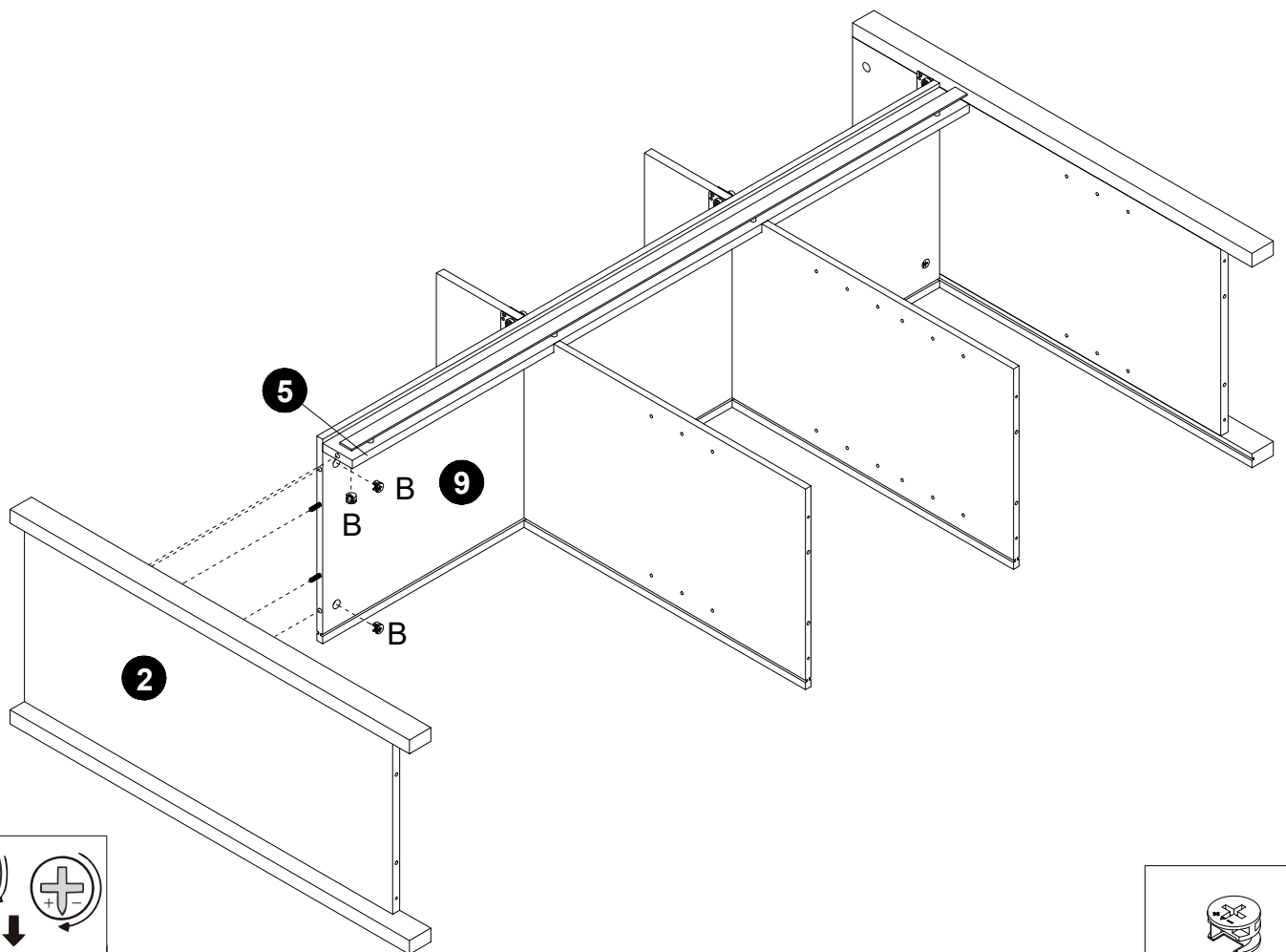
			
Ø6*35mm Ax6	Ø15*9mm Bx6	6x30mm Dx4	Ø20mm Nx6


STEP 10



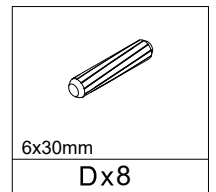
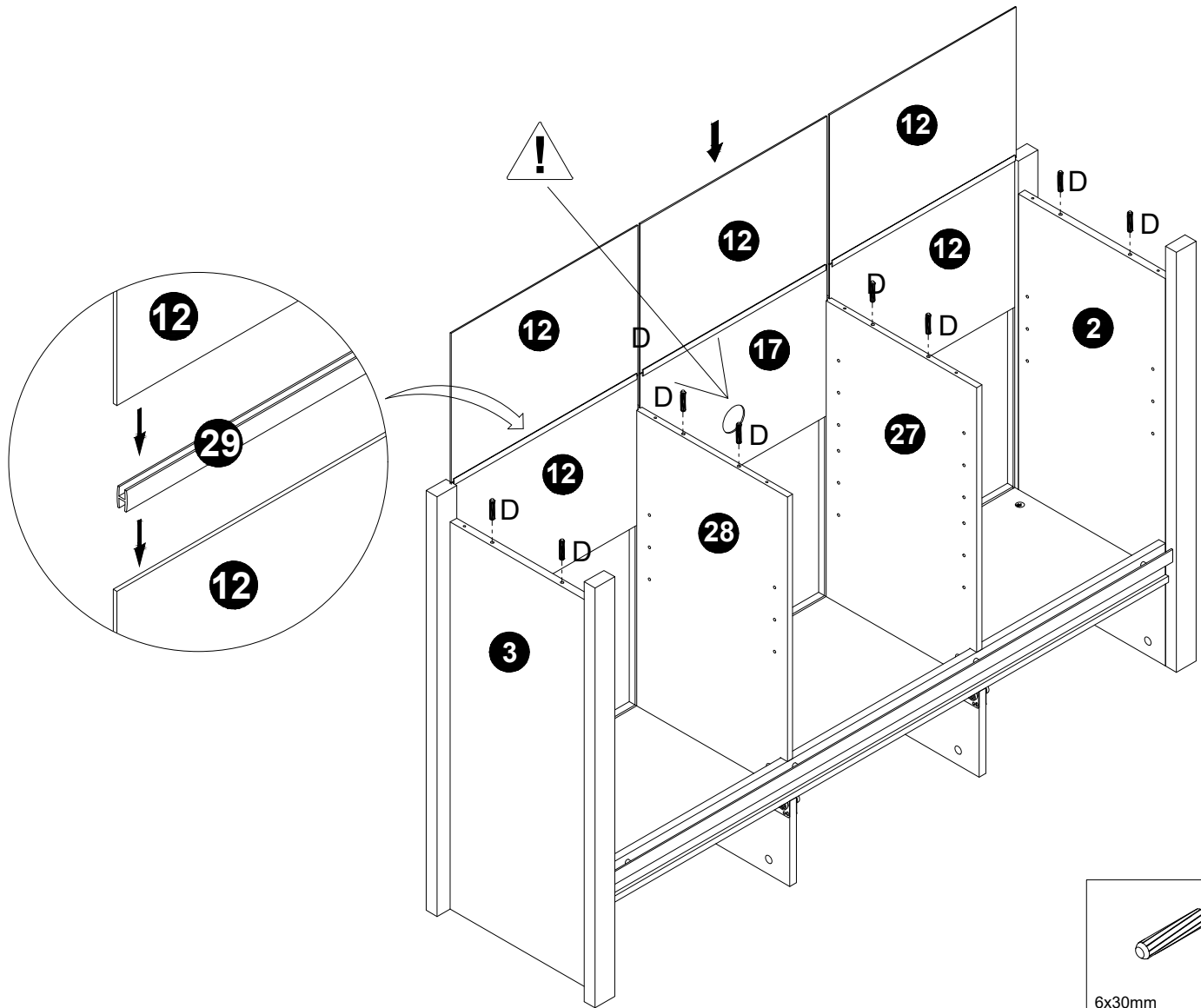
		
Ø6*35mm	3x12mm	
Ax3	Ex4	CLx1

STEP 11

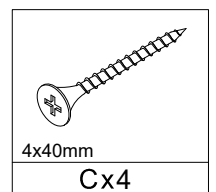
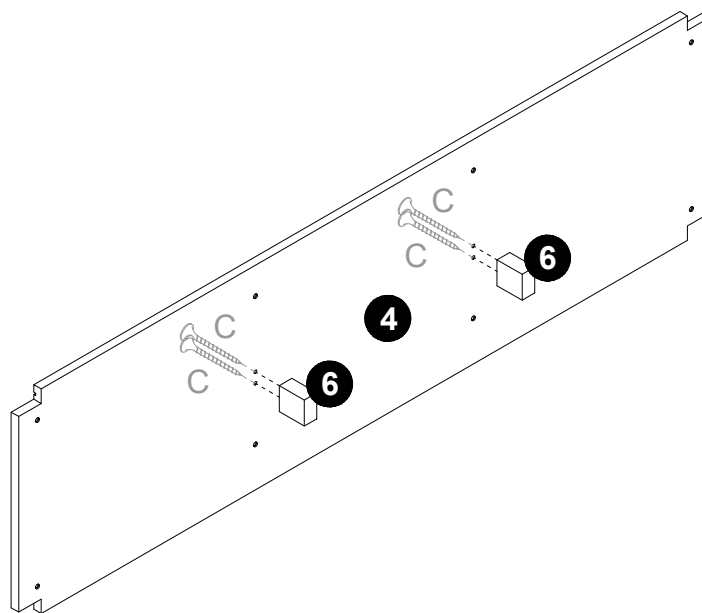



Ø15*9mm
Bx3

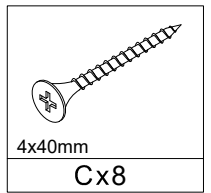
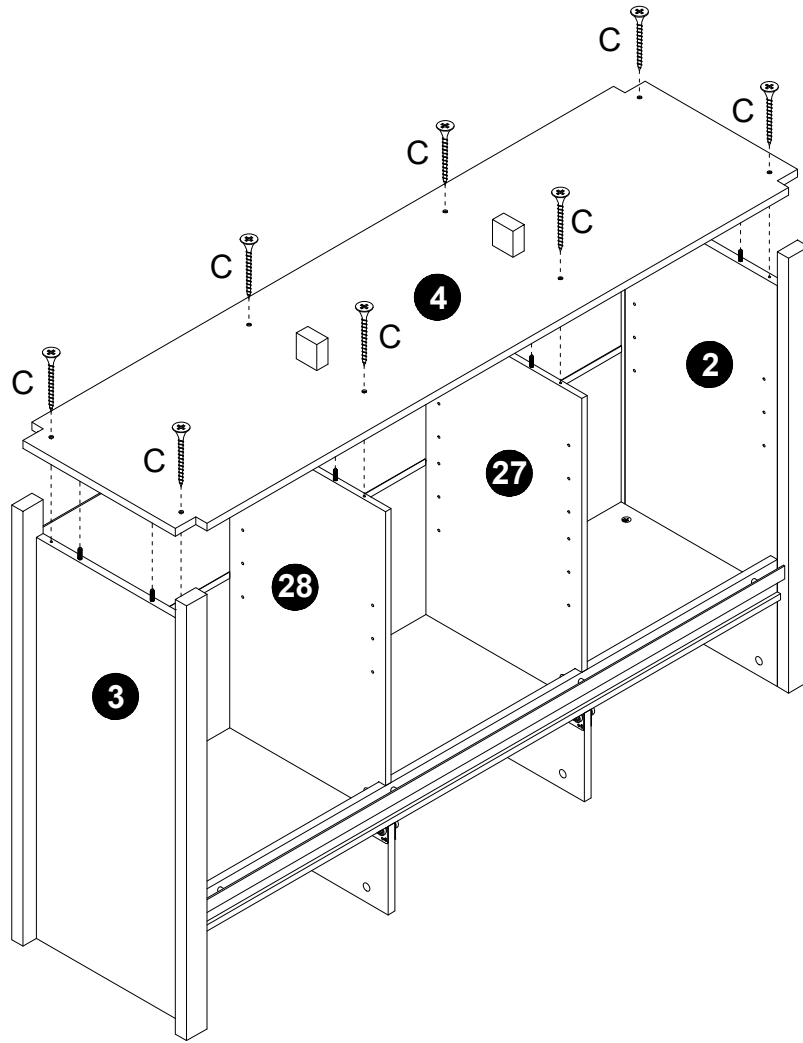
STEP 12



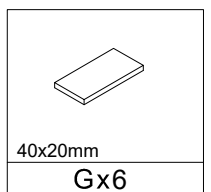
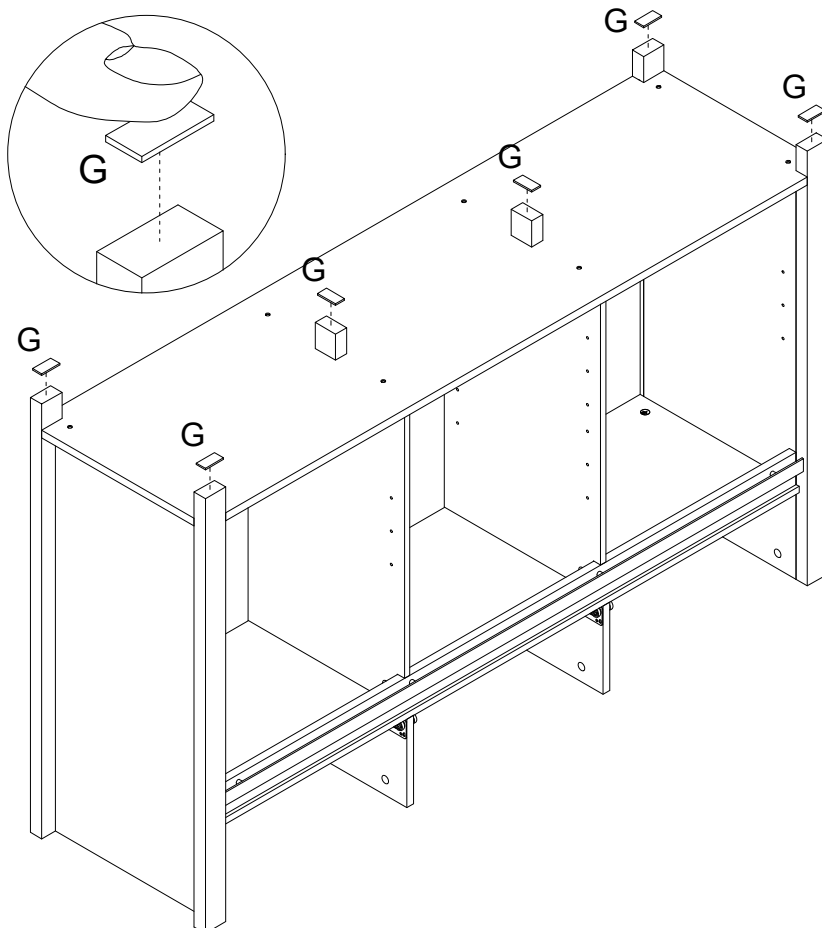
STEP 13



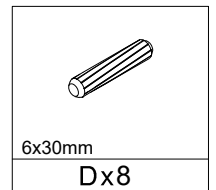
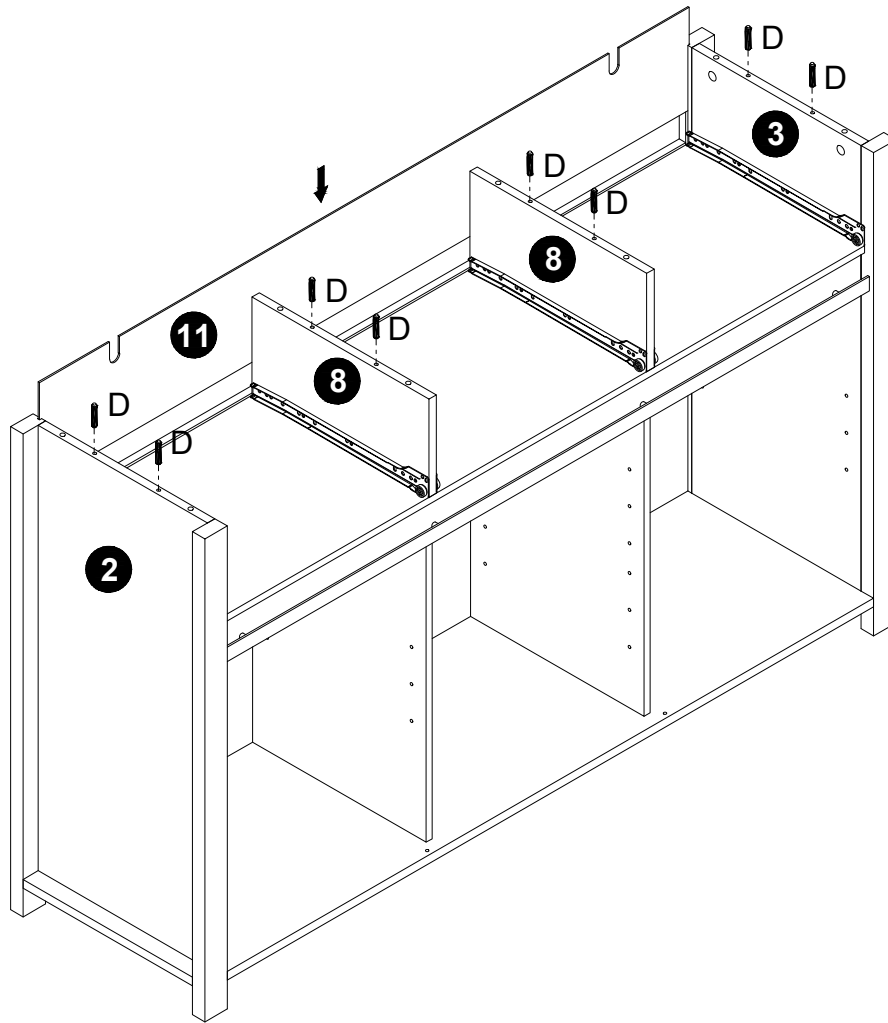
STEP 14



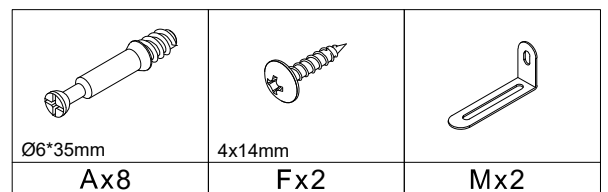
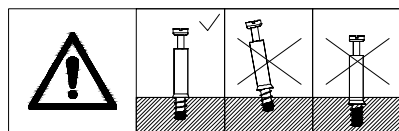
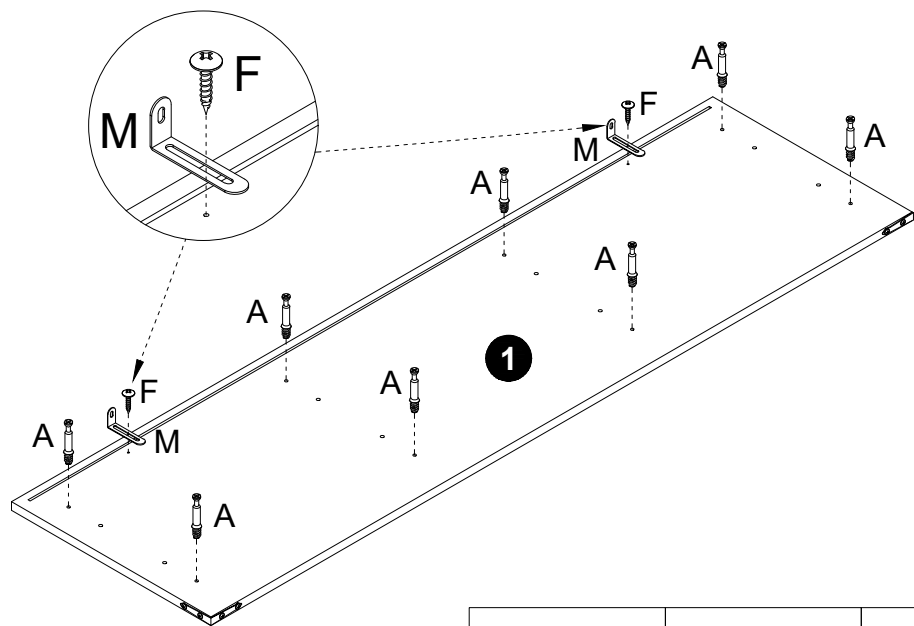
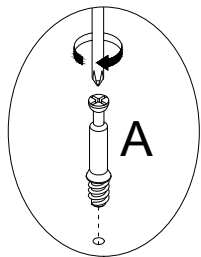
STEP 15



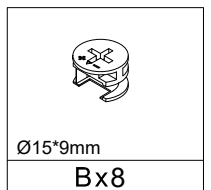
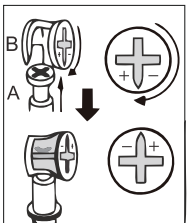
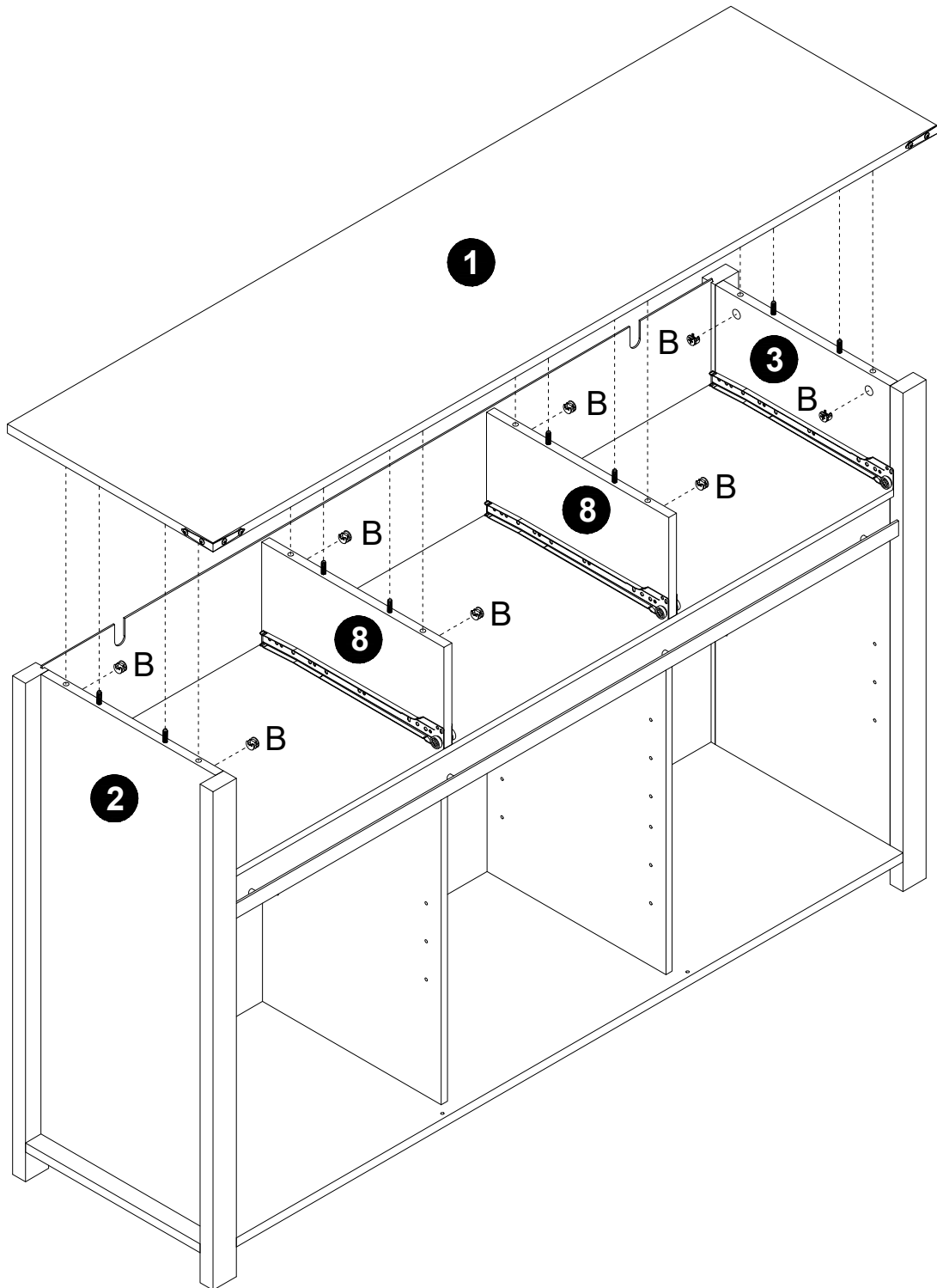
STEP 16



STEP 17

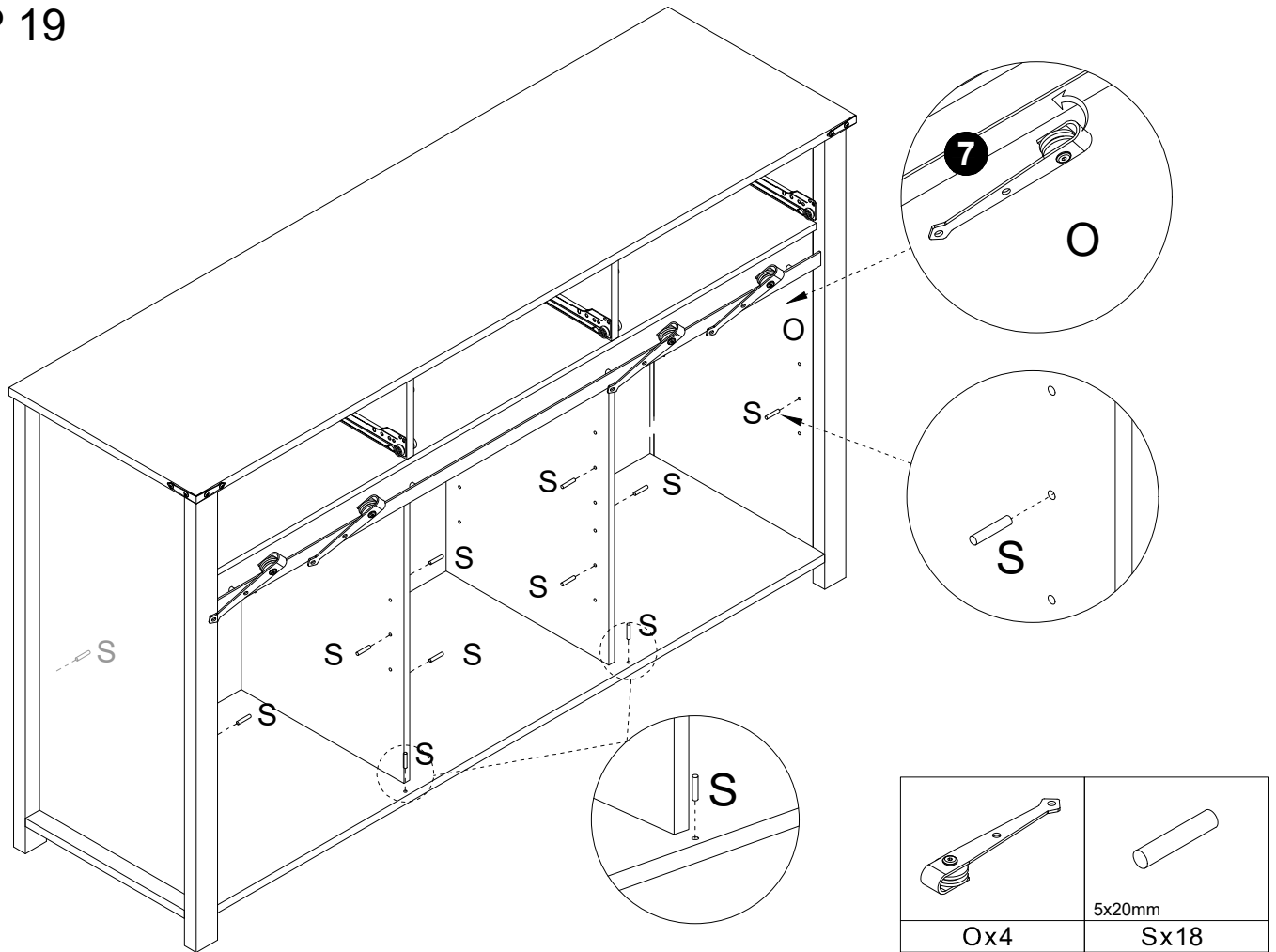


STEP 18

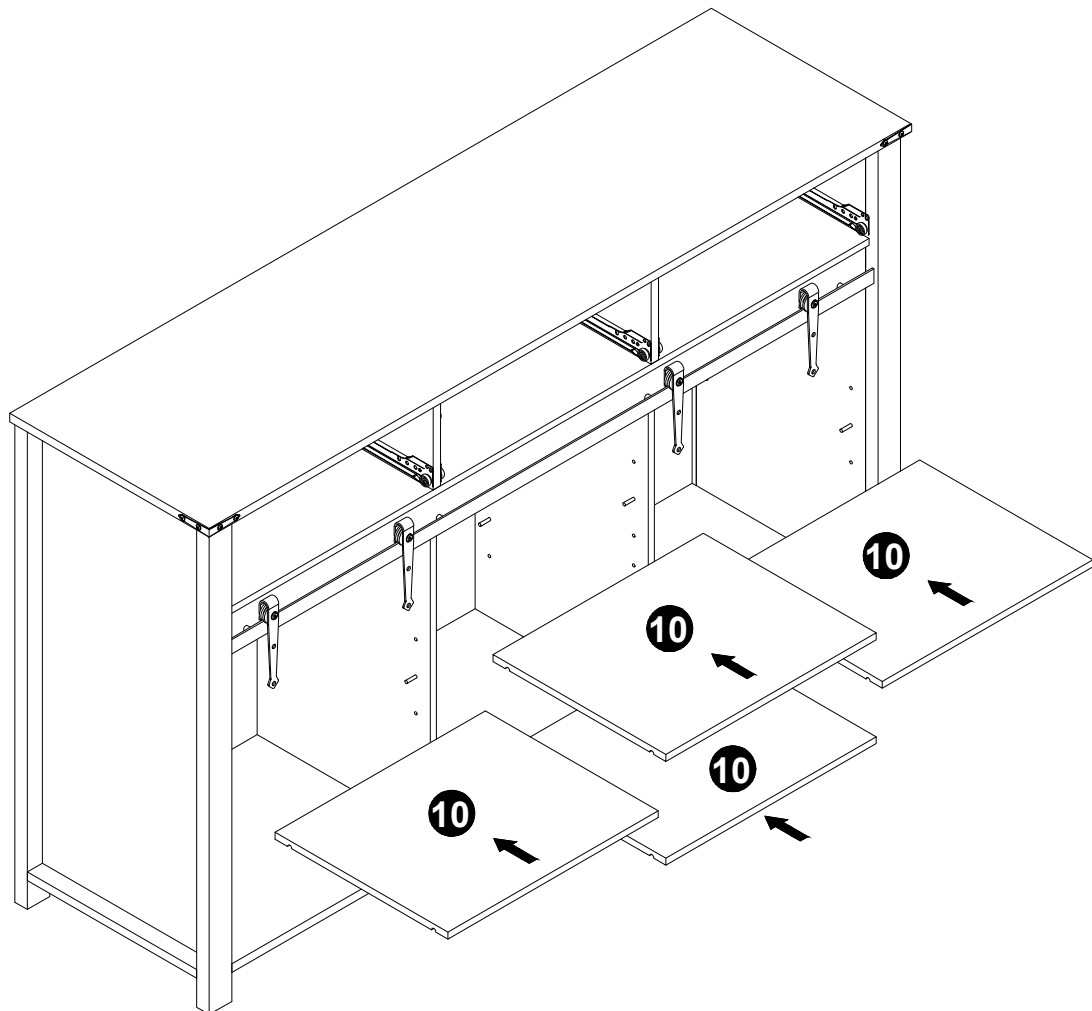


Ø15*9mm
Bx8

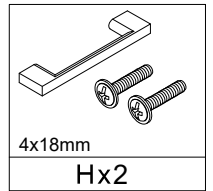
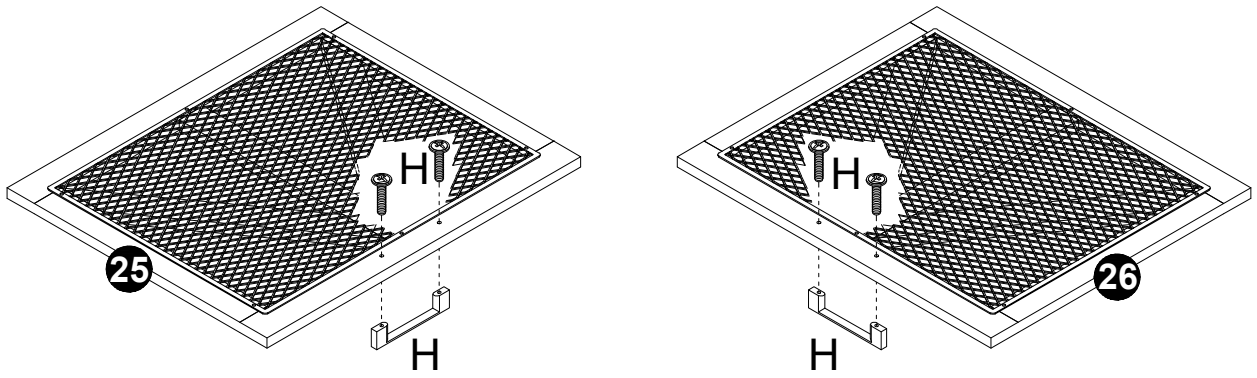
STEP 19



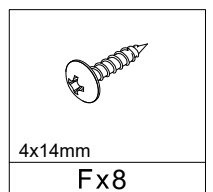
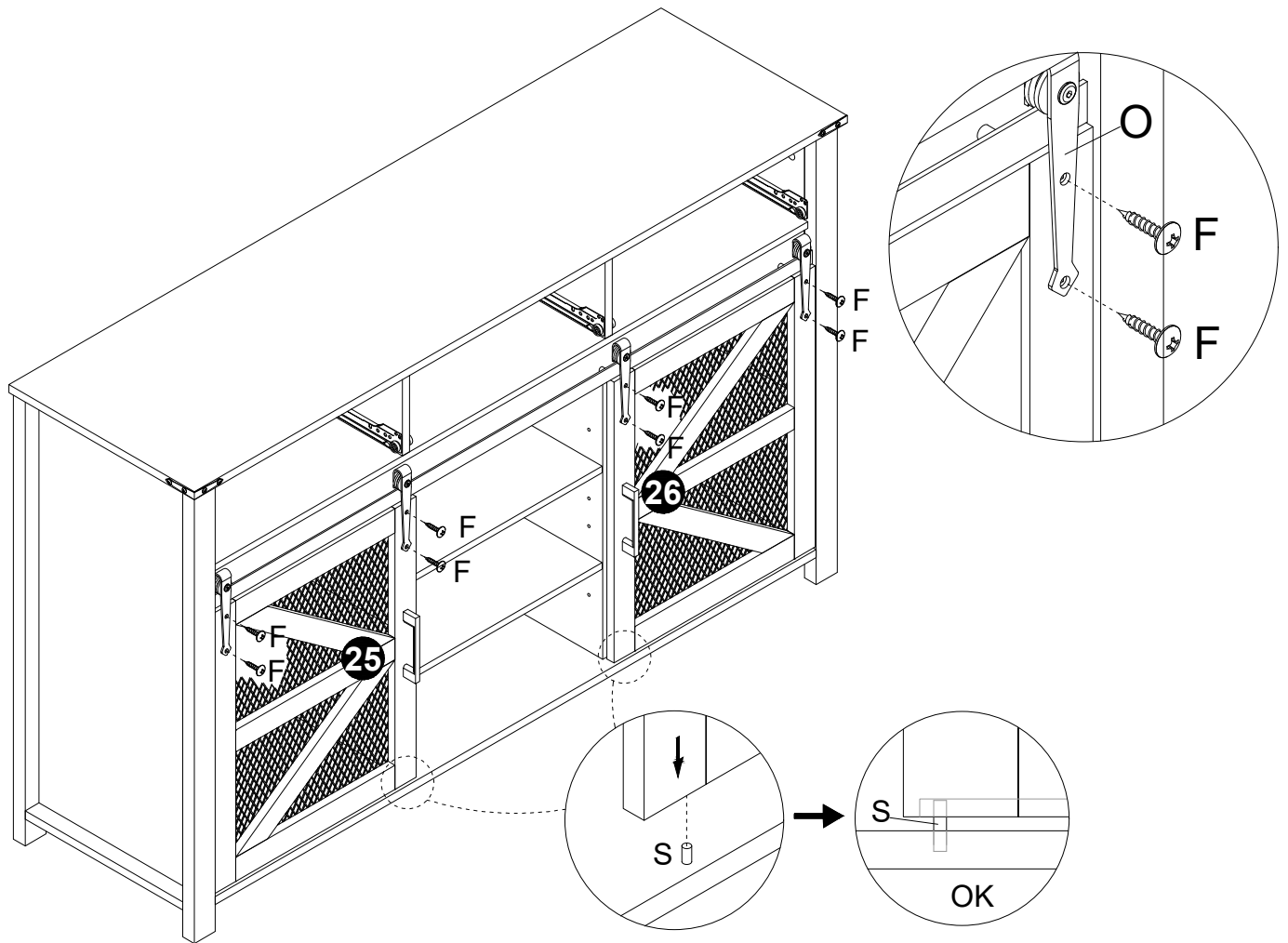
STEP 20



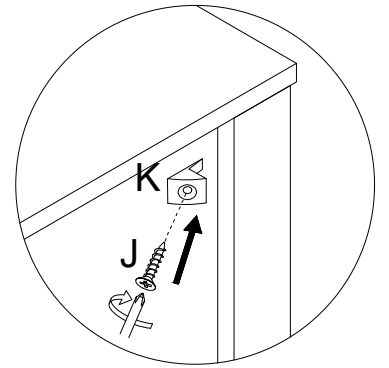
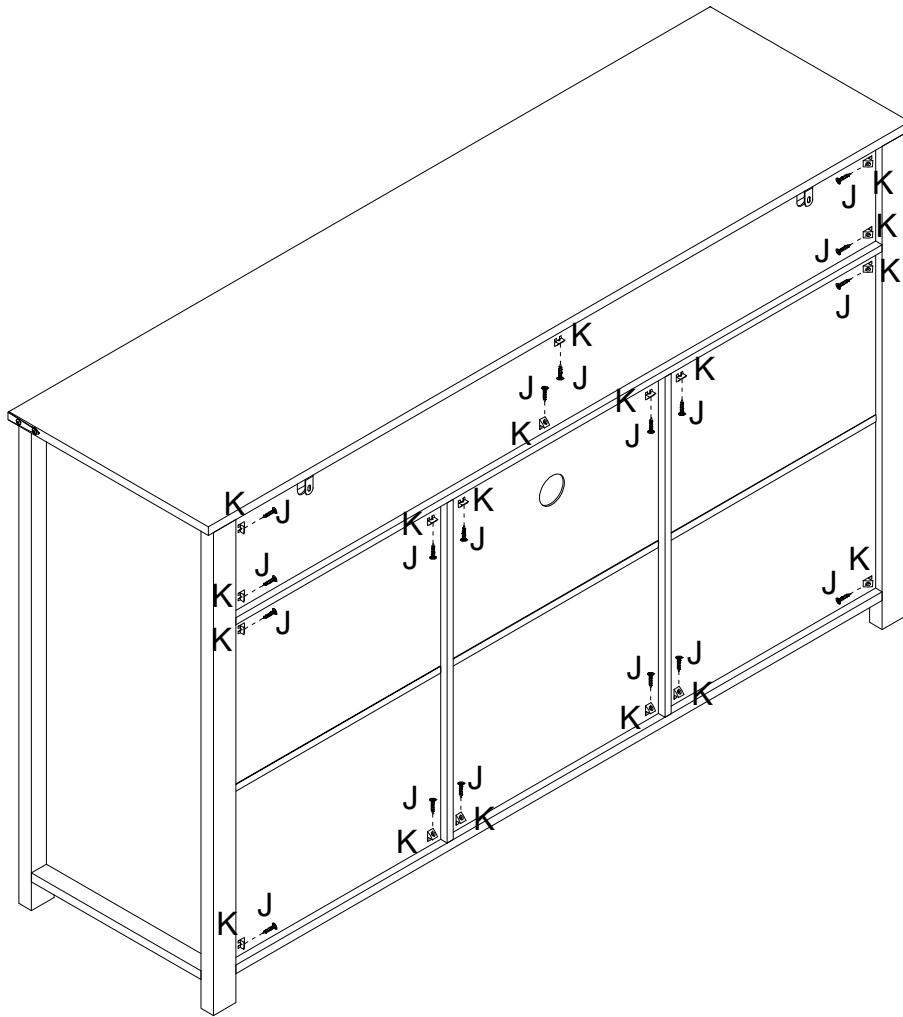
STEP 21

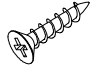



STEP 22

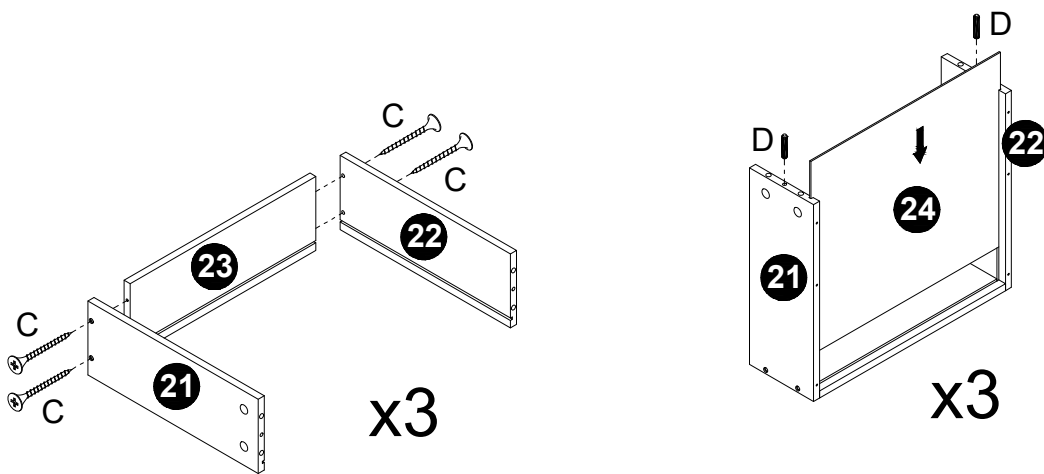


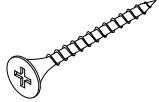
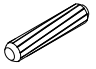
STEP 23



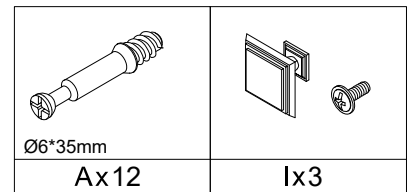
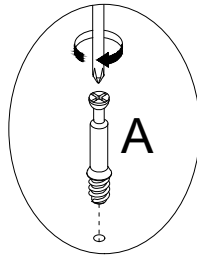
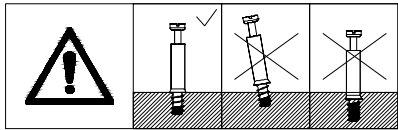
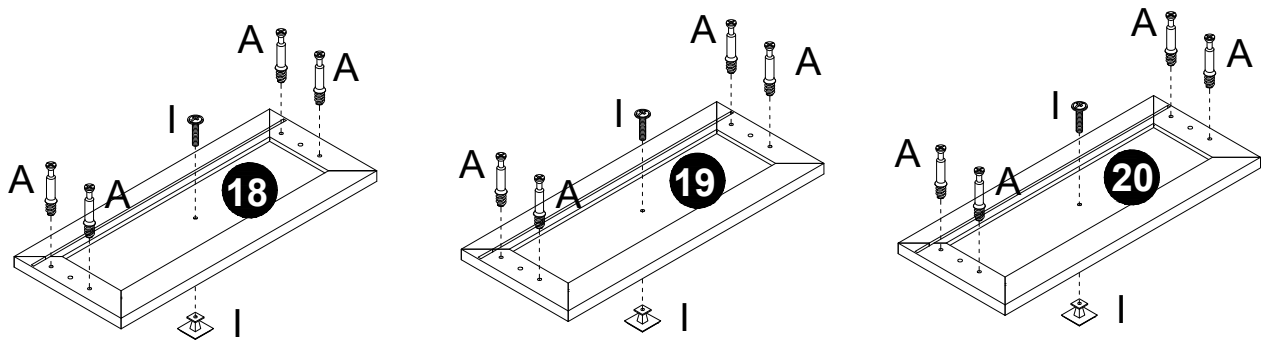
	
3x14mm	
Jx18	Kx18

STEP 24

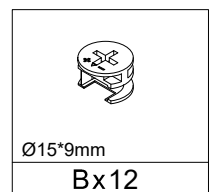
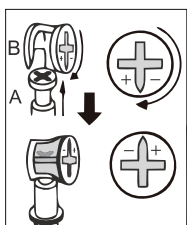
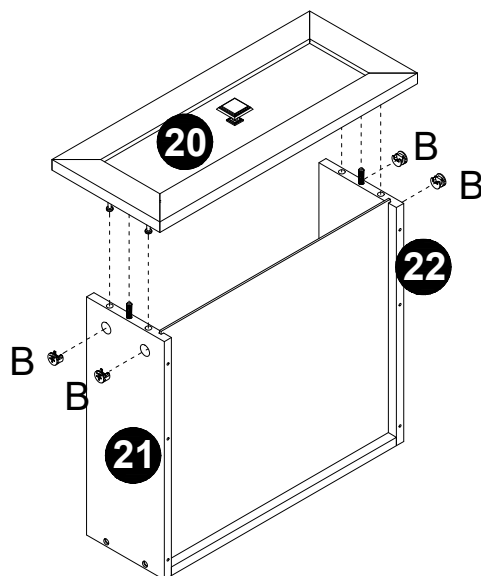
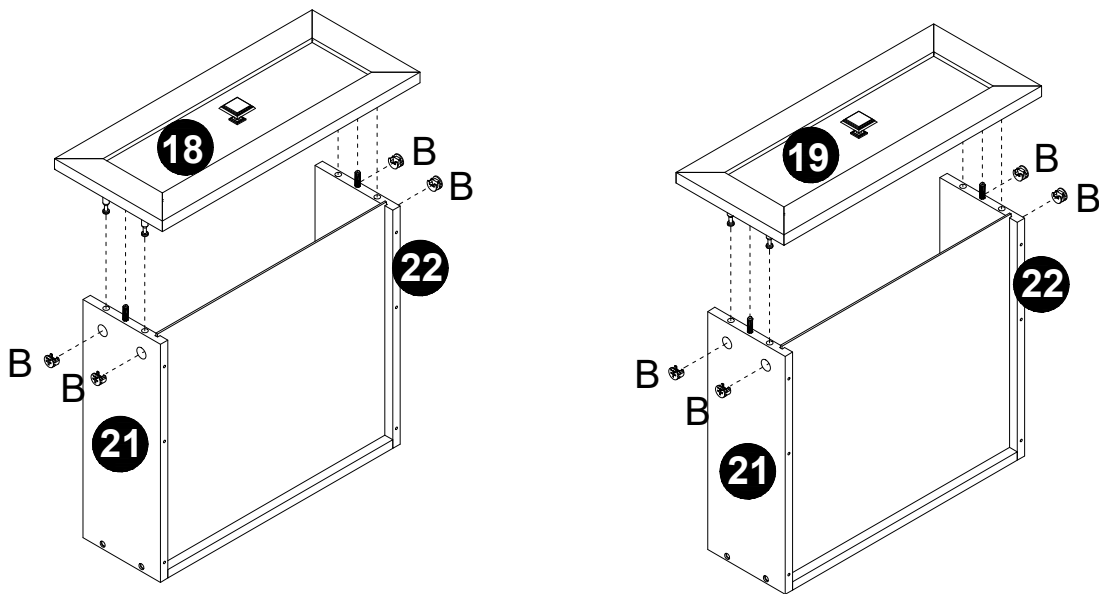


	
4x40mm	6x30mm
Cx12	Dx6

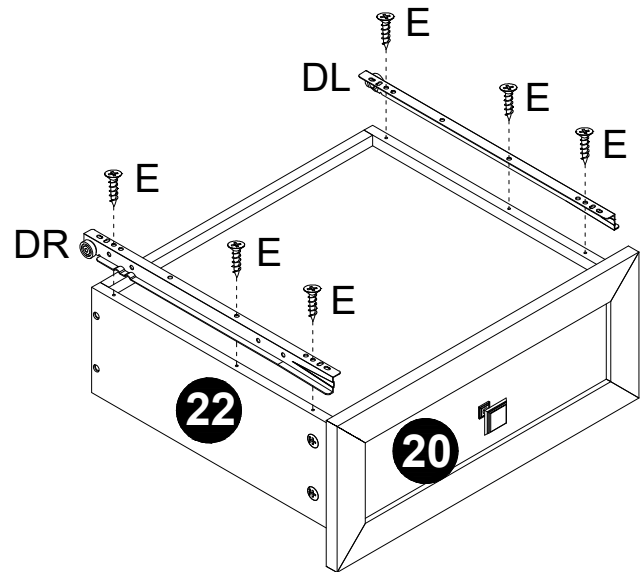
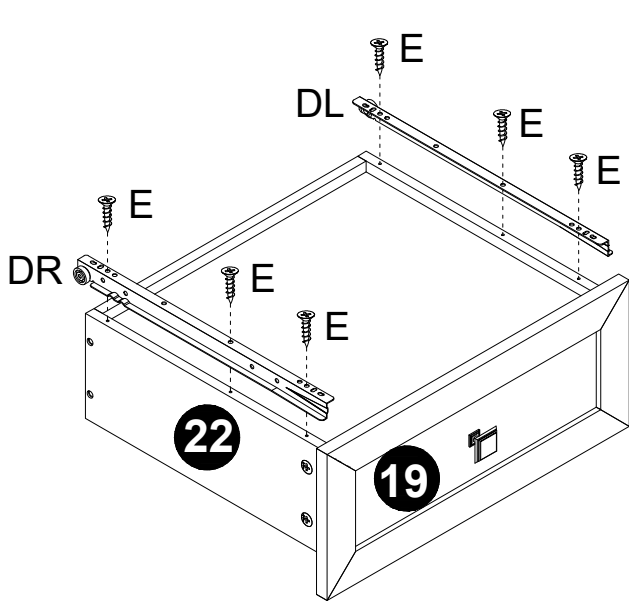
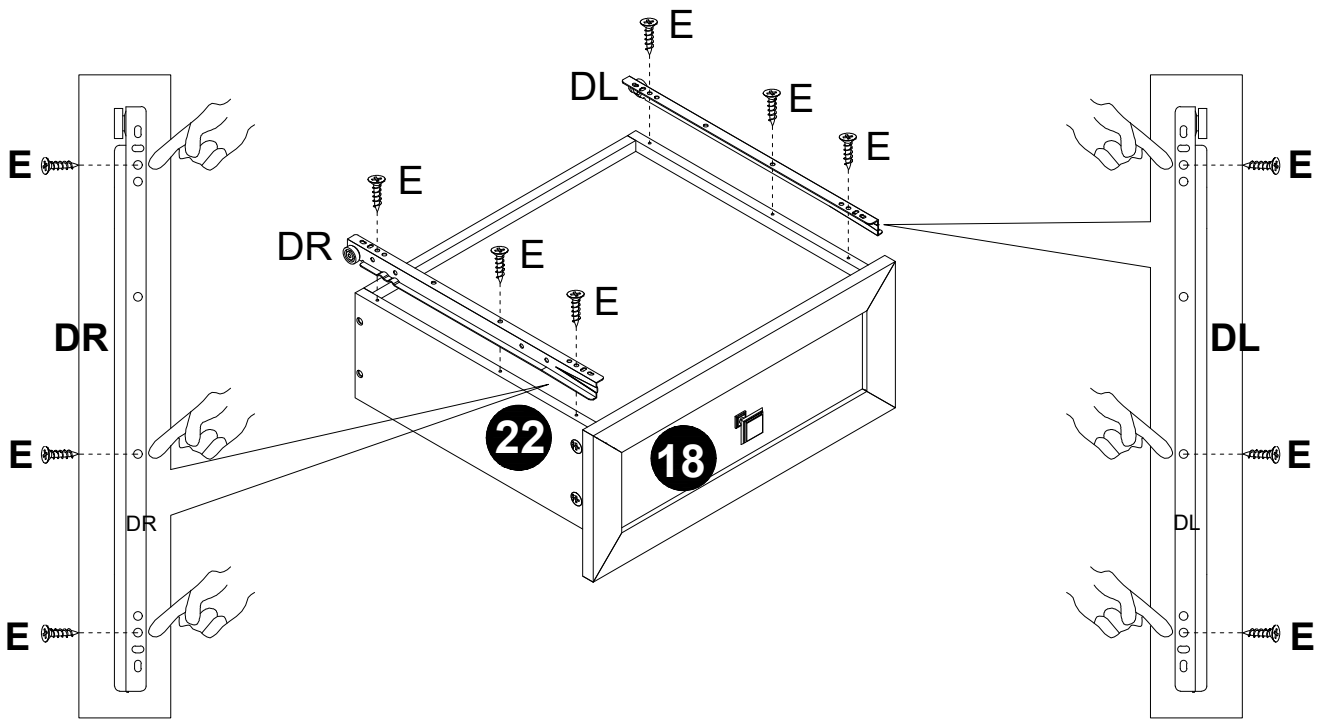
STEP 25

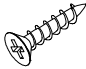
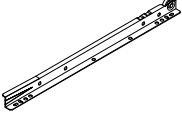
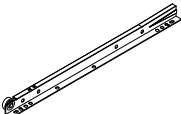


STEP 26



STEP 27



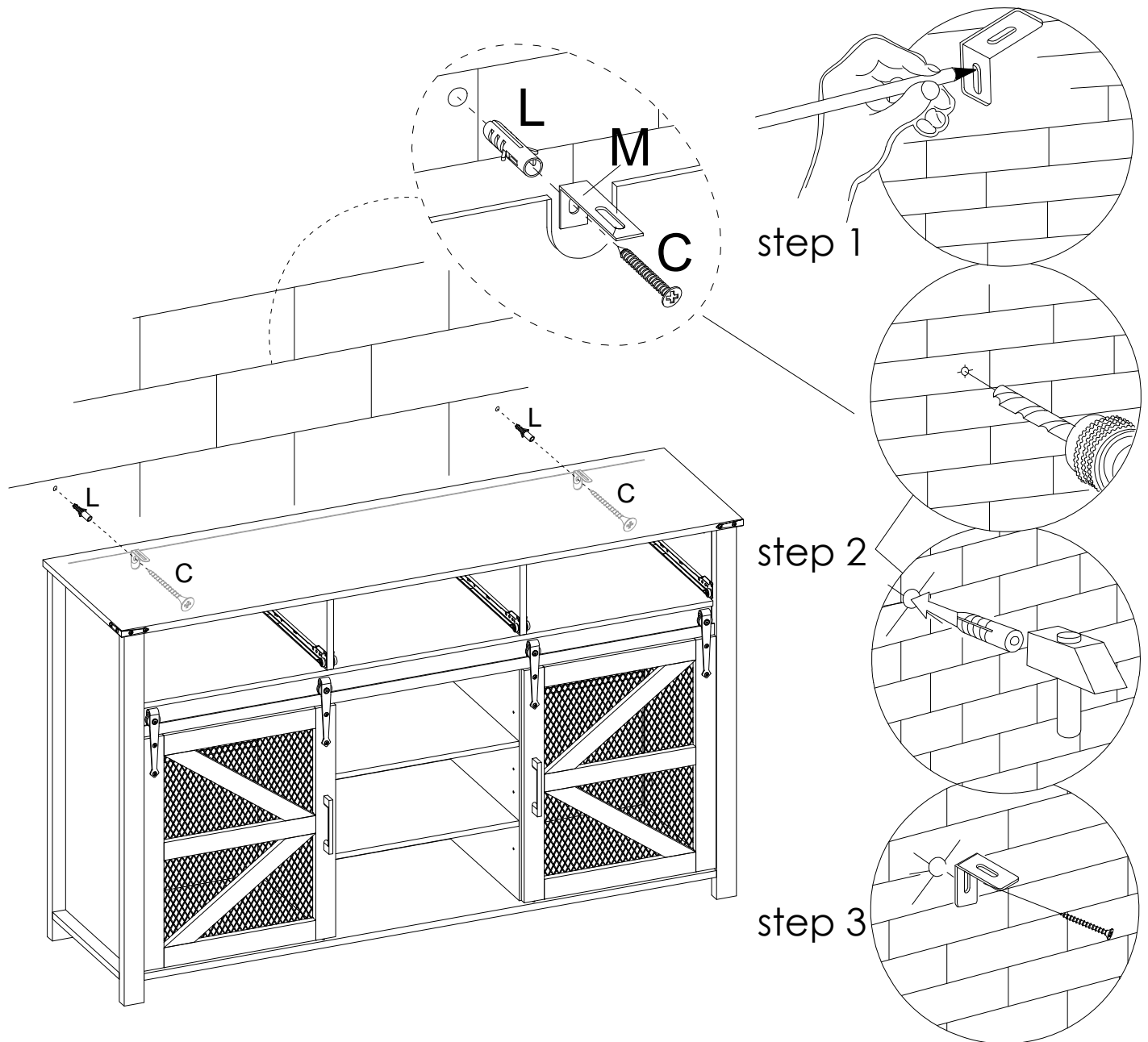
		
3x12mm	DLx3	DRx3
Ex18		

STEP 28

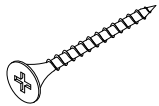
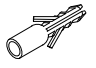
Step 1. Mark the position on the wall.

Step 2. Drill and insert the expandable screw L by hammer.

Step 3. Use screw C to attach it and tighten by screwdriver.



If it is a solid wall, please use expansion and self-tapping screws to secure the cabinet to the wall, if it is a wooden wall, only use self-tapping screws. Please don't overtighten screws.

	
4x40mm	6x30mm
Cx2	Lx2

STEP 29

