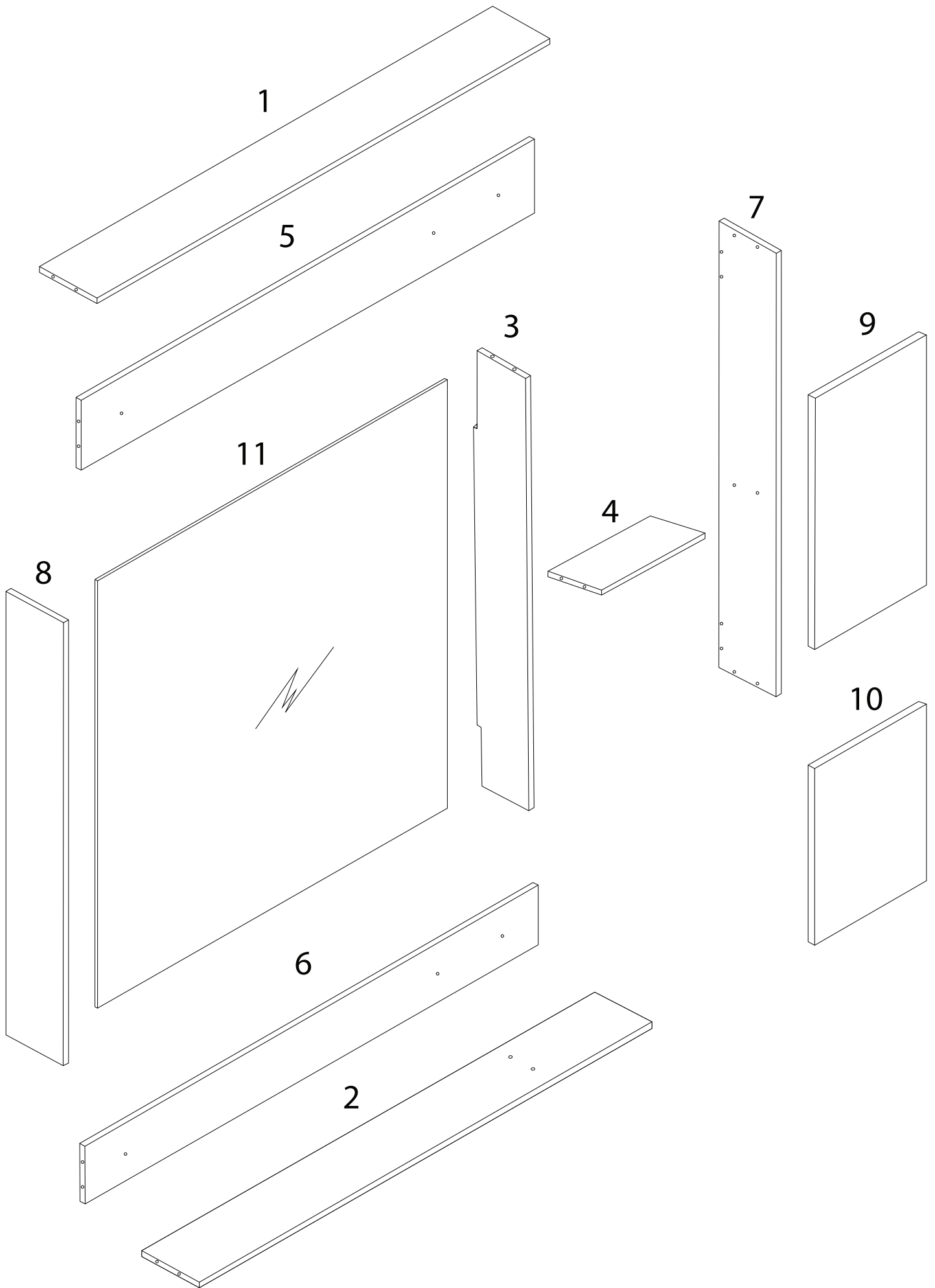
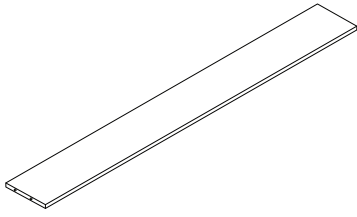


Diagram illustrating assembly steps and safety warnings:

- Step 1:** Shows a screwdriver and a power drill. A warning triangle with an exclamation mark is positioned to the right. A clock icon below indicates a time requirement of **90'**.
- Step 2:** Shows a rectangular block being placed on a surface and another block being inserted into a slot. A warning triangle with an exclamation mark is positioned to the right. A person icon below indicates that **1** person is required for this step.

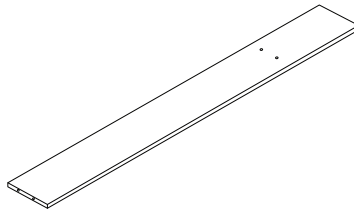


1



x 1

2



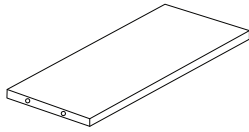
x 1

3



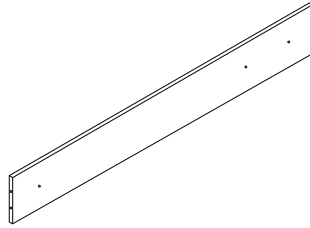
x 1

4



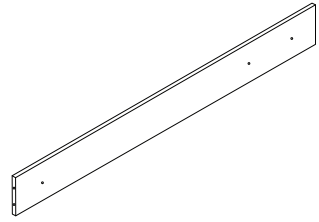
x 1

5



x 1

6



x 1

7



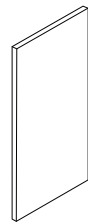
x 1

8



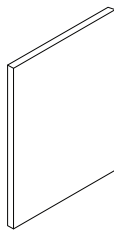
x 1

9



x 1

10



x 1

11



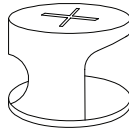
x 1

A



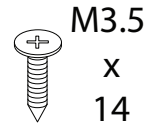
x 24

B



x 24

C



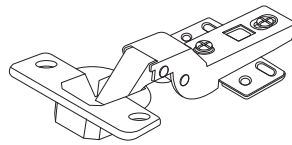
x 16

D



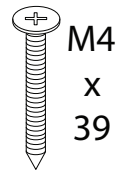
x 2

E



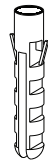
x 4

F



x 4

G



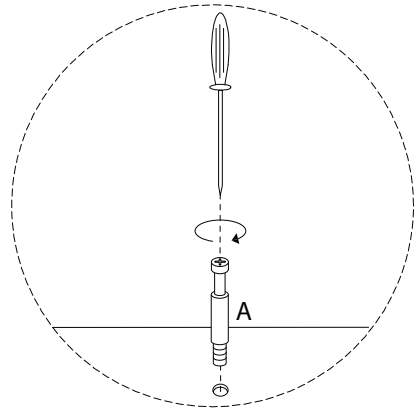
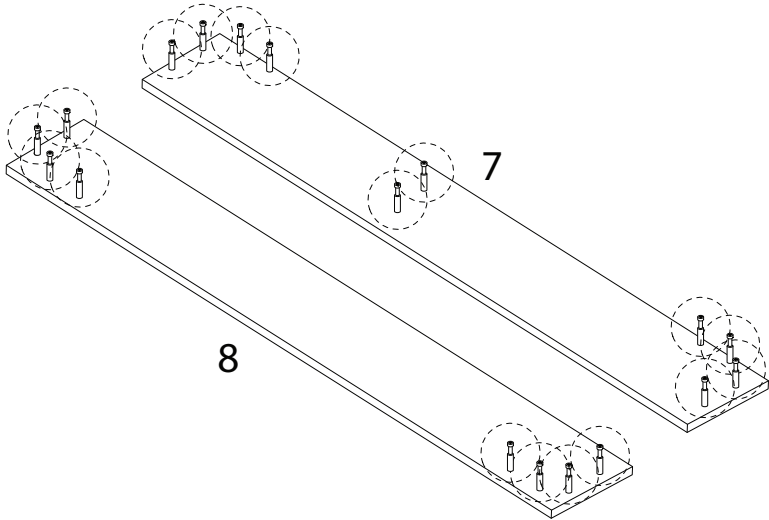
x 4

1

7  
x1

8  
x1

A  
x18

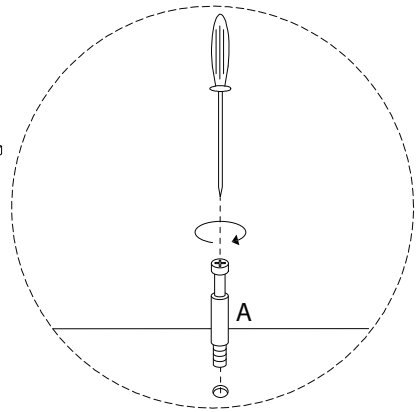
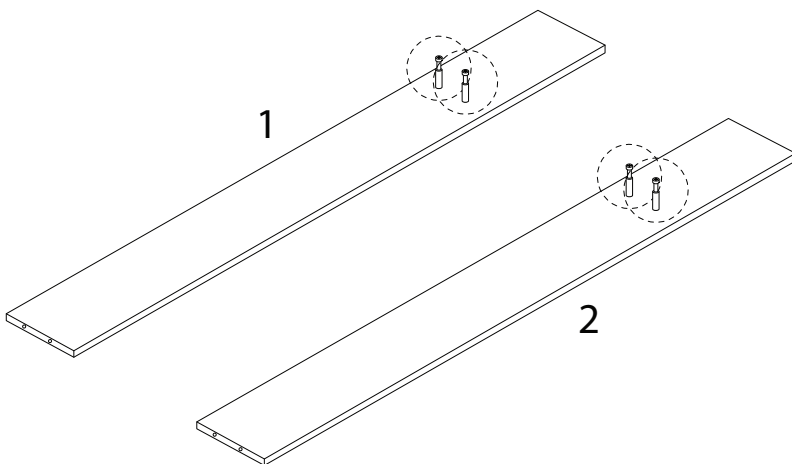


2

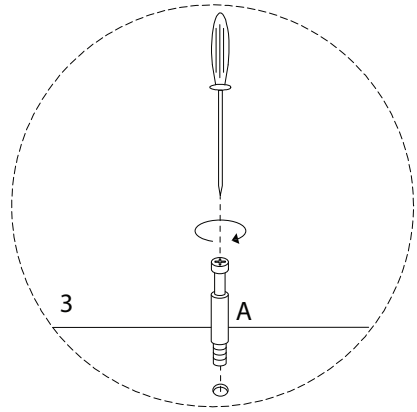
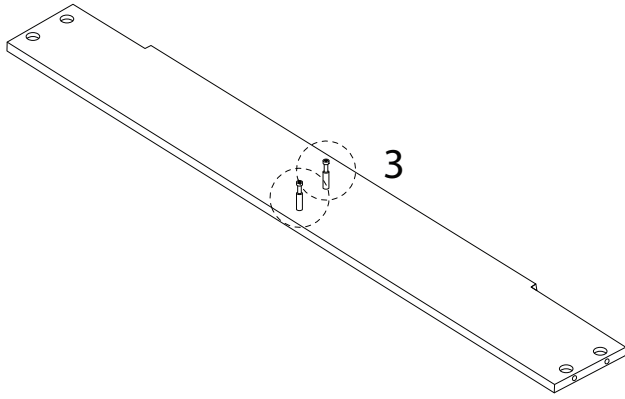
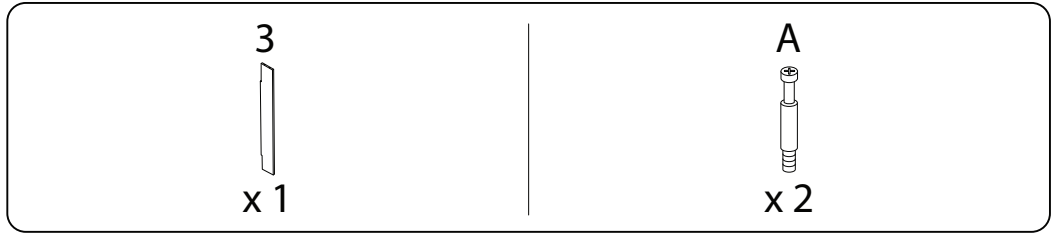
1  
x1

2  
x1

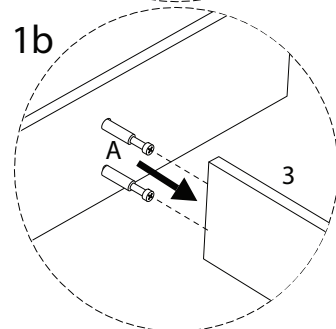
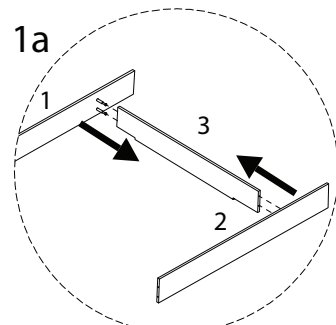
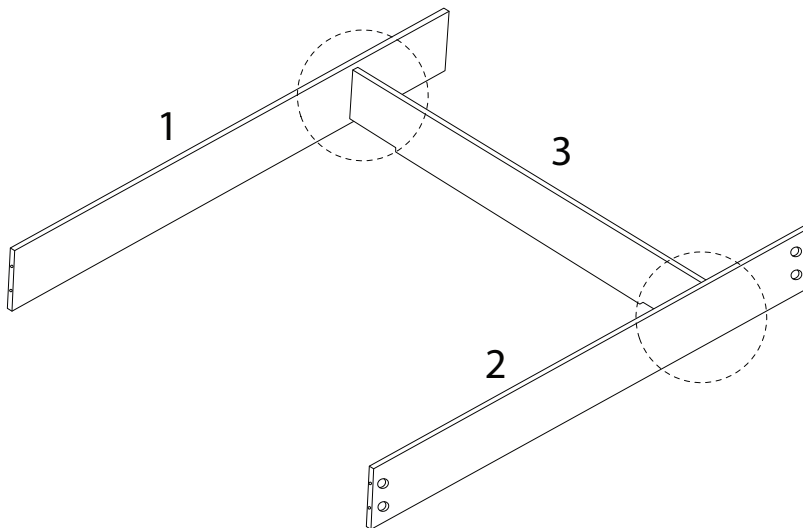
A  
x4



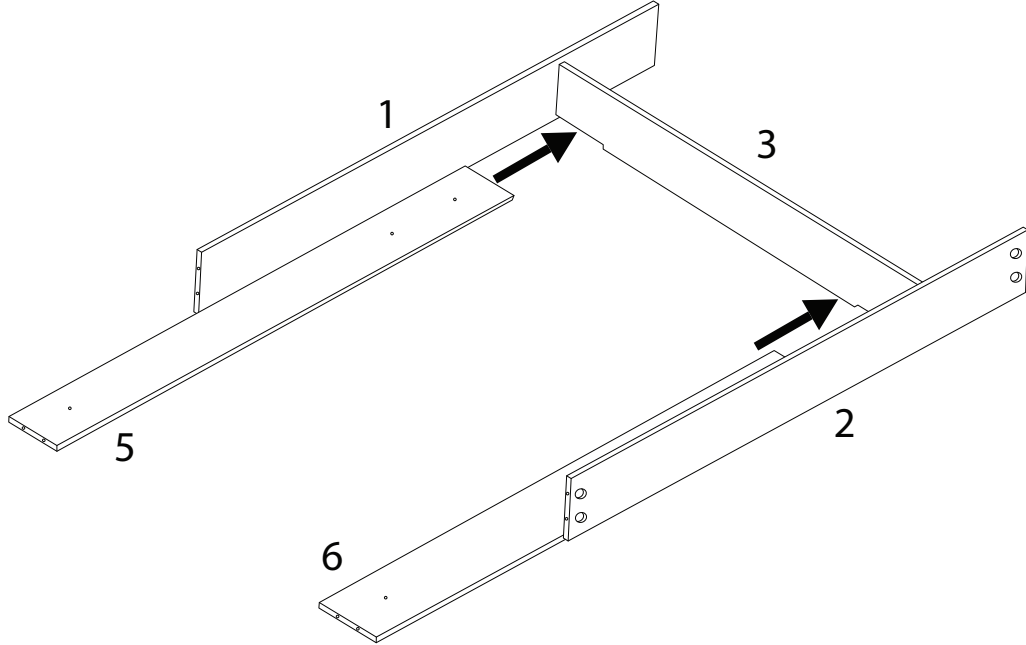
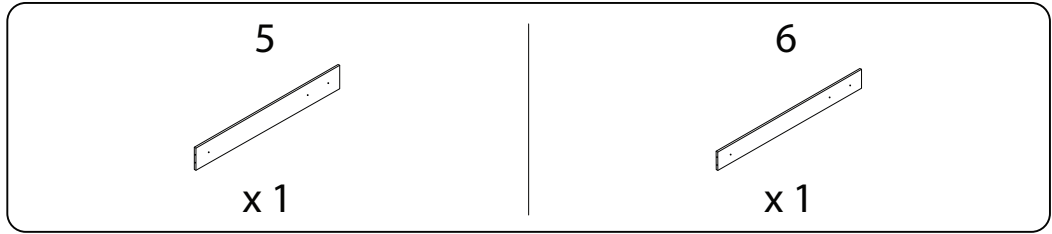
3



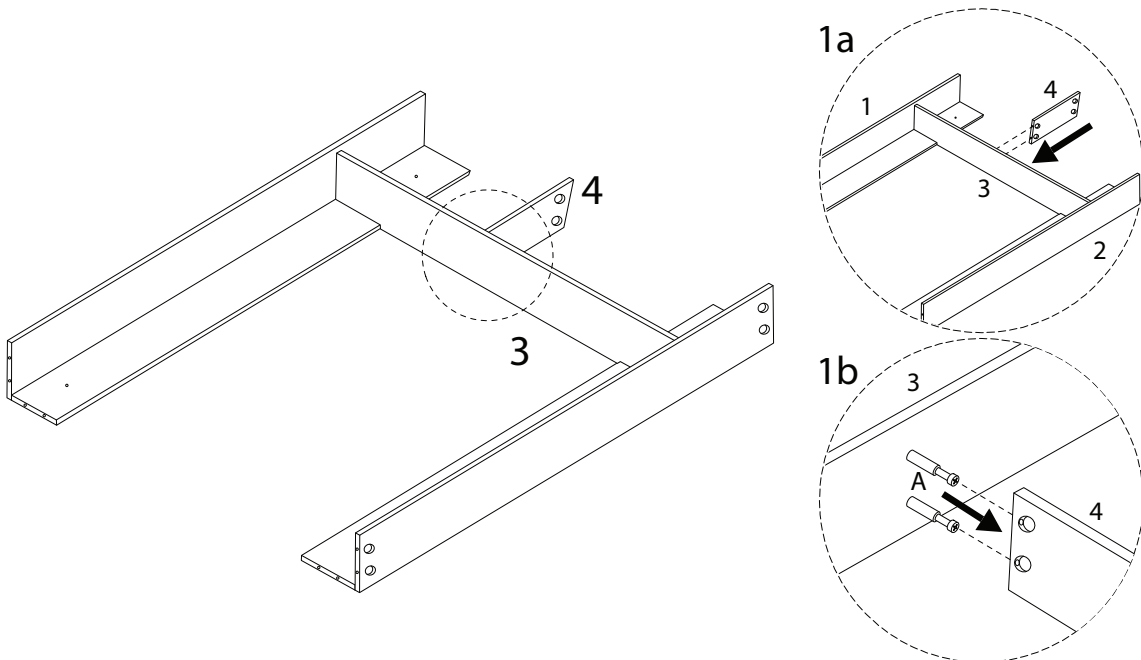
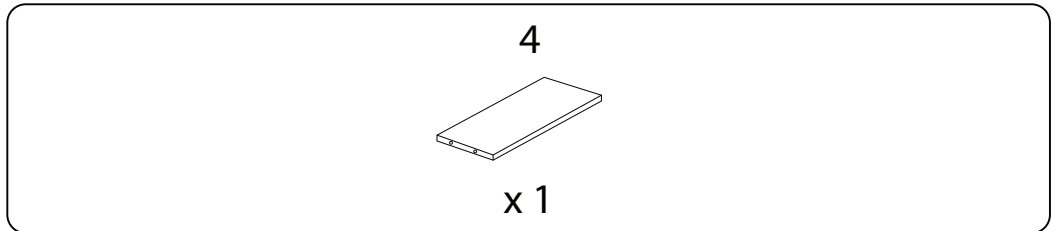
4



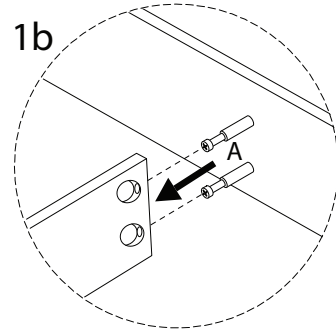
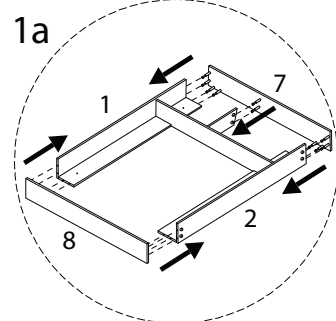
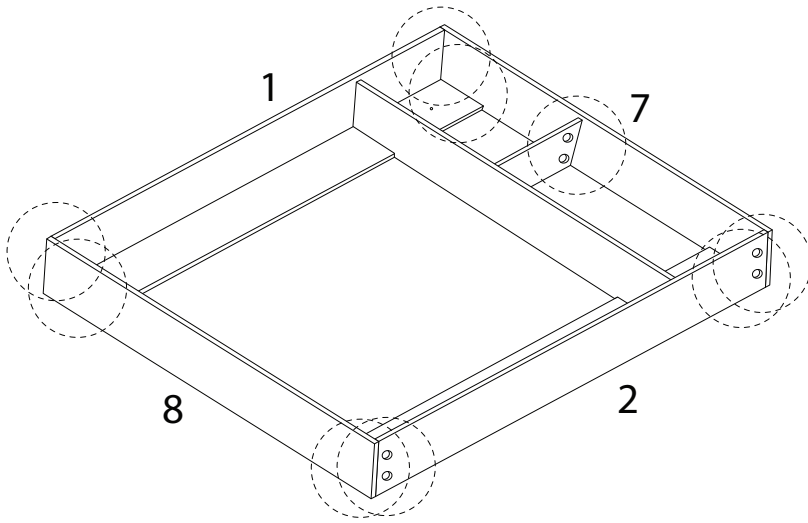
5



6



7

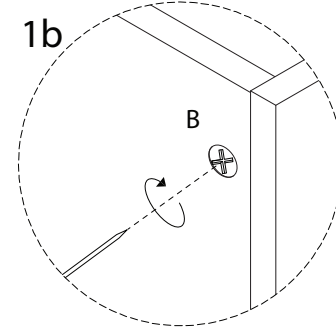
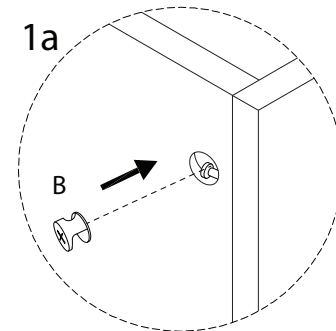
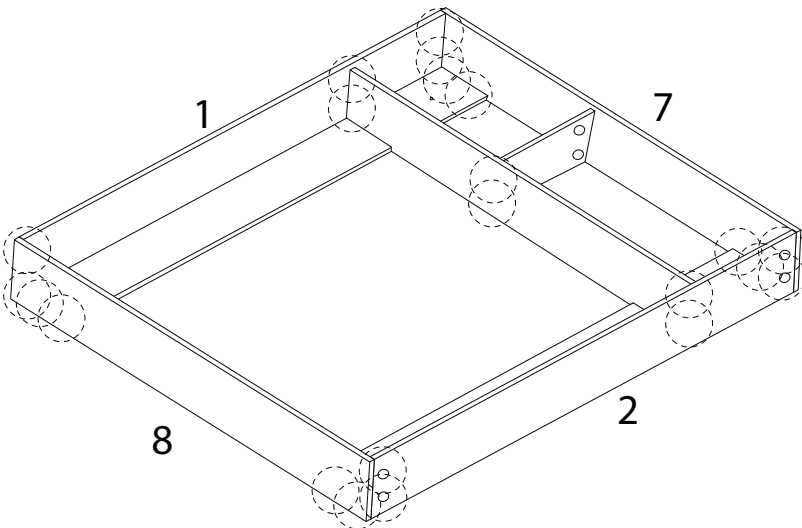


8

B

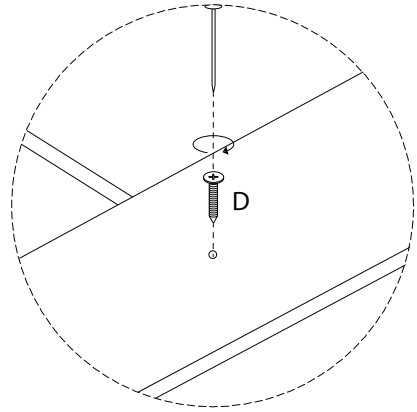
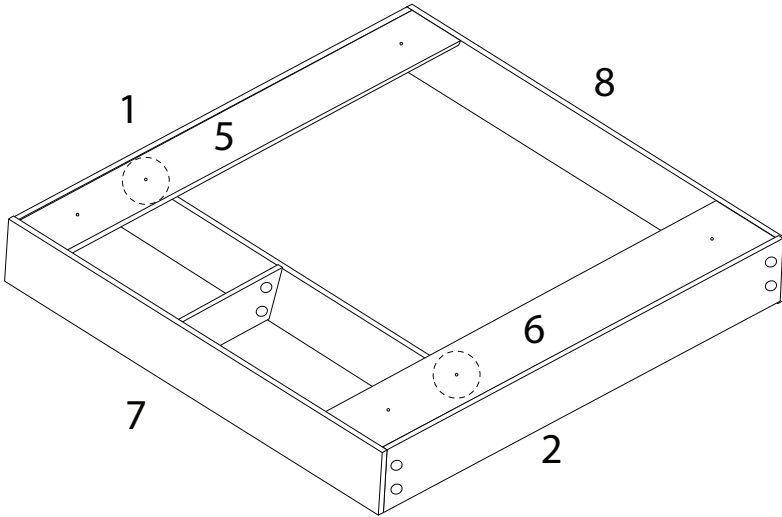


x 24



9

D  
M4  
x  
24  
x 2



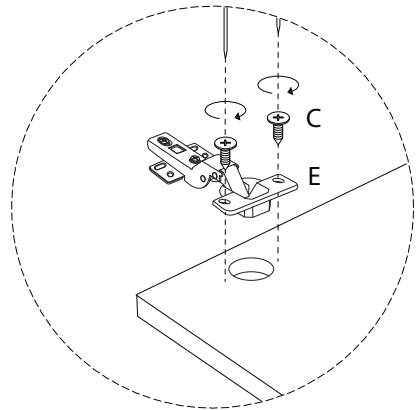
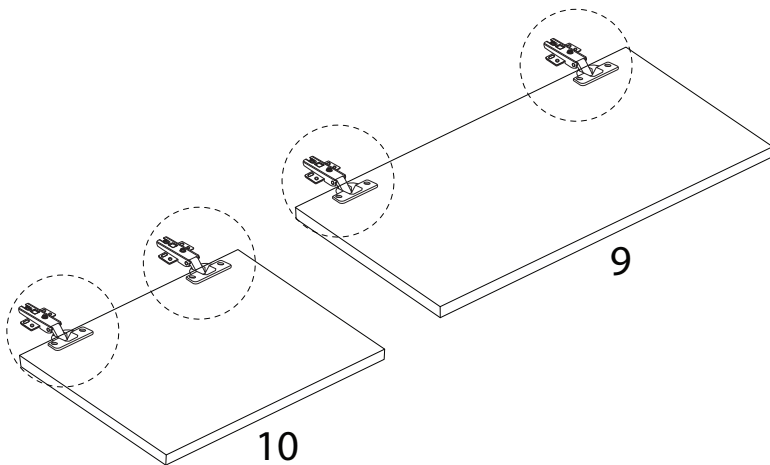
10

9  
x 1

10  
x 1

C  
M3.5  
x  
14  
x 8

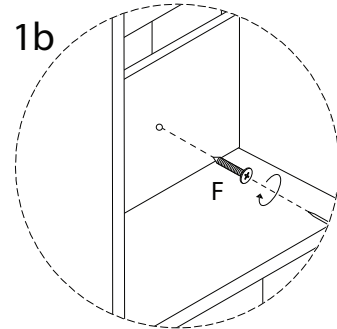
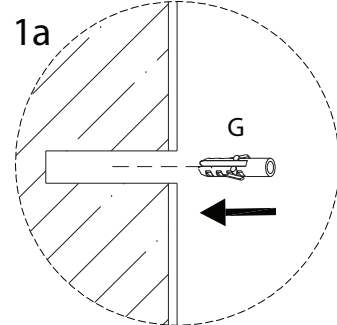
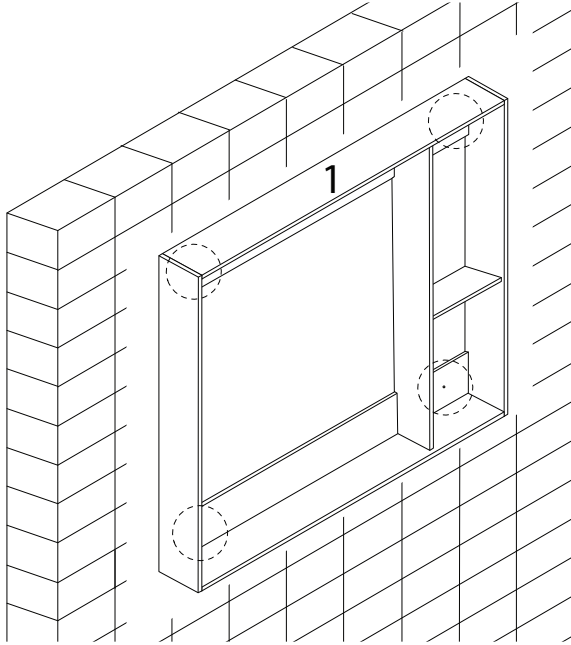
E  
x 4



11

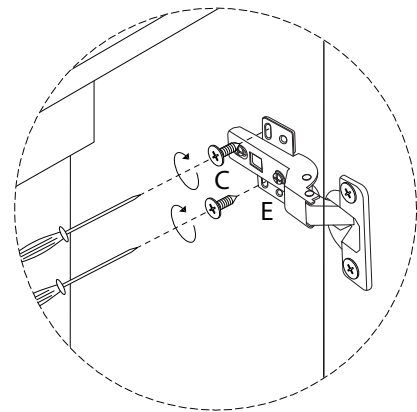
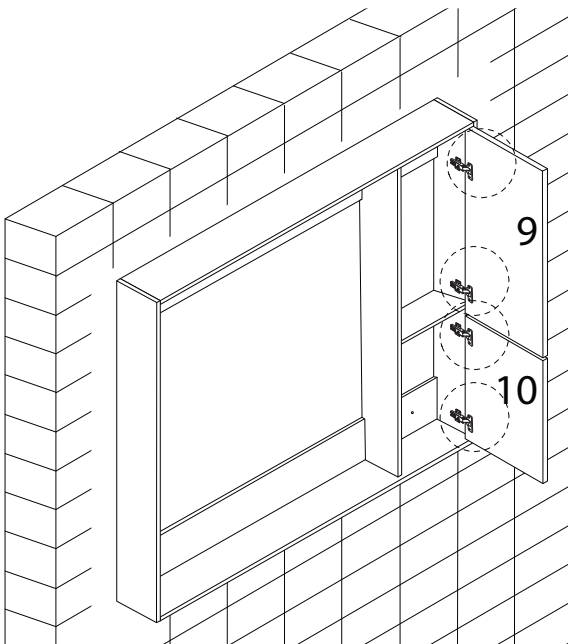
F  
M4  
x  
39  
x 4

G  
x 4



12

C  
M3.5  
x  
14  
x 8

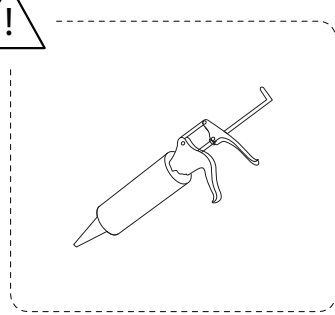
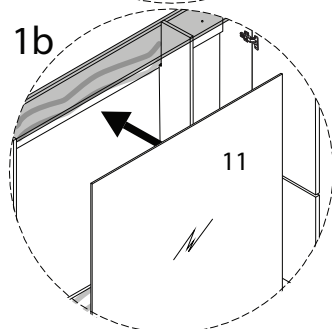
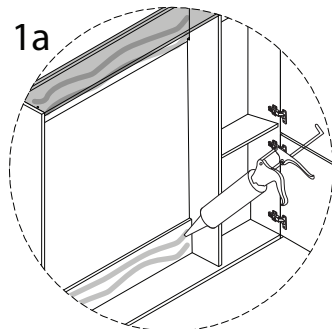
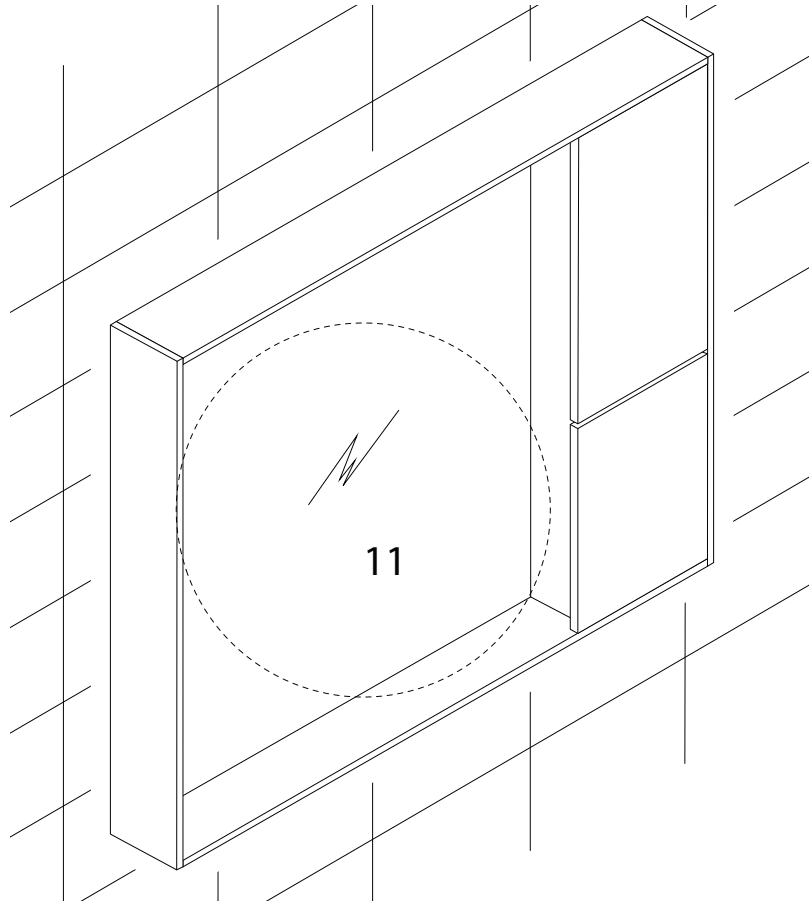


13

11



x1



14

