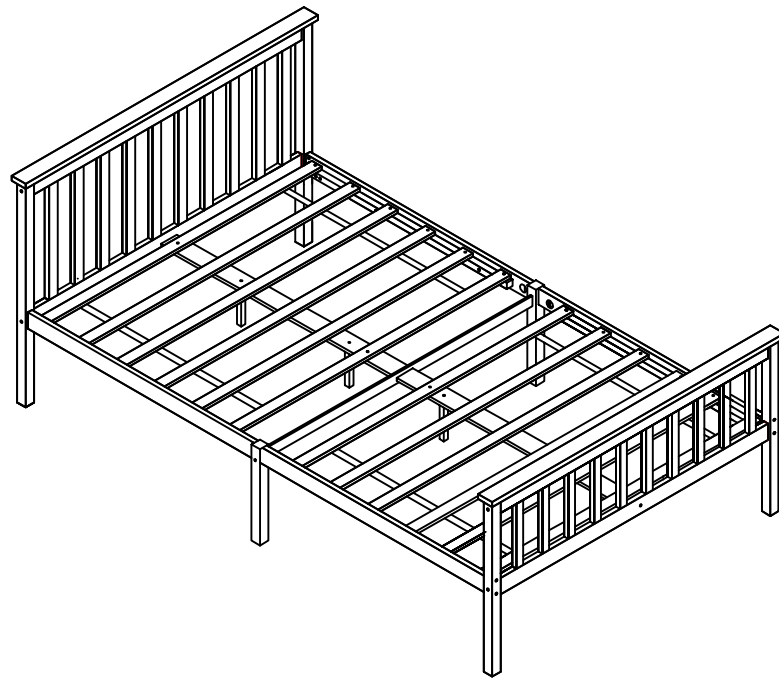
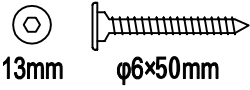


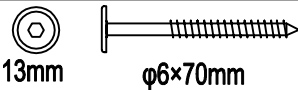



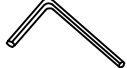





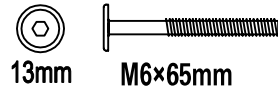



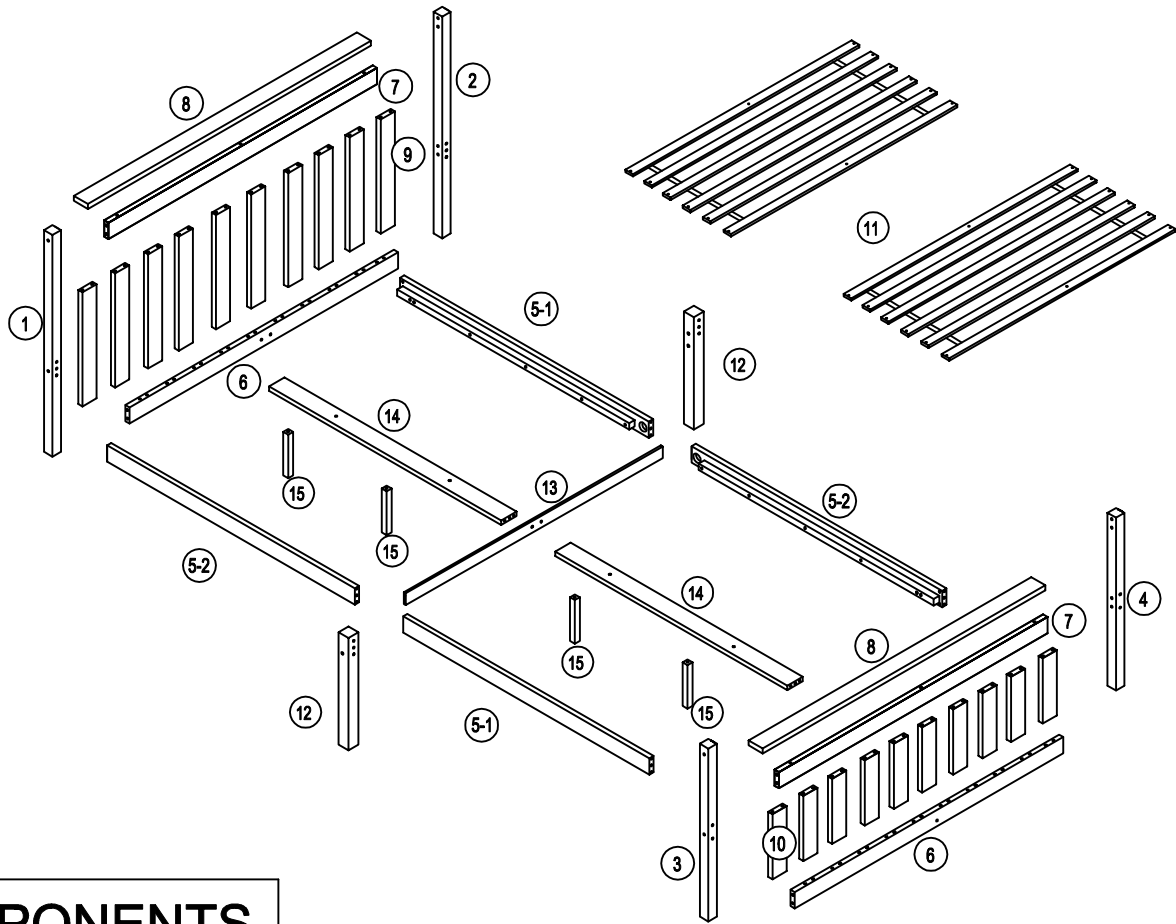
ASSEMBLY INSTRUCTIONS



HARDWARE

A	 13mm $\phi 6 \times 50\text{mm}$	4
B		8
C	 $\phi 8 \times 30\text{mm}$	24
D	 13mm $\phi 6 \times 70\text{mm}$	12
E	 13mm $M6 \times 65\text{mm}$	8
F	 $\phi 8 \times 60\text{mm}$	2
G	 8mm $\phi 4 \times 25\text{mm}$	28
H		1

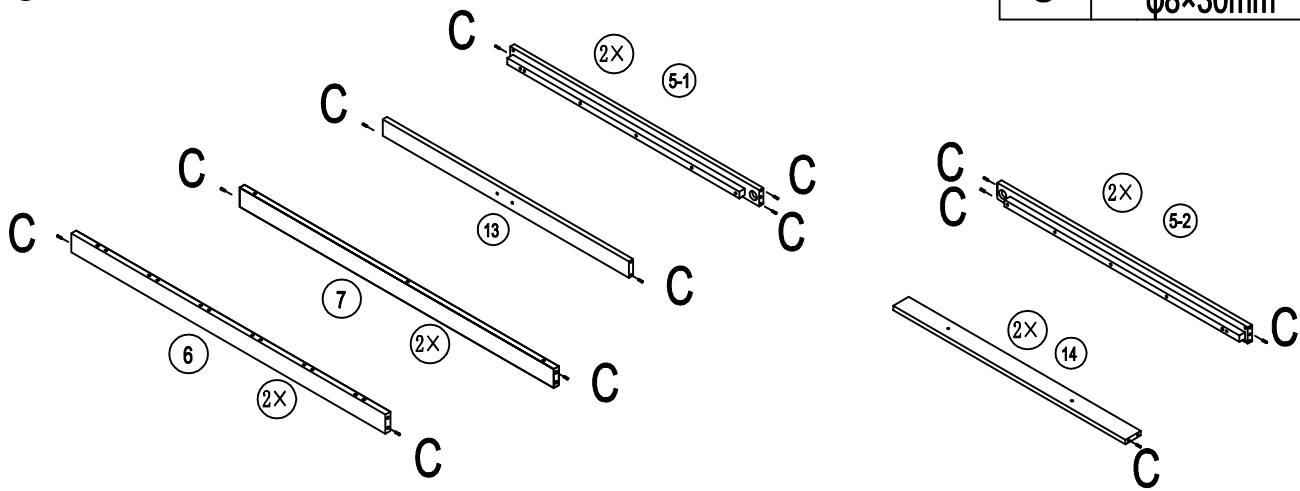
I	 Screw driver(not provided)	1
J	 $M6 \times 120\text{mm}$	2
K	 NUT M6	4
L		4
M	 Spanner	2
N	 13mm $M6 \times 65\text{mm}$	6
O	 $\phi 8 \times 30\text{mm}$	80




COMPONENTS

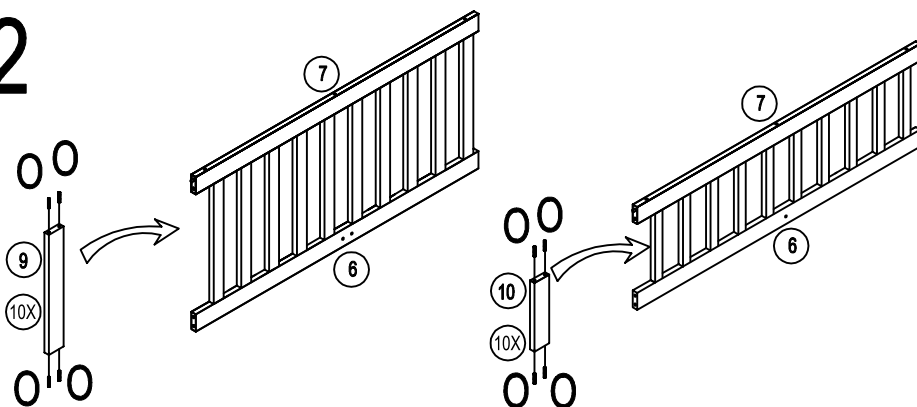
01

C	 φ8×30mm	24
---	--	----




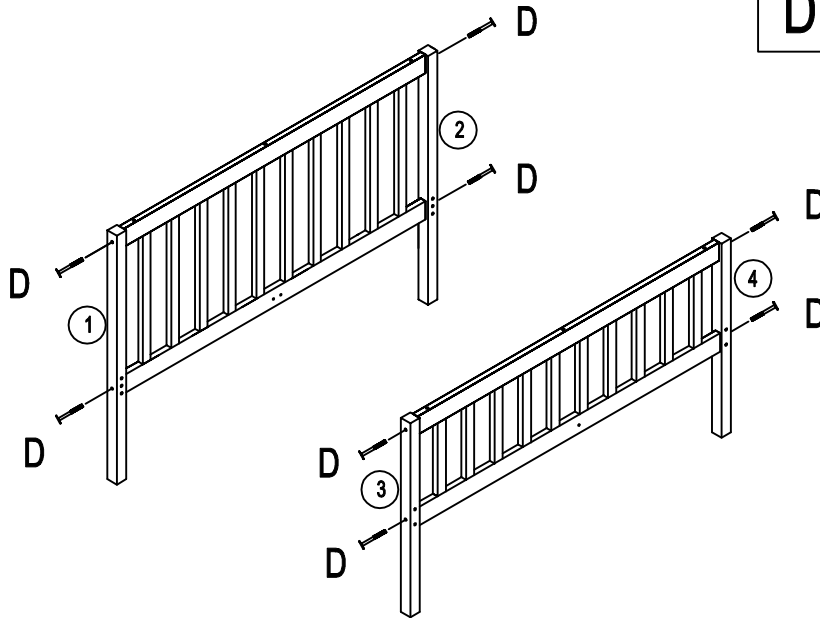
02

O	 φ6×30mm	80
---	--	----

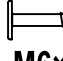


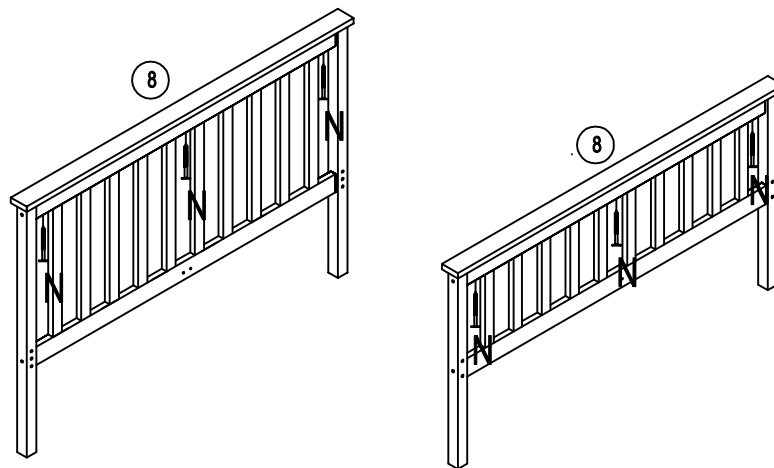
03

D		13mm $\phi 6 \times 70\text{mm}$	8
---	--	----------------------------------	---





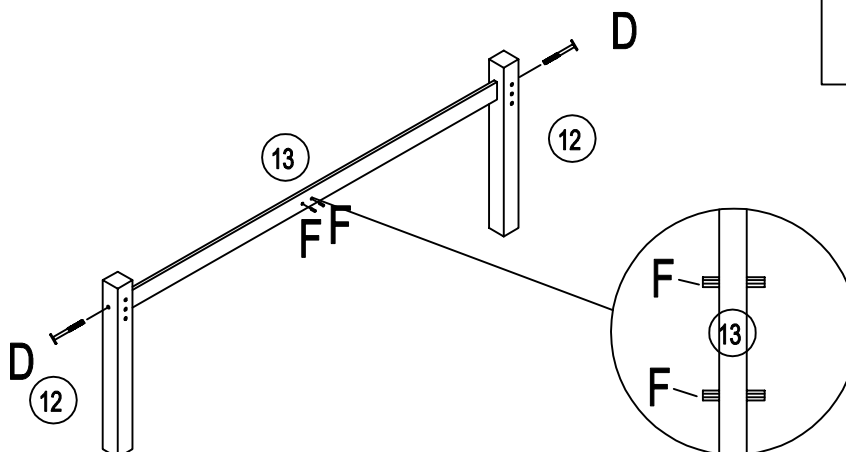
04

N		13mm M6x65mm	6
---	---	--------------	---




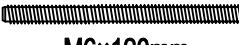





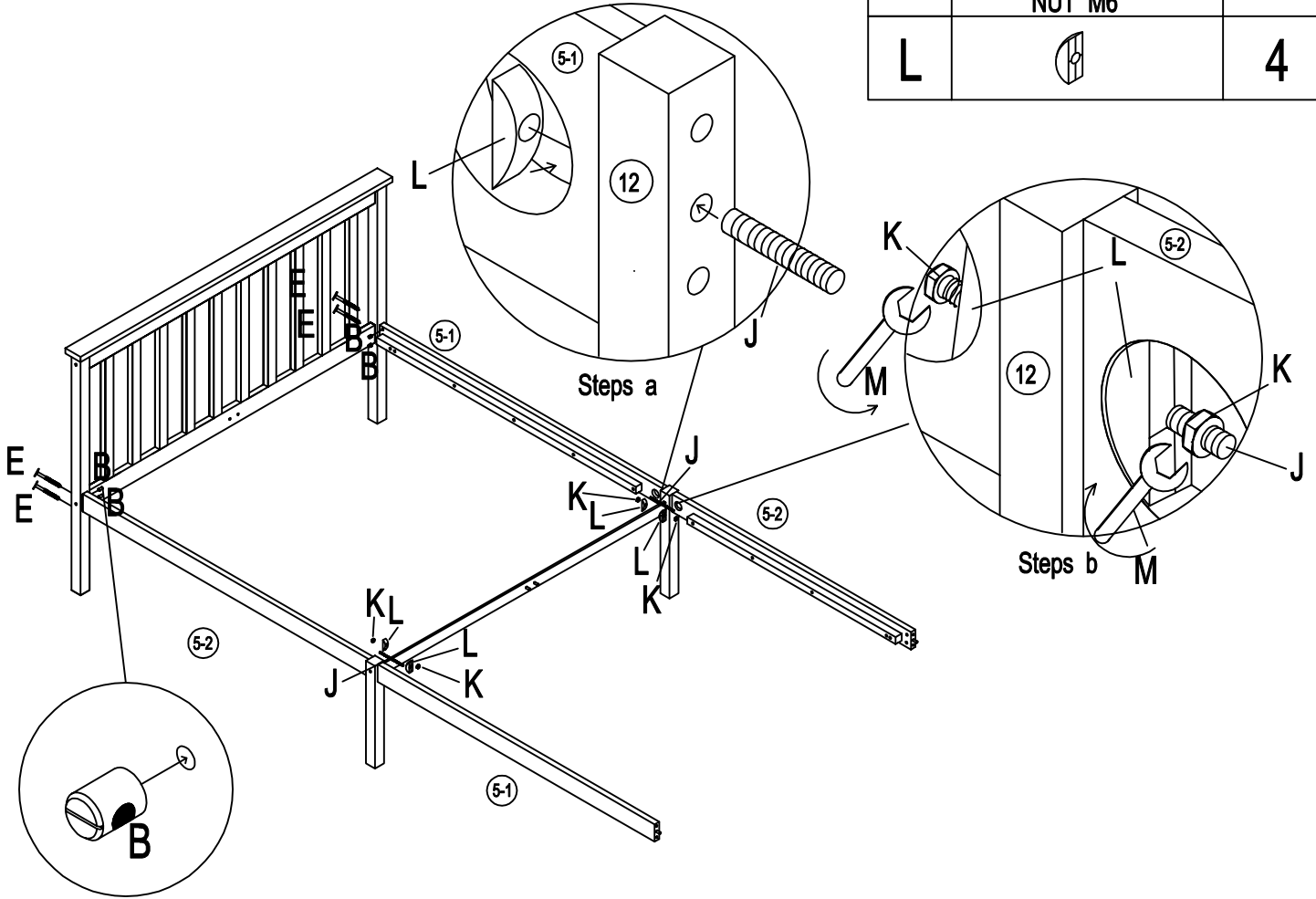
05

D		13mm $\phi 6 \times 70\text{mm}$	2
F		$\phi 8 \times 60\text{mm}$	2




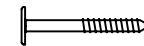


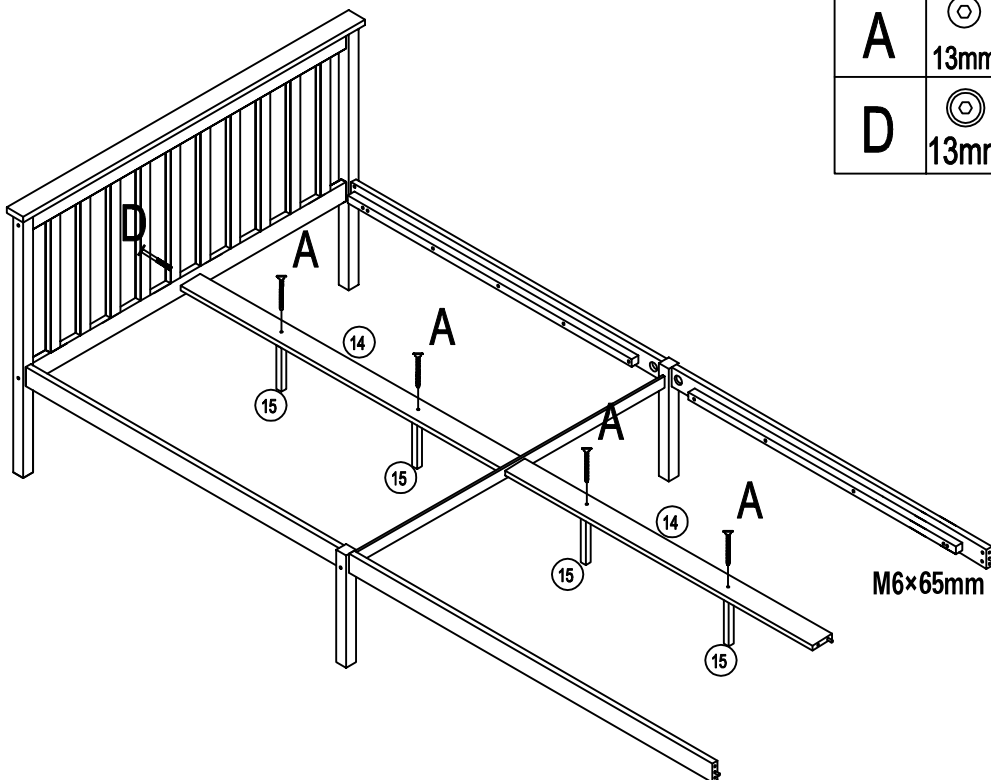
06

M	 Spanner	2	E	  13mm M6×65mm	4
J	 M6×120mm	2	B		4
			K	 NUT M6	4
			L		4


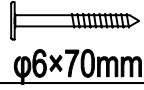

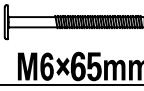



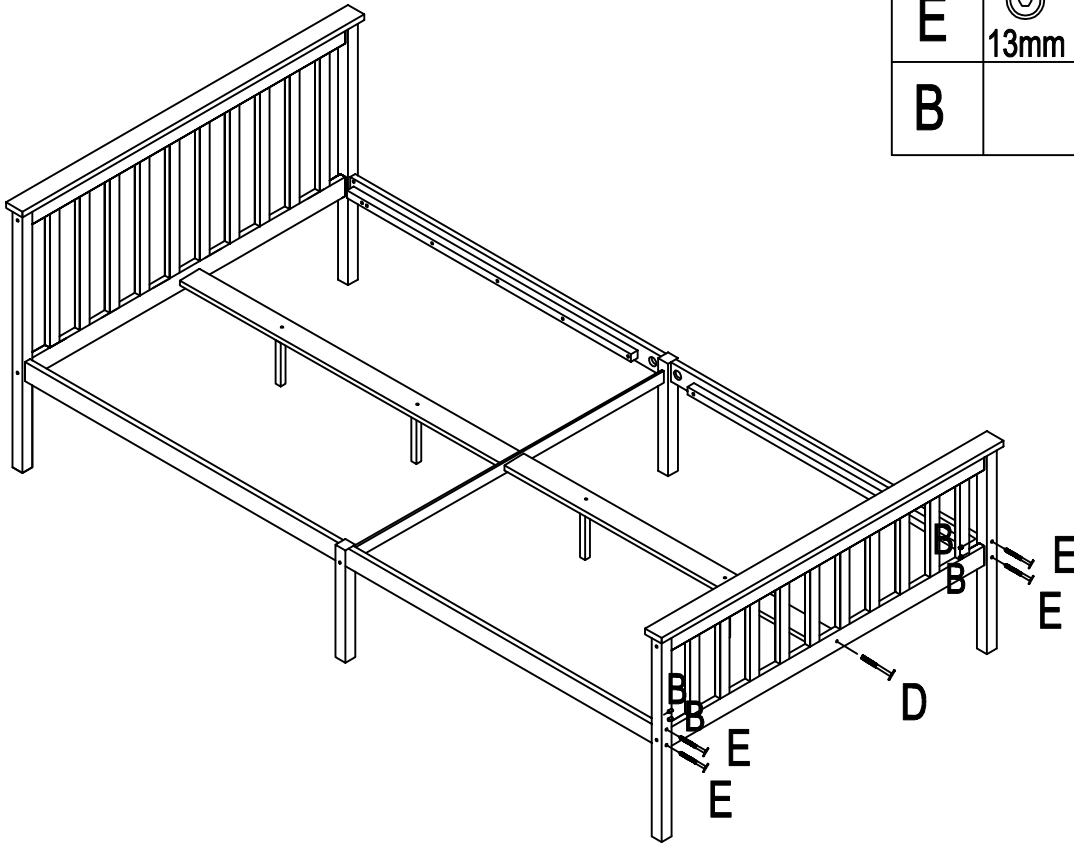
07

A	  13mm φ6×50mm	4
D	  13mm φ6×70mm	1





08

D	 13mm	 φ6×70mm	1
E	 13mm	 M6×65mm	4
B			4



09

G	 8mm	 φ4×25mm	28
---	---	---	----

