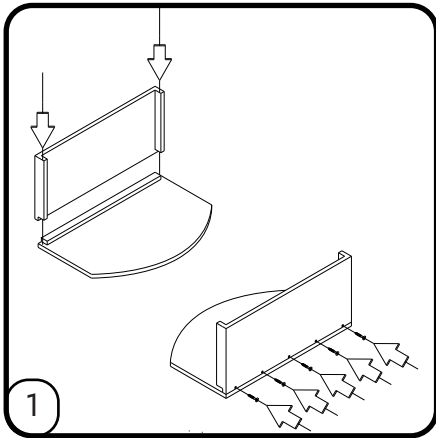
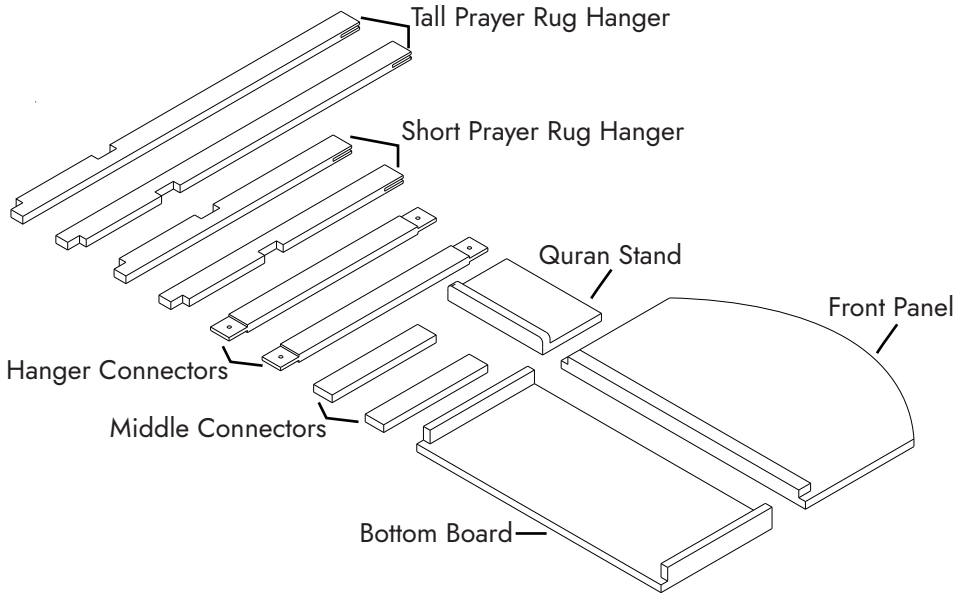
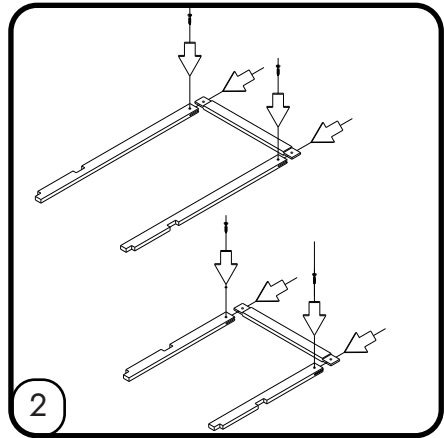


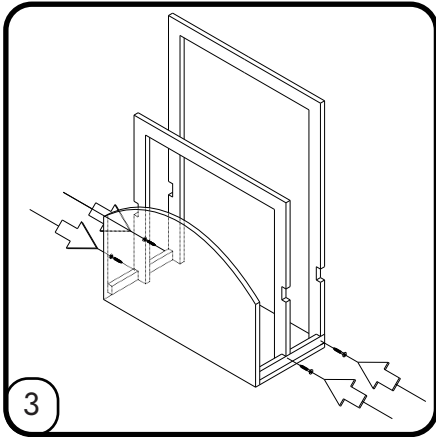
# PRAYER RUG HOLDER INSTALLATION



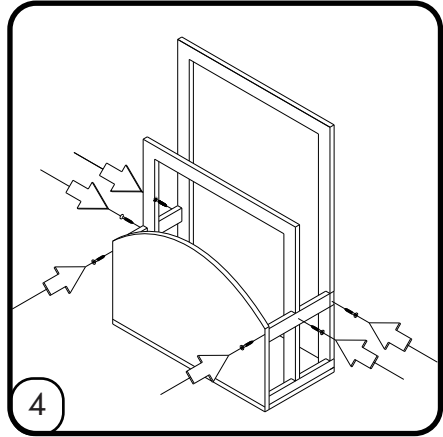
Position the bottom board to align with the front panel. Ensure that the screw holes are matched up with the marked spots on the bottom board. Fasten the screws into place to secure the bottom board to the front panel.



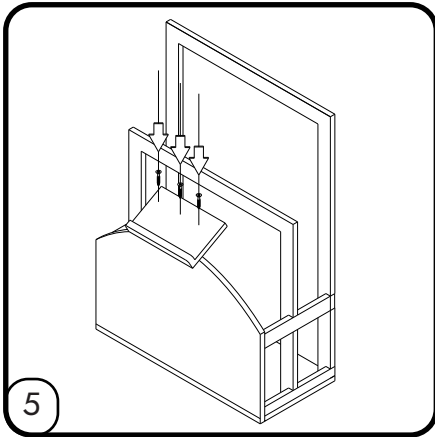
Assemble the prayer rug hangers by aligning their screw holes with the corresponding markings. Attach each hanger by driving the screws through the designated holes, securing the hangers firmly in place.



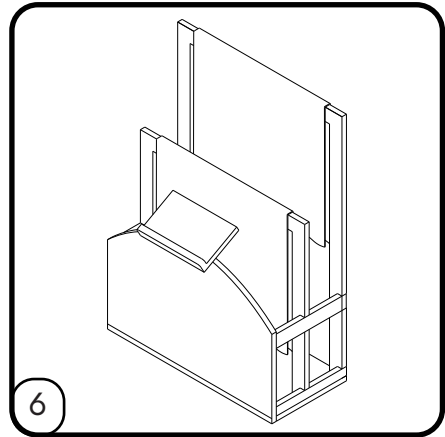
Position the prayer rug hangers so that they are in line with the bottom panel. Affix the hangers by inserting screws through the hangers and into the pre-drilled holes on the lower connector. Ensure each hanger is securely fastened to the bottom panel.



Finally, insert the middle connectors into place. Secure them by screwing from the front into the front panel first then from the sides into the hangers. Make sure each connector is tightly fastened to provide stability to the structure.



Finally, position the Quran holder on top of the front panel, ensuring it is perfectly aligned. Fasten it by screwing down from the top into the pre-marked holes to securely attach the Quran holder to the front panel.



Your Prayer Rug Holder is now ready for use. Enjoy your new space of tranquility.

