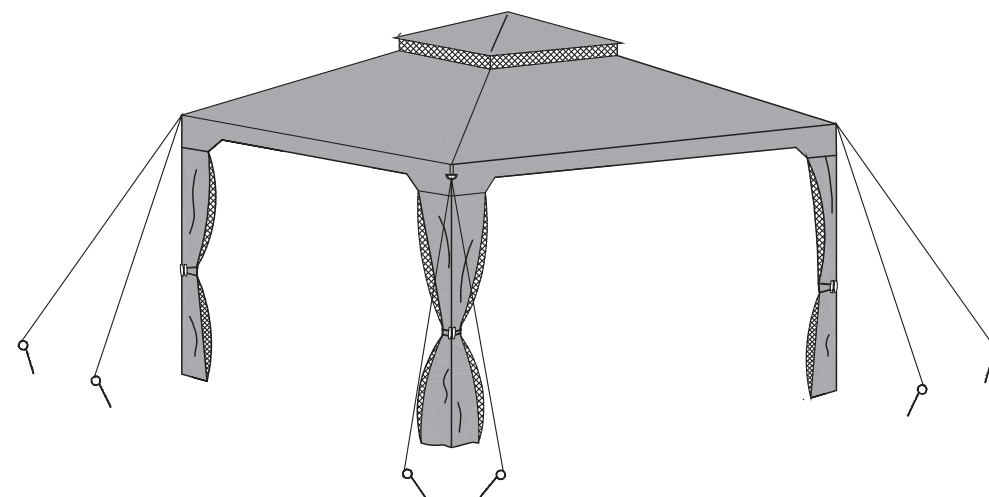


COSTWAY®



USER'S MANUAL

Tent
OP3907/ OP3867

THIS INSTRUCTION BOOKLET CONTAINS **IMPORTANT** SAFETY INFORMATION. PLEASE READ AND KEEP FOR FUTURE REFERENCE.

Please give us a chance to make it right and do better!

Contact our friendly customer service department for help first.

Replacements for missing or damaged parts will be shipped ASAP!

Follow Costway

Visit us: www.costway.com



EN | **DE** | **FR** | **ES**

Contact Us!

Do NOT return this item.

Contact our friendly customer service department for help first.



Before You Start

- ⦿ Please read all instructions carefully.
- ⦿ Retain instructions for future reference.
- ⦿ Separate and count all parts and hardware.
- ⦿ Read through each step carefully and follow the proper order.
- ⦿ We recommend that, where possible, all items are assembled near to the area in which they will be placed in use, to avoid moving the product unnecessarily once assembled.
- ⦿ Always place the product on a flat, steady and stable surface.
- ⦿ Keep all small parts and packaging materials for this product away from babies and children as they potentially pose a serious choking hazard.



Warning! To reduce the risk of serious injury, read the following safety instructions before assembling and using the gazebo.

Caution! Always keep children under close supervision while they are using or around this product. Never leave children unattended.

- Assembly Instructions must be followed.
- Pegs supplied must be used to hold this gazebo in place when upright.
- Do not use candles, matches or open flames of any kind in or near a tent.
- Do not cook inside the tent.
- Build campfires downwind and several meters away from a tent and be sure to fully extinguish campfires before leaving a campsite or before retiring for the night.
- Exercise extreme caution when using fuel-powered lanterns or heaters inside a tent and use battery-operated lanterns whenever possible.
- Do not refuel lamps, heaters or stoves inside a tent.
- Extinguish or turn off all lanterns before going to sleep.
- Do not smoke in a tent.
- Do not store flammable liquids inside a tent.
- **KEEP ALL FLAME AND HEAT SOURCES AWAY FROM THIS TENT FABRIC.**
This tent is made of flame-resistant fabric. It is not fireproof. The fabric will burn if left in continuous contact with a flame source.

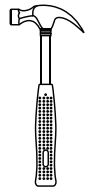
USE & CARE:

- This gazebo is not a permanent structure and should be disassembled & stored away after use.
- Do not repack your gazebo until completely dry.
- In order to reduce the risk of personal injury and damage to equipment, basic safety precautions should always be followed when assembling and using this product. Read all instructions carefully before assembly and use.
- Some parts may contain sharp edges. Wear protective gloves if necessary. In order to ensure safe assembly, it is recommended that this product be assembled by at least two people.
- Keep children and pets away from the assembly area.
- Begin assembly at least 6' (1.8 m) away from any obstruction, such as a fence, garage, house, overhanging branches, laundry line, or electrical wires.
- Install gazebo on level ground. Anchor the gazebo to the ground with stakes for added safety. Stakes are provided to secure the gazebo to the ground. If you wish to secure the gazebo to concrete and wood surfaces, use anchors suited for these surfaces (anchors not included). Gazebo is intended for decorative and sunshade purposes only, and is not designed to withstand harsh weather, including high winds, rain, and snow.
- Verify that all nuts and bolts are tightly secured before and during use.
- Remove canopy or take other precautions in high wind conditions.
- Anchor or stake a minimum of four (4) locations of the unit to the ground for added safety and security.

IMPORTANT: RETAIN FOR FUTURE REFERENCE AND READ CAREFULLY

Parts List

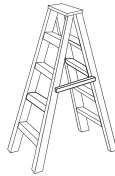
Needed for assembly: (The following tools not included)



Hammer



Screwdriver



Ladder



2 people

1

Upper Post - **4 pcs**

97.5cm



C

Top Connector - **1pc**



2

Lower Post - **4 pcs**

106cm



D

Small Canopy - **1pc**



3

Long Support - **8 pcs**

108cm



E

Big Canopy - **1pc**



4

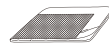
Short Support - **4 pcs**

89cm



F

Mosquito Netting - **1pc**



5

Top Short Beam - **4 pcs**

111cm



AA

Stake Dia.4 - **8 pcs**



6

Top Long Beam - **4 pcs**



BB

Rope - **8 Spare**



A

Base - **4 pcs**



CC

Stake Dia.6 - **8 pcs**



B

Beam Connector - **4 pcs**

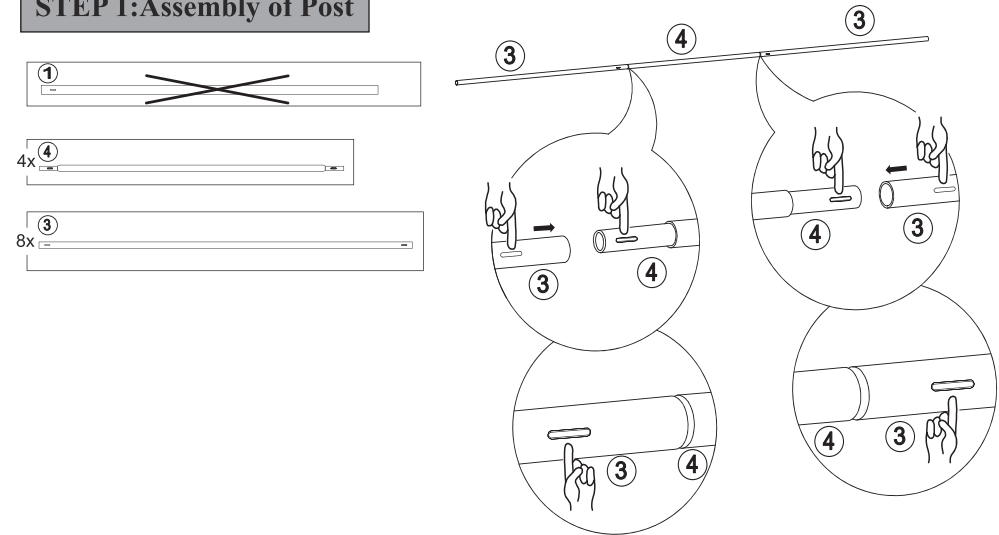


DD

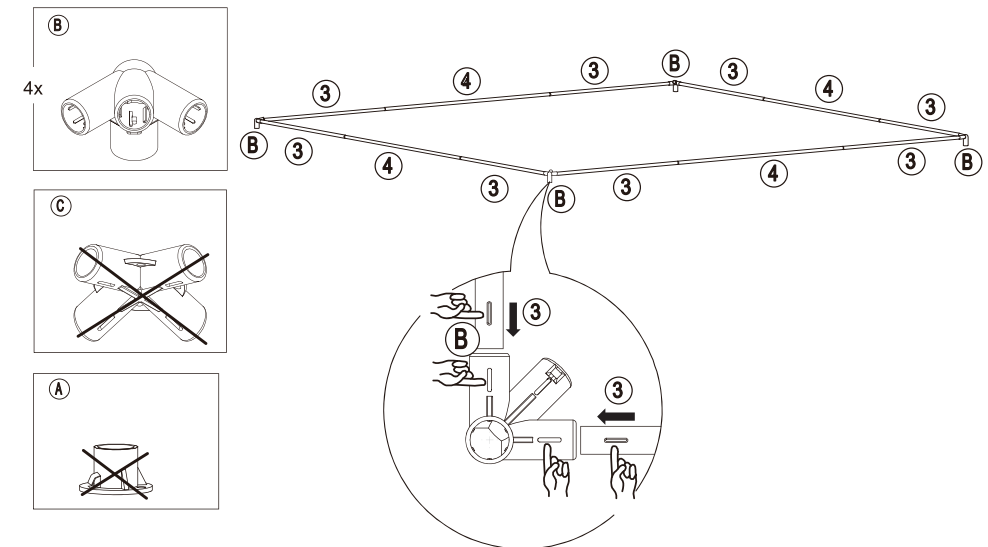
Ring - **40 + 5 Spare**



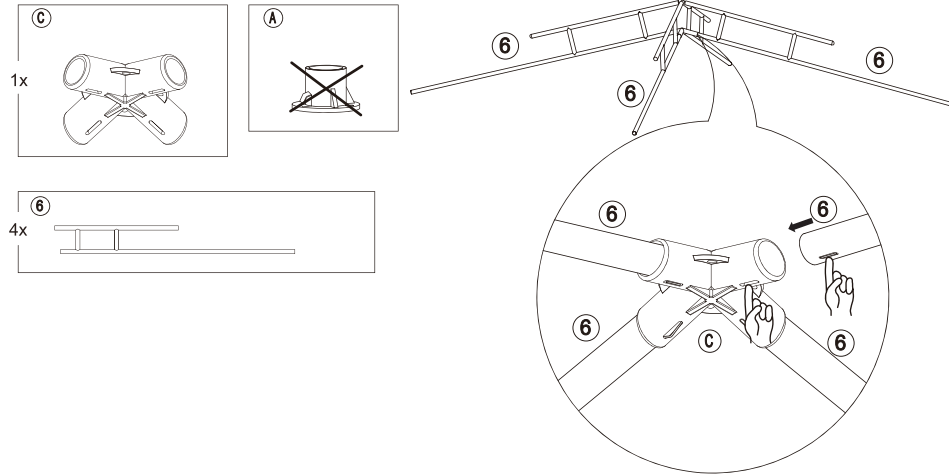
STEP 1: Assembly of Post



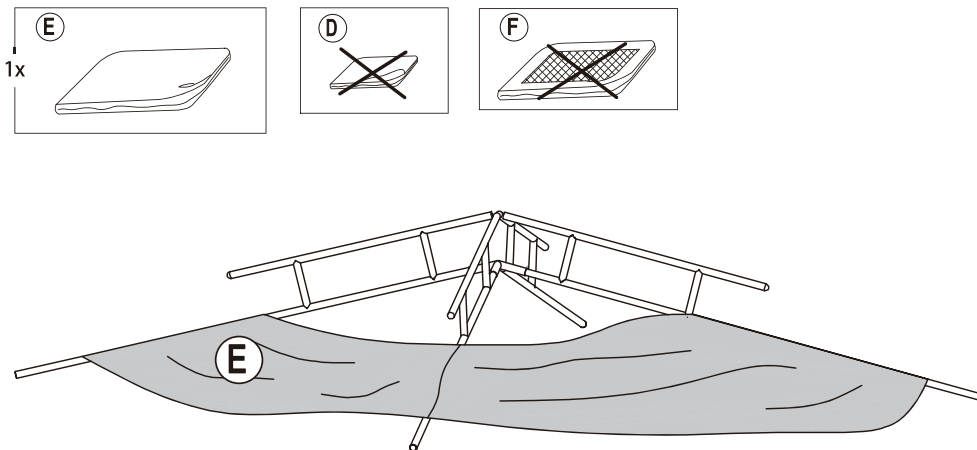
STEP 2: Assembly of Beam Connector



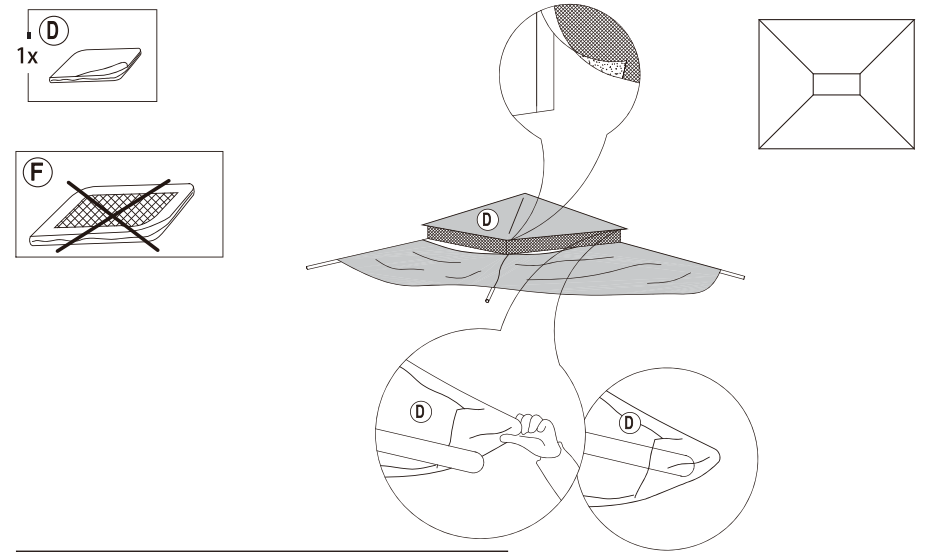
STEP 3: Assembly of Top Connector



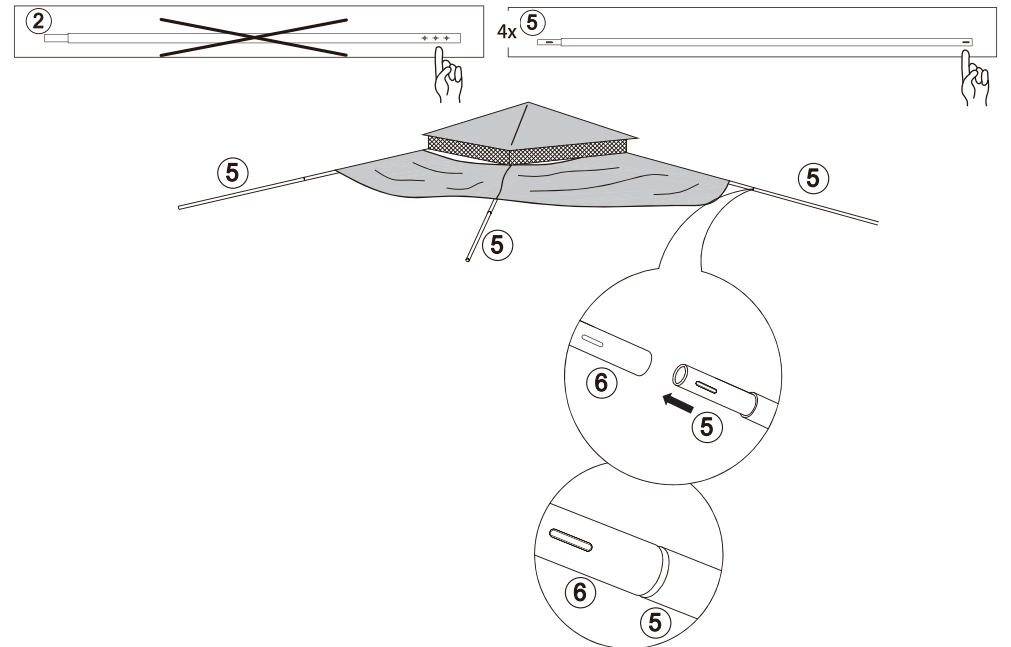
STEP 4: Assembly of Big Canopy



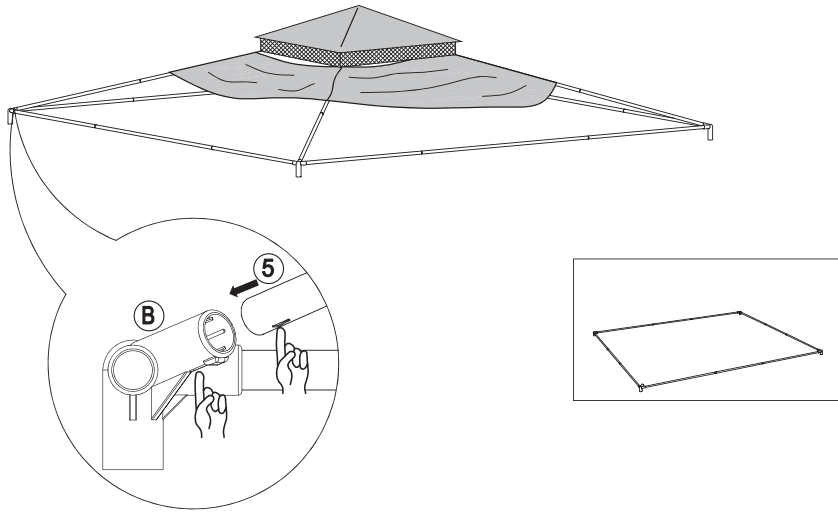
STEP 5: Assembly of Small Canopy



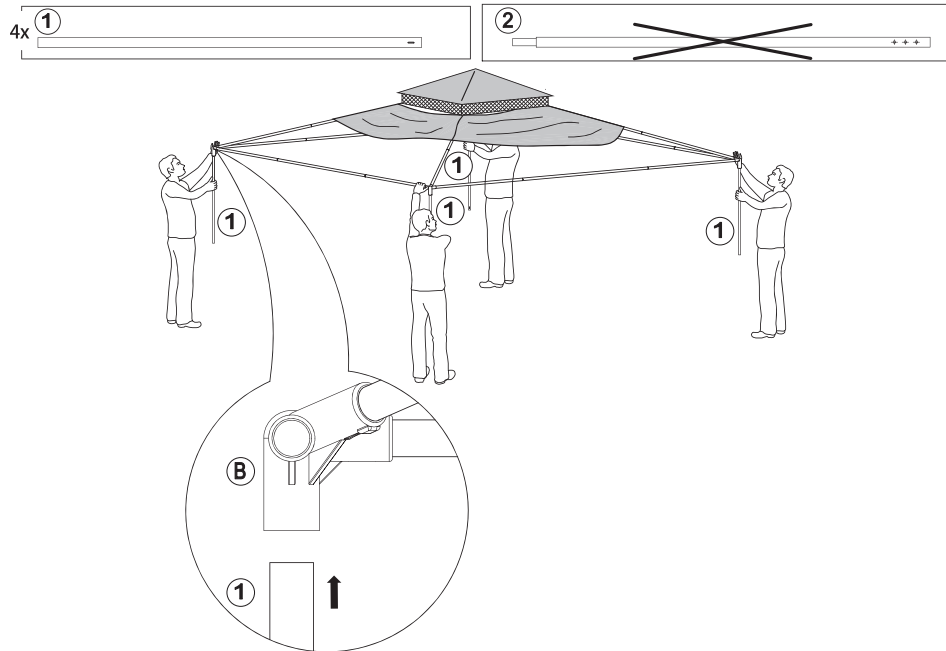
STEP 6: Assembly of Top Short Beam



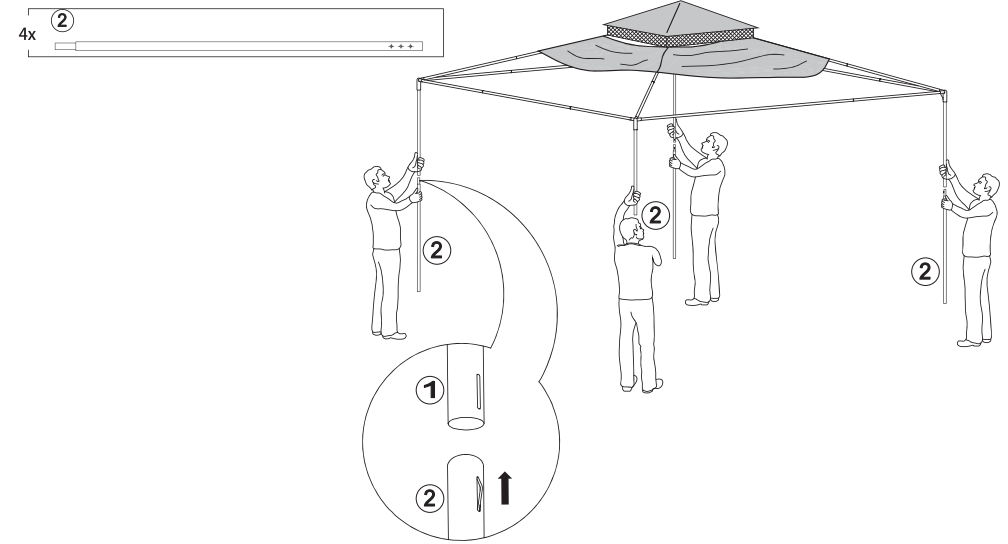
STEP 7: Assembly of Support



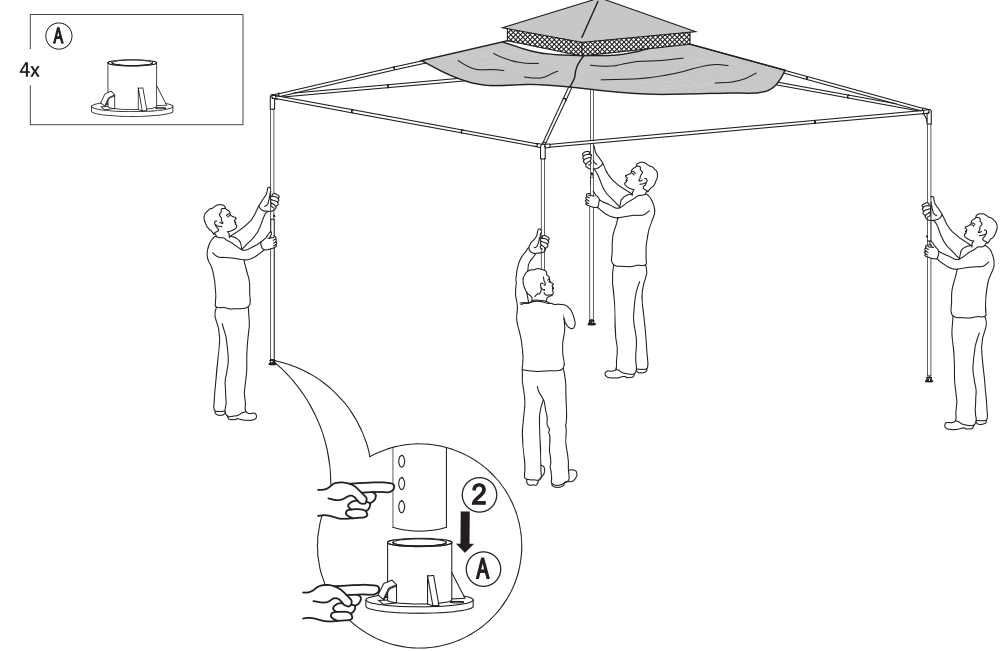
STEP 8: Assembly of Upper Post



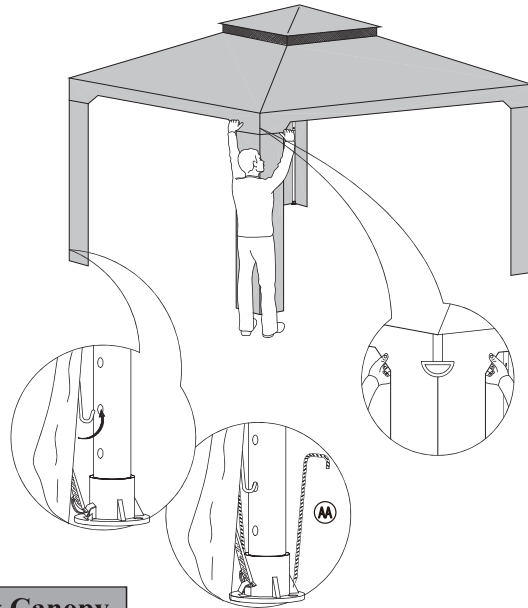
STEP 9: Assembly of Lower Post



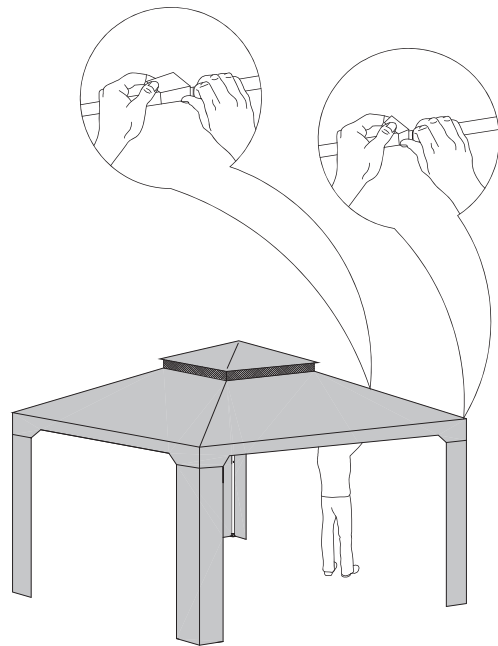
STEP 10: Assembly of Base



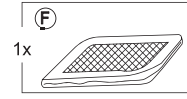
STEP 11: Assembly of Big Canopy and Stake



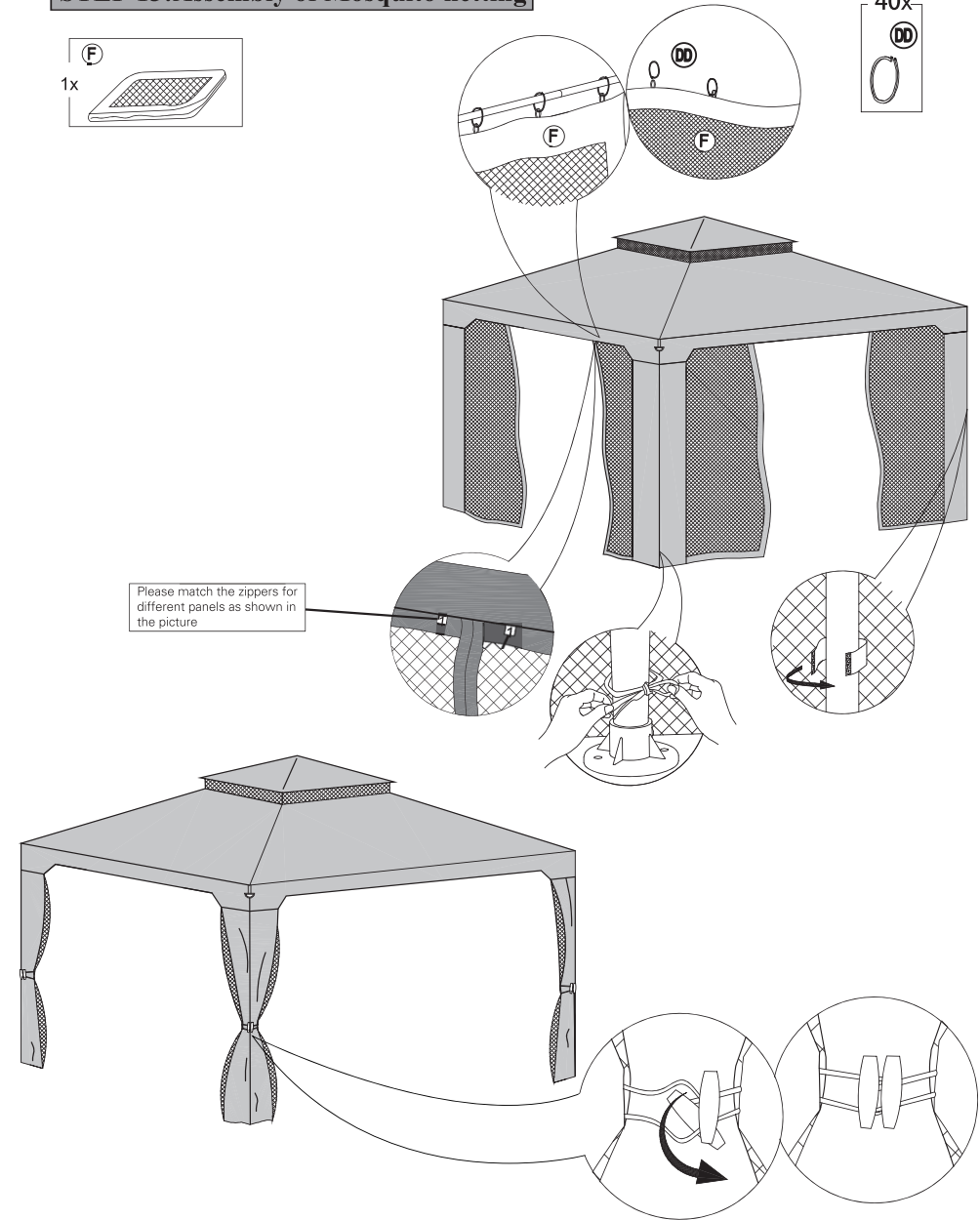
STEP 12: Assembly of Big Canopy



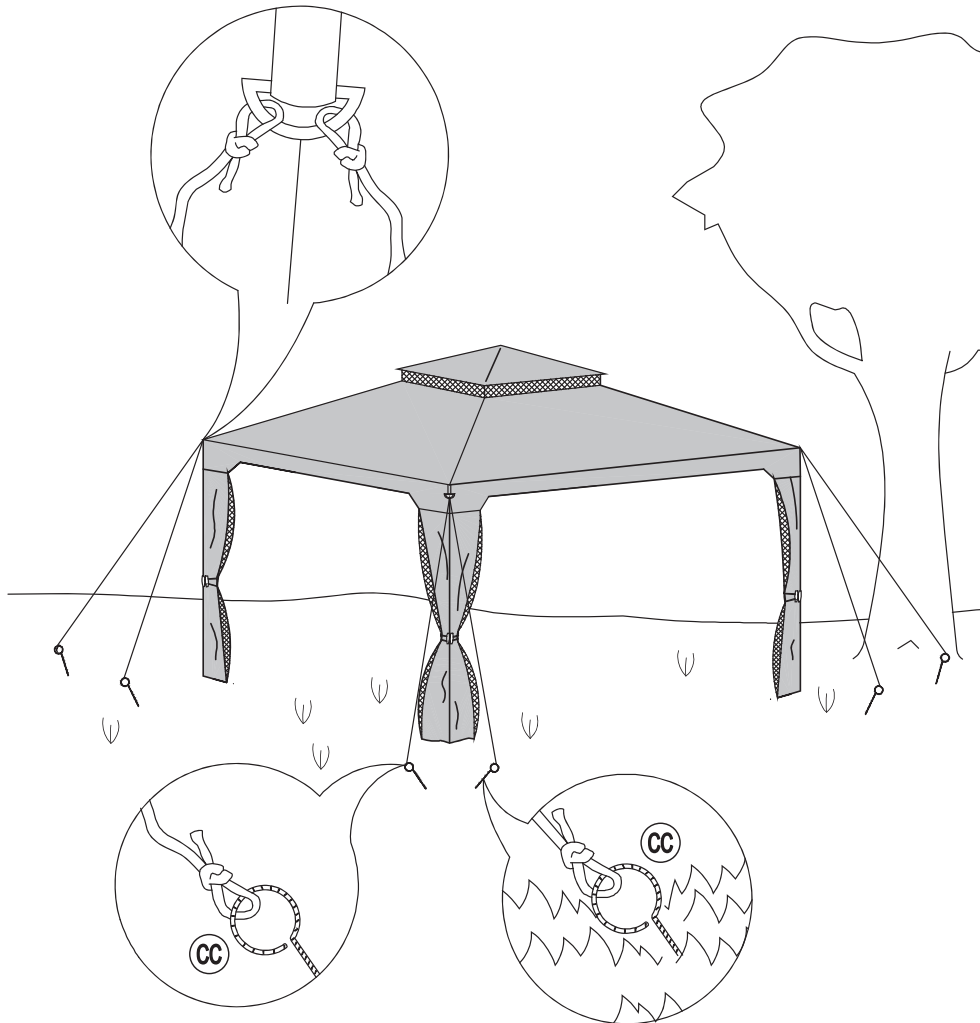
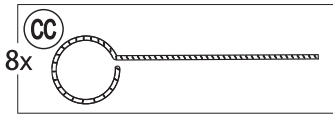
STEP 13: Assembly of Mosquito netting



Please match the zippers for different panels as shown in the picture



STEP 14: Assembly of Stake



Welcome to visit our website and purchase our quality products!

Your suggestions and comments for COSTWAY are really important to us!
We sincerely solicit you to go back to our shop and leave a good rating in just a simple click. It would be quite encouraging if you could kindly do so like below:

★★★★★ Great products so far

February 24, 2019
Great products so far. Fast delivery, easy setup, and working without any issues.

With your inspiring rating, COSTWAY will be more consistent to offer you
EASY SHOPPING EXPERIENCE, GOOD PRODUCTS and EFFICIENT SERVICE!

US office: Fontana, California

UK office: Ipswich



- * Reward Points
- * Exclusive Customer Service
- * Personalized Recommendations
- * Permanent Shopping Cart
- * Order History

5 Star Rating



We would like to extend our heartfelt thanks to
all of our customers for taking time to assemble
this product and giving us valuable feedbacks.

*THANK
YOU*
☺