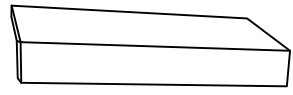


---

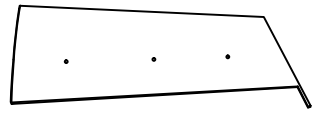
## ASSEMBLY INSTRUCTIONS

# PARTS AND HARDWARE

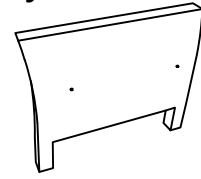
Avoid using sharp objects such as a knife to cut open packing as you may accidentally damage the upholstery.



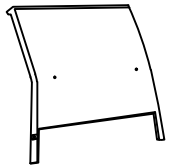
A.1x



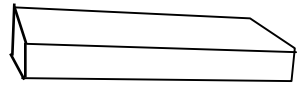
B.1x



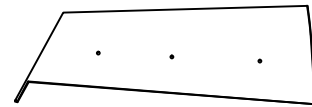
C.1x



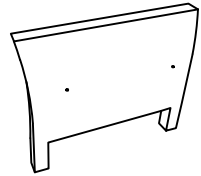
D.1x



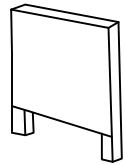
E.1x



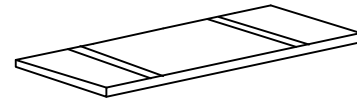
F.1x



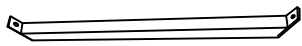
G.1x



J.2x



K.1x



L.1x



M.13x  
M6X40mm



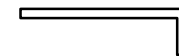
N.15x  
M6X35mm



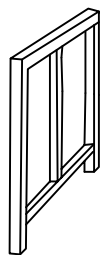
O.4x  
M6X30mm



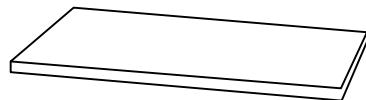
P.8x  
M6X20mm



Q.1x



R.2x



S.1x

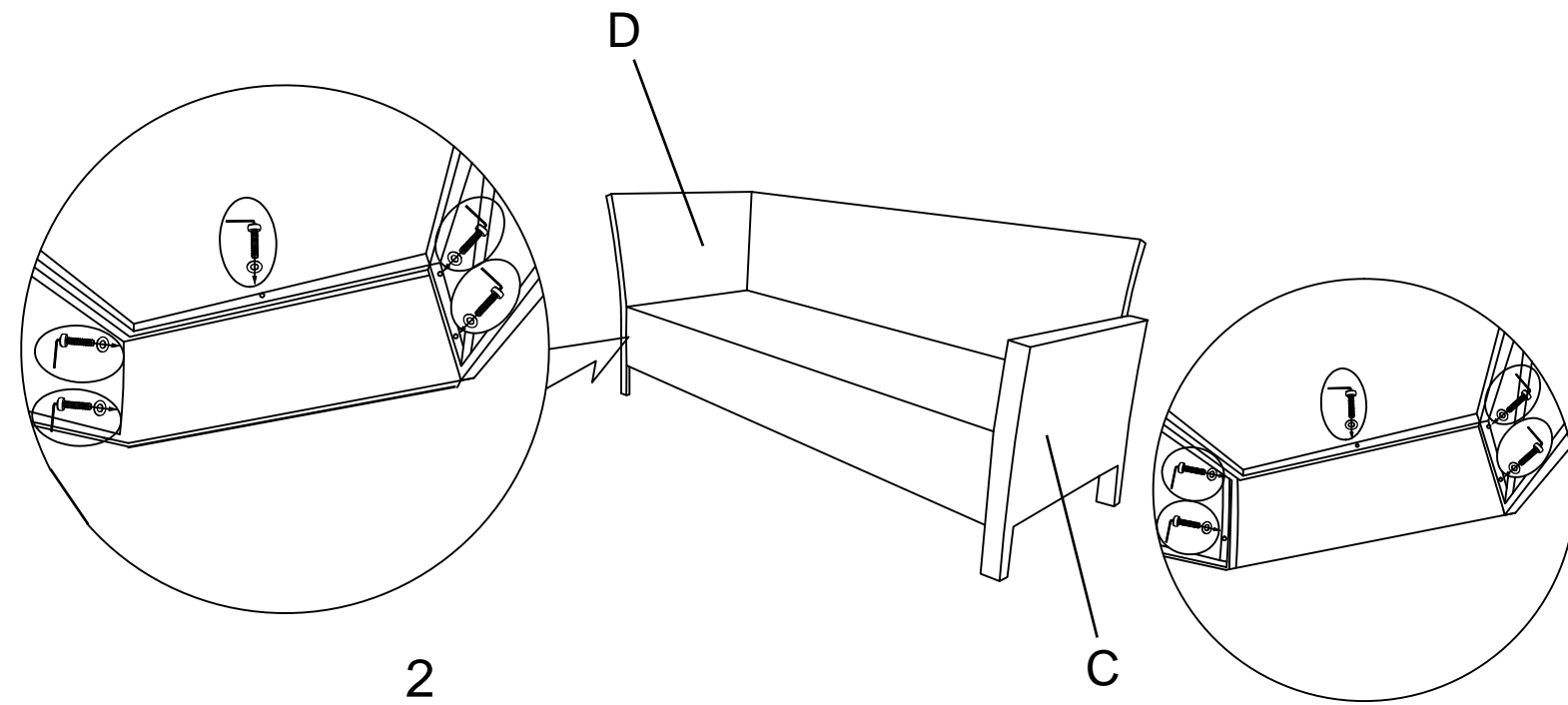
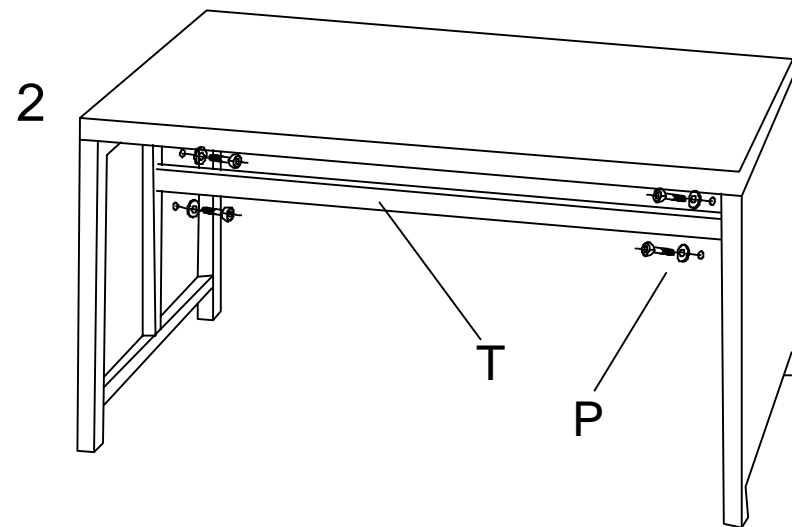
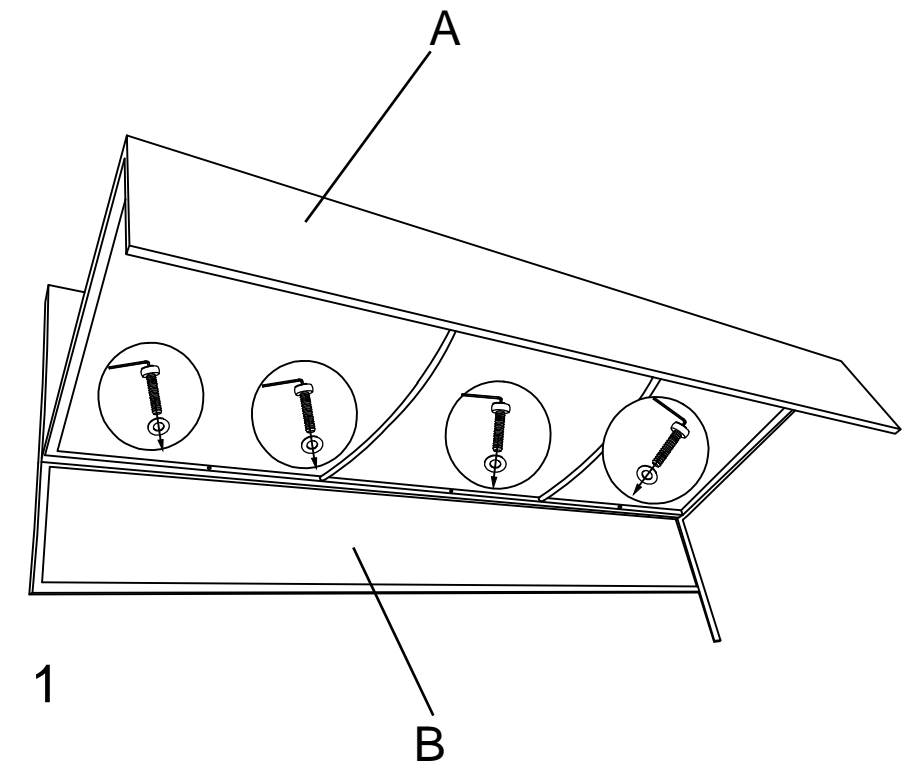
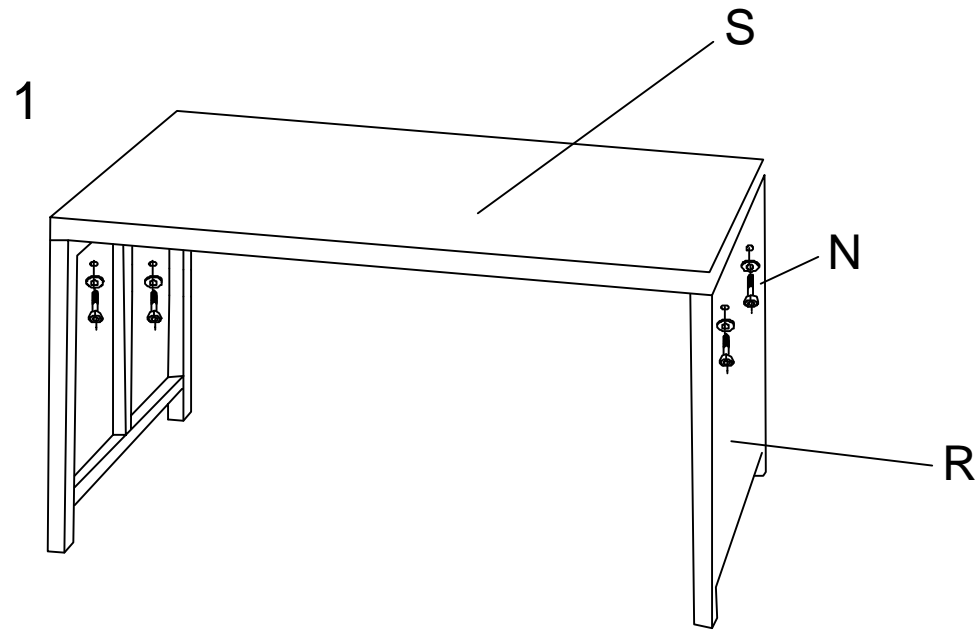


T.1x

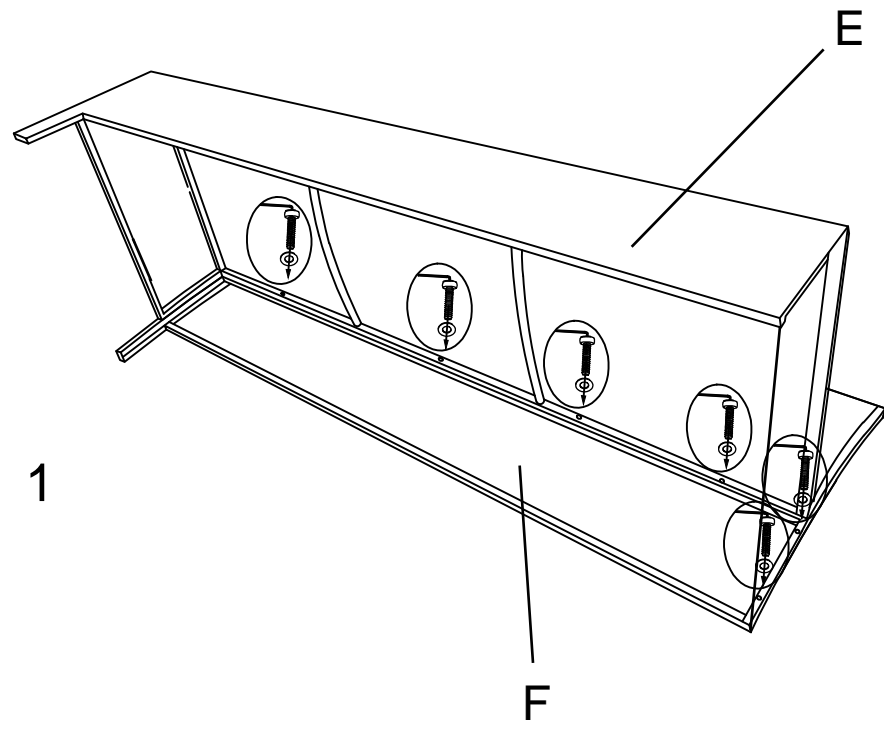
# Bench

Do not fully tighten bolts until assembly is complete.

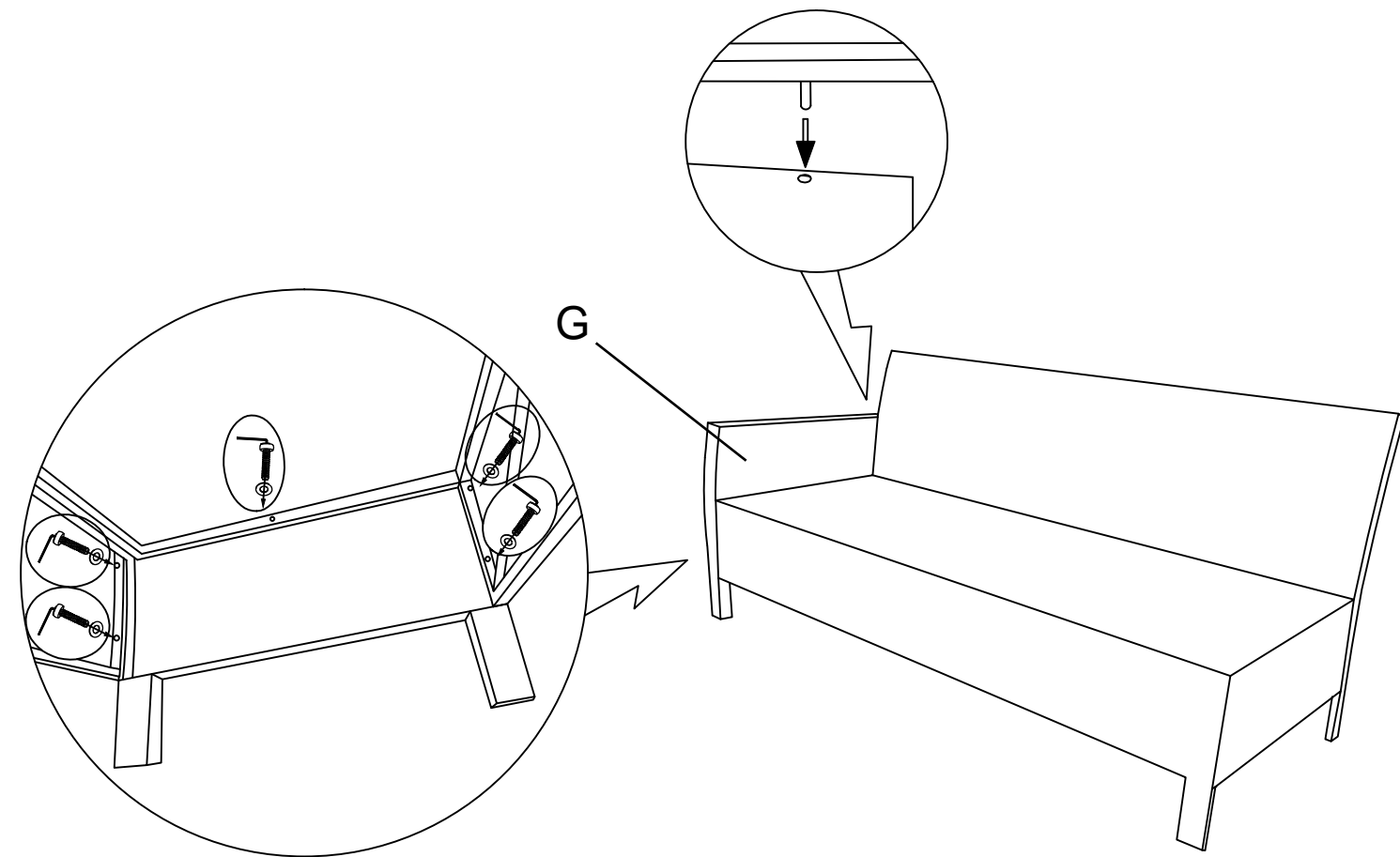
## 3seat corner sofa



# 3seat sofa

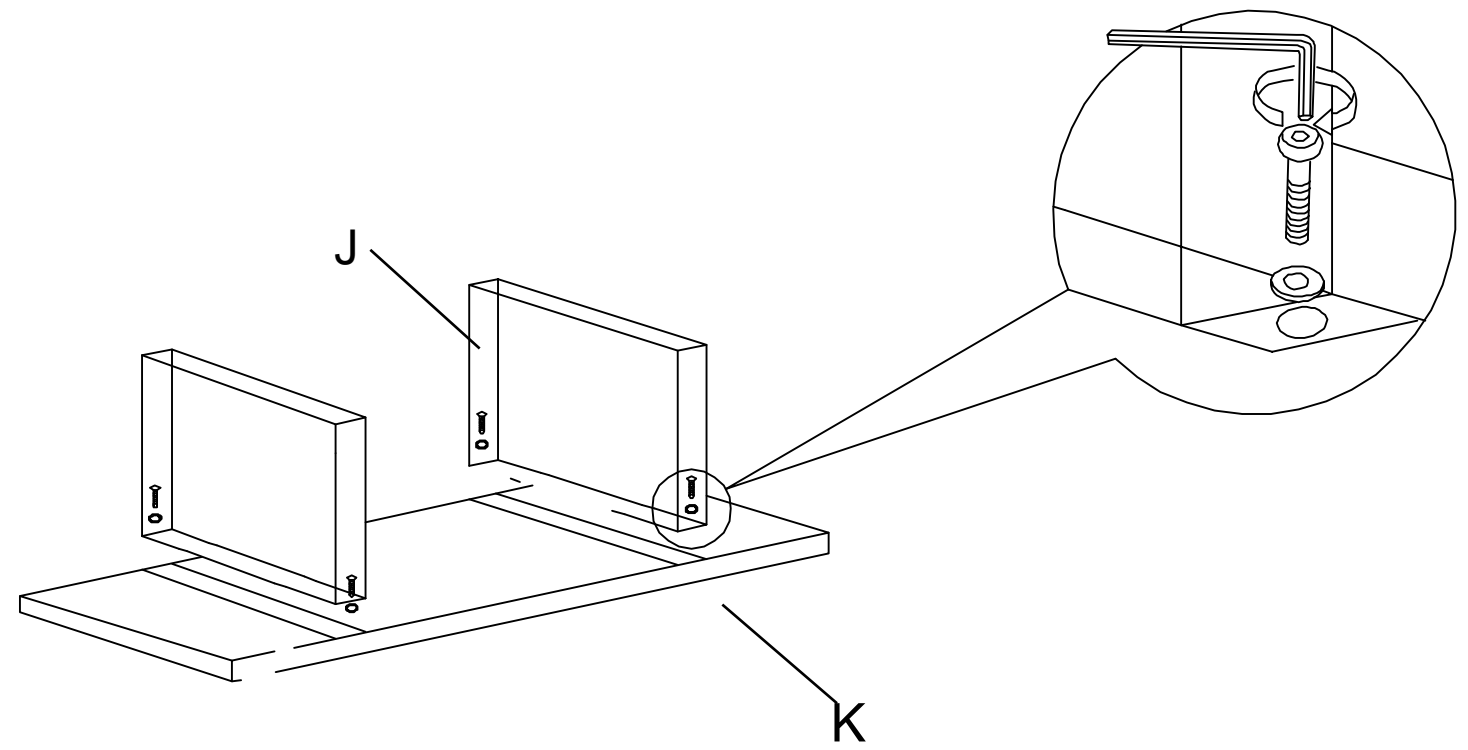


1

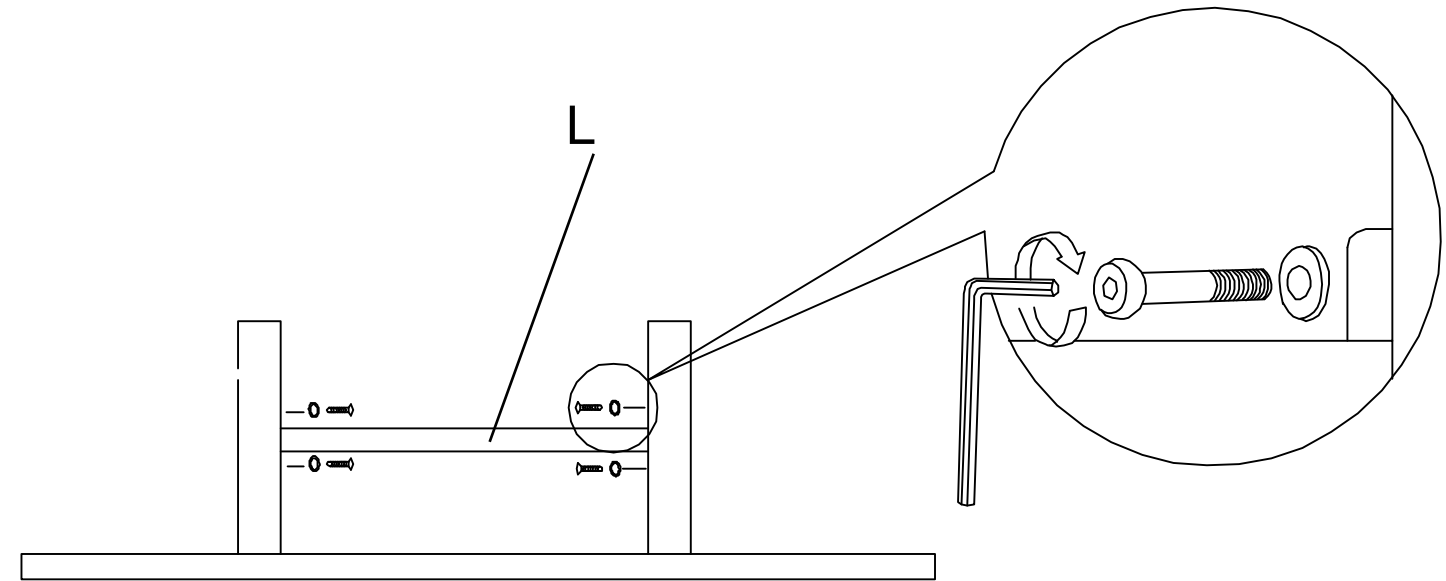


2

# Dining table



1



2