

PARTS



A



B



C



D



x4
(M6x16mm)

E

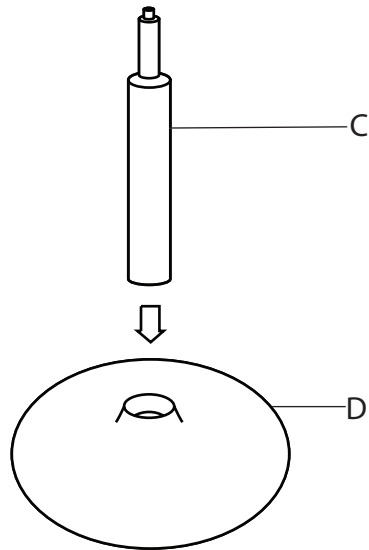


F

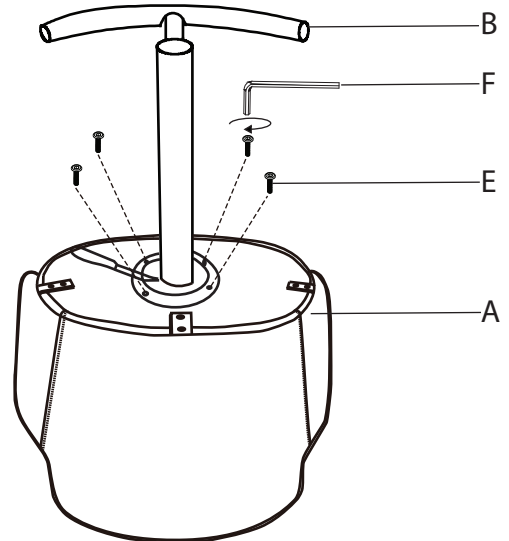
1



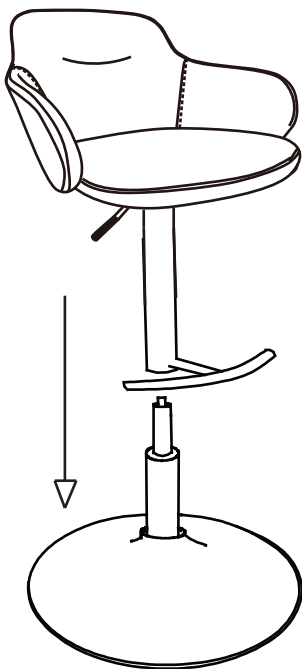
REMOVE
BLACK CAP
AND THROW
AWAY



2



3



4



SIT TO SECURE



Do not over tighten.
 Do not use power tools to assemble.