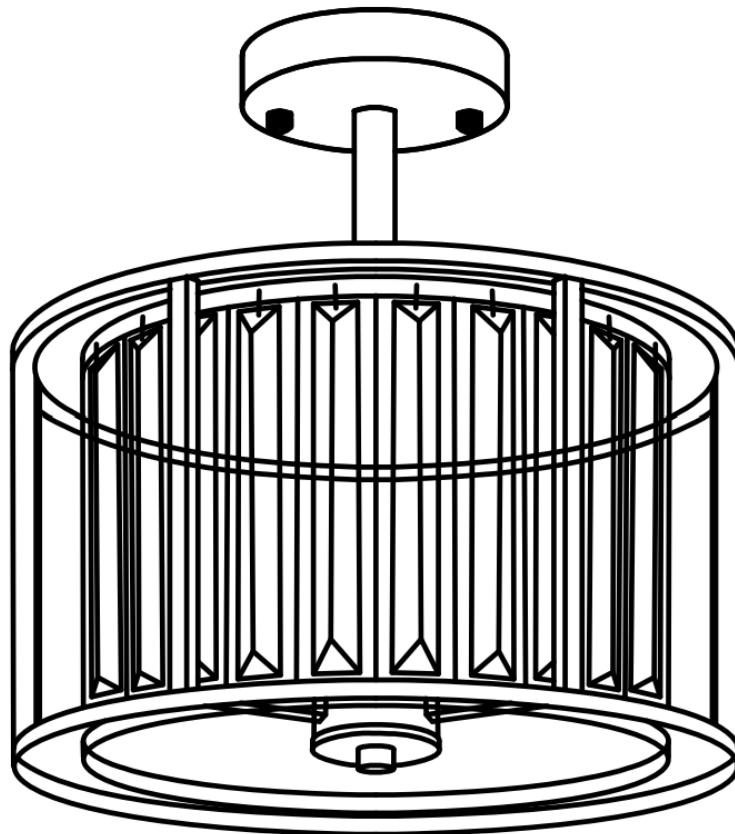


Model  
AGV-CL005



## INSTRUCTION MANUAL

IMPORTANT: READ CAREFULLY AND KEEP.



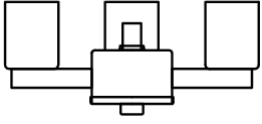



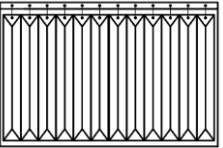
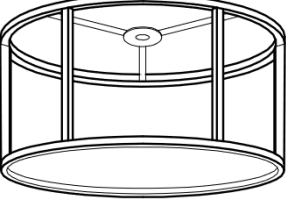

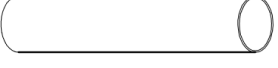




Customer service:

[Service@agv-lighting.com](mailto:Service@agv-lighting.com)




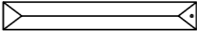

---

Made in China  
Residential use only  
Indoor use only

## Parts List

Item	Drawing	Description	Quantity
A		Lamp base	× 1
B		Threaded Central Column	×1
C		Tube 1	× 1
D		Seal Ring 1 (for Tube 1)	× 1
E		Lamp Shade	× 1
F		Lamp Frame	× 1
G		Seal Ring 2 (for Tube 2)	× 2
H		Tube 2	× 1
I		Canopy	×1
J		Gasket	× 1
K		Nut	× 1
L		Mounting Bracket	× 1

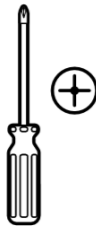
INSTRUCTION MANUAL

M		Wire Connector	× 3
N		Screw (for connecting junction box )	× 2
O		Knob	× 2
P		Crystal Stick	× 24
Q		Crystal Connector	× 24

TOOLS REQUIRED



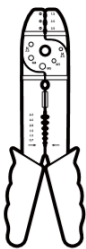
Safety goggles



Phillips screwdriver



Flathead screwdriver



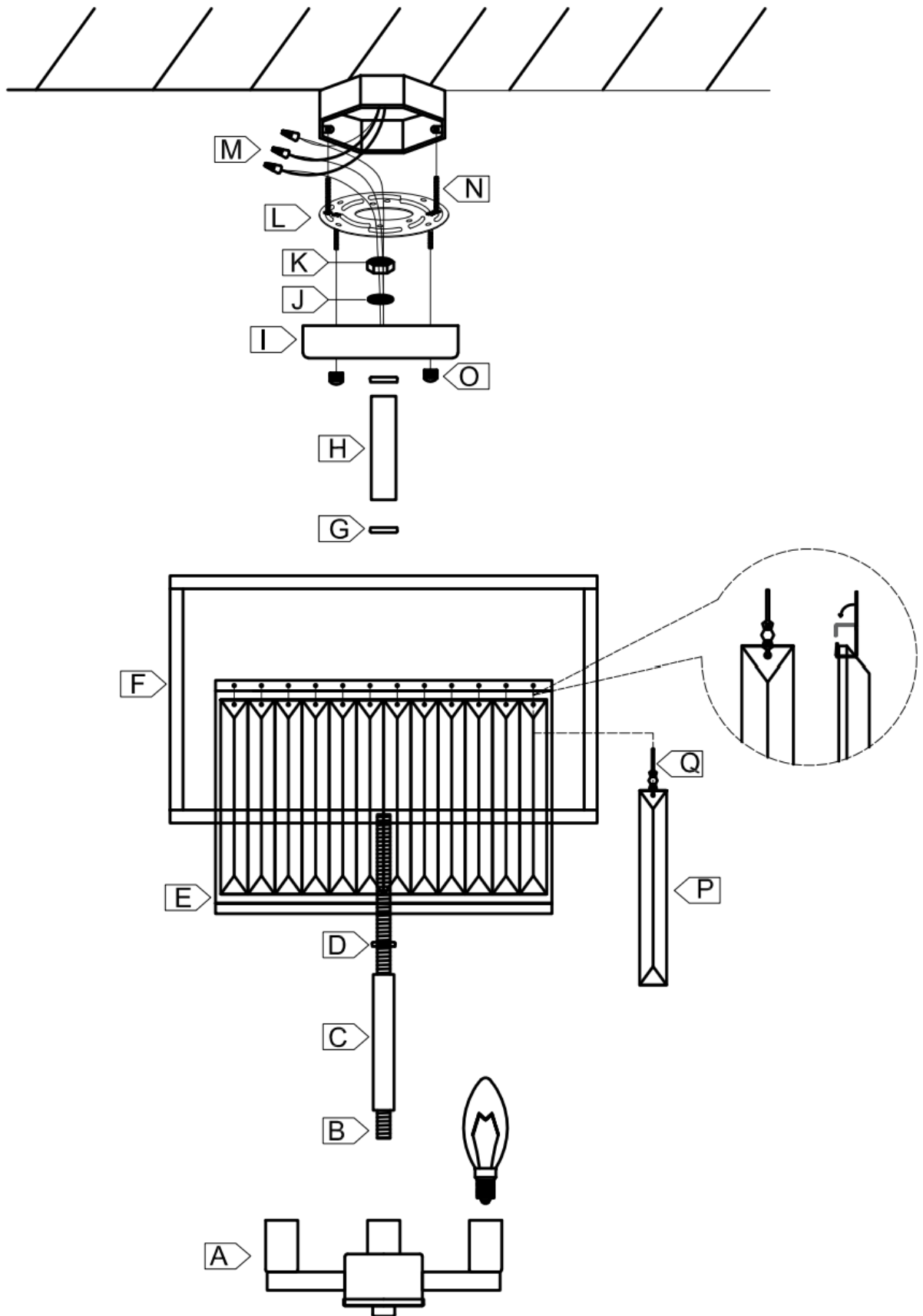
Wire strippers



Wire cutters



Ladder



## IMPORTANT

This warranty applies only to the original consumer purchaser and only to products used in normal use and service. If this product is found to be defective, the manufacturer's only obligation, and your exclusive remedy, is the repair or replacement of the product at the manufacturer's discretion, provided that the product has not been damaged through misuse, abuse, accident, modifications, alterations, neglect, or mishandling.


This warranty shall not apply to any product that is found to have been improperly installed, set-up, or used in any way not in accordance with the instructions supplied with the product.

This warranty shall not apply to a failure of the product as a result of an accident, misuse, abuse, negligence, alteration, faulty installation, or any other failure not relating to faulty material or workmanship.

The manufacturer does not warrant and specifically disclaims any warranty, whether express or implied, of fitness for a particular purpose, other than the warranty contained herein. The manufacturer specifically disclaims any liability and shall not be liable for any consequential or incidental loss or damage, including but not limited to any labor / expense costs involved in the replacement or repair of said product.

Switch off the main electrical supply from the fuse box/circuit breaker before installing the unit or doing any maintenance.

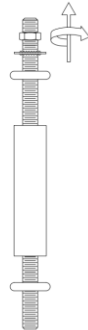
Do not use outdoor.

<p><b>WARNING:</b></p> <p>Risk of electrical shock.</p> <p>Turn off breaker at the panel.</p>	
-----------------------------------------------------------------------------------------------	------------------------------------------------------------------------------------

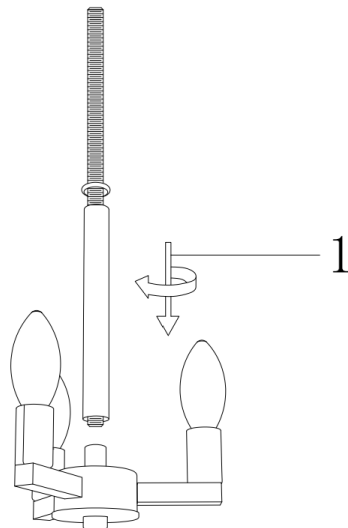
## INSTALLATION

**WARNING: First of all, turn off the power at the main fuse box!**

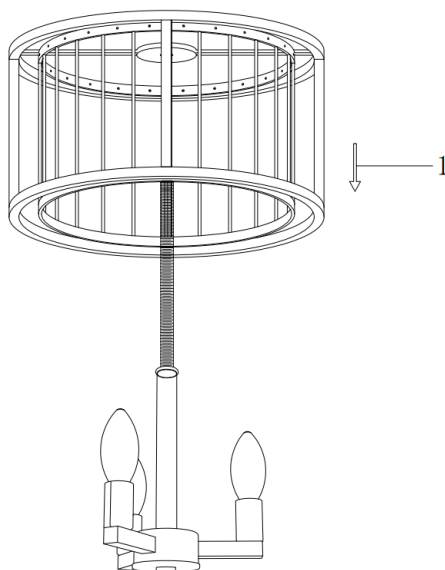
1. Unscrew the nut and gasket from central column.



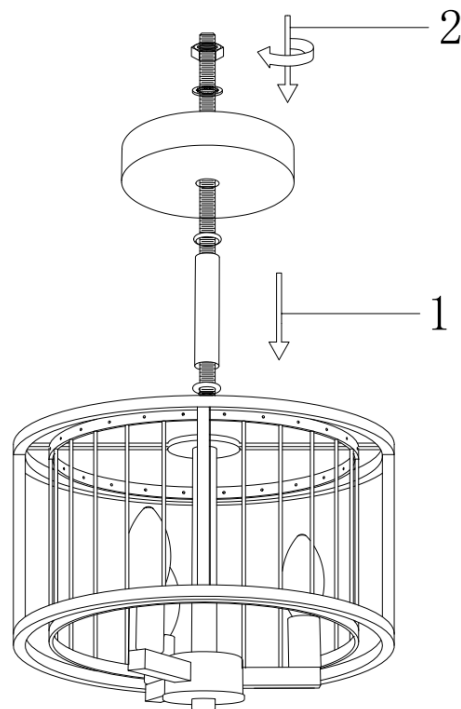
2. Thread wires from lamp base through central column, and then screw central column on it, install bulbs, which not included in package.



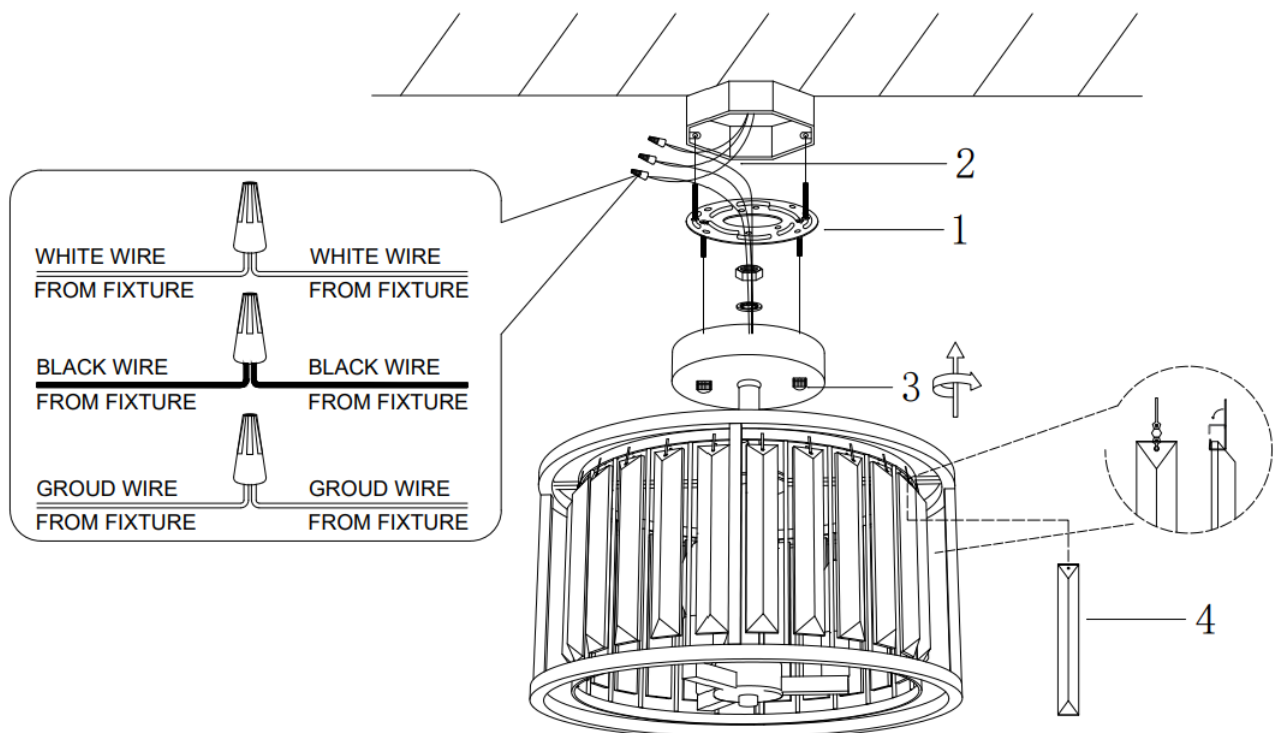
3. Put lamp shade frame and lamp frame on lamp base.



4. Install the Seal Ring 2 and Tube 2 on the part of Central Column above lamp shade, and then screw the canopy on central column with gasket and nut.



5. Install bolts on the Mounting Bracket (against the positions of ceiling junction box and canopy); and then screw the mounting bracket to the ceiling junction box, connect wires with wire connectors as below pic, and then screw the canopy on the mounting bracket with knobs. Eventually Install all the crystal sticks on lamp shade frame with crystal connectors (need to bend the connector to make a hook).



## SERVICE

Contact customer service for questions, problems or missing parts.

**Customer Service Email:**

[Service@agv-lighting.com](mailto:Service@agv-lighting.com)

You can also access the **Buyer-Seller Messaging Service** for your convenience. Log into your Amazon.com account and go to Message center. You can send message to our customer service and view past communications. Send attachments to us, file types supported include plain text (.txt), PDF, images (.jpg, .gif and .png), and word documents.

For eligible return orders, go to **Your Orders** on AMAZON buyer central. Choose the order and select **Return** or **Replace** Items. Select to issue a refund or replacement. The return policy for return orders follows the AMAZON customer service policy.