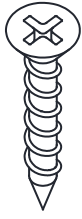




**A**  
x16



**B**  
x4



**C**  
x5



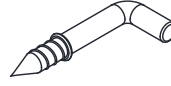
**D**  
x36



**E**  
x16



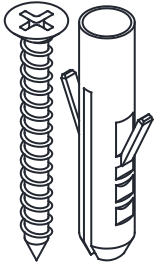
**F**  
x6



**G**  
x8



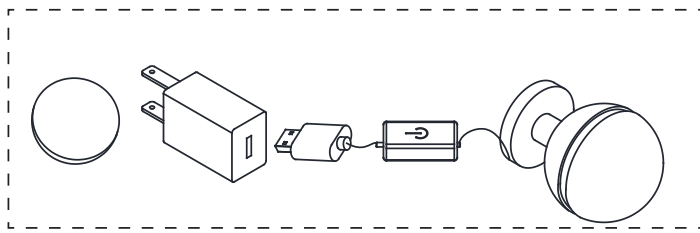
**H**  
x3



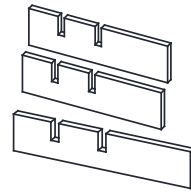
**I**  
x1



**J**  
x1



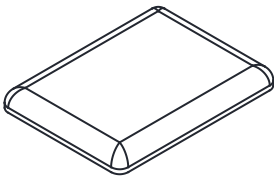
**K**  
x1



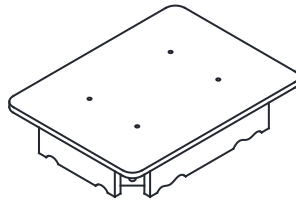
**M**  
x1



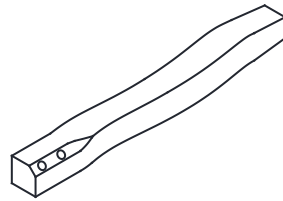
**O**  
x1



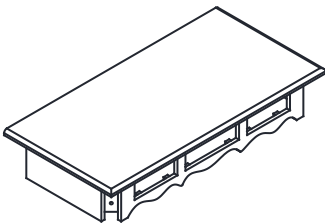
**1**  
x1



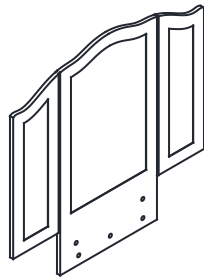
**2**  
x1



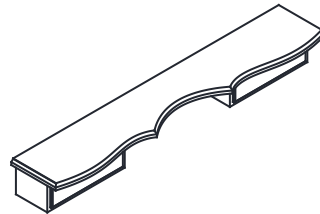
**3**  
x4



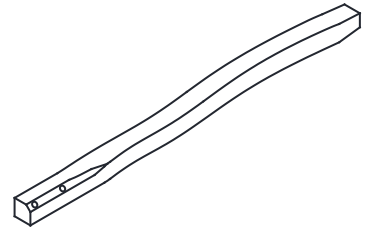
**4**  
x1



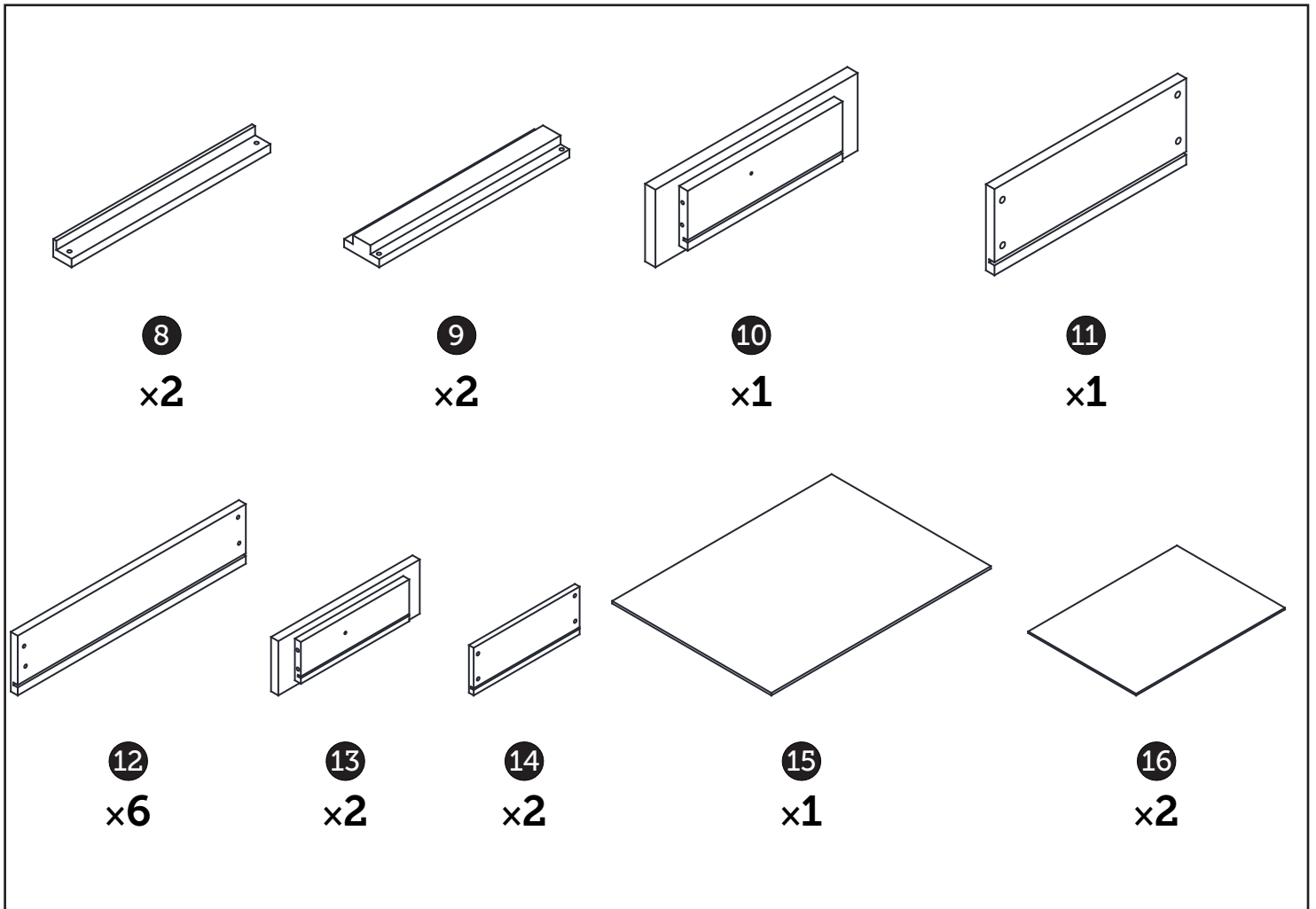
**5**  
x1



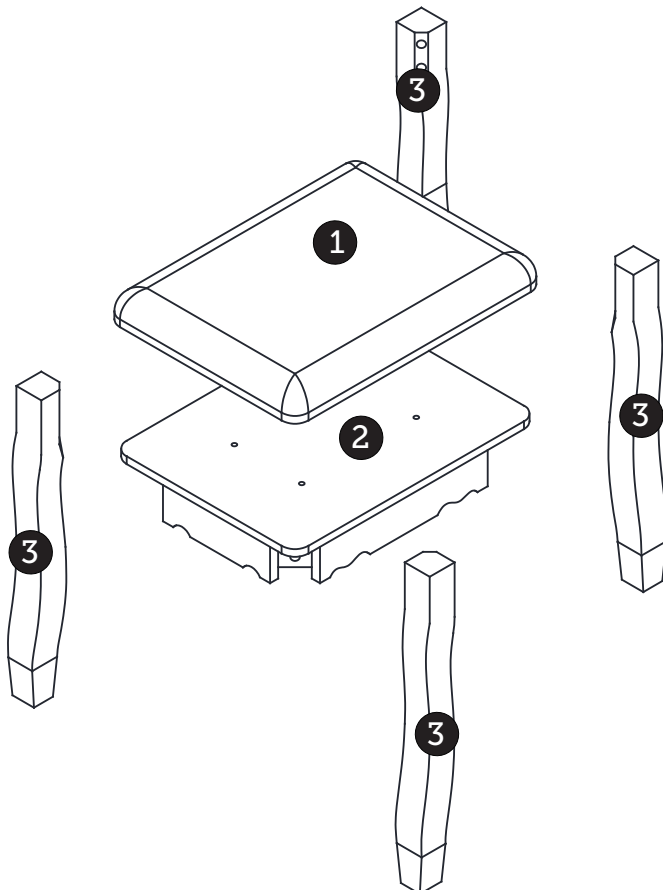
**6**  
x1



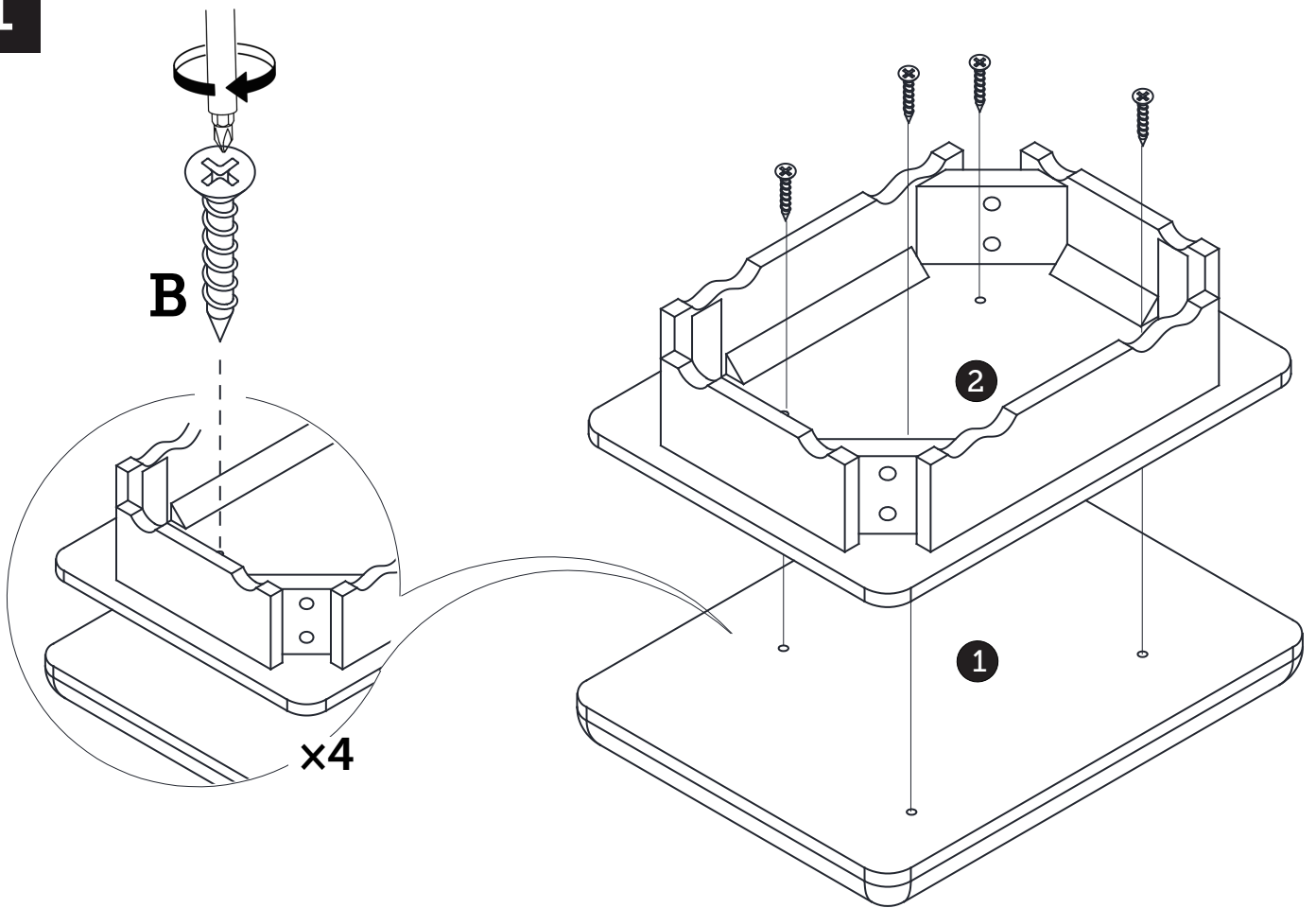
**7**  
x4



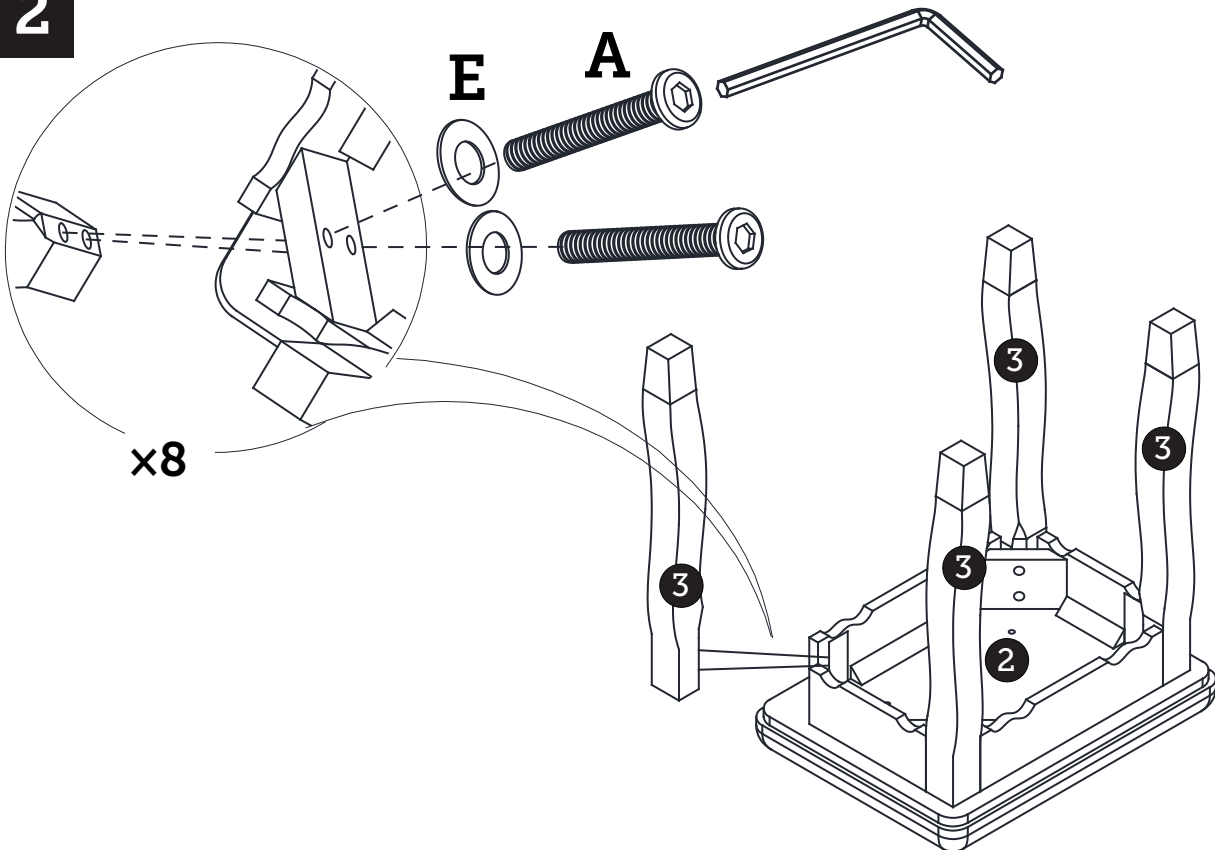
## Install the footstool



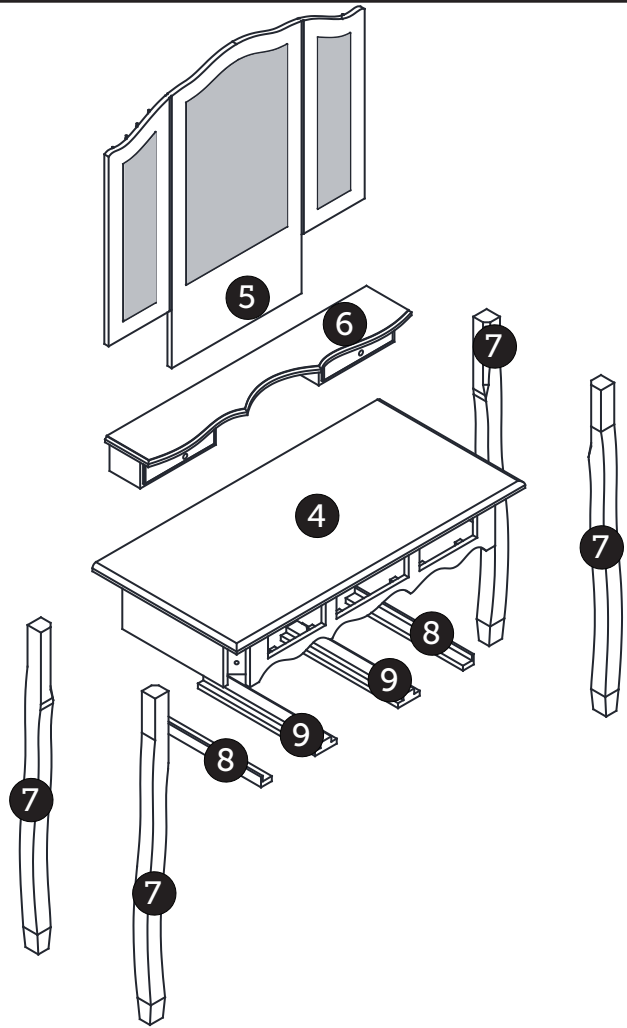
1



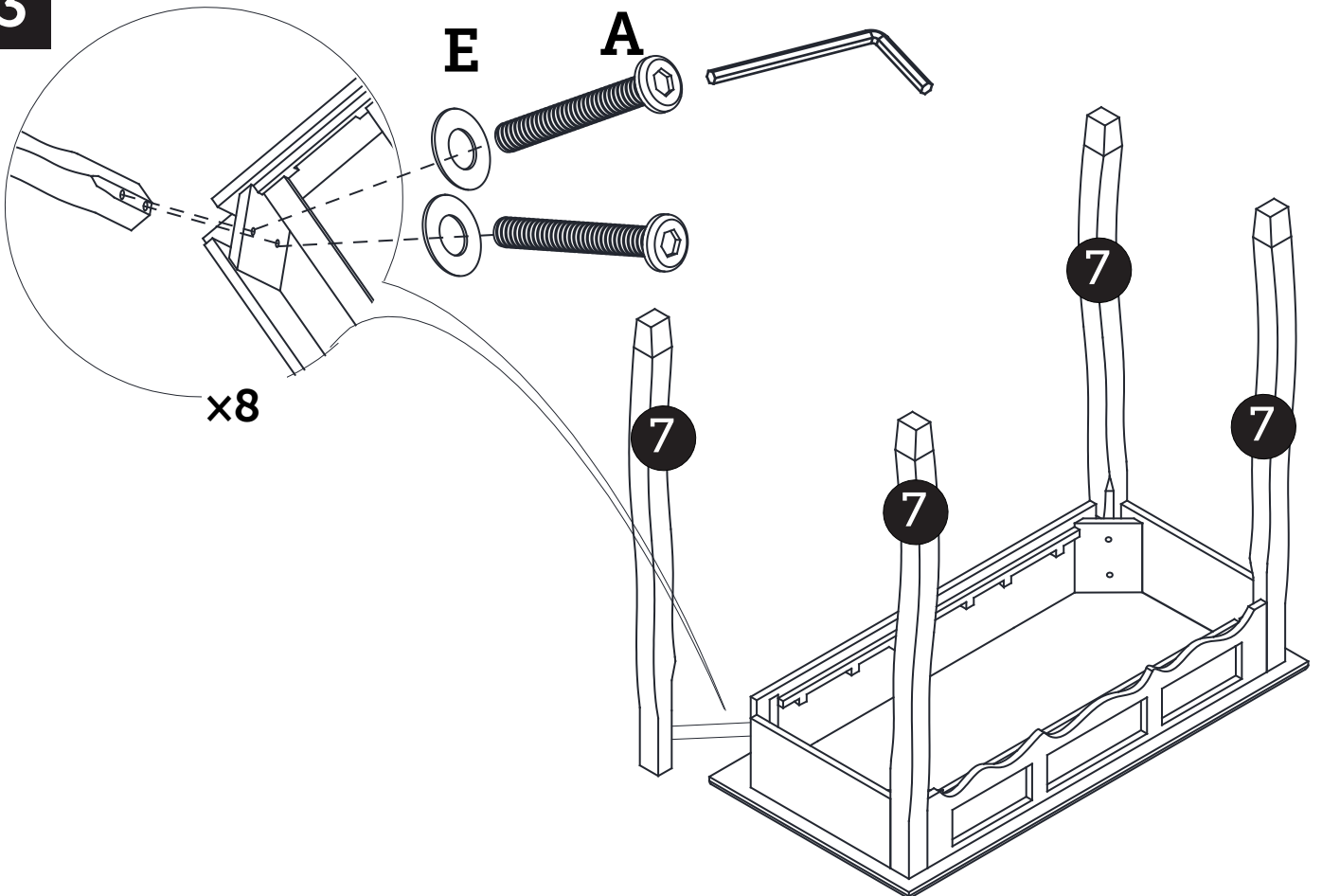
2



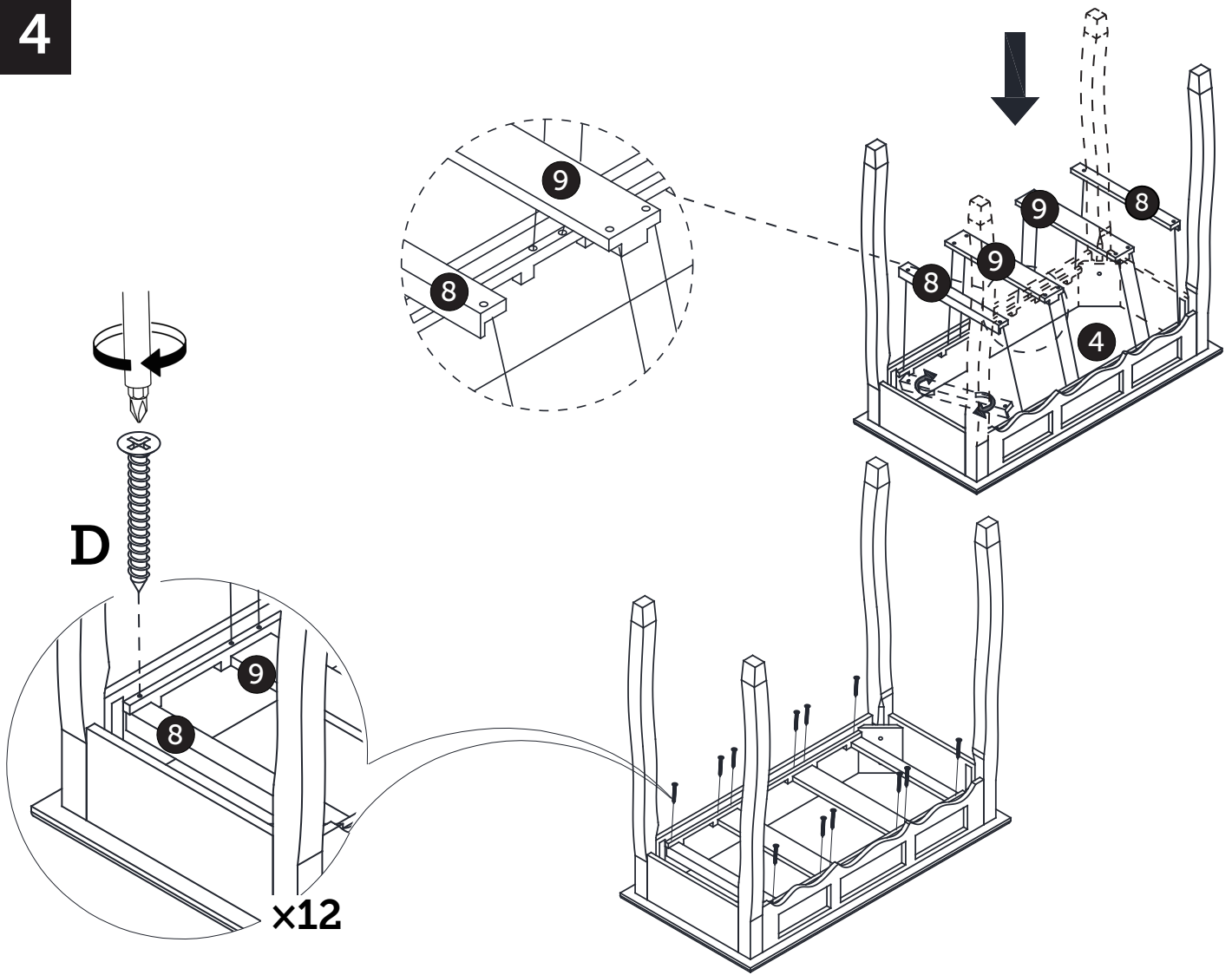
# Install dressing table



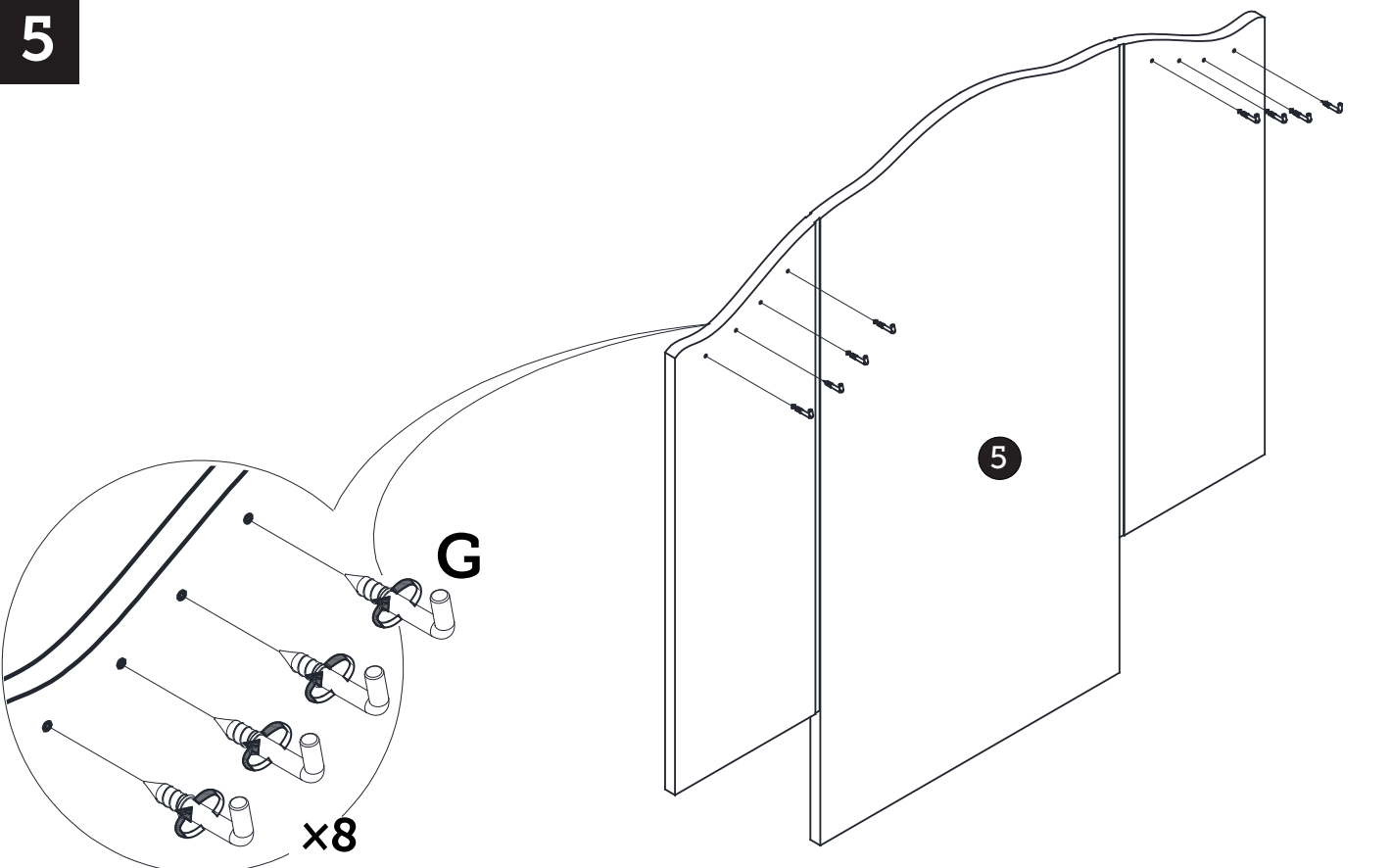
**3**



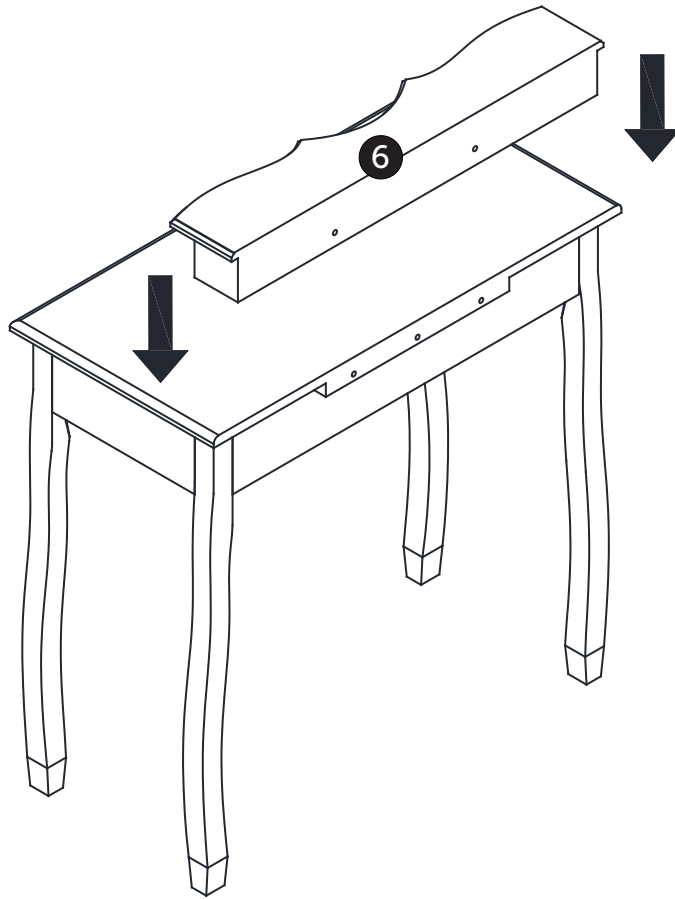
4



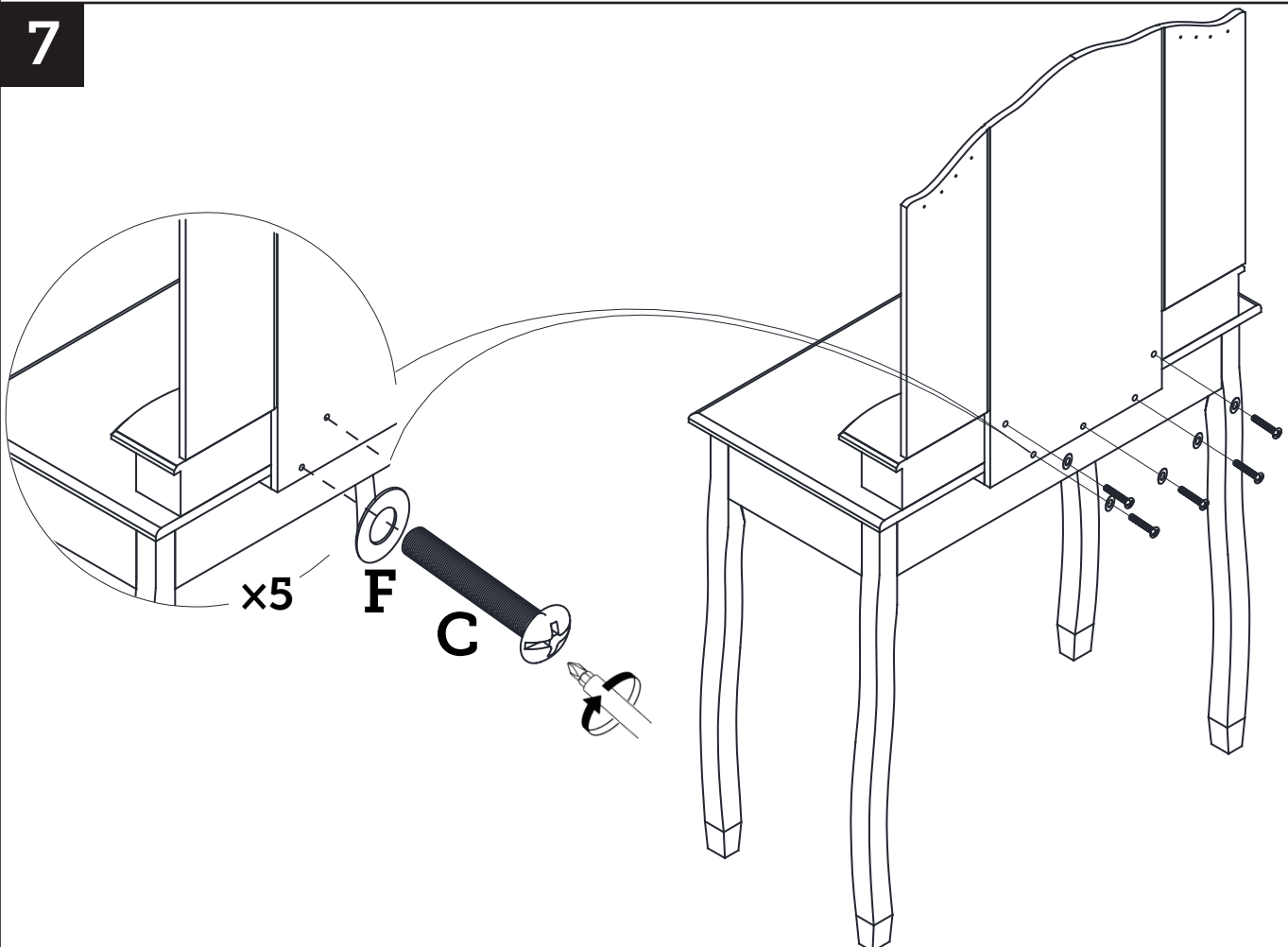
5



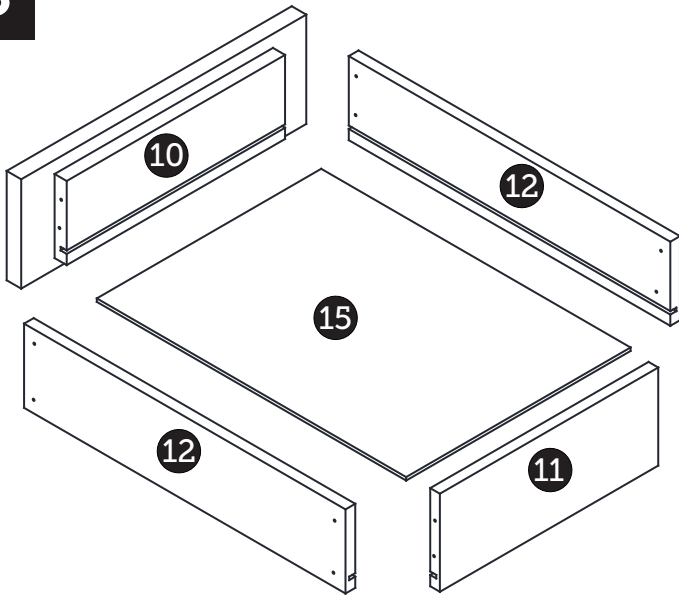
6



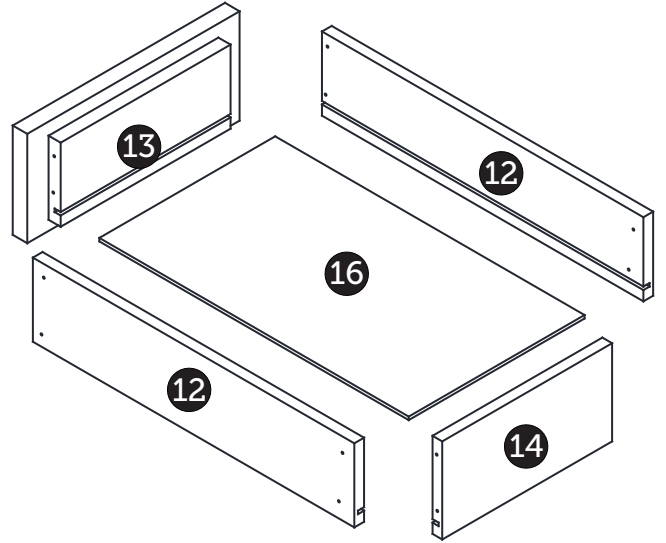
7



8

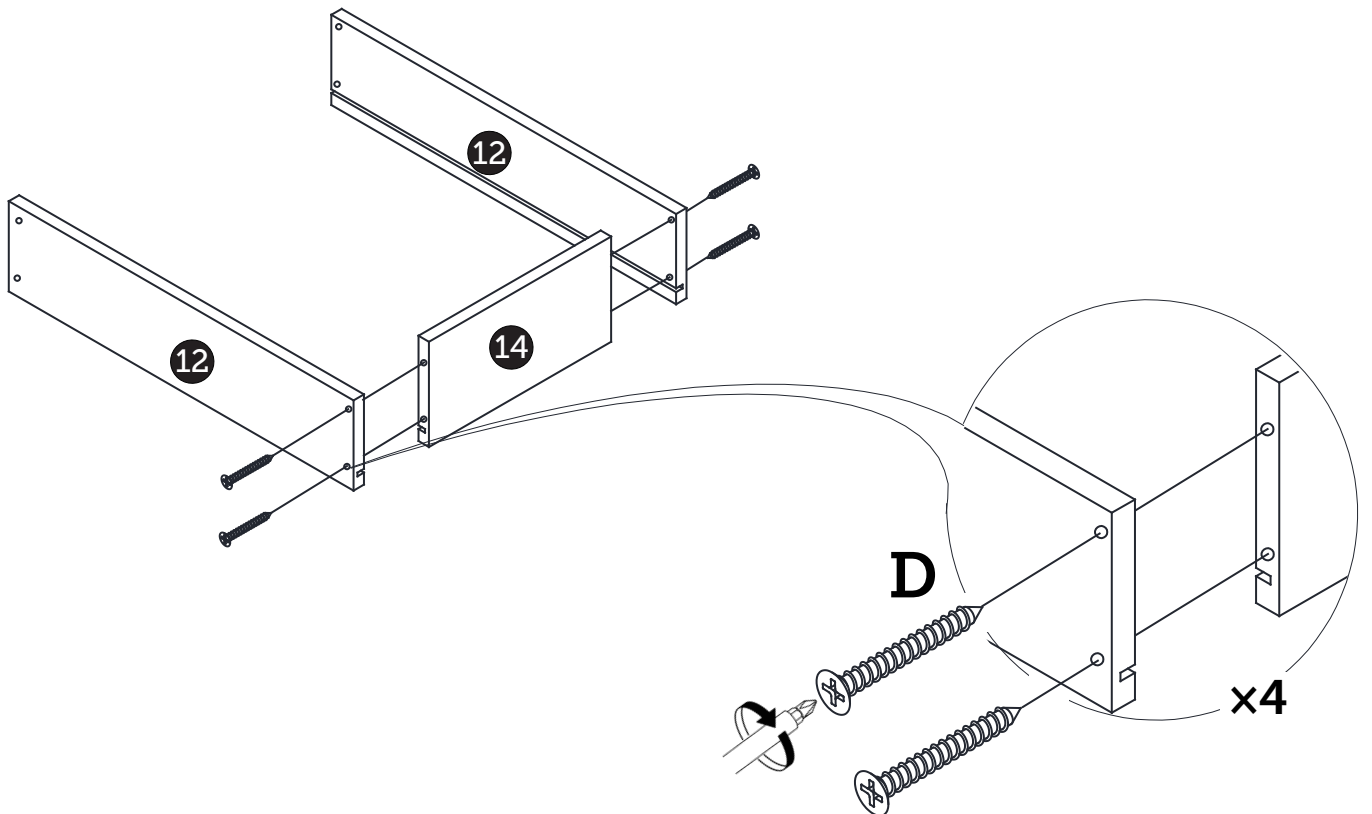


1x

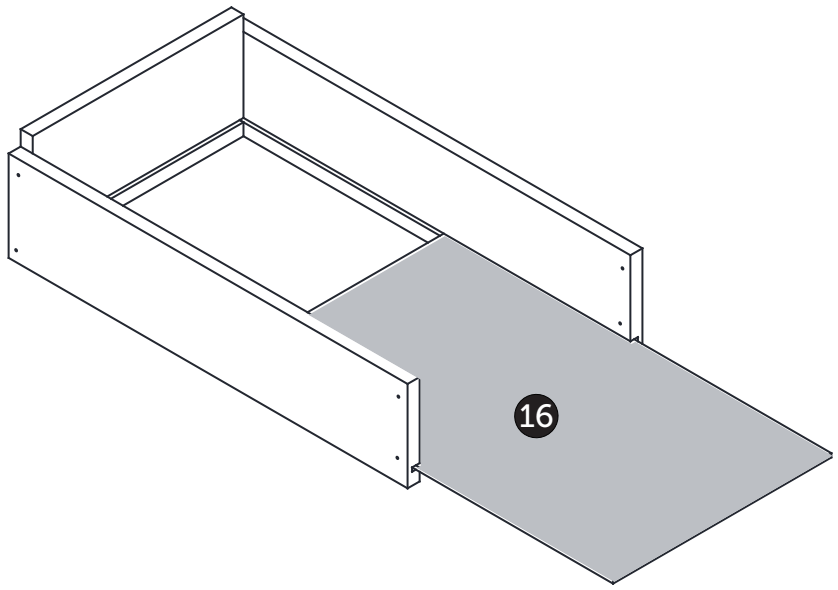


2x

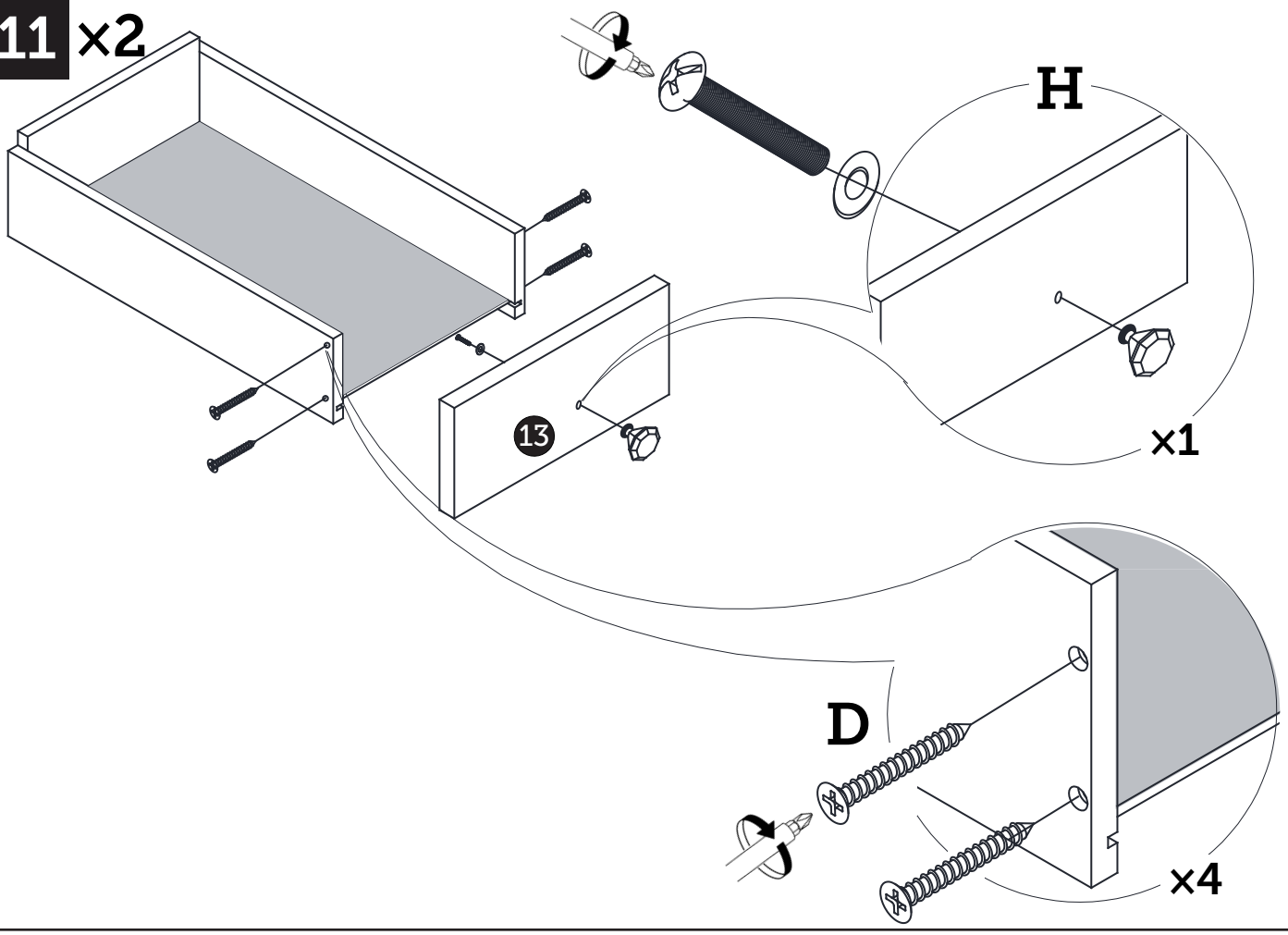
9 x2



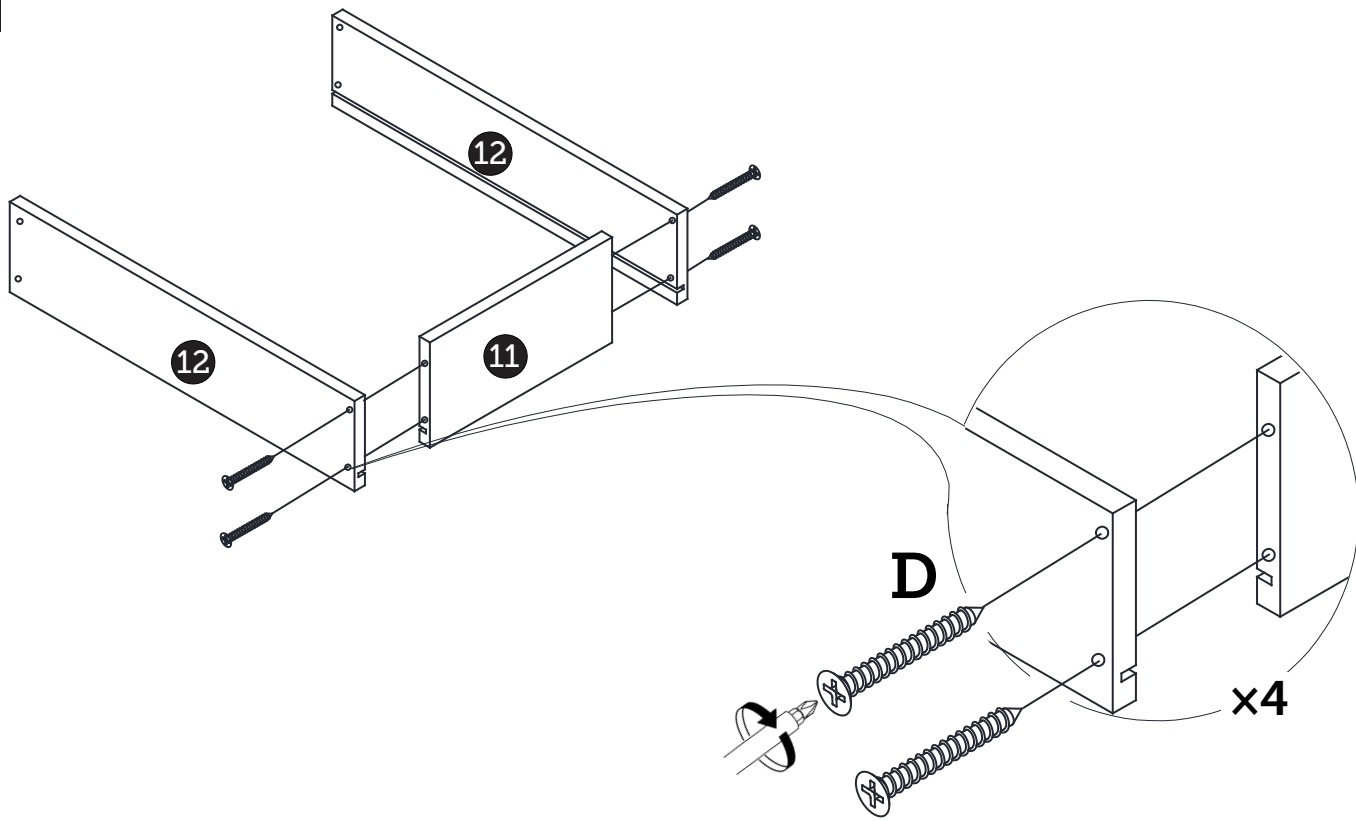
**10** x2



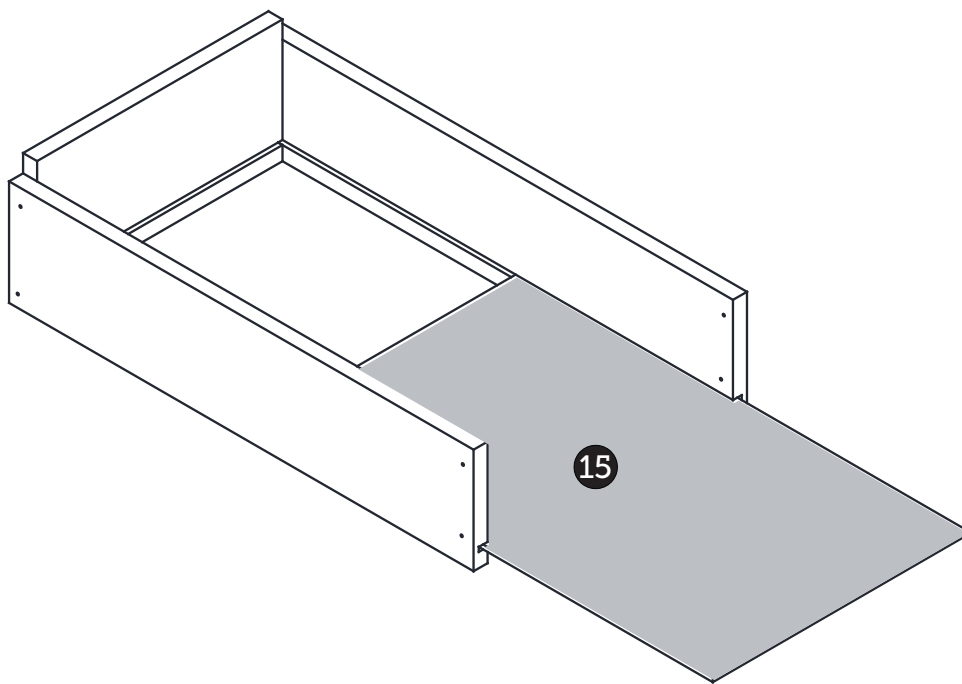
**11** x2



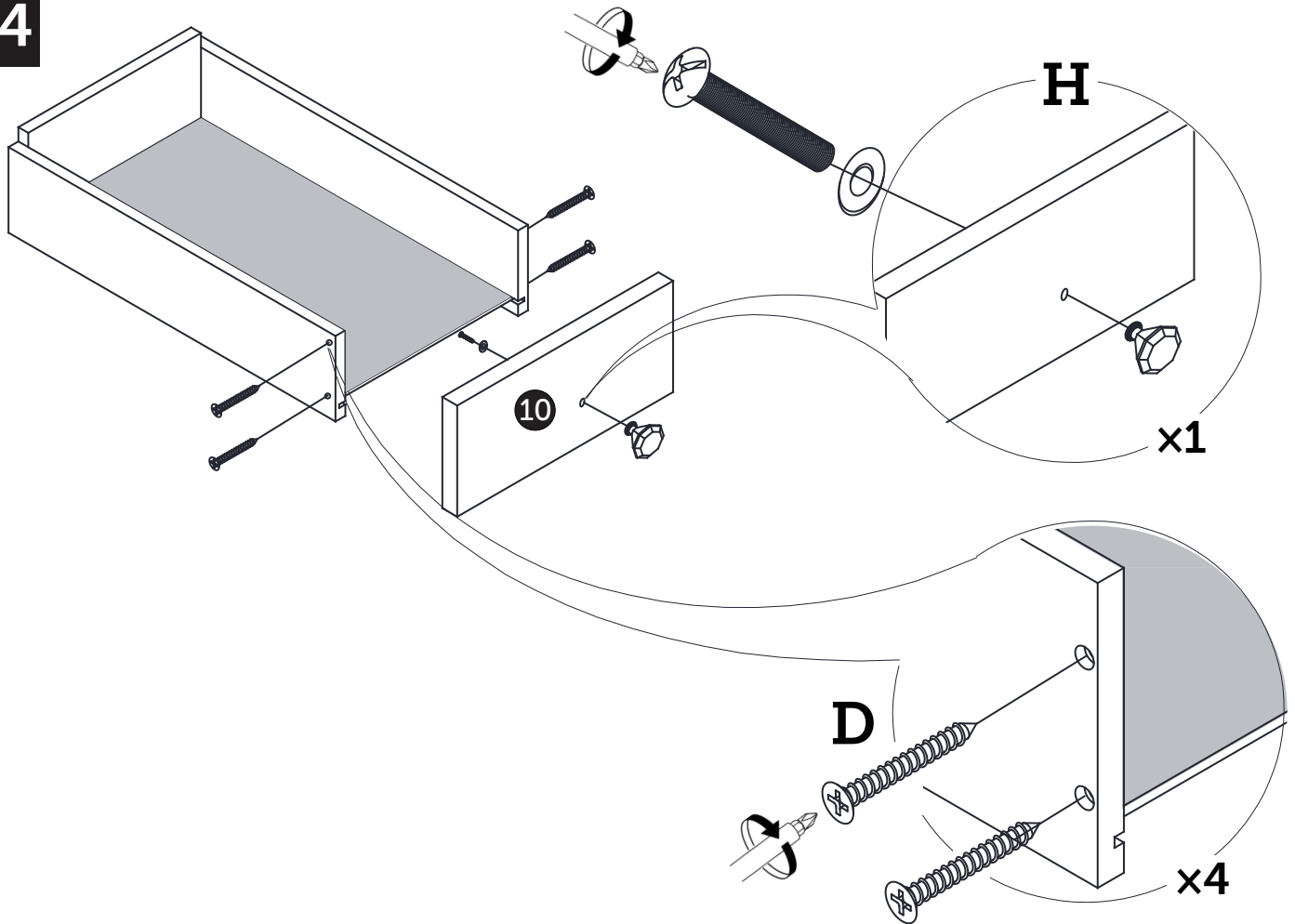
12



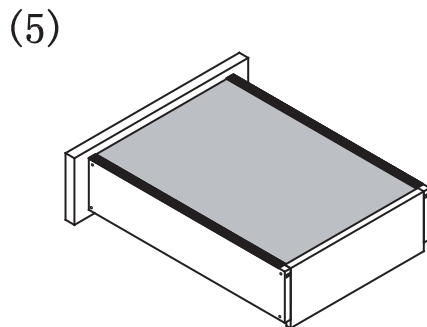
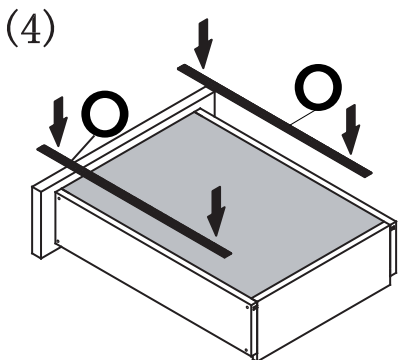
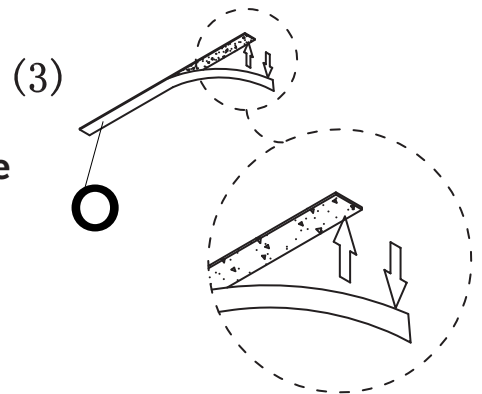
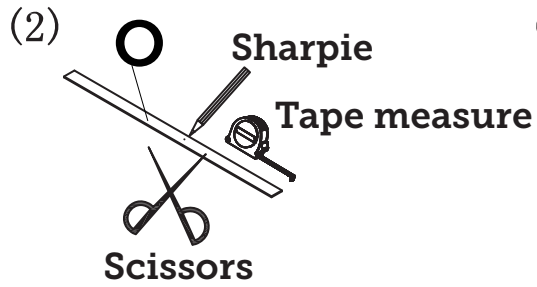
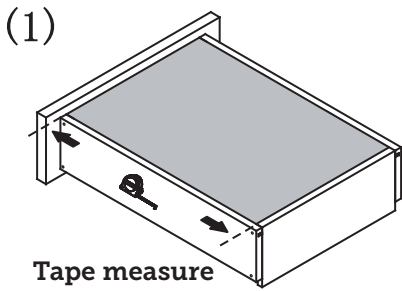
13



14

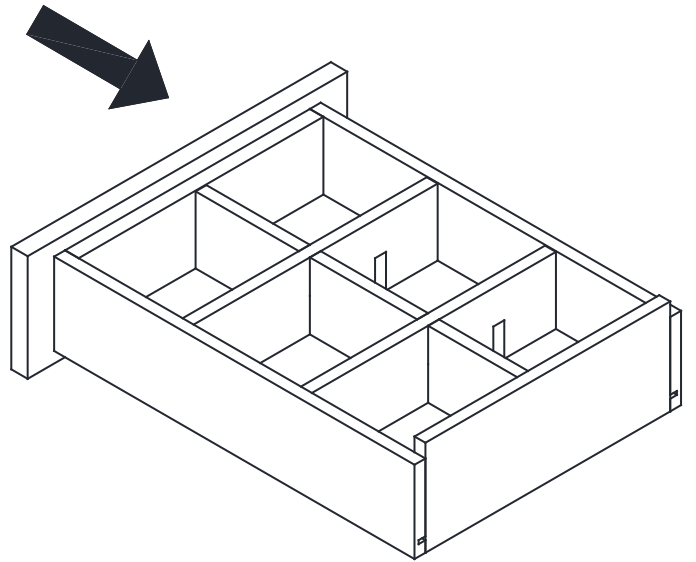
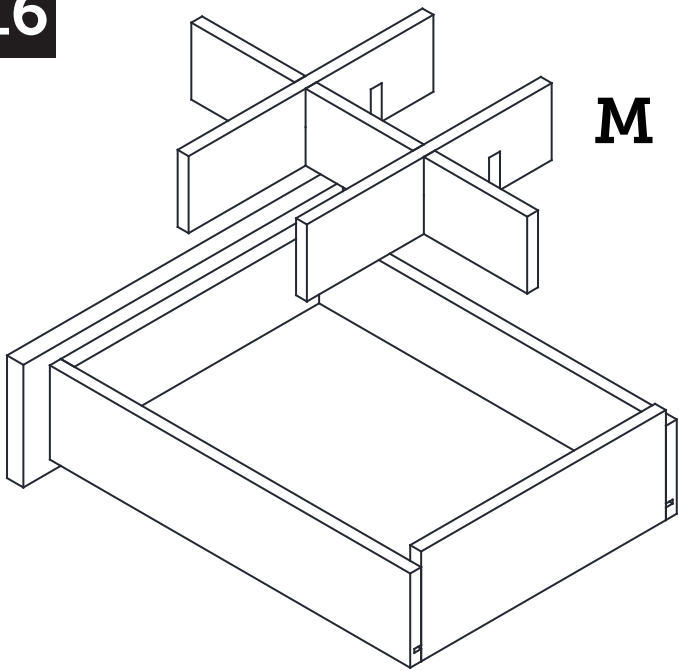


15 x3

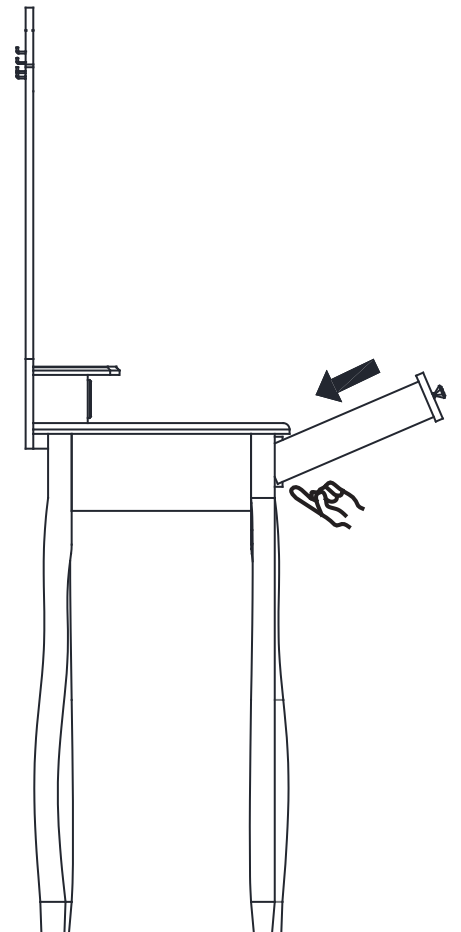
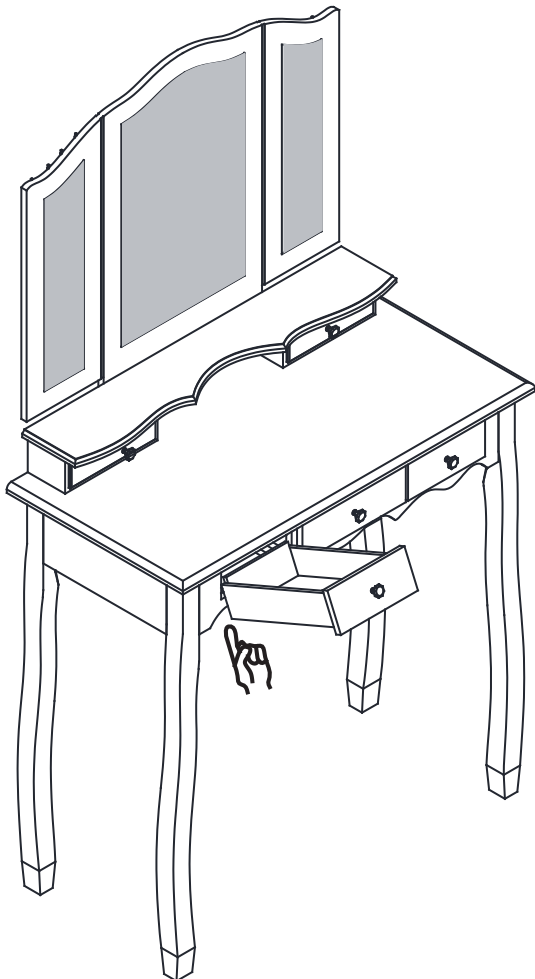


<b>O</b>	<b>x1</b>

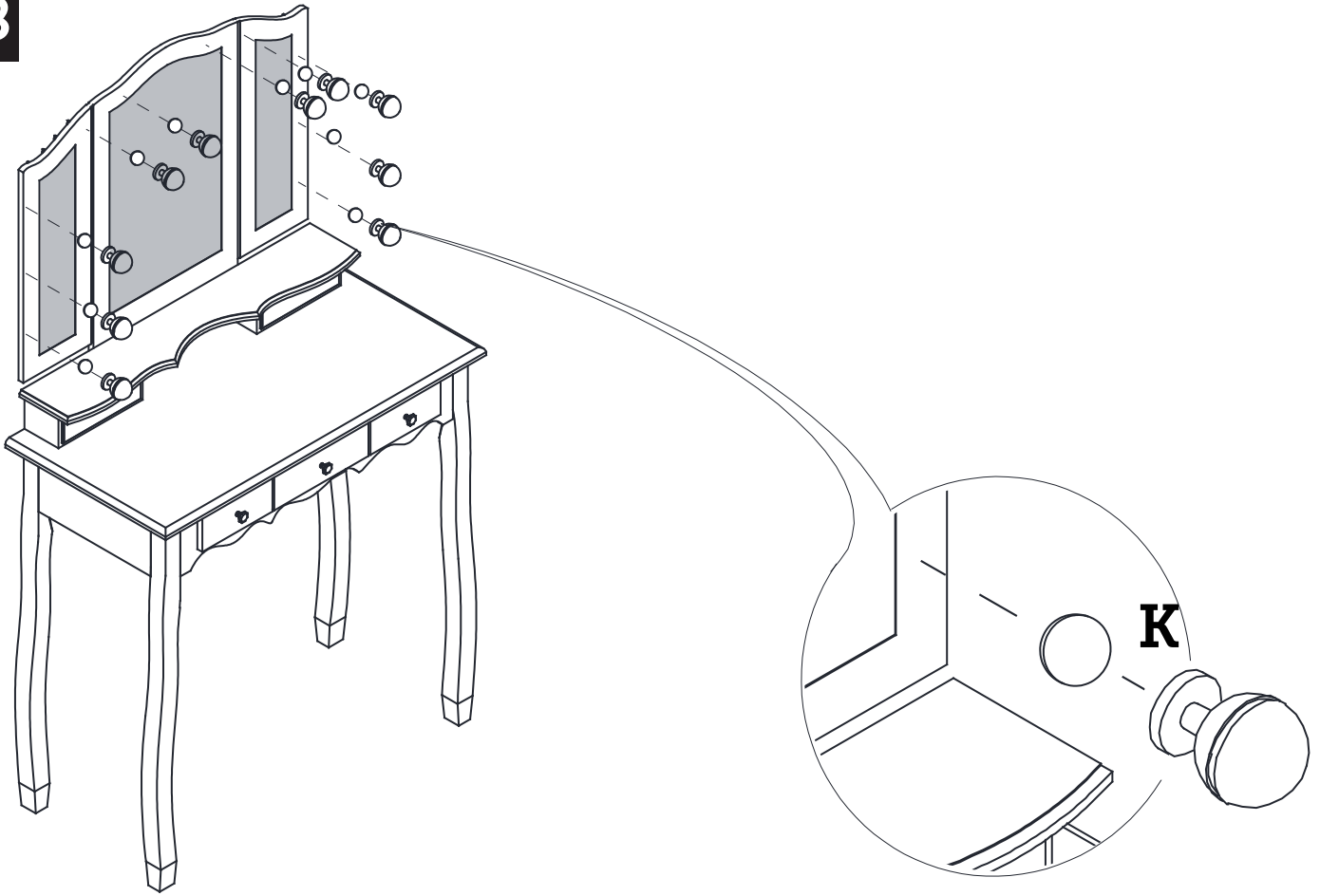
16



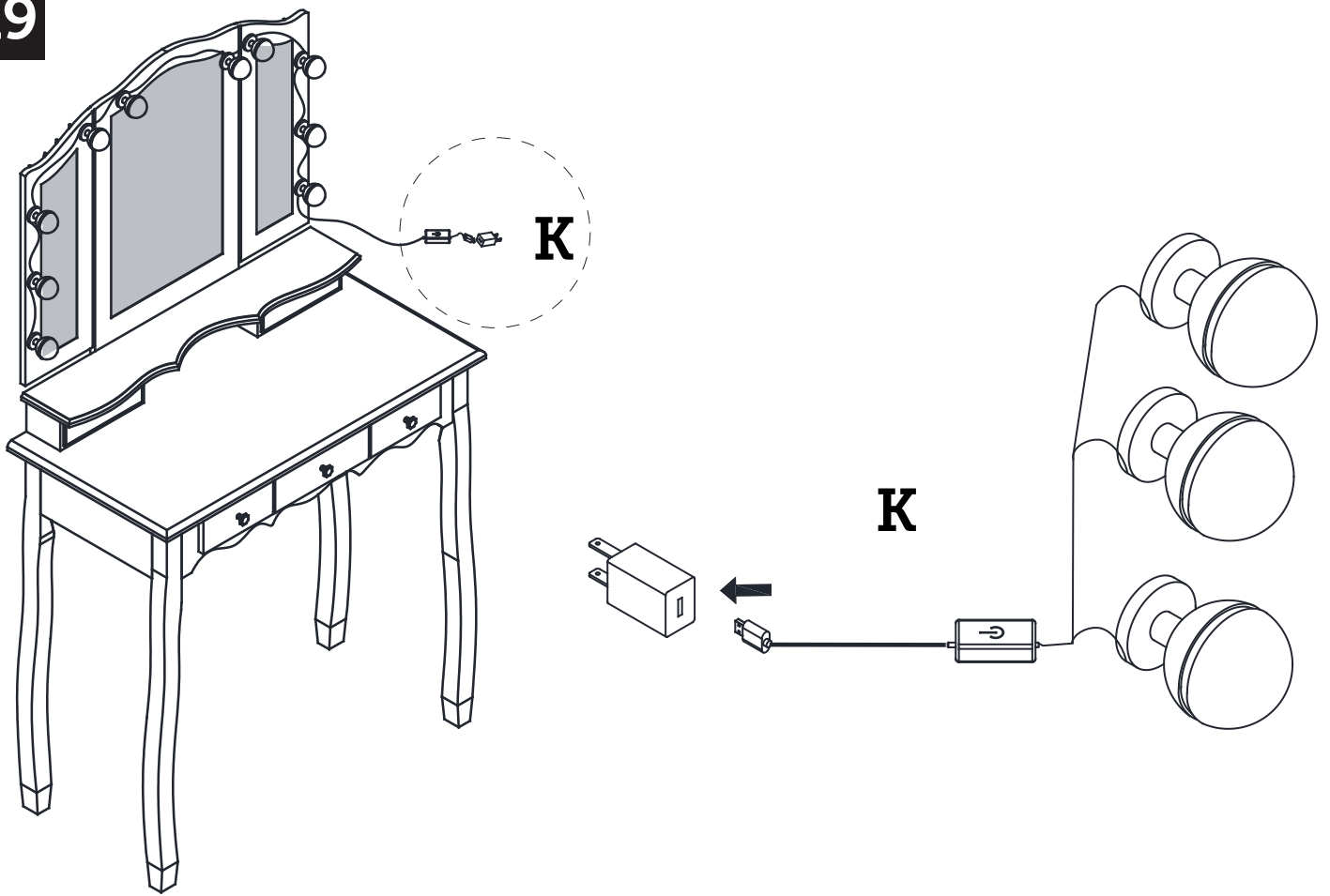
17



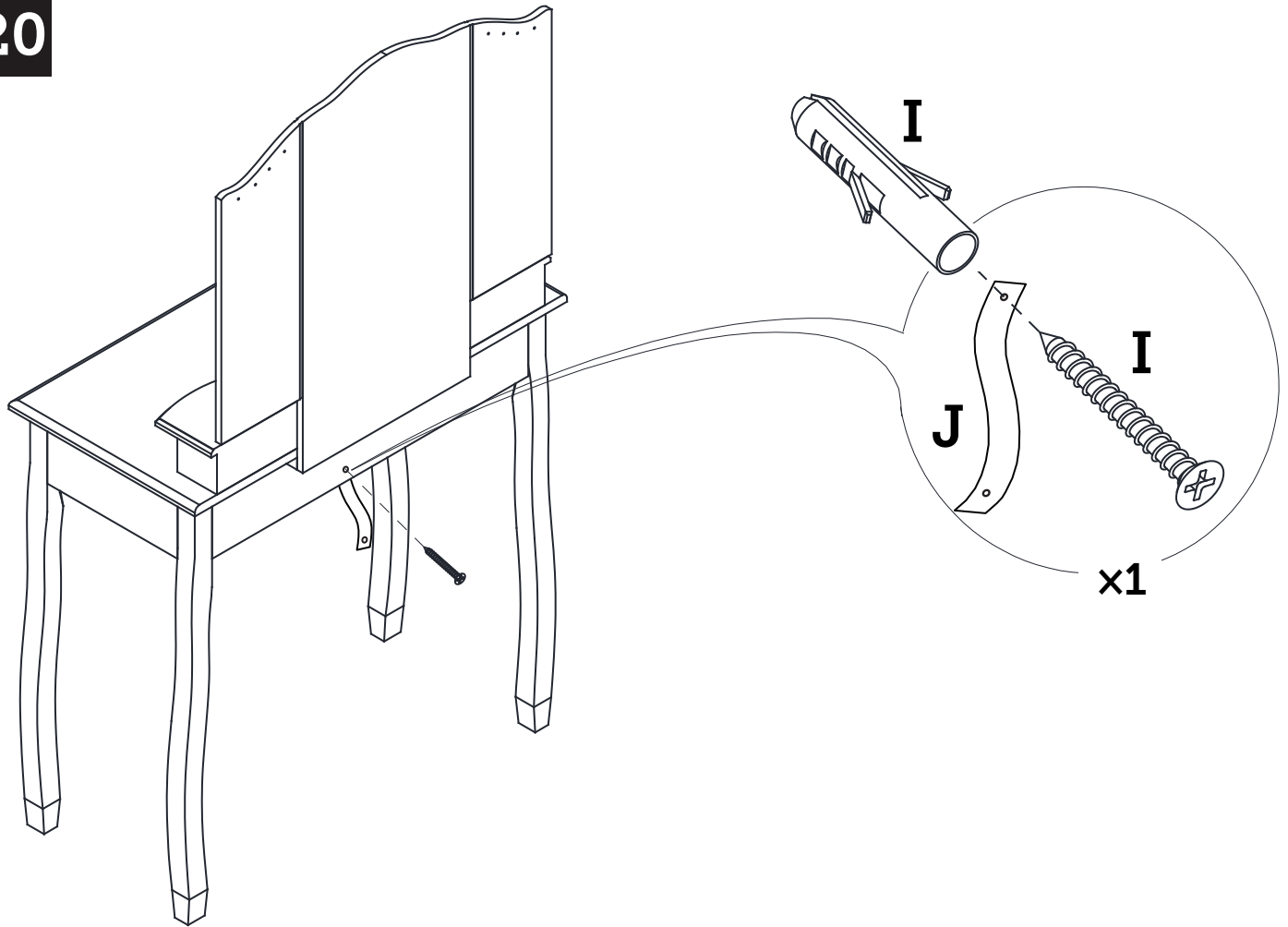
18



19



20



21

