

Indoor

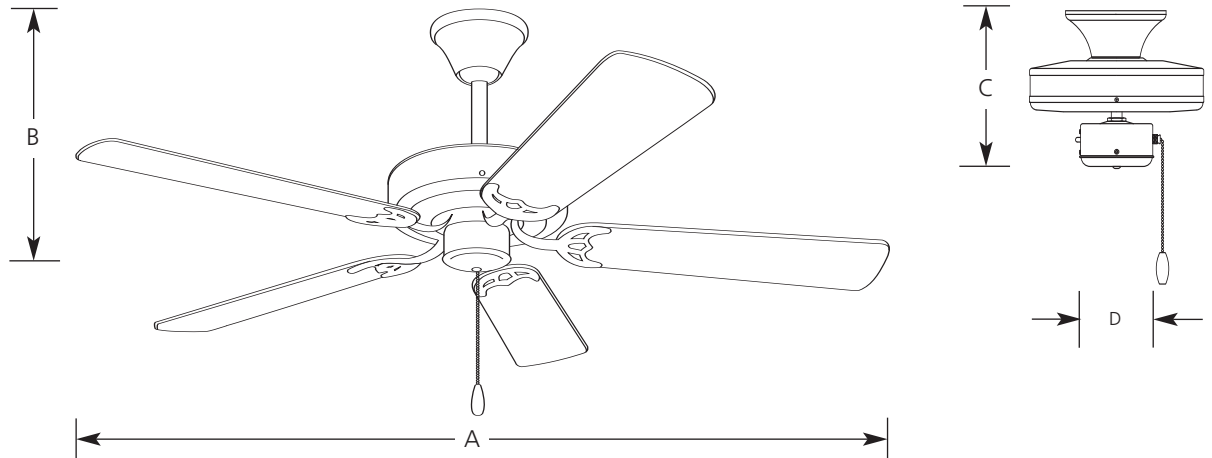
52"

Ceiling Fan

Energy Star

Type _____

	Finish						Dimensions (Inches)			
	Platinum Mist	Brushed Nickel	Polished Brass	White	Cobble-stone	Oxford Silver	A	B	C	D
							52	13-1/2	9-3/4	4
Blades	(-10W* = all white blades)			(-30W* = all white blades)						
Side 1	Cherry	Cherry	Walnut	White	Rose-wood	Cherry				
Side 2	Natural Cherry	Natural Cherry	Medium Oak	Washed Oak	Honey Pine	Medium Oak				

**Specifications:**General

- Energy Star certified
- Lifetime limited warranty

Blades

- Five blades
- Reversible
- 12 degree pitch
- Sure Connect blade attachment system
 - Screws preinstalled in blades for attachment to motor arms
 - Special guides align blades to motor arms
 - Preinstalled rubber isolation pads minimize vibration noise
- MDF blade material

Motor

- Triple capacitor speed control; manual reverse control
- 153mm dia x 14.5mm high
- Pull chain on brushed nickel is chromewith a maple fob, polished brass ispolished brass with a medium oak fob and polished brass with white fob ,white is chrome with a whitefob, and all the rest have antique brasschains with oak fob's.

Mounting

- Dual ceiling mounting on downrod, or close to ceiling
- A 3/4" x 4-1/4" downrod is included. Longer accessory downrods can be ordered separately
- Standard canopy designed for sloped ceilings up to 45 degrees (12:12 ceiling pitch)
- Oversized, textured die cast hanger ball reduces noise and wobble vibrations
- Canopy covers standard recessed 4" octagonal outlet box. Note: An outlet box assembly designed for fan installation is required (not included)
- Mounting hardware is included

Electrical

- 80" lead wires included
- Prewired
- 1/8" IP accessory adapter

Labeling

- UL listed

