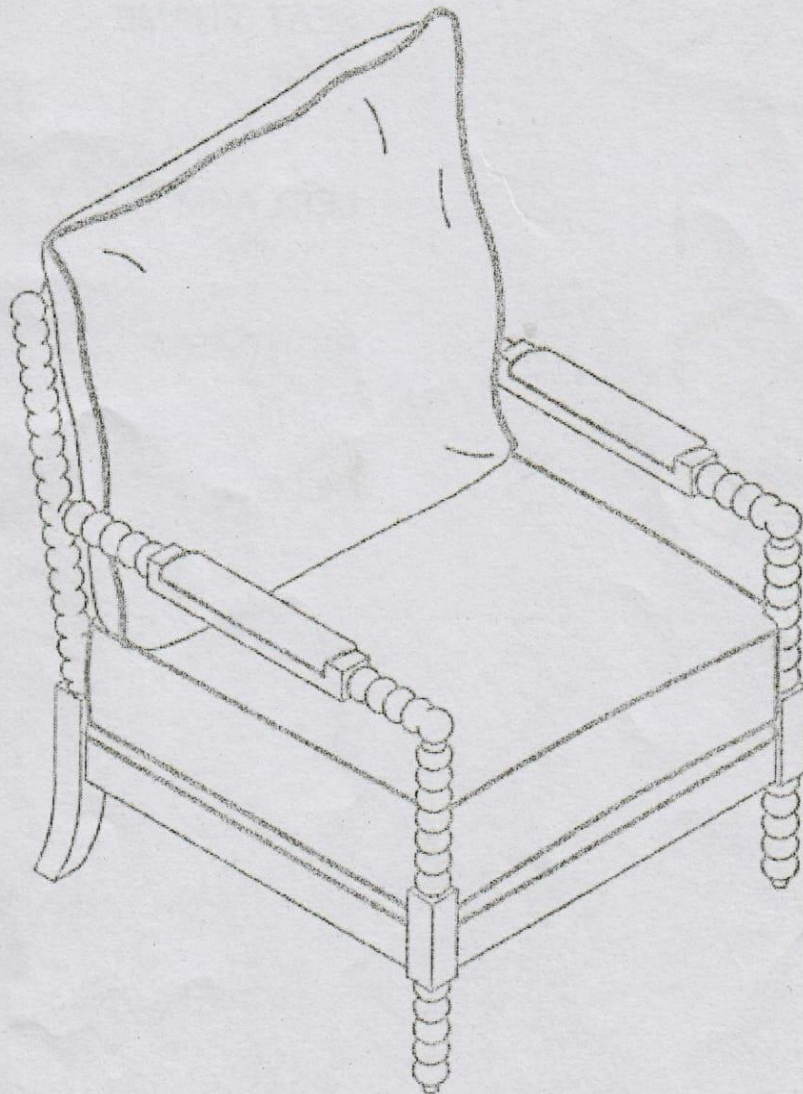








ACCENT CHAIR














ASSEMBLY INSTRUCTION

PARTS IDENTIFICATION

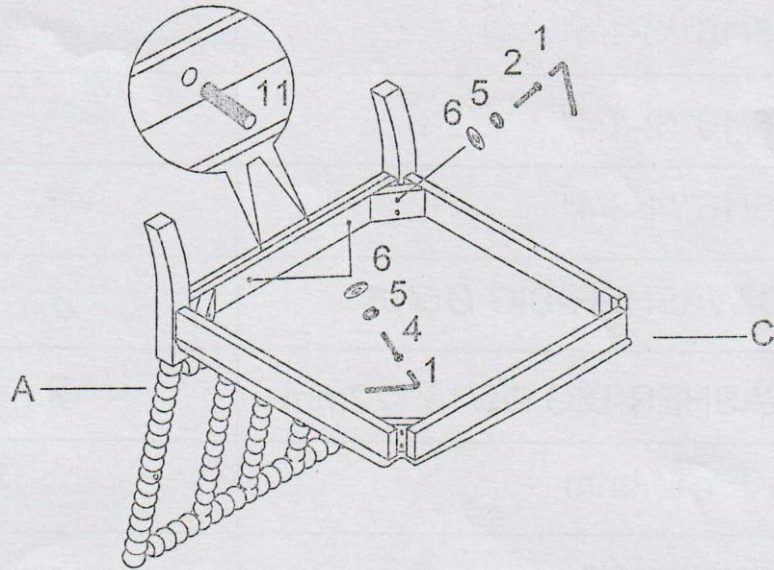
- | | | | |
|----|---|--------------|-----|
| A. |  | CHAIR BACK | 1PC |
| B. |  | SEAT CUSHION | 1PC |
| C. |  | SEAT FRAME | 1PC |
| D. |  | LEFT ARM | 1PC |
| E. |  | RIGHT ARM | 1PC |
| F. |  | PILLOW | 1PC |

ASSEMBLY INSTRUCTION

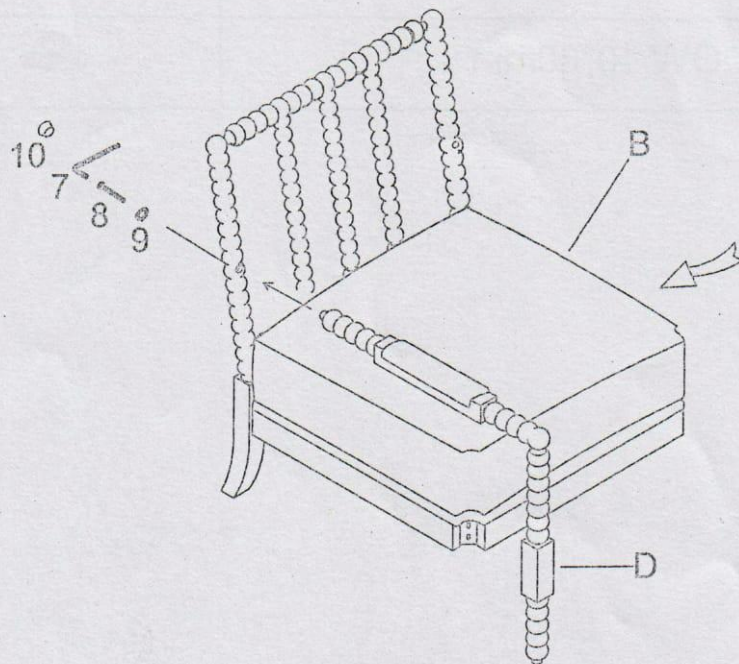
Z	HARDWARE IDENTIFICATION		
1	ALLEN KEY M5mm		1PC
2	BOLT Ø5/16" * 3-1/4"		4PCS
3	BOLT Ø5/16" * 2-1/4"		4PCS
4	BOLT Ø5/16" * 1-3/4"		2PCS
5	SPRING WASHER-BIG Ø5/16"		10PC
6	FLAT WASHER-BIG Ø5/16" * 22mm		10PCS
7	ALLEN KEY M4mm		1PC
8	BOLT Ø1/4" * 1-3/4"		2PCS
9	SPRING WASHER-BIG Ø1/4		2PC
10	WOOD CAP 14*7mm		2PC
11	WOOD DOW 10*30mm		2PC

ASSEMBLY INSTRUCTION

STEP 1

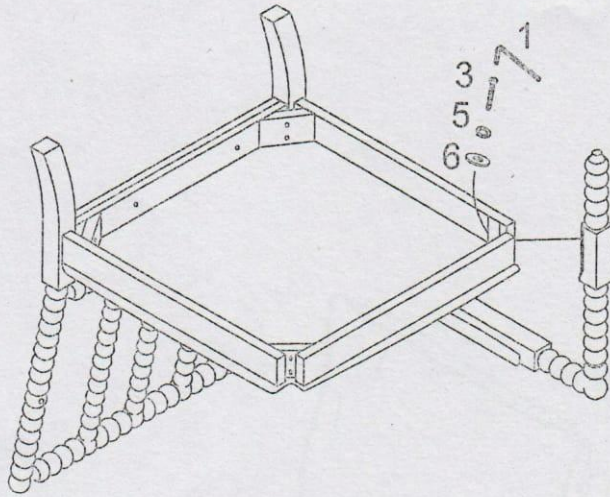


STEP 2

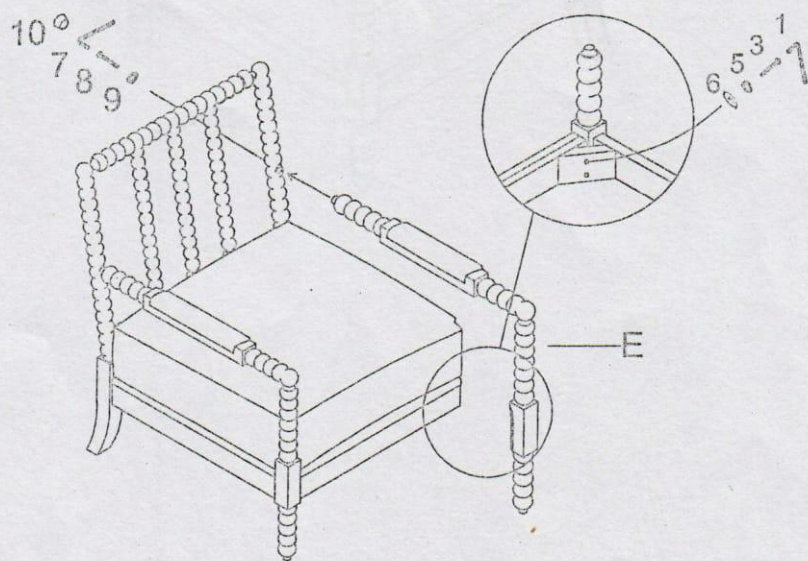


ASSEMBLY INSTRUCTION

STEP 3



STEP 4



ASSEMBLY INSTRUCTION

