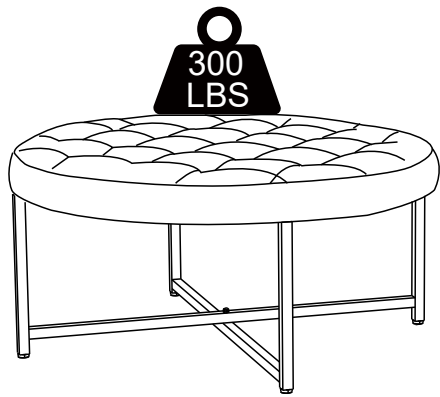


Thank you for your purchase!



Round Ottoman

ASSEMBLY INSTRUCTIONS

Before You Begin:

Please identify all component parts and hardware pieces required before you begin. Carefully remove all of the components from the packaging and set aside for assembly. Assemble on a soft surface to prevent scratching during assembly.

Caution:

Tighten all components securely before use. Failure to do so may result in personal injury. DO NOT use any sharp objects to open plastic wrapped components as damage to product or components may result.

Warning:





CHOKING HAZARD - Small Parts. Adult Assembly Required.






DO NOT ALLOW CHILDREN TO CLIMB ON FURNITURE

Serious or fatal injuries can occur from furniture tipping over. You must install Tipping Restraint Hardware (where included) to help prevent the unit from tipping and causing accidental injury, instability, death or damage. The tipping restraint is intended only as a safety measure, it is not a substitute for proper adult supervision.

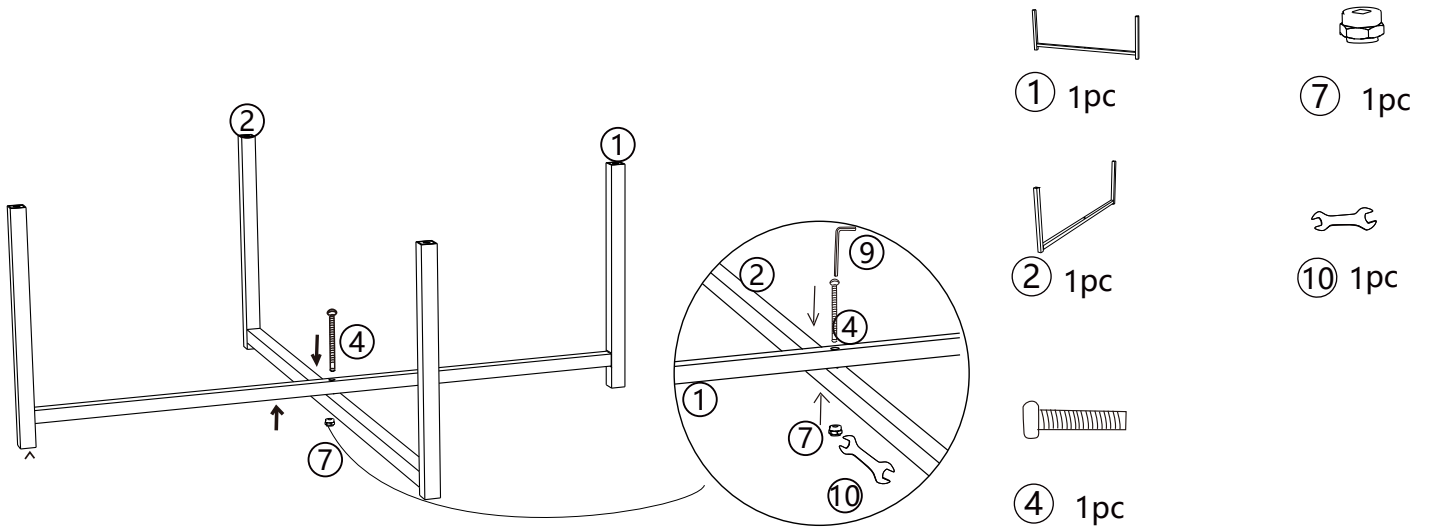
To help prevent furniture from tipping over it must be permanently attached to the wall. Anti-Tip Safety Wall Straps suitable for the unit weight and wall materials (if not included) should be purchased and installed.

PARTS

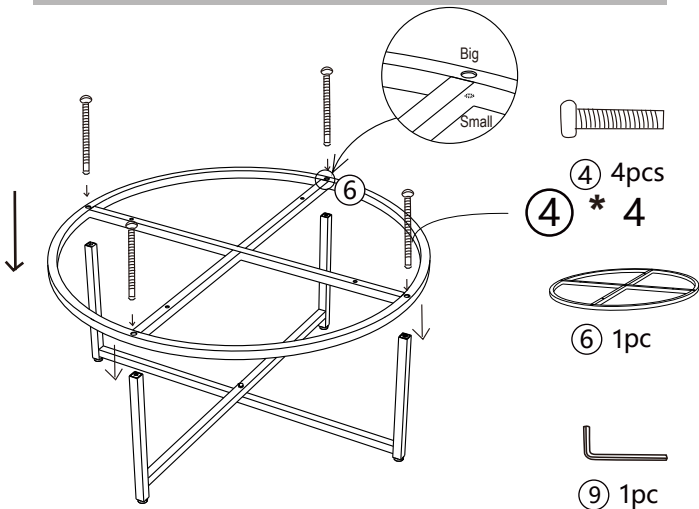
①	Long Side Frame		1
②	Short Side Frame		1
③	Seat		1
④	Screw	 M6X50mm	5
⑤	Screw	 M6X35mm	4

⑥	Round Frame		1
⑦	Nut		1
⑧	Adjustable Glides		4
⑨	Hex wrench		1
⑩	Wrench		1

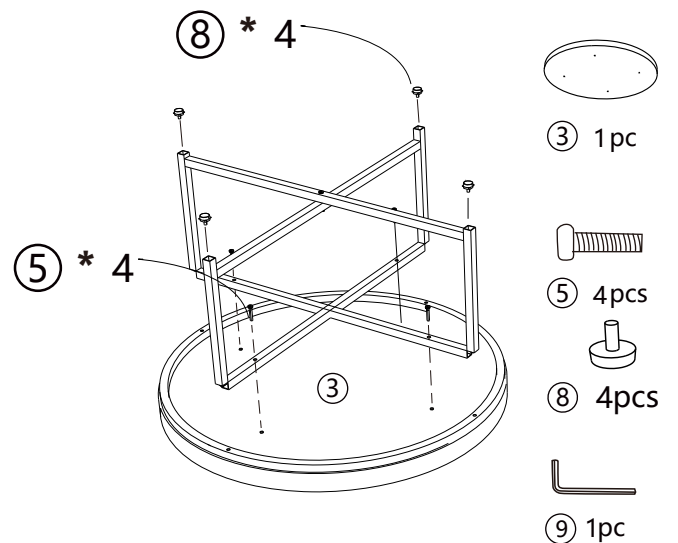
STEP 1



STEP 2



STEP 3



Quality and Safety Guidelines:

- Please follow the static and dynamic weight capacity limits provided on this item. If you are unsure of the weight capacities for this product, email us
- Please use this item on a stable, level surface only. All ottoman feet/legs/base should contact the flooring surface when in use. Do not use this item if any instability is detected.
- Please take care to keep the ottoman stationary when lowering yourself into a seated position in this item.
- Please inspect this product regularly to make sure there are no damaged or worn parts. Also inspect to make sure all hardware is tightened correctly and securely. For inspection instructions, please email
- For maintenance instructions and replacement parts, please email us
- If any parts are damaged or worn, please stop using the product. Repair this product with manufacturer supplied parts only.
- This item is intended as an ottoman only, do not climb or stand on this item.
- This ottoman is not intended for significantly reclined positions. To prevent accidental tipping, do not push backward or forward while seated.
- The product was designed for one person at a time.
- This item is intended for indoor use only.
- Store indoors away from moisture. For additional storage instructions, please email us