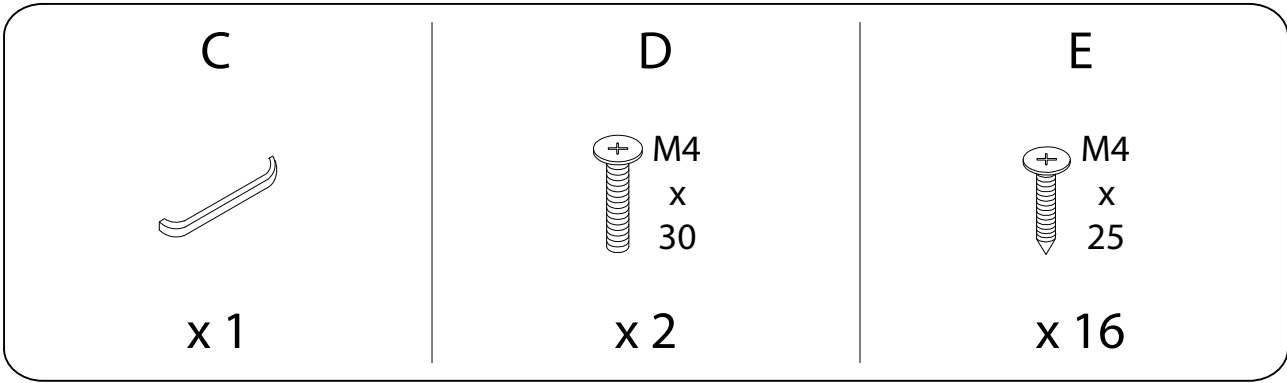
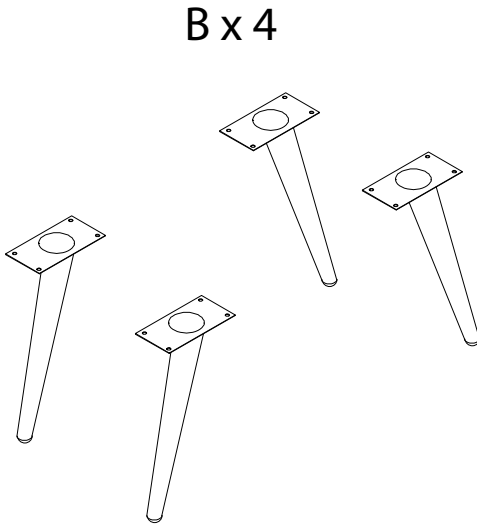
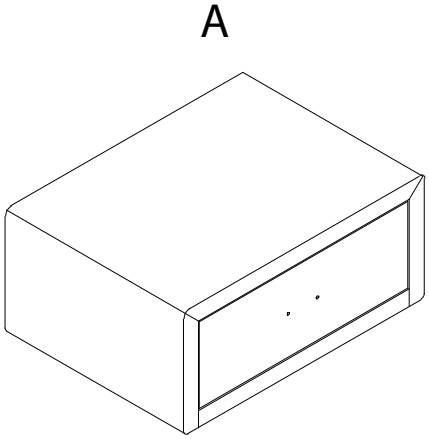
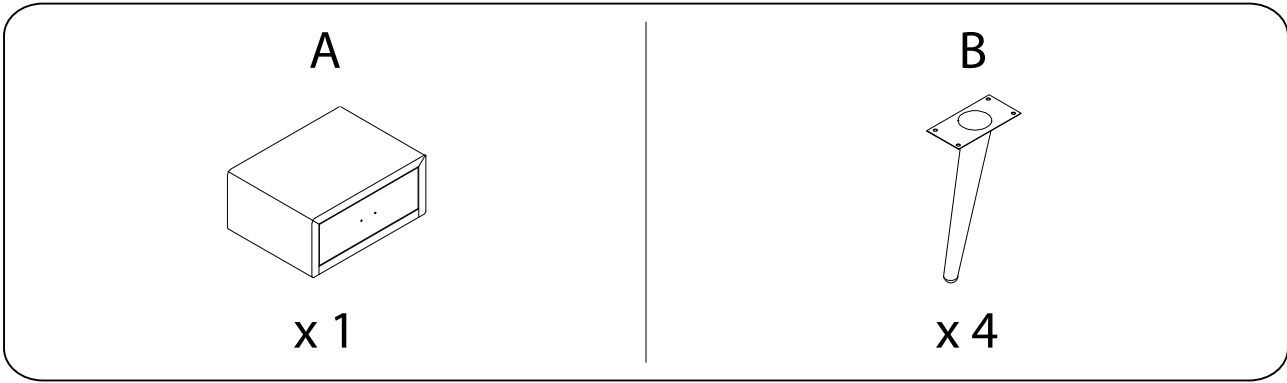
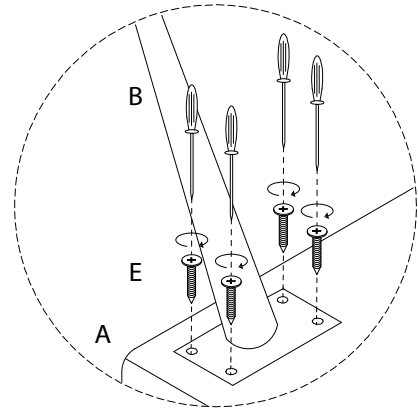
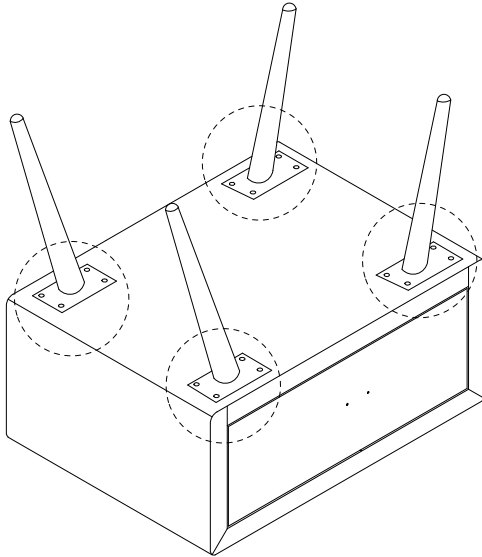
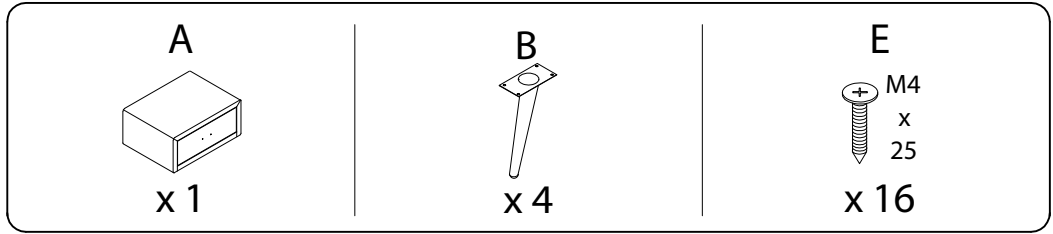


Assembly instructions for step 1/4:

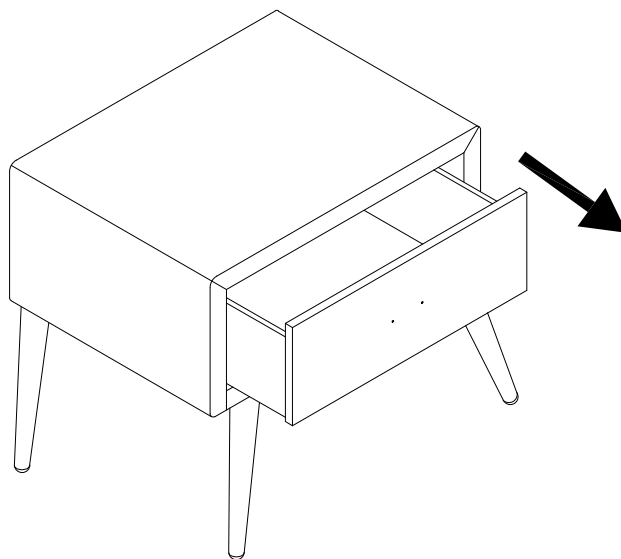
- Tools:** A screwdriver is shown as the required tool. A power drill is shown with a diagonal line through it, indicating it is not to be used.
- Warning:** A warning triangle with an exclamation mark is positioned to the right of the tool icons.
- Time:** A clock icon is shown with the text "15'" below it, indicating a 15-minute assembly time.
- Personnel:** A stick figure icon is shown with the number "1" below it, indicating that one person is required for assembly.



1



2



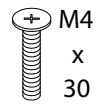
3

C



x 1

D



x 2

