

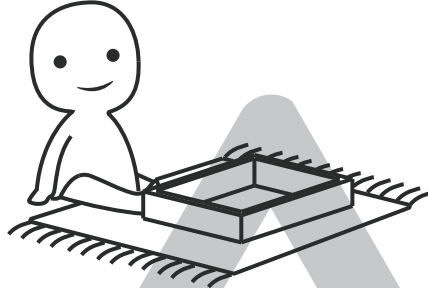
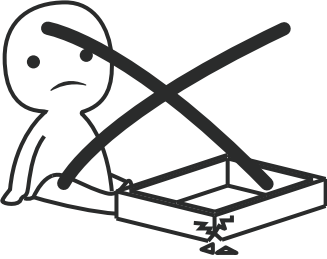
INSTALLATION

Product Manual



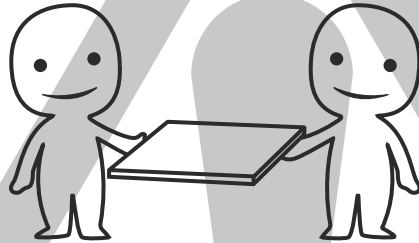
IMPORTANT INFORMATION!

please read the entire manual before starting to assemble and/or using this product follow the manual thoroughly and keep it for further reference.



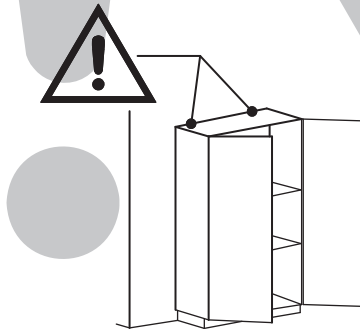
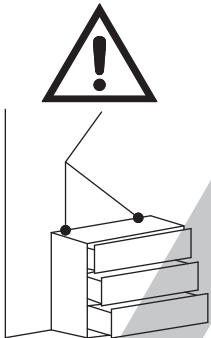
AVOID SCRATCHES!

In order to avoid scratching this furniture should be assembled on a soft layer-could be a rug.



IMPROVE EFFICIENCY !

Try to find a partner to install with you, which can speed up the installation efficiency and shorten the time.



ANTI-TOPPLE WARNING !

Overturnd furniture can cause serious or fatal crush injuries. To prevent tipping over, be sure to use the wall attachment, if not included with this product. Please purchase the wall attachment that fit your wall. If unsure, seek professional advice. Please read and follow each step of the instructions carefully.

IMPORTANT !

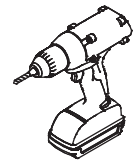
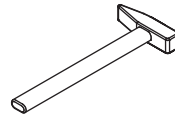
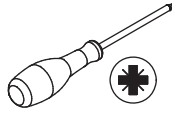
It is important that any product which is assembled using any kind of screw is re-tightened 2 weeks after assembly, and once every 3 months - in order to assure stability through-out the lifespan of the product.

For regular maintenance and cleaning of the product, for the frame, please use a rag dipped in neutral detergent to fully wipe it, and then dry it with a clean rag. For glass materials, wipe with a rag dampened with water glass cleaner, and then dry with a dry rag.

Do not use an electric screwdriver, and do not use too much force when installing, because the board is easy to break.

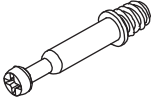


Please prepare the following tools




When installing, please carefully confirm whether each screw corresponds to the manual, accessories with similar shapes can be distinguished by size

A x 30



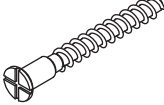
CRA0635A

B x 30



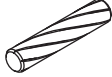
CRB1595A

C x 22



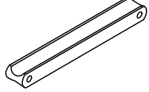
CRC0540A

D x 32

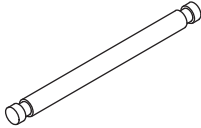


CRF0630A


E x 4



F x 2

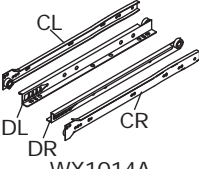


G x 8



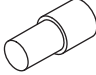
CRE0418A

H x 2

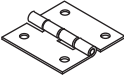


WX1014A

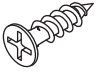
I x 4



J x 20




K x 80



CRD0314A

L x 8



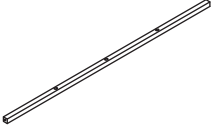
∅9 x 10 mm

M x 8

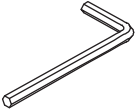


CRG0650A


N x 1



O x 1

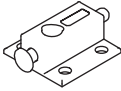


P x 3




CRG0620A


Q x 4



R x 6




T x 24




CRG0612A

U x 2



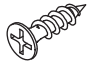
DGA861B

V x 2




DGA861C

W x 16




CRD3514A

X x 40




CRD3512A

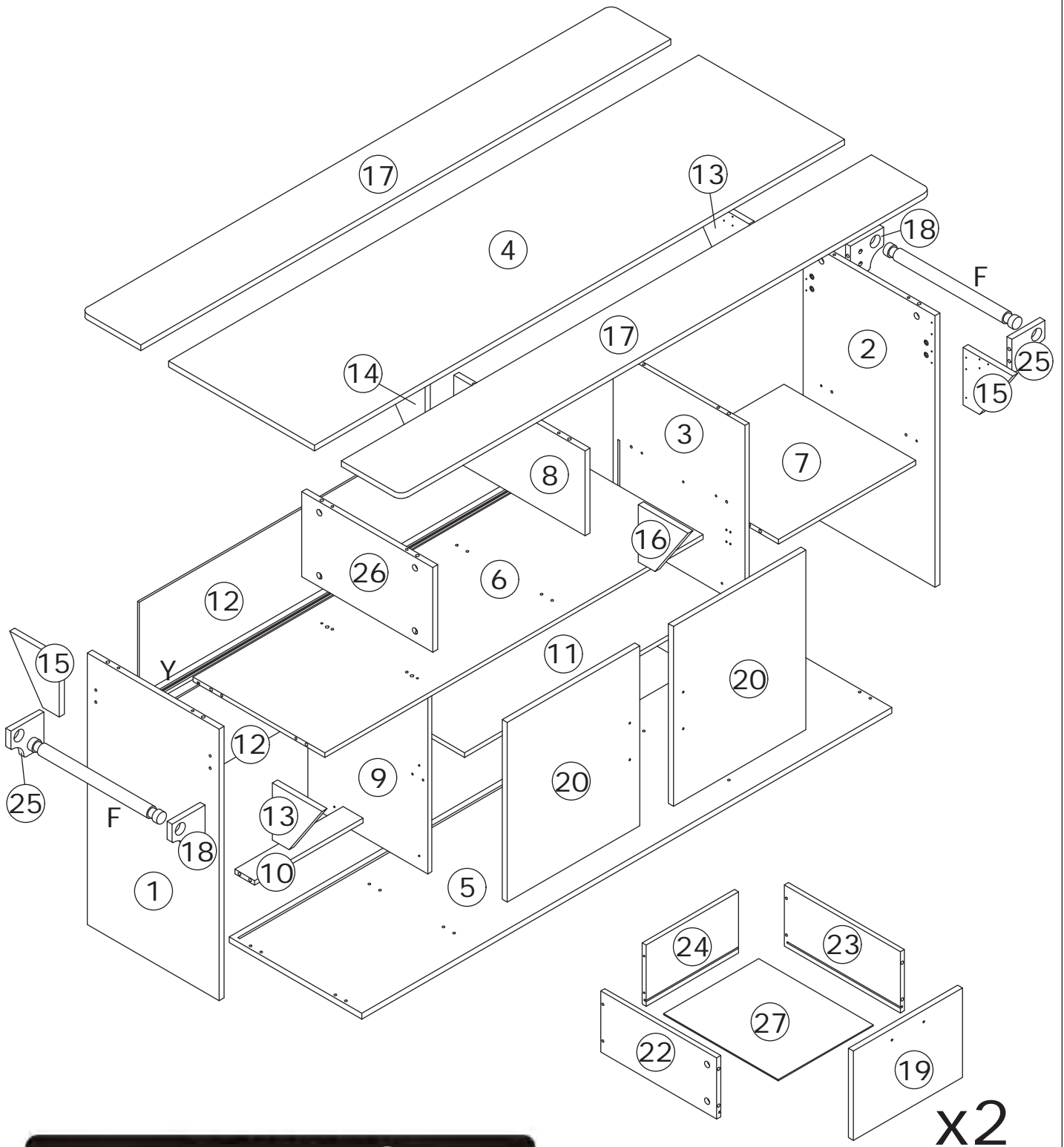
Y x 1



Z x 2



CRG0630A



x2

⚠ WARNING

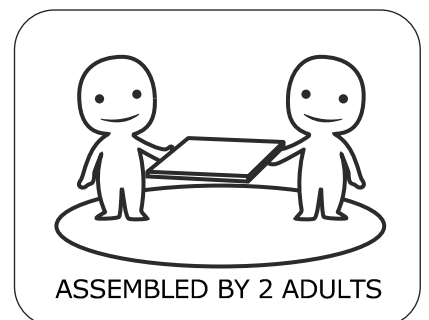


Children have died from furniture tipover. To reduce the risk of furniture tipover:

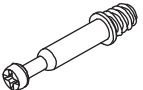
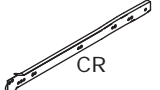
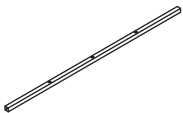
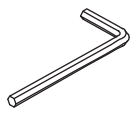

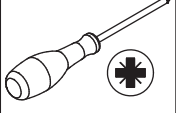


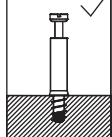
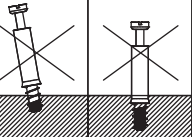
- ALWAYS install Anti-tip device provided.
- NEVER put a TV on this product.
- NEVER allow children to stand, climb or hang on drawers, doors, or shelves.
- NEVER open more than one drawer at a time.
- Place heaviest items in the lowest drawers.



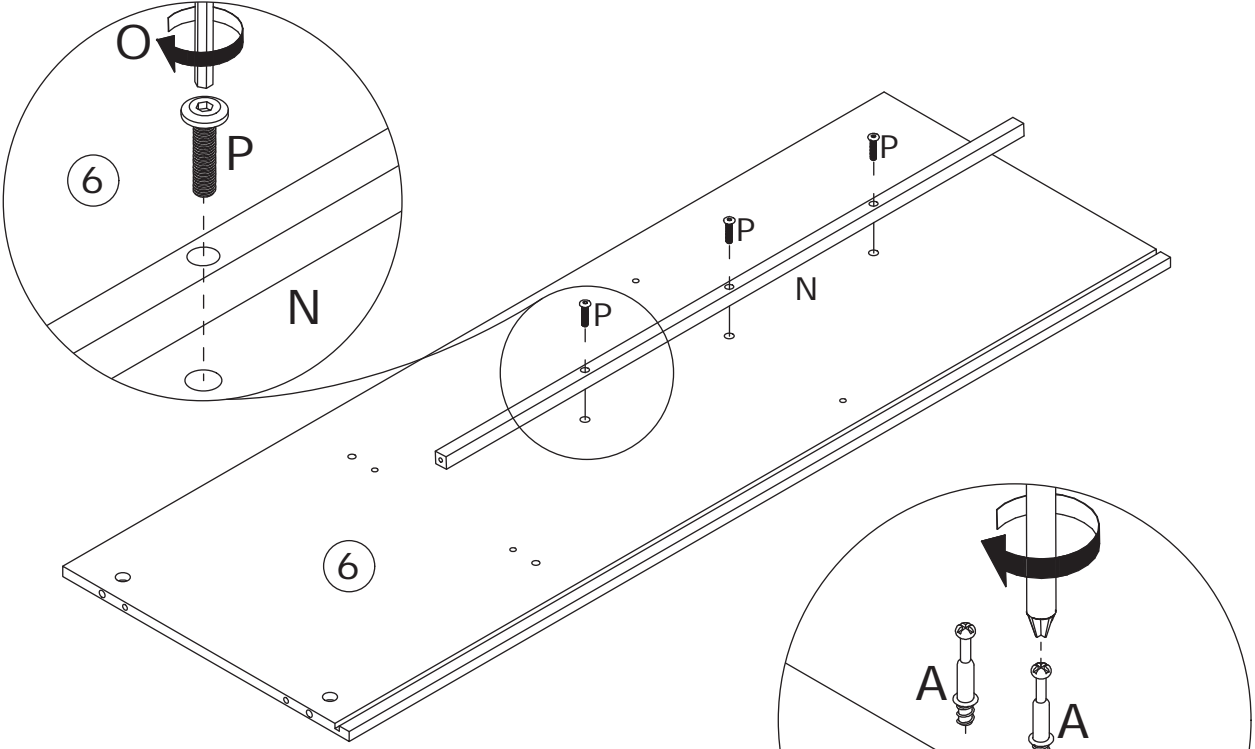
*This is a permanent label.
Do not remove!*



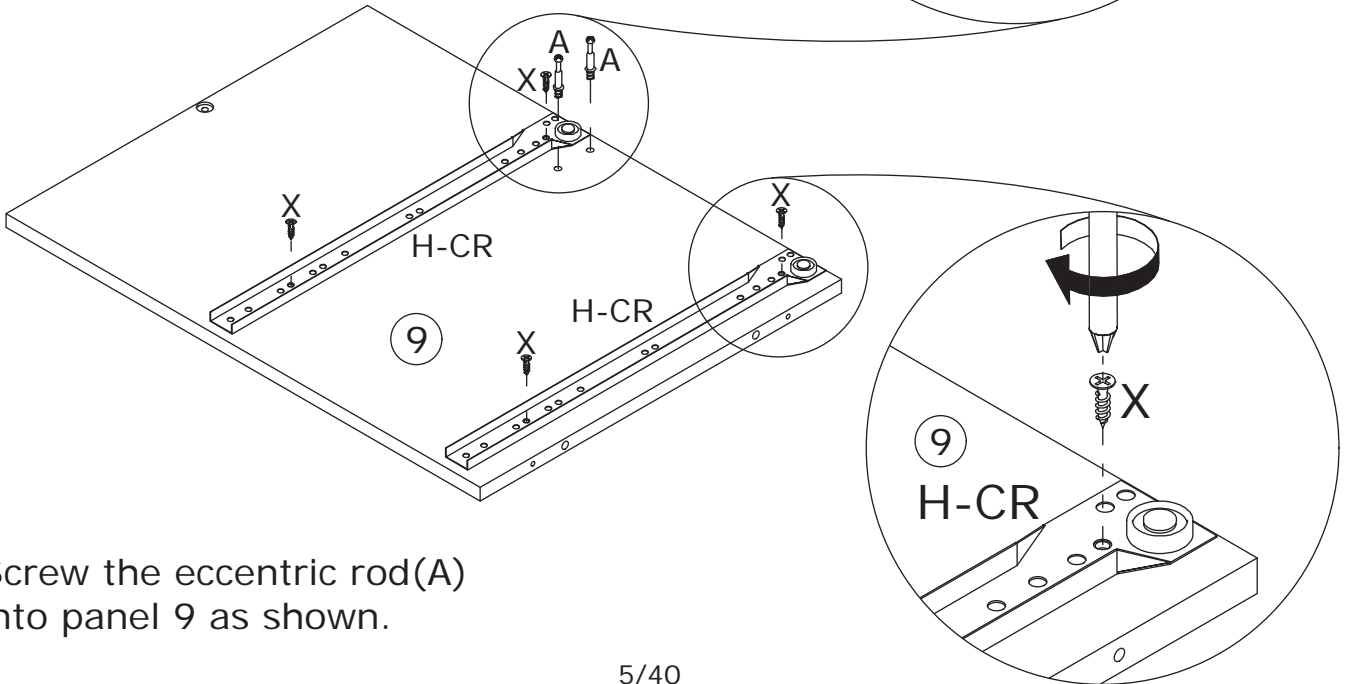
1

A x 2  CRA0635A	H x 2  WX1014A	N x 1 	O x 1 	P x 3  CRG0620A	
X x 4  CRD3512A	  				

Fix tube(N) to panel 6 using screw(P).

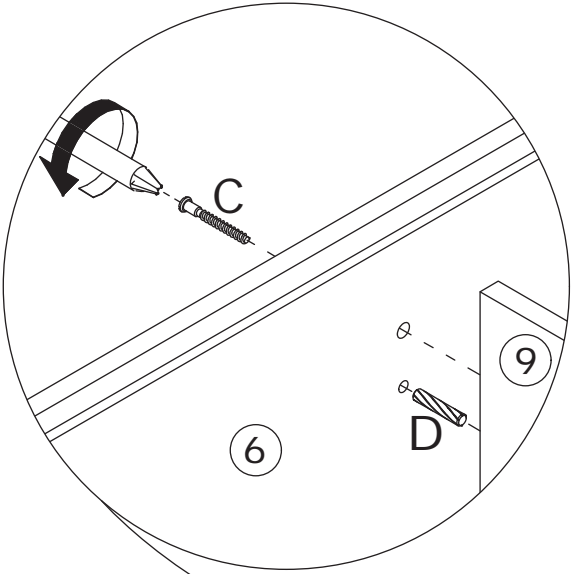
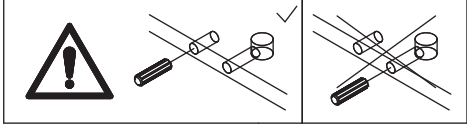
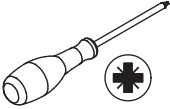
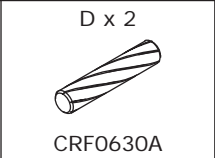


Secure the slide rail(H-CR) to panel 9 with screw(X) as shown.

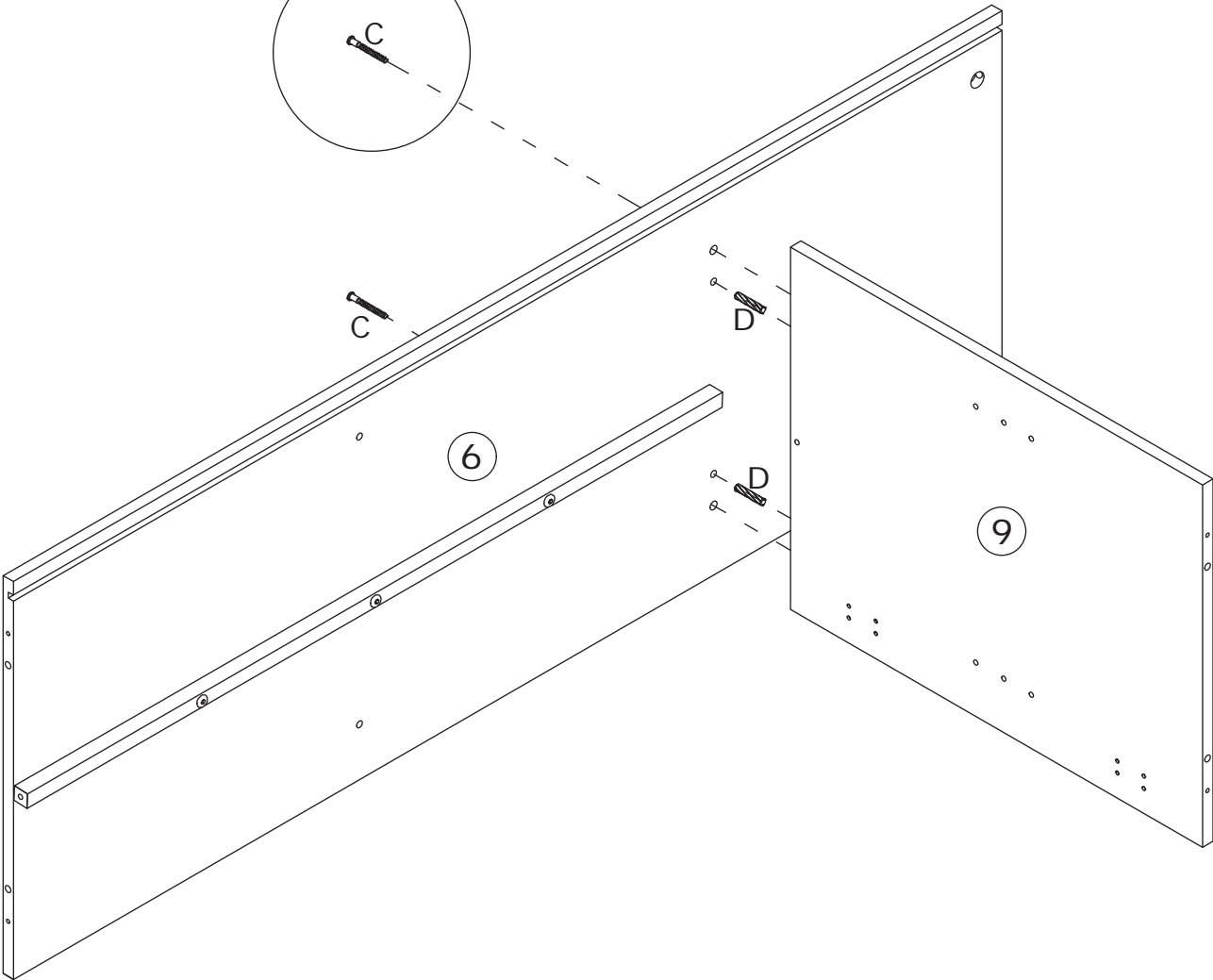
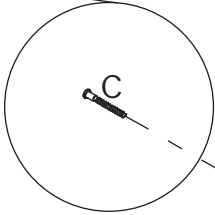


Screw the eccentric rod(A) into panel 9 as shown.

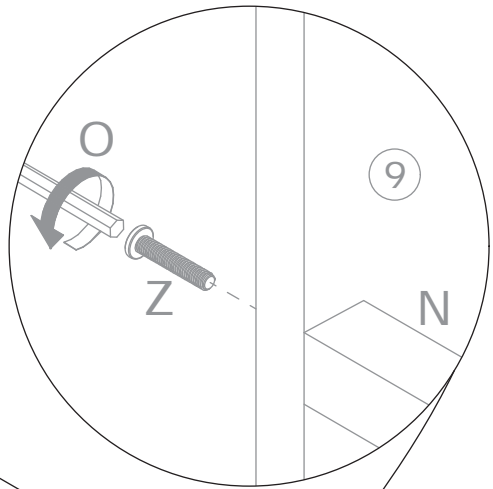
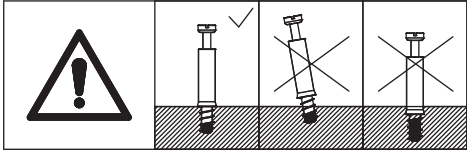
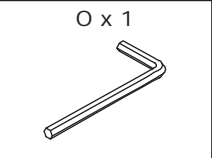
2



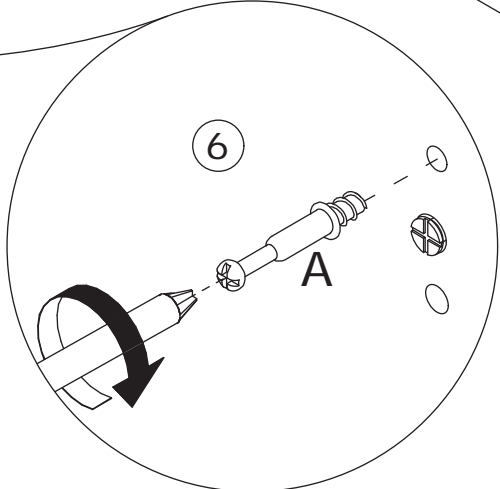
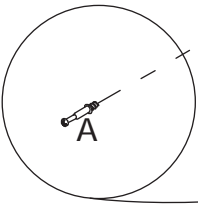
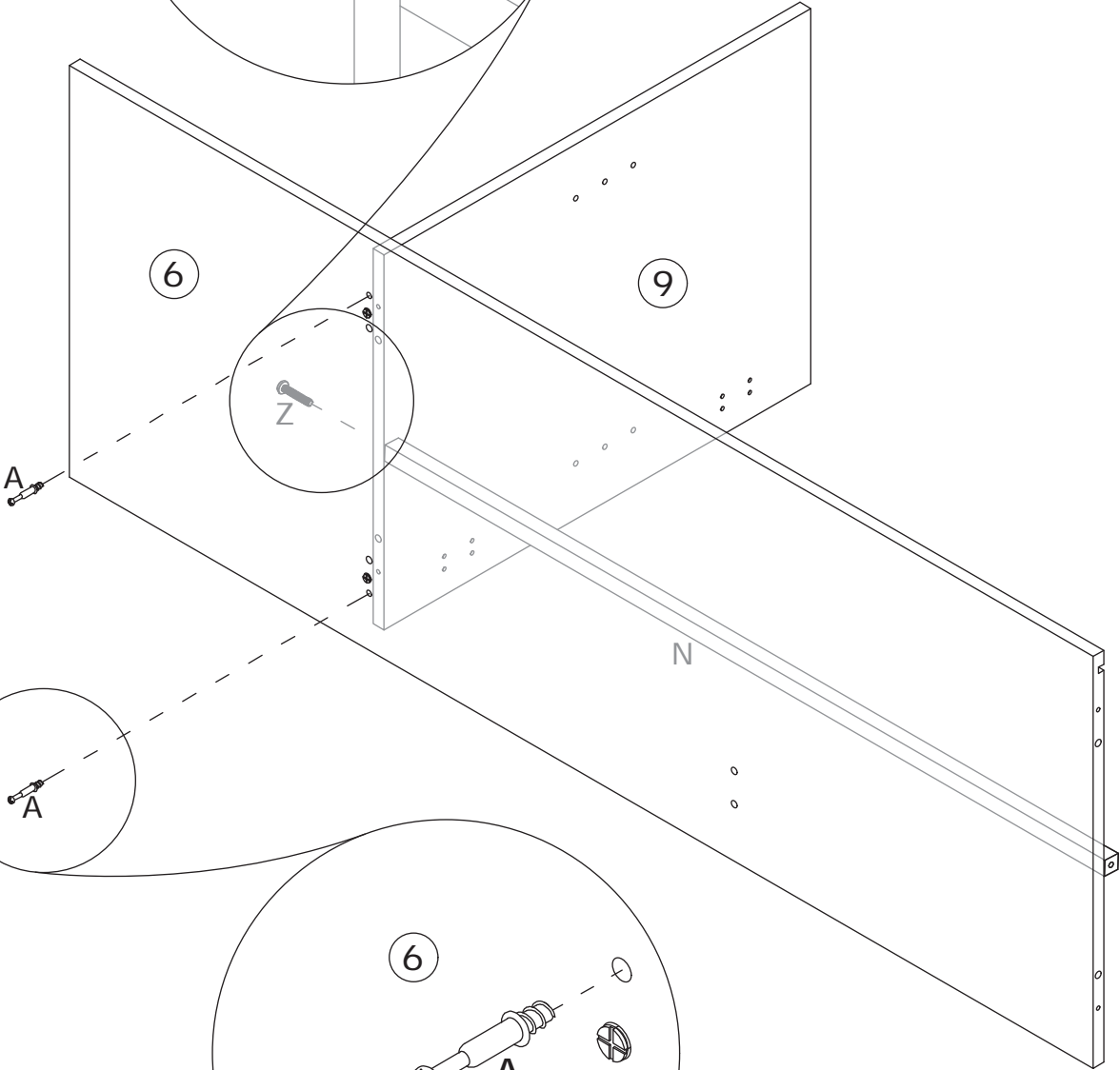
Attach panel 9 to panel 6 using dowel(D) and secure with screw(C) as shown.



3

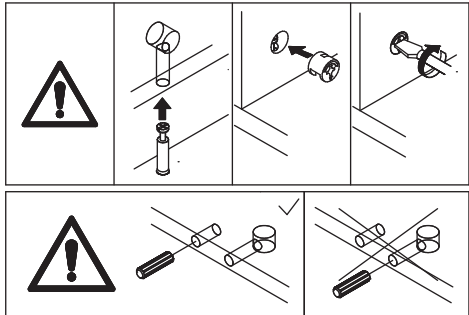
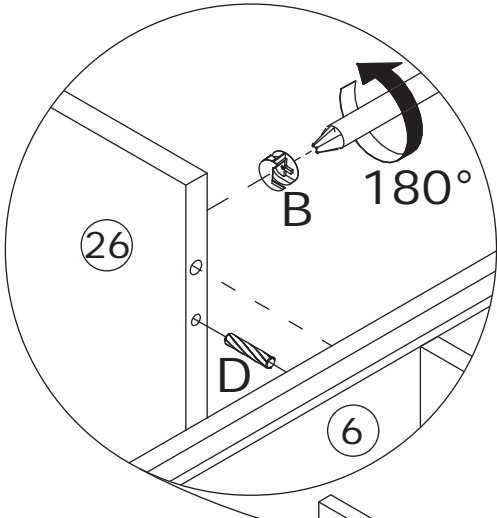
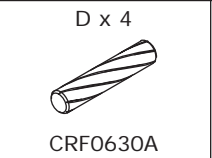
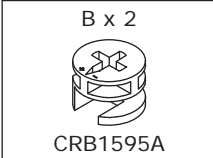


Screw the eccentric rod(A) into panel 6 as shown.

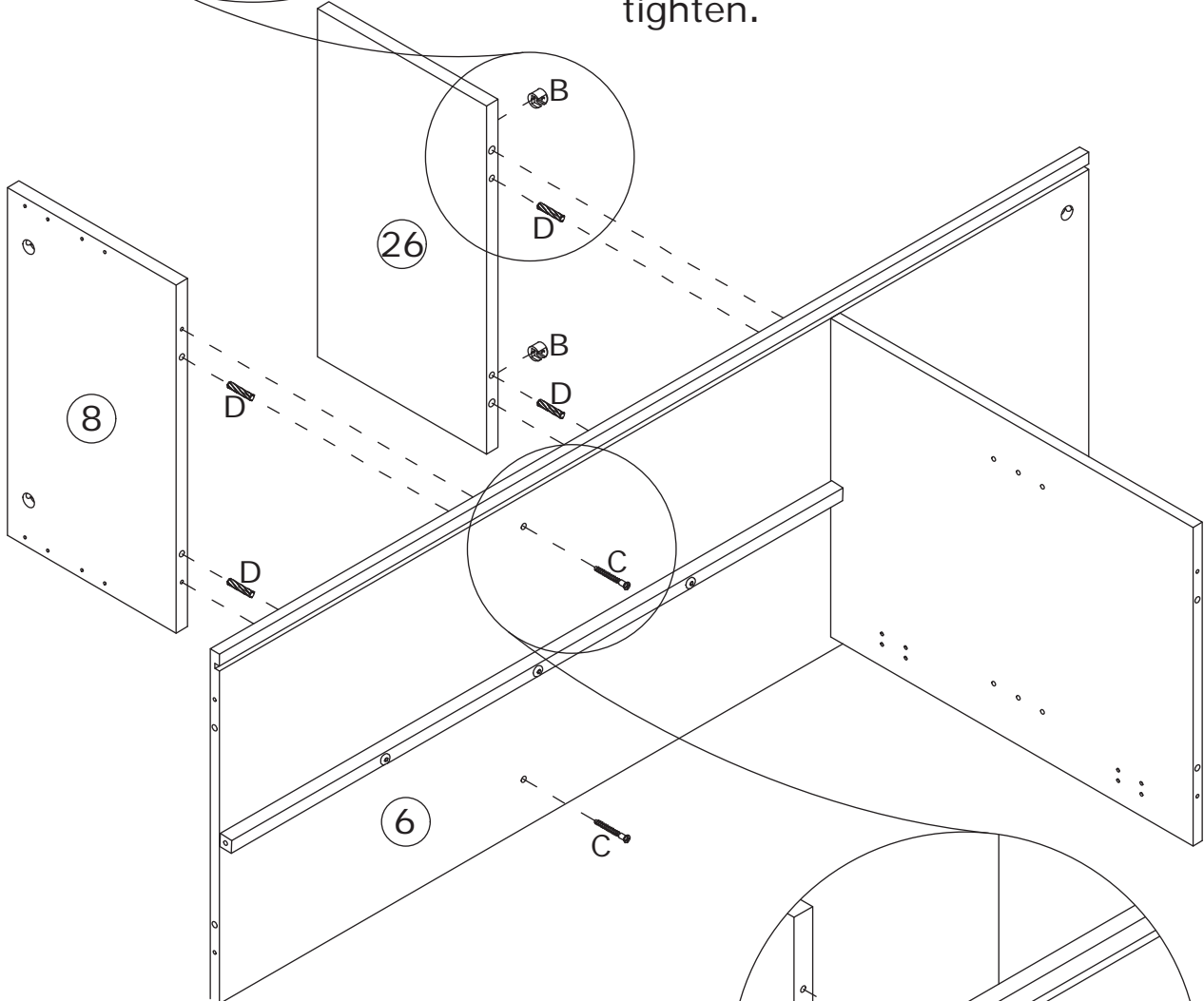


Fix panel 9 to tube(N) using screw(Z) as shown.

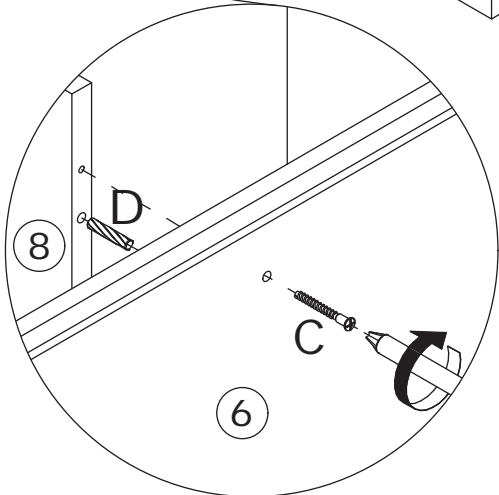
4



Attach panel 26 to panel 6 using wooden dowel(D), add cam lock(B) and turn clockwise to tighten.

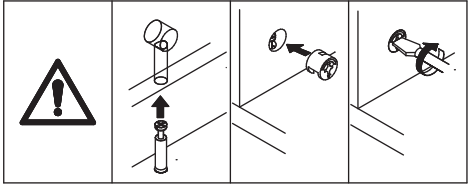


Attach panel 8 to panel 6 using wooden dowel(D) and fix with screw(C) as shown.

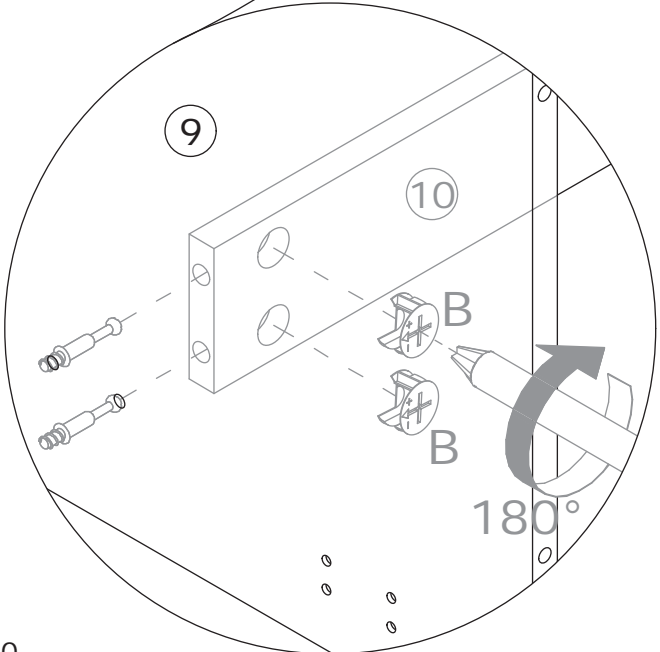
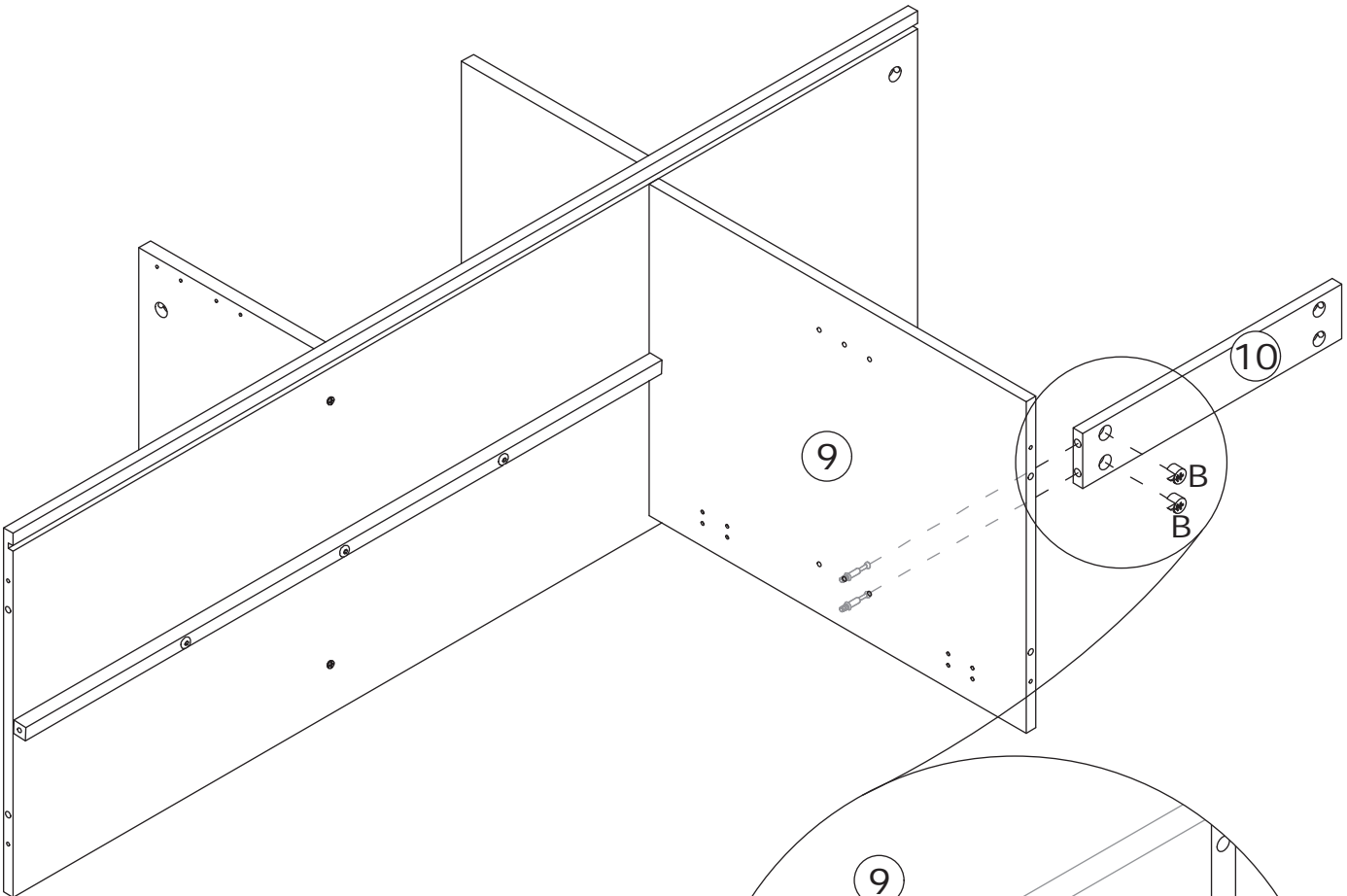


5

B x 2
CRB1595A



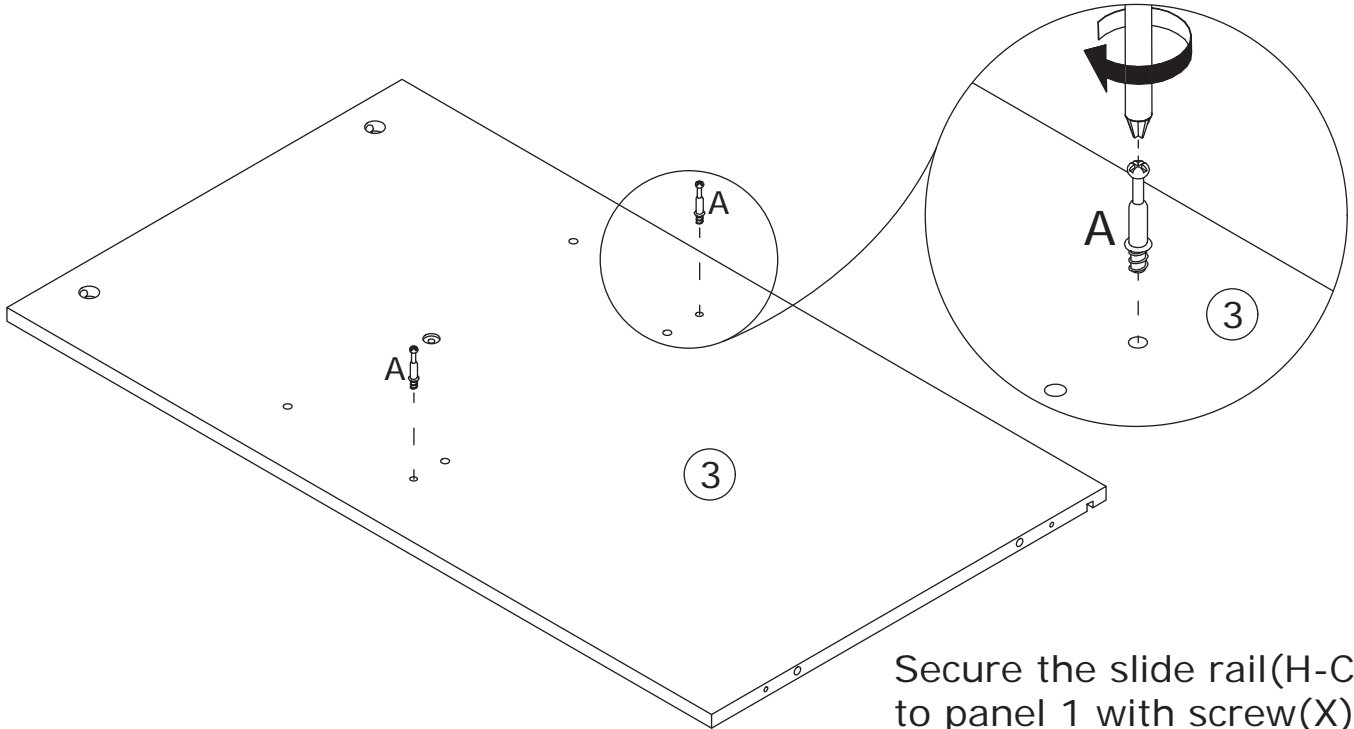
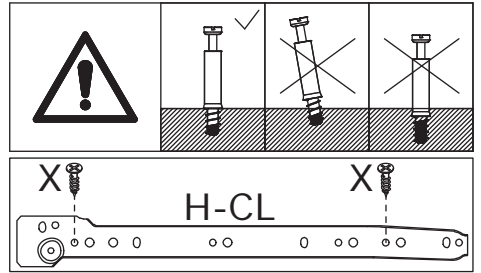
Attach panel 10 to panel 9, add cam lock(B) and turn clockwise to tighten.



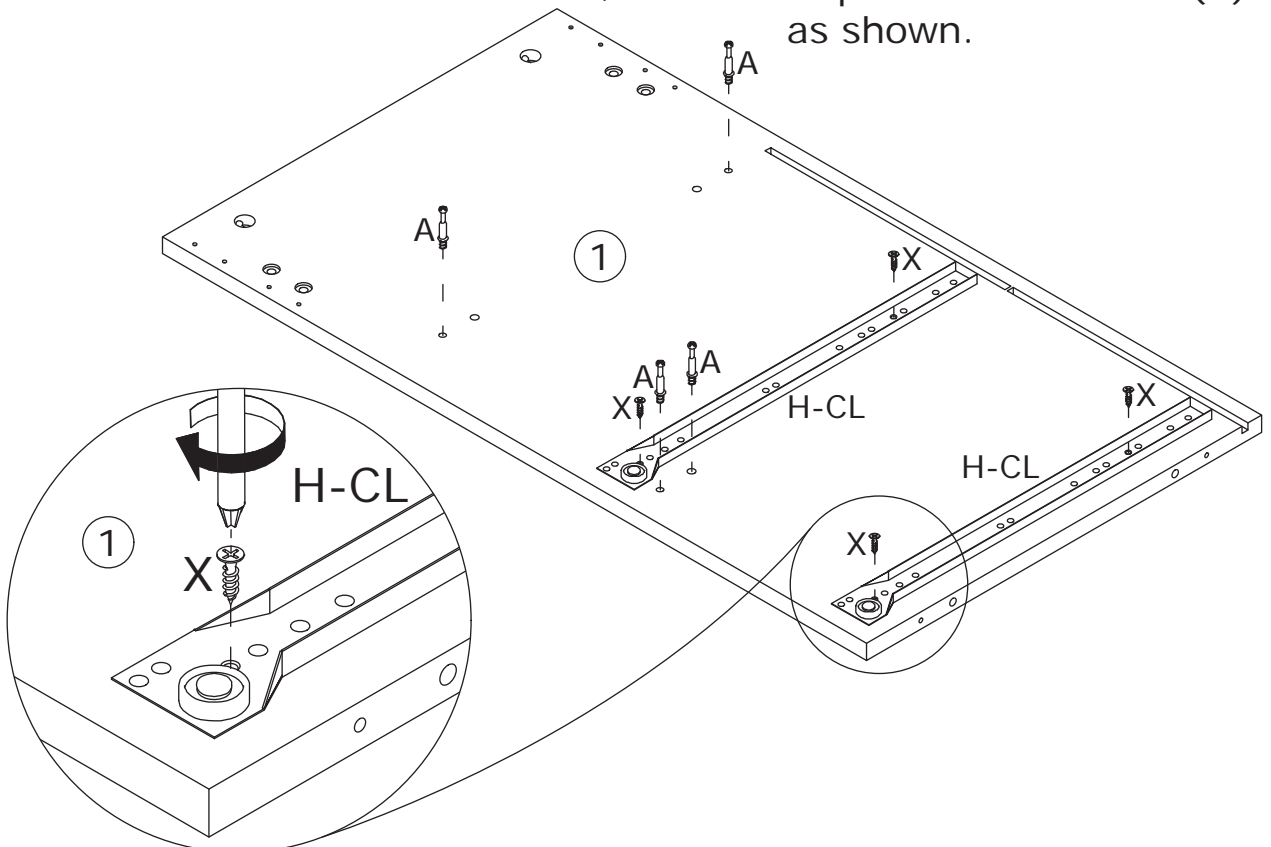
6



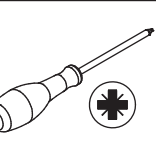
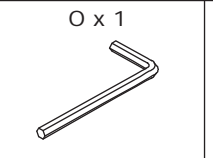
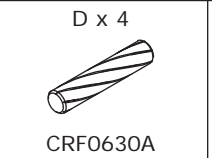
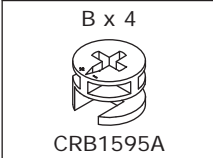
Screw the eccentric rod(A) into panel 1 and 3 as shown.



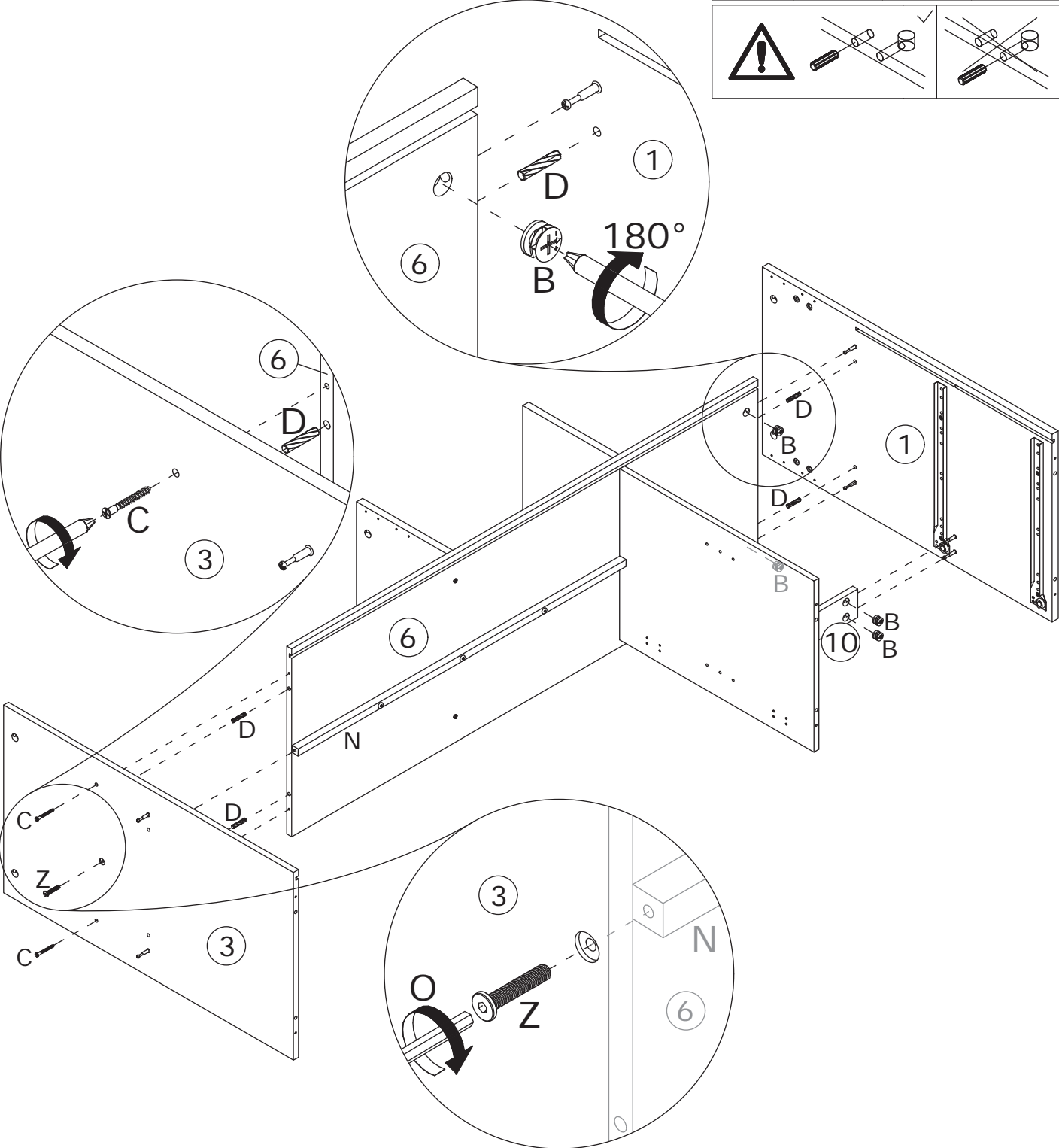
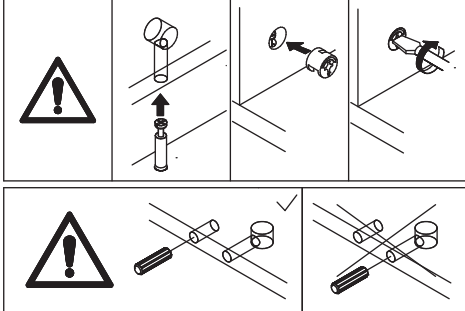
Secure the slide rail(H-CL) to panel 1 with screw(X) as shown.



7

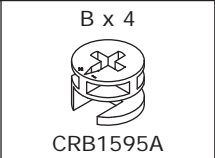


Attach panel 1 to the assembly unit using wooden dowel(D), add cam lock(B) and turn clockwise to tighten.

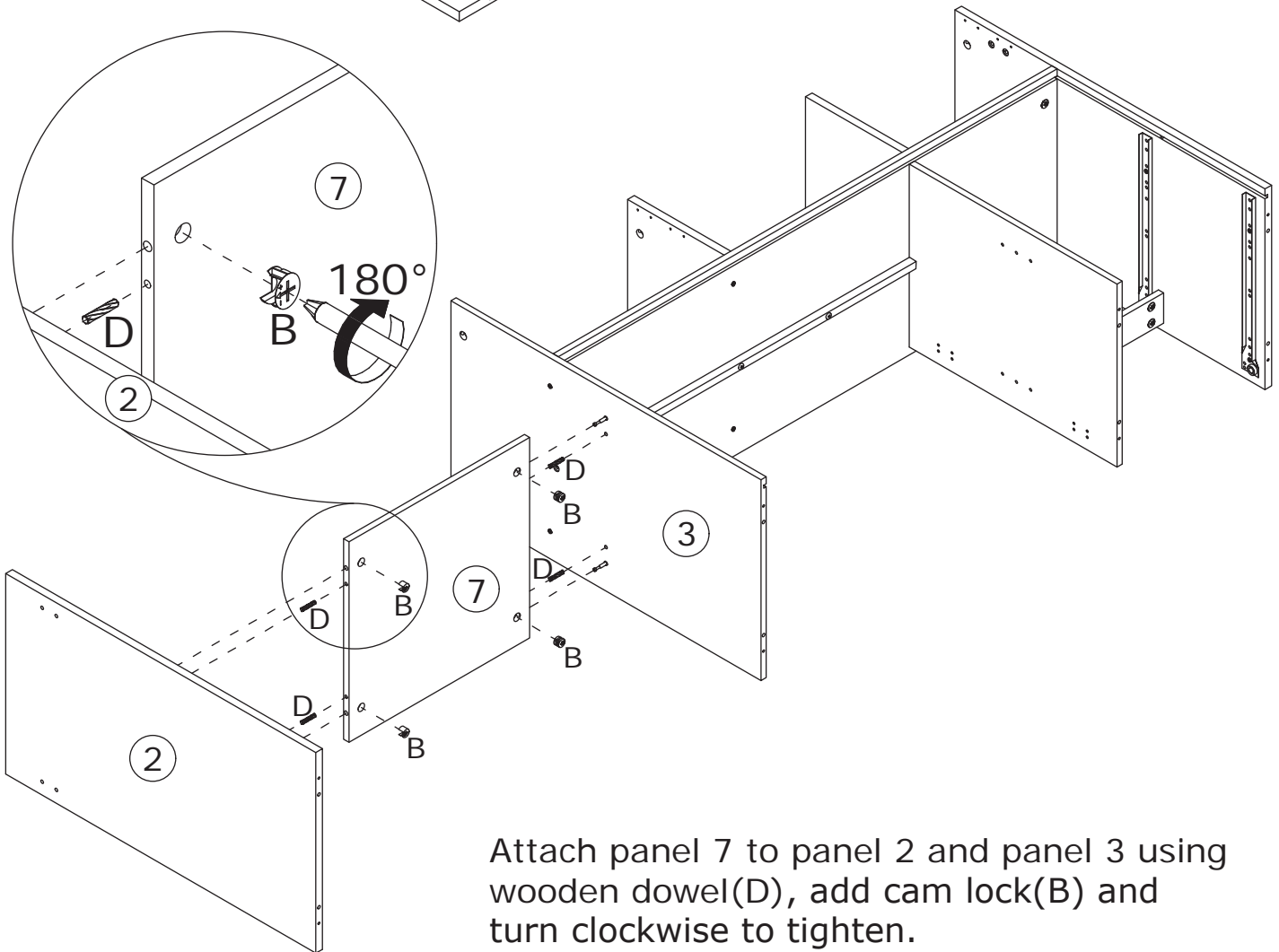
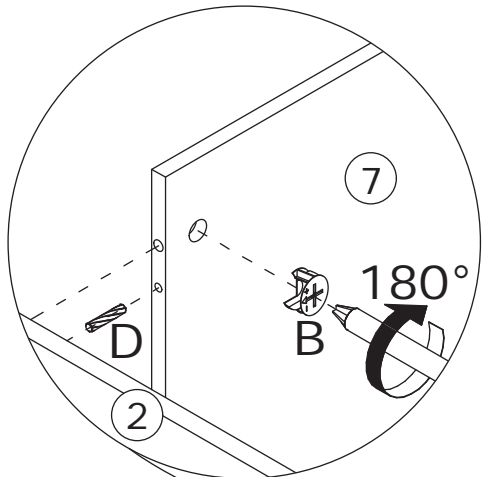
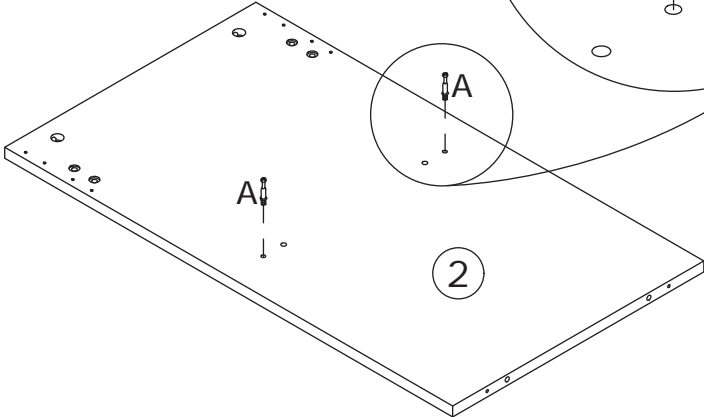
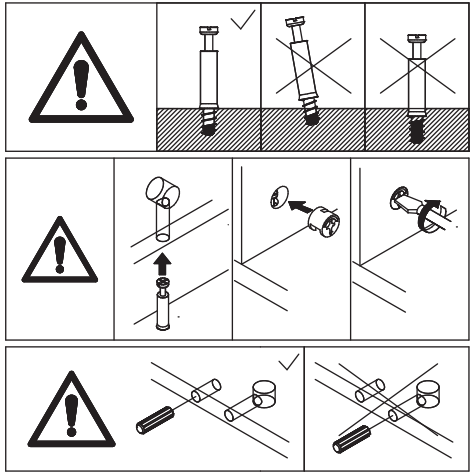
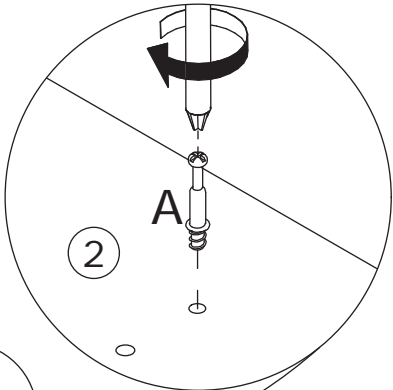


Attach panel 3 to panel 6 using wooden dowel(D) and fix with screw(C) as shown.
Fix panel 3 to tube(N) using the screw(Z) as shown.

8



Screw the eccentric rod(A) into panel 2 as shown.

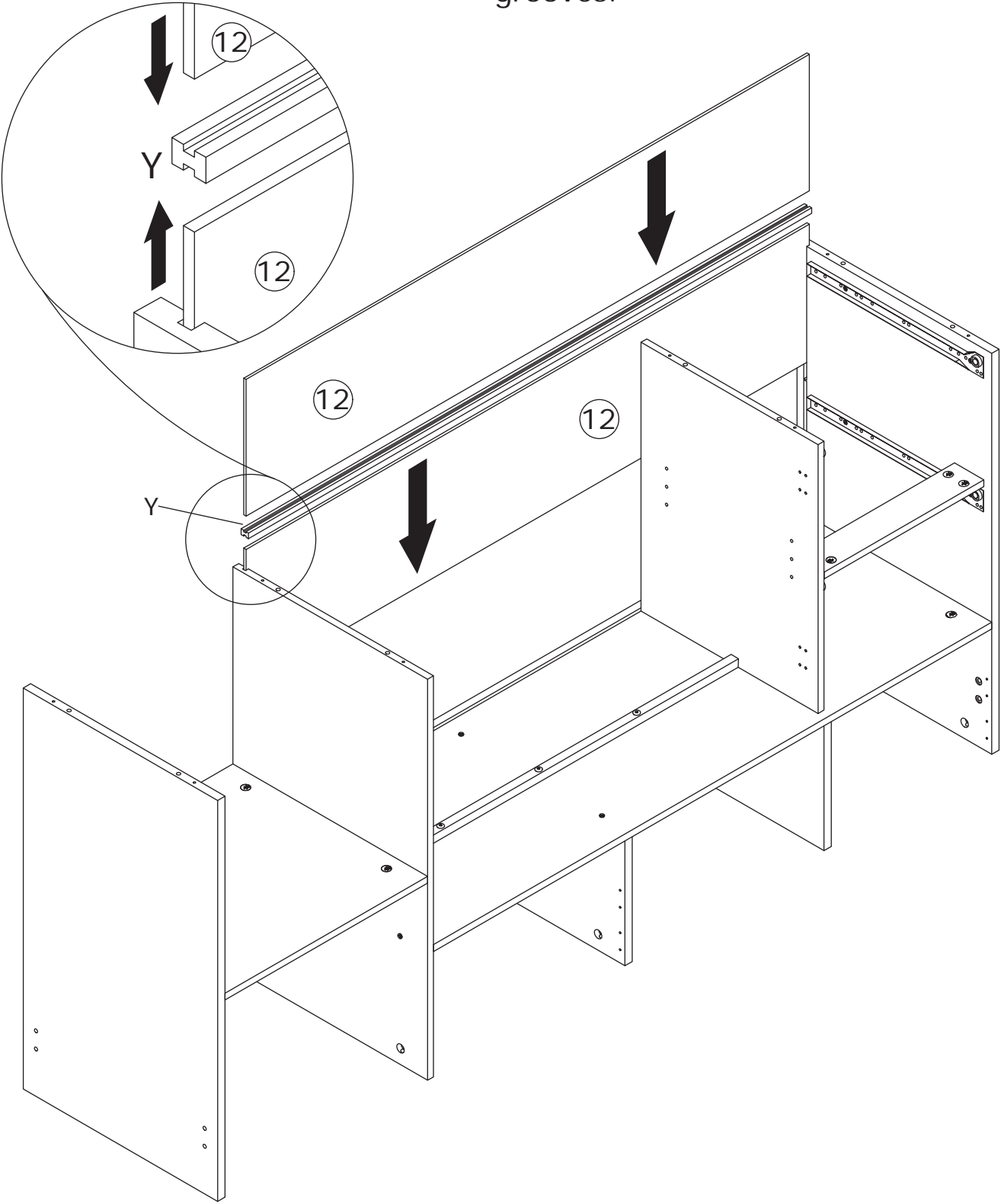


Attach panel 7 to panel 2 and panel 3 using wooden dowel(D), add cam lock(B) and turn clockwise to tighten.

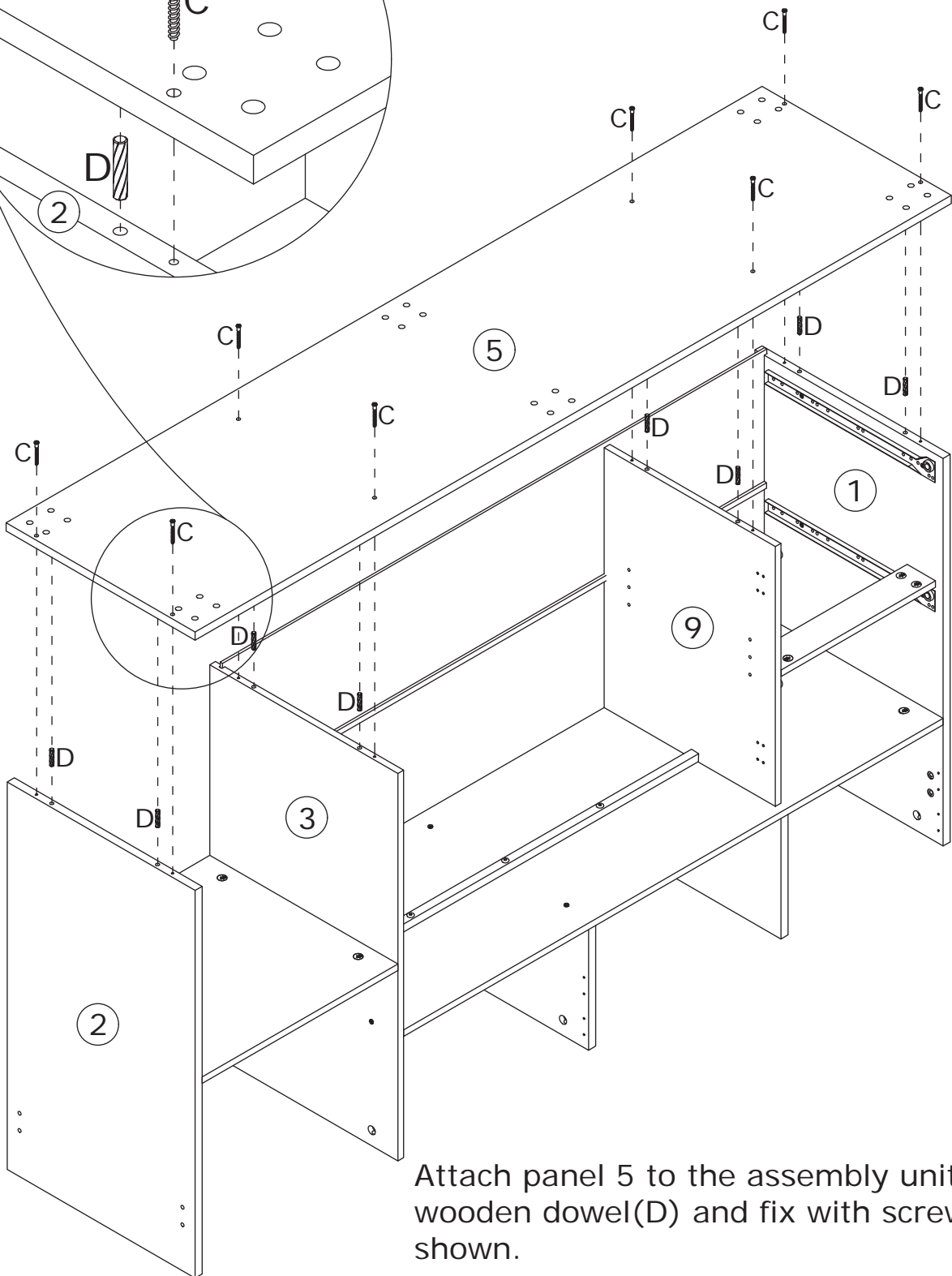
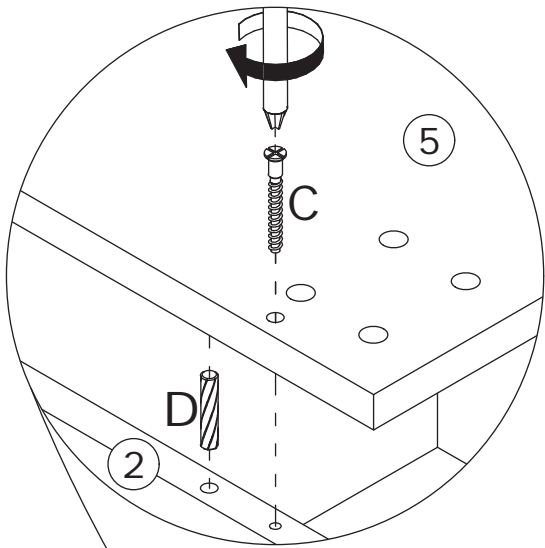
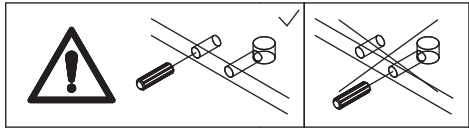
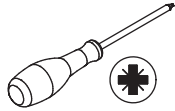
9

Y x 1

Attach panel 12 to part(Y) and insert them along available grooves.

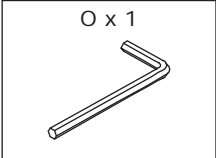


10

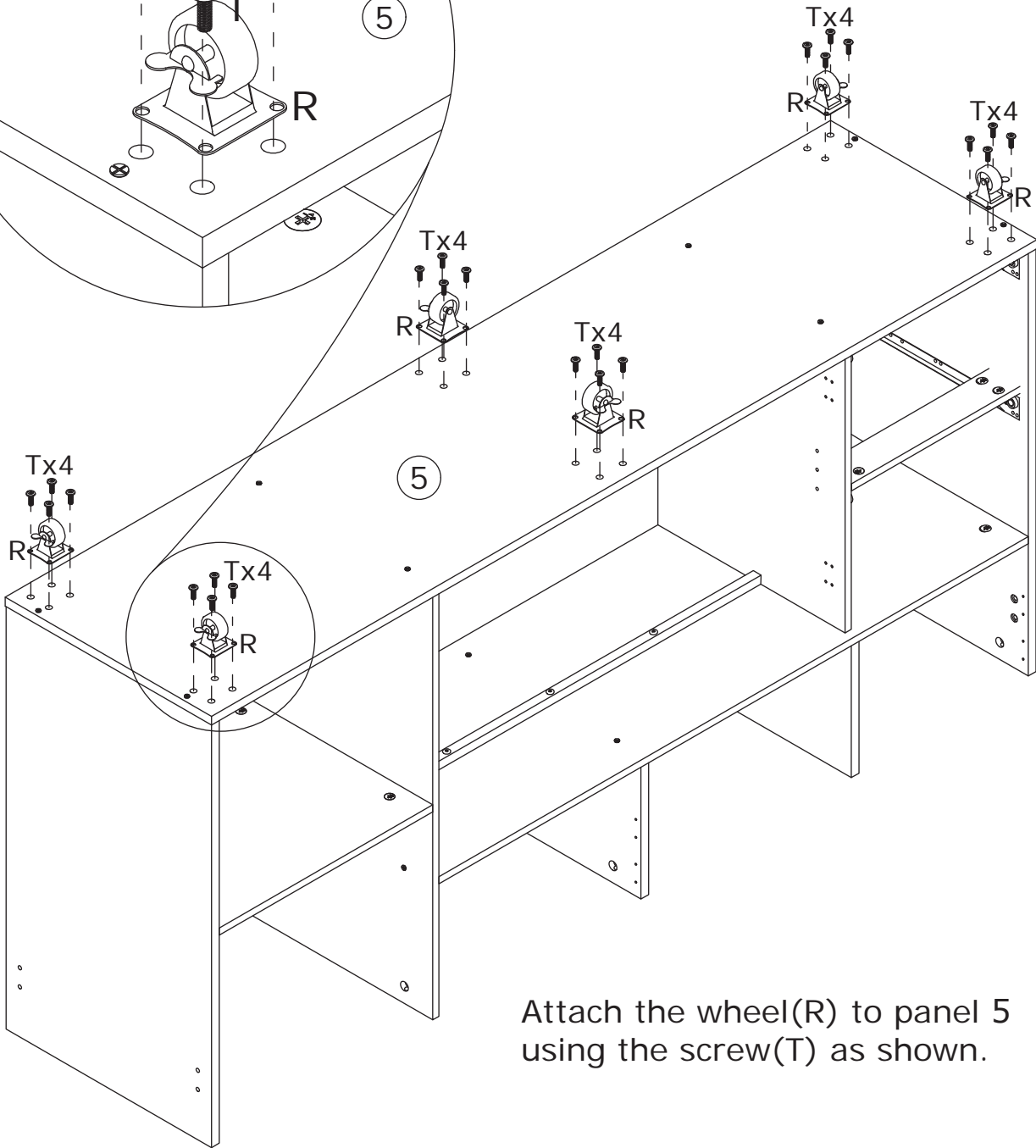
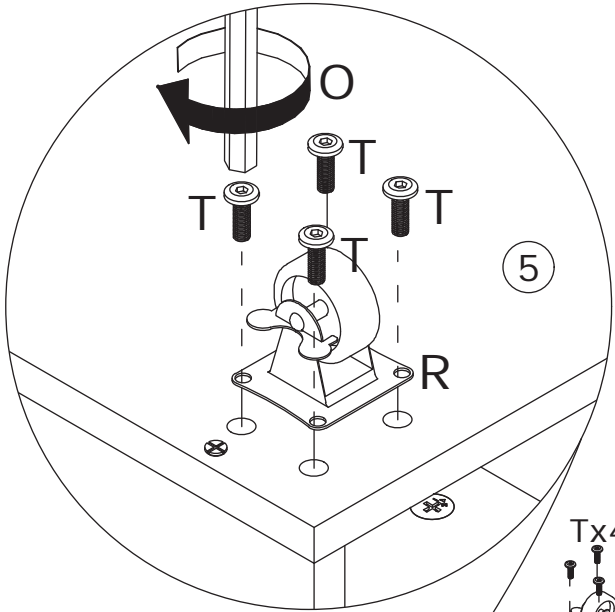
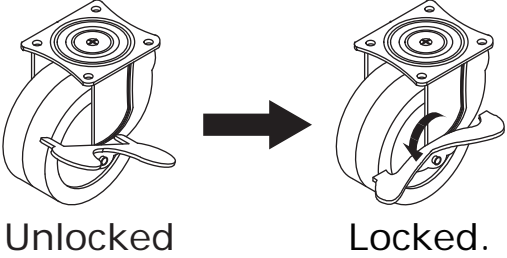


Attach panel 5 to the assembly unit using wooden dowel(D) and fix with screw(C) as shown.

11

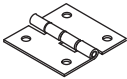

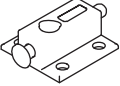
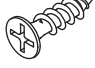
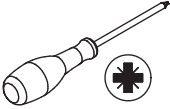


Lock the wheels as shown.

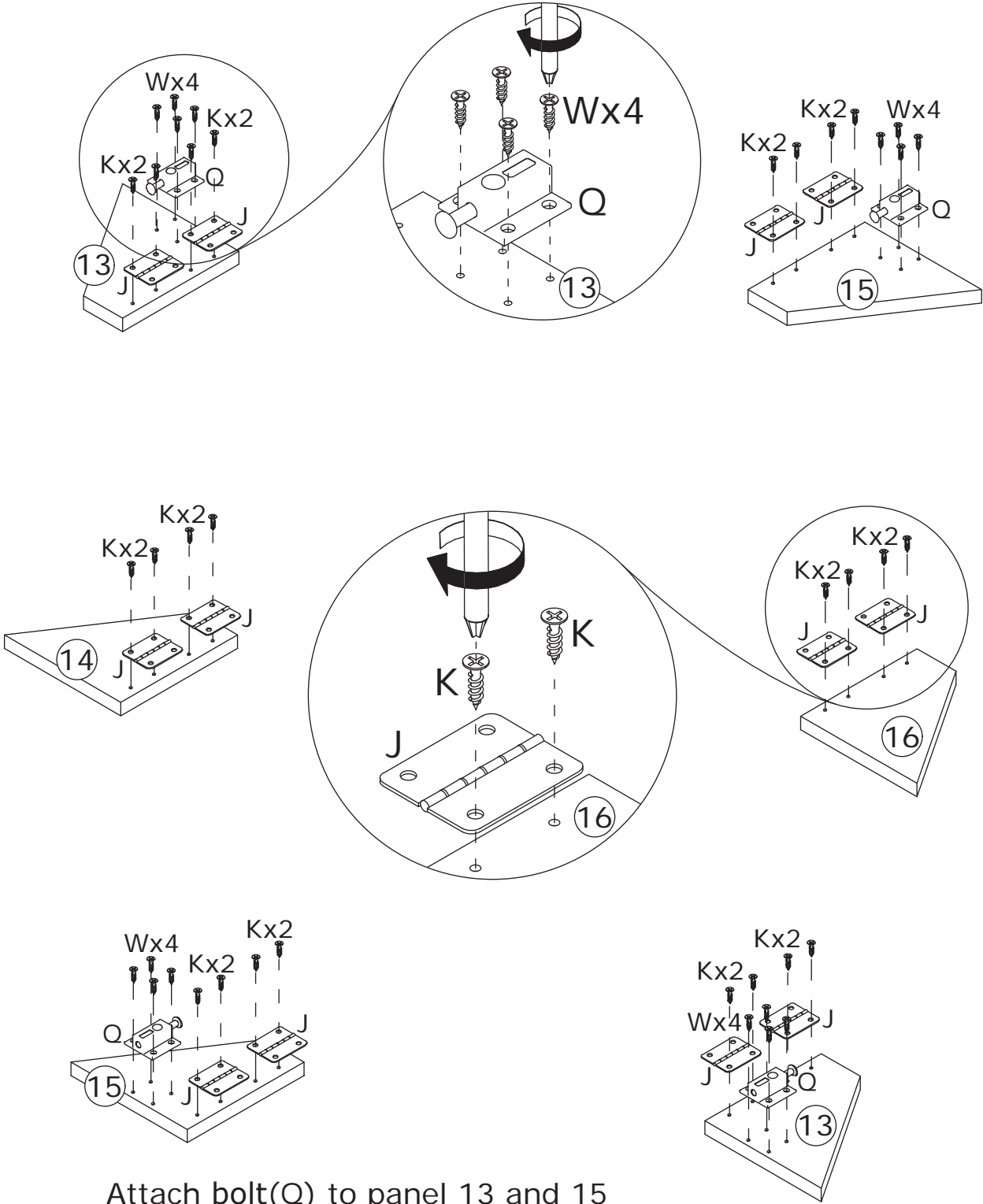


Attach the wheel(R) to panel 5 using the screw(T) as shown.

12

J x 12 	K x 24 CRD0314A 	Q x 4 	W x 16 CRD3514A 	
---	---	--	--	---

Fix hinge(J) to panel 13, 14, 15 and 16 using screw(K) as shown.



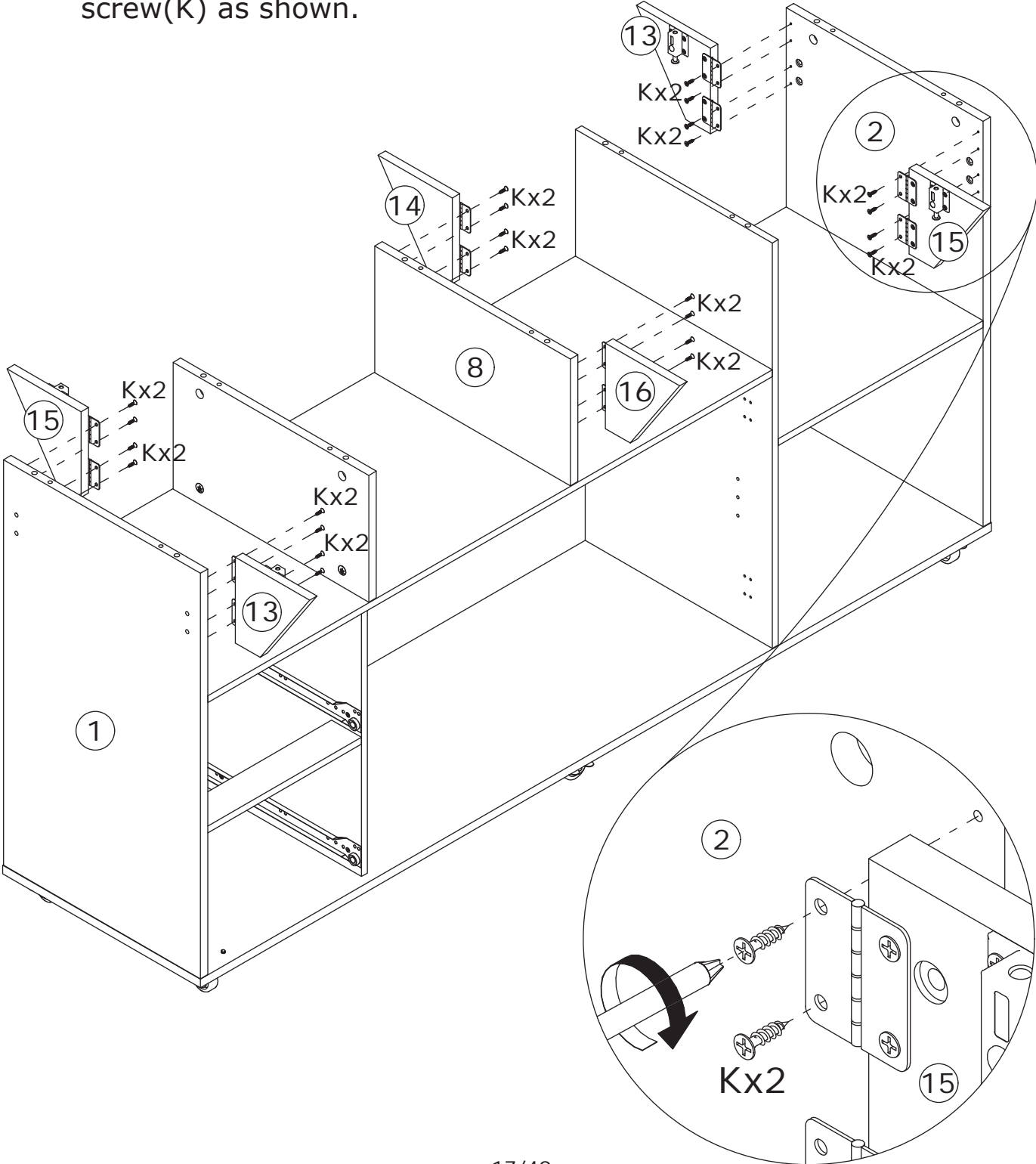
Attach bolt(Q) to panel 13 and 15 using screw(W) as shown.

13

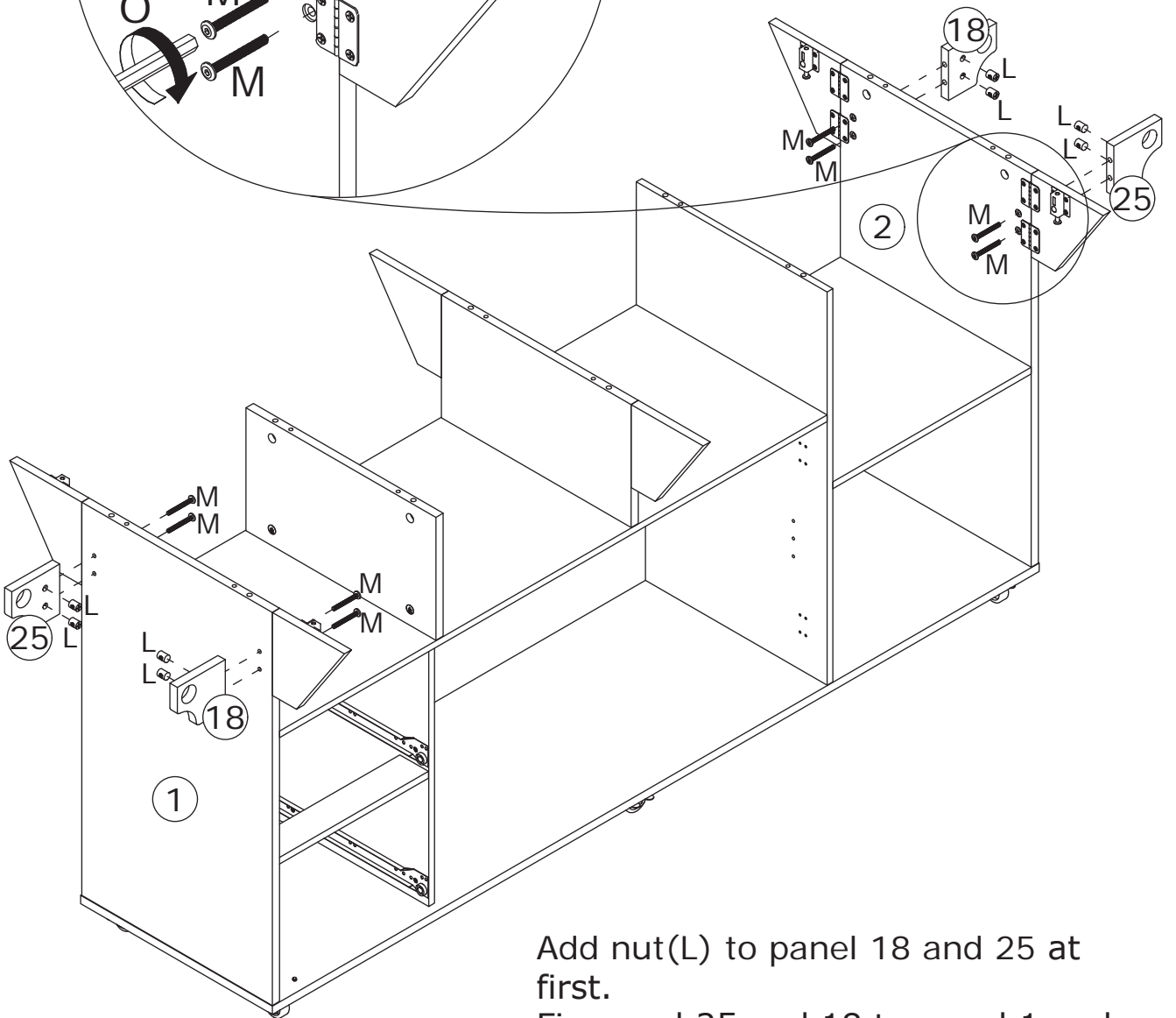
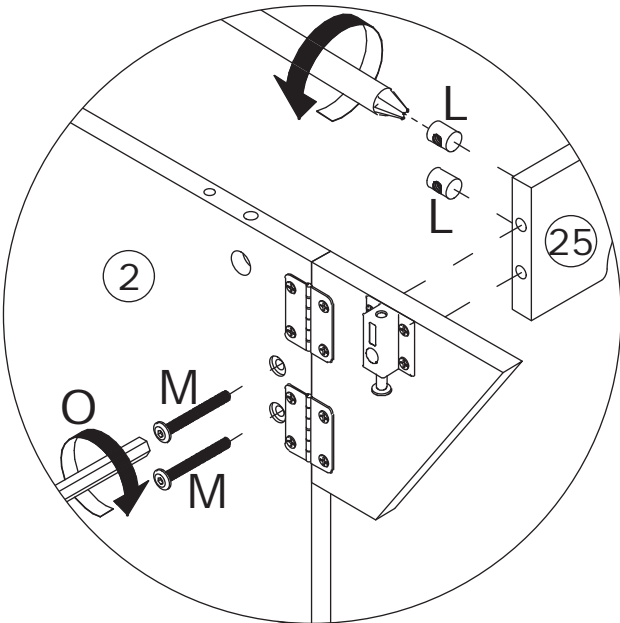
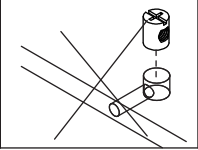
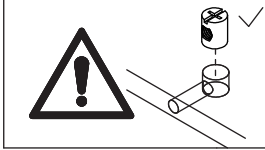
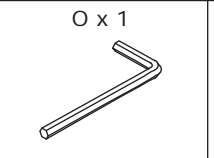
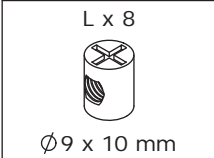
K x 24
CRD0314A



Fix panel 13 and 15 to panel 1 and 2 using screw(K) as shown.
Fix panel 14 and 15 to panel 8 using screw(K) as shown.

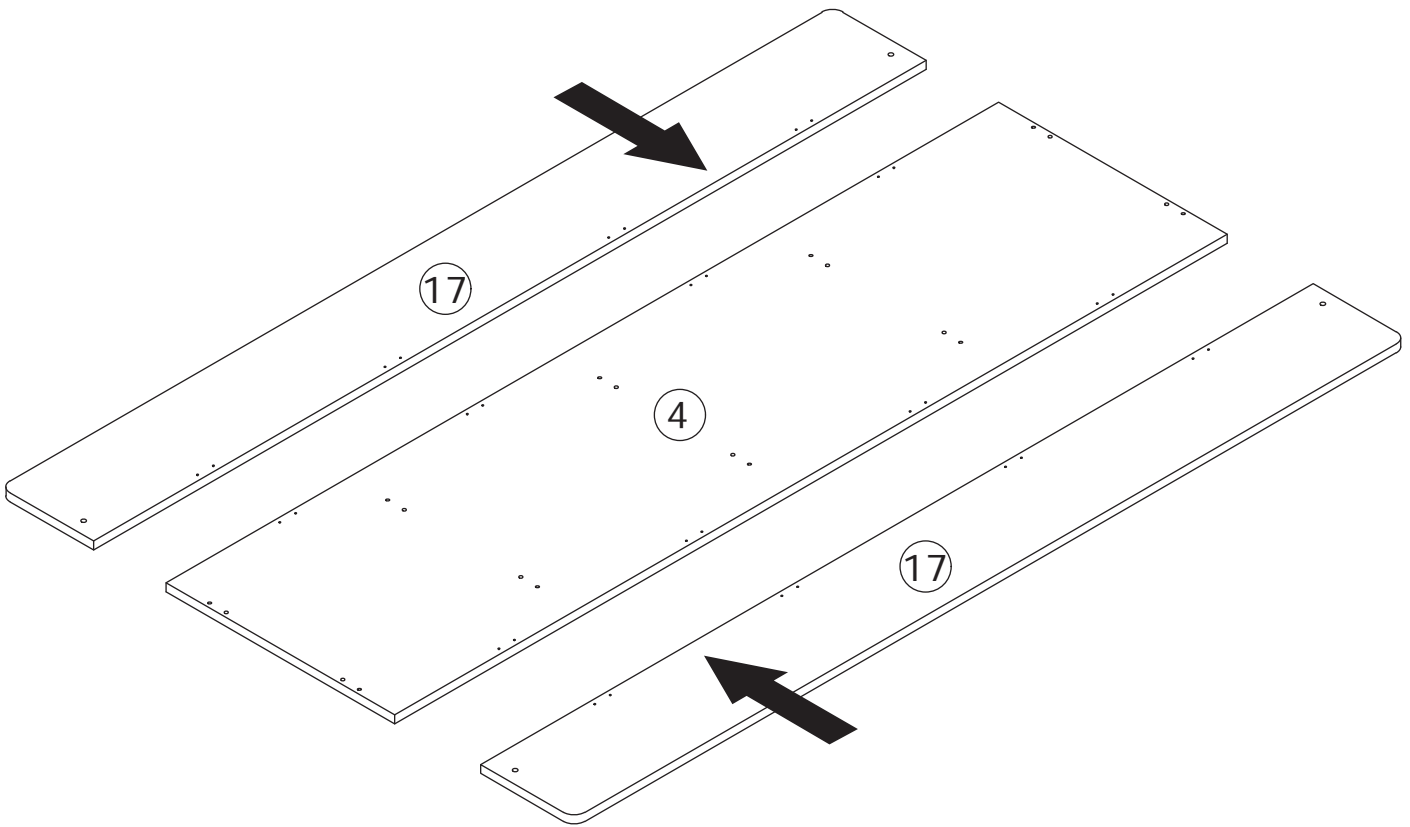


14

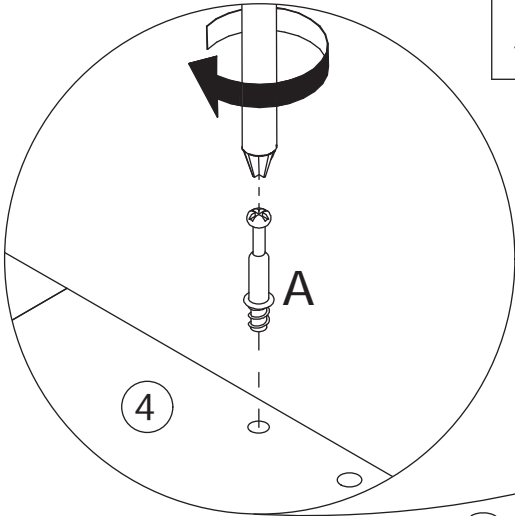
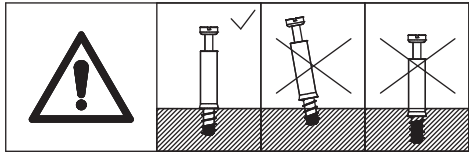
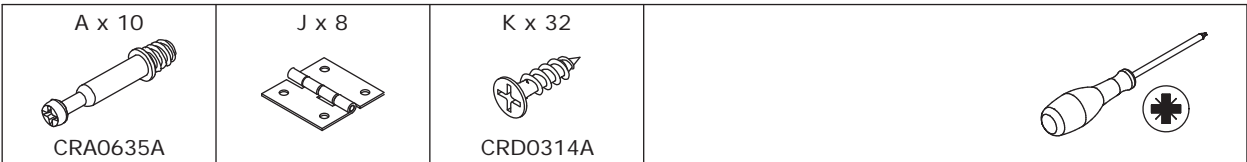


Add nut(L) to panel 18 and 25 at first.
Fix panel 25 and 18 to panel 1 and 2 with screw(M) as shown.

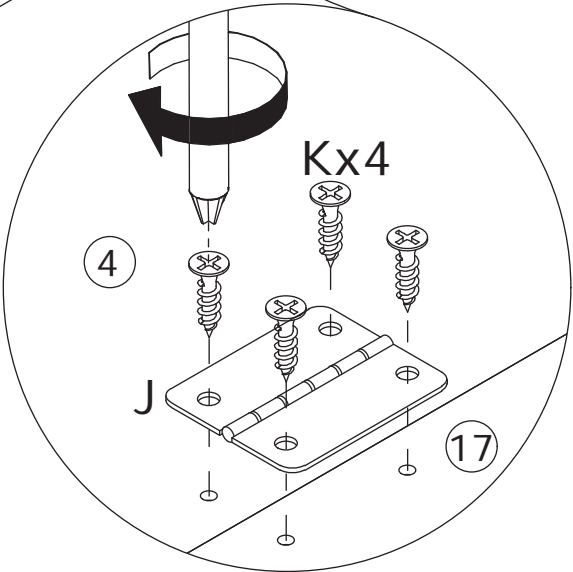
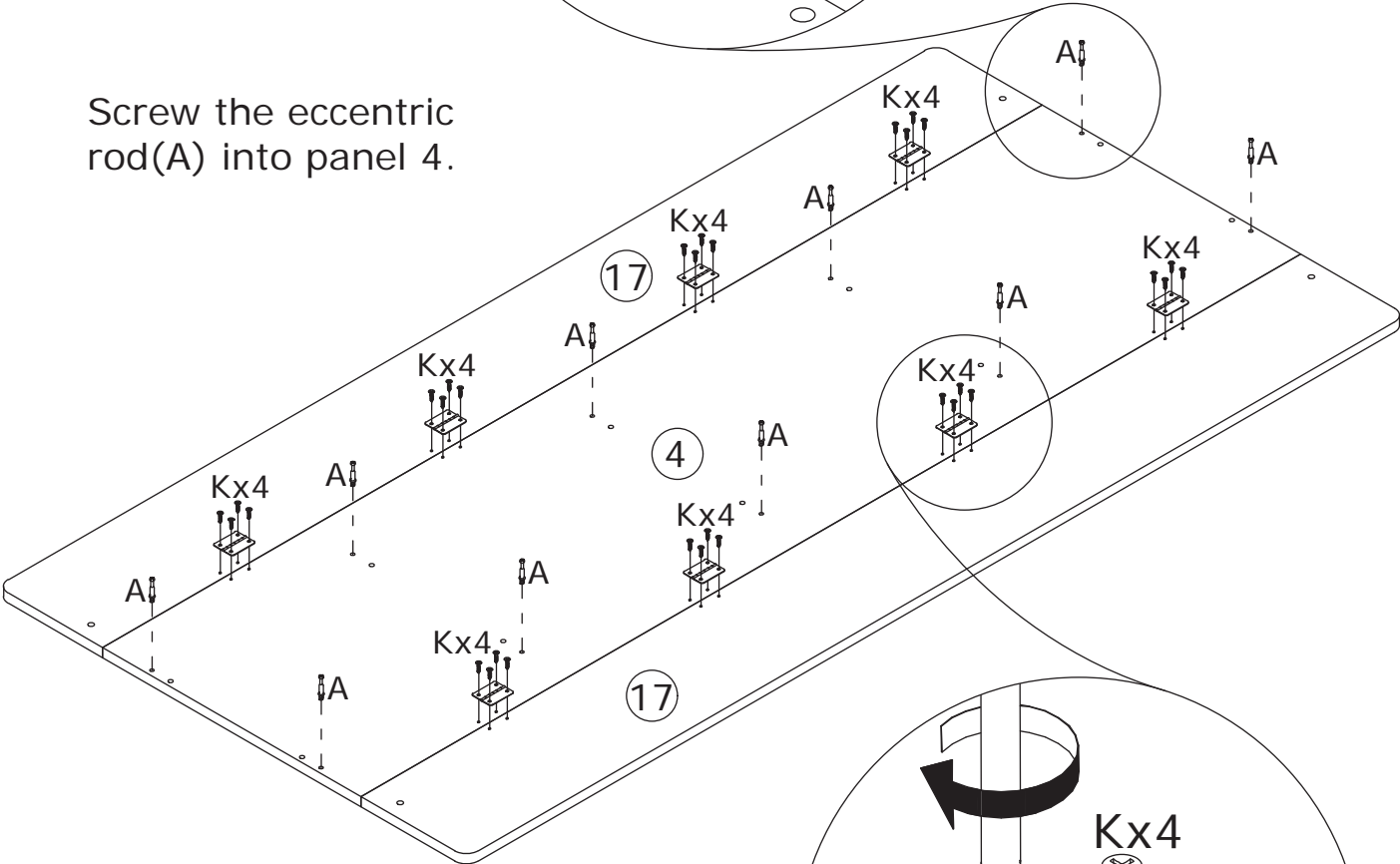
15



16

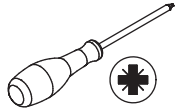
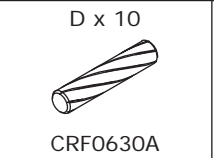
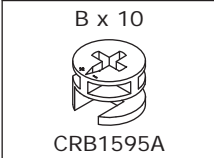


Screw the eccentric rod(A) into panel 4.

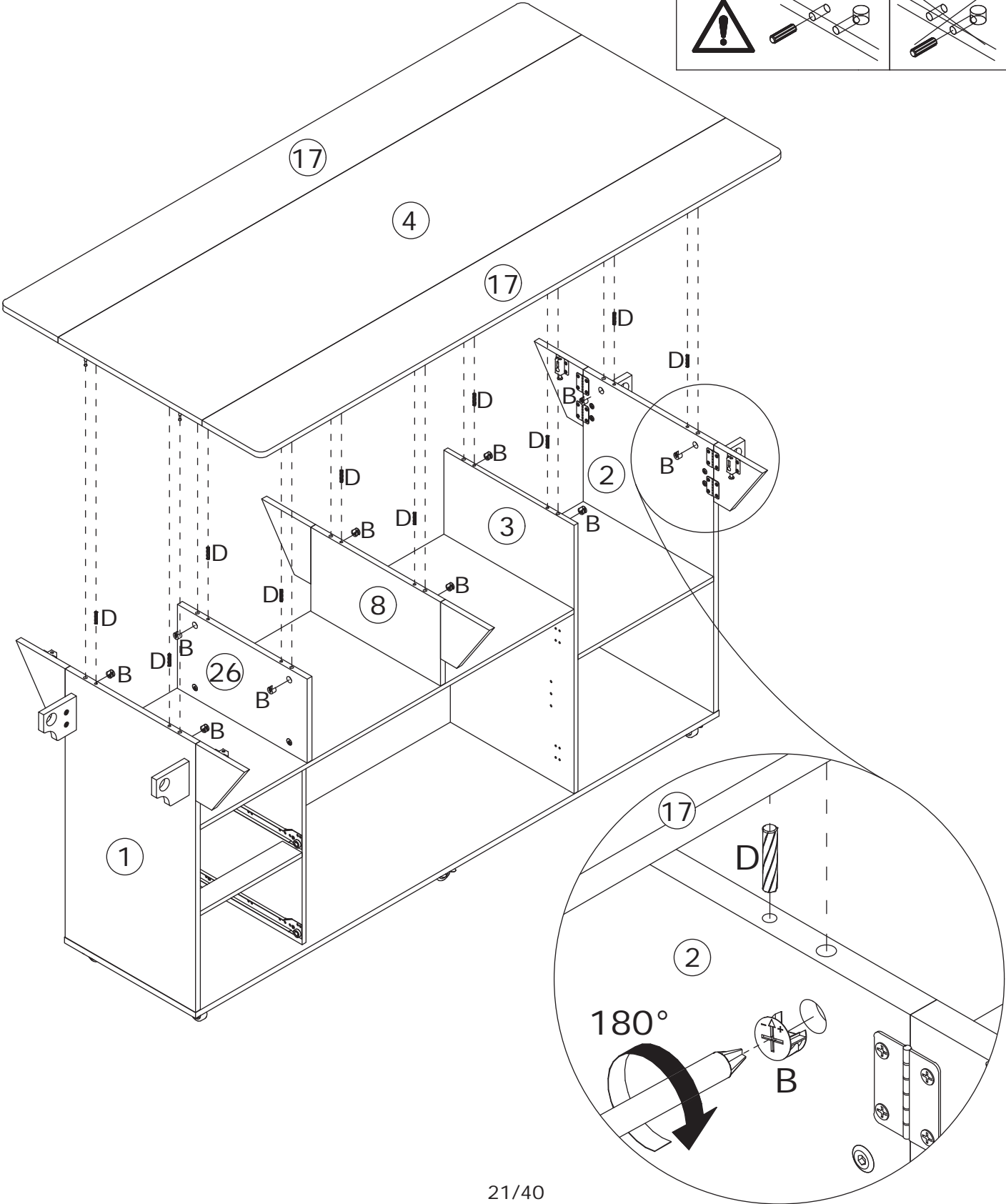
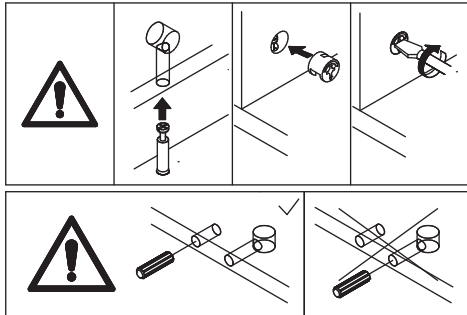


Attach panel 4 to panel 17 using hinge(J) and fix with screw(K) as shown.

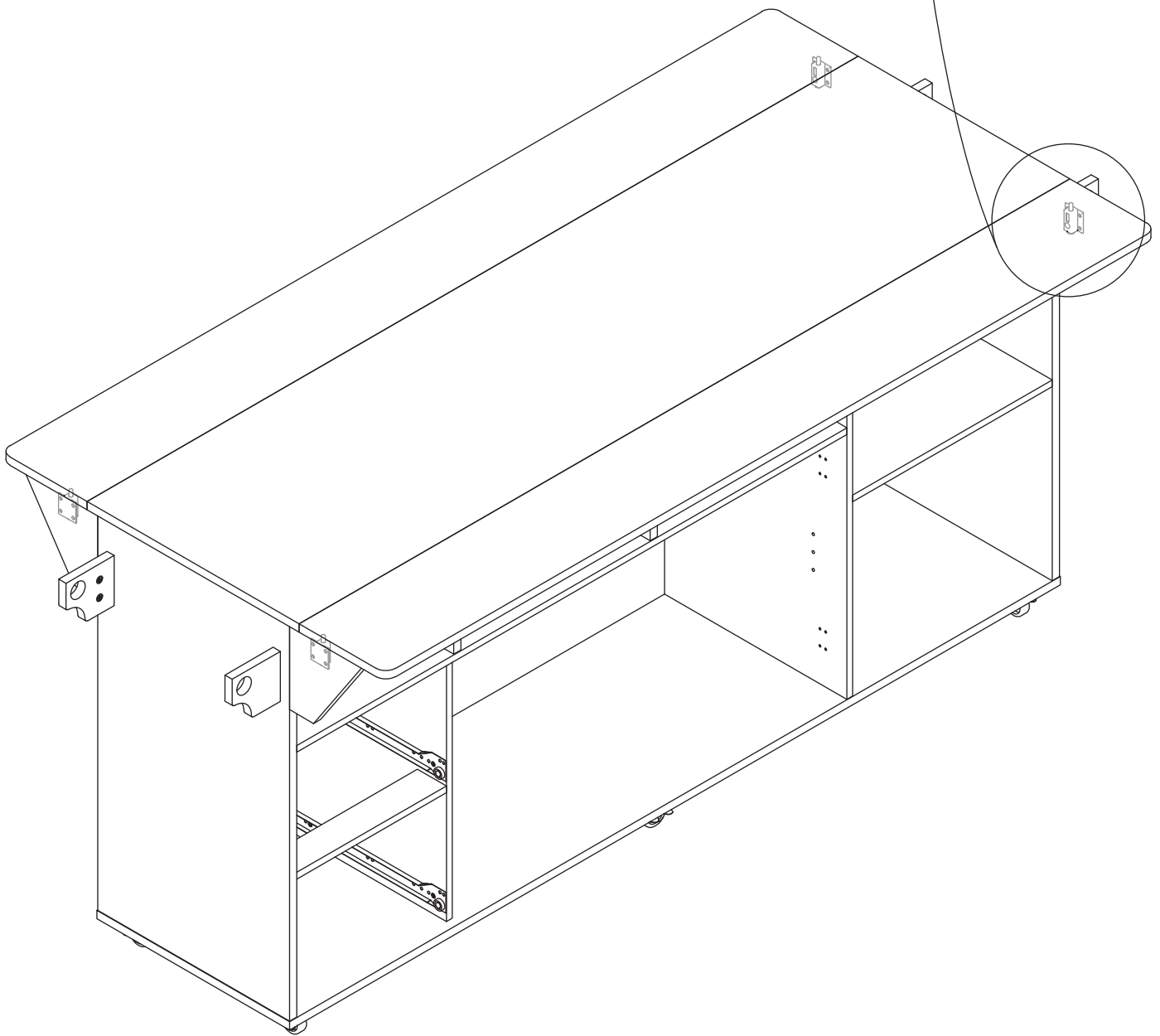
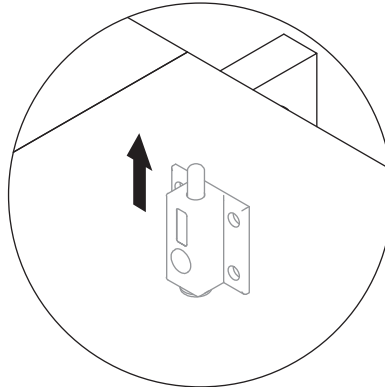
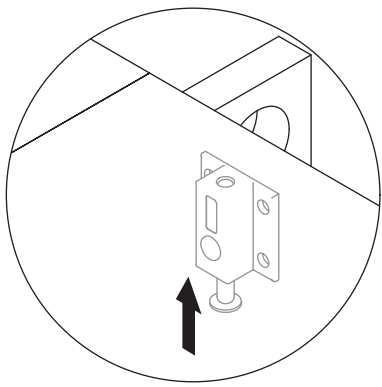
17



Attach panel 4 and 17 to the assembly unit using wooden dowel(D), add cam lock(B) and turn clockwise to tighten as shown.



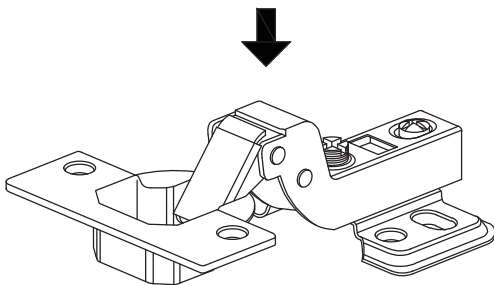
18



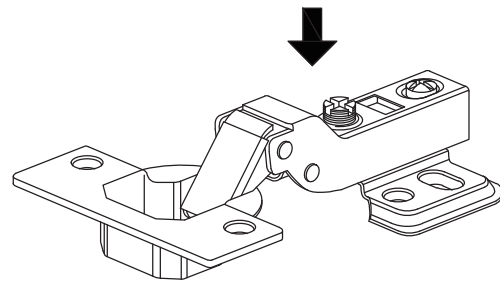


Pay attention to the difference between the middle parts of the two types of door hinges.

- The large curved door hinges(U) are used on the outermost door plates
- And the small curved door hinges(V) are used on the door panel in the middle of the cabinet




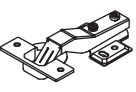
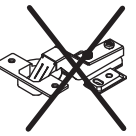
U



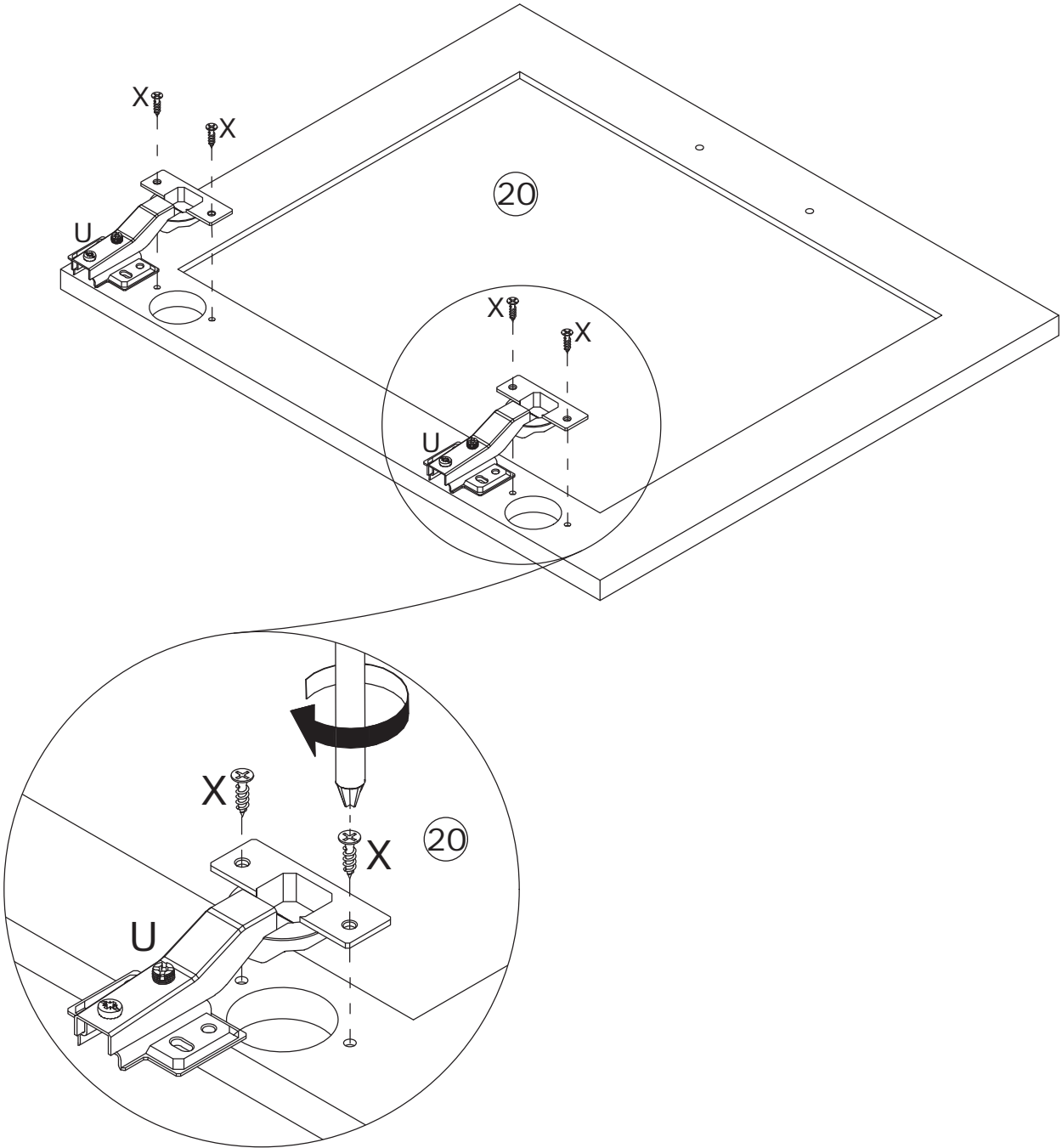
V

20

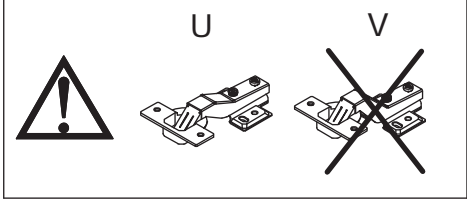
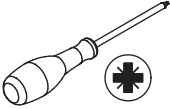
<p>U x 2</p>  <p>DGA861B</p>	<p>X x 4</p>  <p>CRD3512A</p>	
---	--	---

	<p>U</p> 	<p>V</p> 
---	--	--

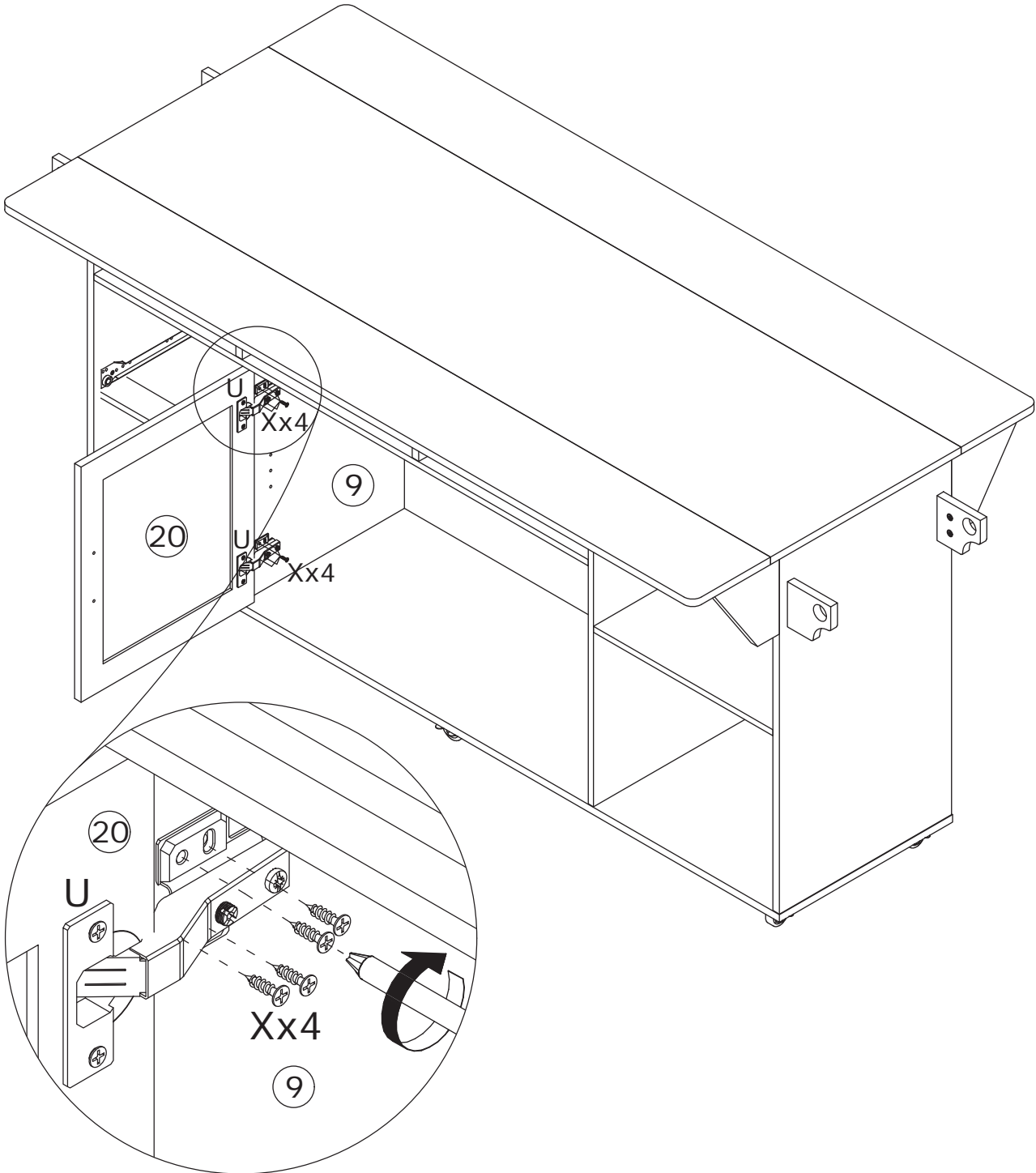
Attach the hinge(U) to the panel 20 using the screw(X) as shown.



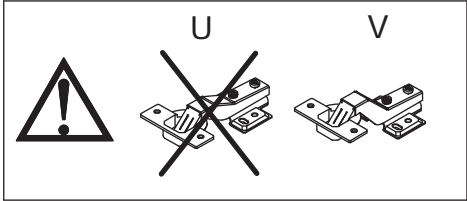
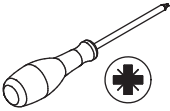
21



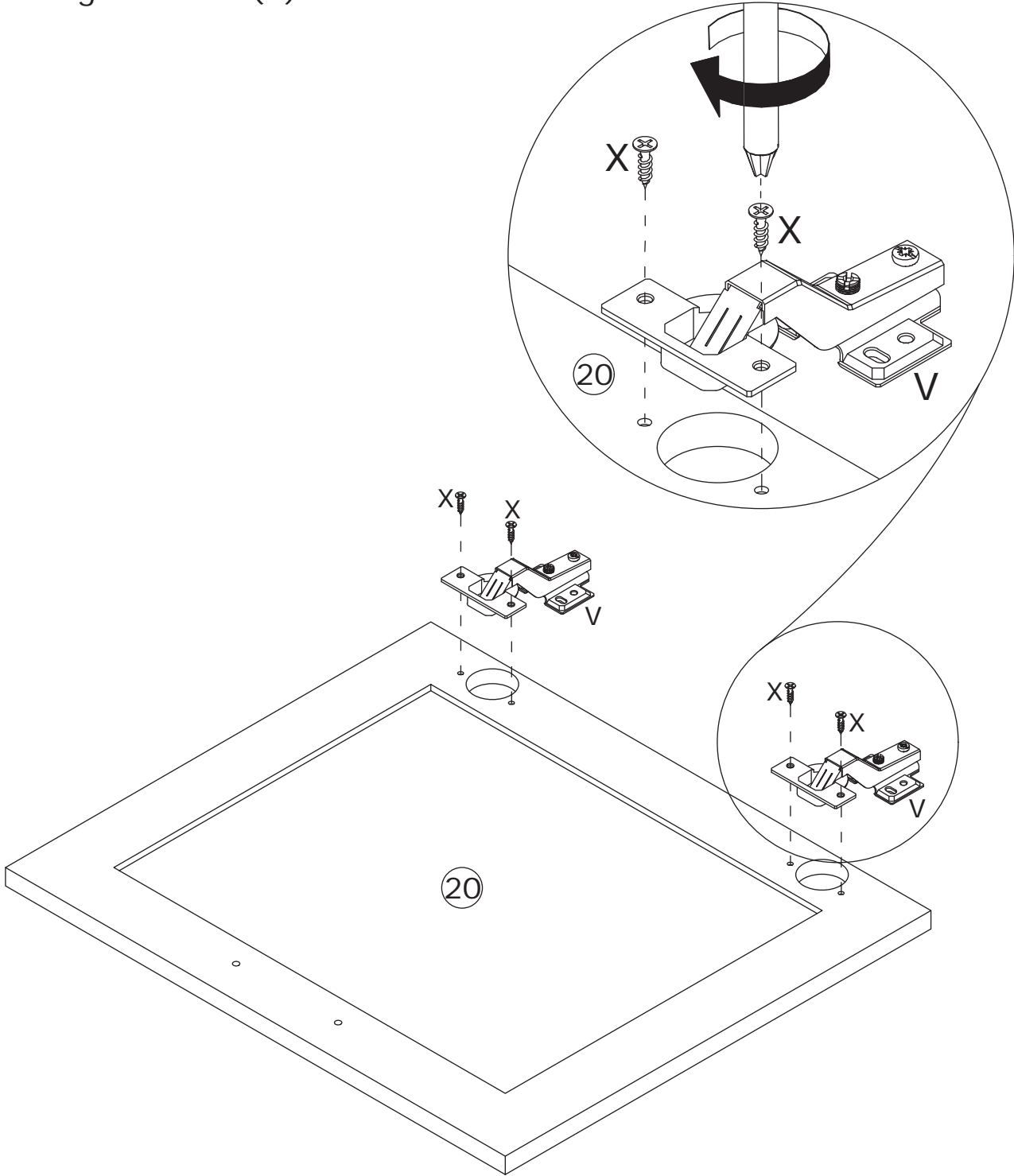
Attach the hinge(U) to the panel 9 using the screw(X) as shown.



22



Attach the hinge(V) to the panel 20 using the screw(X) as shown.

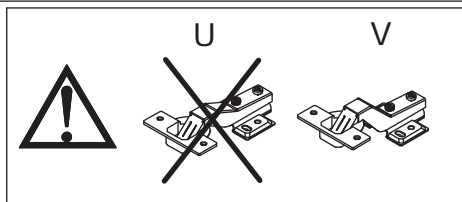
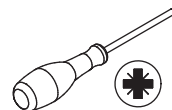


23

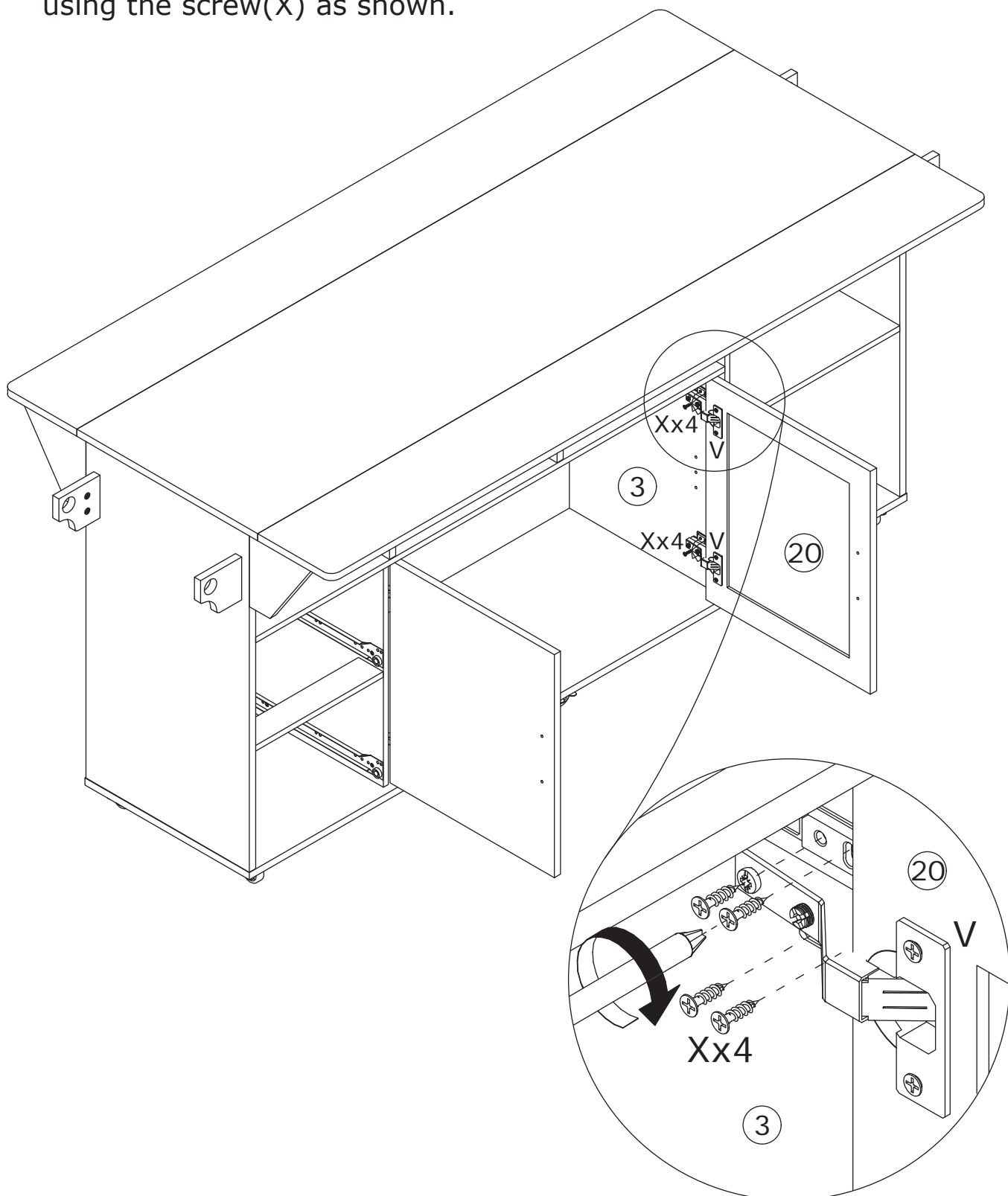
X x 8



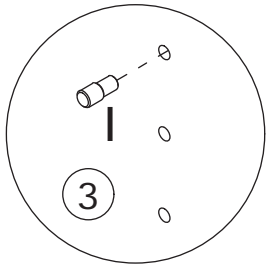
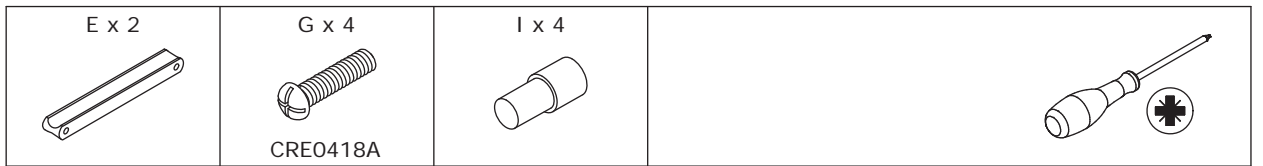
CRD3512A



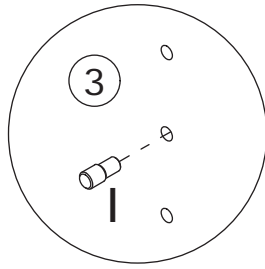
Attach the hinge(V) to panel 3 using the screw(X) as shown.



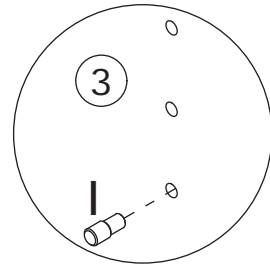
24



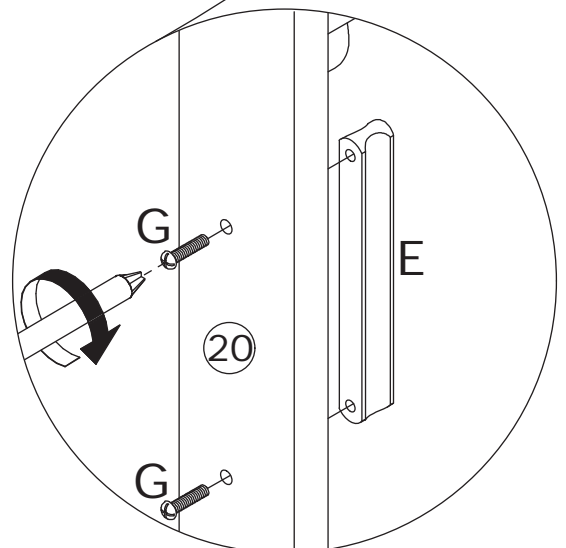
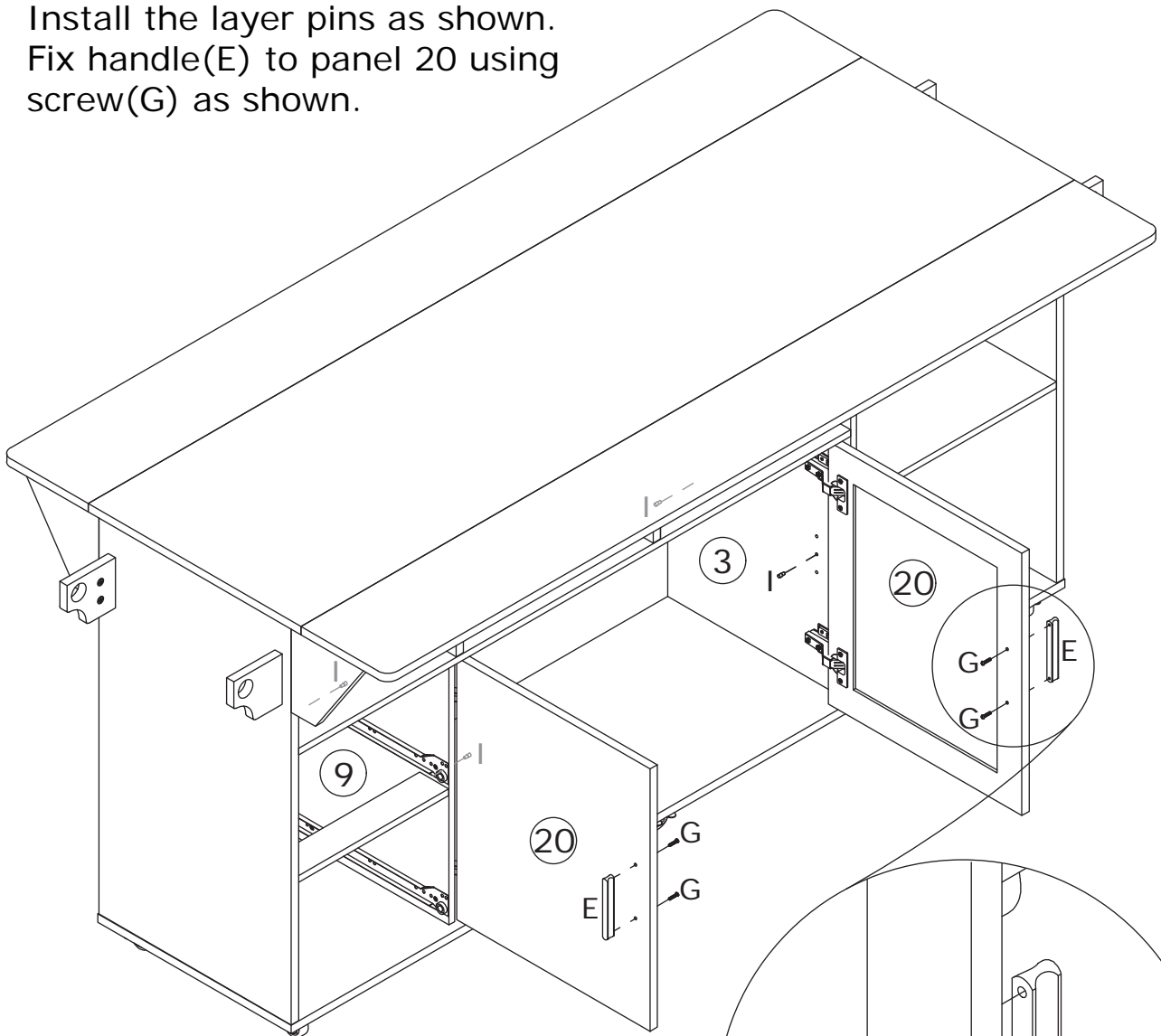
OR



OR



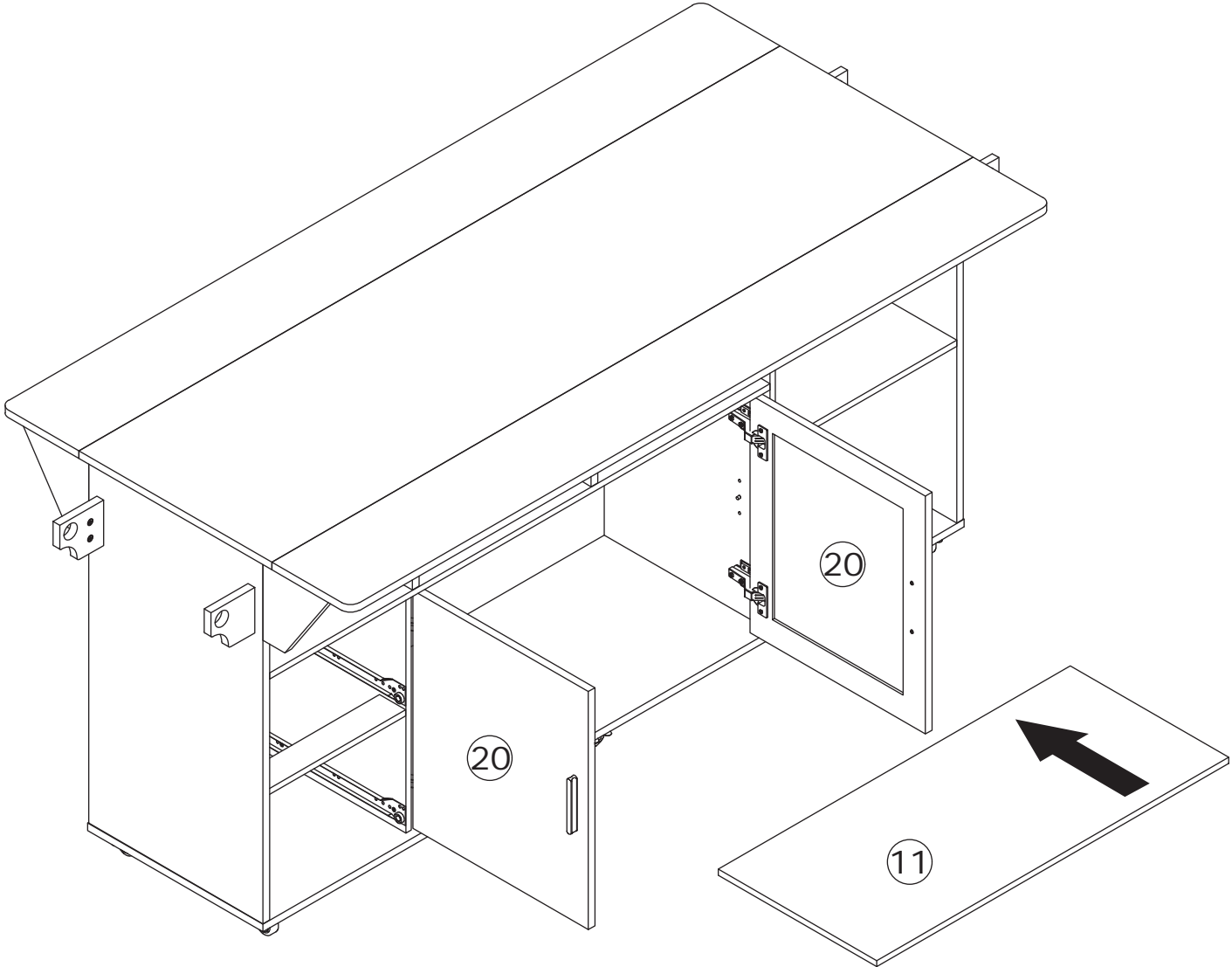
Install the layer pins as shown.
Fix handle(E) to panel 20 using
screw(G) as shown.



25

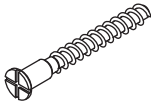


Place panel 11 as shown.

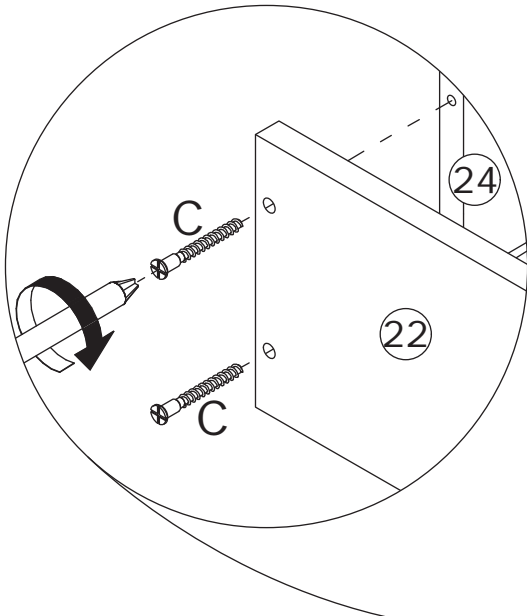
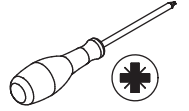


26

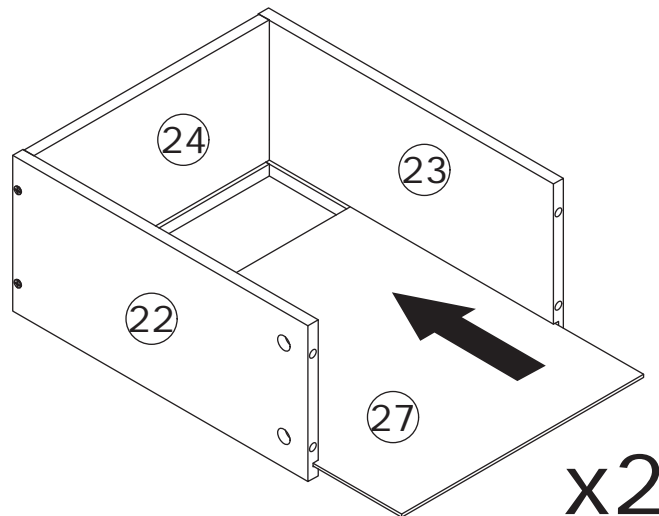
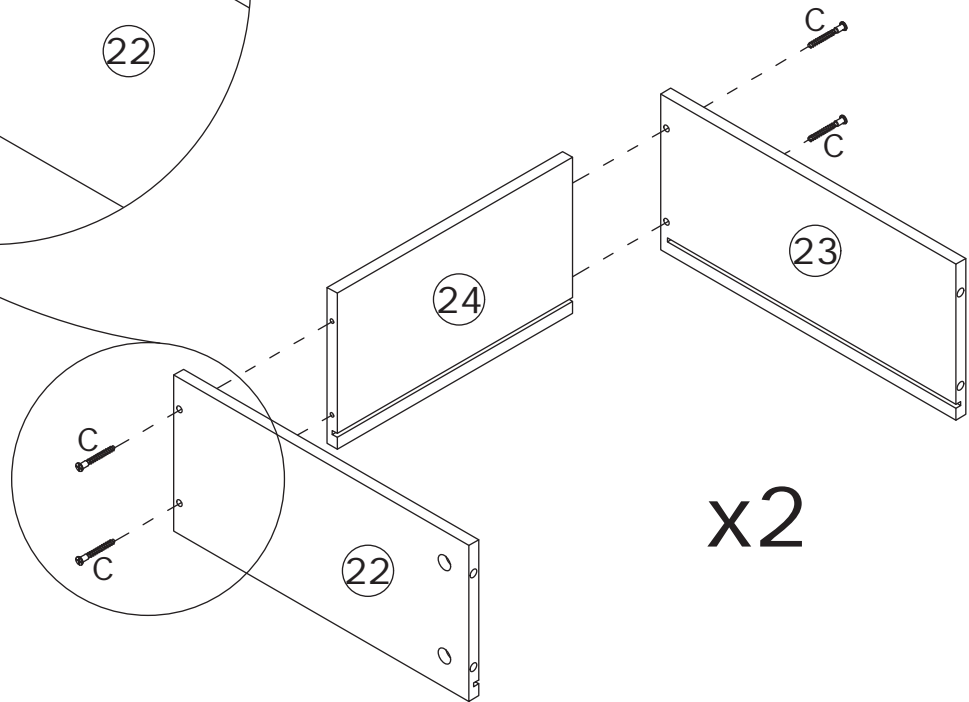
C x 8



CRC0540A

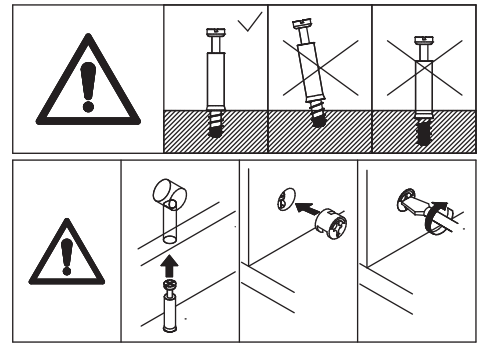
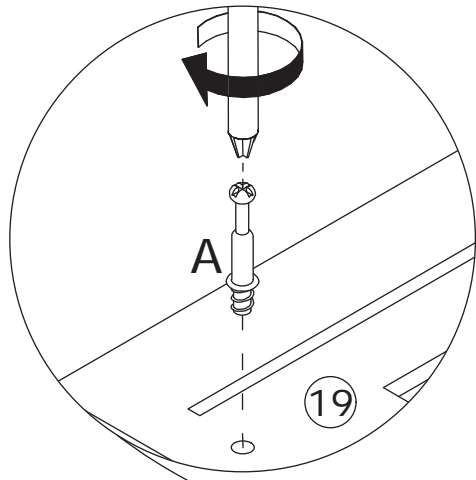
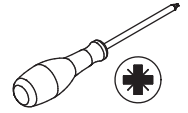


Attach panel 22 and panel 23 to panel 24 using screw(C) as shown.

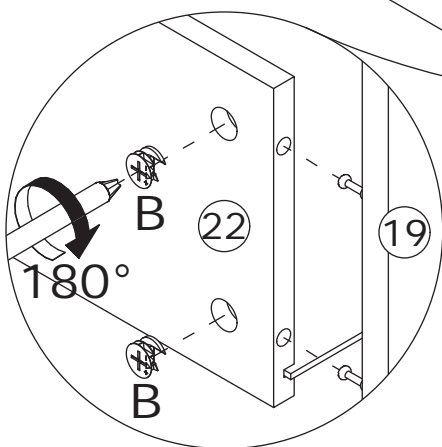
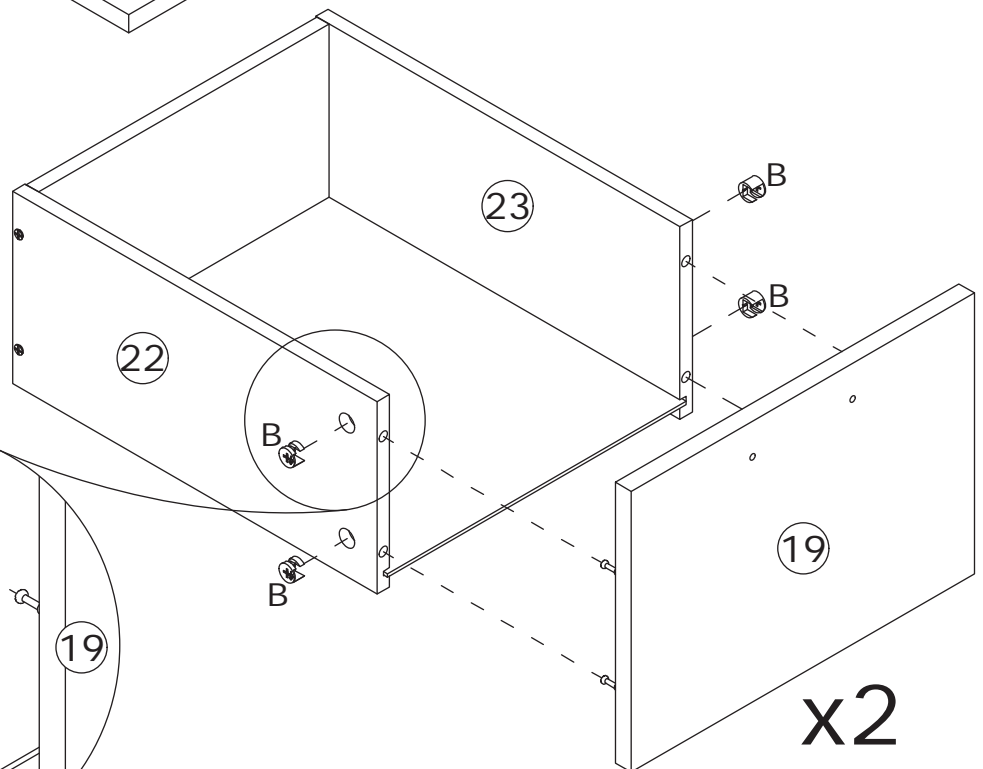
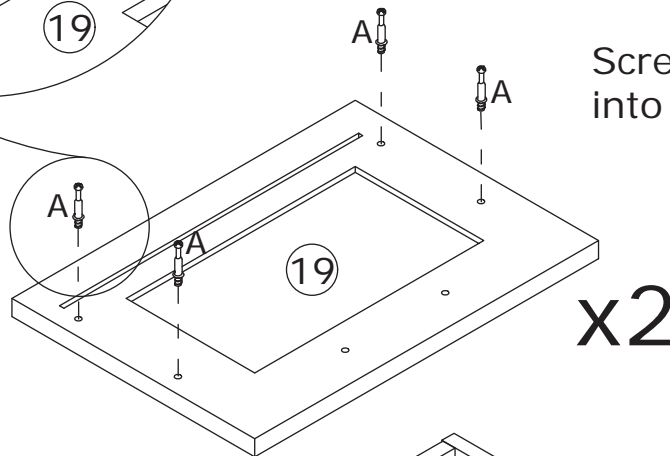


Insert panel 27 along the available grooves as shown.

27

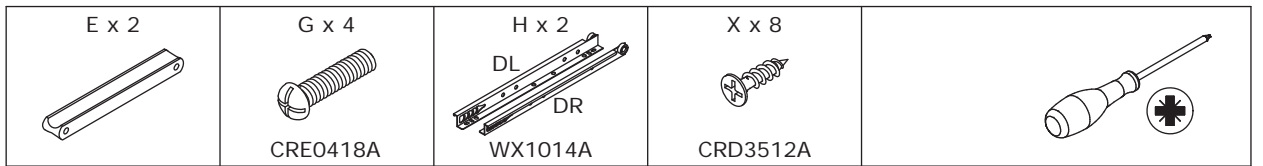


Screw the eccentric rod(A) into panel 19 as shown.

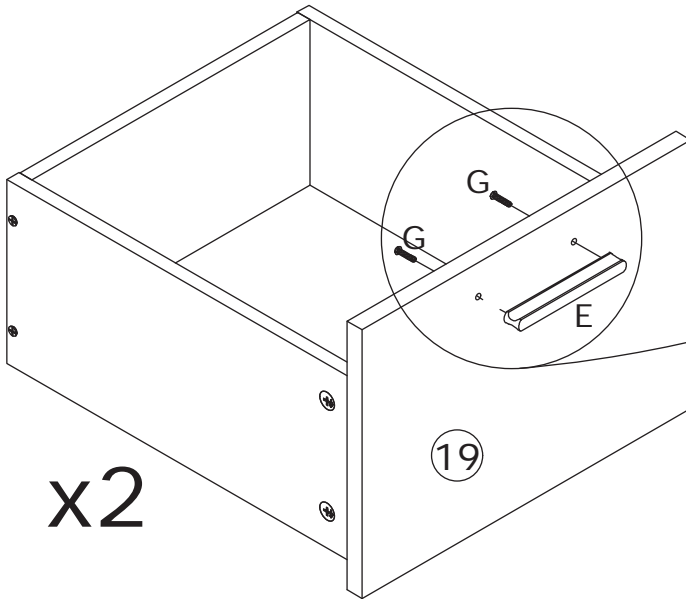
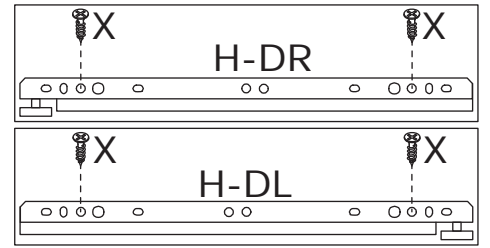


Attach panel 19 to panel 22 and 23, add cam lock(B) and turn clockwise to tighten as shown.

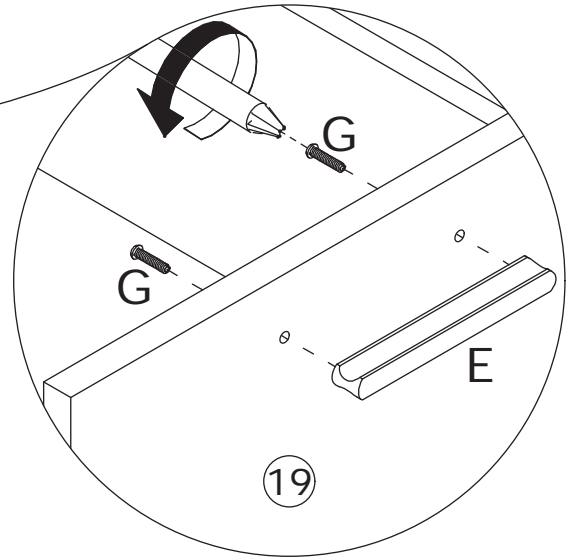
28



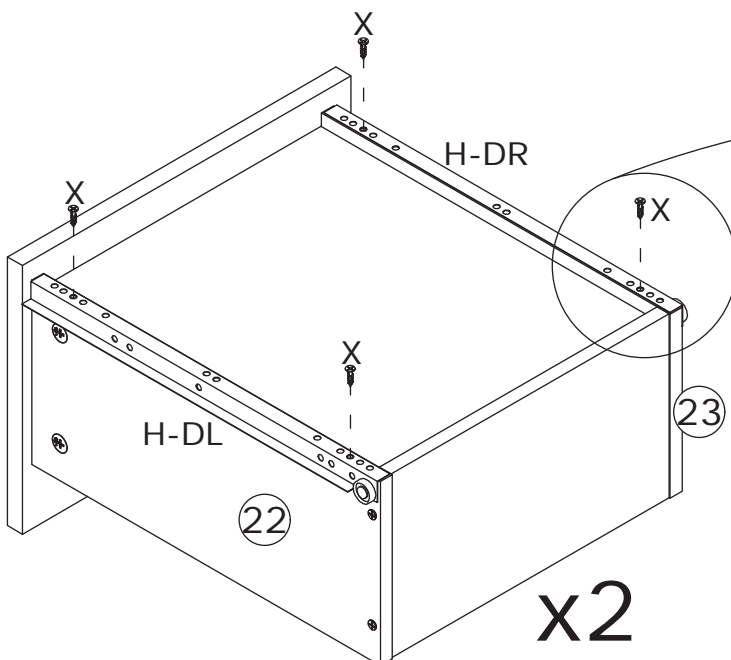
Attach handle(E) to panel 19 using screw(G).



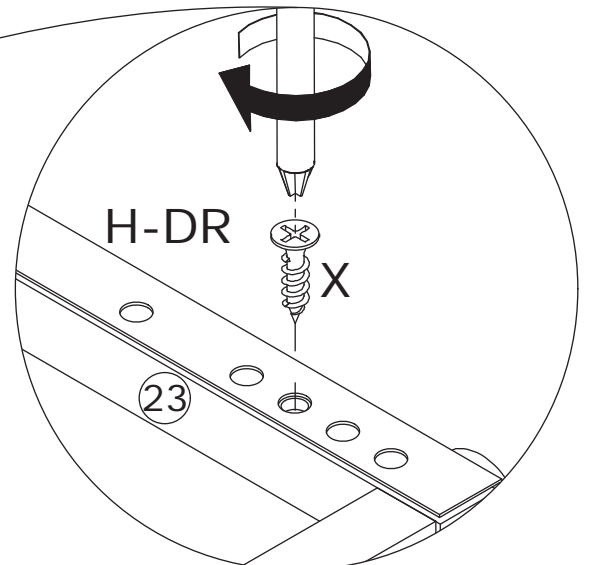
x2



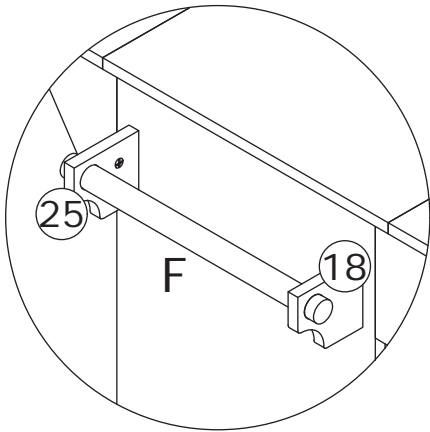
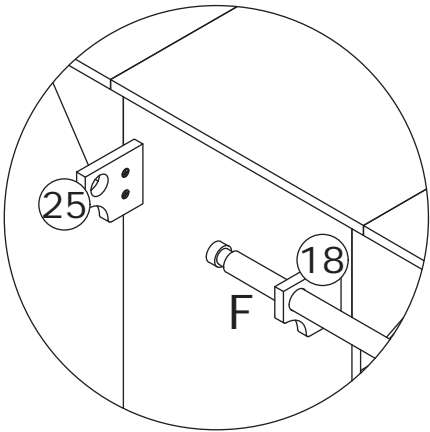
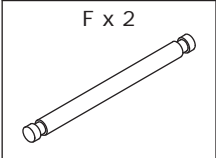
Secure the slide rail(H-DR, H-DL) to panel 22 and 23 with screw(X) as shown.



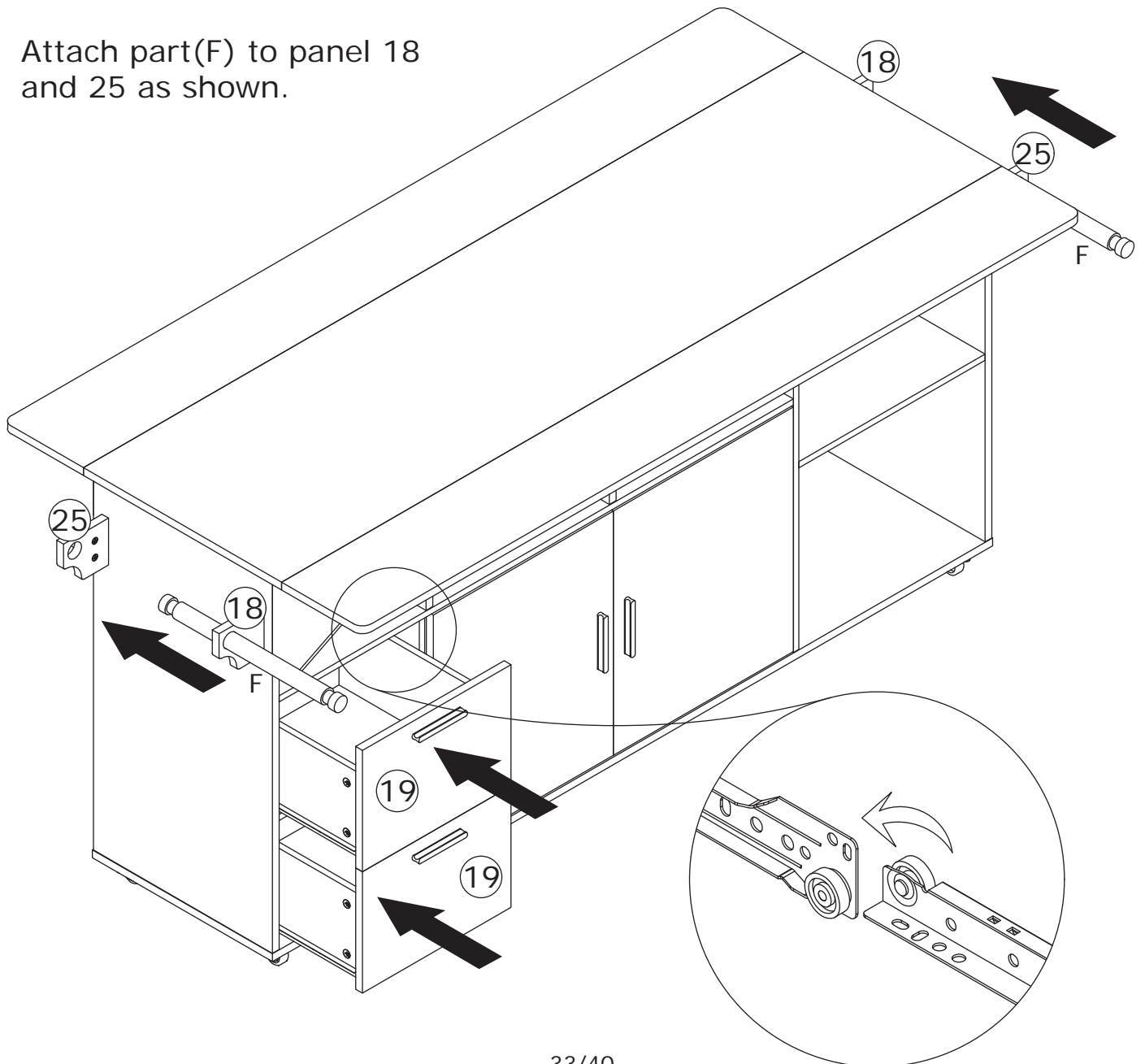
x2



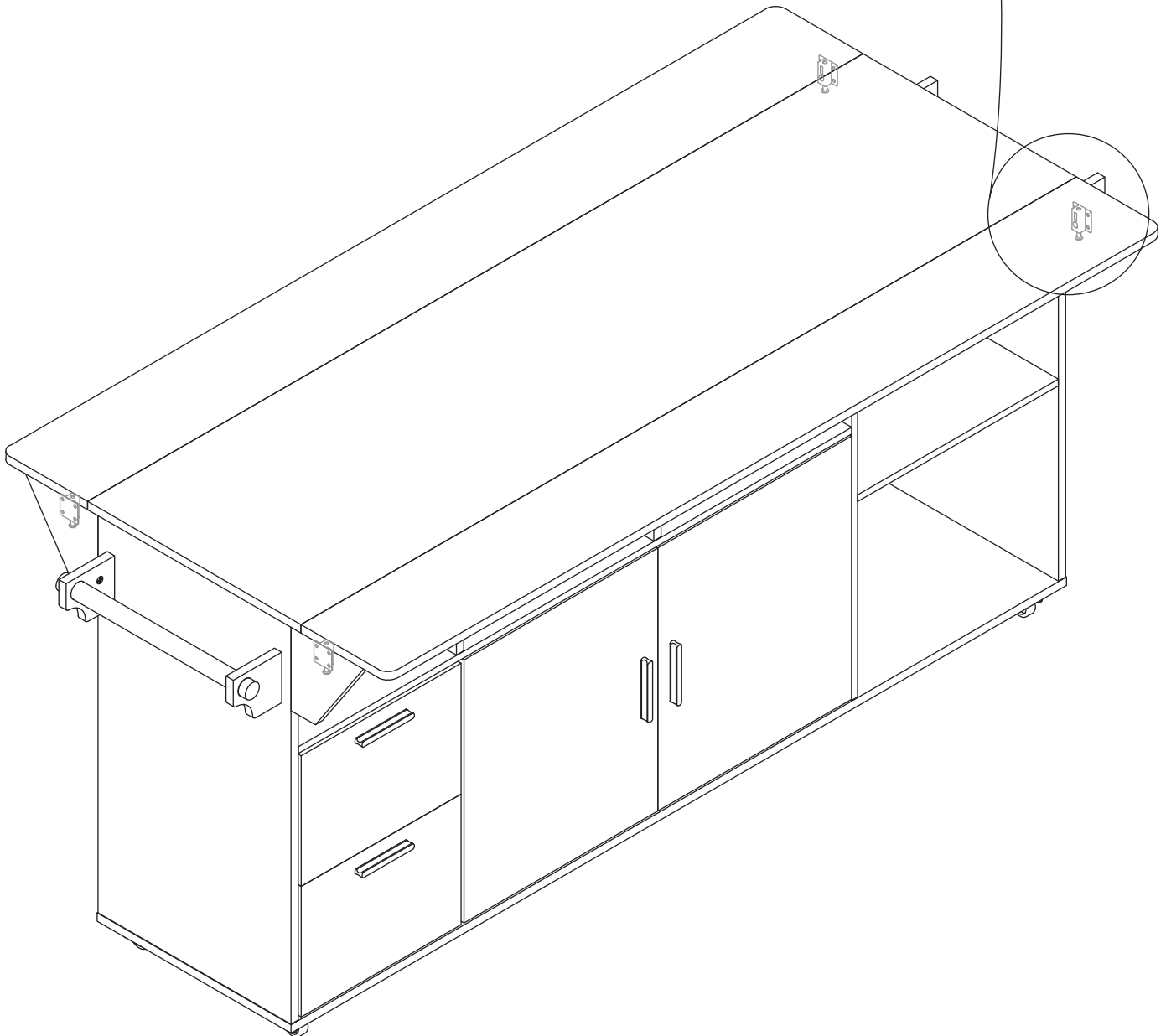
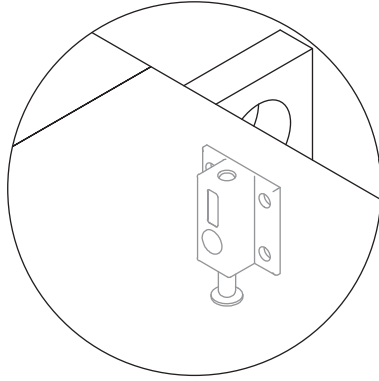
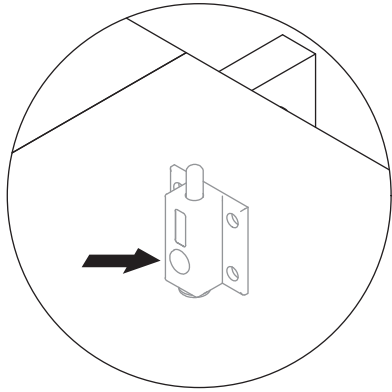
29



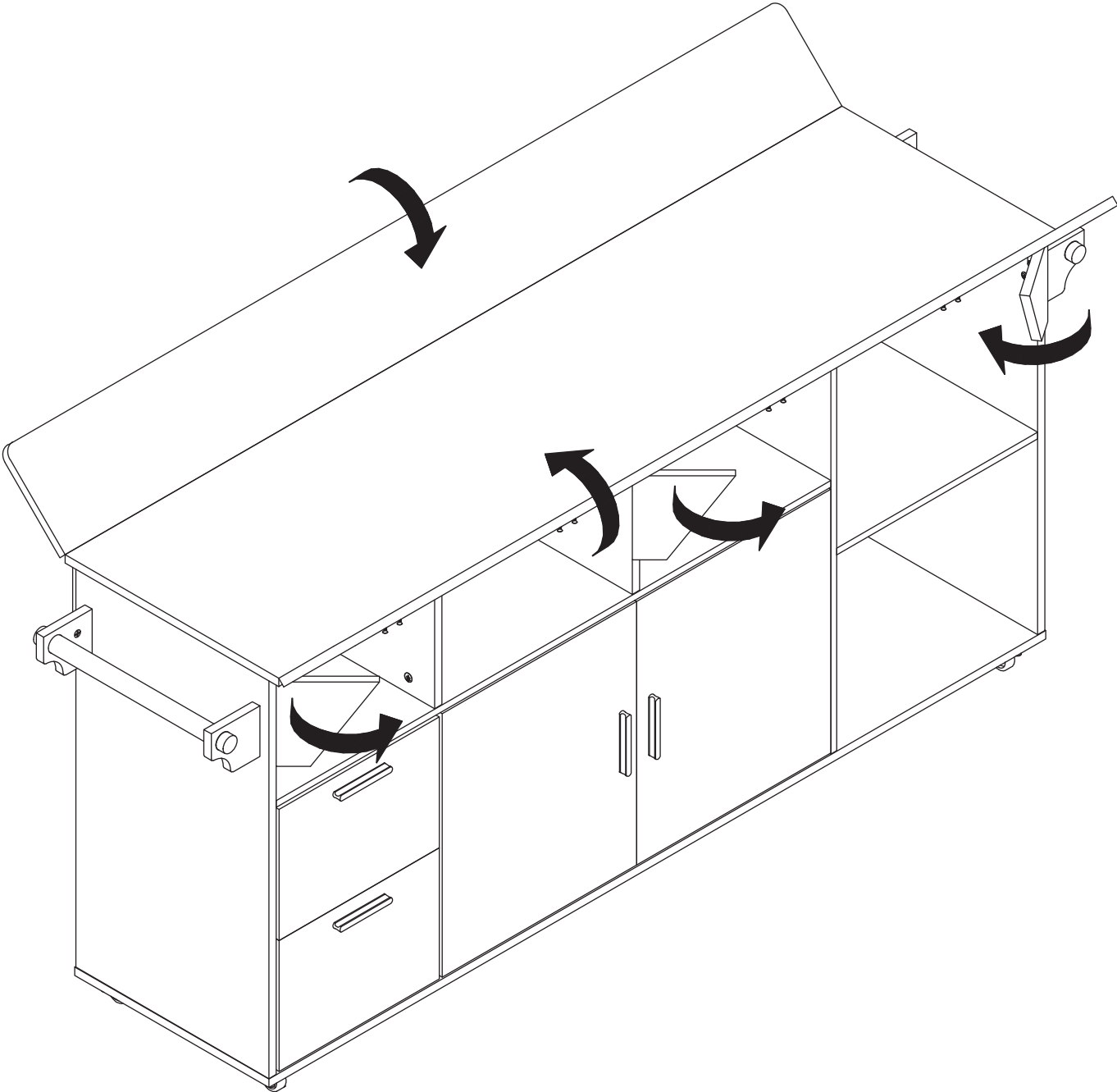
Attach part(F) to panel 18 and 25 as shown.



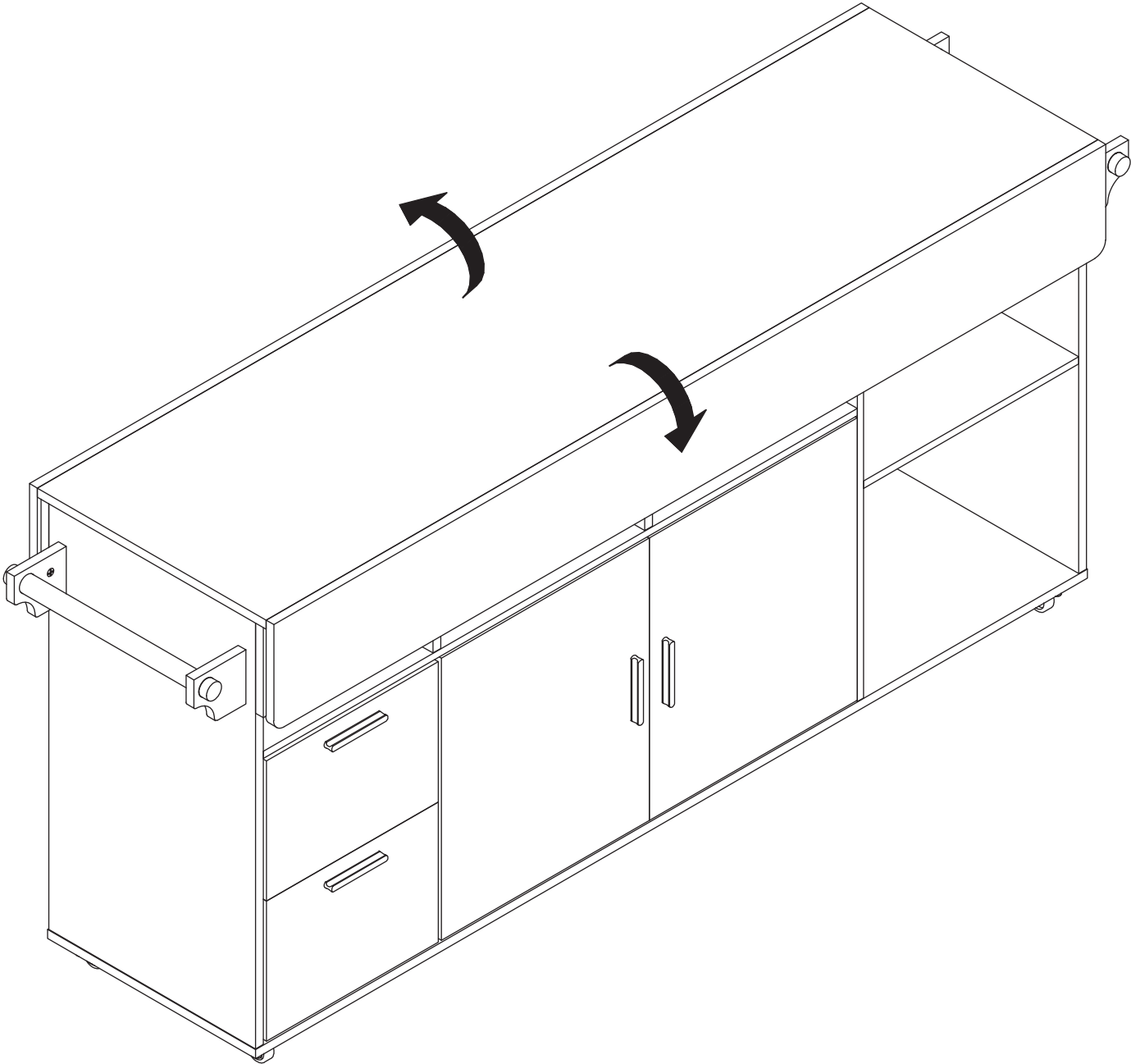
30



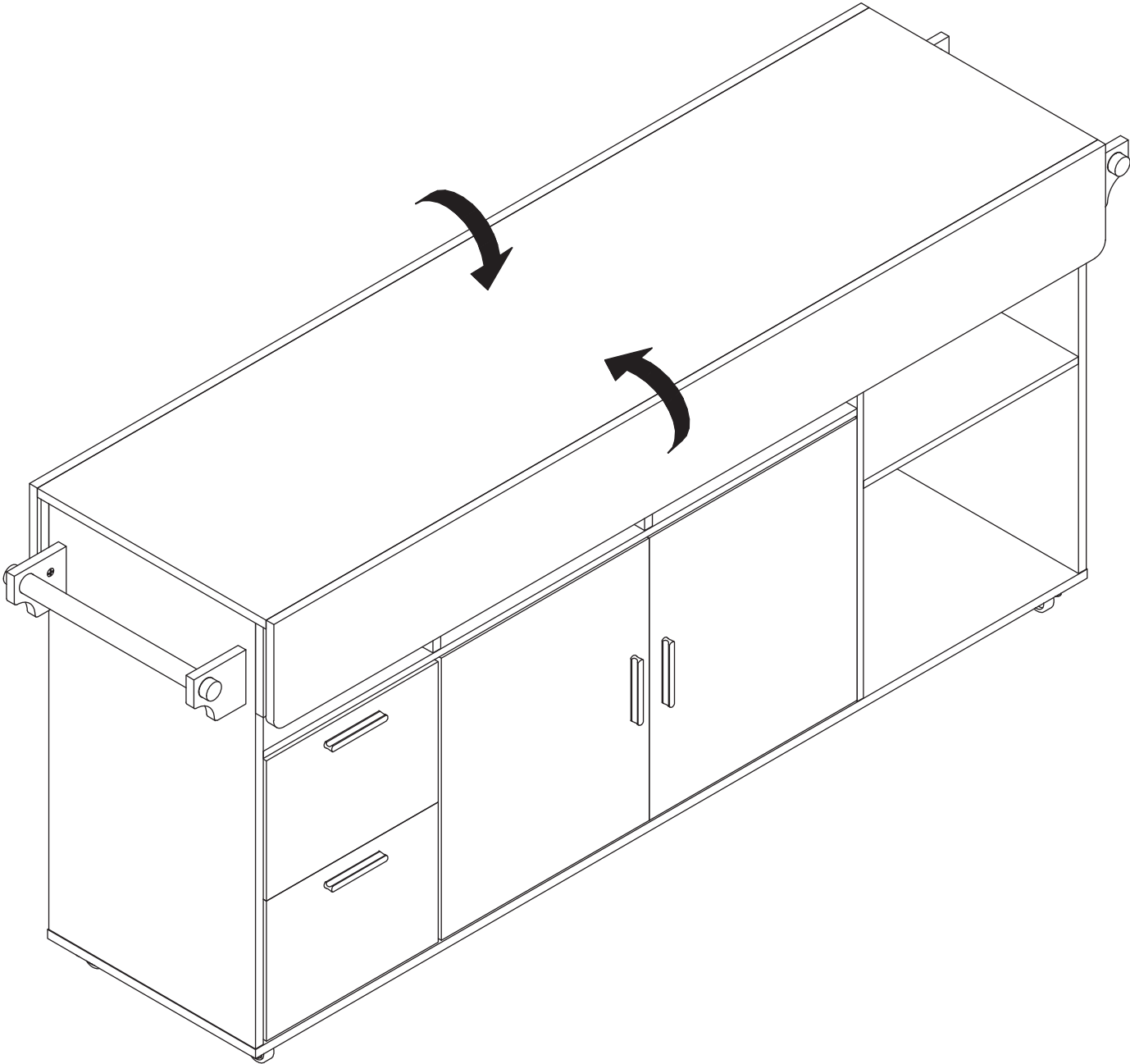
31



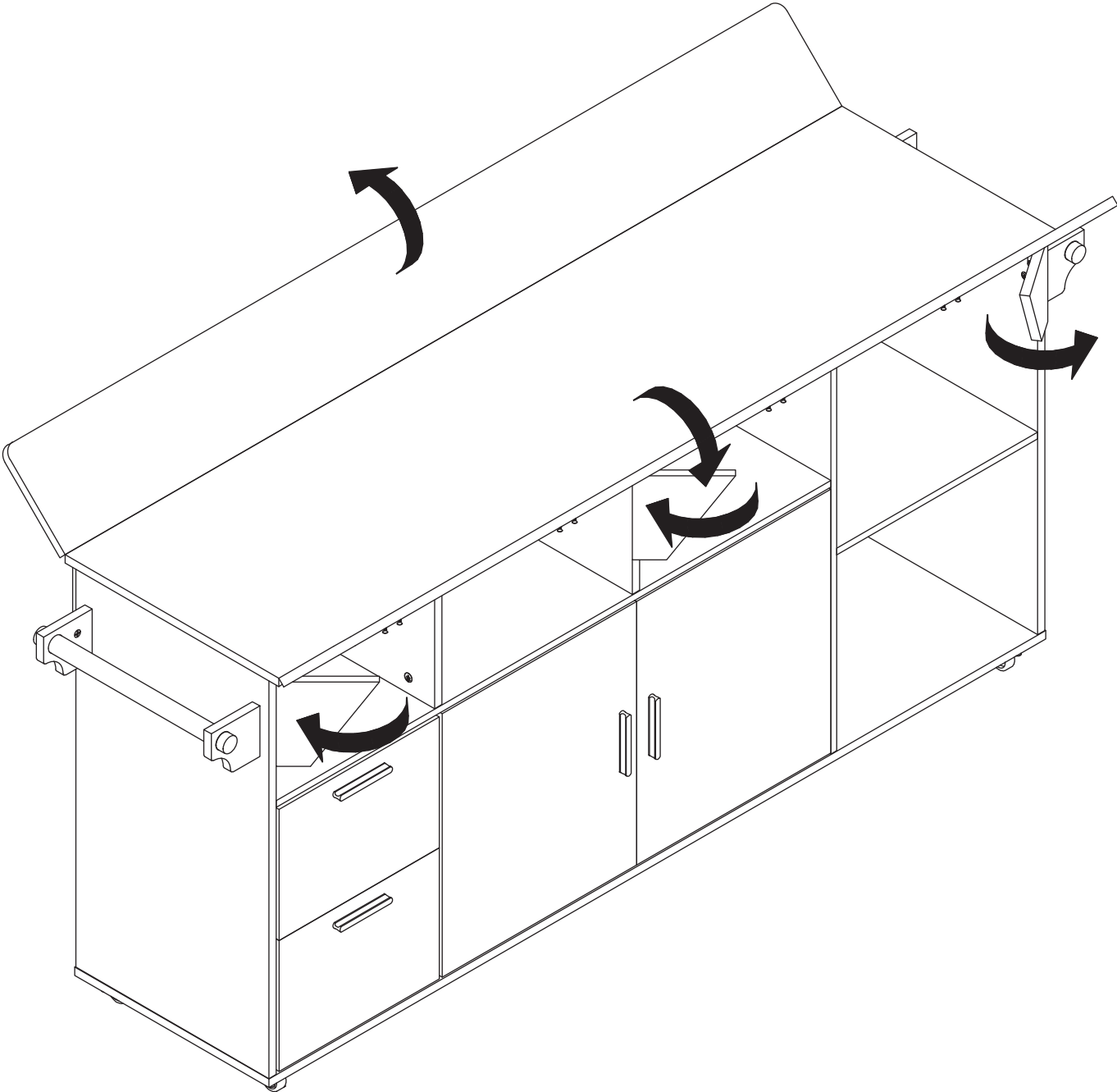
32



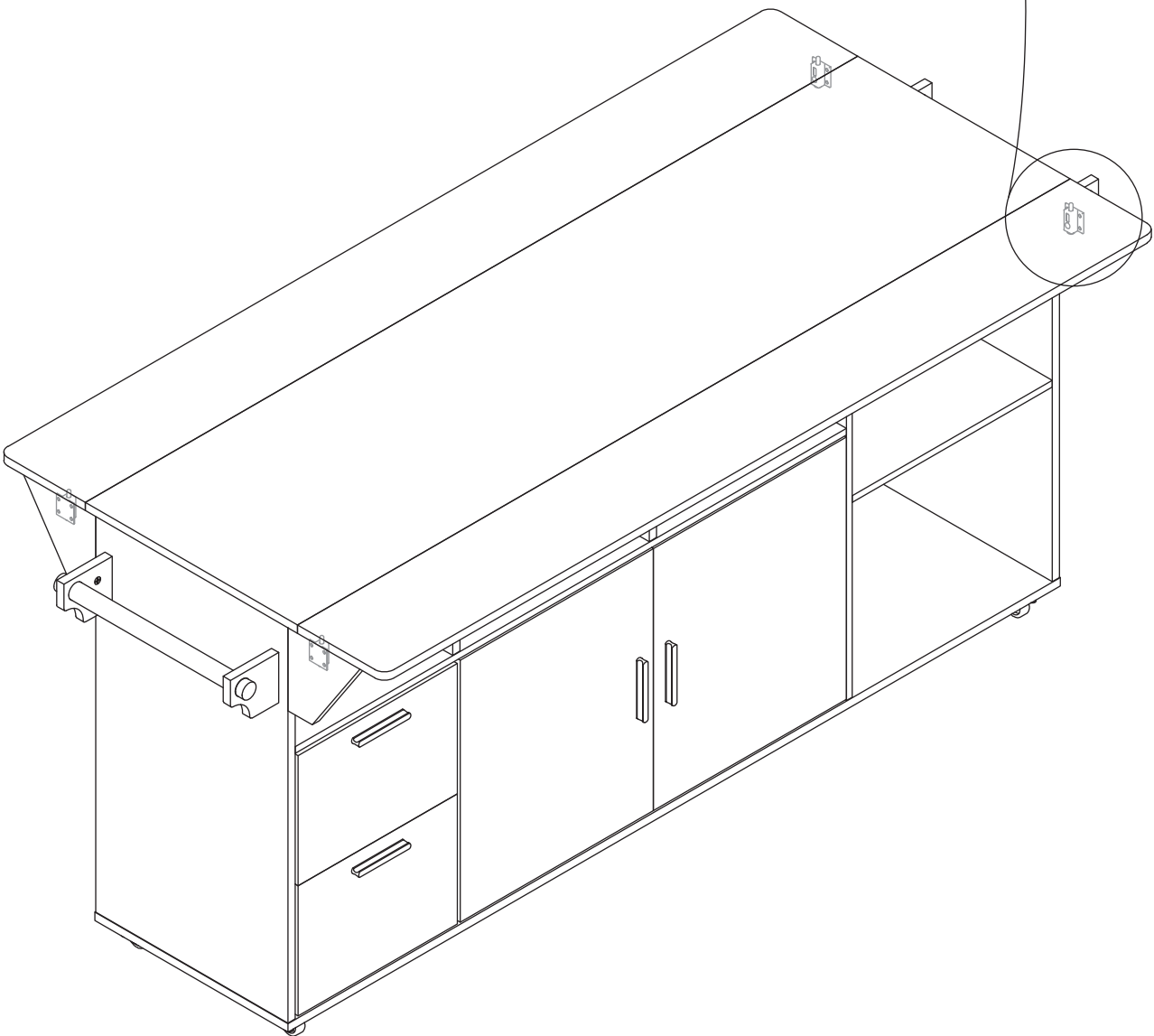
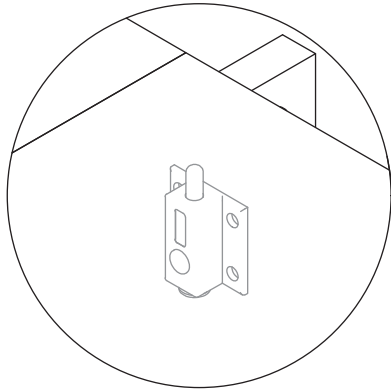
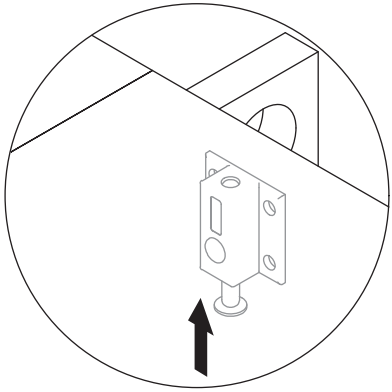
33



34

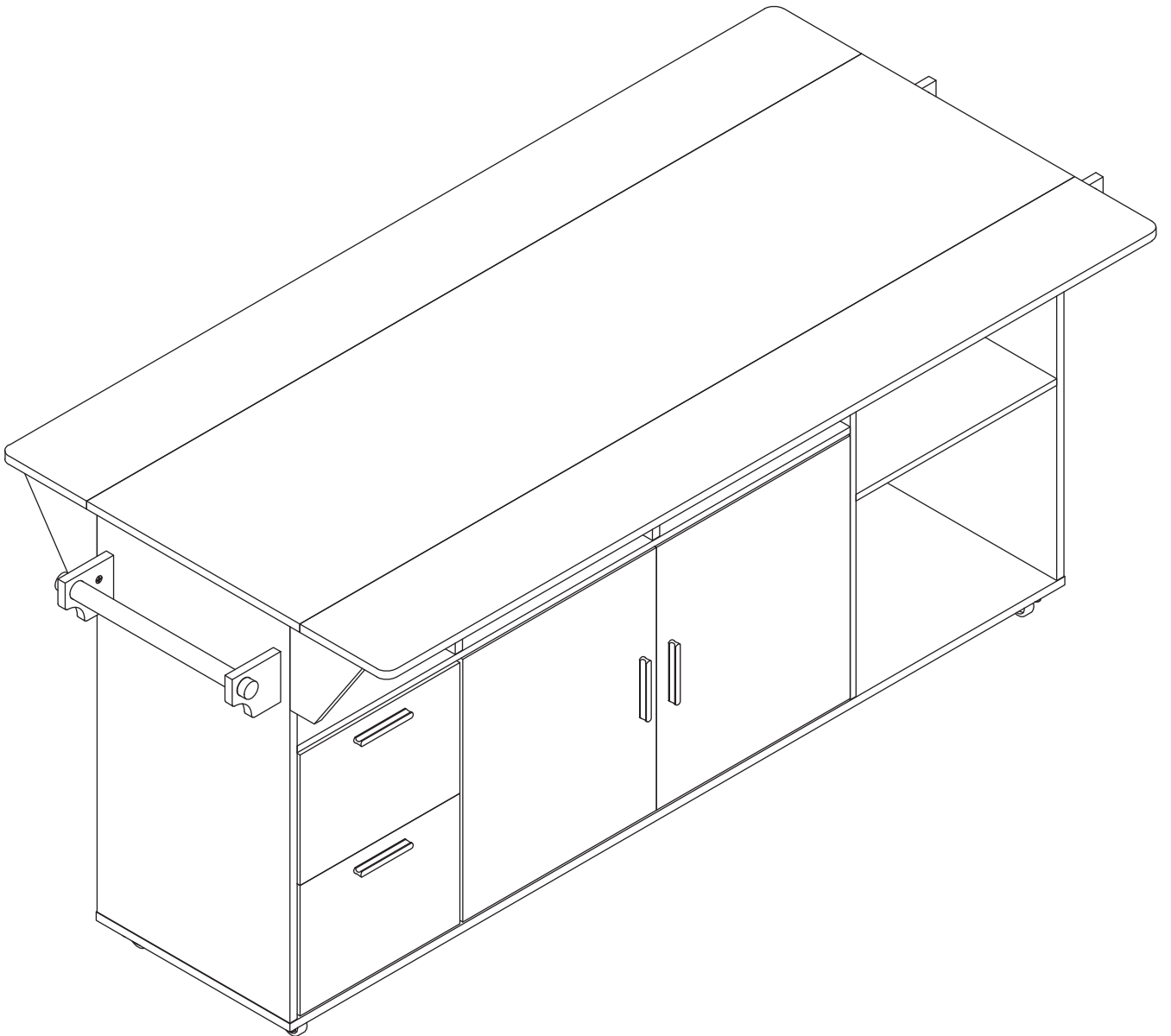
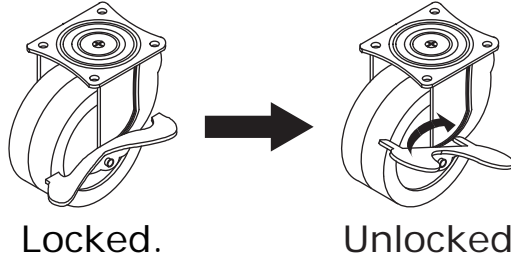


35





Unlock the wheel to move around.



WARRANTY

WARRANTY CLAIMS

- There is a 30-day warranty for broken furniture or any other problems that do not work properly. The warranty will start from the date of purchase which must be verified by proof of purchase.
- Before making a claim, we may be able to answer your query, simply call us. Please leave your purchase order number, along with some details of the problem, if you want a replacement part. We will arrange within 48 hours. If there is out of stock, we will reply with a shipping date.
- The product must be used in accordance with the instructions provided. For health reasons.
- For other reasons, if the furniture needs to be returned, it must be cleaned and dried and operated within 30 days of receipt.

Type of Warranty Claim

- Failure to follow the furniture instructions will invalidate the warranty. Attention please.
- Does not include damage during installation, but includes damage during transportation.

Scope of responsibility

- Shall not bear any responsibility for misuse or user damage and / or loss of parts during the installation of furniture.
- After using, the damage and scratches of the furniture are not covered by the warranty.

The Warranty Relates to All Bought in The Us and Covers The Following Areas

- Sheet parts: 1 month from the date of purchase.
- Electrical parts: 1 month from the date of purchase.

RETURNS

CHANGED YOUR MIND AND NEED TO RETURN YOU ITEM?

PLEASE FOLLOW THE BELOW INSTRUCTIONS:

- If you have purchased and have simply changed your mind, follow the retailer's instructions for returns.

DEFECTIVE ITEMS

- If your item is defective in any way, i.e. it doesn't work but you can't identify why, in the first instance, please call us.

DAMAGED ITEMS

- If you receive an order with obvious shipping damage from the retailer, then we suggest the delivery is refused. If the delivery has been accepted and then shipping damage is found, please follow the specific instructions advised by the retailer.
In all circumstances please save all packaging material and paperwork for the order. Please be aware that if you dispose of packaging material or attempt to return the merchandise without contacting the fulfiller, you jeopardise your chances of making a claim, and you may not receive a credit for the return.