

**Talis C**  
**Bar Faucet, 1.5 GPM**  
 Finishes : **chrome** Part no. : **04217000**



**Description**

**Features**

- Swivel range 150°
- Aerated spray
- deck mounted
- Flow: 1.5 GPM (5.7 L/Min)
- Ceramic cartridge
- 3/8" connections

**Item details**

List Price \$ 476.00

**Technology**



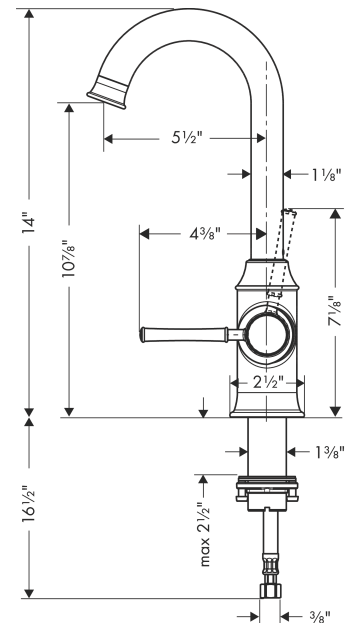
**Compliance**



**Product image**



**Scale drawing**

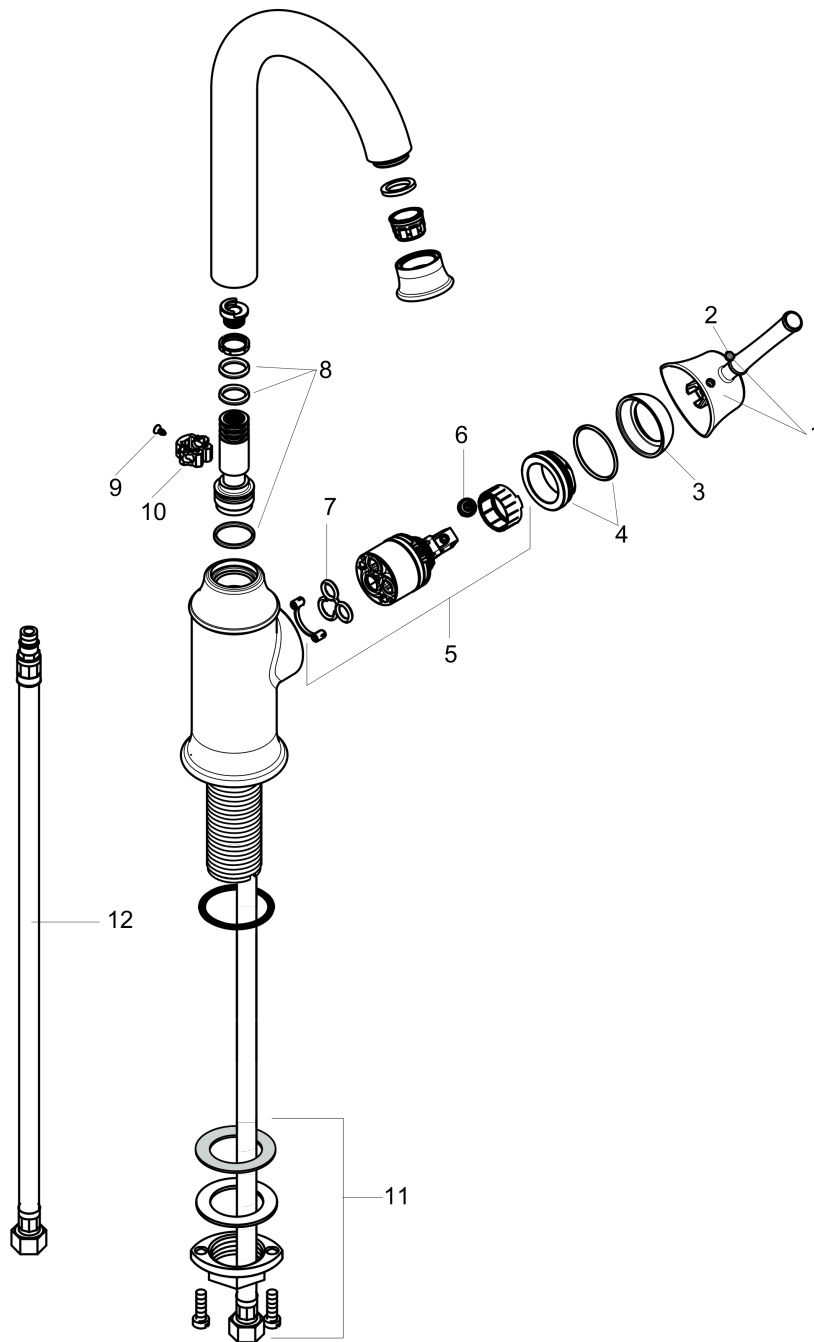


**Talis C**  
**Bar Faucet, 1.5 GPM**  
 Finishes : **chrome**    Part no. : **04217000**



Exploded drawing

Year of production: >10/18



**Talis C**  
**Bar Faucet, 1.5 GPM**  
 Finishes : **chrome** Part no. : **04217000**



**Spare parts list**

Year of production: >10/18

Pos.	Description	Part no.	Price	PU
1	handle	95900000	-	1
2	screw cover	96338000	-	1
3	flange	97406000	-	1
4	nut	96461000	-	1
5	cartridge, assy	92730000	-	1
6	locking screw for handle	96059000	-	1
7	seal	95008000	-	1
8	sealing set	92646000	-	1
9	screw	97662000	-	1
10	axialring	97558000	-	1
11	fixing set (Ø 34)	95049000	-	1
12	connection hose 35½" M8x0,75 3/8"	96316001	-	1