

Installation Instruction

Cold Plunge Tub

WOODBIDGE®

Model: AIC5910
AIC6710



READ ALL INSTRUCTIONS BEFORE UNPACKING THE PRODUCT

INSTRUCTIONS THAT, IF IGNORED, COULD RESULT IN DEATH OR SERIOUS INJURY CAUSED BY INCORRECT HANDLING OR INSTALLATION OF THE PRODUCT. THESE INSTRUCTIONS MUST BE OBSERVED FOR SAFE INSTALLATION.

CAUTION!



**TWO PEOPLE
LIFT REQUIRED**

**2 PEOPLE ARE REQUIRED TO LIFT AND DURING
ENTIRE INSTALLATION OF THIS PRODUCT**

This product must be installed by a fully insured and licensed bathtub installer. For chiller maintenance, troubleshooting, or refrigerant refill, please hire a licensed HVAC installer. This product uses R410A refrigerant.

We are not responsible for local code compliance for this product. Building and plumbing codes may vary from state-to-state in accordance to your location. We are not responsible for providing any compliance certifications.

Under no circumstances we are liable for any and all incidental damages sustained in connection with this product. Neither manufacturer, distributor or retailer is responsible for water damage or flood caused by the usage of this product.

Under no circumstances we are liable for any and all fees, cost of installation/reinstallation/removal, subsequent damages or transportation in case of the product defect.

The connection instructions in this manual are for general reference. The actual connections may vary by the type of cold plunge tubs you purchase.



1. Precautions for use

Before use

- ① Ensure the power source matches the rated voltage of the chiller, which is 110-120V.
- ② The power switch should be set at 1.4 meter or higher, so children cannot reach it.
- ③ Please fill up the tub to above the minimum water level line before use (higher than the water inlet and outlet).

In use

- ① Do not operate the chiller when there is no water in the tub and no water in the chiller filter cartridge container. Otherwise, you may damage the chiller.
- ② The chiller needs to be at least 2 feet (60cm) away from solid obstacles, such as a wall, on the fan side (air-in). The chiller needs to be at least 5 feet (150cm) away from solid obstacles, such as a wall, on the other side (air-out). This will ensure optimum air flow inside the chiller. Otherwise, you may damage the chiller.
- ③ Do not remove the tub insulation cover when the chiller is trying to cool down the water. If the cover is removed, the cooling effect will be inefficient. The compressor needs to work extra hard, which may cause current overload.

After use

- ① Please cover the cold plunge tub to prevent debris, such as sands and leaves to get into the tub. Debris may cause blockage inside the chiller.
- ② When the environmental temperature is below 32°F (including 32°F), the water in the chiller system may freeze, resulting in cracking, if not used in a long time. Please drain the water if you do not plan to use the chiller in such cold conditions.
- ③ Please clean the chiller filter cartridge and tub water inlet net after use. Remove any debris, such as sands and leaves, to prevent blockage inside the chiller.

2. Safety Regulations

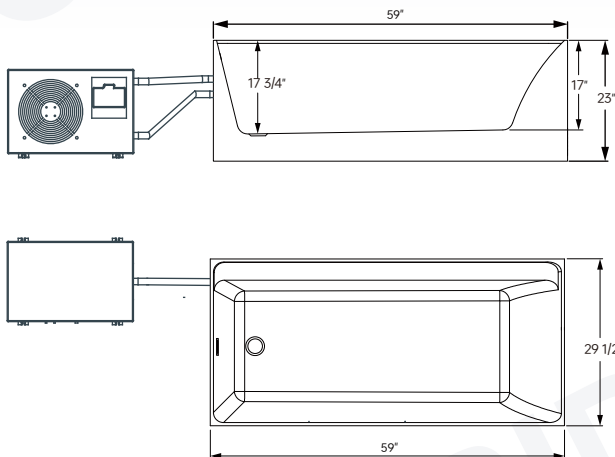
- ① The bathtub must be installed and used according to this manual.
- ② Children can use it but must be under adult supervision, don't let them play with the chiller to prevent any danger.
- ③ It is contraindicated to those who experience skin erosion or any unhealed wounds due to surgery.
- ④ Use with caution after drinking alcohol.
- ⑤ Consult with your doctor before use when you're feeling sick, taking medication, or pregnant.
- ⑥ Don't insert objects such as fingers and sticks into the chiller element to prevent danger.
- ⑦ Don't use hair dryers, lights, cell phones, iPads, radios, or any other electrical appliances within 5 feet of the chiller.
- ⑧ Water temperatures above 100°F may cause hyperthermia and/or other health problems. Check the water temperature and adjust it to your comfort.
- ⑨ Don't overfill the tub before getting in the water. Overfilling can lead to spills and slippery conditions when entering the tub. Be extremely careful when entering and exiting.
- ⑩ The power cord plugs, sockets, and switches of the equipment should be in places out of the reach of children and should be protected from rain to prevent danger.

3. Product information

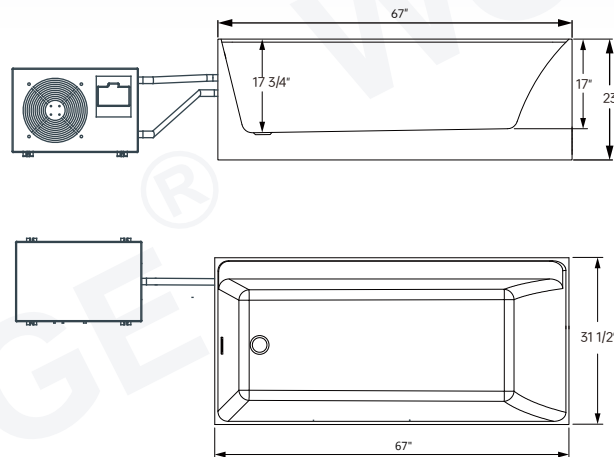
Product Name: Cold Plunge Tub

Model: AIC5910 AIC6710

AIC5910



AIC6710



Accessories in Tub package:



● Insulated Tub Cover*1



● Black Hard Hose*2

4. Working principle

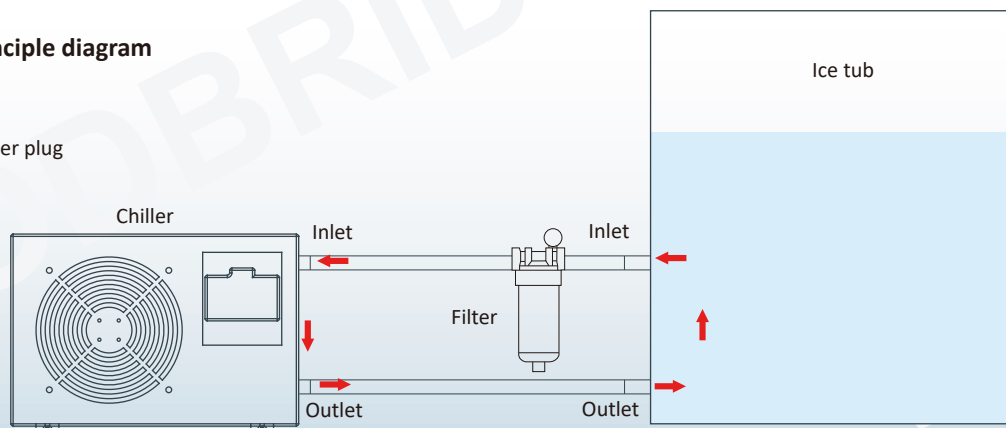
The chiller cools down the water with the compressor inside. Then, the water circulates back to the wooden tub to lower the temperature of the tub water. In certain models, the chiller can also warm up the water with its built-in heater.

Water Circulation: Wooden Tub -> Water Filter -> Chiller -> Wooden Tub -> Water Filter -> Chiller -> Wooden Tub -> Repeat

Note: Depending on the size of the tub and the environmental temperature, the tub water may take more than 15 minutes to increase or decrease 1 degree.

Principle diagram

Power plug



5. Installation Instruction

Chiller installation

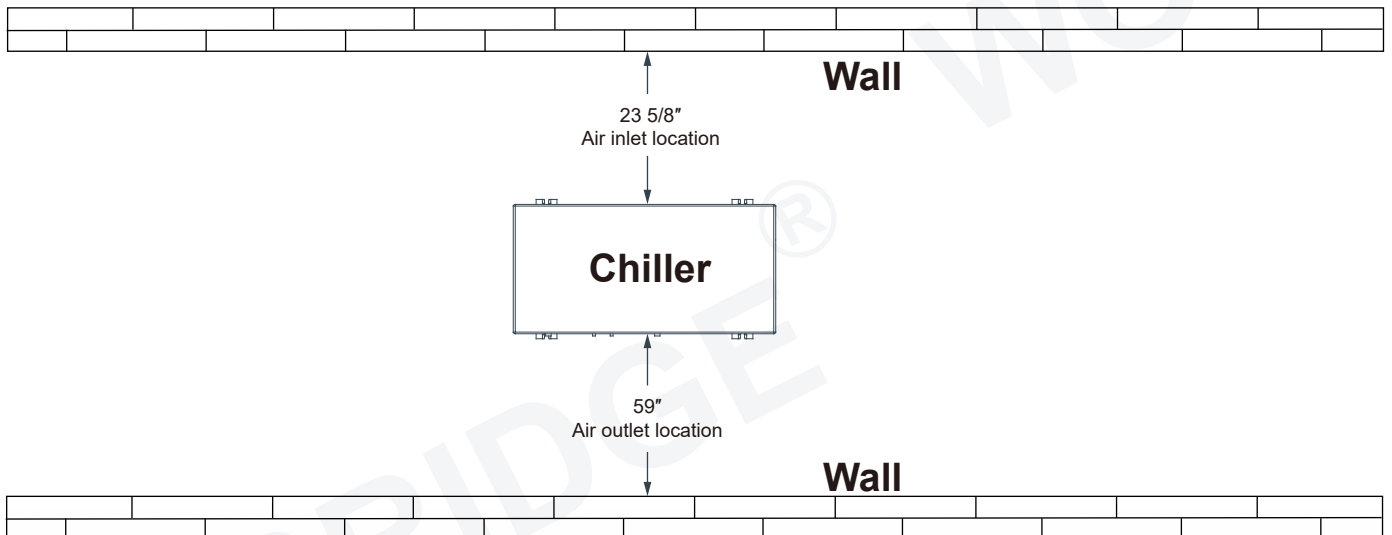
- ① Install the chiller in a stable place to avoid the impact of water level backflow. The ice tub's inlet hole should be set to a higher level than the inlet of the chiller.
- ② Install the chiller in a clean place. Avoid too much debris gets into the tub to block the chiller system.
- ③ Install the chiller in a well-ventilated place to facilitate the exhaust of the chiller.



Hoses, chiller housing/pipelines, and tub exterior may have condensation. This is a natural phenomenon, caused by temperature difference.



1. Air inlet needs to be at least 23 5/8" away from solid obstacles, such as walls. Air outlet needs to be at least 59" away from solid obstacles (farther away the distance, less the noise is).
2. The distances mentioned above need to be strictly followed. The chiller cannot be too close to solid obstacles, such as walls. The operation of the chiller needs the air inlets and outlets. The air enters from the inlet side and comes out from the outlet side. Only when the air flow reaches a balanced circulation can the best cooling effect be reached.



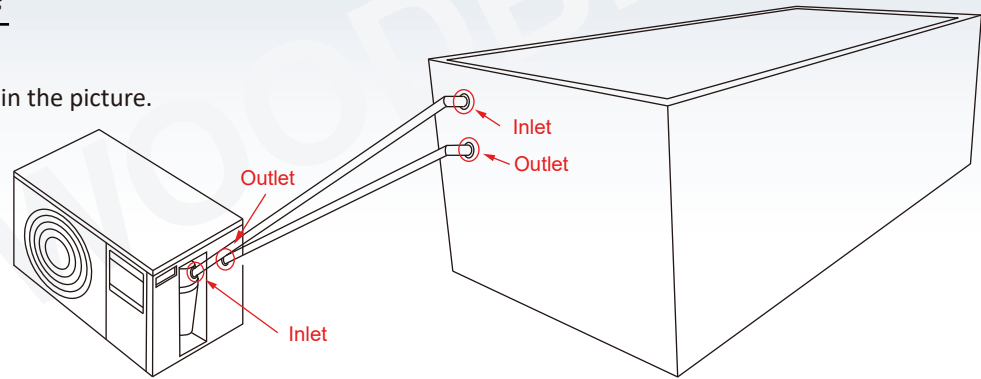
Chiller power distribution

- ① Please take safety precautions before powering any connections.
- ② Connection or replacement of wiring should comply with electrical specifications and should be performed by professionals.
- ③ Make sure the chiller voltage is consistent with the local supply voltage. The chiller is 110-120V.



6. Cold Plunge Usage

- ① Hoses connection
Connect the hoses as shown in the picture.

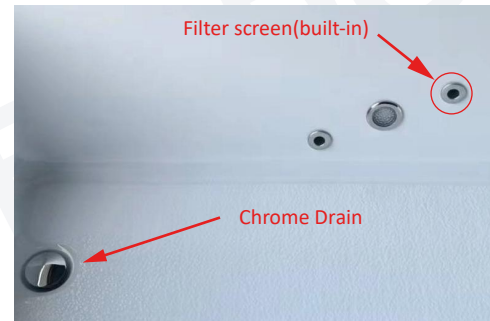


1. The cold plunge should be installed on a stable platform to avoid the influence of back flow of water level.
2. If the hoses are too narrow, they will affect the water flow and cause the chiller system to malfunction or underperform.
3. You need to find a suitable place for draining to avoid poor drainage of the cold plunge.
4. Please fill up the tub to above the minimum water level before use (higher than the water inlet and outlet inside the tub).

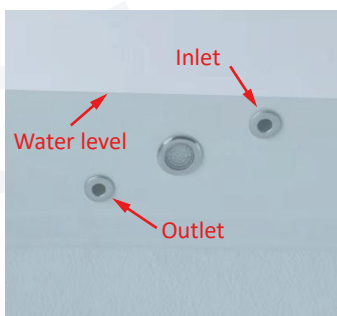
- ② Check and make sure the tub inlet is unobstructed (filter screen built-in) every time before usage.
The water inlet should be kept unobstructed, and the tub is kept clean. (there should be no garbage)



Clean the tub filter screen (built-in) before use, it can help prevent small debris from going into the chiller. Regularly cleaning the tub filter screen can prolong the operational life of the chiller.



- ③ Water filling
Start to fill water into the cold plunge with a water hose; Continue to inject water so that the water level is higher than the tub inlet and outlet.
- ④ Use a water hose to inject water DIRECTLY into the tub water inlet. Bubbles will be flushed out from the tub water outlet. This procedure will remove any air stuck in the chiller system.
- ⑤ Keep injecting water DIRECTLY into the tub water inlet until no more bubbles are coming out from the water outlet. This may take 2-3 minutes. When done, please remove the hose.



***Due to the varied materials used, these photos are for illustrative purposes and may not accurately represent the actual content.**

IMPORTANT: If the air is not flushed out of the chiller completely, the cooling/heating function of the chiller will be drastically reduced.



Warning: Please make sure the chiller is always running with water. Do not run the chiller without water. The chiller can only be turned on after the water level is higher than the minimum water level line (higher than the tub water inlet and outlet)



⑥ Chiller operation

Useful tips:

1. Make sure the air inlet (fan side) and outlet are not blocked.
2. Need to fill up the water higher than the minimum water line (higher than the tub water inlet and outlet).
3. Clean the tub filter net before every use.
4. Do not remove the tub insulation cover when the chiller compressor is working. Keep the tub cover on until the tub water reaches the target temperature.
5. The tub insulation cover makes the cooling more efficient and faster. If you try to cool down the tub without the cover, you will waste more energy and may overload the chiller, causing machine errors. (The errors are temporary to protect the chiller from damage.)
6. The ozone generator's working life is ten thousand hours. After reaching its limit, please replace it with a new ozone generator.

7. Technical Specification

Cold plunge Parameters

Model	AIC5910	AIC6710
Outer dimensions	59" x 29-1/2" x 23"	67" x 31-1/2" x 23"
Volume	250L / 66gal	275L / 72.6gal
Capacity person	1	
Material	Acrylic	
Drain	Included	
Inlet and Outlet	Included	

FAQ:

① Why has condensate water come out from the chiller?

This is caused by temperature difference between the inside and outside of the chiller pipe system.

② Why has smoke coming out from the chiller?

When chiller is defrosting under the heater mode, it may generate smoke-like vapors. This is normal.

③ The chiller has its own filter, so why is the water still turbid?

The filter mainly filters hair, dandruff, etc. from entering the chiller system to ensure the normal operation of the chiller. If you want to achieve the purpose of purifying water, you can add flocculant and Water purifier for clarification treatment.

④ How to perform maintenance during extreme weather? How to prevent pipelines from freezing and breaking?

It will need to blow out all the water in the pipes, and fill them with water again when starting up later. Because if has water inside the pipes, it will freezing and crack.



Woodbridge warrants its products as listed in below to be free of material and workmanship defect, subjected to the limitations set forth in this limited warranty.

- Bathtub, Whirlpool/Air Bubble Massage Tub, Cold Plunge, 1 Year limited to be free of defects in material and workmanship.
- Sauna room and Sauna Tent : 1 Year limited to be free of defects in material and workmanship.
- Toilet and Bidet : 1 Year limited to be free of defects in material and workmanship.
- Faucet : 1 Year limited to be free of defects in material and workmanship.
- Vanity and vanity top : 1 Year limited to be free of defects in material and workmanship.
- Granite, Marble, Engineered Quartz Vanity Top : 1 Year limited to be free of defects in material and workmanship.
- Medicine Cabinet, LED Mirror : 1 Year limited to be free of defects in material and workmanship.
- Sink : 1 Year limited to be free of defects in material and workmanship.
- Solid Surface Shower Wall Panel, Shower Base : 10 Years limited warranty to be free from material defects.
- Drain Cover and PVC Drain : 1 Year limited to be free of defects in material and workmanship.
- Shower Door : Lifetime warranty on glass components and 1 Year limited on other hardware.

This limited warranty is non-transferable and only applies to products purchased and installed in the United States and Canada.

This limited warranty excludes all industrial, commercial and business usage. Proof of purchase (original sales receipt) from the original purchaser, Description and pictures of defect, model number or model description must be provided to Woodbridge Bath for all warranty claims and Woodbridge Bath IS NOT responsible for labor cost, removal or installation costs.

This limited warranty shall not apply to goods which have been subject to accident, negligence, improper installation, product abuse, product misuse, or use of cleaners containing abrasives, alcohol or other organic solvents, whether performed by a contractor, service company, or yourself, are excluded from this warranty.

This warranty does not cover surface damaged caused by use of chemicals that break through or dissolve the surface finish or damage caused by the accidental dropping of sharp or heavy objects. Improper care and use of abrasive cleaners and will void the warranty.

During this limited warranty period if a malfunction occurs and after inspection it is determined that a defect developed during normal use, Woodbridge will as at its election proceed with any of the following options:

- (1) repair or replace the defective part(s) or product(s) at cost**
- (2) issue a refund of the original purchase price of the product(s) (Valid within 30 days from the date of purchase)**
- (3) issue a credit to be applied toward the purchase of a new product. Shipping/delivery charges may apply and are in sole discretion.**

Caution:

NEVER use cleaners containing abrasive cleaners, ammonia, bleach, acids, waxes, alcohol, solvents or other products that are not recommended for Chrome finish will void the warranty.

Woodbridge products should be installed by a fully insured and licensed contractor only. Installation by anyone other than fully insured and licensed contractor will void this limited warranty.

RESPONSIBILITIES OF OTHERS

Inspecting the unit prior to installation is the responsibility of the installer or building contractor who acts on behalf of the user. They are responsible for ensuring the unit is free of defect or damage. Notices are placed on the unit and on the shipping carton advising the installer of this responsibility. In the event of a problem, the unit must not be installed. Woodbridge is not responsible for failures or damage that could have been discovered, repaired, or avoided by proper inspection and testing prior to installation.

Damage occurring in transit is the responsibility of the carrier. The user or installer MUST open the crate and inspect the unit for damage when it is delivered. If damage is discovered, it must be reported immediately to the seller and the carrier in writing, and an inspection requested. Failure of the carrier to respond should be reported to the seller and the carrier. Your freight claims should be filed promptly thereafter.

This limited warranty does not cover any liability for consequential or incidental damages, all of which are hereby expressly disclaimed, or the extension beyond the duration of this limited warranty of any implied limited warranties, including those of merchant ability or fitness for an intended purpose.

DISCLAIMER

Except as expressly provided, there shall be no warranty or obligation, express or implied, oral or statutory. No dealer or other person has the authority to make any warranties or representations concerning our products. In no event shall we be held responsible for any such warranties or representations.

Some states/provinces do not allow limitations on how long an implied warranty lasts, or the exclusion or limitation of special, incidental or consequential damages, so these limitations and exclusions may not apply to you. This warranty gives you specific legal rights, you may also have other rights which vary from state/province to state/province.

To obtain warranty and replacement parts, please send e-mail to help@woodbridgebath.com with the original receipt information, Woodbridge will determine whether to repair or replace your product, issue a refund or issue a credit.

IMPORTANT!

DO NOT USE: Abrasive cleaners such as: acid, ammonia, bleach, and similar solutions. Use of such solutions may cause corrosion, finish peeling, and/or dull the surface.

DO NOT USE: Abrasive sponges or cloth. Never use steel, wool, or wired brushes that will permanently scratch the

Retain these installation instructions for future reference!

Thank you for using **WOODBRIDGE** products!

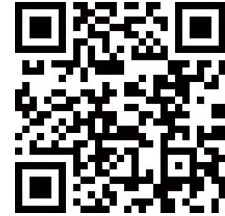
WOODBRIDGE[®]

California (Norwalk) Distribution Center
15600 Blackburn Ave, Norwalk, CA 90650

New Jersey (Somerset) Distribution Center
635 Pierce St, Somerset, NJ 08873

Florida (Orlando) Distribution Center
13645 S Orange Ave, Orlando, FL 32824

Canada (Ontario) Distribution Center
615 Orwell Street, Unit B, Mississauga, ON L5A2W4, Canada



Please don't hesitate to contact us if you have any questions or concerns.

Customer Service Phone: 562-229-0088. (Monday - Friday 9 AM - 5 PM Pacific Time)

Or Email: help@woodbridgebath.com