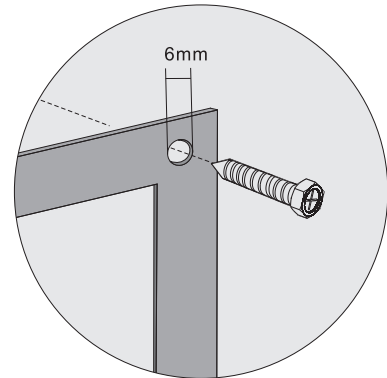
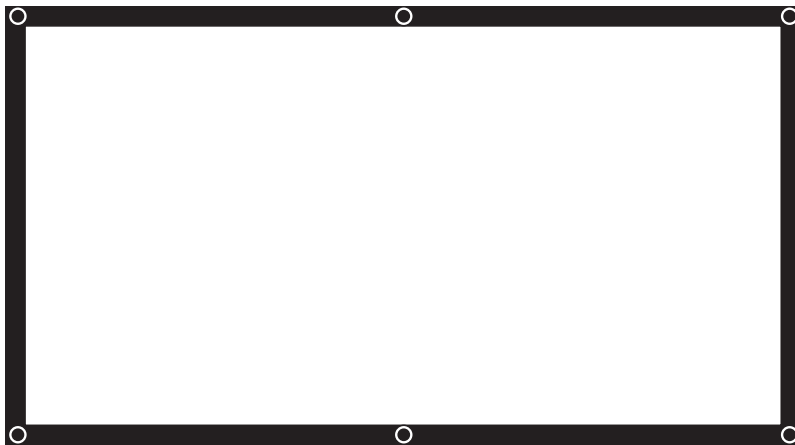


MI-640 Projection Screen

USER'S GUIDE



Thank you for choosing the MI-640 projection screen! Please read through this user guide before using the screen. Correct usage and maintenance will ensure a long product life.

Care & Use Instructions

Dust, dirt and scratches on the projection surface will affect the picture quality,

please take note of the points below to prevent that from occurring:

1. Do not touch the projection surface with your hands.
2. Do not write or draw on the projection surface.
3. Do not use fingers or sharp objects to point on the projection surface; this will damage the screen material.
4. Use a soft-damp cloth to clean the projection surface; do not use chemical cleaning agents or alcohol.
5. To avoid damage and injury, the screen should only be operated by adults.