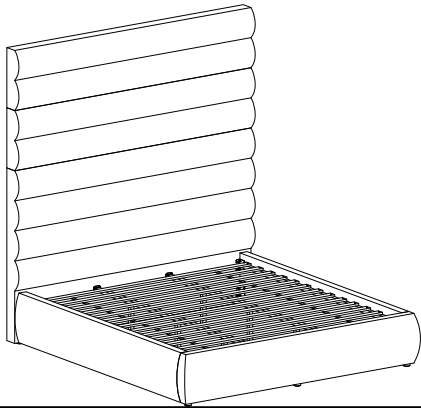


# ASSEMBLY INSTRUCTION

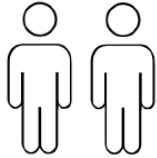
## King bed



### + Do Not Use Power Tools



### + Suggested Adults



#### NOTE:

- 1 Read instructions cover to cover.
- 2 Save all packaging until assembly is completed.

### 1 IMPORTANT SAFETY INFORMATION

**Do not** assemble the product if any of the following parts arrived damaged:

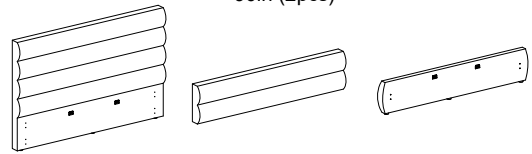
- Part # - Side Rails
- Part # - Center Support Bar
- Part # - Support Legs
- Part # - Slats

### 2 IMPORTANT ASSEMBLY INFORMATION

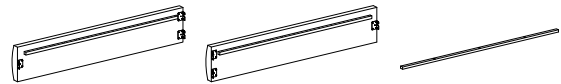
**Assembly Step** Ensure the side rail bracket is fully hooked onto bolt loosely threaded with both washers on the **OUTSIDE** of the bracket first, then proceed to fully tightening all 4 corners.

### + Parts Included

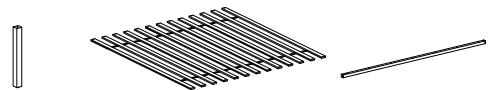
- ① Headboard (1pc)    ② Headboard Panel 70in (1pc) 90in (2pcs)    ③ Footboard (1pc)



- ④ Side Rail -Left (1pc)    ⑤ Side Rail -Right (1pc)    ⑥ Center Rail (2pcs)



- ⑦ Support Leg (6pcs)    ⑧ Slats (1pc)    ⑨ Connection Rod (3pcs)



### + Hardware Included

- A JCBC M8x50mm (21pcs)    B JCBC M8x40mm (18pcs)    C Flat Washer (36pcs)



- D Spring Washer (33pcs)    E Allen Key M5x70mm (1pc)    F CSK M4x32mm (30pcs)

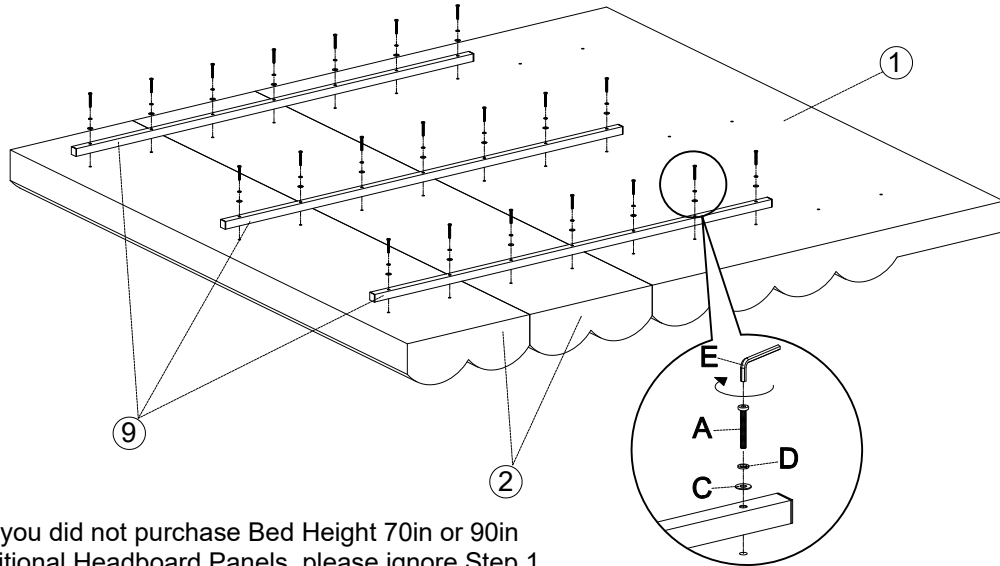


- G CSK M4x19mm (4pcs)



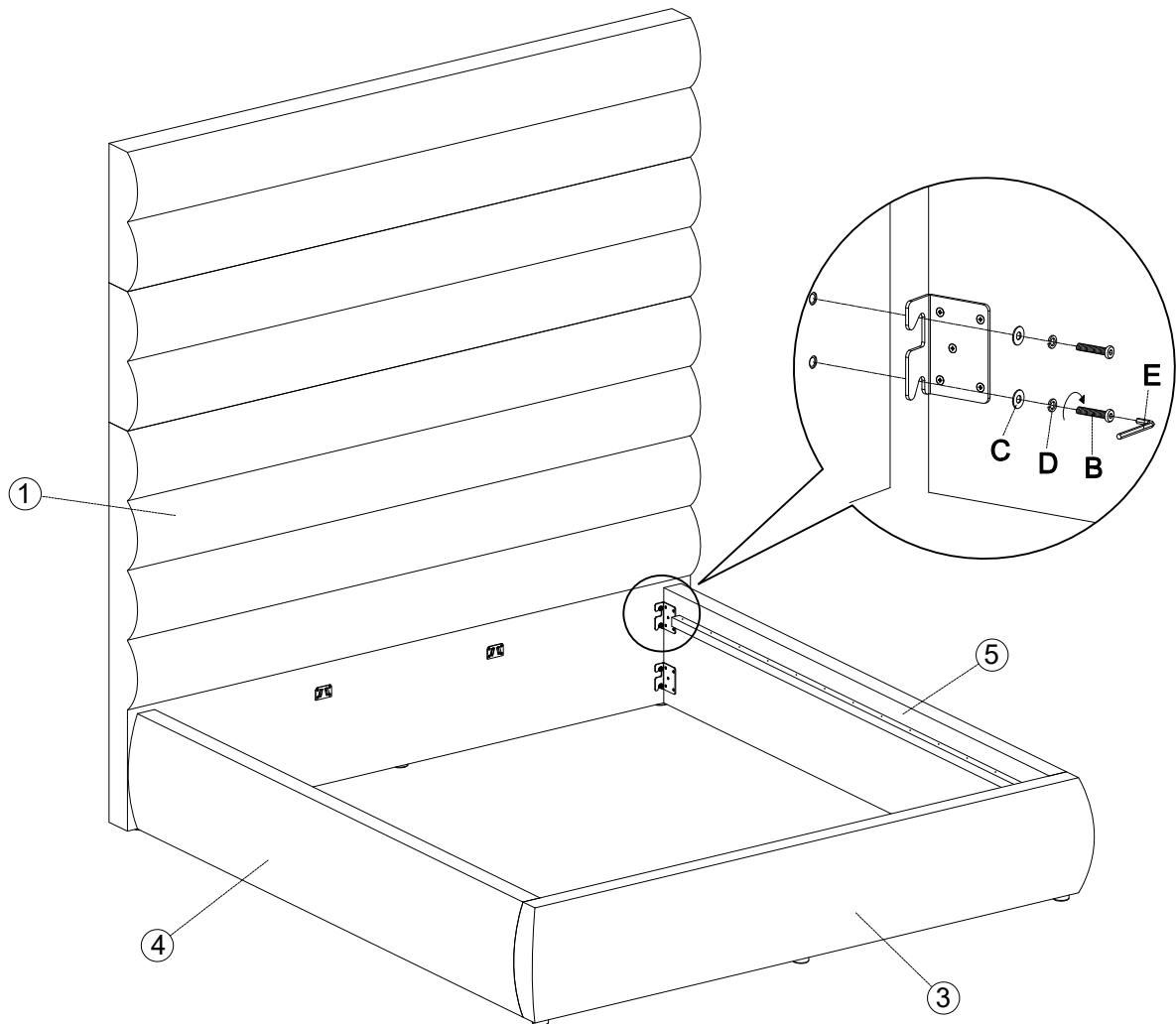
# ASSEMBLY INSTRUCTION

1



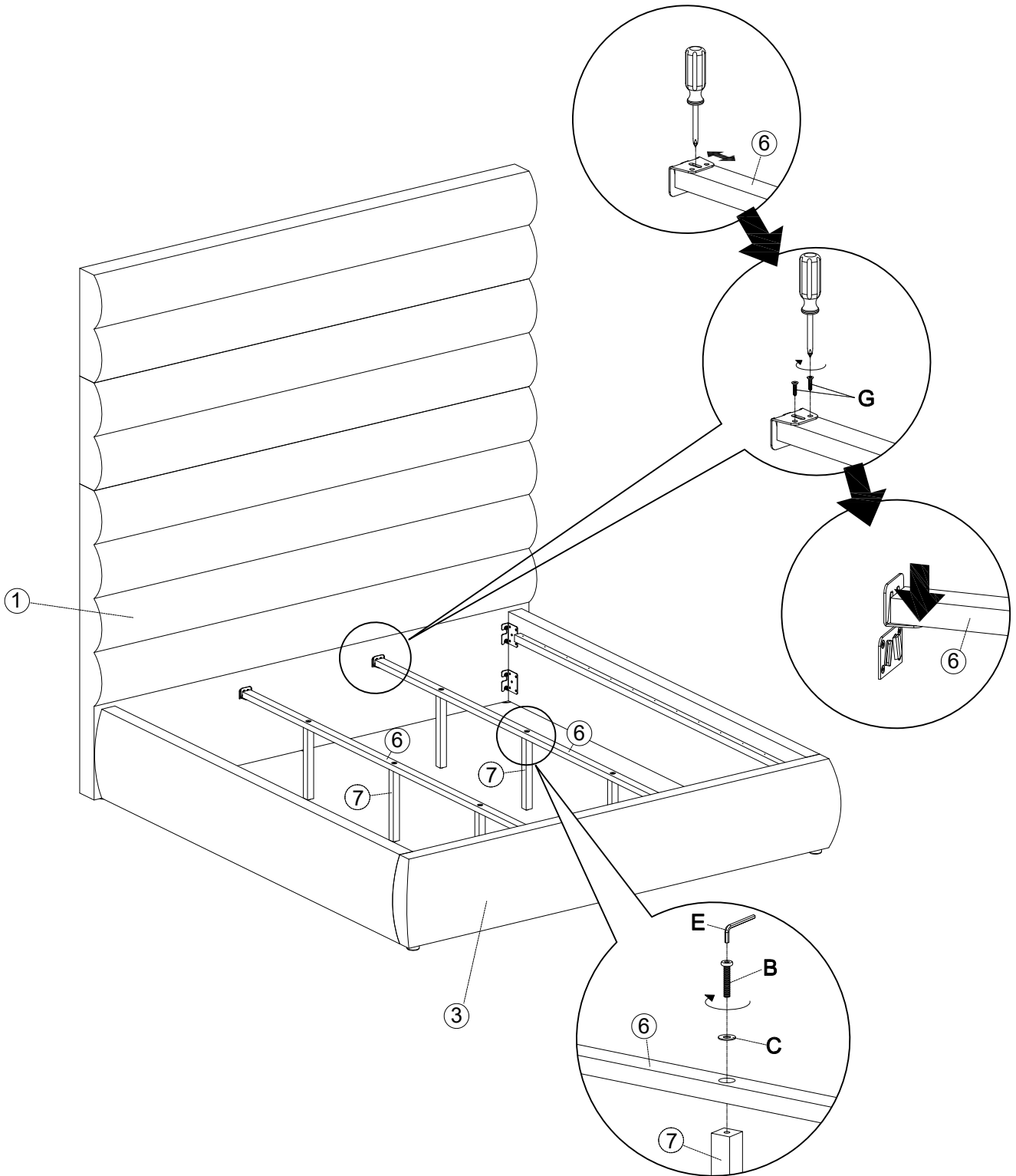
**Important:** If you did not purchase Bed Height 70in or 90in with the additional Headboard Panels, please ignore Step 1

2



# ASSEMBLY INSTRUCTION

3



# ASSEMBLY INSTRUCTION

4

