

INSTALLATION INSTRUCTIONS

Please read carefully and save these instructions, as you may need them at a later date.

CAUTION

WARNING: Risk of Fire. Consult a qualified electrician to ensure correct branch circuit conductor.

Turn off the main power at the circuit breaker before installing the fixture in order to prevent possible shock.

GENERAL

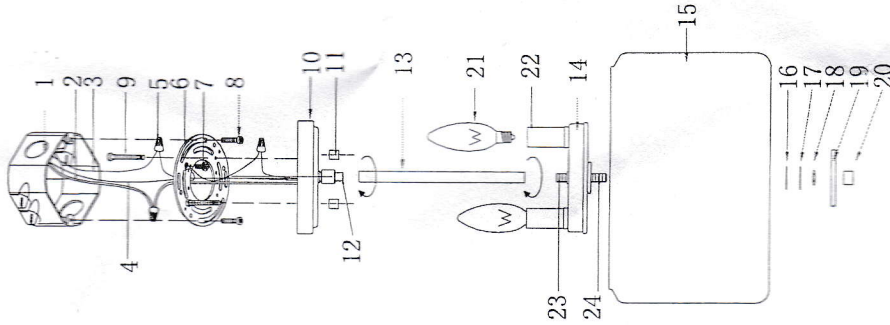
All electrical connections must be in accordance with local and National Electrical Code (N.E.C.) standards. If you are unfamiliar with proper electrical wiring connections obtain the services of a qualified electrician.

Remove the fixture and the mounting package from the box and make sure that no parts are missing by referencing the illustration.

ASSEMBLY AND INSTALLATION

1. Attach two mounting screws (9) to mounting plate (6) and tighten with hex nuts. Secure mounting plate (6) to outlet box (1) by threading box screw (8) through the key hole on the mounting plate (6).
2. Connect the stem (13) to the swivel (12), and put the fixture wires through stem (13) and connect stem (13) to the threaded nipple (23) on the fixture body (14).
3. Pull out the outlet wire and ground wire from the outlet box.
--Ribbed wire (W/O marking) or white wire from light to White wire (2) from power source.
--Smooth wire (W marking) or black wire from light to Black wire (3) from power source.
5. Attach the ground wire (4) to mounting plate (6) with a ground screw (7).
6. After the wires connected, raise canopy (10) so the two mounting screws (9) protrude through the holes on canopy (10) then tighten with round nuts (11).
7. Install bulb (21) to socket (22); (bulbs not included)
7. Slide glass shade (15) through threaded nipple (24) on fixture body (14), and put the washer (16), plate washer (17), over the threaded nipple (14) tighten with hex nut (18), put the cover plate over the threaded nipple (24) and tighten with round nut.
(Don't exceed the maximum capacity recommended on the sockets).

1. OUTLET BOX
2. WHITE WIRE
3. BLACK WIRE
4. GROUND WIRE
5. WIRE NUT
6. MOUNTING PLATE
7. GROUND SCREW
8. BOX SCREW
9. MOUNTING SCREW
10. CANOPY
11. ROUND NUT
12. SECURE SWIVEL
13. TUBE
14. FIXTURE BODY
15. GLASS
16. WASHER
17. PLATE WASHER
18. HEX NUT
19. COVER PLATE
20. ROUND NUT
21. BULB
22. SOCKET
23. THREADED NIPPLE
24. THREADED NIPPLE



INSTALLATION IS NOW COMPLETED