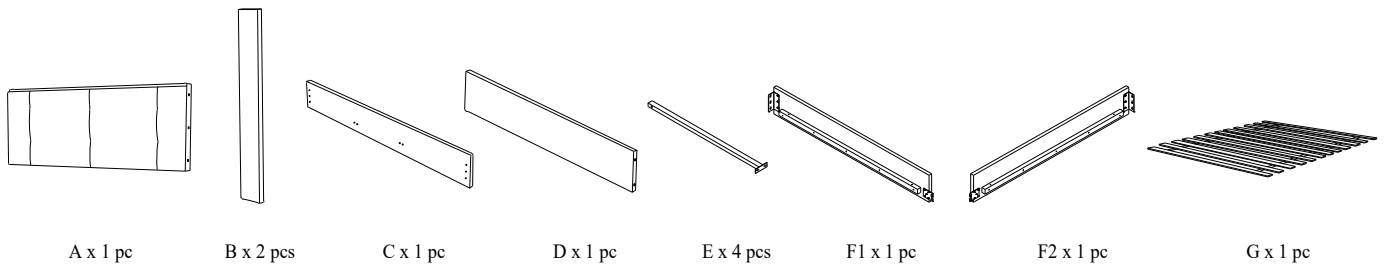


# HEADBOARD AND FOOTBOARD SET ASSEMBLY INSTRUCTION (TOTAL 1 BOX)

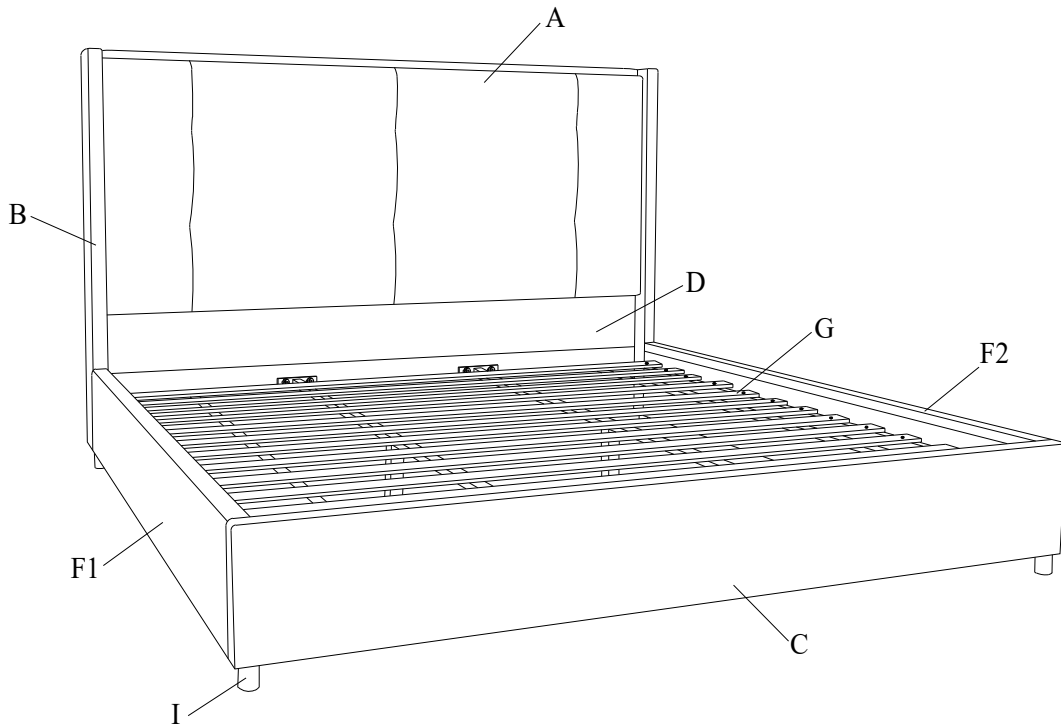


Please read over the instructions, it will be a time-saver in the long run.

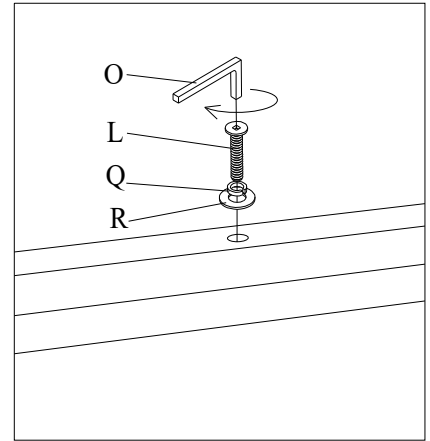
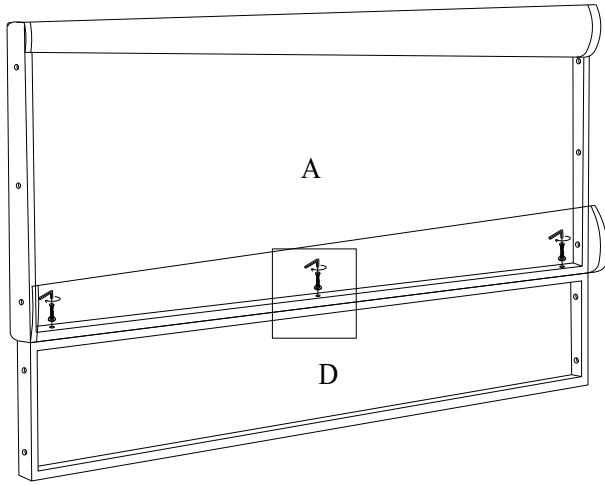
Note: Before assembly, please be sure to work on a soft flat surface to avoid any damage to the finish.

Please leave bolts loosened until all bolts are placed before tightening completely.

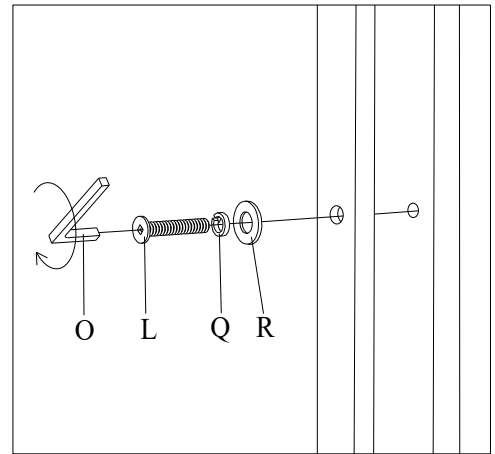
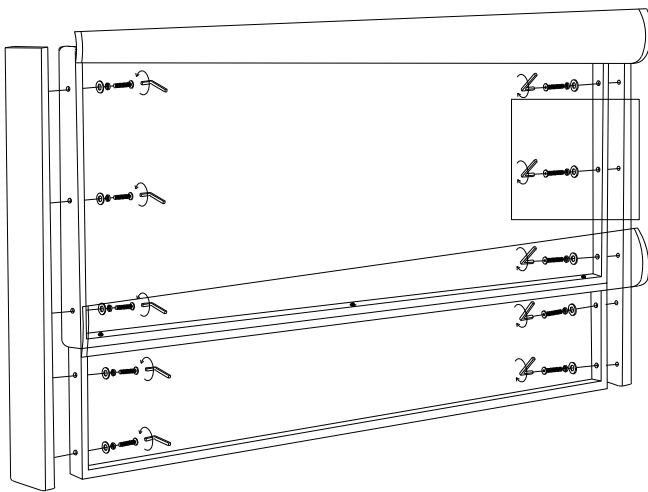
Part#	Picture	Description	QTY	Location	Part#	Picture	Description	QTY	Location
H		Center leg	2	Embossed film wrap	Q		Spring Washer Ø8	21	Hardware Pack
I		Legs	4	Embossed film wrap				12	Already in Place
J		Bolt Ø6x30mm	6	Already in Place	R		Flat Washer Ø8x25mm	21	Hardware Pack
K		Bolt Ø8x30mm	12	Already in Place				12	Already in Place
L		Bolt Ø8x60mm	13	Hardware Pack	S		Spring Washer Ø6	6	Already in Place
M		Bolt Ø8x70mm	4	Hardware Pack	T		Flat Washer Ø6x25mm	6	Already in Place
N		"L" Wrenches Ø4	1	Hardware Pack	U		Spanner Ø14	1	Hardware Pack
O		"L" Wrenches Ø5	1	Hardware Pack	V		Screws 4x30mm	24	Hardware Pack
P		Nut Ø8	4	Hardware Pack					



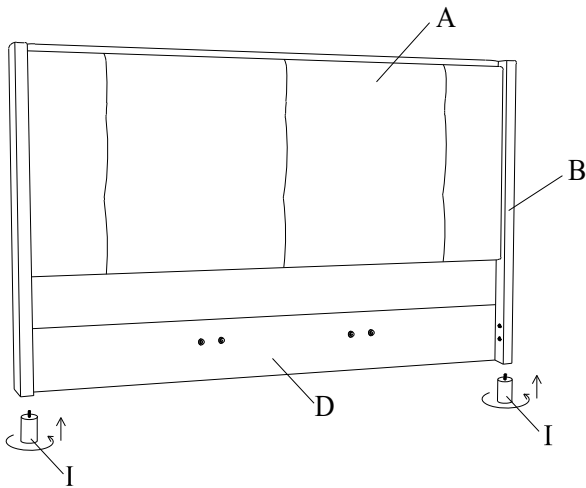
1



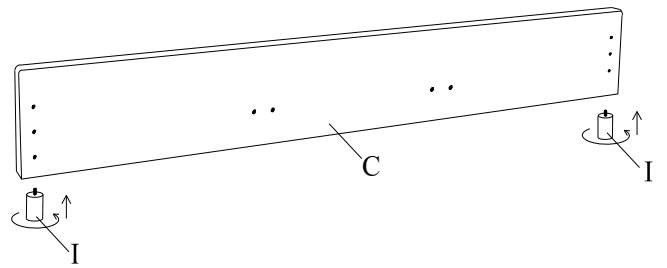
2

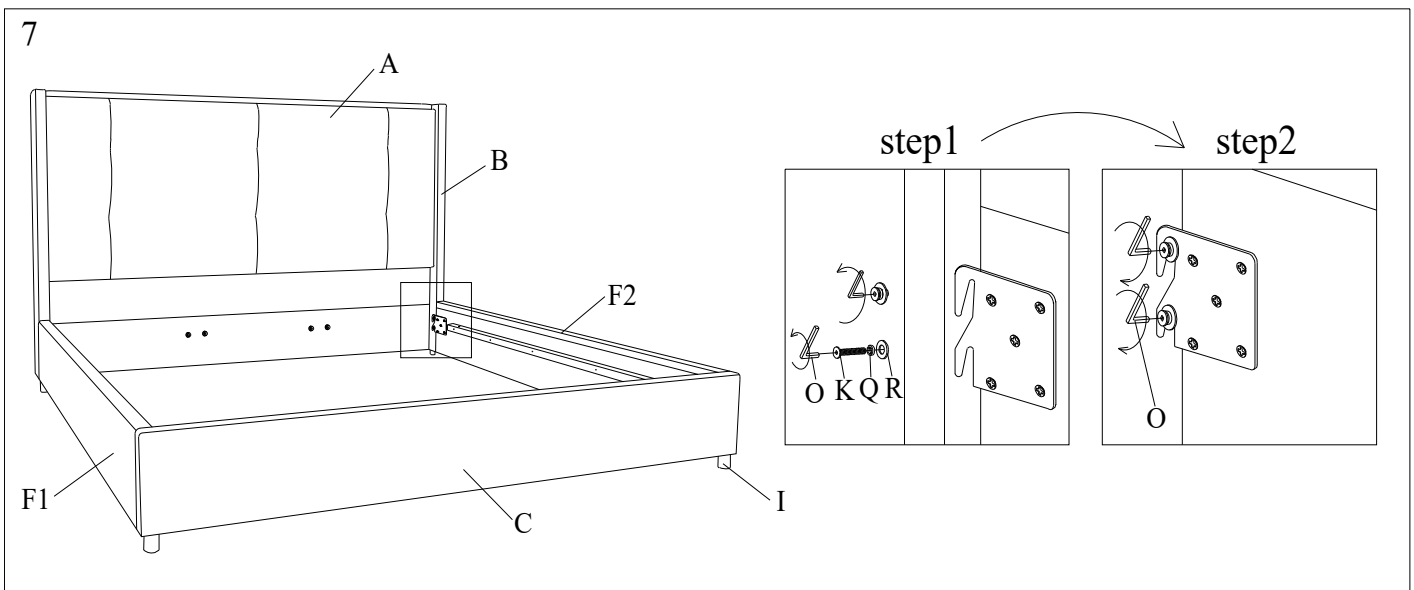
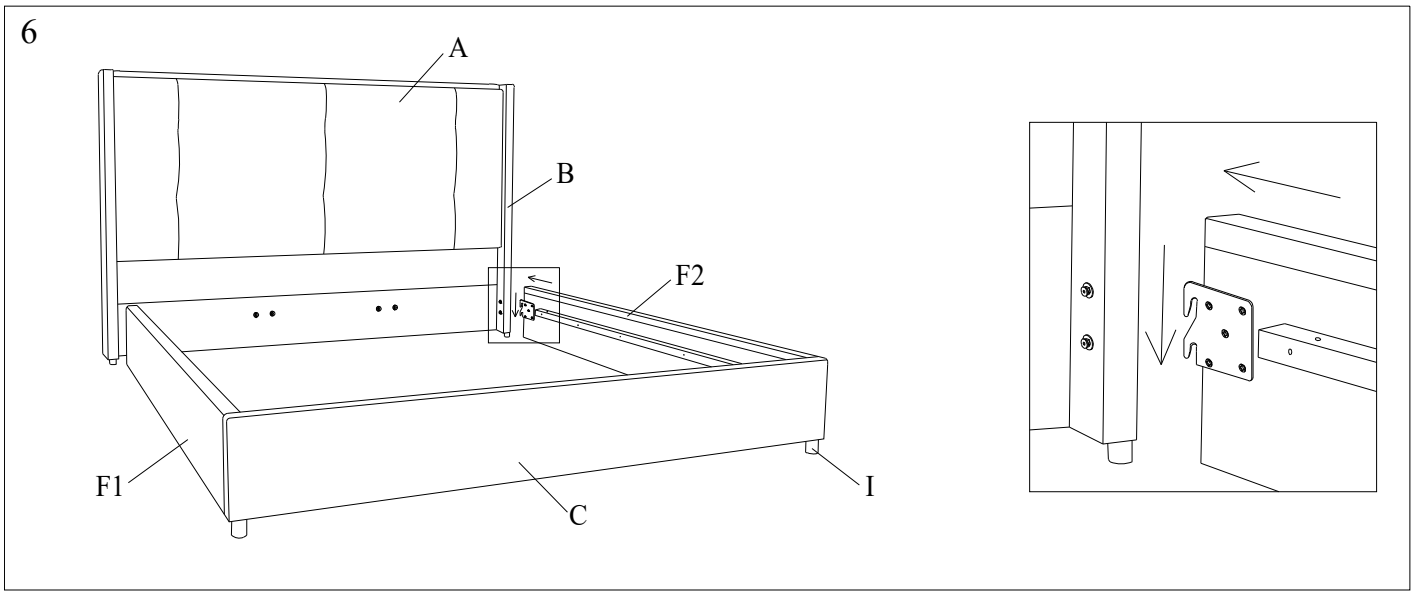
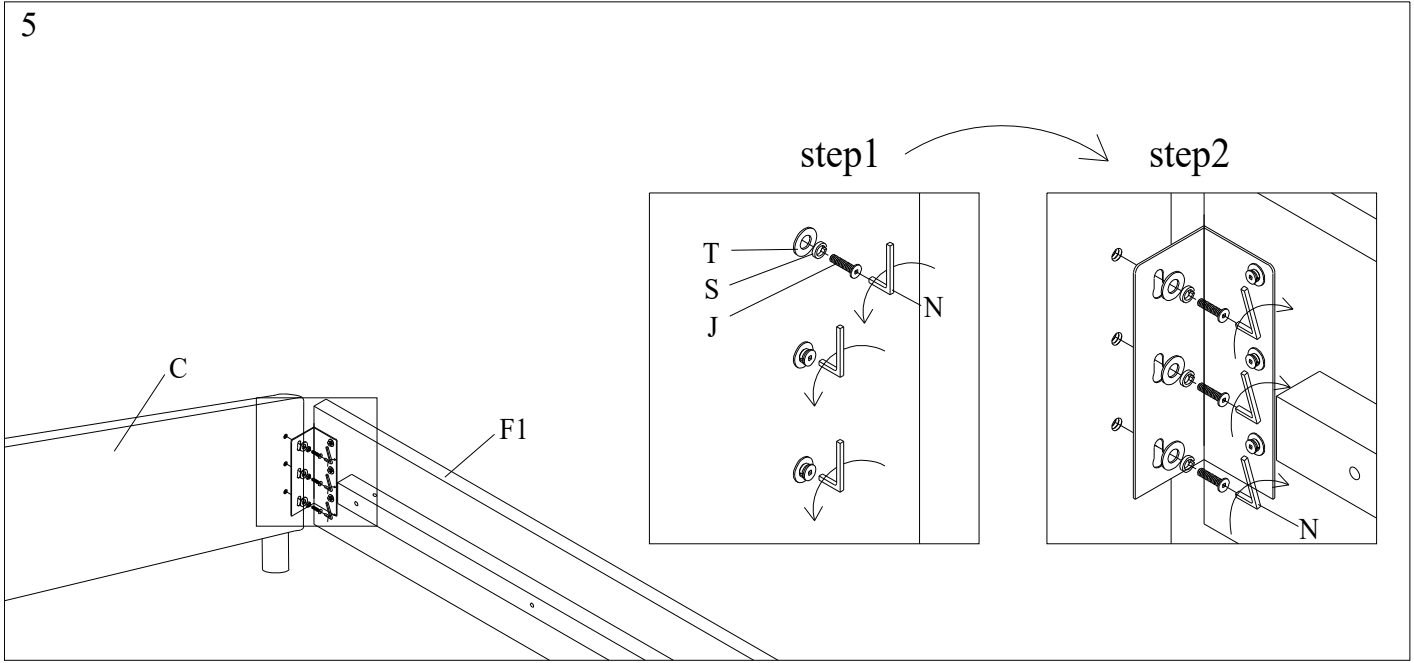


3

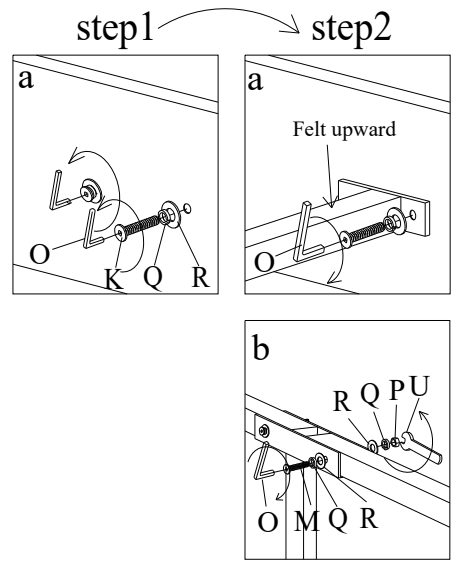
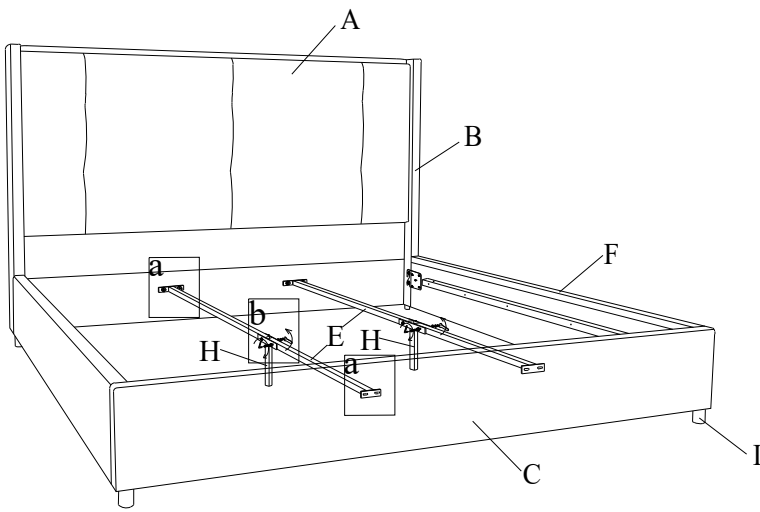


4

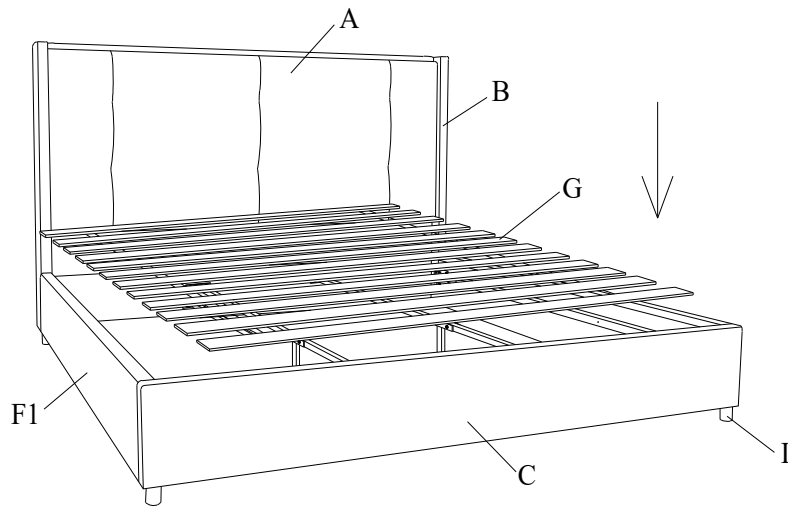




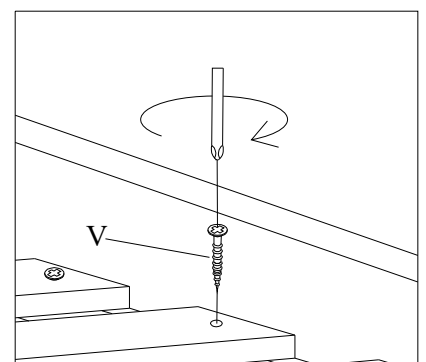
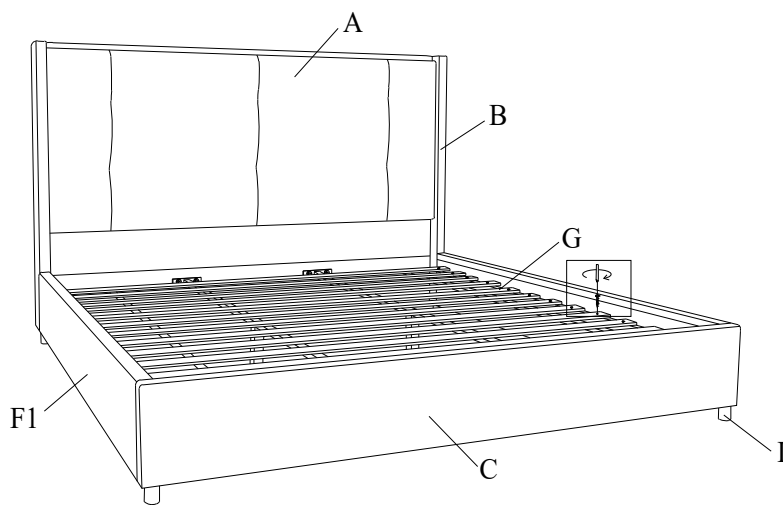
8



9



10



Screwdriver required, not included