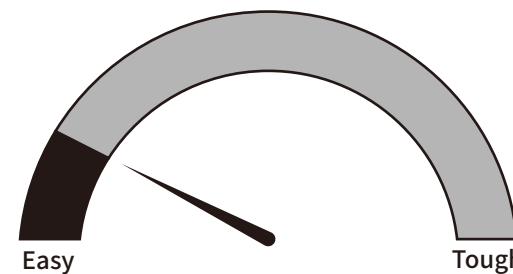


THIS INSTRUCTION BOOKLET CONTAINS **IMPORTANT** SAFETY INFORMATION. PLEASE READ AND KEEP FOR FUTURE REFERENCE.



## **WARNING**

- Unit can tip over causing severe injury or death.
- Anchor unit to stud in wall (if instructed to).
- Do Not allow children to climb on unit.
- Put heavy items on lower shelves or drawers.

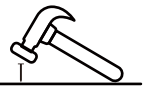
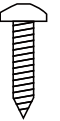


Assembly Difficulty Meter

# Helpful Hints

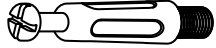

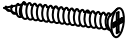




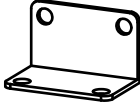
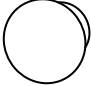
PEOPLE NEEDED FOR ASSEMBLY: 1 - 2  
ESTIMATED ASSEMBLY TIME: 1 HOUR

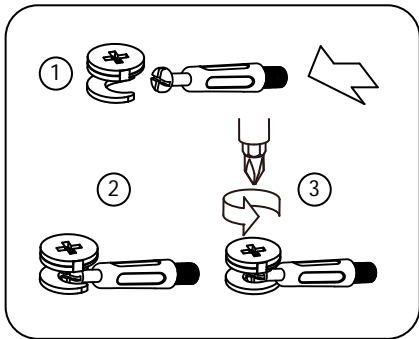
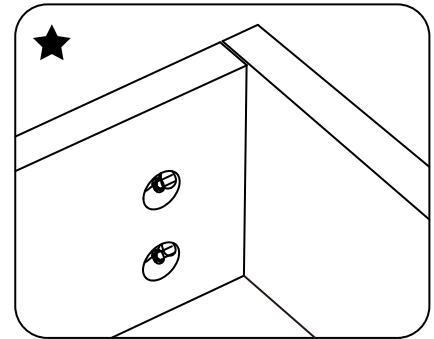
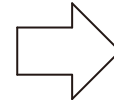
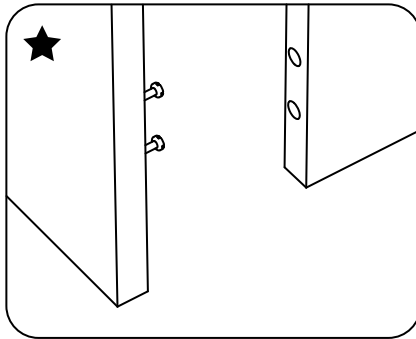
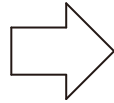
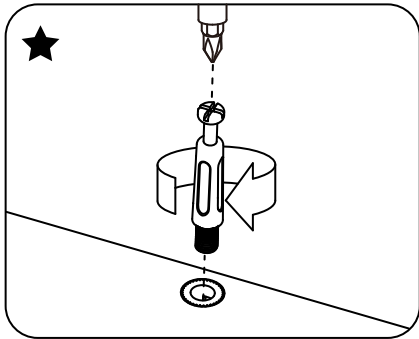
- Open your item in the area you plan to keep it to avoid excessive heavy lifting.
- Identify, sort and count the parts before attempting assembly.
- Compression dowels are lightly tapped in with a hammer.
- Slides are labeled with a R (right) and L (left) for proper placement.
- Make sure to always face the point on the top of the Cam Lock towards the outer edge.
- Use all the nails provided for the back panel and spread them out equally.
- Back panel must be used to make sure your unit is sturdy.
- Do NOT use harsh chemicals or abrasive cleaners on this item.
- Never push, pull, or drag your furniture.



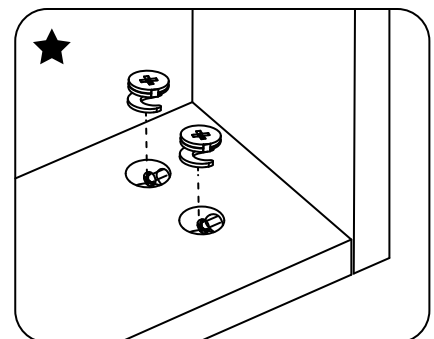
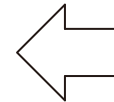
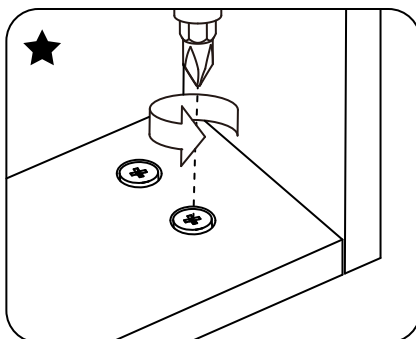
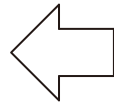
# Before You Start

- ✓ — Read through each step carefully and follow the proper order
- ✓ — Separate and count all your parts and hardware
- ✓ — Give yourself enough room for the assembly process
- ✓ — Have the following tools: Hammer
- ✓ — Caution: If using a power drill or power screwdriver for screwing, please be aware to slow down and stop when screw is tight. Failure to do so may result in stripping the screw.

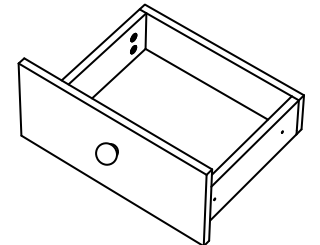
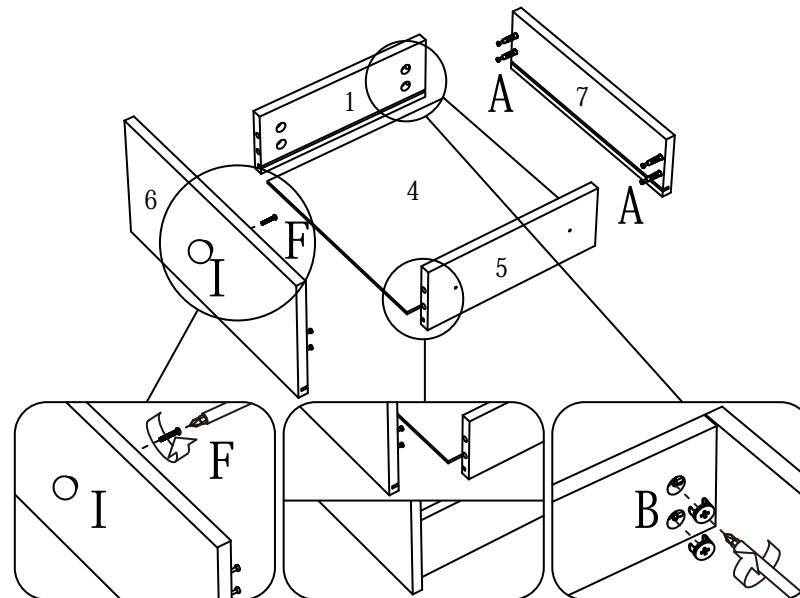
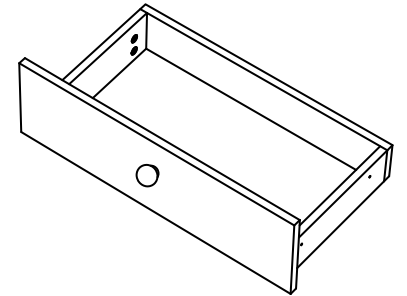
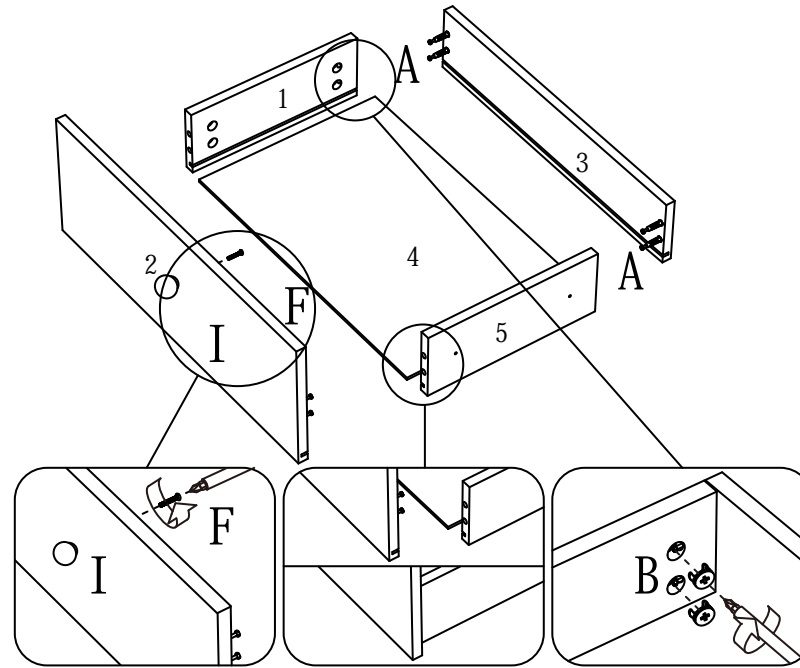
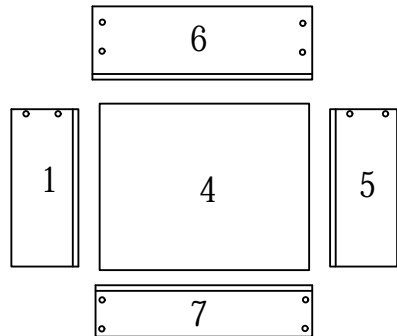
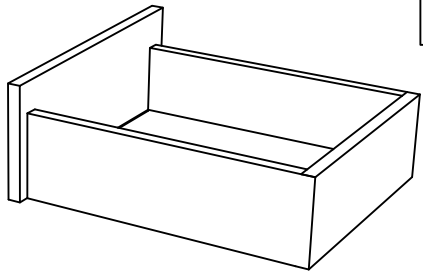
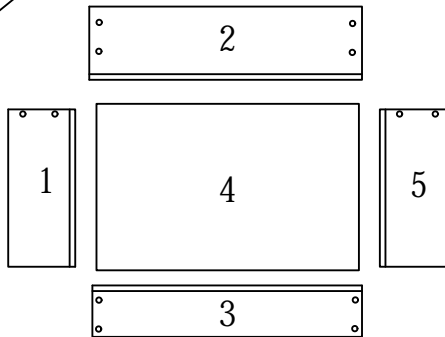
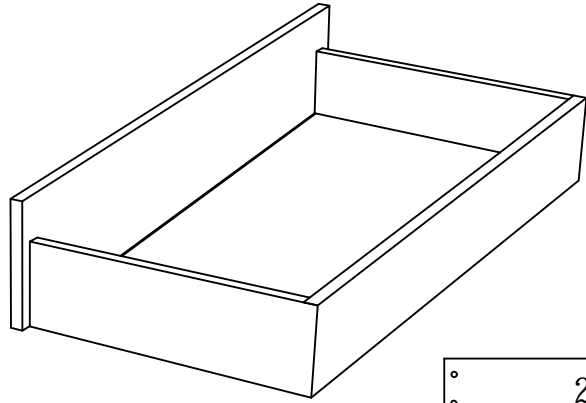
<p><b>A</b></p>  <p>65PCS</p>	<p><b>B</b></p>  <p>65PCS</p>	<p><b>C</b></p>  <p>8 PCS</p>	<p><b>D</b></p>  <p>8 PCS</p>	<p><b>E</b></p>  <p>8 PCS</p>
<p><b>F</b></p>  <p>5PCS</p>	<p><b>G</b></p>  <p>8 PCS</p>	<p><b>H</b></p>  <p>2PCS</p>	<p><b>I</b></p>  <p>5PCS</p>	



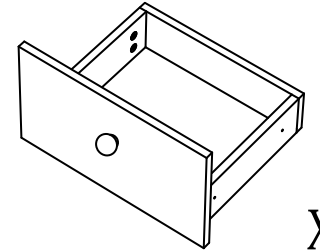
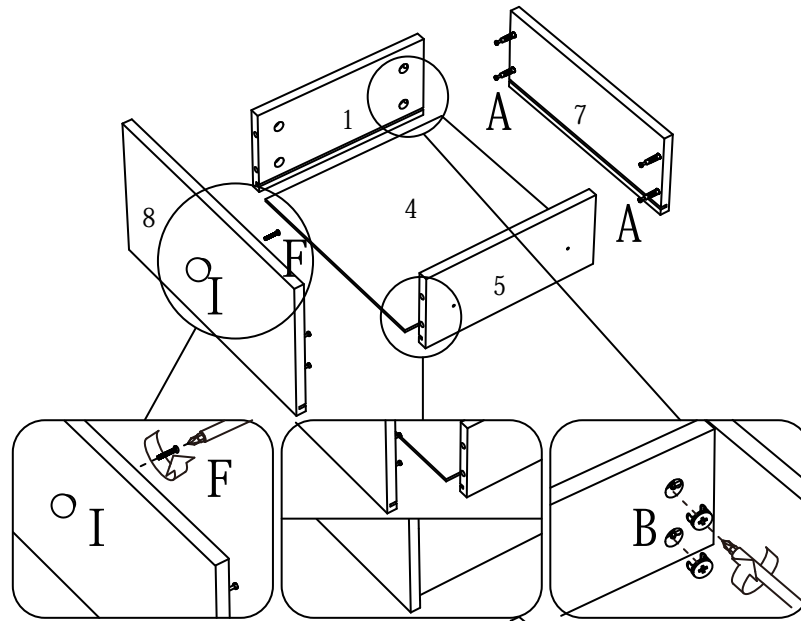
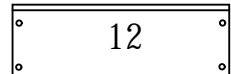
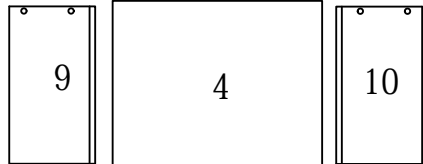
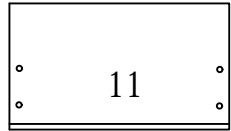
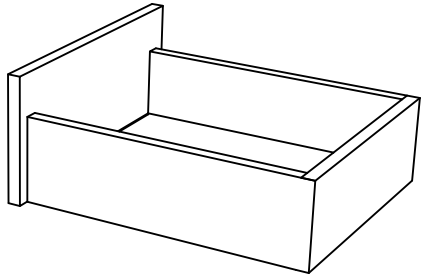
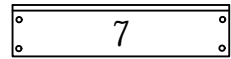
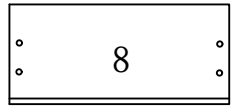
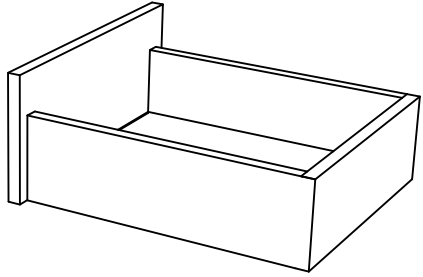
Parts assembly diagram



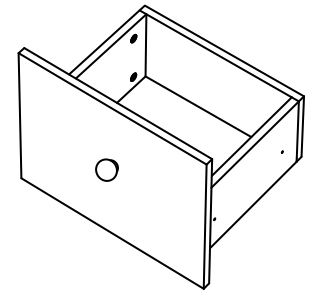
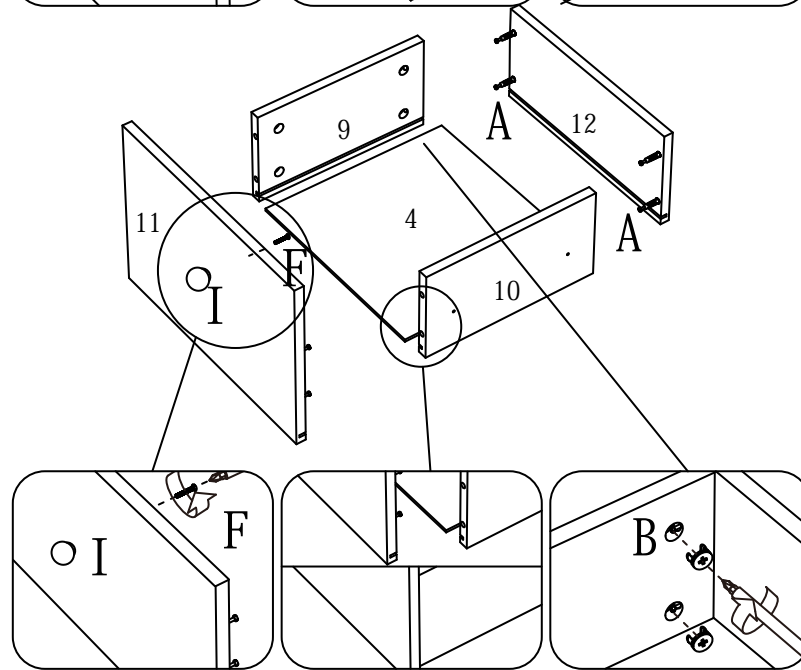
First install the drawer .



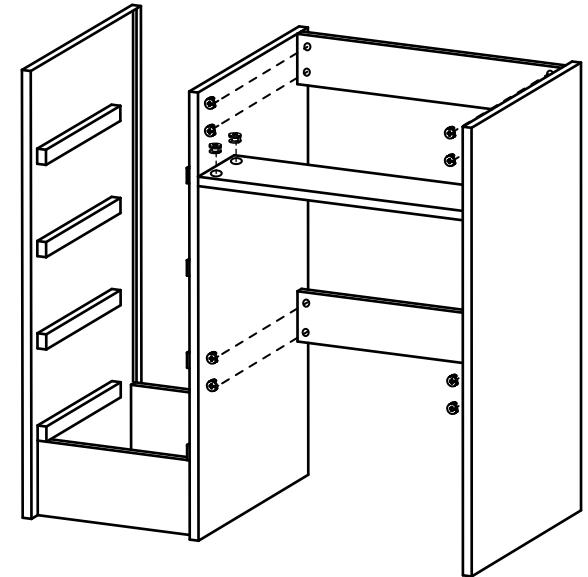
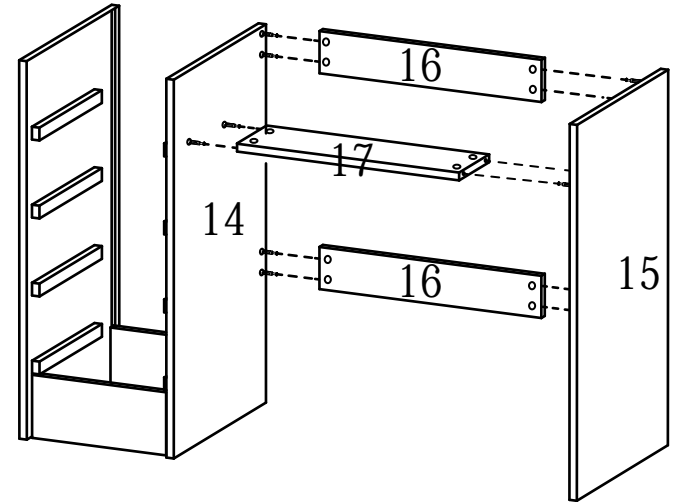
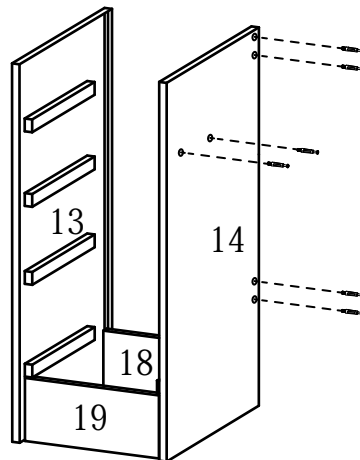
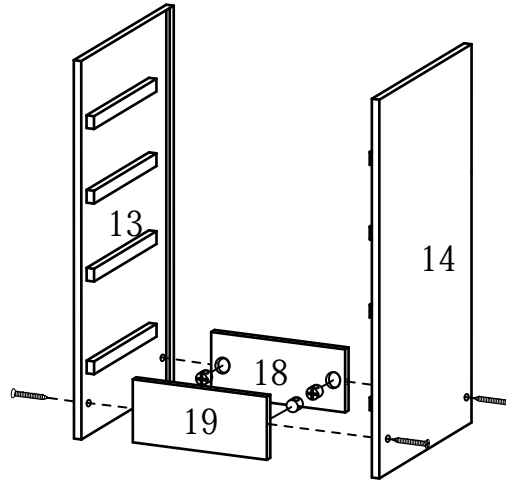
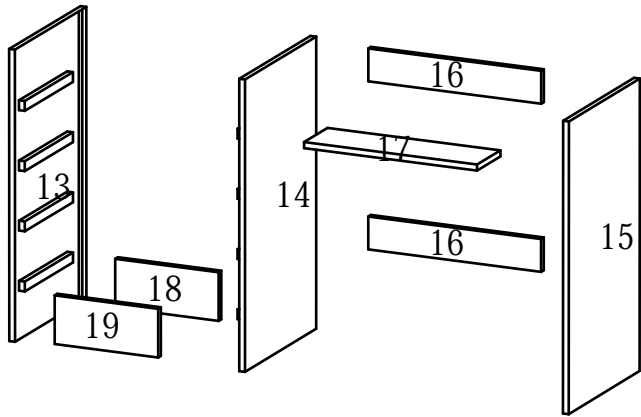
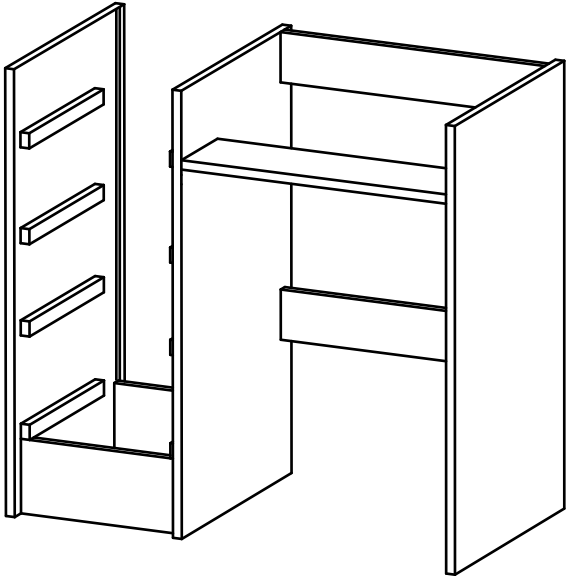
First install the drawer .



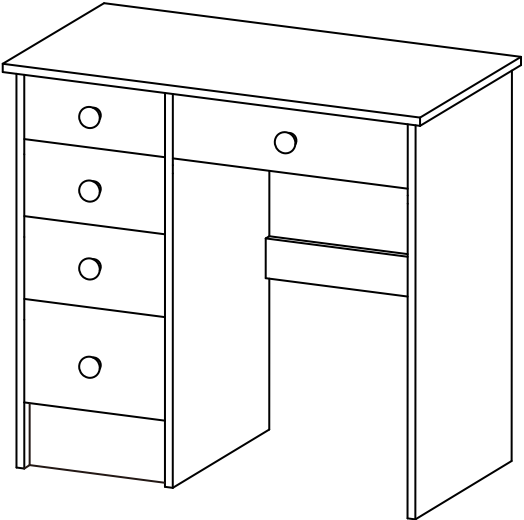
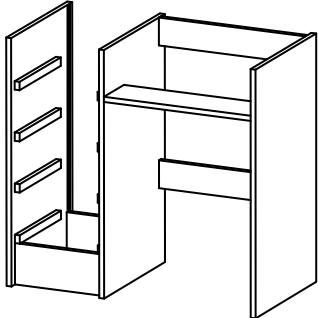
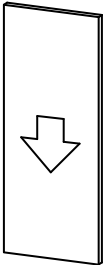
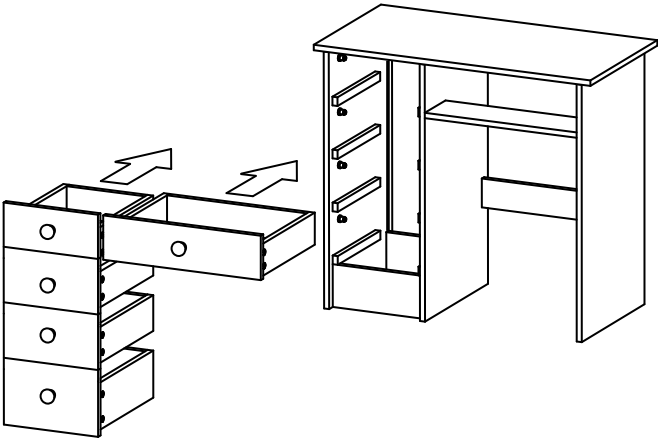
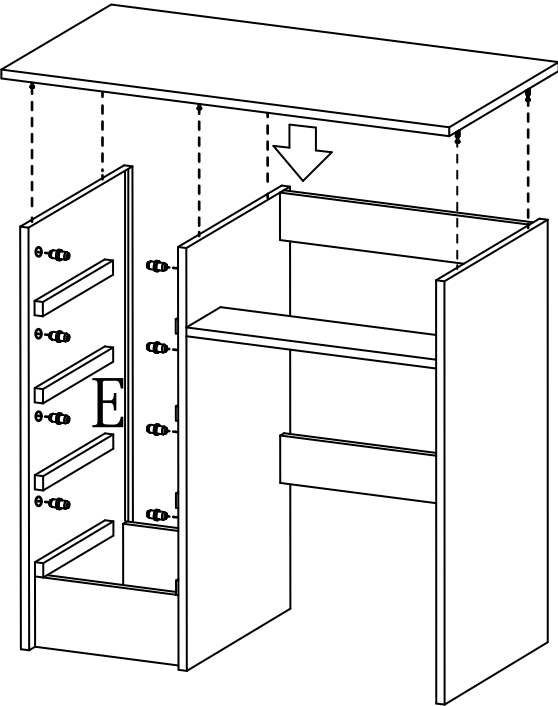
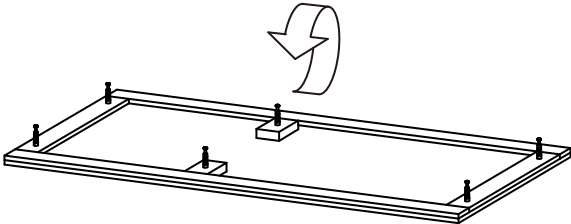
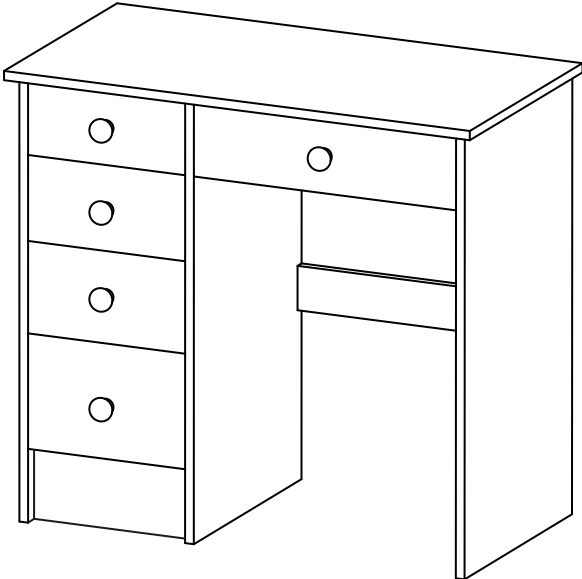
X2



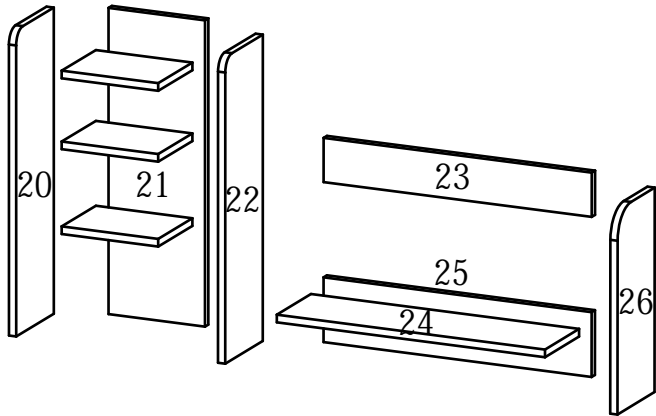
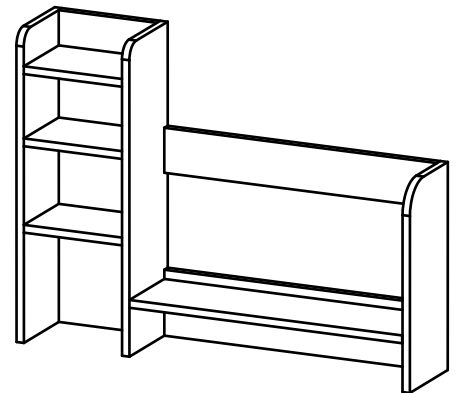
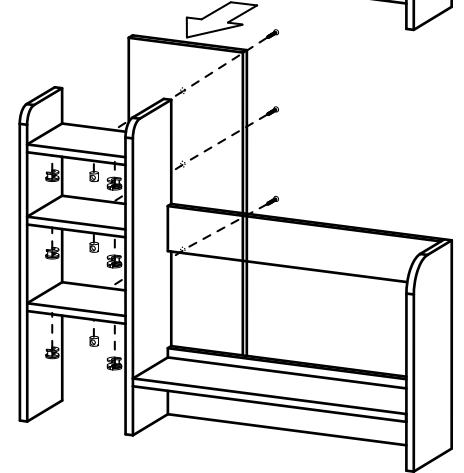
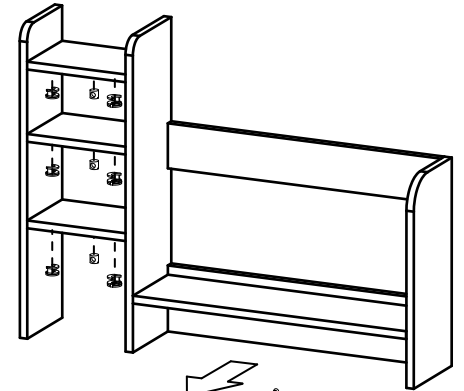
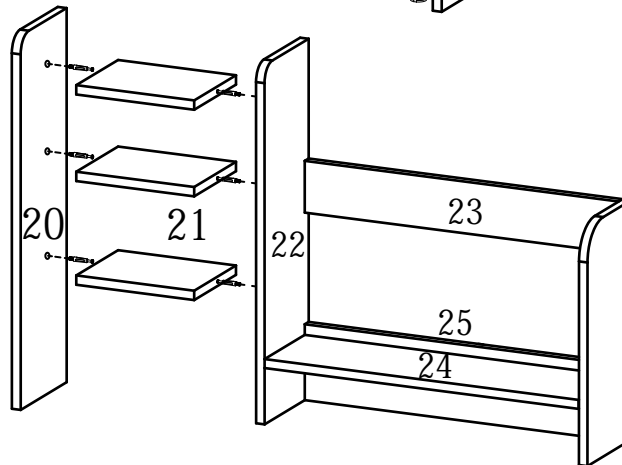
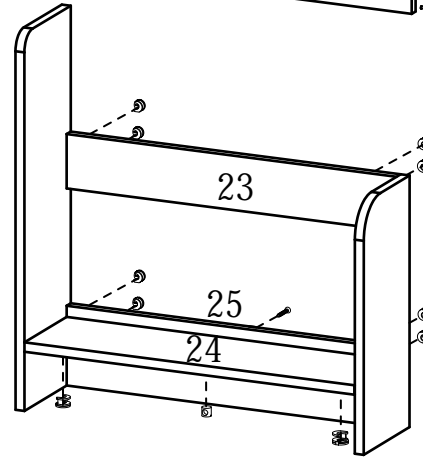
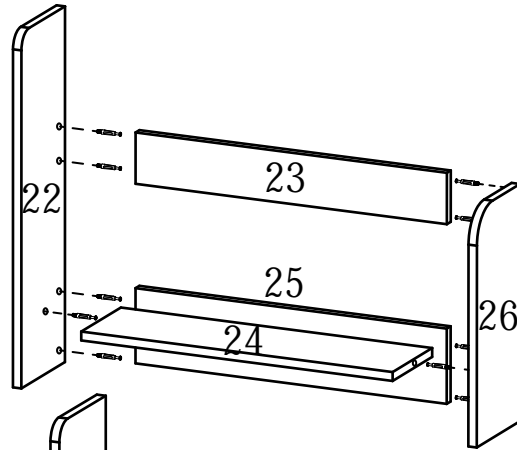
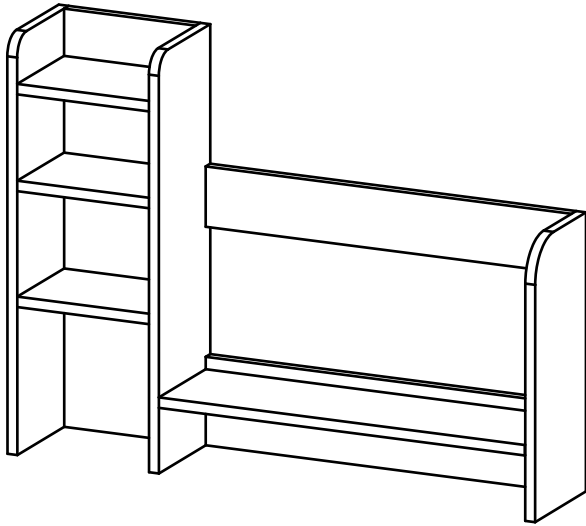
Second install the cabinet.

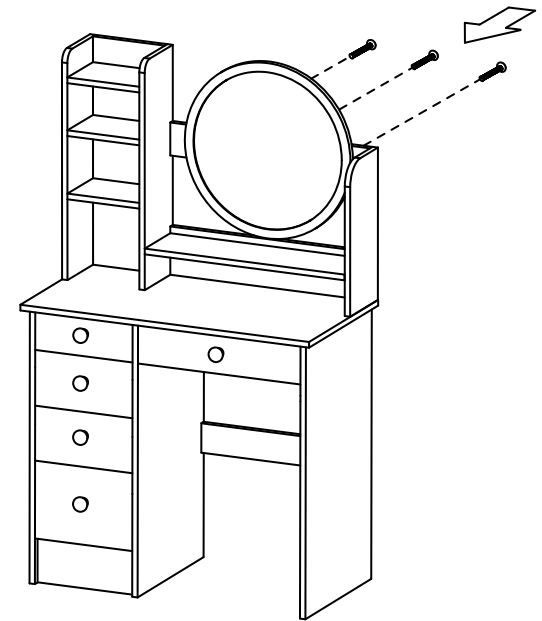
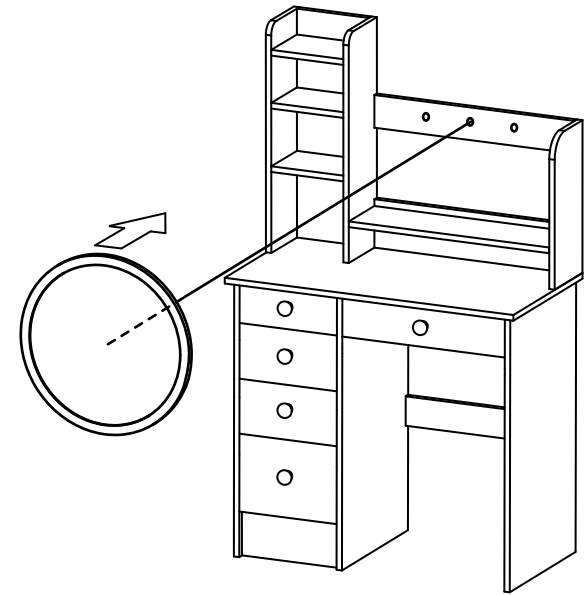
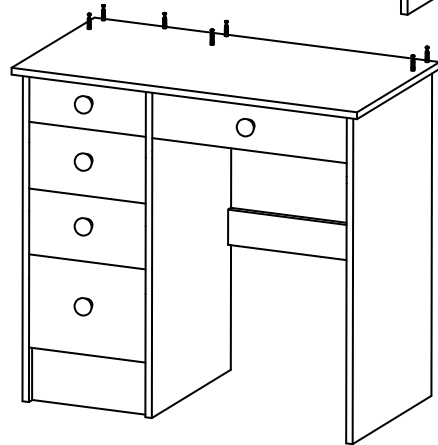
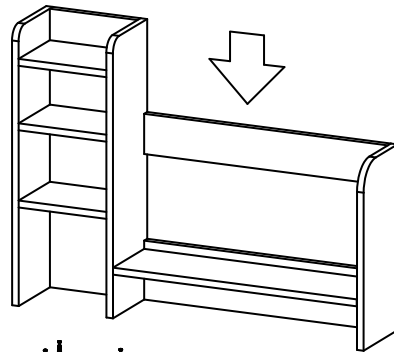
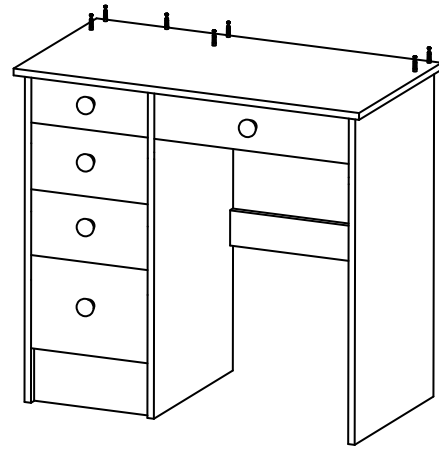
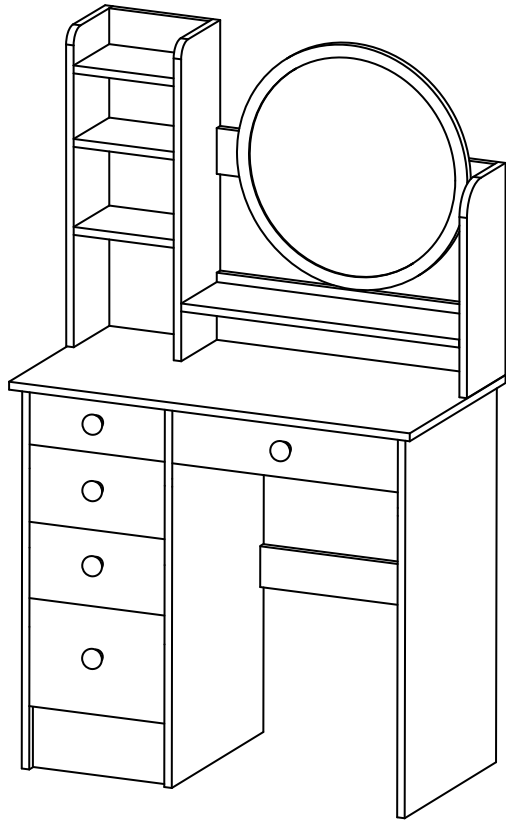


installation drawing 3

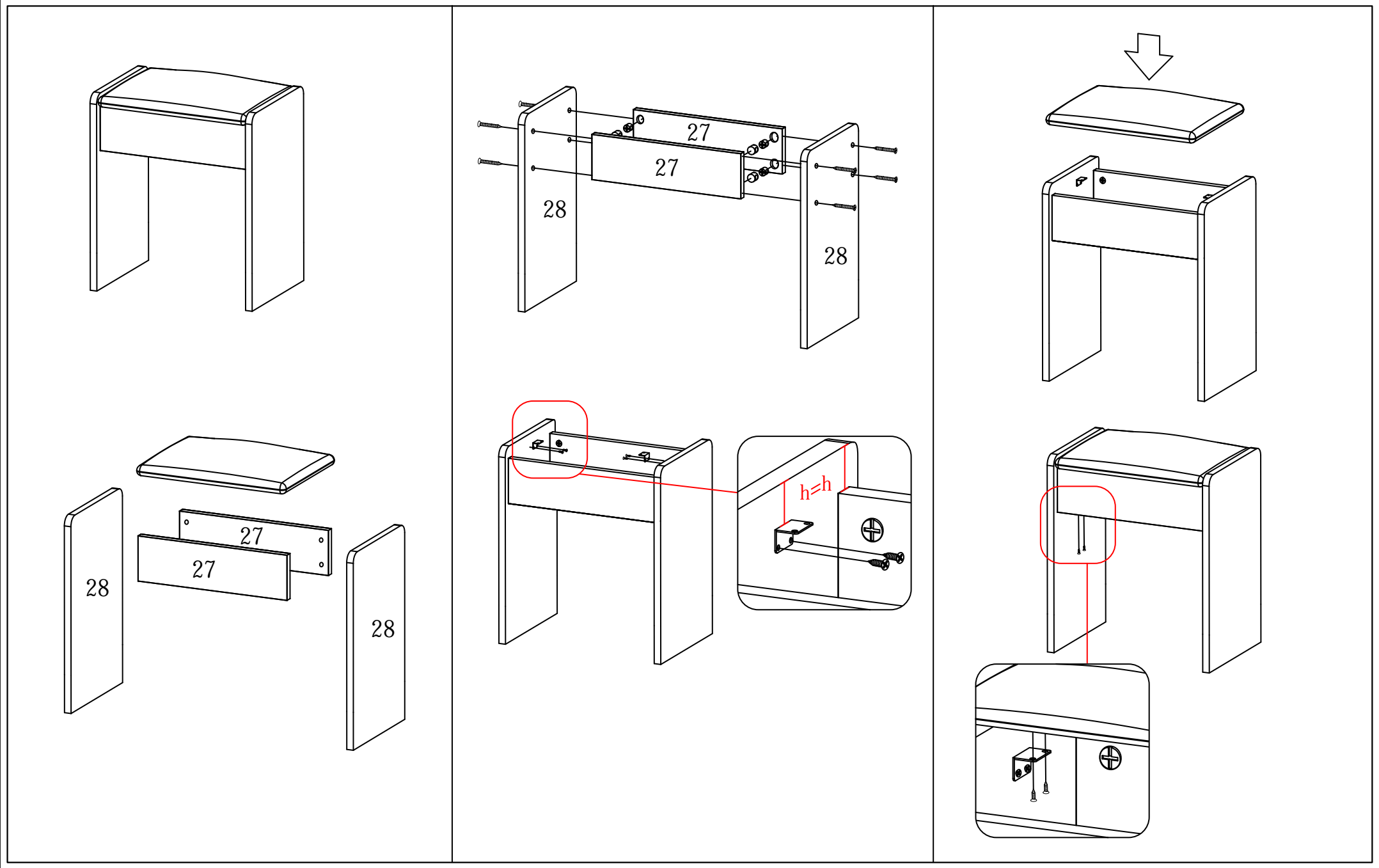


installation drawing 4





installation drawing 6





If you have any questions about the product,  
please do not hesitate to contact customer service.

# 5 Star Rating



Visit your local retailer's website, rate your purchased  
product and leave us some feedback!

We would like to extend a big "Thank You" to all of  
our customers for taking the time to assemble this  
product, and to give us your  
valuable feedback.