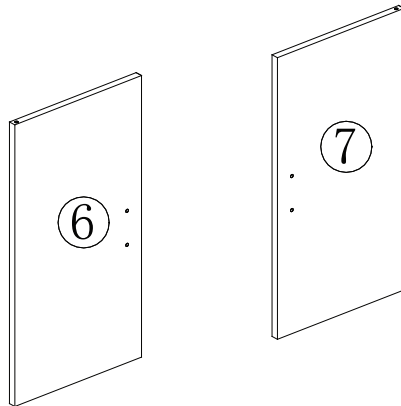
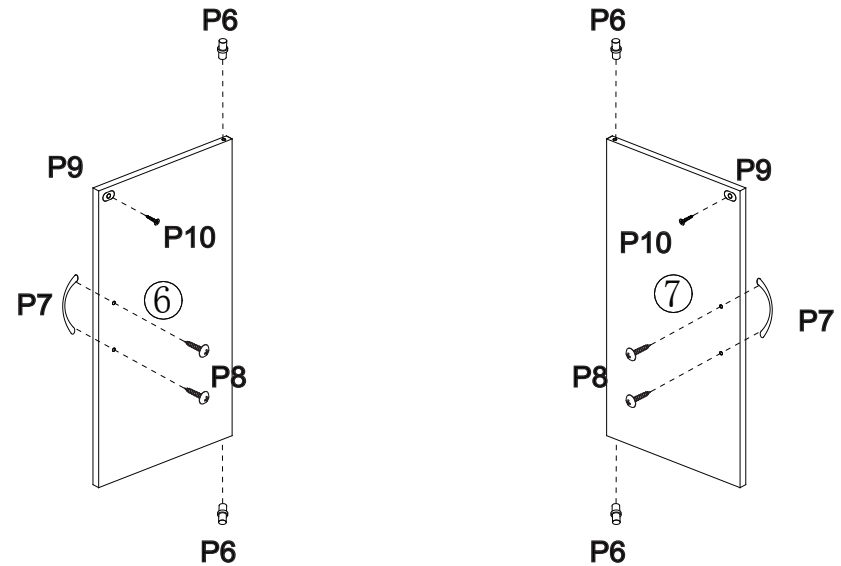


ASSEMBLING INSTRUCTIONS

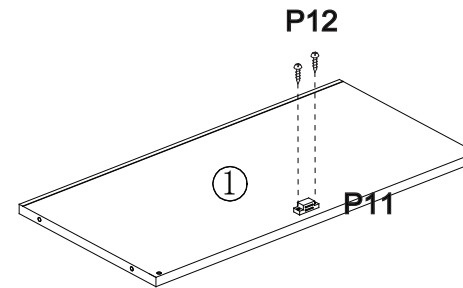
These instructions are for customers that have purchased doors to go with this unit, these doors will come in a separate box.







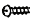


1



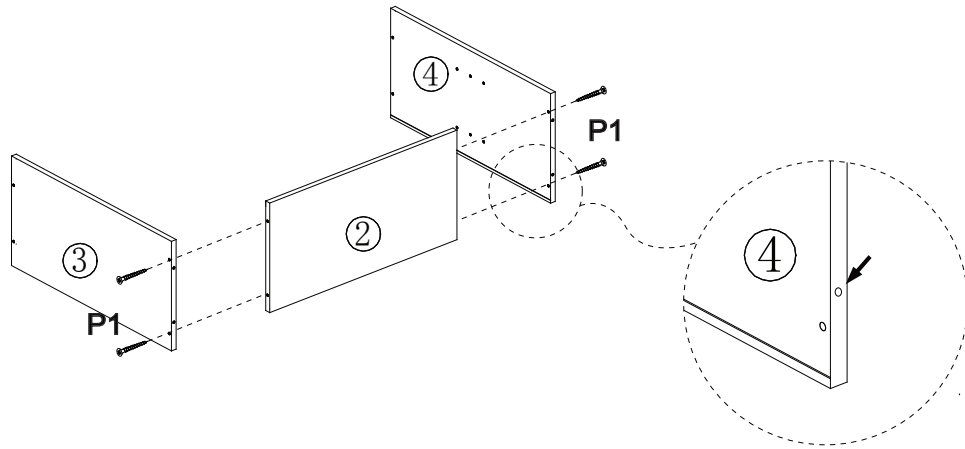
2



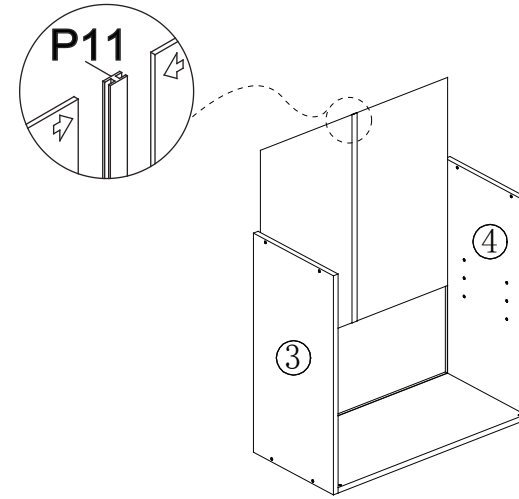
P6			4 PCS
P7			2 PCS
P8		M5X20mm	4 PCS
P9			2 PCS
P10		M3X10mm	2 PCS
P11			1 PC
P12		M3X14mm	2 PCS

STAKKD 2 Tier Unit A: TOP UNIT+DOOR

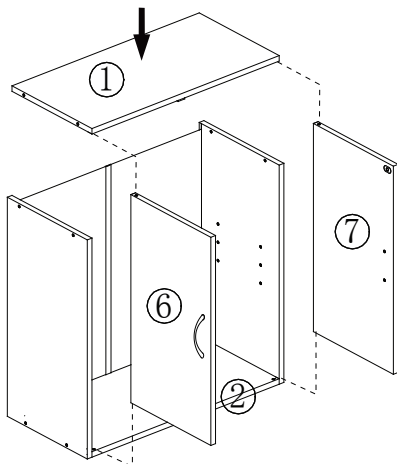
3



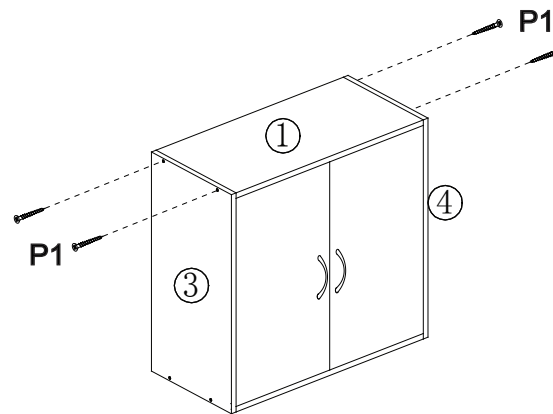
4



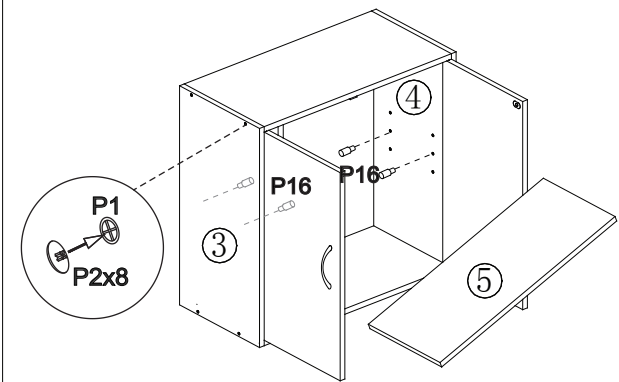
5



6

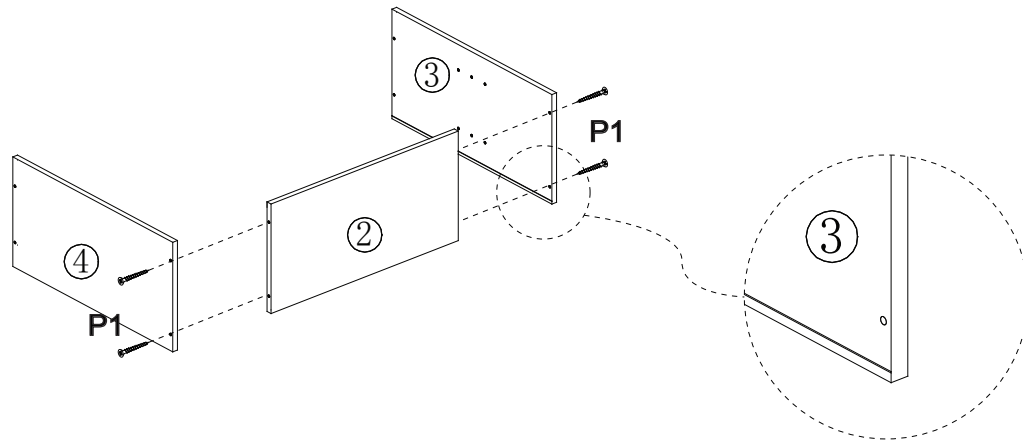


7

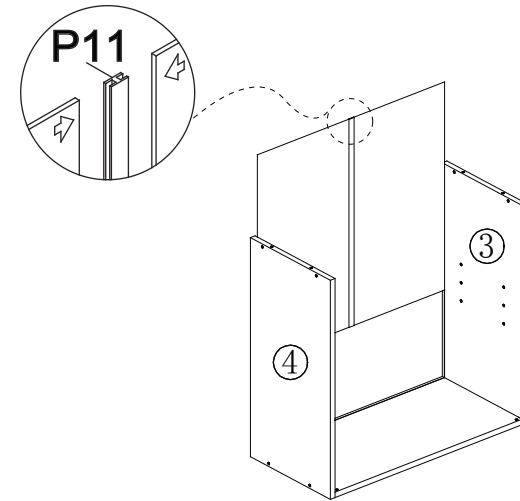


STAKKD 2 Tier Unit B: BOTTOM UNIT+DOOR

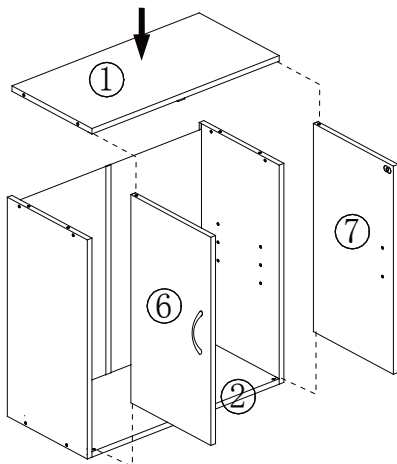
3



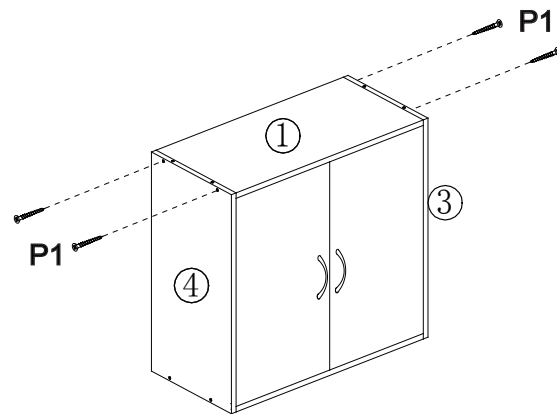
4



5



6



7

