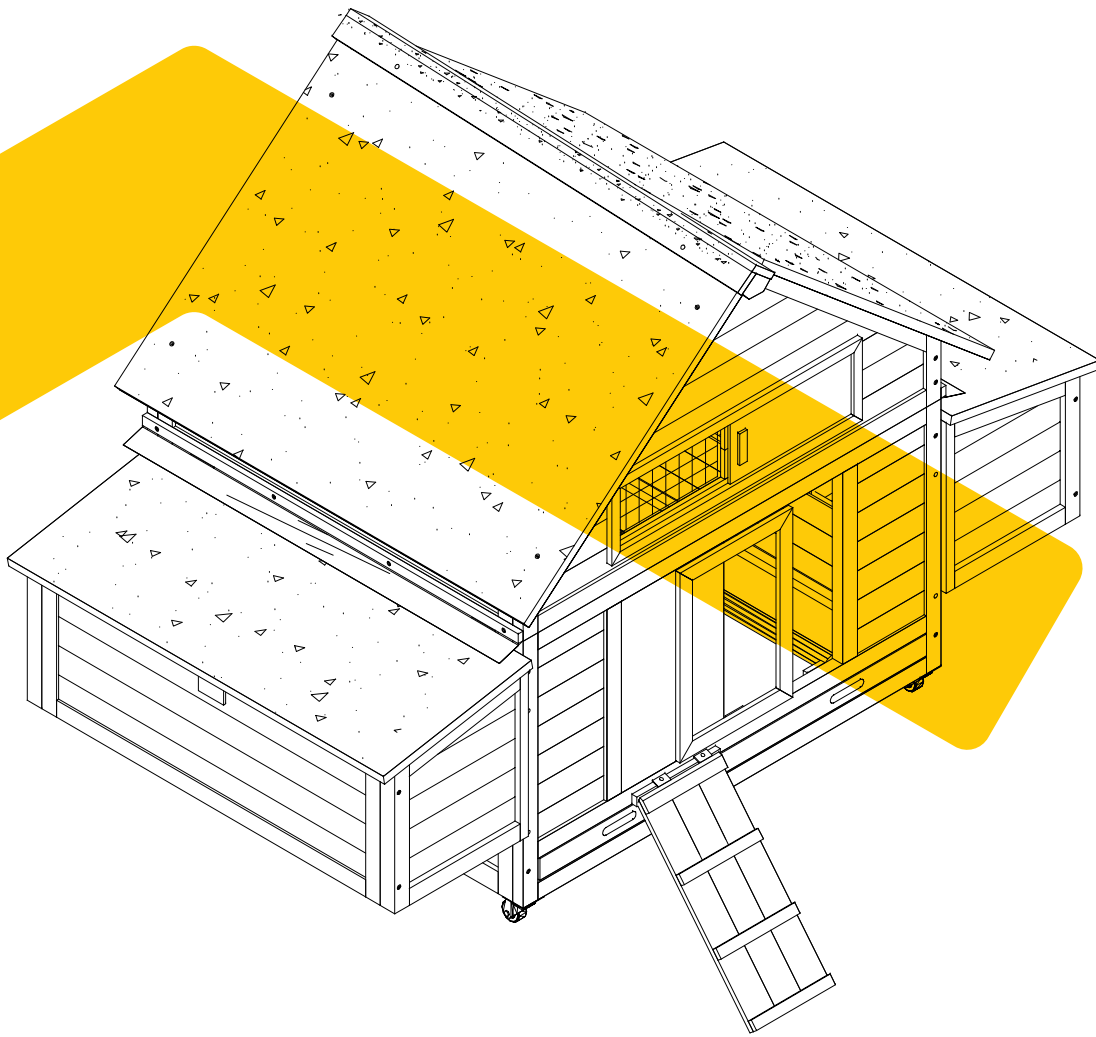


# INSTRUCTION MANUAL





## NOTICE

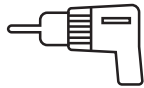
Please retain these instructions for future

- Firmly secure all bolts, screws and knobs before use.
- Reconfirm that all bolts, screws, and knobs are secure every 90 days.
- Fasten screws loosely during initial assembly. Do not fully tighten screws until the item is completely assembled.
- Do not use or store this item in the proximity of open flame or flammable/combustible chemicals.
- Be aware that some parts are heavy and have sharp edges.
- Be aware that moving parts can injure, crush and cut.
- If any parts are missing, broken, damaged, or worn, stop using this product until repairs are made and/or factory replacement parts are installed.
- Do not use this item in a way inconsistent with the manufacturer's instructions as this could void the product warranty.

# TOOLS REQUIRED



PHILLIPS  
SCREWDRIVER



DRILL  
(RECOMMENDED)



2PERSON  
ASSEMBLY



APPROXIMATELY  
60MIN. ASSEMBLY

# HARDWARE

M6.0x55 mm BOLT  
8PCS+1 spare



P1

M3.5x55 mm SCREW  
28PCS+1 spare



P2

M3.5x40 mm SCREW  
8PCS+1 spare



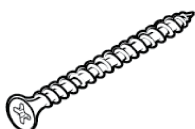
P3

M3.5x35 mm SCREW  
20PCS+1 spare



P4

M3.5x25 mm SCREW  
24PCS+1 spare



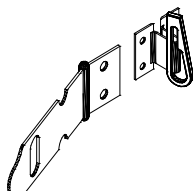
P5

M3.0x16 mm SCREW  
18PCS+1 spare



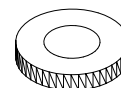
P6

Lock  
1PC



P7

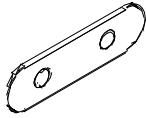
Spacer  
16PCS



P8

# HARDWARE

Connect pieces  
4PCS



P9

M3.5x20 mm SCREW  
4PCS+1 spare



P10

M3.5x45 mm SCREW  
8PCS+1 spare

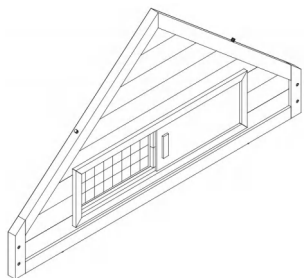


P11

# PARTS

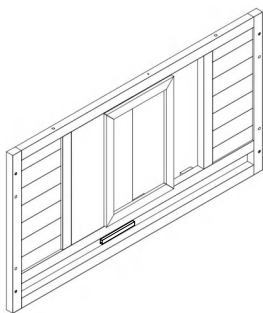
## CARTON 1/2

Upper panel-front and back  
2PCS



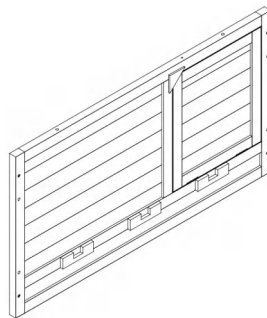
**A**

Down panel- Front side  
1PC



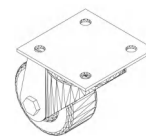
**B**

Down panel- Back side  
1PC



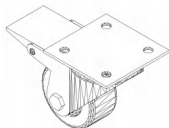
**C**

Casters without brake  
2PCS



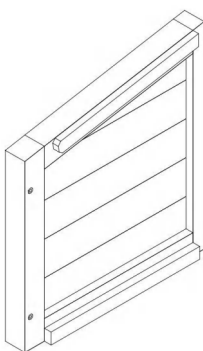
**E**

Casters with brake  
2PCS



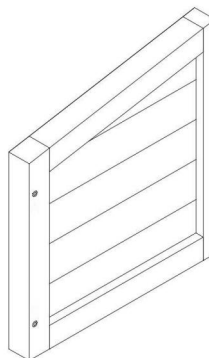
**F**

Left panel of nesting box  
2PCS



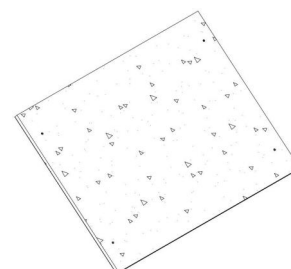
**I**

Right panel of nesting box  
2PCS



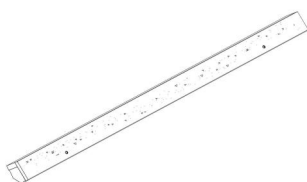
**J**

Roof  
2PCS



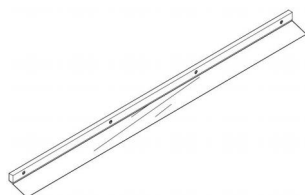
**O**

Roof cap  
1PC



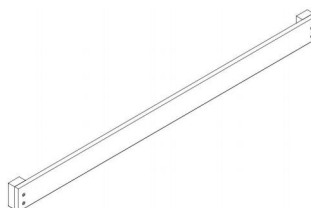
**P**

PVC Waterproof Strip  
2PCS



**Q**

Bottom plate  
2PCS



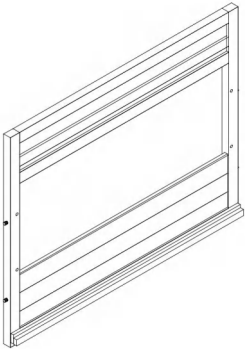
**S**

(Only need for connecting  
with the coop AIR60)

# PARTS

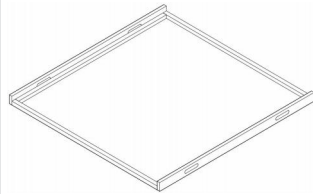
## CARTON 2/2

Side Panel  
2PCS



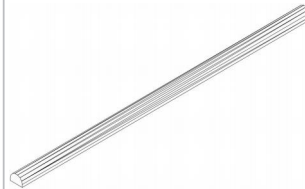
D

Tray  
1PC



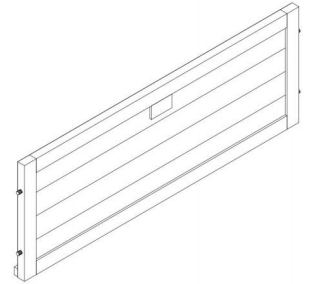
G

Perch  
3PCS



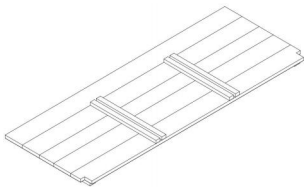
H

Front panel of nesting box  
2PCS



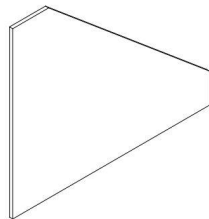
K

Bottom panel of nesting box  
2PCS



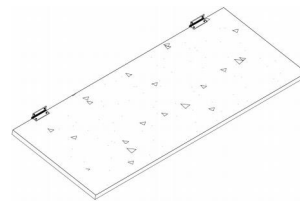
L

Divider  
4PCS



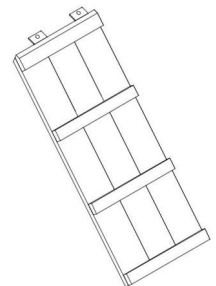
M

Roof of nesting box  
2PCS



N

Ramp  
1PC

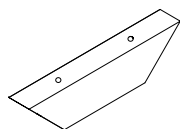


R

Hardware bag

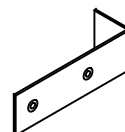


Fixed batten  
4PCS



T

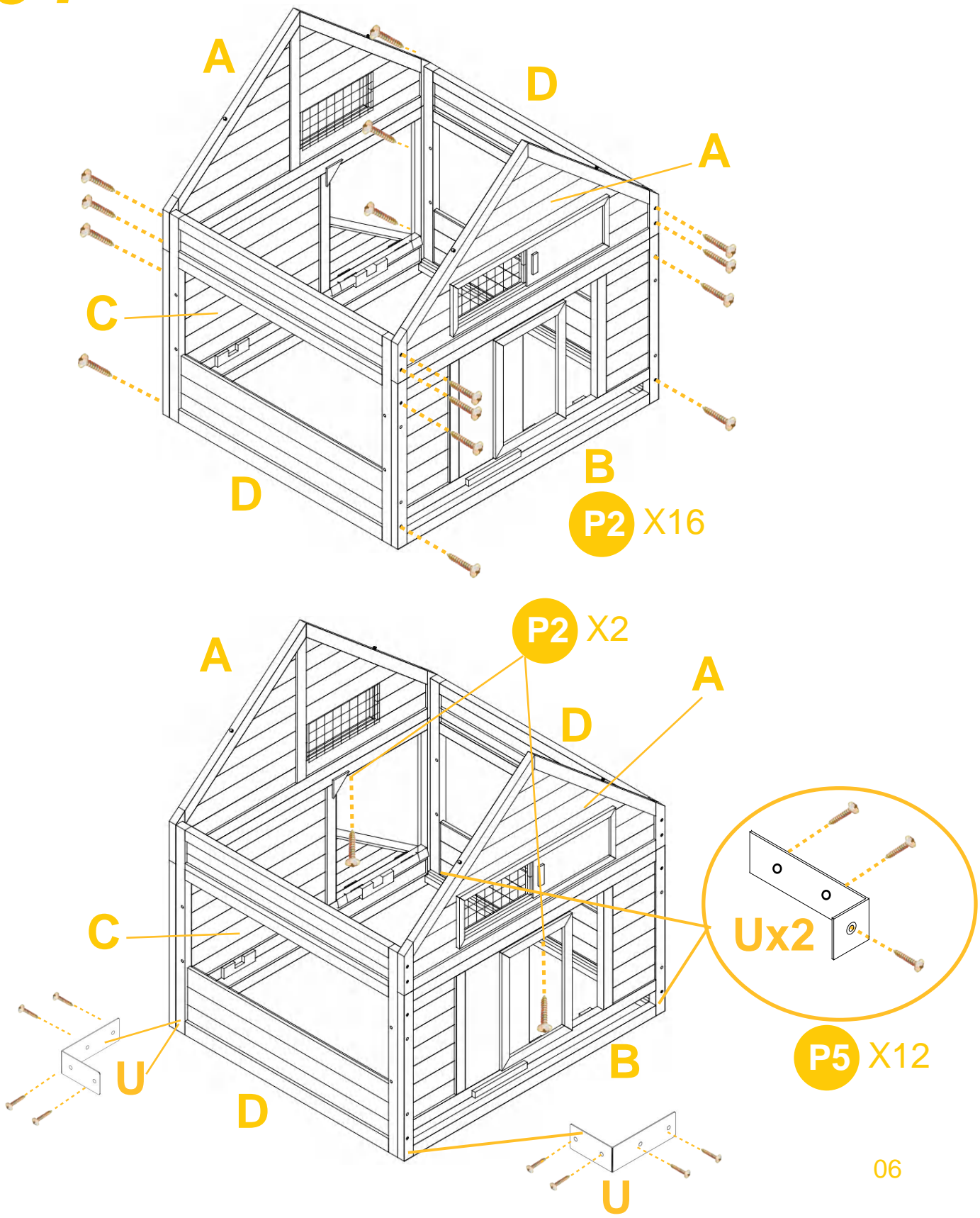
L-shaped fitting  
4PCS



U

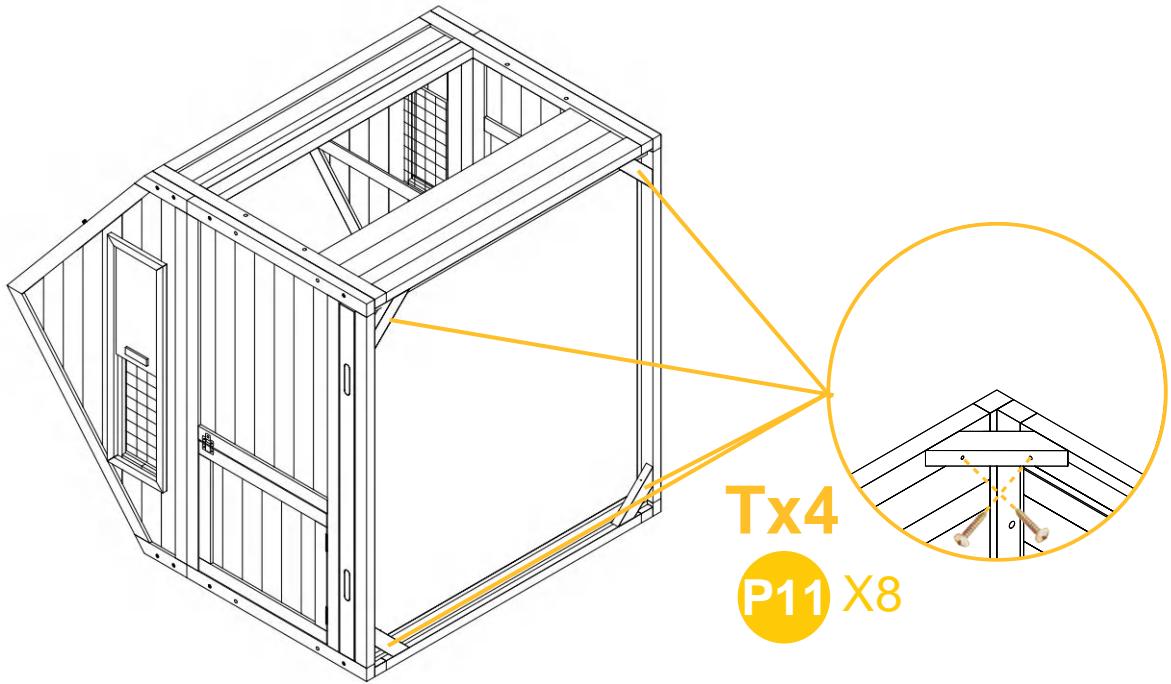
# PRODUCT ASSEMBLY

**01** Attach Part A,B,C to the side panel Part D by P2x16; then connect the Part A to B&C by P2x2.

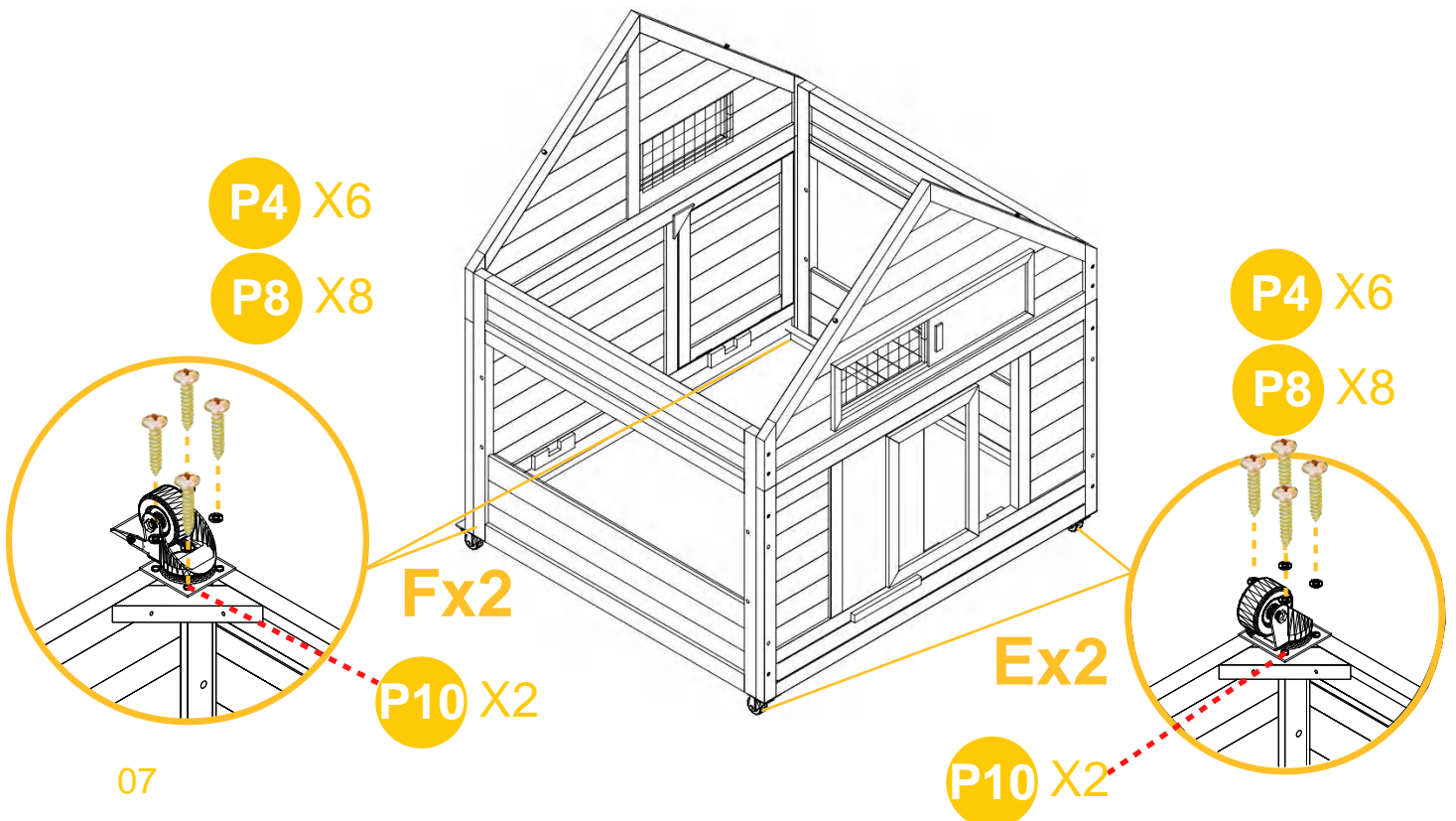


# PRODUCT ASSEMBLY

**02** Attach the part T to the bottom of the coop frame by P11x2 on each side.



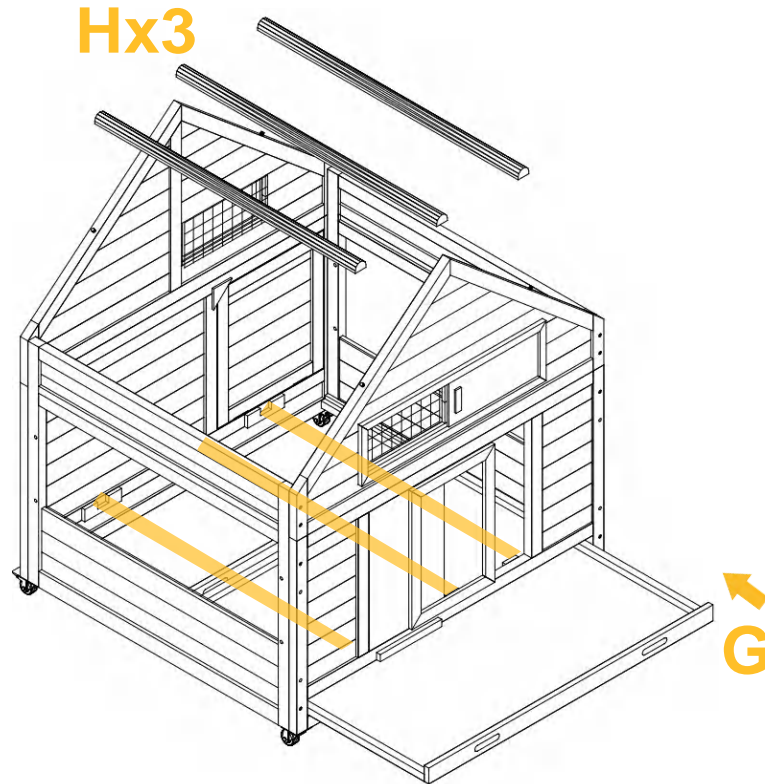
Screw two casters without brake Part E to the front of coop legs by P4x6 using the P8 spacer.  
Screw two casters with brake Part F to the back of coop legs by P5x6 using the P8 spacer.



## PRODUCT ASSEMBLY

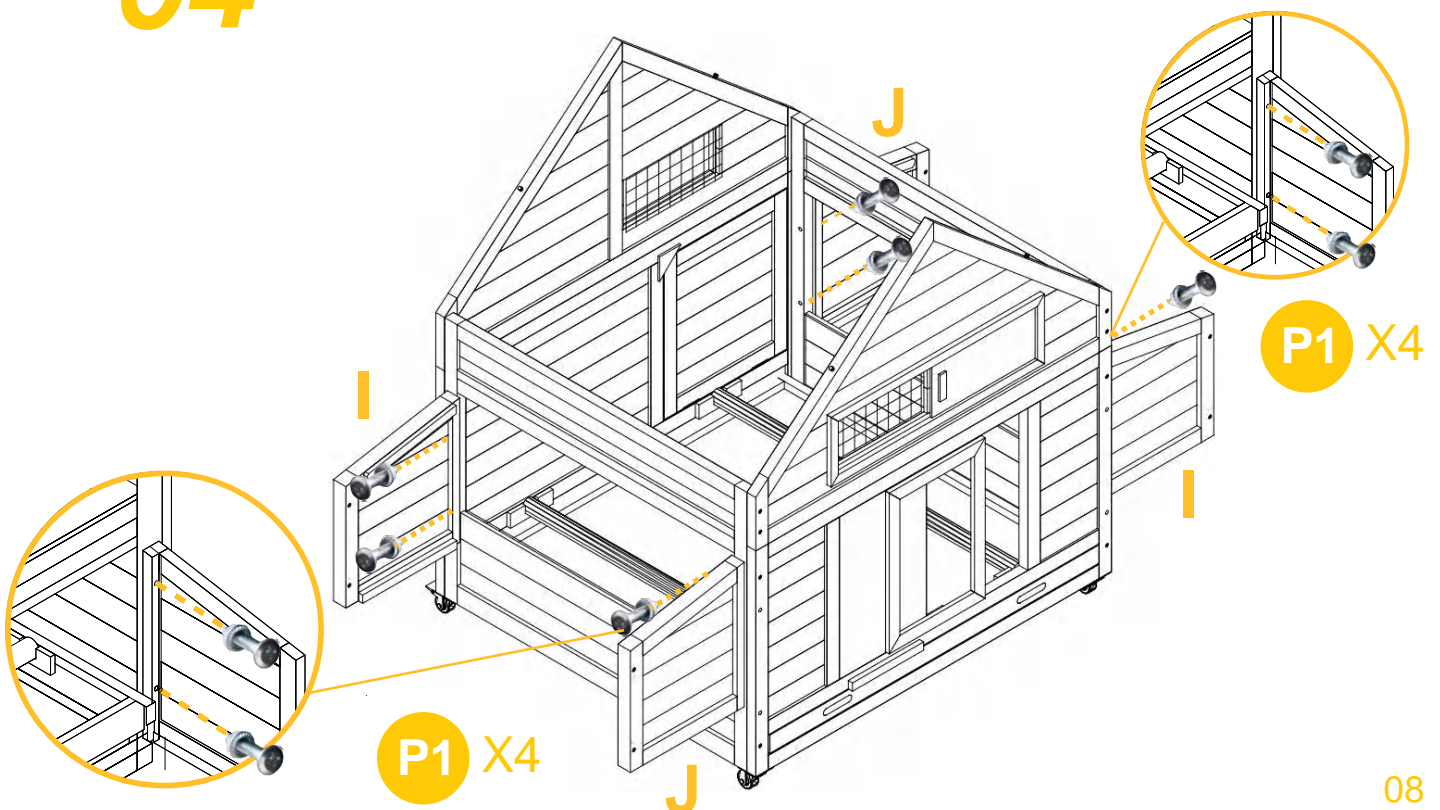
03

Insert the perches 3xPart H into the slots inside the front and back panel of coop. Slide in the tray.



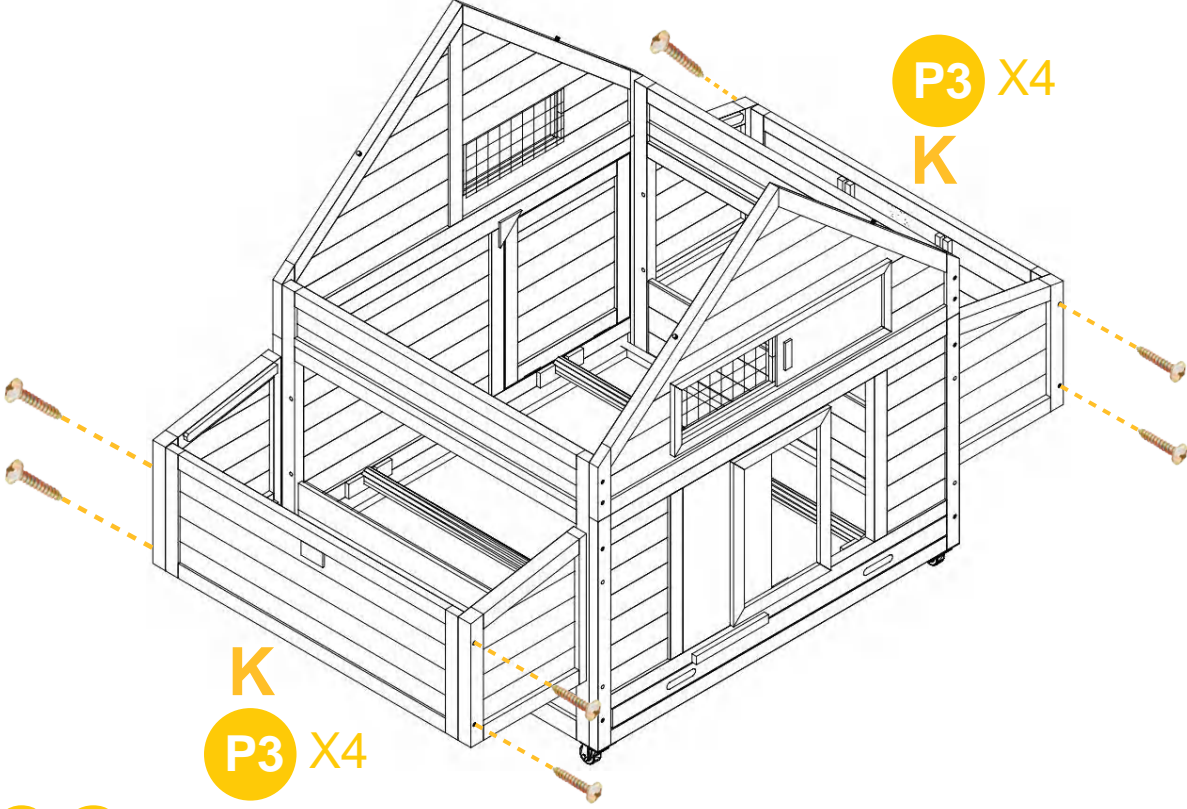
04

Attach the side panels of nesting box Part I & J to the side of coop by bolt P1x4 on each side.

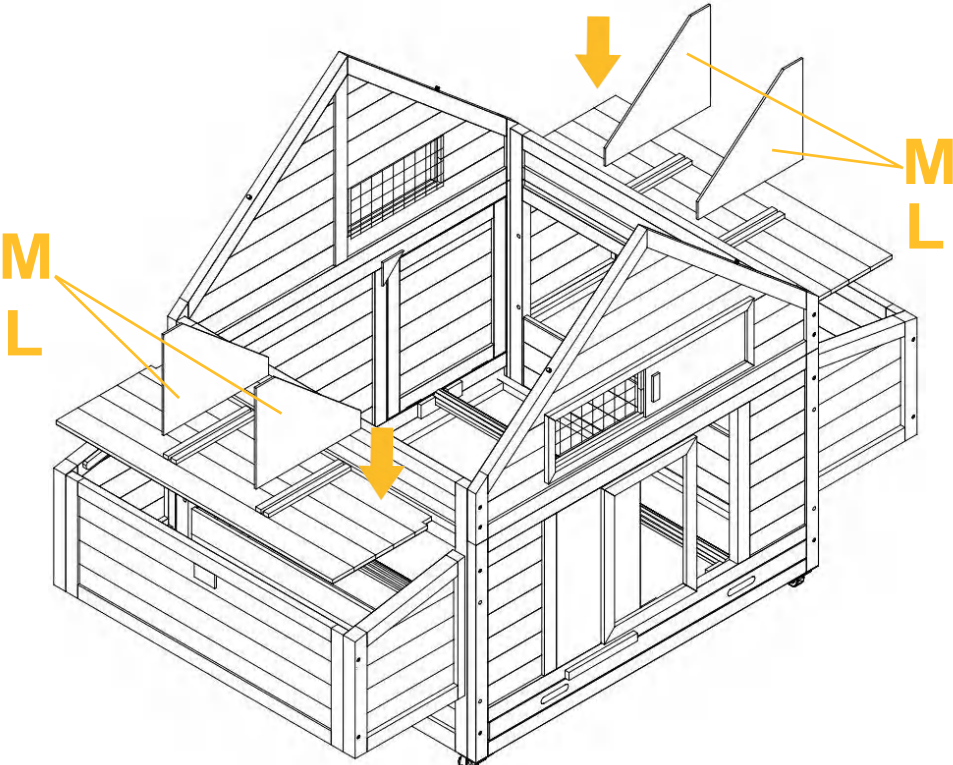


# PRODUCT ASSEMBLY

**05** Attached the front panel of nesting box Part K by P3x4 on each side.

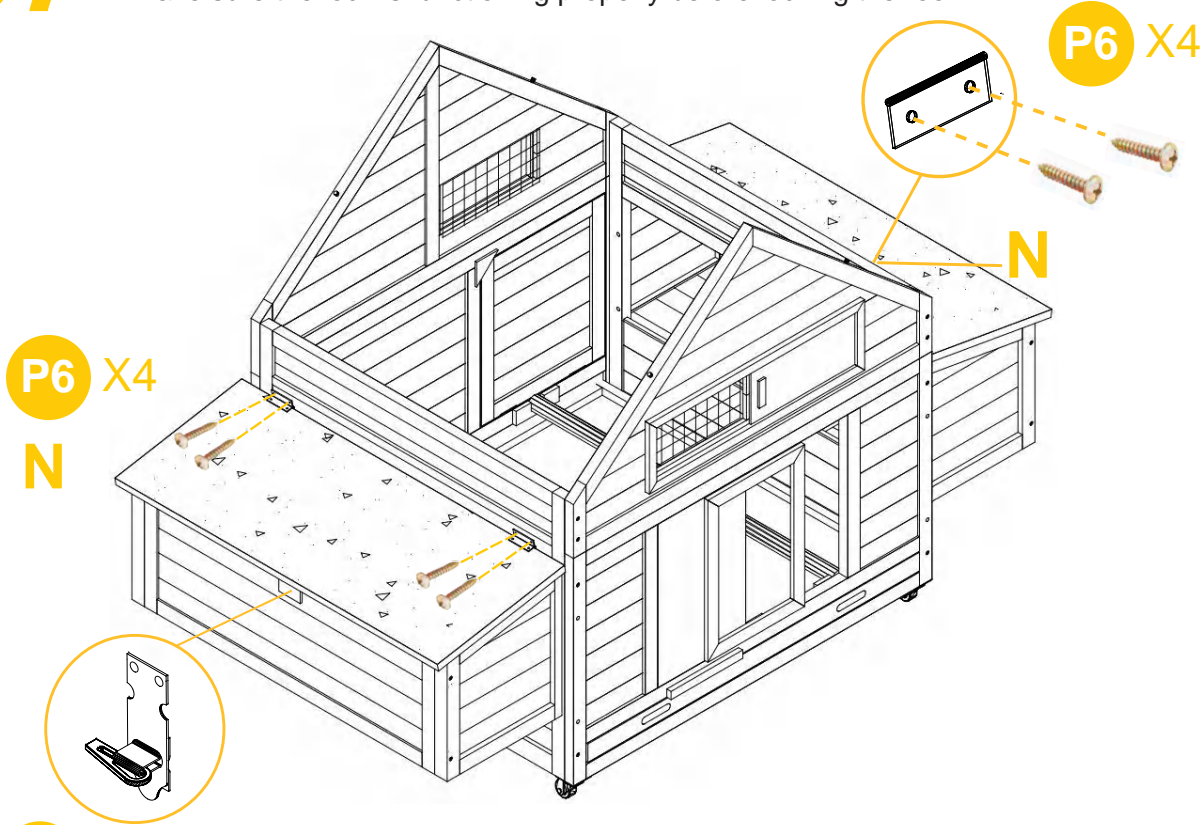


**06** Drop in the bottom panel of nesting box Part L. Slide in the divider Part M on each side .

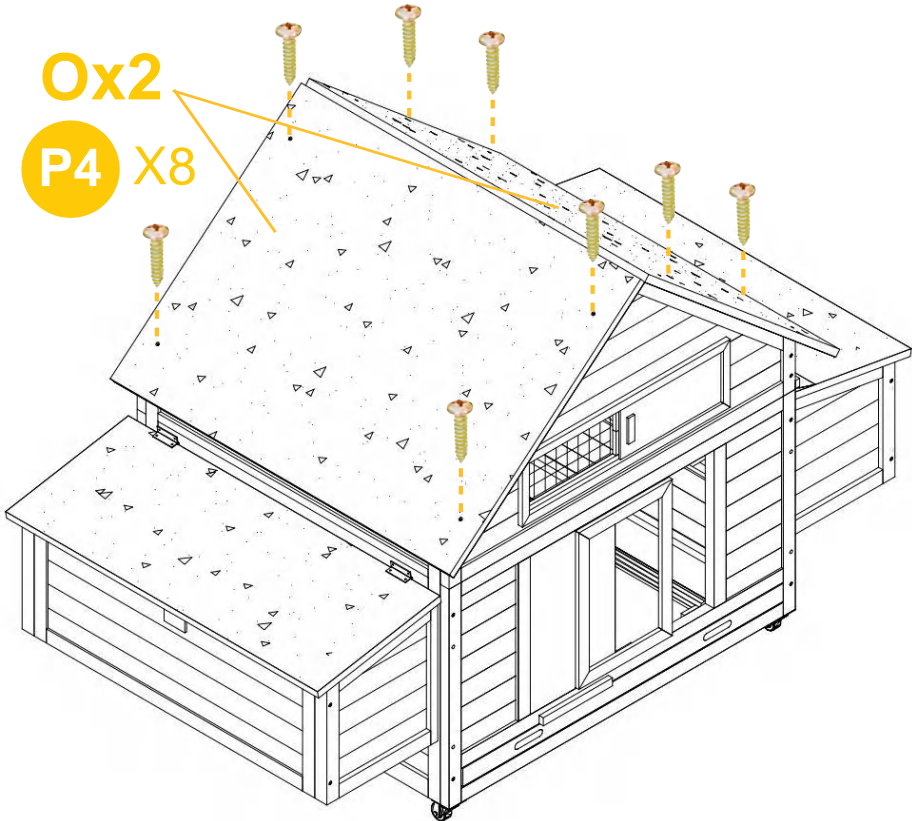


# PRODUCT ASSEMBLY

**07** Attach the roof of nesting box 2xPart N to the nesting box by 4XP6 screws on each side. Make sure the lock is functioning properly before locking the roof.



**08** Attach the coop roof 2xPart O to the coop by P4x8.

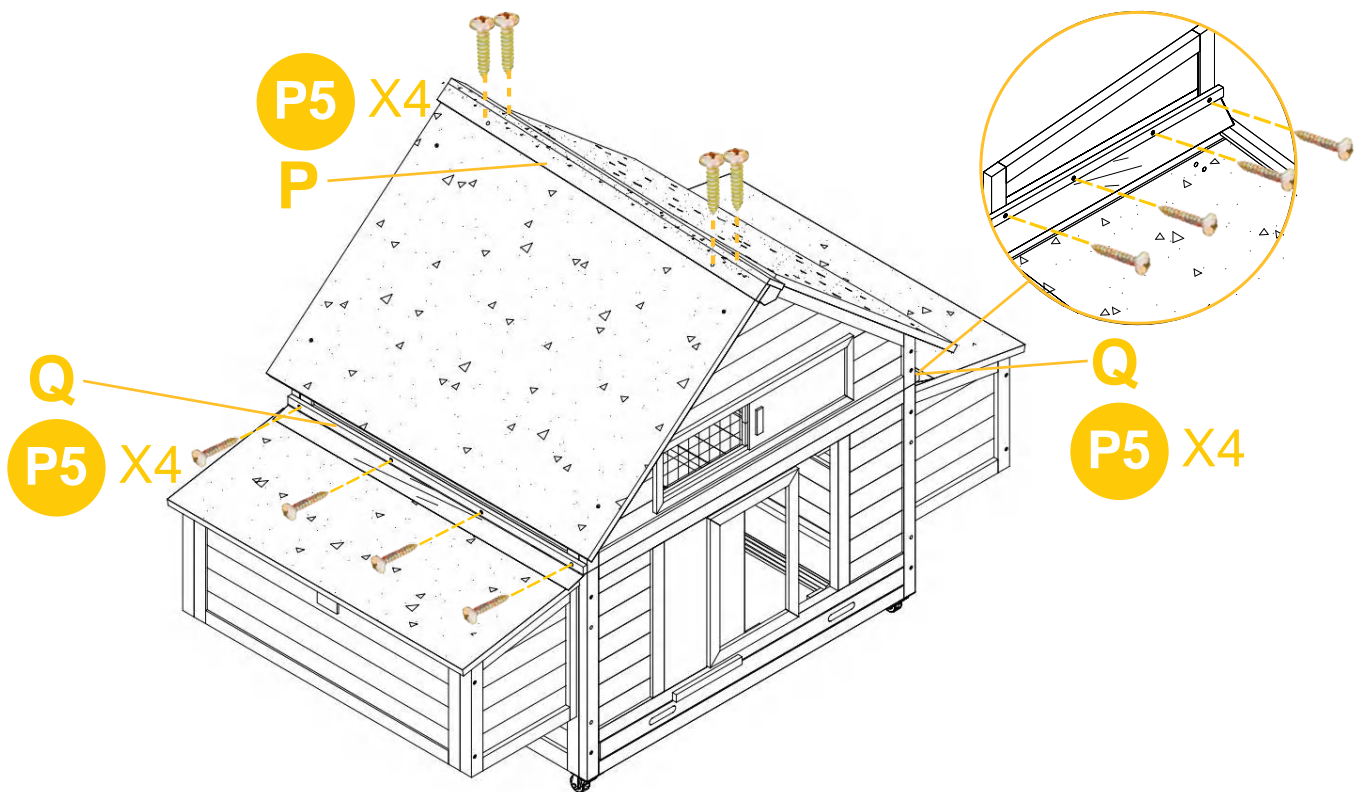


# PRODUCT ASSEMBLY

## 09

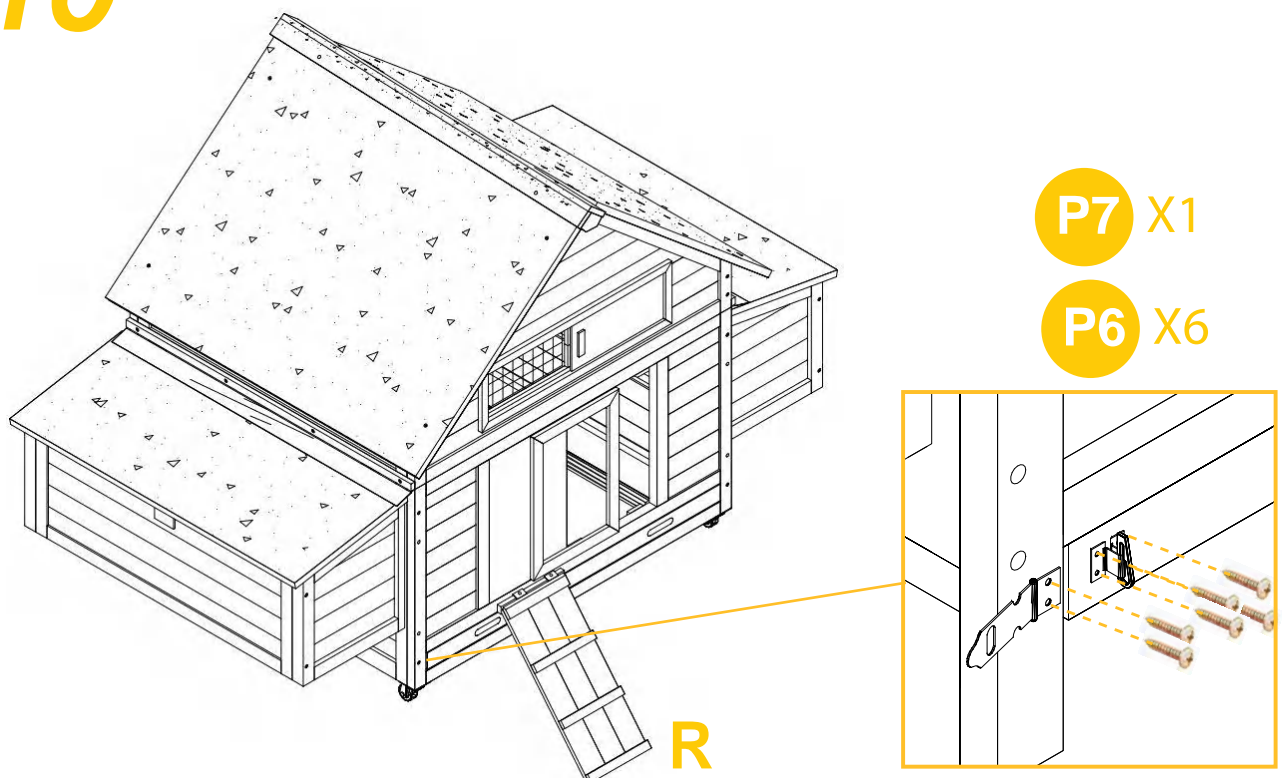
Attach the roof cap Part P by P5x4.

Attach PVC Waterproof Strip 2xPart Q to the nesting box by P5x4 on each side.



## 10

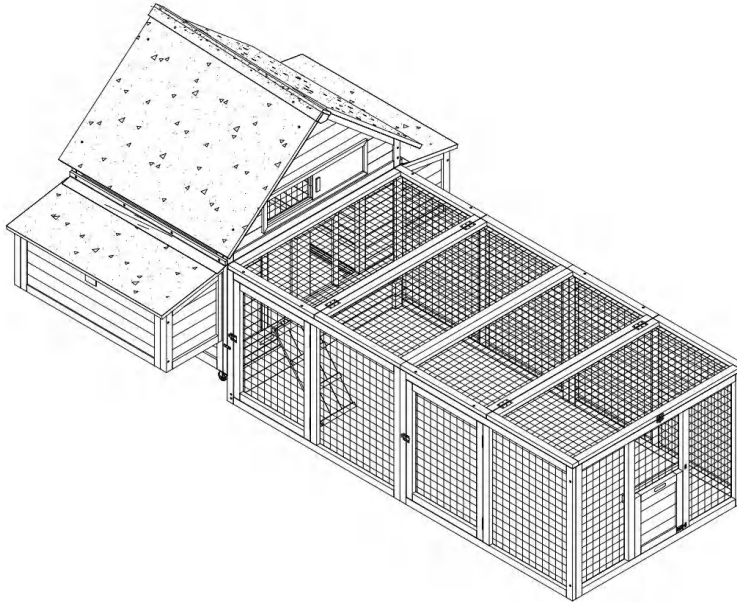
Attach the lock P7 to the tray by P6x6.



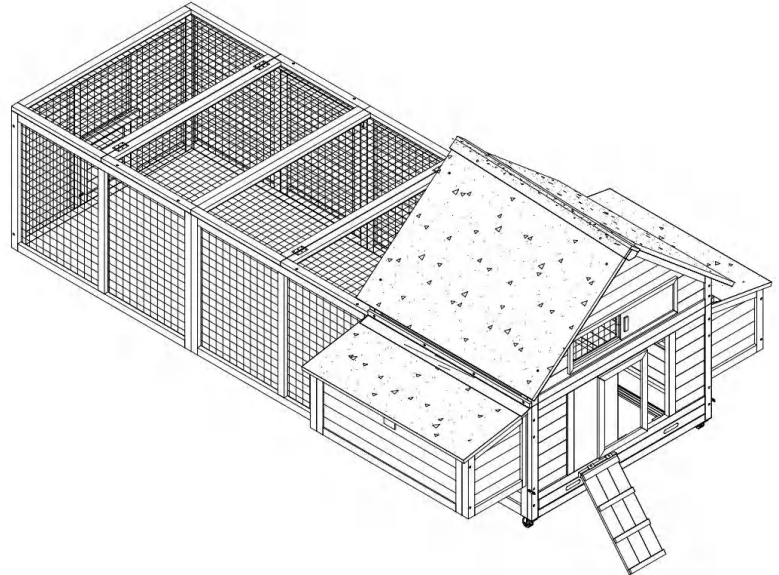
**Notice**  
Read Before Assemble!

Pls ignore the following for only one coop owner !

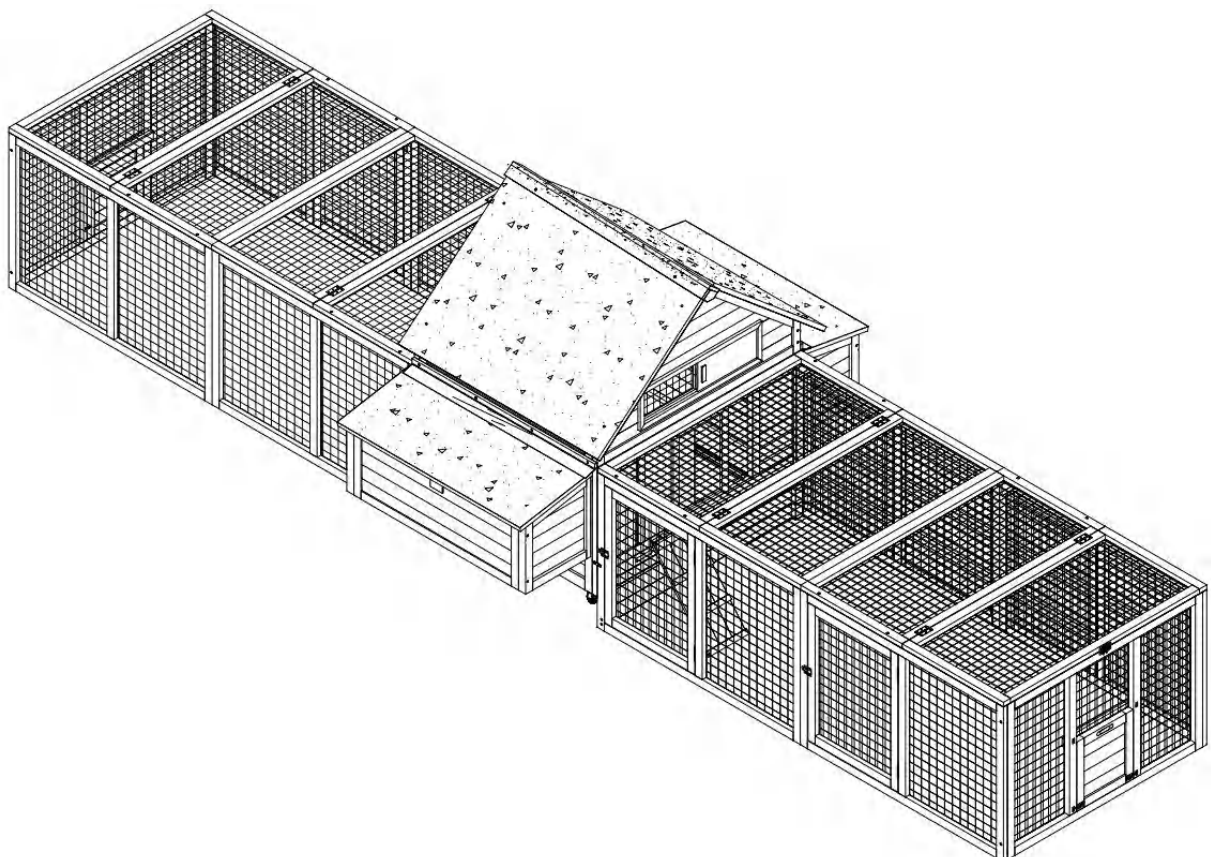
**Combination 1**



**Combination 2**



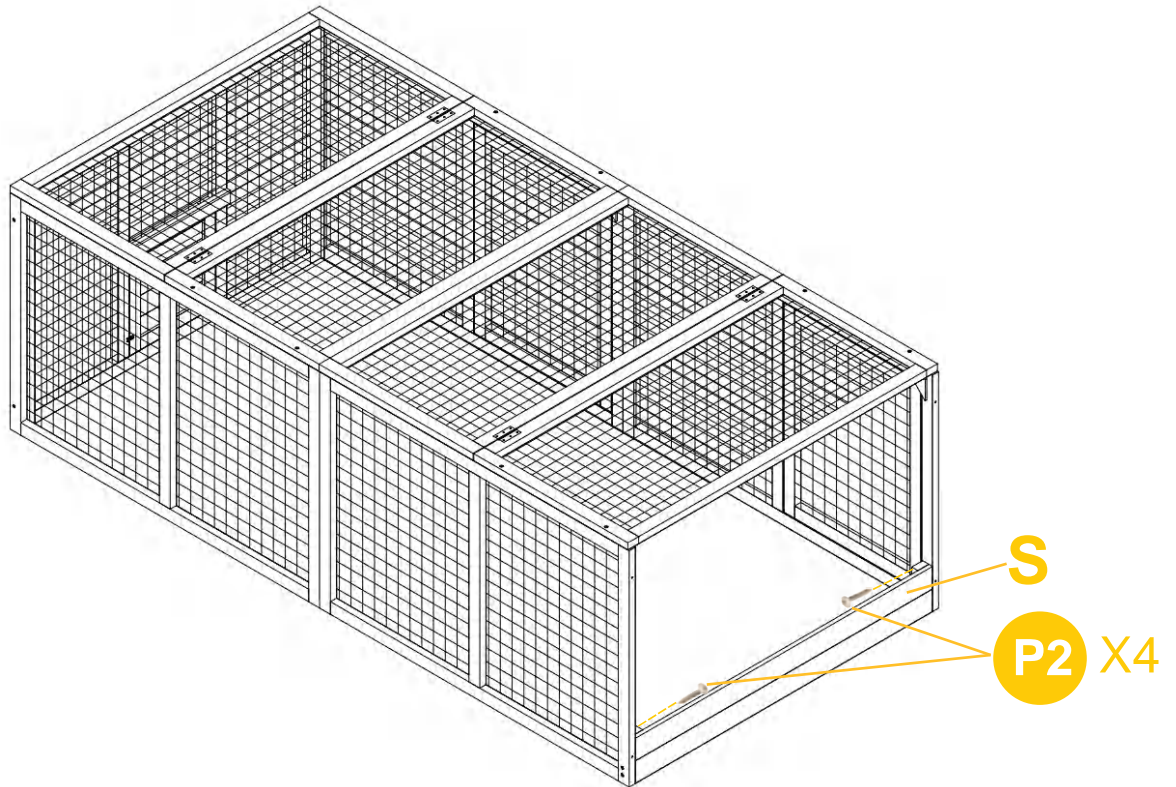
**Combination 3**



# PRODUCT ASSEMBLY

11

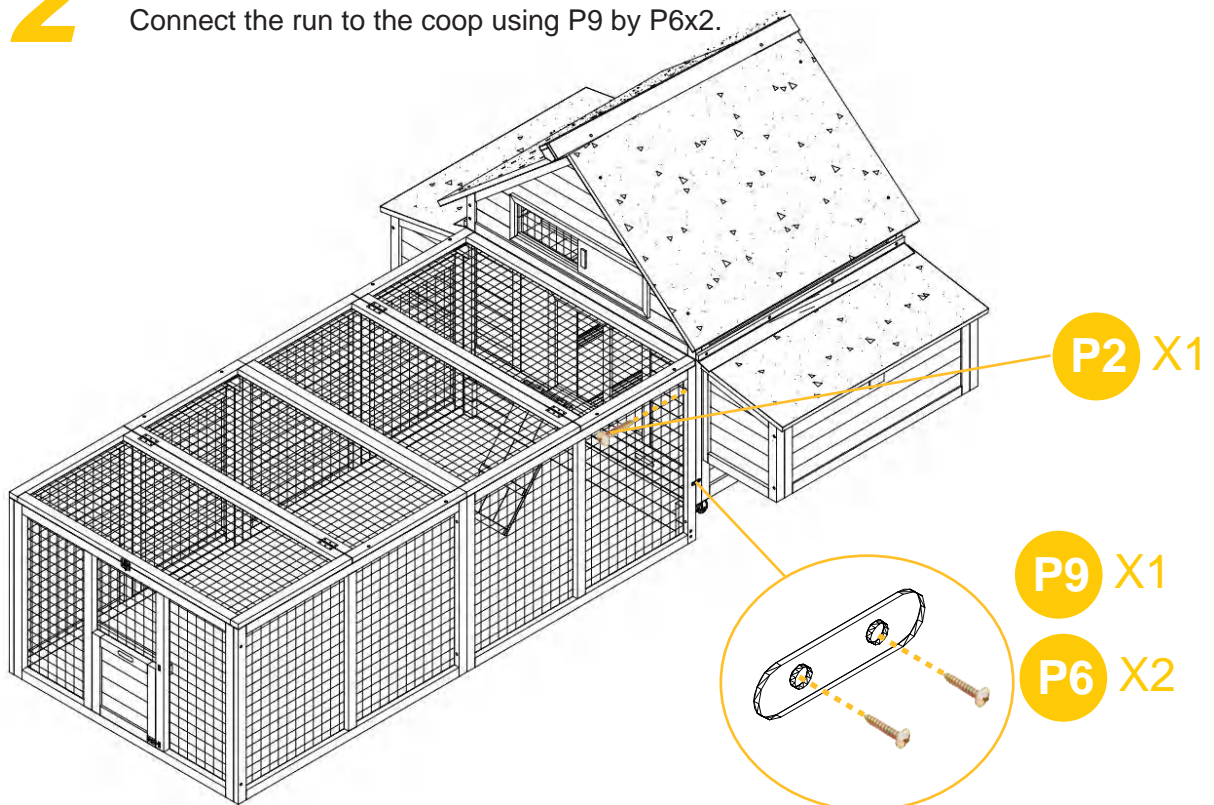
Attach the bottom plate Part S to the run by P2x4.



12

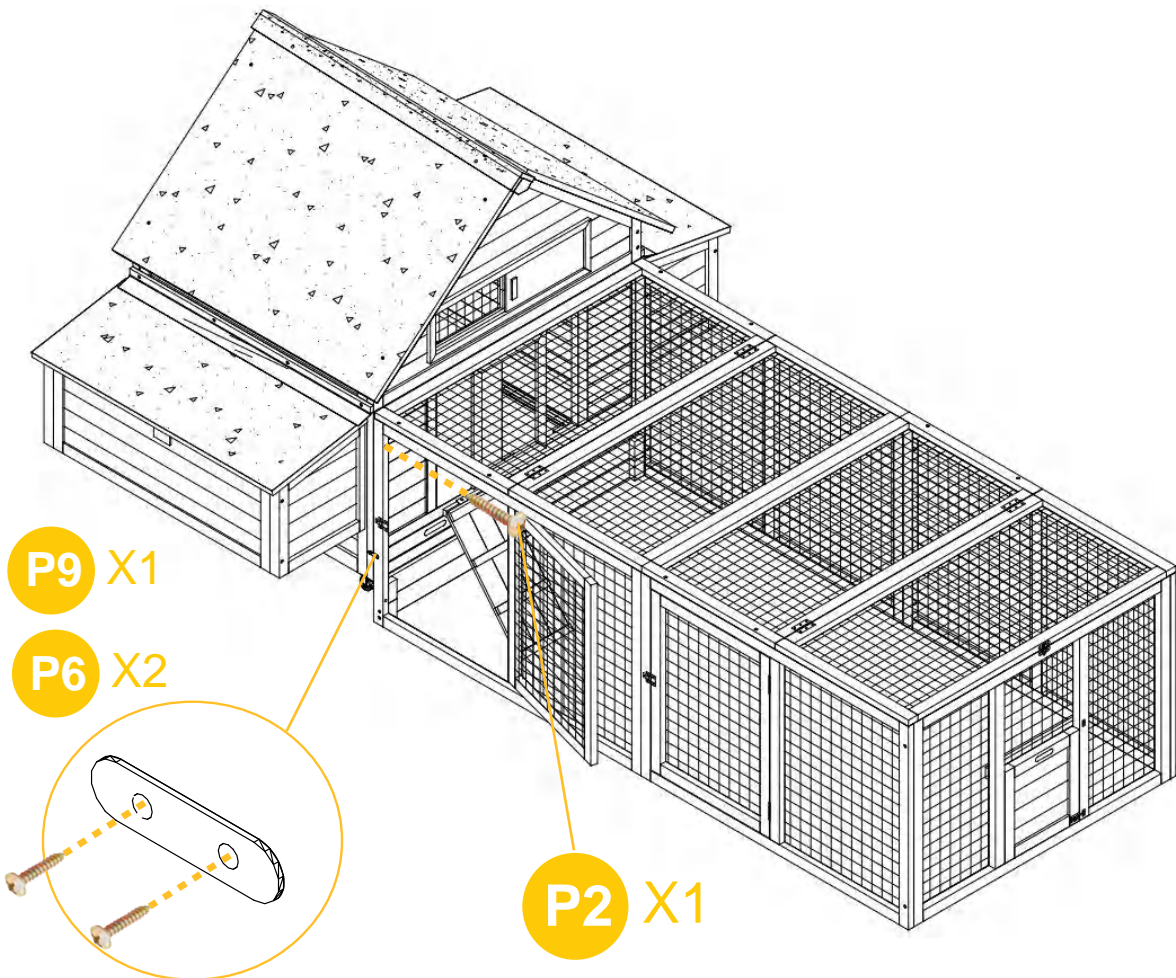
Attach the run to the coop by P2x1.

Connect the run to the coop using P9 by P6x2.



## PRODUCT ASSEMBLY

**13** Repeat on the other side(Please make sure the run door is open before screwing P2).



Finish



**WARNING**

Manufacturer and seller expressly disclaim any and all liability for personal injury, property damage or loss, whether direct, indirect, or incidental, resulting from the incorrect attachment, improper use, inadequate maintenance, or neglect of this