



# INSTRUCTION MANUAL

---

3-Seat Converting  
Outdoor Swing

Model: YN8068



## NOTICE

Please retain these instructions for future reference.

- Please do not exceed the weight limitations of this item.
- Do not stand on or use any part of this item as a step ladder.
- Firmly secure all bolts, screws and knobs before use.
- Reconfirm that all bolts, screws, and knobs are secure every 90 days.
- Fasten screws loosely during initial assembly. Do not firmly tighten the screws until the item is completely assembled.
- Be aware that some parts are heavy and have sharp edges.
- If any parts are missing, broken, damaged, or worn, stop using this product until repairs are made and/or factory replacement parts are installed.
- Do not use this item in a way inconsistent with the manufacturer's instructions as this could void the product warranty.

## TOOLS REQUIRED



ALLEN WRENCH  
(PROVIDED)



WRENCH  
(PROVIDED)



750 LBS  
CAPACITY



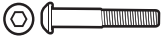
2 PERSON  
ASSEMBLY



UP TO 60 MIN.  
ASSEMBLY

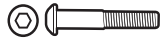
## HARDWARE

**1** M8 x 98mm  
BOLT SET



2 PCS

**2** M8 x 95mm  
BOLT SET



4 PCS

**3** M8 x 78mm  
BOLT SET



2 PCS

**4** M6 x 60mm  
BOLT SET



6 PCS

**5** M6 x 40mm  
BOLT SET



4 PCS

**6** M6 x 35mm  
BOLT SET



4 PCS

**7** M6 x 32mm  
SCREW



6 PCS

**8** M6 x 30mm  
BOLT SET



6 PCS

**9** NUT CAP



24 PCS

**10** SPRING HOOK



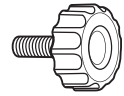
2 PCS

**11** SPACER



2 PCS

**12** KNOB



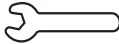
2 PCS

**13**



1 PC

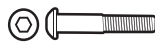
**14**



1 PC

**15**

M6 x 30mm  
BOLT SET



## PARTS

**A** TOP BAR



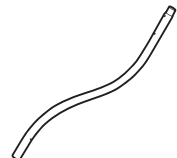
1 PC

**A1** TOP BAR

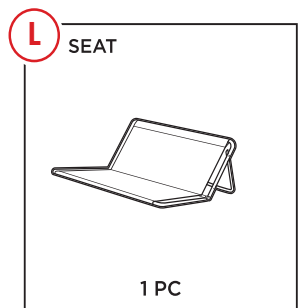
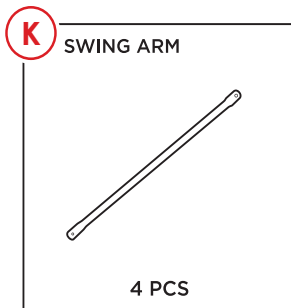
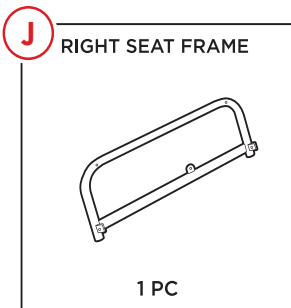
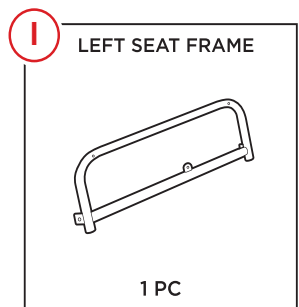
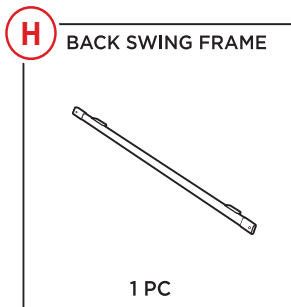
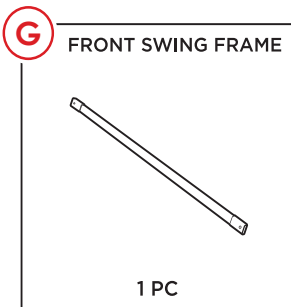
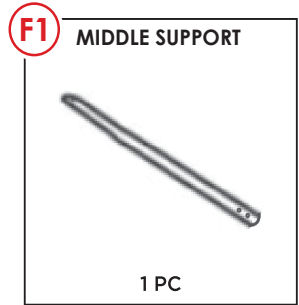
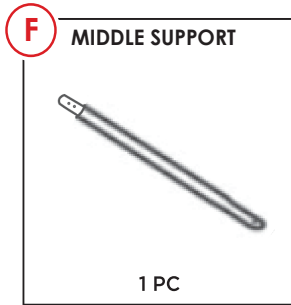
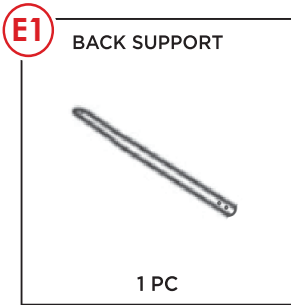
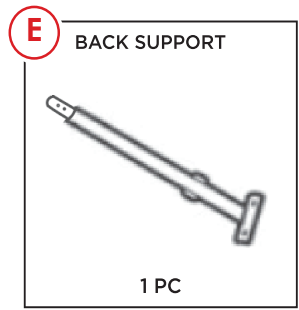
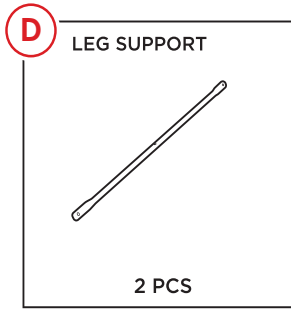
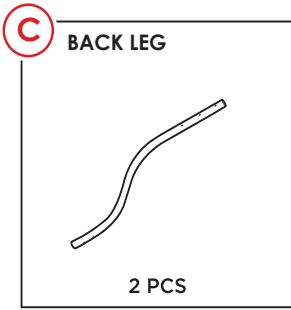


2 PCS

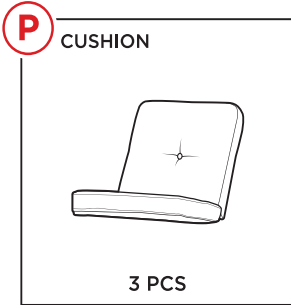
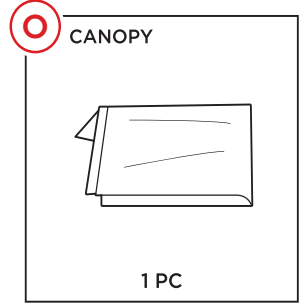
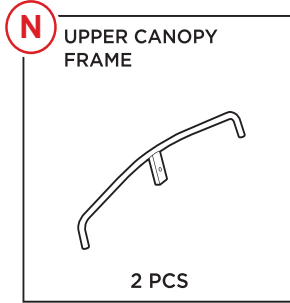
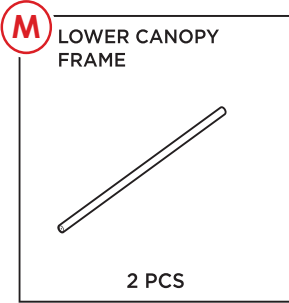
**B** FRONT LEG



2 PCS



## PARTS

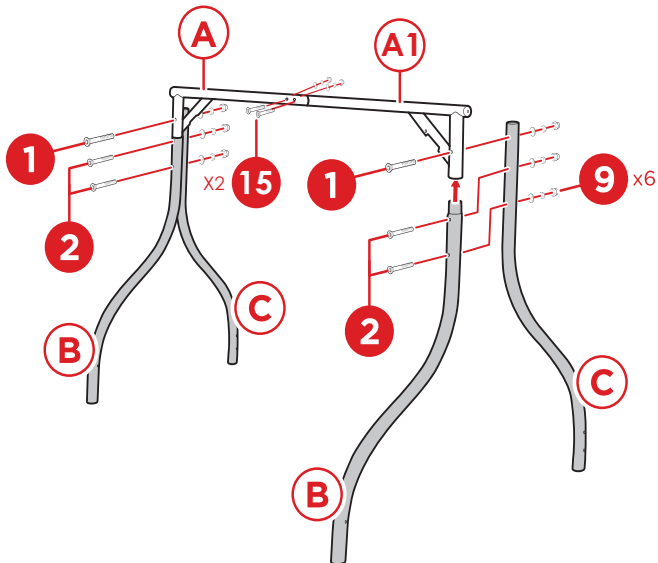


## PRODUCT ASSEMBLY

**1**

Insert a part B front leg into the part A top bar. Attach a part C back leg with a part 1 bolt set and two part 2 bolt sets. Repeat on the other side.

Place a part 9 nut cap on every nut.



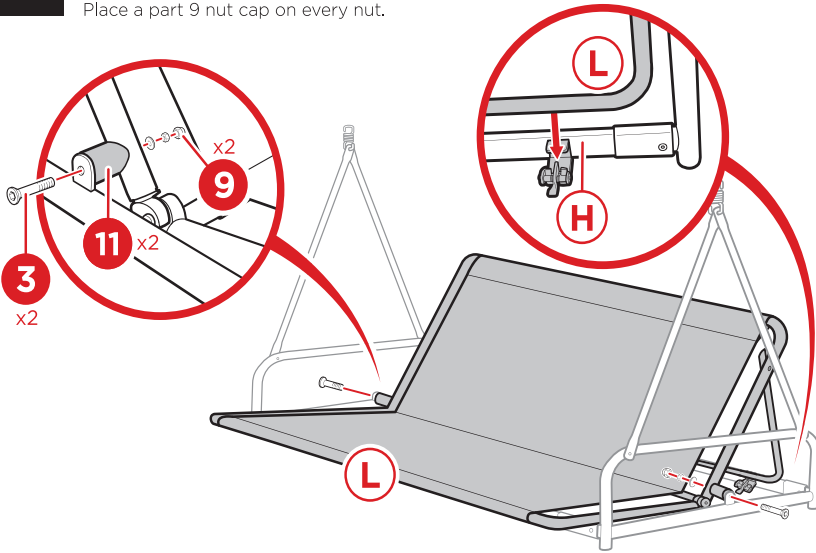


## PRODUCT ASSEMBLY

**4**

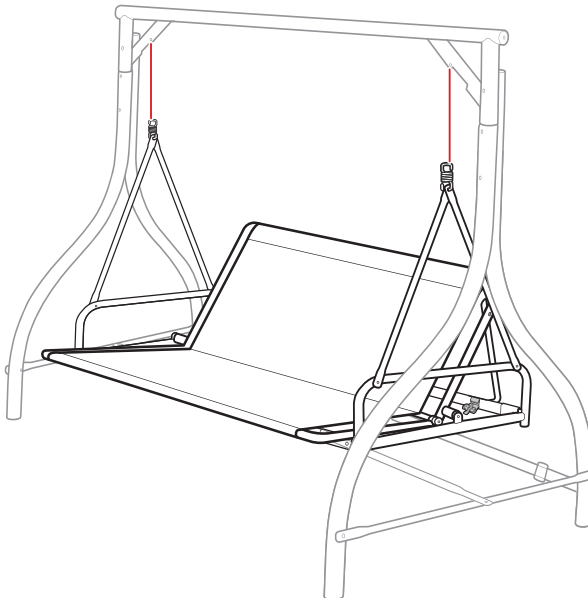
Insert the part L seat into the clamps on the back swing frame. Attach the seat with two part 3 bolt sets and two part 11 spacers.

Place a part 9 nut cap on every nut.



**5**

Hang the swing by inserting the spring hooks into the designated holes on the top bar.



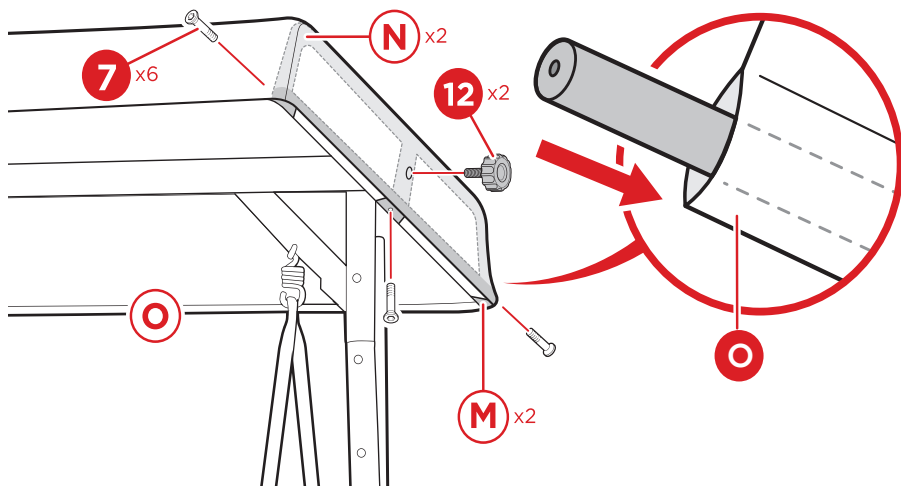
## PRODUCT ASSEMBLY

6

Slide a part M lower canopy frame into the slots on the part O canopy.

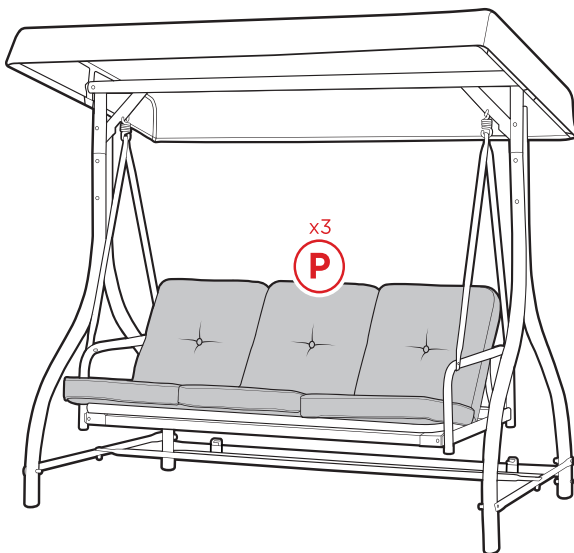
Within the canopy, attach a part N upper canopy frame with three part 7 screws. Repeat on the other side.

Secure the canopy to the swing with two part 12 knobs, one on each side.



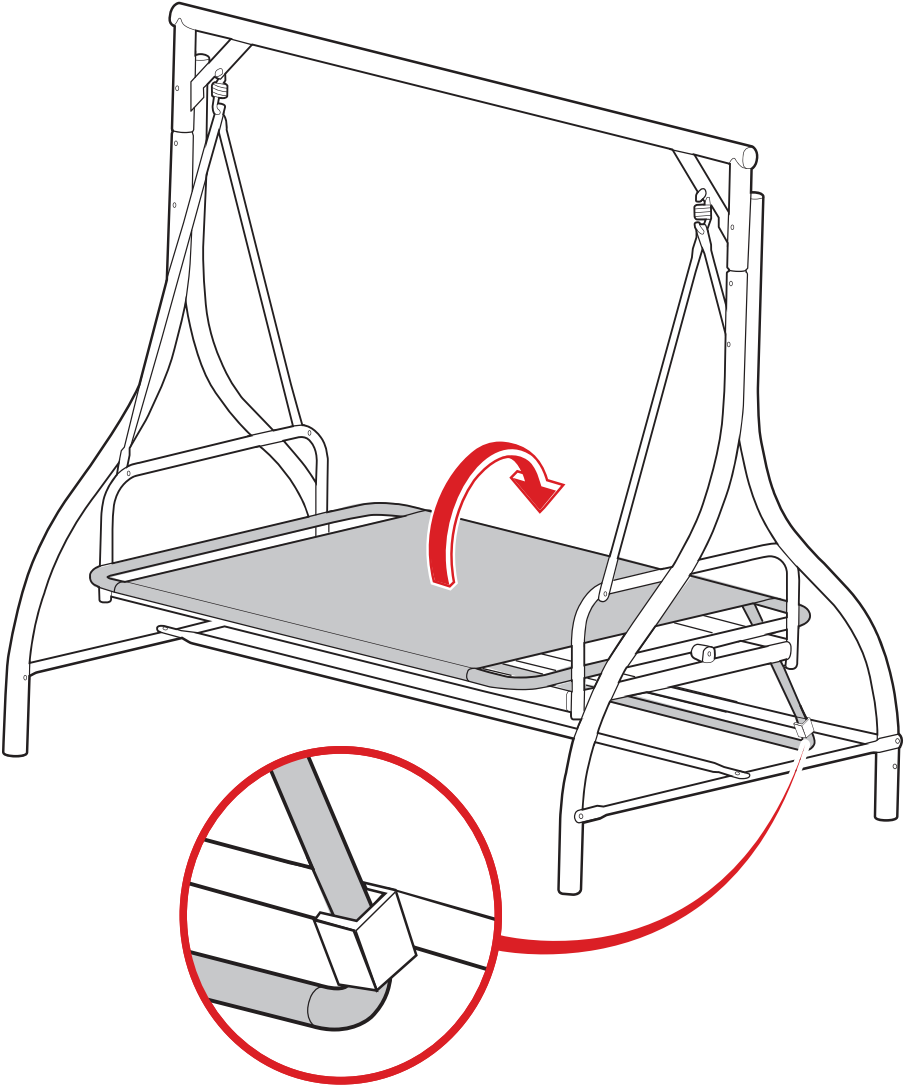
7

Place three part P cushions.




## CONVERTING THE SWING

Pull the seat up from the clamps on the back swing frame. Lay the seat flat while sliding the support arm into the designated slots on the rear of the swing.



**Hersteller:** Zhejiang Ningcheng Outdoor Product Co.,Ltd.  
**Address:** NO.2509,BAIYE EAST ROAD,DATIAN TOWN, LINHAI, TAIZHOU, ZHEJIANG, CHINA

**Made in China**



FR

BARQUETTE  
+ ÉTUI

BAC DE TRI

FR

Donnez ou recyclez vos meubles.

Association ou Magasin ou Déchèterie

<https://quefairedemesdechets.fr>