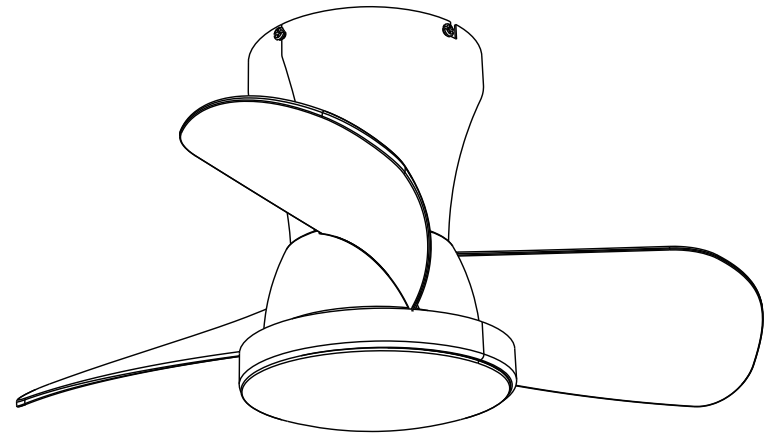


尺寸:A5 (展开尺寸: 284*210mm 对折尺寸: 142*210mm)

材质:128g铜版纸+正反面1C+骑马钉



INSTALLATION MANUAL

CEILING FAN WITH LIGHT

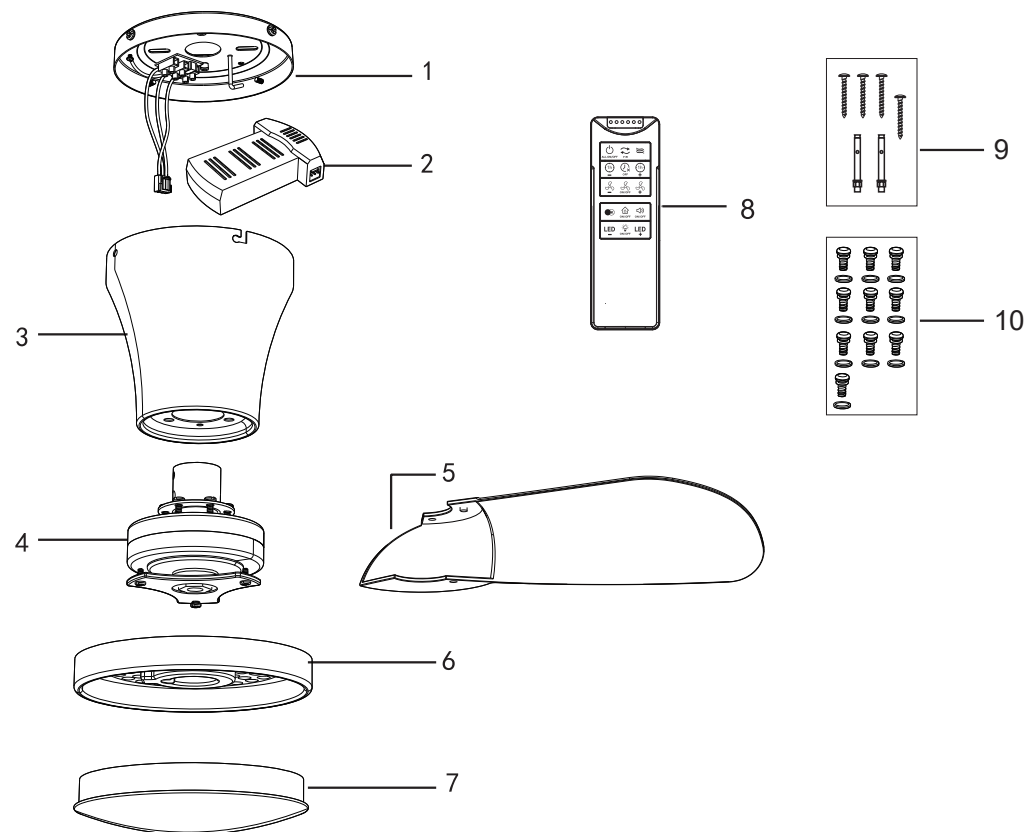
Thank you for buying and using our products. For your safety and benefit, please read the instruction manual carefully before using this product. This instruction manual contains complete instructions for installing and operating your fan.

This Instruction Manual is designed to make installation as simple as possible. **If you are unfamiliar or uncomfortable with wiring, contact a qualified electrician.**

WARNING

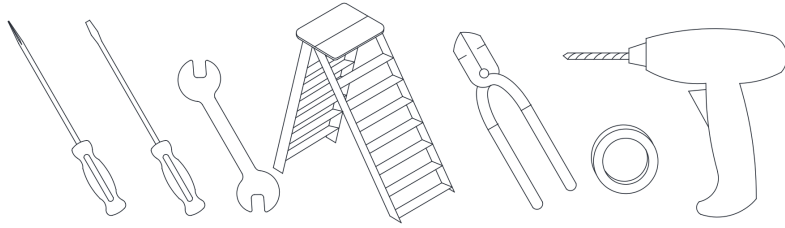
- ▶ To reduce the risk of fire, electrical shock, or personal injury, please ensure that the fan placement allows the blade to maintain a gap of 7.6 feet (2.3 meters) around the blades and 20 inches (50cm) from the ceiling. Mounting point must support at least 35 pounds(15.9 kg).
- ▶ To avoid possible electrical shock, before installing or servicing your fan, disconnect the power by turning off the circuit breakers to the outlet box and associated wall switch location.
- ▶ To reduce the risk of electric shock, this fan must be installed with an isolating wall control/switch.
- ▶ To reduce the risk of personal injury, do not bend the blade brackets when installing the blade brackets, balancing the blades, or cleaning the fan. Do not insert foreign objects in between rotating fan blades.
- ▶ Make sure that the installation location you choose allows the fan blades to rotate without obstacles.
- ▶ After installing the fan and before operating, please ensure the fan is securely mounted to prevent the fan from falling.
- ▶ All wiring must be in accordance with national and local electrical codes ANSI/NFPA 70. **If you are unfamiliar with wiring, use a qualified electrician.**

1 What's in the box



- | | |
|--------------------|--------------------------------|
| 1. Ceiling Bracket | 6. Lamp |
| 2. Receiver | 7. Lampshade |
| 3. Fan Canopy | 8. Remote Control |
| 4. Motor | 9. Kits for Ceiling Bracket(1) |
| 5. Blade | 10. Kits for Blade(5) |

2 Tools Needed



You may need the tools below (Not included) :

- Screwdrivers
- Wrench
- Ladder
- Wire Strippers
- Electrical Tape
- Power drill

3 Installation Steps

• Secure Bracket

1-1. Find Fan Canopy(3)
(pre-assembled with the
Ceiling Bracket(1))

1-2. Unscrew the 2 screws A, loosen
the 2 screws B, then rotate and remove
the ceiling bracket (1).
Don't throw away the screws.

2-1. Make sure the power is
turned off!

2-2. Install Ceiling Bracket(1)
Make sure the mounting point
can support 35 pounds (15.9kg)
weight.

wooden ceiling

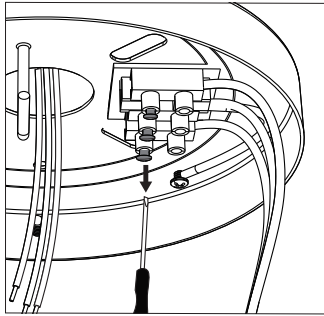
3-1. Drill 4 pilot holes in
your ceiling with a power
drills first, then secure the
plate with wood screws.

concrete ceiling

3-2. Drill 2 holes in the base
material with a hammer
drill and a correctly sized
carbide drill bit for the
anchor and clean out the
hole of all debris. Knock
expansion screw into the
hole and the tighten it with
a wrench.

Screws-9. Kits for Ceiling Bracket(1)

• Wiring



⚠ WARNING

To avoid possible electrical shock, before installing your fan, disconnect the power by turning off the circuit breakers to the outlet box associated with the wall switch location.

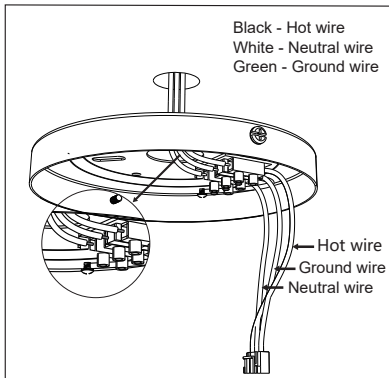
⚠ WARNING

FAN FALL HAZARD
Make sure screws are tight.

⚠ WARNING

FAN FALL HAZARD
To prevent SERIOUS INJURY or DEATH:
• ALWAYS tighten setscrew with pliers.
• DO NOT hand tighten setscrew.
• CHECK the setscrew is tight using pliers each time you change fan direction.

4-1. Loosen the 3 screws of the power cord jack.



NOTICE

The corresponding colors of the wires in the picture are only the fan wires, and do not include the wiring in your home.

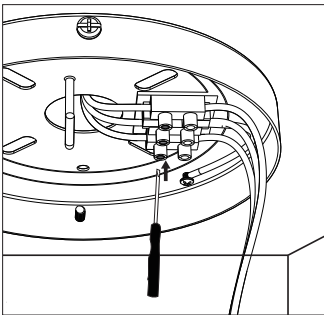
⚠ WARNING

The ceiling fan must be grounded. If the ground wire for the installation site is not present, immediately **STOP** installation and consult a qualified electrician.

⚠ WARNING

All wiring must be in accordance with national and local electrical codes ANSI/NFPA 70. *If you are unfamiliar with wiring or in doubt, consult a qualified electrician.*

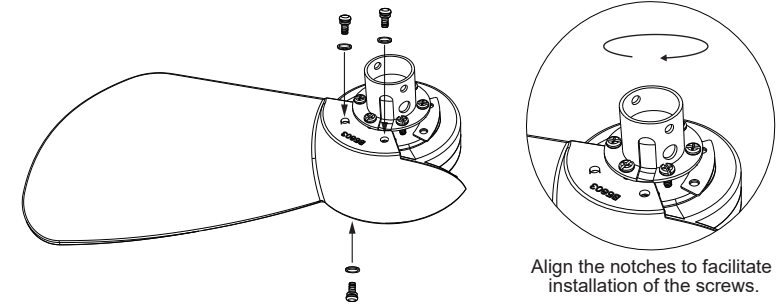
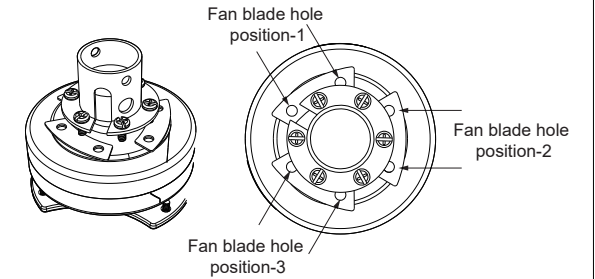
4-2. Connect the main power cord to the corresponding power cord jack.



4-3. Tighten the 3 screws.

• Blade Installation

5. Find the motor(4) and determine the hole position of the fan blades.

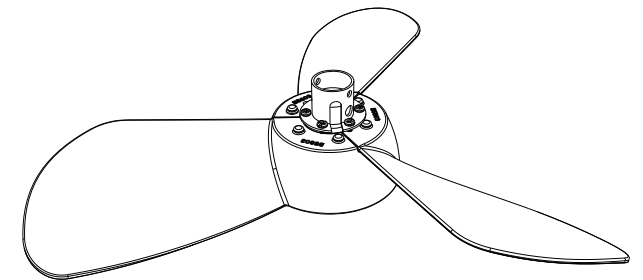


Align the notches to facilitate installation of the screws.

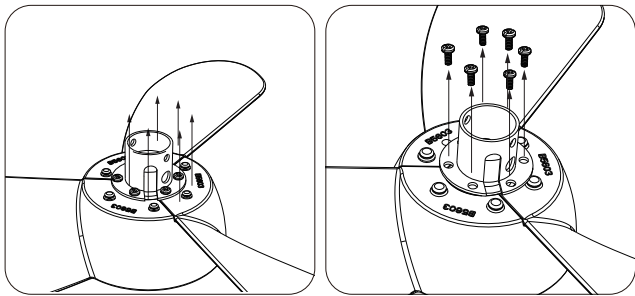
6. Use 2 screws to secure the top of the fan blade(5). Use 1 screw to secure the bottom of the fan blade.

Screws-10. Kits for Blade(5)

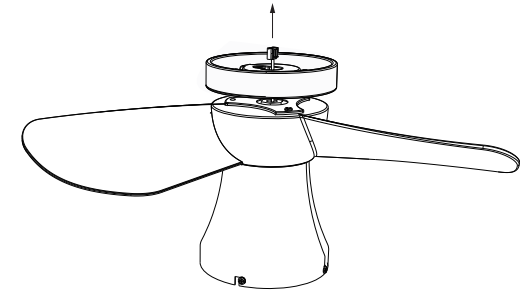
7. Complete fan blade installation.



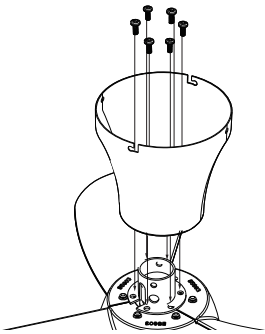
8. Remove the 6 screws that come with the motor.
(Not on the fan blades)



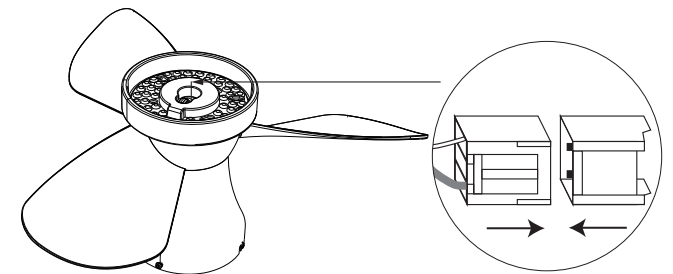
11. Assemble the lamp(6) and pass the LED power cord through the hole in the center of the lamp.



9. Assemble the Fan Canopy(3) and retighten the 6 screws removed in the previous step to secure the Fan Canopy(3) .

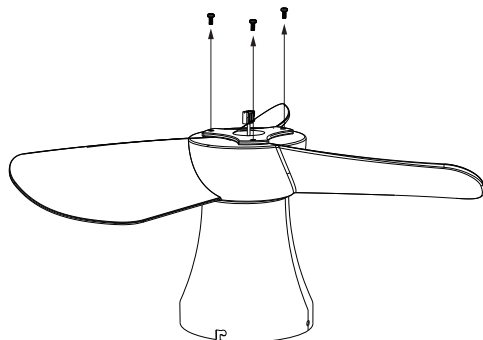


12. Connect the LED power cord.

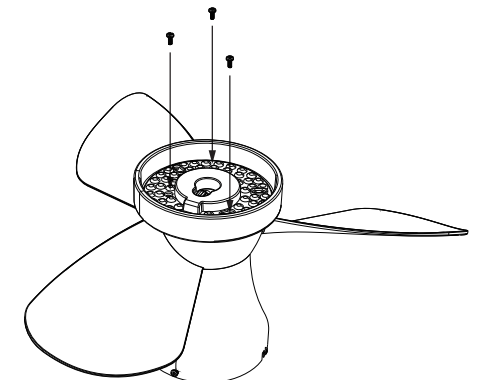


• Installation of Light Kit

10. Remove the 3 screws at the bottom of the motor.
(Not on the fan blades)

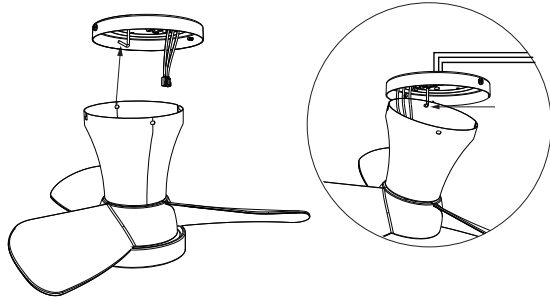


13. Tighten the 3 screws removed in step 10 to secure the lamp.



• **Wiring**

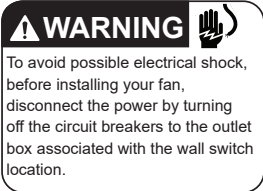
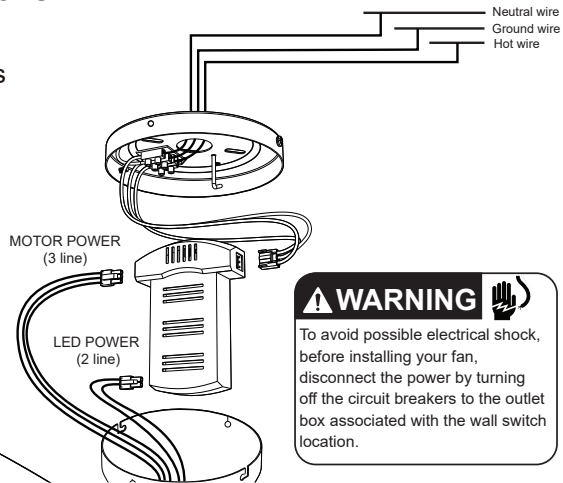
14. Hang the hole of Fan Canopy(3) to the hook of Ceiling Bracket(1) to facilitate wiring.



Simple wiring instructions

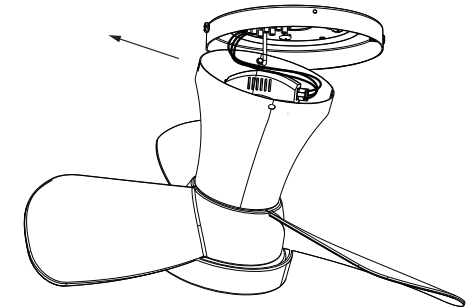
15. Connect the 3 power cords to the receiver (2). Make sure the motor power supply and LED power supply are linked to the same side of the receiver.

NOTE: Each power cord corresponds to a unique jack structure.

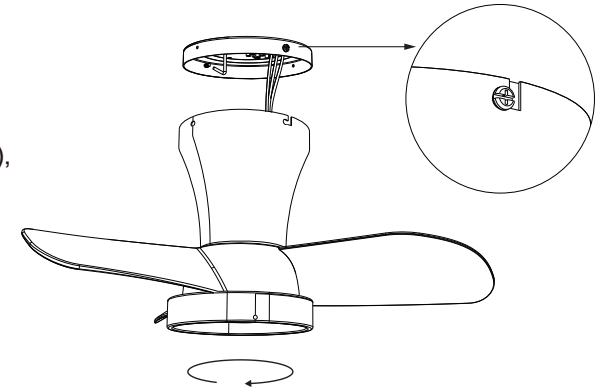


• **Install fan to the ceiling**

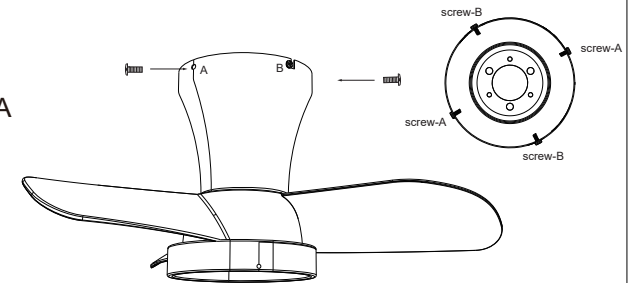
16. After the wiring is completed, put the receiver (2) into the fan cover (3).



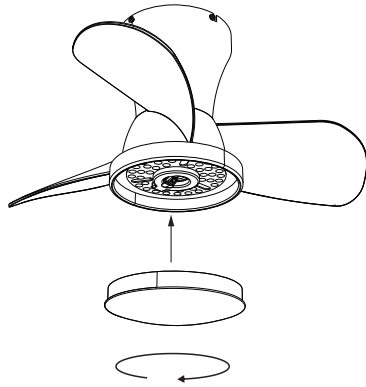
17. Hang the fan on the two screws of Bracket (1), rotate and tighten the screws. This will make it easy to install the remaining screws.



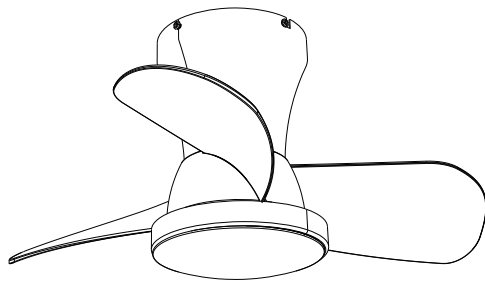
18. Install the remaining A screws (the two screws removed in step 1) and tighten all screws!



19. Install the lampshade (7) and rotate to attach it.



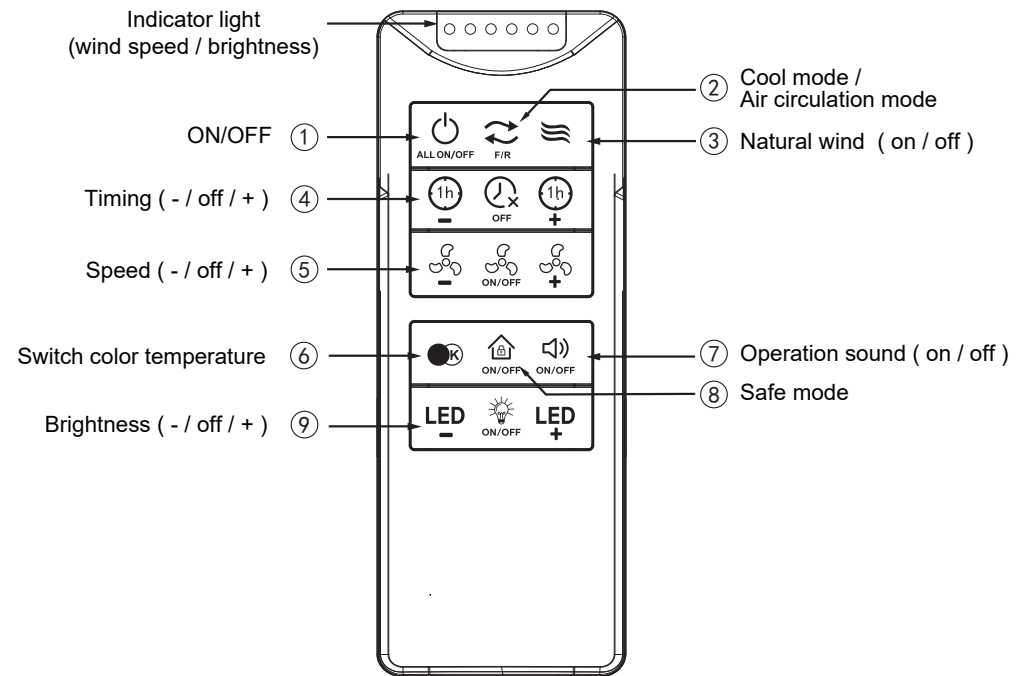
20. Installation completed.



4 Specifications

Model	FS2003
Voltage	120V
Power	30W motor/ 22W light
Color temperature	Warm white/Nature white/Daylight
Brightness	1200Lm
Fan diameter	22 inches

5 Introduction to remote control



Safe mode :



- (1) Press once and hear a beep, indicating that safe mode is turned on. Cycle the lights on/off after 2 hours. (Lights automatically turn on for 5 minutes, then turn off automatically for 5 minutes.)
- (2) Press again, hear two beeps, and safe mode is turned off.
- (3) Press any other button to cancel the safe mode by default.

6 Troubleshooting

Fan Doesn't Work

- Make sure power switch is on.
- Check the circuit breaker to ensure the power is turned on.
- Make sure the blades spin freely.
- Turn off power from the circuit breaker, then loosen the canopy and check all the connections according to the wiring diagram.

Excessive Wobbling

- Make sure the blades are properly installed.
- Turn off the power. Check if all screws are tightened.

Noisy Operation

- Make sure the blades are properly installed.
- Check to see if any of the blades are damaged. If so, replace all of the blades.

Remote Control of Fan is Erratic

- Make sure the battery is installed correctly.
- Replace battery.
- To re-pair the remote:
Disconnect power to the fan for 1 minute. Then reconnect the power supply, at the same time put the remote control close to the fan, press the “⏻” and “↻” buttons on the remote control at the same time, and release when you hear a beeping sound.

7 Warranty

Make it cozy, make it home. Which is the goal that we have been pursuing. We'd like to provide the best product and service to you. We provide a 24-month warranty for you (Excludes incorrect installation or other accidental damage).