

ASSEMBLY INSTRUCTIONS

MODEL : SADDLE 24" WITH WOODEN SEAT

Dear Customer,

Thank you for purchasing our furniture products.

Read instruction carefully. See hardware and furniture part list for guidance. Be sure all part is complete before assembly. Place all wooden furniture parts on a clean and flat surface to prevent from being scratched. Follow the figure to start assembling.

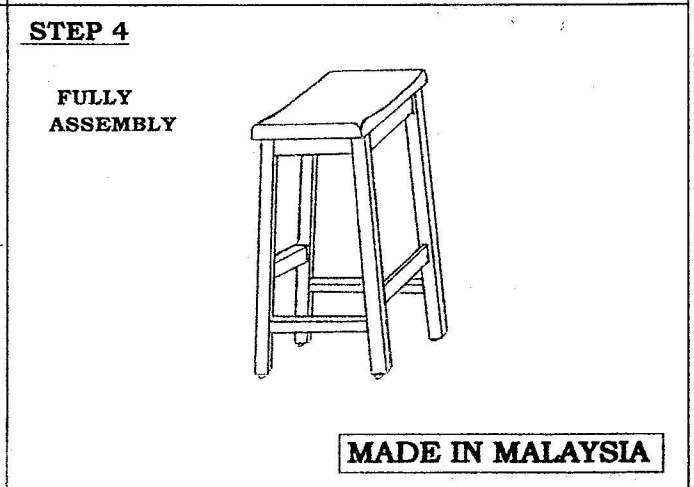
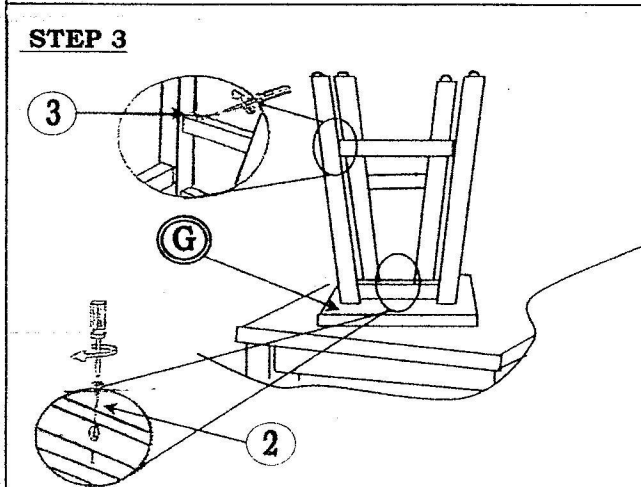
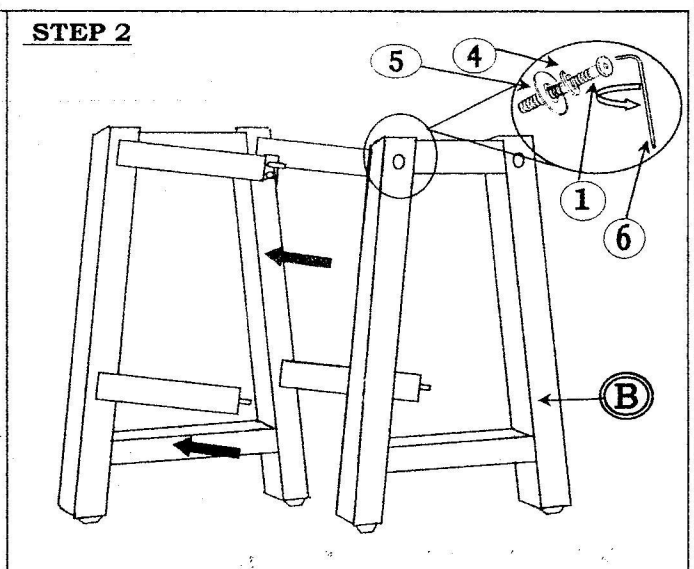
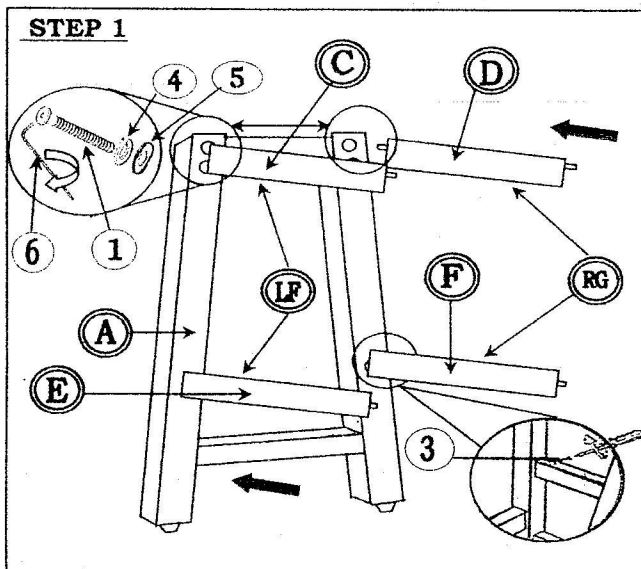
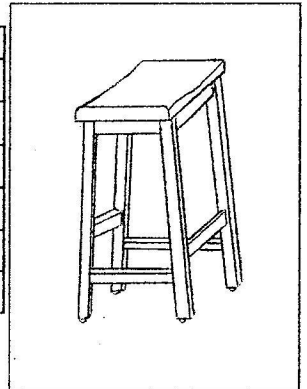
CAUTIONS !!!

1. DO NOT FULLY TIGHTEN THE NUT OR BOLTS UNTIL ALL THE NUTS OR BOLTS IS READY ASSEMBLED.

2. DO NOT OVER TIGHTEN THE NUT OR BOLTS TO AVOID CAUSING DAMAGES TO THE THREAD.

No	PARTS LIST	QTY	NO	HARDWARE LIST	QTY
A	LEG FRAME	1pc	1	JCBC BOLT M6 x 40mm	4pcs
B	LEG FRAME	1pc	2	CSK SCREW M4 x 32mm	6pcs
C	SIDE RAIL (LEFT)	1pc	3	CSK SCREW M4 x 38mm	4pcs
D	SIDE RAIL (RIGHT)	1pc	4	SPRING WASHER 1/4"	4pcs
E	STRETCHER (LEFT)	1pc	5	FLAT WASHER M6x13	4pcs
F	STRETCHER (RIGHT)	1pc	6	ALLEN KEY W/BALL	1pc
G	WOODEN SEAT	1pc			

NOTE : THE LIST QUANTITY SHOW ABOVE IS FOR 1 UNIT ASSEMBLY.



MADE IN MALAYSIA