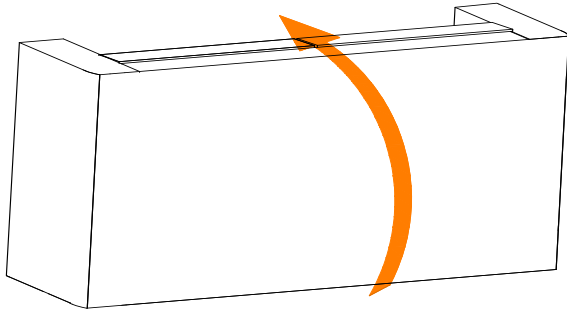


Leg Assembly Instructions

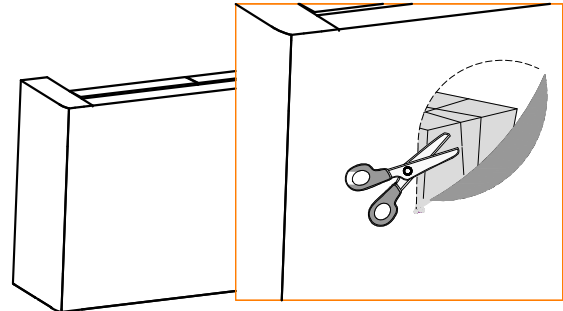
Made in China

STEP 1



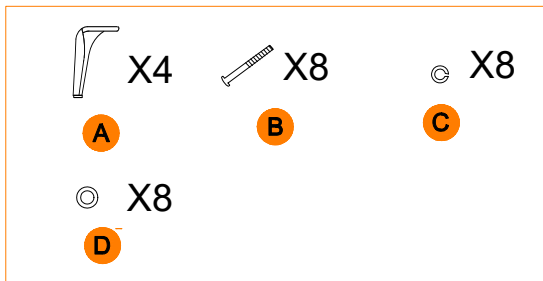
STEP 2

Unzip the storage compartment, cut the strap and remove the package

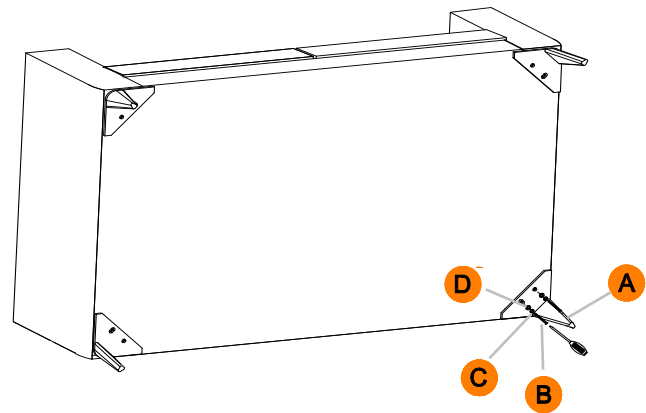


STEP 3

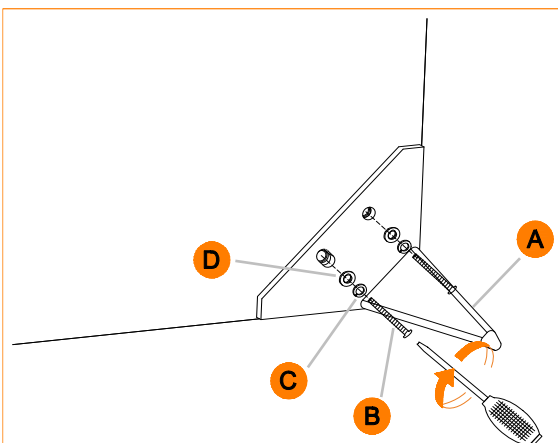
Unpack the parts package.



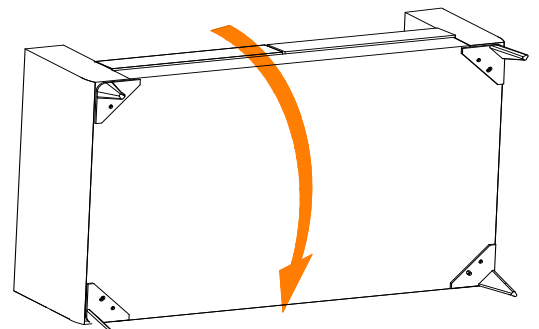
STEP 4



STEP 5



STEP 6



■ If you encounter any problem, or need any assistance, please call 844-698-4670 or send an e-mail to HELP@SIMONLI.COM.