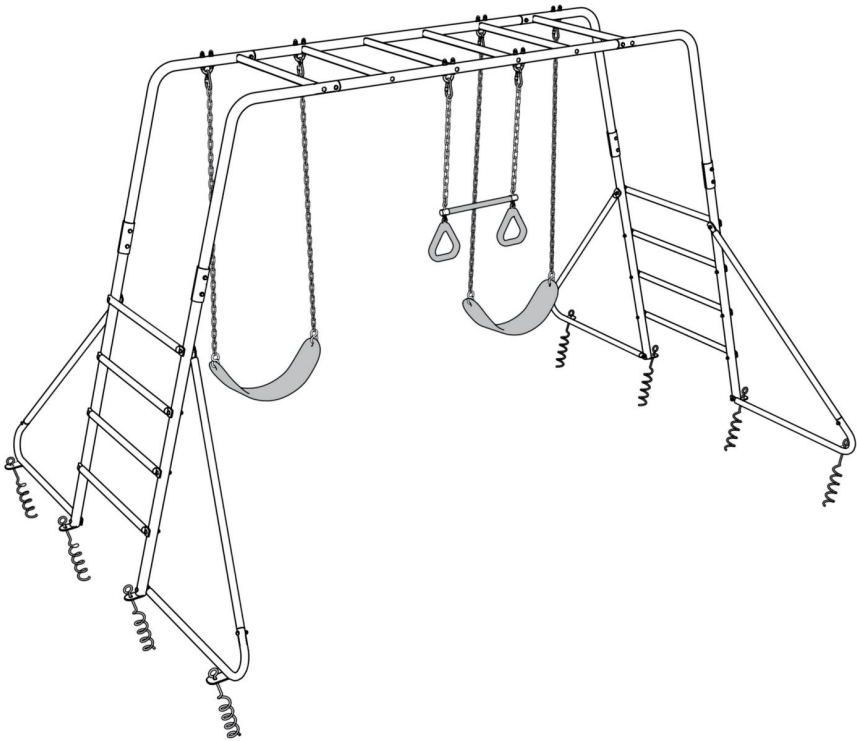


Swing Set

Assembly Instructions

V1.0



We recommend 2+ adults for assembly.

Before starting assembly, please make sure the parts are complete, identify and separate all parts first.

Keep this manual for future reference.



NOTE:

Your Children's Safety Is Our #1 Concern!

Observe the following statements and warnings to reduce the likelihood of serious or fatal injury. Please review these safety rules regularly with your children.



**WARNING!
BURN HAZARD**

- Pay special attention to plastic and metal surfaces as they may be hot enough to cause burns.
- Always check the temperature of the product before letting your children play on it.
- Remember that the product may cause burns if left in direct sunlight.
- Always be aware of the sun and weather conditions, and do not assume that the equipment is safe because the air temperature is not very high.

SAFETY INSTRUCTIONS

The Safety Of Your Children Is Our Primary Concern!

- The swing set is not intended for public use **ONLY** intended for domestic use.
- All who participate in the assembly process should wear safety glasses throughout the assembly.
- Children **MUST NOT** use this swing set until the unit has been completely assembled.
- We recommend that you set up the swing set on an even surface and maintain a distance of at least 2 m from other structures or obstacles, e.g. fence, garage, house, projecting branches, clotheslines or electric cables.
- Not suitable for children below 3 years of age. Risk of strangulation!
- Children below 3 years of age are still unable to maintain their balance.
- Since children have different development patterns, please check beforehand if your child is able to maintain his balance.
- **DO NOT** allow children to walk close to, in front of, behind, or between moving swings or other moving playground equipment.
- Instruct children to avoid swinging empty seats.
- Teach children to sit in the center of the swings with their full weight on the seats, never stand or kneel on the swing seat.
- Instruct children **NOT** to get off the swing while it is in motion.
- The recommend height from the ground to swing seat is 20in(50cm).
- Maximum 3 players at a time on the swing. Individual weight maximum of 110lbs.
- On-site, continuous adult supervision is **REQUIRED** for children for all ages. **MOST SERIOUS INJURIES AND DEATHS ON PLAYGROUND EQUIPMENT HAVE OCCURRED WHILE CHILDREN WERE UNSUPERVISED!**

- Children should NOT twist the chains and ropes and should not loop them over the top support bar, this could reduce the strength of the chain or rope.
- Children Not to use the equipment in a manner other than intended
- DO NOT allow children to walk close to, in front of, behind, or between moving swings or other moving playground equipment.
- DO NOT let children stand on swings.
- DO NOT allow children to wear inappropriate items, such as but not limited to, loose fitting clothing, hood and neck drawstrings, scarves, cord-connected items, capes and ponchos. These items can cause death by strangulation.
- DO NOT let Children attach items to the playground equipment that are not specifically designed for use with the equipment, such as, but not limited to, jump ropes, clothesline, pet leashes, cables and chain as they may cause a strangulation hazard.
- Instruct children to remove their bike or other sports helmet before playing on playground equipment.
- Dress children with wellfitting and full foot enclosing footwear. Examples of inappropriate footwear are clogs, flip flops, and sandals.
- NEVER add extra length to chain or rope. The chains or ropes provided are the maximum length designed for the swinging element(s).
- Instruct children NOT to get off equipment while it is in motion.
- DO NOT allow children to crawl on top of a frame or side bar.
- The maximum fall height of the product is 71 inch.

Positioning Your Playcenter

- The playcenter is designed to be installed on a level surface by an adult with an adult helper. Place in a flat area of your yard to minimize ground preparation.
- Choose a level location for the equipment. This can reduce the likelihood of the play set tipping over and loose-! ll surfacing material washing away during heavy rains.
- Place the equipment not less than 6.6 ft (2 m) from any structure or obstruction such as a fence, garage, house, overhanging branches, laundry lines, or electrical wires.
- Provide enough room so that the children can use the equipment safely. For example, for structures with multiple play activities, a slide should not exit in front of a swing.
- It is a good idea to place your playcenter in an area that is convenient for adults to watch children at play.
- Create a site free of obstacles that could cause injuries – such as low overhanging tree branches, overhead wires, tree stumps and/or roots, large rocks, bricks and concrete. Additional suggestions in the Suggested Playground Surfacing Section.
- Do not build your playset on top of surfacing material.
- Locate bare metal platforms and slides out of direct sunlight to reduce the likelihood of serious burns. A slide that faces north will receive the least direct sunlight.
- Separate active and quiet activities from each other. For example, locate sandboxes away from swings or use a guardrail or barrier to separate the sandbox from the movement of the swings.

Suggested Playground Surfacing

- Do not install home playground equipment over concrete, asphalt, packed earth, grass, carpet, or any other hard surface. A fall onto a hard surface can result in serious injury to the equipment user.
- Do not install loose fill surfacing over hard surfaces such as concrete or asphalt.
- Shredded bark mulch, wood chips, fine sand and fine gravel, are added as shock absorbing materials after assembly. If used properly these materials can absorb some of the impact of a child's fall.
- All surface material should extend a minimum of 6ft(1.8m) feet in all directions around the play area.
- Do not apply playground surfacing until after the unit is completely constructed. Playset should not be built on top of surfacing.
- Use containment, such as digging out around the perimeter and/or lining the perimeter with landscape edging.
- Installations of rubber tiles or poured-in-place surfaces (other than loose-fill materials) generally require a professional and are not "do-it-yourself" projects.
- Shall use Playground Surfacing Materials (other than loose-fill material) which comply with the safety standard ASTM F1292 Standard Specification of Impact Attenuation of Surfacing Materials within the Use Zone of Playground Equipment.

The following chart explains the fall height in feet from which a life threatening head injury would not be expected

Critical Heights in feet (m) of Tested Materials

Material	Uncompressed Depth			Compressed Depth
	6" (152mm)	9" (228mm)	12" (304mm)	to 9" (228mm)
Wood Chips	7' (2.13m)	10-12' (3.0-3.6m)	11' (3.35m)	10' (3.05m)
Double-Shredded Bark Mulch	6' (1.83m)	10-12' (3.0-3.6m)	11' (3.35m)	7' (2.13m)
Engineered Wood Fibers	6' (1.83m)	7' (2.13m)	>12' (3.66m)	6' (1.83m)
Fine Sand	5' (1.52m)	5' (1.52m)	9' (2.74m)	5' (1.52m)
Coarse Sand	5' (1.52m)	5' (1.52m)	6' (1.83m)	4' (1.22m)
Fine Gravel	5' (1.52m)	7' (2.13m)	10' (3.05m)	6' (1.83m)
Medium Gravel	5' (1.52m)	5' (1.52m)	6' (1.83m)	5' (1.52m)
Shredded Tires*	10-12' (3.0-3.6m)	N/A	N/A	N/A

*This data is from tests conducted by independent testing laboratories on a 6-inch depth of uncompressed shredded tire samples produced by four manufacturers. The tests reported critical heights, which varied from 10 feet to greater than 12 feet. It is recommended that persons seeking to install shredded tires as a protective surface request test data from the supplier showing the critical height of the material when it was tested in accordance with ASTM F1292.

The following information is from the United States Consumer Product Safety Commission's Information Sheet for playground surfacing material; also see the following website for additional information: www.cpsc.gov

Select Protective Surfacing—One of the most important things you can do to reduce the likelihood of serious head injuries is to install shock-absorbing protective surfacing under and around your play equipment. The protective surfacing should be applied to a depth that is suitable for the equipment height in accordance with ASTM Specification F 1292. There are different types of surfacing to choose from; whichever product you select, follow these guidelines:

Loose-Fill Materials:

Maintain a minimum depth of 9 inches of loose-fill materials such as wood mulch/chips, engineered wood fiber(EWF), or shredded/recycled rubber mulch for equipment up to 8 feet high; and 9 inches of sand or pea gravel for equipment up to 5 feet high. NOTE: An initial fill level of 12 inches will compress to about a 9-inch depth of surfacing overtime. The surfacing will also compact, displace, and settle, and should be periodically refilled to maintain at least a 9-inch depth.

Use a minimum of 6 inches of protective surfacing for play equipment less than 48 in. in height. If maintained properly, this should be adequate. (At depths less than 6 inches, the protective material is too easily displaced or compacted.)

NOTE: Do not install home playground equipment over concrete, asphalt, or any other hard surface. A fall onto a hard surface can result in serious injury to the equipment user.

Grass and dirt are not considered protective surfacing because wear and environmental factors can reduce their shock absorbing effectiveness. Carpeting and thin mats are generally not adequate protective surfacing. Ground level equipment such as a sandbox, activity wall, playhouse or other equipment that has no elevated play surface – does not need any protective surfacing.

Use containment, such as digging out around the perimeter and/or lining the perimeter with landscape edging. Don't forget to account for water drainage.

Check and maintain the depth of the loose-fill surfacing material. To maintain the right amount of loose-fill materials, mark the correct level on play equipment support posts. That way you can easily see when to replenish and/or redistribute the surfacing.

Do not install loose fill surfacing over hard surfaces such as concrete or asphalt.

Poured-In-Place Surfaces or Pre-Manufactured Rubber Tiles — You may be interested in using surfacing other than loose-fill materials – like rubber tiles or poured-in-place surfaces.

Installations of these surfaces generally require a professional and are not “do-it-yourself” projects.

Review surface specifications before purchasing this type of surfacing. Ask the installer/manufacturer for a report showing that the product has been tested to the following safety standard: ASTM F 1292 Standard Specification for Impact Attenuation of Surfacing Materials within the Use Zone of Playground Equipment. This report should show the specific height for which the surface is intended to protect against serious head injury. This height should be equal to or greater than the fall height – vertical distance between a designated play surface (elevated surface for standing, sitting, or climbing) and the protective surfacing below – of your play equipment

Check the protective surfacing frequently for wear.

Placement — Proper placement and maintenance of protective surfacing is essential. Be sure to:

Extend surfacing at least 72 in. from the equipment in all directions.

For to-fro swings, extend protective surfacing in front of and behind the swing to a distance equal to twice the height of the top bar from which the swing is suspended.

For Tire swings, extend surfacing in a circle whose radius is equal to the height of the suspending chain or rope, plus 6 ft in all directions.

MAINTENANCE INSTRUCTIONS

- IT IS IMPORTANT TO CHECK AND TIGHTEN ALL HARDWARE AT THE BEGINNING AND DURING THE SEASON, otherwise the equipment may overturn and/or become a hazard.
- Do not expose the swing to the weather during longer periods of rain and in autumn / winter.
- Always replace defective parts with original spares.

At the beginning of each play season

- Tighten all hardware.
- Lubricate all metallic moving parts.
- Check all protective coverings on bolts, pipes, edges and corners. Please replace in time if they are loose, cracked or missing.
- Check all moving parts including ropes, swing seats, cables and chains for wear, rust or other deterioration.
- Check metal parts for rust. If found, sand and repaint using a nonlead-based paint meeting the requirements of 16 CFR 1303.
- Reinstall any plastic parts, such as swing seats or any other items that were removed for the cold season.
- Rake and check depth of loose fill protective surfacing materials to prevent compaction and to maintain appropriate depth. Replace as necessary.

Twice a month during play season

- Tighten all hardware.
- Check all protective coverings on bolts, pipes, edges and corners. Please replace in time if they are loose, cracked or missing.
- Rake and check depth of loose fill protective surfacing materials to prevent compaction and to maintain appropriate depth. Replace as necessary.

Once a month during play season

- Lubricate all metallic moving parts.
- Check all moving parts including ropes, swing seats, cables and chains for wear, rust or other deterioration.

At the end of each play season or when the temperature drops below 32°F

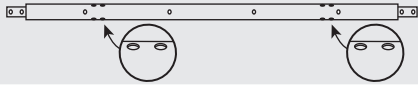
- Remove plastic swing seats and other items and take them indoors or do not use.
- Rake and check depth of loose fill protective surfacing materials to prevent compaction and maintain appropriate depth. Replace as necessary.
- Owners shall be responsible for maintaining the legibility of the warning labels.
- Disposal Instructions—There shall be instructions advising the owner to disassemble and dispose of the playground equipment in such a way that no unreasonable hazards will exist at the time the playground equipment is discarded.



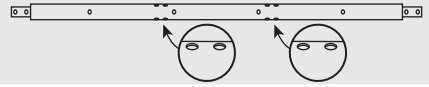
CAREFULLY FOLLOW ALL DIRECTIONS.
Scan the QR code to watch the installation guide.

III Parts List

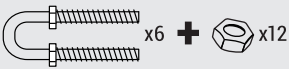
A1 Top Bar x1



A2 Top Bar x1



A3 U-bolt + nut



x6

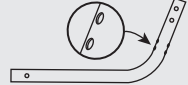


x12

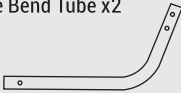
B Monkey Bar x6



C1 Side Bend Tube x2



C2 Side Bend Tube x2



D Leg Tube x4



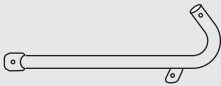
E Mounting Plate x8



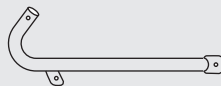
F1 Inclined Support Bar x4



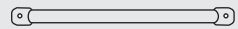
F2 Ground Support Bar x2



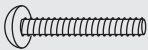
F3 Ground Support Bar x2



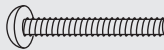
G Ladder Step x8



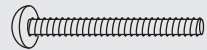
H1 Bolt M8*58mm x16



H2 Bolt M8*55mm x20



H3 Bolt M8*62mm x8



H4 Bolt M8*35mm x4



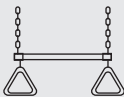
H5 Washer x76



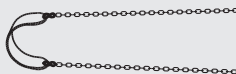
H6 Cap Nut x48



I Trapeze Bar Swing x1



J Belt Swing x2



K1 Drive Rod x1



K2 Spiral Stake x8



L Carabiner x6



M Wrench

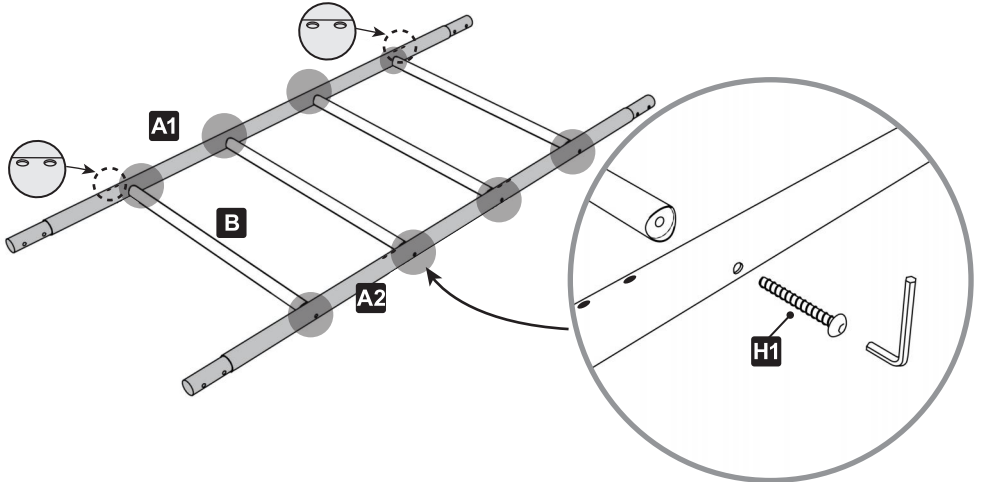


Assembly Instructions

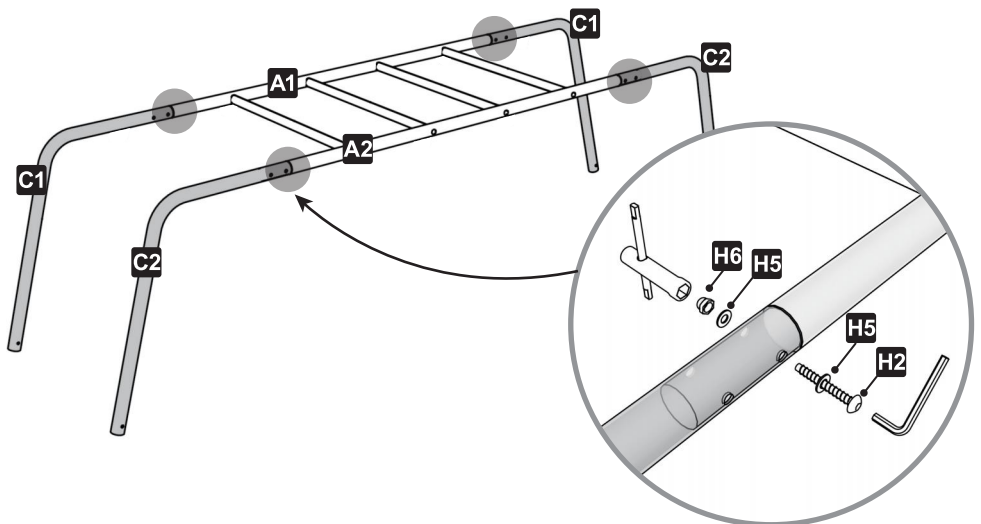
NOTE:

- For ease of assembly, please do not tighten the bolts all the way initially to allow room for adjustment. Please fully tighten all bolts after the entire play set is assembled.
- One person should hold it steady during installation to prevent it from tipping over and causing injury.

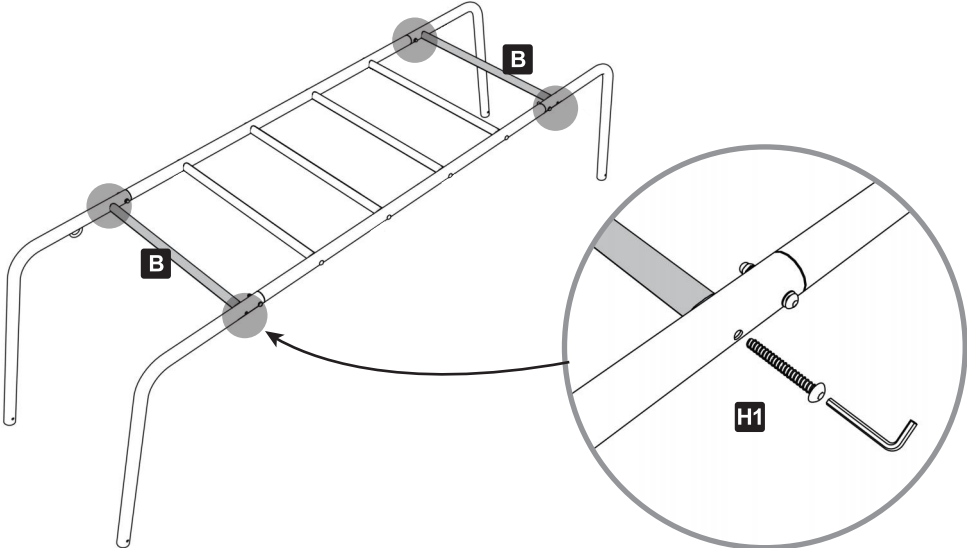
Step 1: Connect four B monkey bars to A1 & A2 top bars and secure with the H1 bolts.



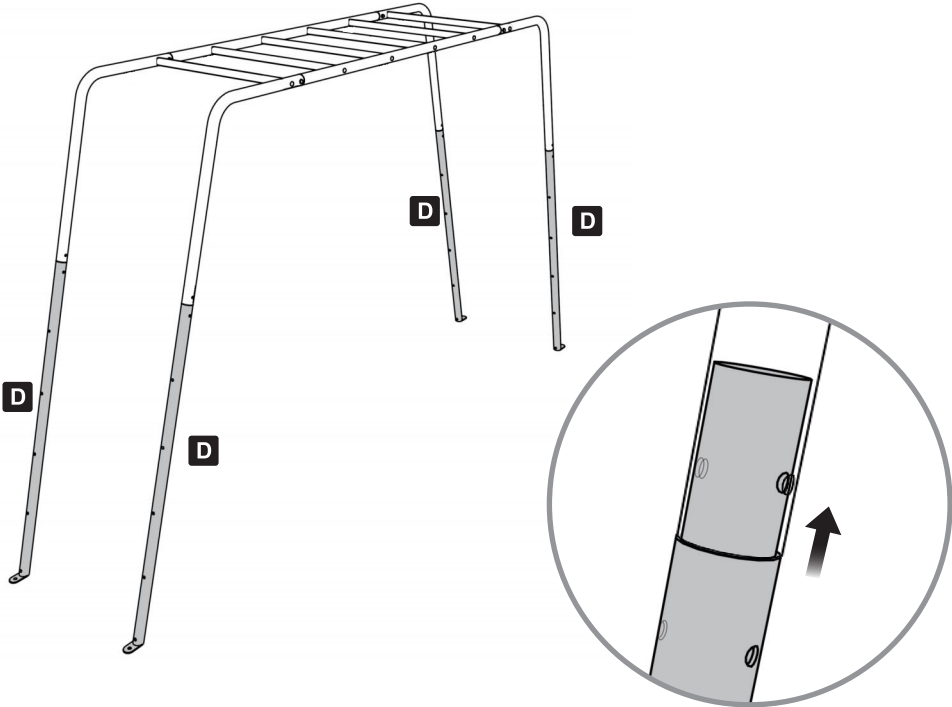
Step 2: Attach the short side of two C1 side bend tubes to A1 top bars, and attach the short side of two C2 side bend tubes to A2 top bars. Align the inner screw holes and secure with H2 bolts, H5 washers and H6 cap nuts. (Note: When installing, please ensure that the position of the hanging ears matches the illustration.)



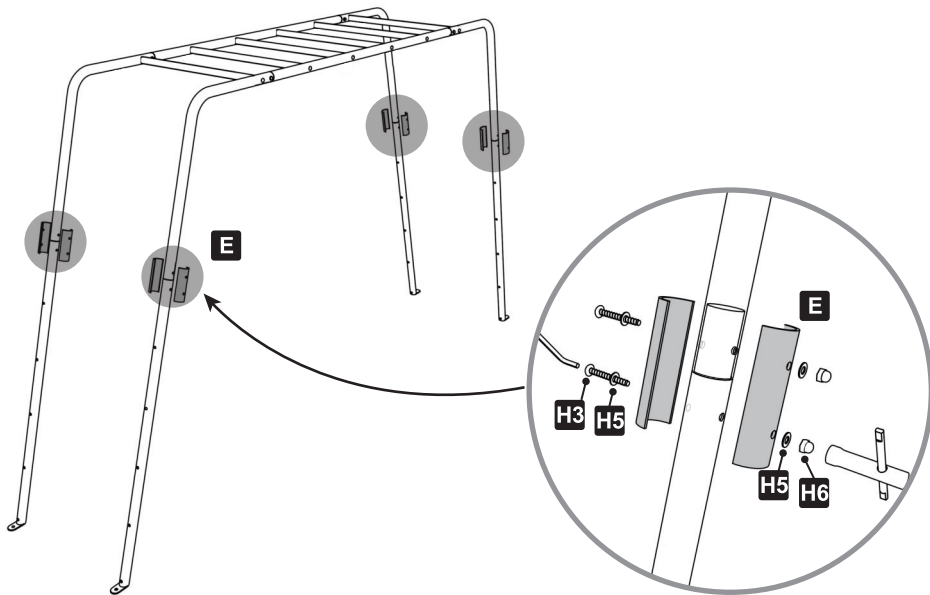
Step 3: Attach the remaining two B monkey bars to the outer screw holes and secure with H1 bolts.



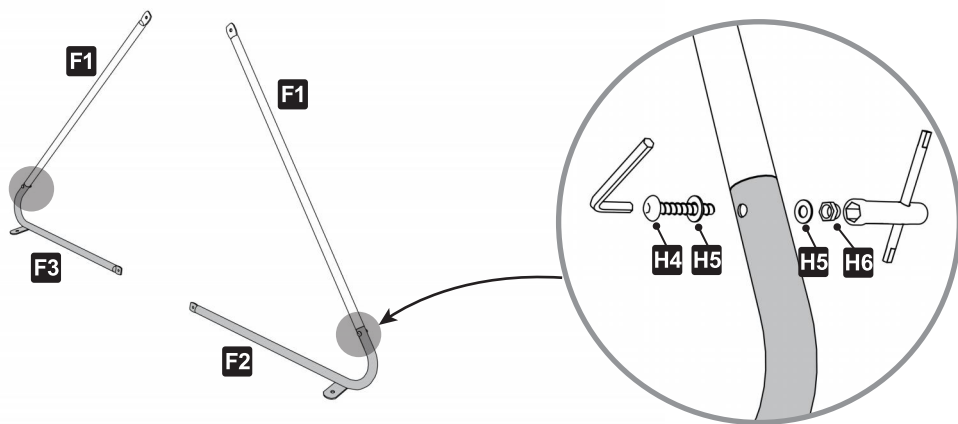
Step 4: Insert four D leg tubes into the finished part above with the foot mat facing outward.



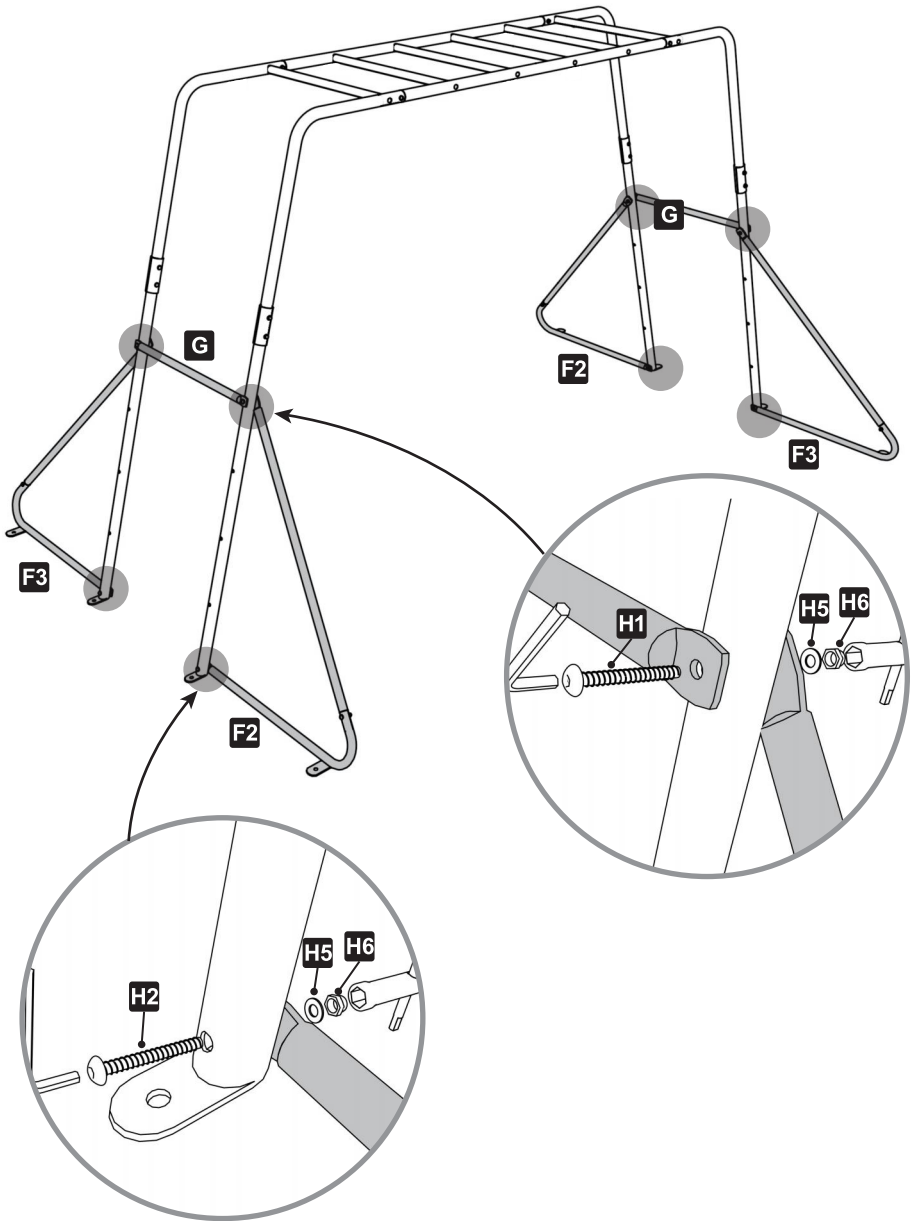
Step 5: Attach the E mounting plates to the joints and secure with H3 bolts, H5 washers, and H6 cap nuts.



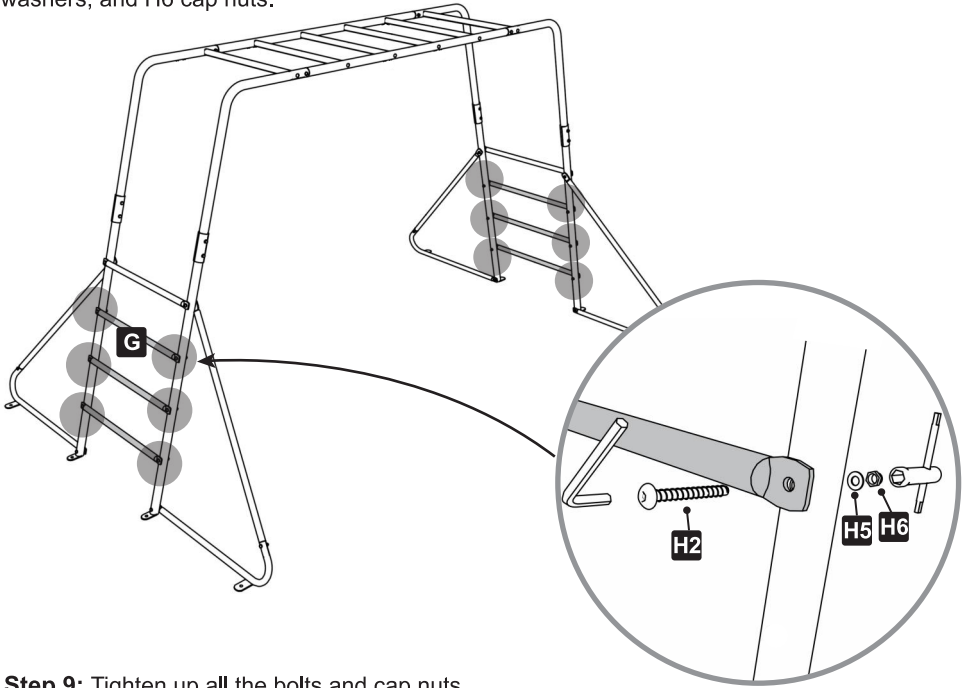
Step 6: Connect F1 inclined support bars to F2,F3 ground support bars and secure them with H4 bolts, H5 washers, and H6 cap nuts.



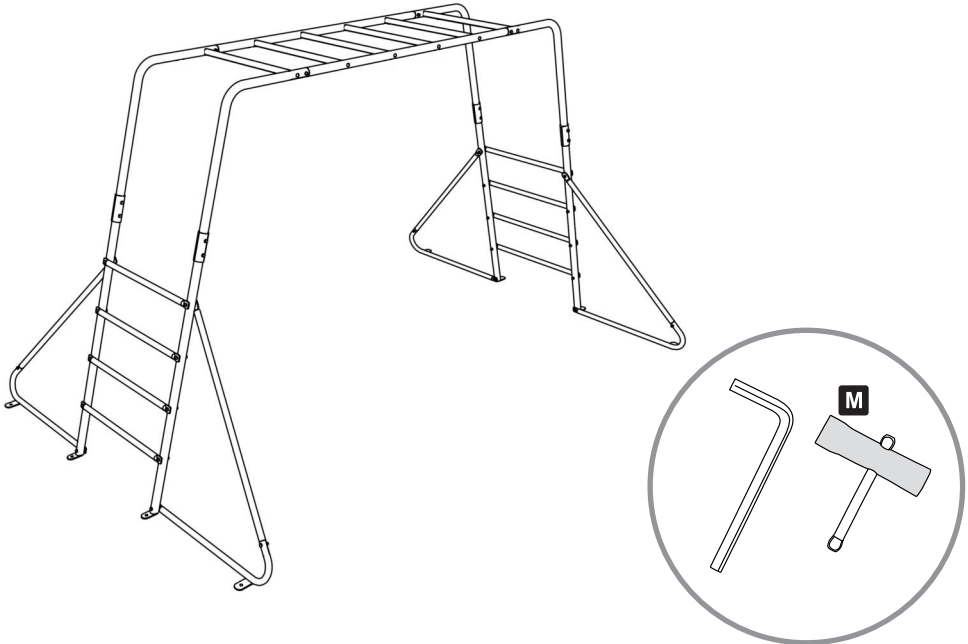
Step 7: Attach the assembled side support to the play set. (Note: the side support must be installed on the inside of the play set with the foot mat facing outward)
In the first hole position, secure with G Ladder Step, H1 bolts, H5 washers, and H6 cap nuts.
In the last hole position, secure with H2 bolts, H5 washers, and H6 cap nuts.



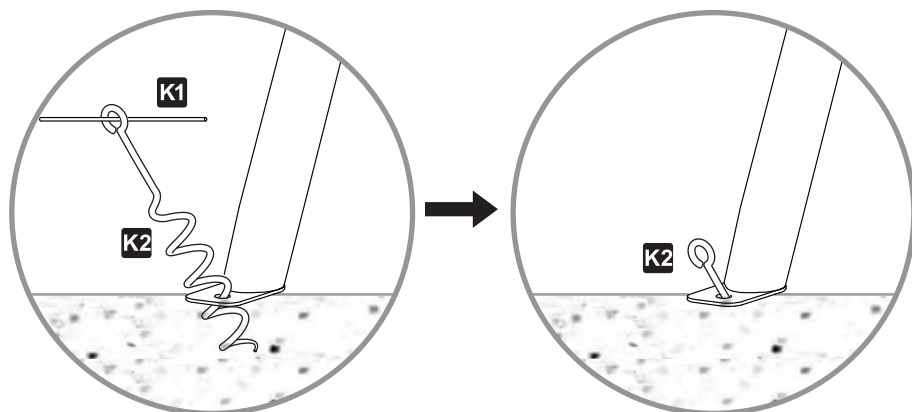
Step 8: Install G ladder steps in the remaining positions, and secure with H2 bolts, H5 washers, and H6 cap nuts.



Step 9: Tighten up all the bolts and cap nuts.



Step 10: Use K1 drive rod to screw K2 spiral stakes into the ground with an angel of 45 degree at the spot shown in the figure to secure the play set.



Step 11: Install the crossbar U-shaped lug screws and tighten them with a wrench, as shown in the illustration. Then Connect L Carabiners to I trapeze bar swing and J belt swings, and attach the swings to the hangers.

