

STEP 11

ASSEMBLED UNIT

6 SQUARE LEG 4 PCS

3 SMALL SCREW 12 PCS

TOOL REQUIRED

ASSEMBLED UNIT

STEP 13

TURN 180°

ASSEMBLED UNIT

STEP 12

BIN 1 PC

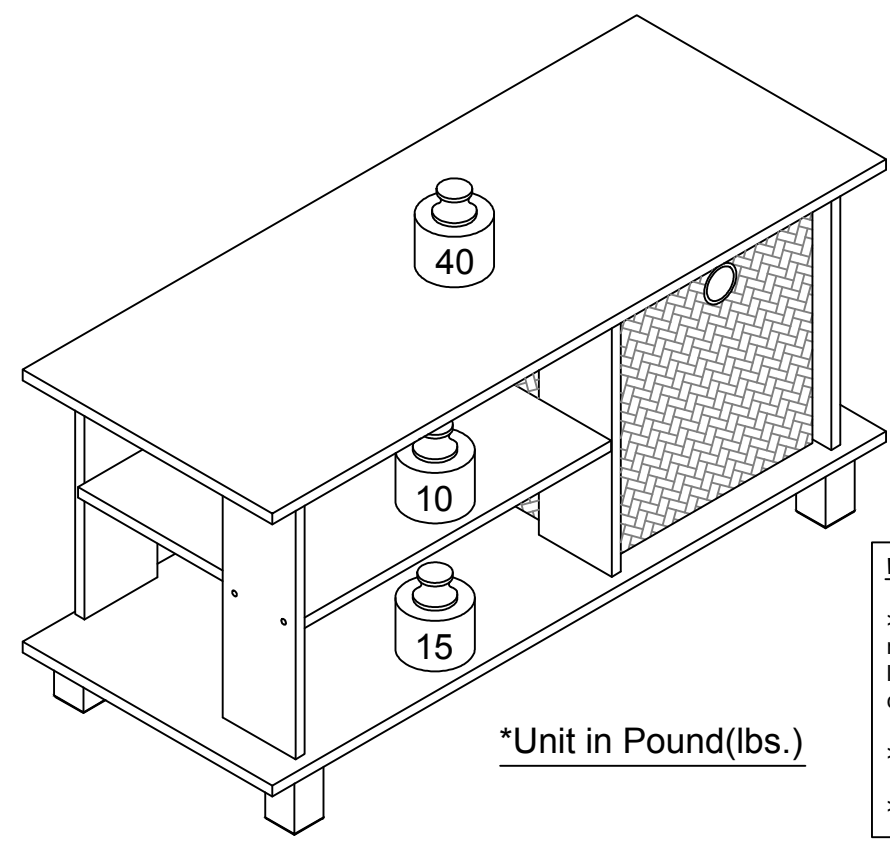
ASSEMBLED UNIT

ASSEMBLED UNIT

STEP 14

ASSEMBLED UNIT

Recommended Maximum Weight



WARNING:

- >This unit has been designed to support the maximum loads shown. Exceeding these load limits could cause sagging, instability, product collapse, and/or serious injury.
- >DO NOT allow children to climb on unit.
- > Put heavier items on lower shelves.

Assembly Instruction

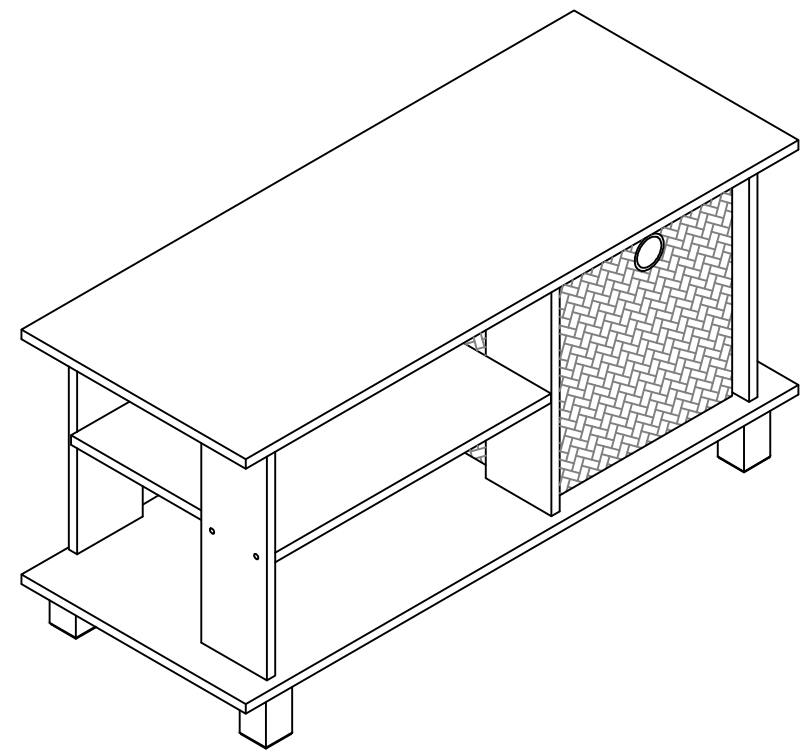
Simplistic Entertainment Center
with Bin Drawers

00:30

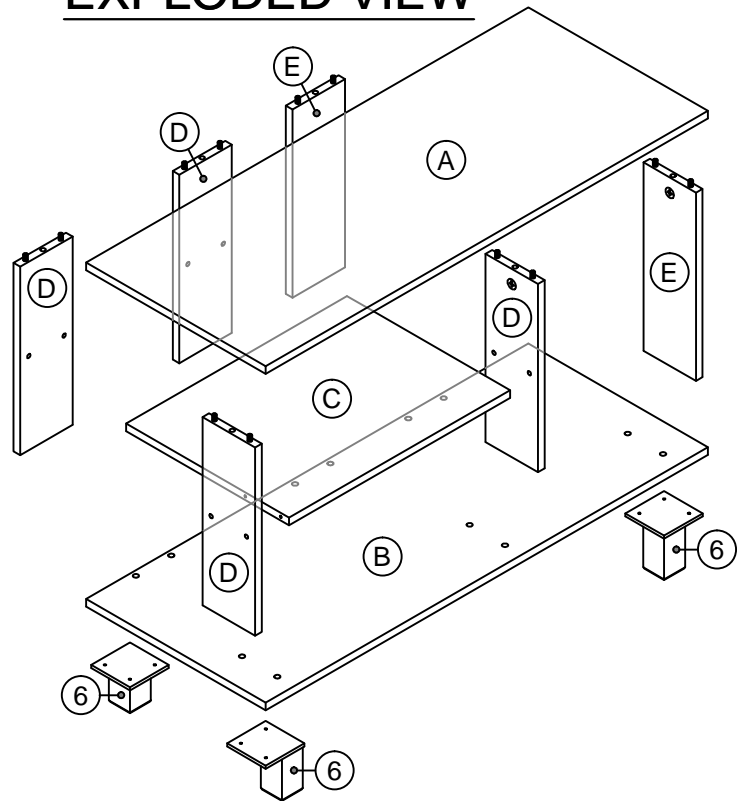
Approx. 30 minutes

Recomm. 1 Person

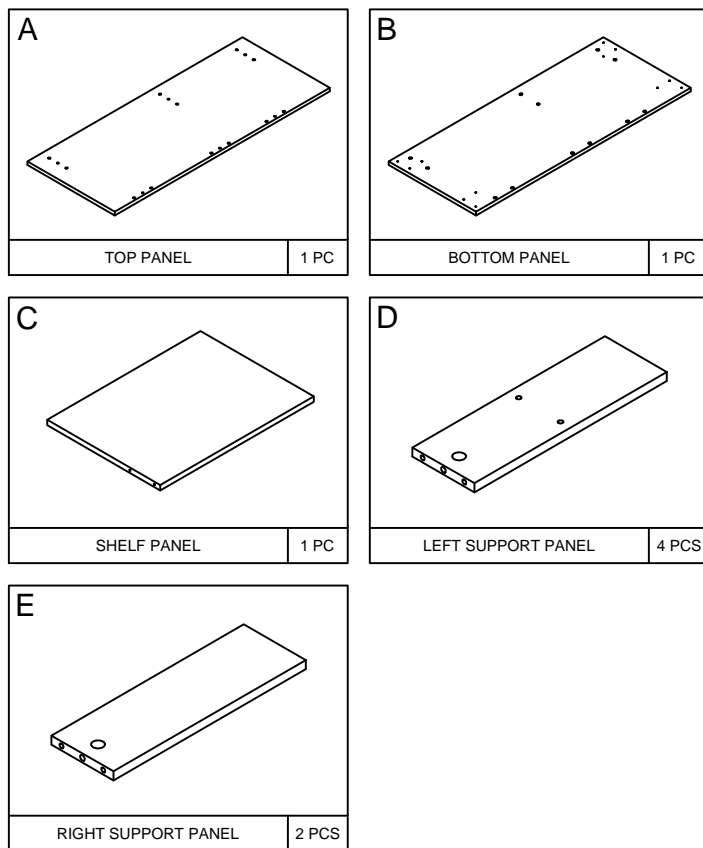
Tool Required



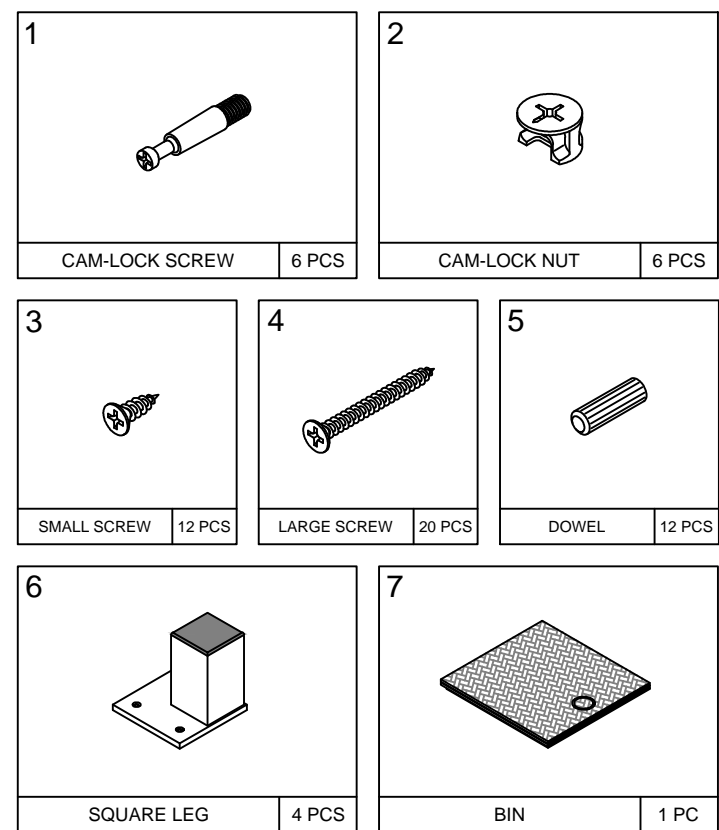
EXPLODED VIEW



PARTS LIST



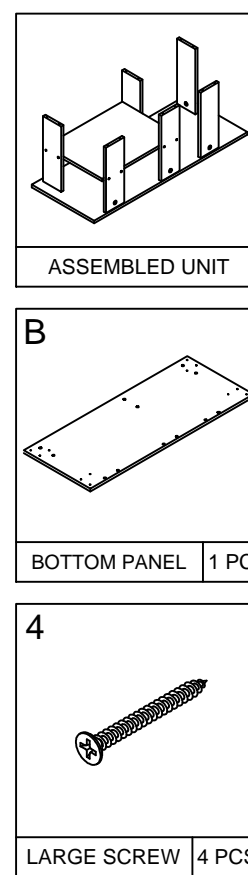
HARDWARE LIST



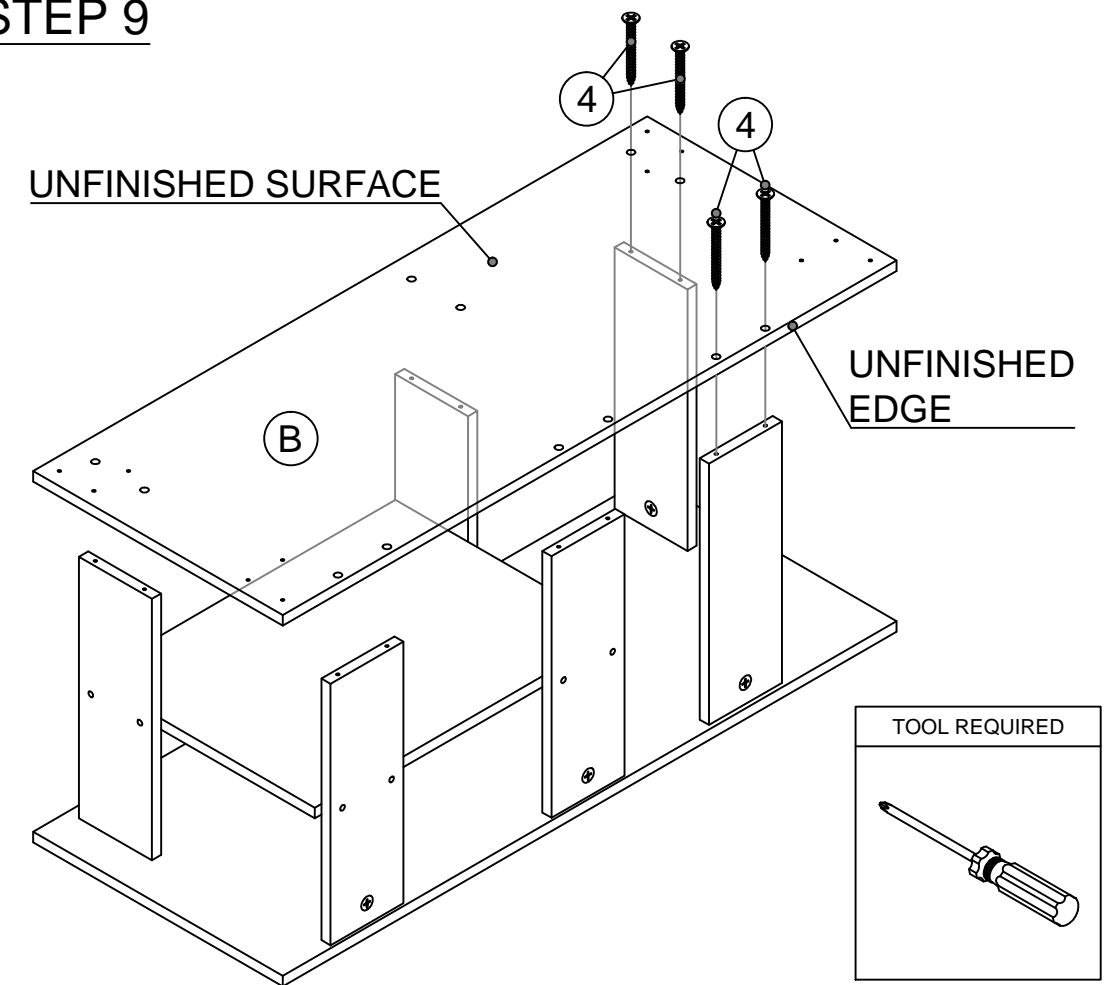
USEFUL HINTS BEFORE YOU START:

1. Read each step carefully before starting.
2. It is important that each step is performed in correct order to avoid difficulties.
3. Identify, soft and count the parts before assembly.
4. Assemble your furniture on packaging cardboard to prevent scratch or damage.
5. Clean the product with mild cleanser using soft damped cloth. Do not use harsh or abrasive cleanser.
6. Using incompatible hardware might cause damage to product.

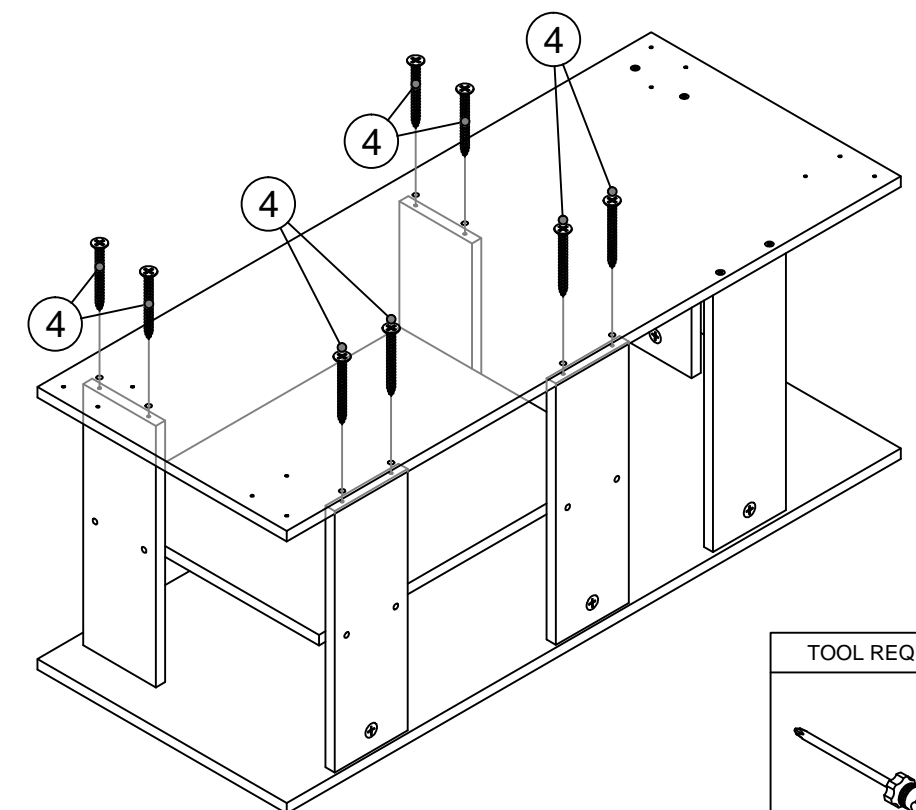
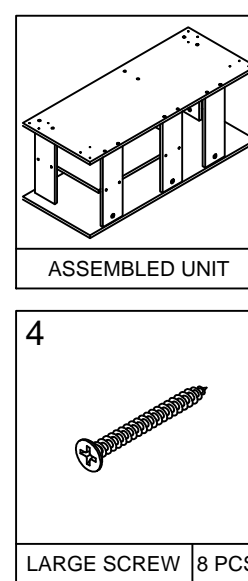
STEP 9

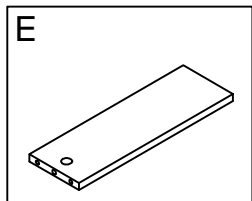


UNFINISHED SURFACE

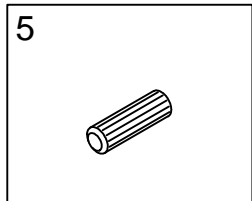


STEP 10

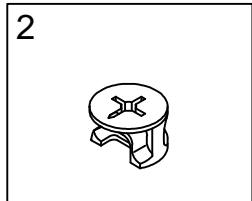




RIGHT SUPPORT PANEL | 2 PCS

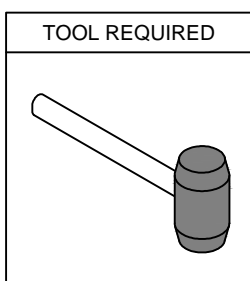
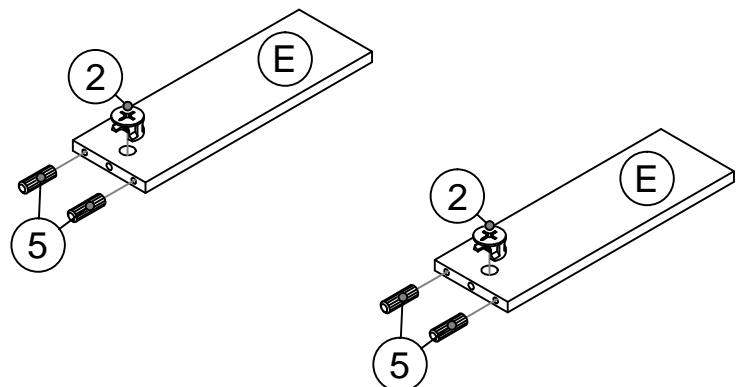


DOWEL | 4 PCS

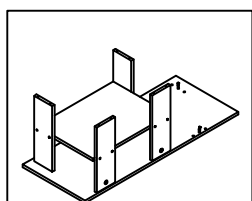


CAM-LOCK NUT | 2 PCS

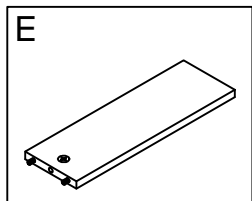
STEP 7



TOOL REQUIRED

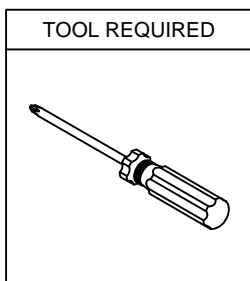
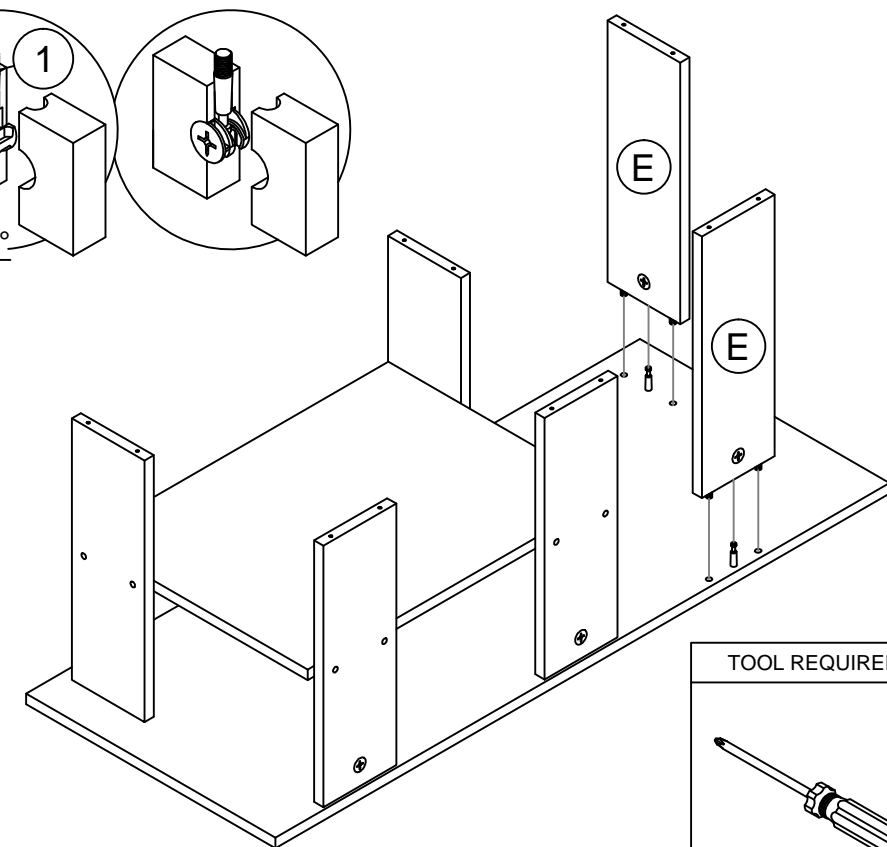
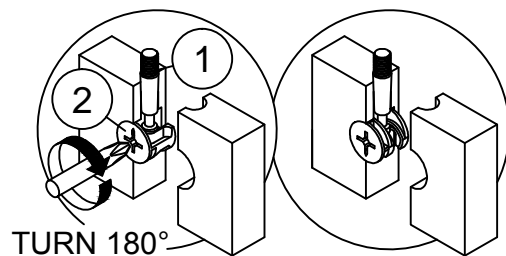


ASSEMBLED UNIT

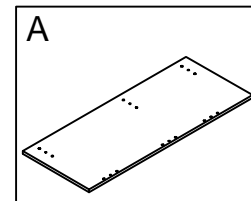


RIGHT SUPPORT PANEL | 2 PCS

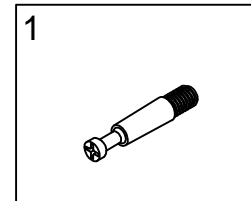
STEP 8



TOOL REQUIRED

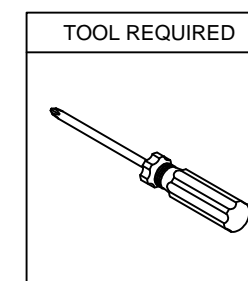
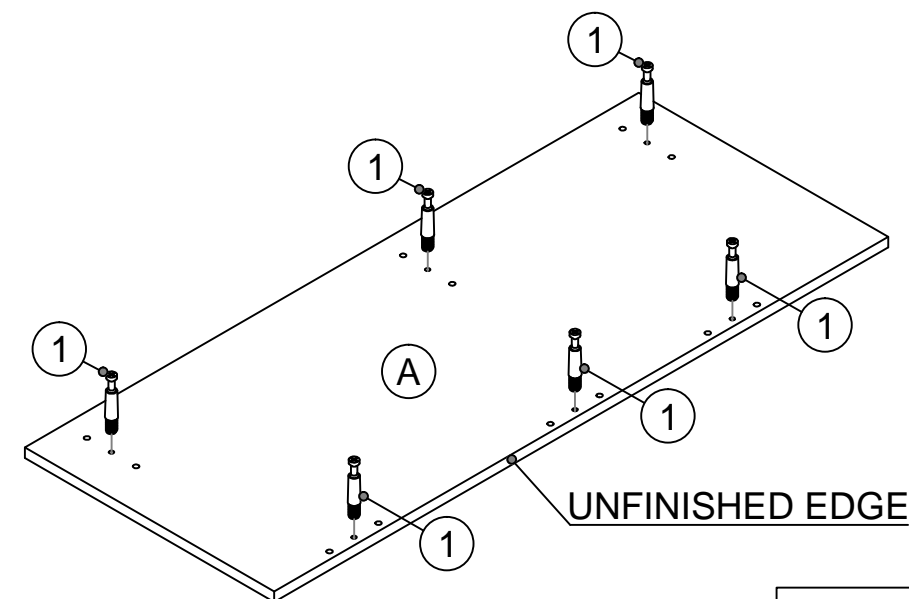


TOP PANEL | 1 PC

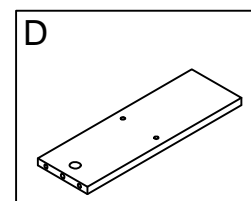


CAM-LOCK SCREW | 6 PCS

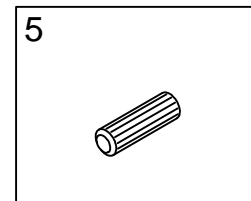
STEP 1



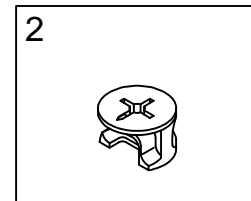
TOOL REQUIRED



LEFT SUPPORT PANEL | 4 PCS

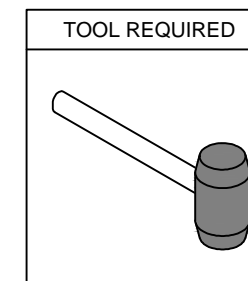
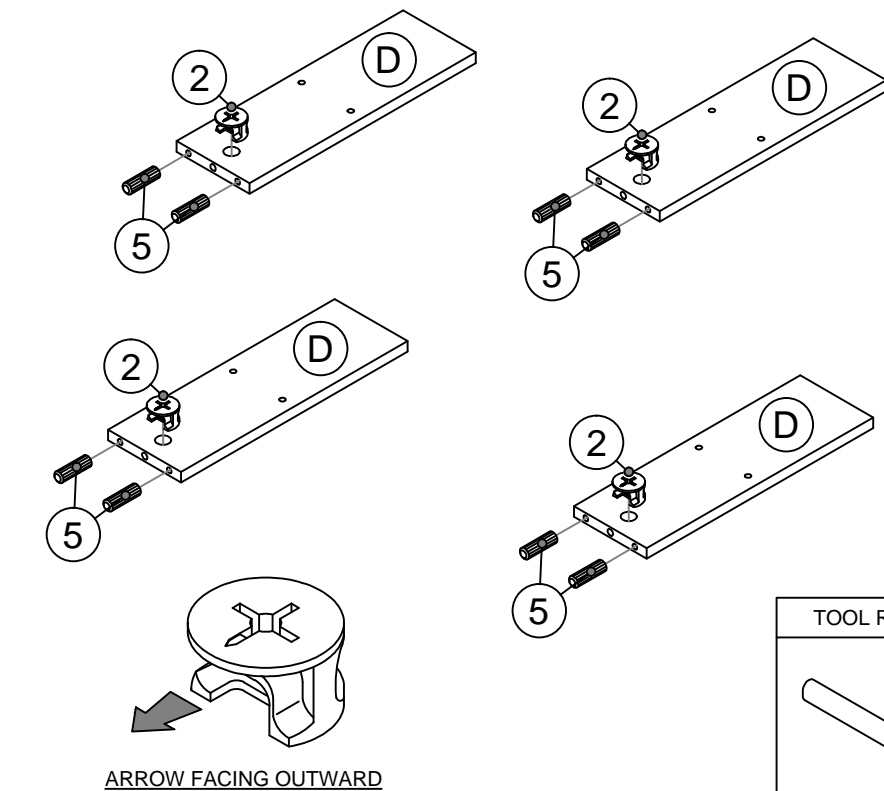


DOWEL | 8 PCS

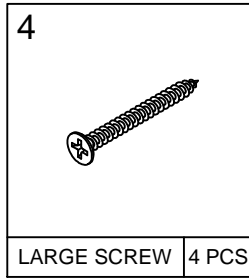
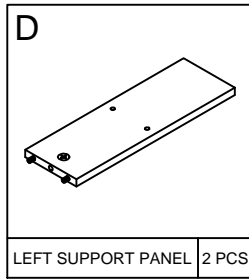
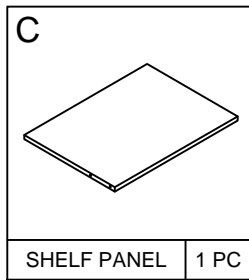


CAM-LOCK NUT | 4 PCS

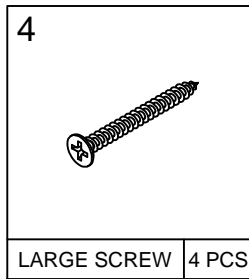
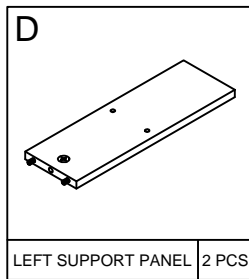
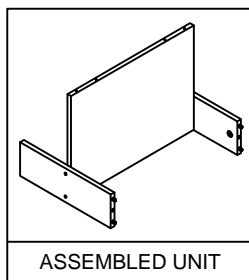
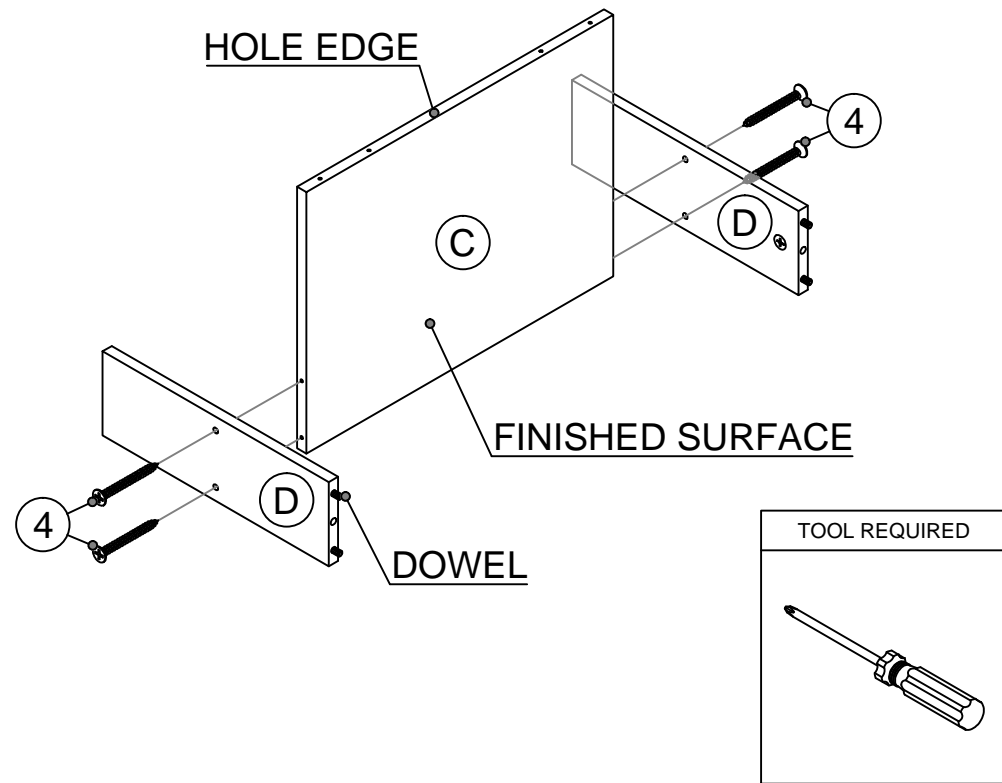
STEP 2



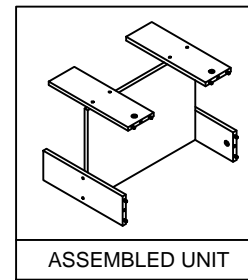
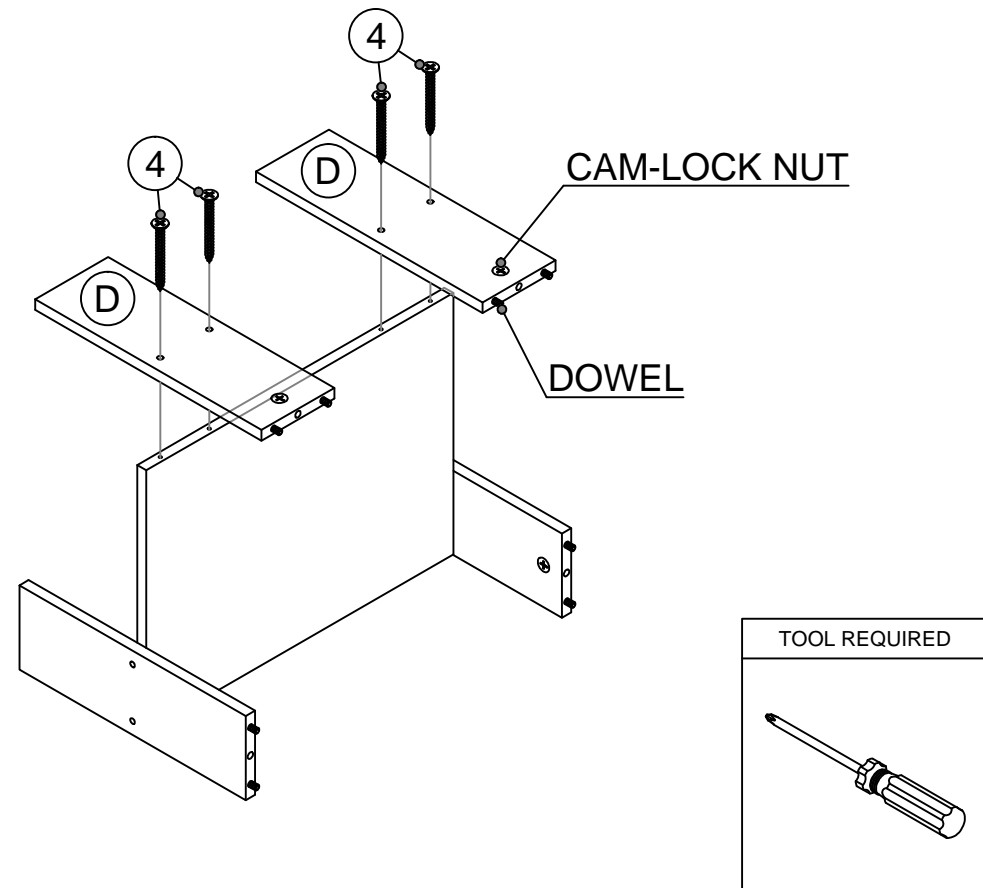
TOOL REQUIRED



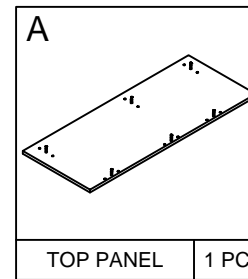
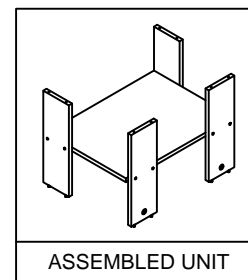
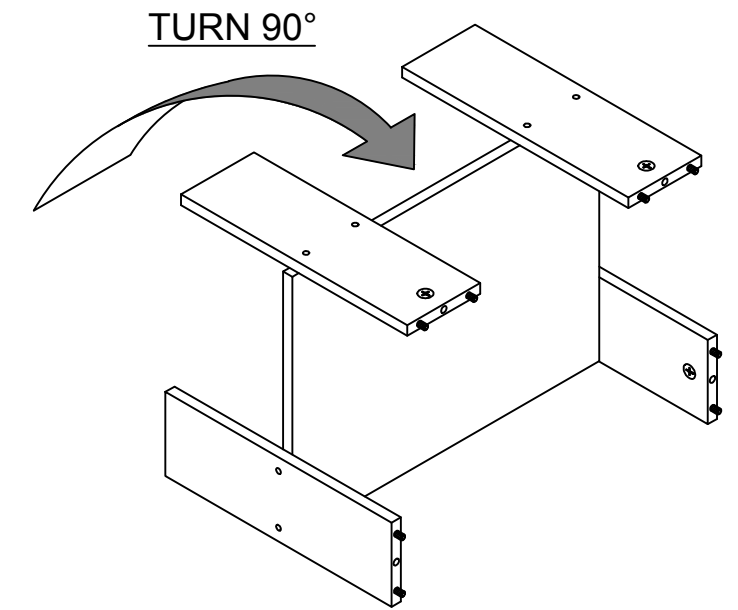
STEP 3



STEP 4



STEP 5



STEP 6

