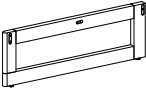
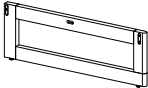
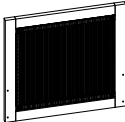

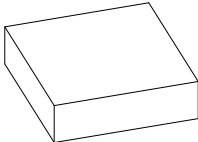
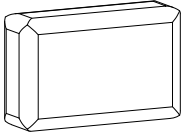



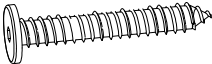
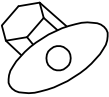

Hello! Please read these important attentions...

Please put a thick carpet on the ground to protect the furniture finish and corners. During the installation process, **DON' T** fasten screws tight 100% at a time.

ASSEMBLY INSTRUCTIONS

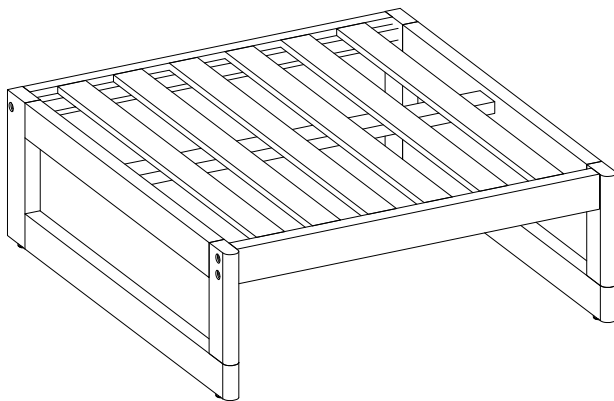
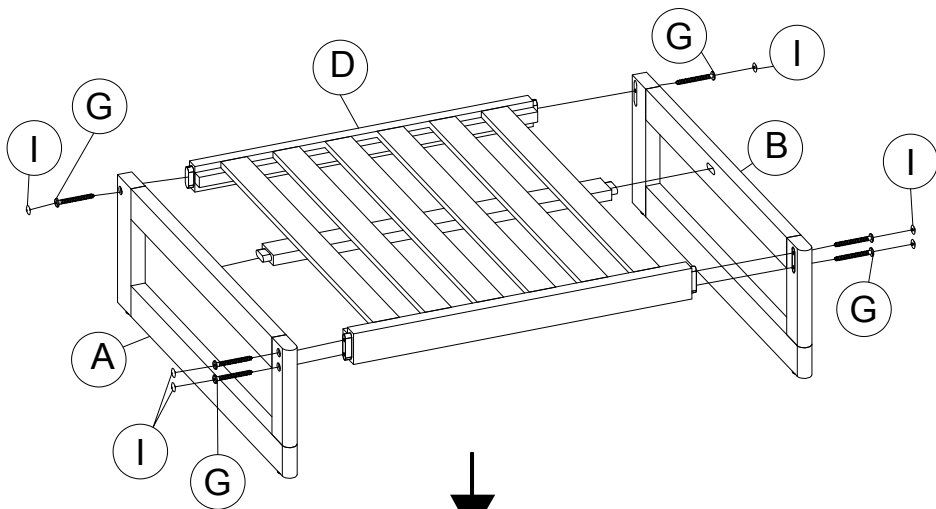
NUMBER	COMPONENT	QUANTITY
A	 <p>LEG FRAME 1</p>	1PC
B	 <p>LEG FRAME 2</p>	1PC
C	 <p>LEG FRAME 3</p>	1PC
D	 <p>SEAT</p>	1PC
E	 <p>SEAT CUSHION</p>	1PC
F	 <p>BACKREST CUSHION</p>	1PC
G	 <p>SCREW M7x70MM</p>	6PCS

ASSEMBLY INSTRUCTIONS

NUMBER	COMPONENT	QUANTITY
H	 <p data-bbox="613 435 773 454">SCREW M7X50MM</p>	4PCS
I	 <p data-bbox="613 624 722 643">PLASTIC LID</p>	10PCS
J	 <p data-bbox="613 815 641 834">M4</p>	1PC

ASSEMBLY INSTRUCTIONS

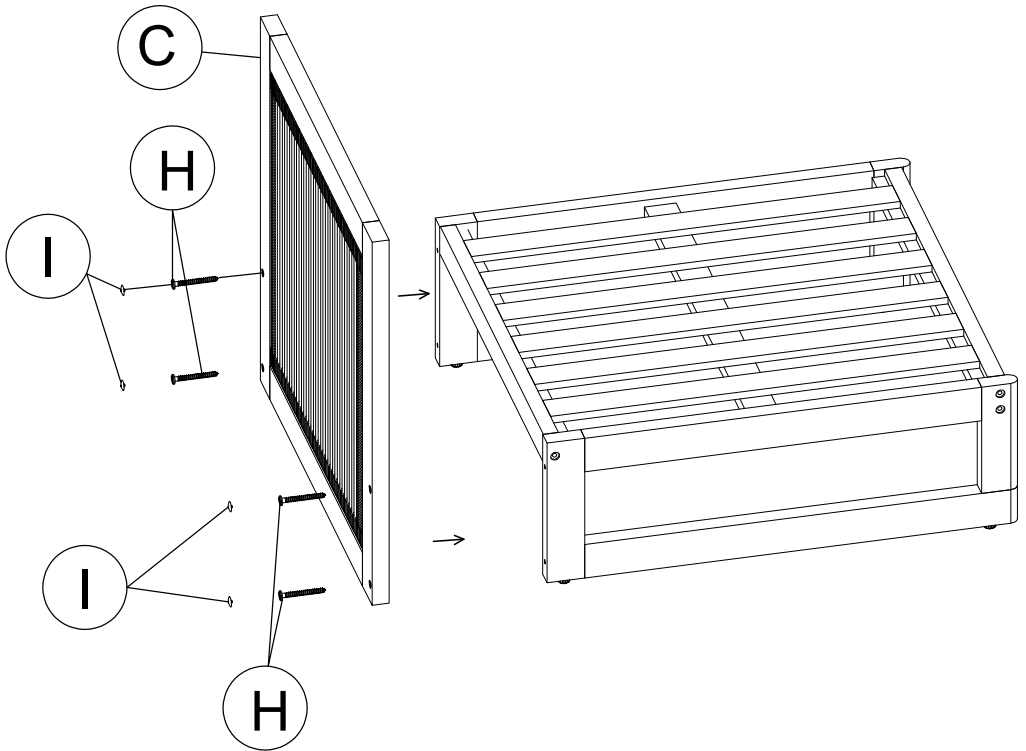
1



Use the Screws (G) to connect with the Leg Frame 1 (A) and Leg Frame 2 (B) to the seat (D) together then use the Plastic Lid (I) to cover the screw heads.

ASSEMBLY INSTRUCTIONS

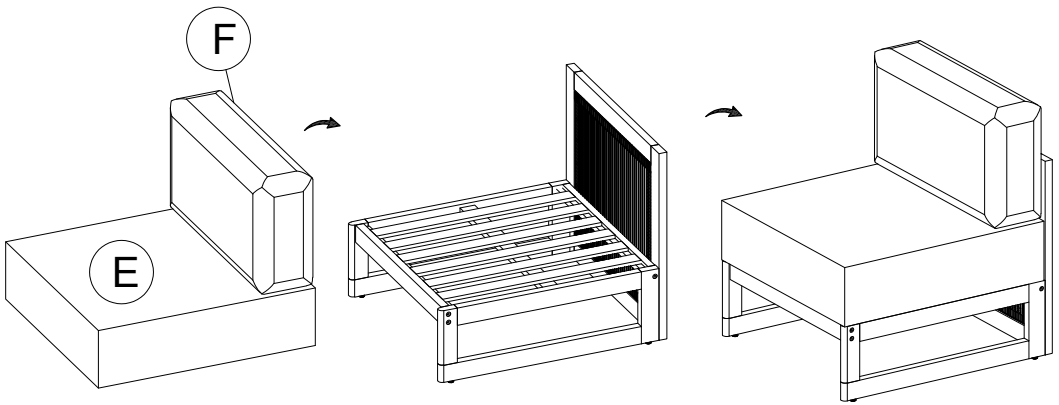
2



Use the screws (H) to connect with the Leg Frame 3 (C) to them together then use the plastic lid (I) cover .

ASSEMBLY INSTRUCTIONS

3



Put the Back and Seat Cushion on the Sofa.

ASSEMBLY INSTRUCTIONS

4

