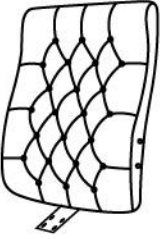
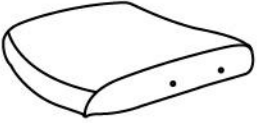

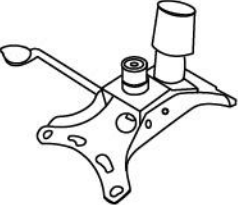
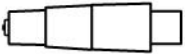
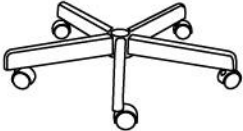
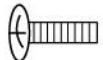




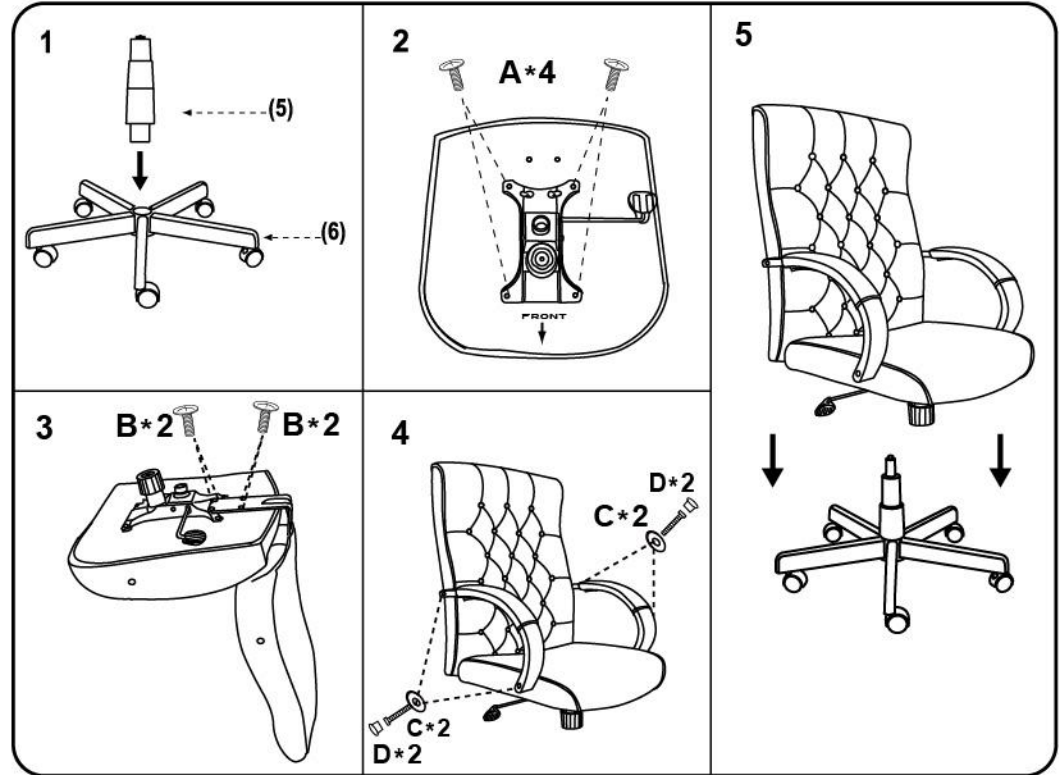


**IMPORTANT NOTICE:  
HARDWARE PACKAGE IS ATTACHED ON THE BOTTOM  
OF SEAT CUSHION.**

(1)x1  Back Cushion	(2)x1  Seat Cushion	(3)x1 (L)x1 (R)  Left Arm & Right Arm
(4)x1  Mechanism	(5)x1  Gas Lift W/ Cover	(6)x1  Base
(A)X4  M8*22 MECHANISM SCREW	(B)X4  M6*30 L-BAR SCREW	(C)X4  M6*55 ARM SCREW
(D)X4  WOOD CAP	(E)X1  ALLEN KEY	



**Insert and loosely tighten all screws. When assembly is completed, fully tighten all screws before using. This chair is only intended for sitting. Any other use will void the warranty.**

