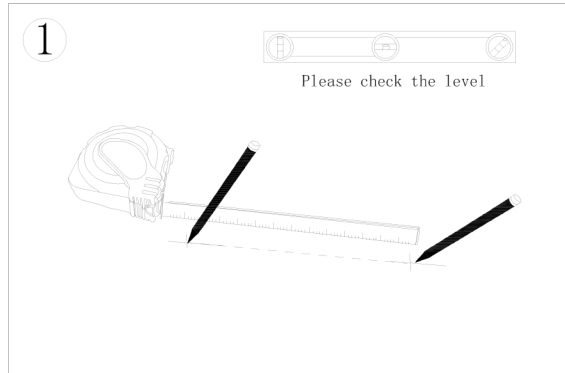
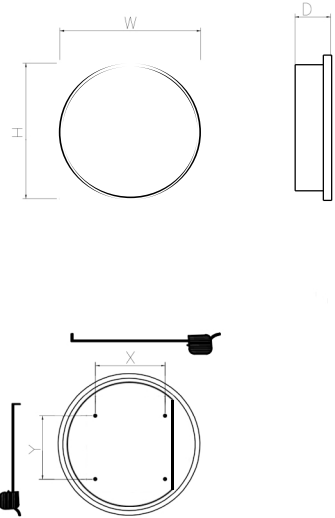
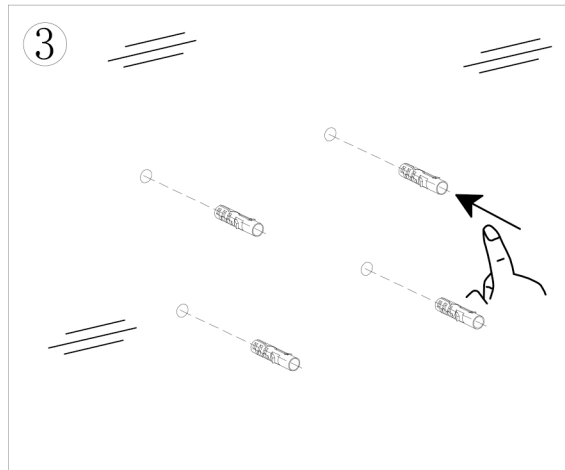


# Surface Mount

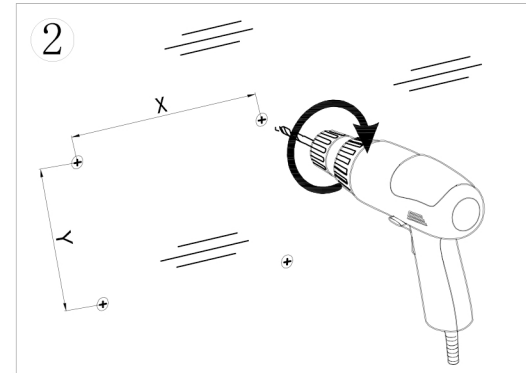
1) Before installation, please measure the actual dimensions on both sides of the X/Y image on the left. The wall opening size should be larger than the actual measured product size.



2. Insert the wall plugs.  
Note: Wall plugs supplied are only suitable for solid stone/brick walls. Please ensure the screws are fully tight.



2. Mark the desired height and Width (X & Y) of the mirror. Drill the required holes.



4. Hang the mirror onto the wall.

