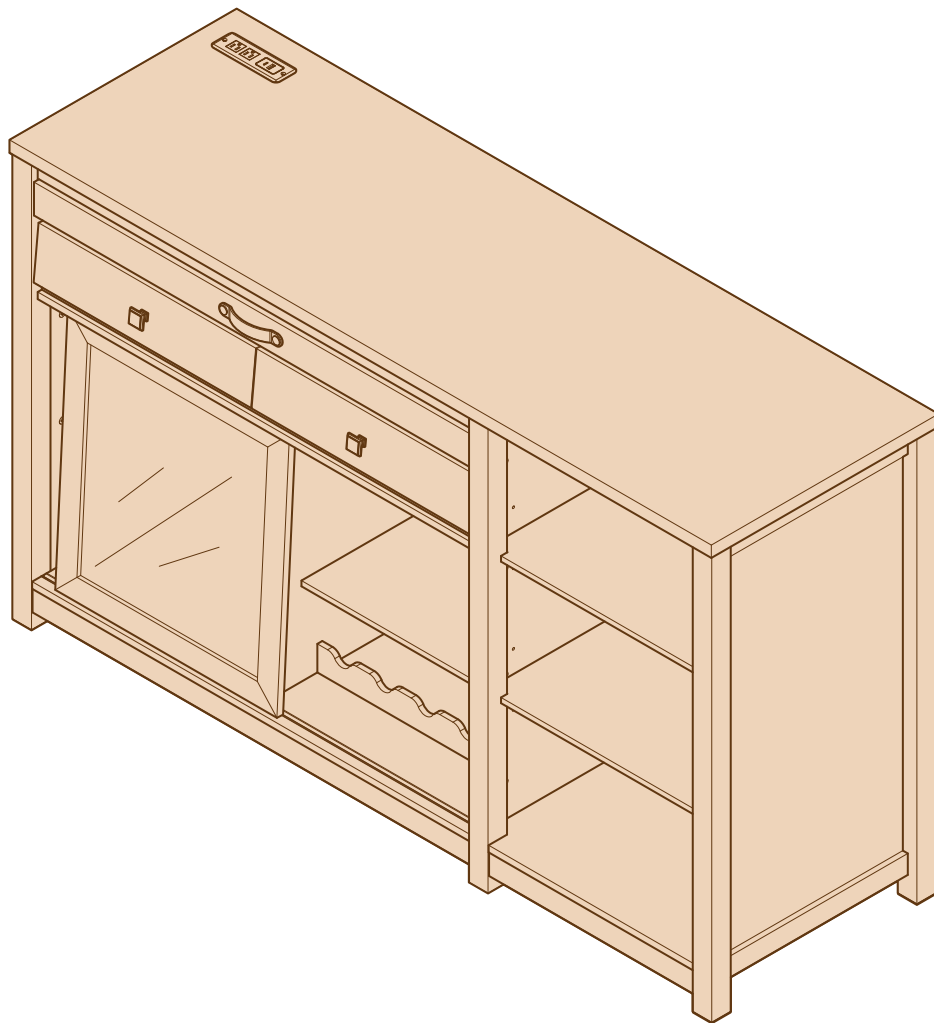


 **STO'SENSE** 

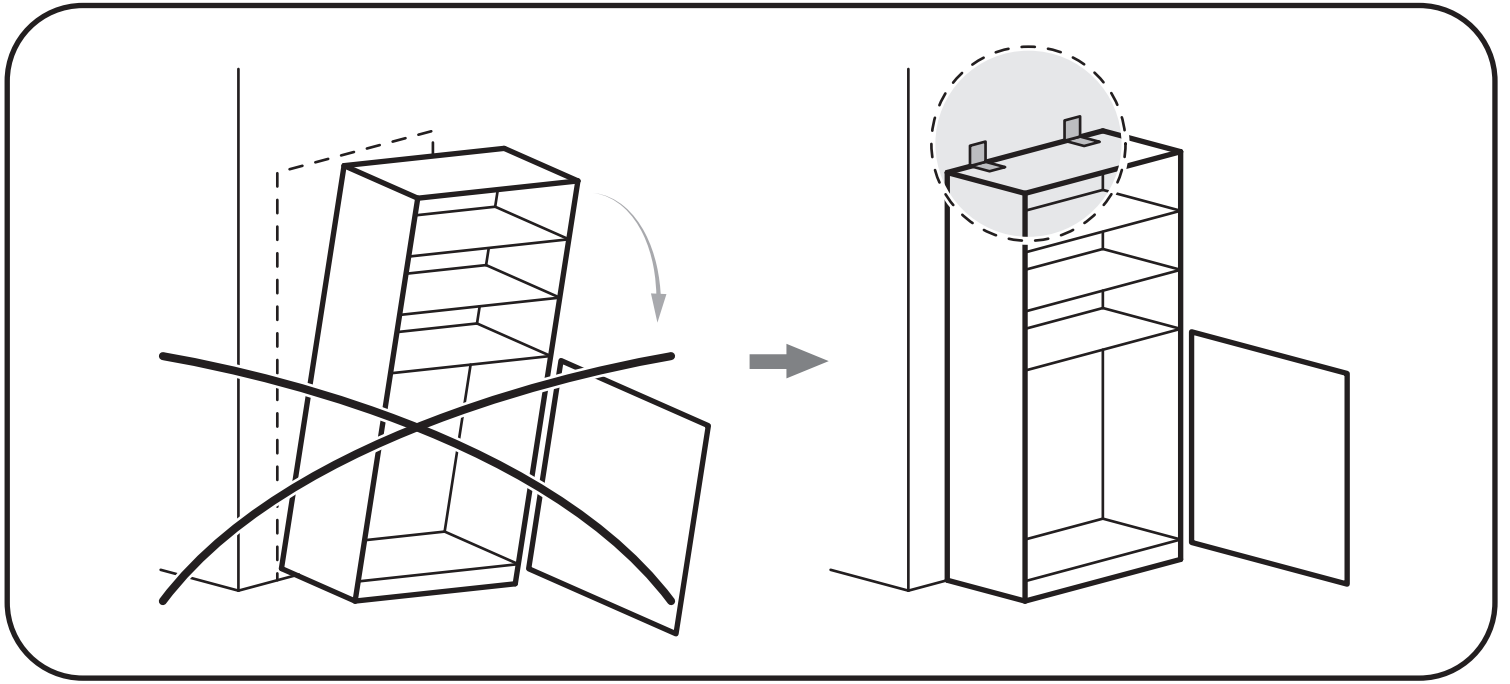


Lore Bar Cabinet

Instruction Manual

1

**CRITICAL INTERDEPENDENCY -
THIS IS BOX #1, REQUIRES BOX #2 FOR ASSEMBLY**



WARNING!

Serious or fatal crushing injuries can occur from furniture tip over. To prevent tip over this furniture must be used with the wall attachment device(s) provided.

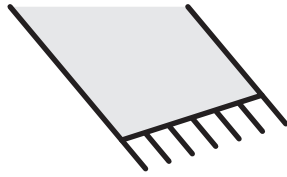
IMPORTANT SAFETY INSTRUCTIONS

- **DO NOT** climb or sit on the furniture to avoid tipping over and potential injury.
- **DO NOT** allow children to climb on the drawers.
- **DO NOT** open more than one drawer at the same time.
- **DO NOT** place heavy objects on the top (include TV).
- Avoid direct sunlight to prevent discoloration or cracking.
- Keep small hardware parts out of reach of children to avoid accidental swallowing.
- Stay away from fire and heat sources to prevent deformation or burning.
- Protect the furniture from humid environments; keep it dry for long-lasting use.

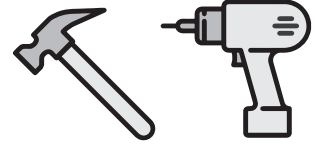
What we recommend



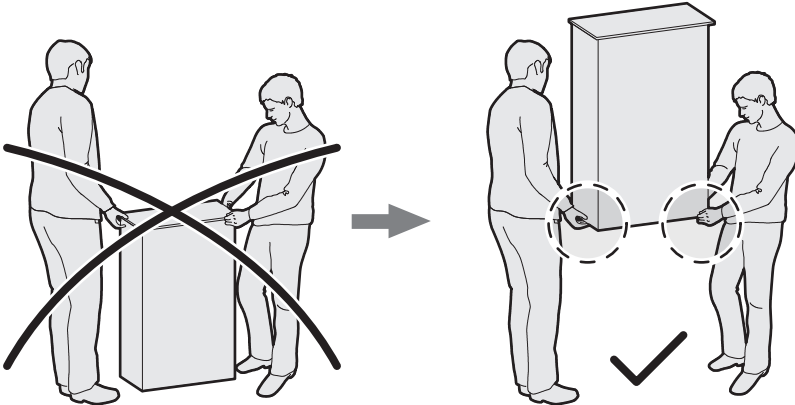
**Assemble with
two people or more**



**Install on
soft flooring**



**Required tools
(not included)**



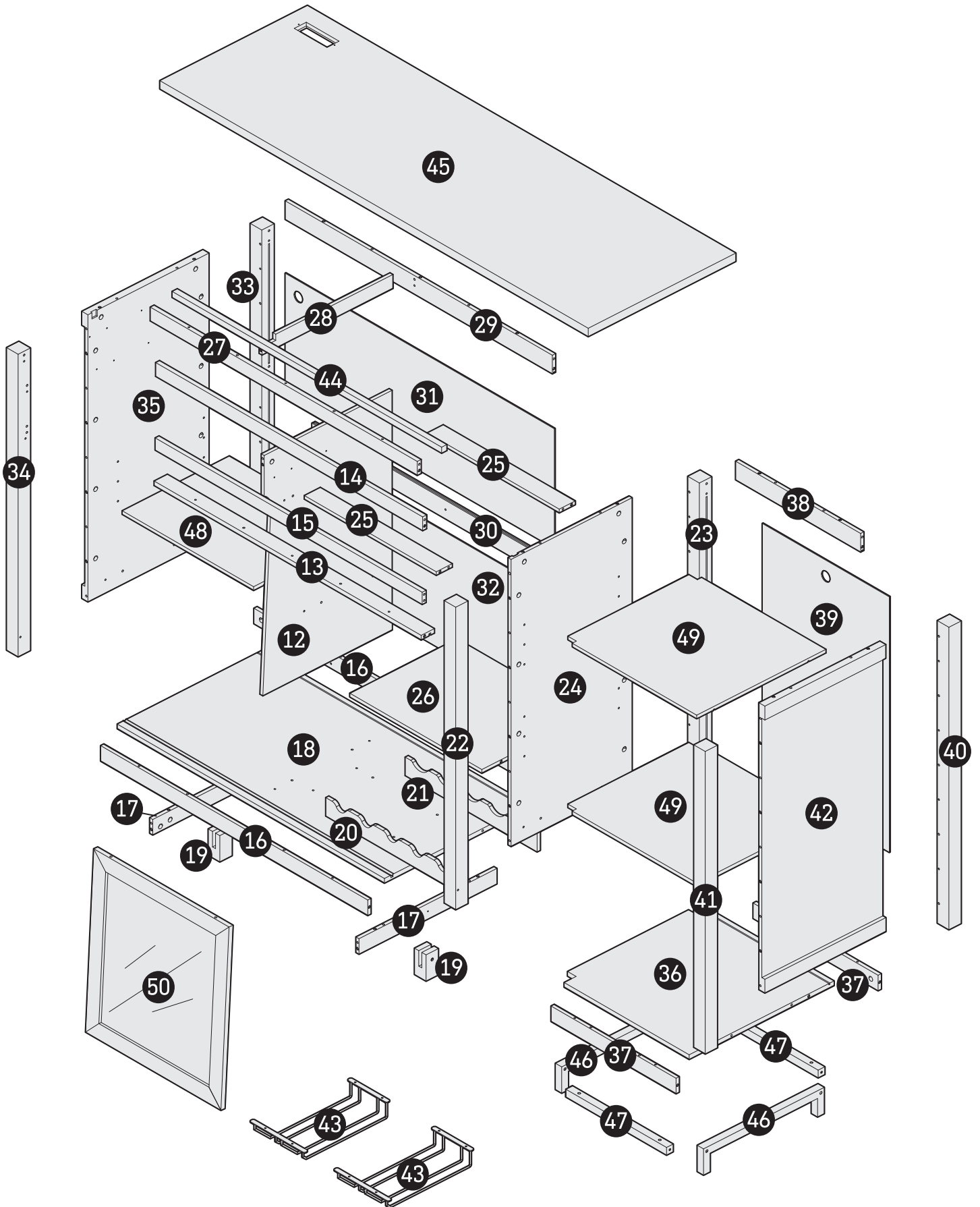
When relocating the product, ensure two-person support at the base and move gently. Avoid dragging or lifting from the top to prevent loosened screws, structural damage, or personal injury.

· To watch the installation video or download the electronic instruction manual, simply scan the **QR code** on the right or visit our website www.stosense.net.

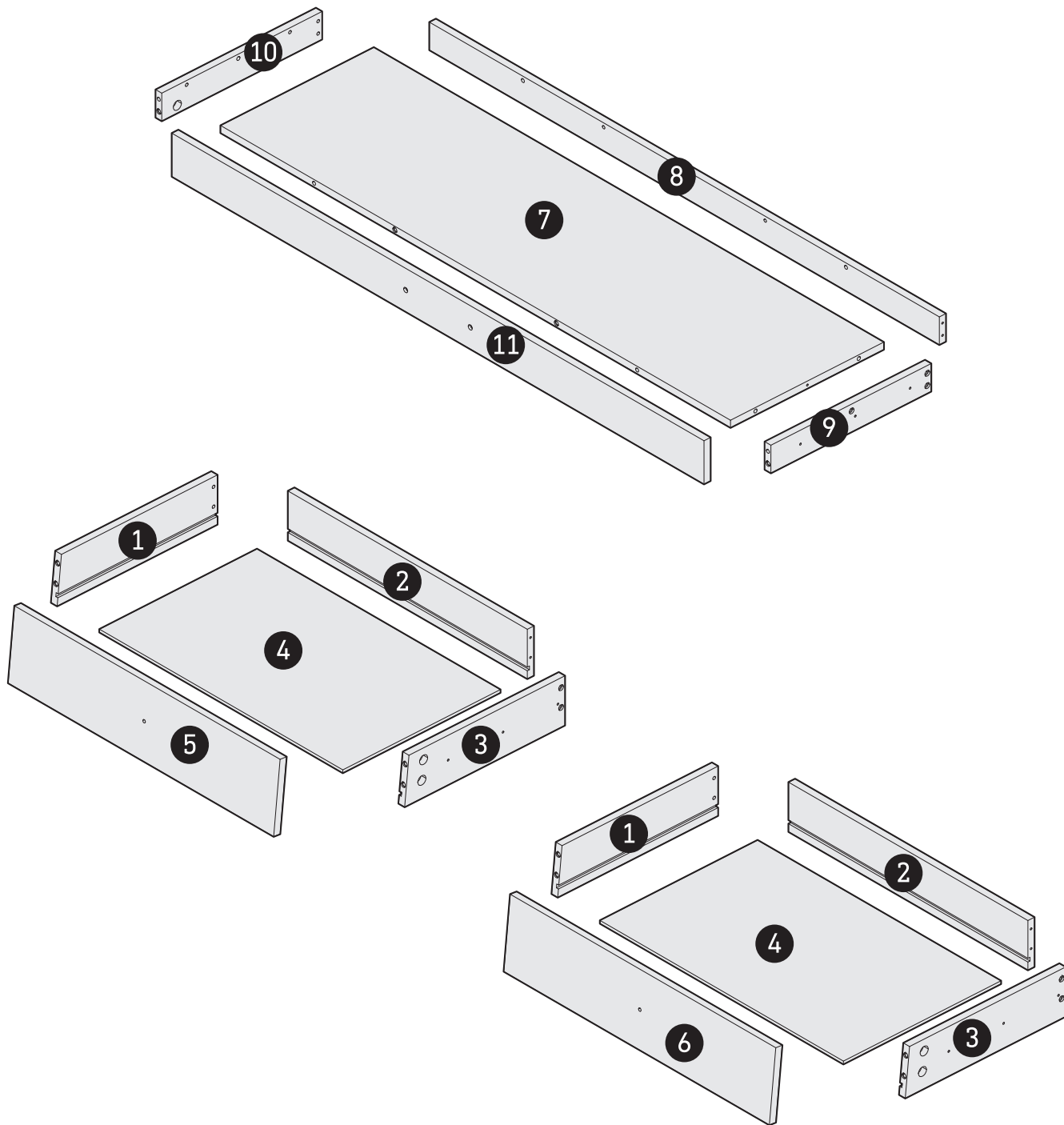
· For any questions or suggestions, feel free to email us at customerservice@stosense.net. Our team will respond promptly!



What's in the box

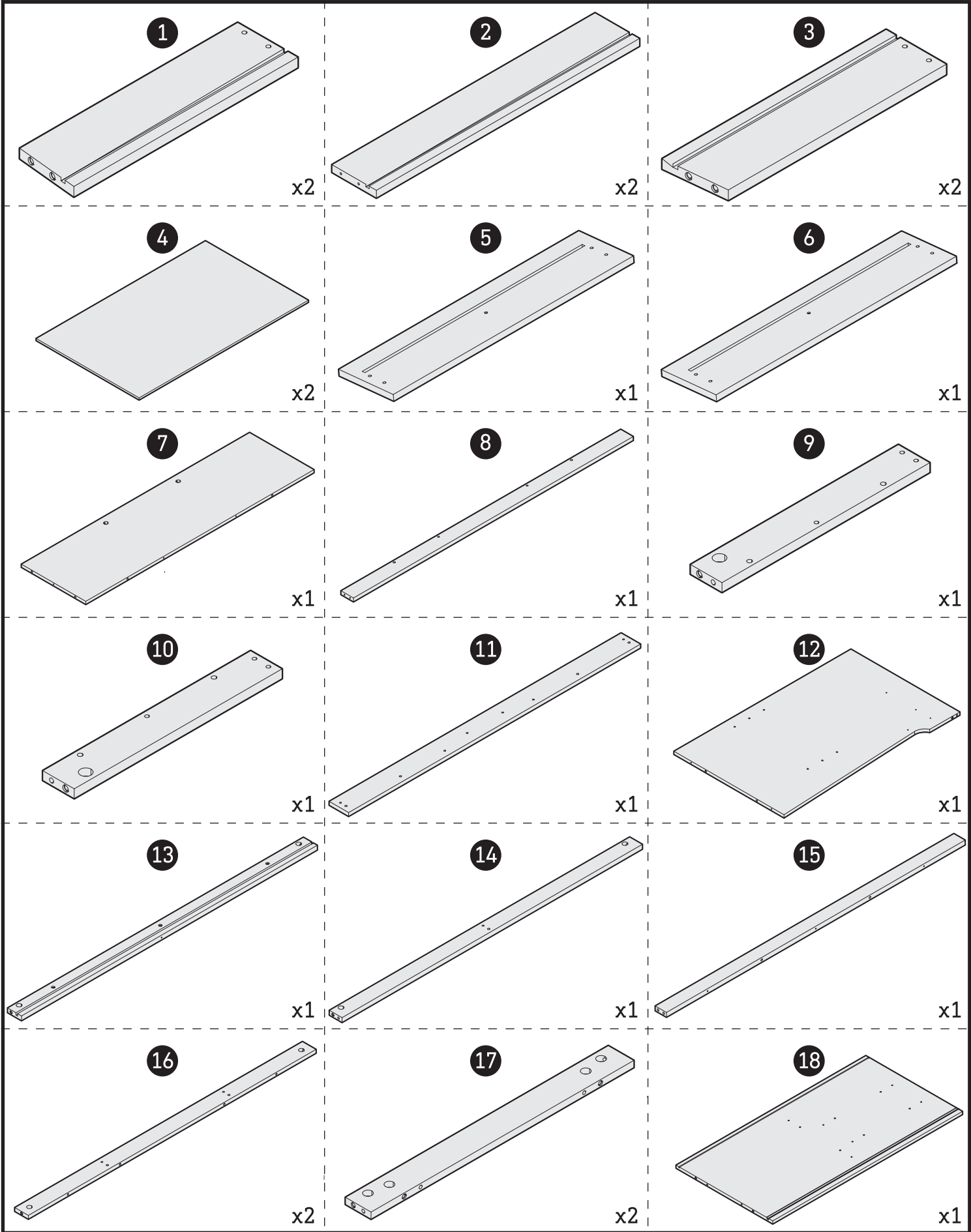


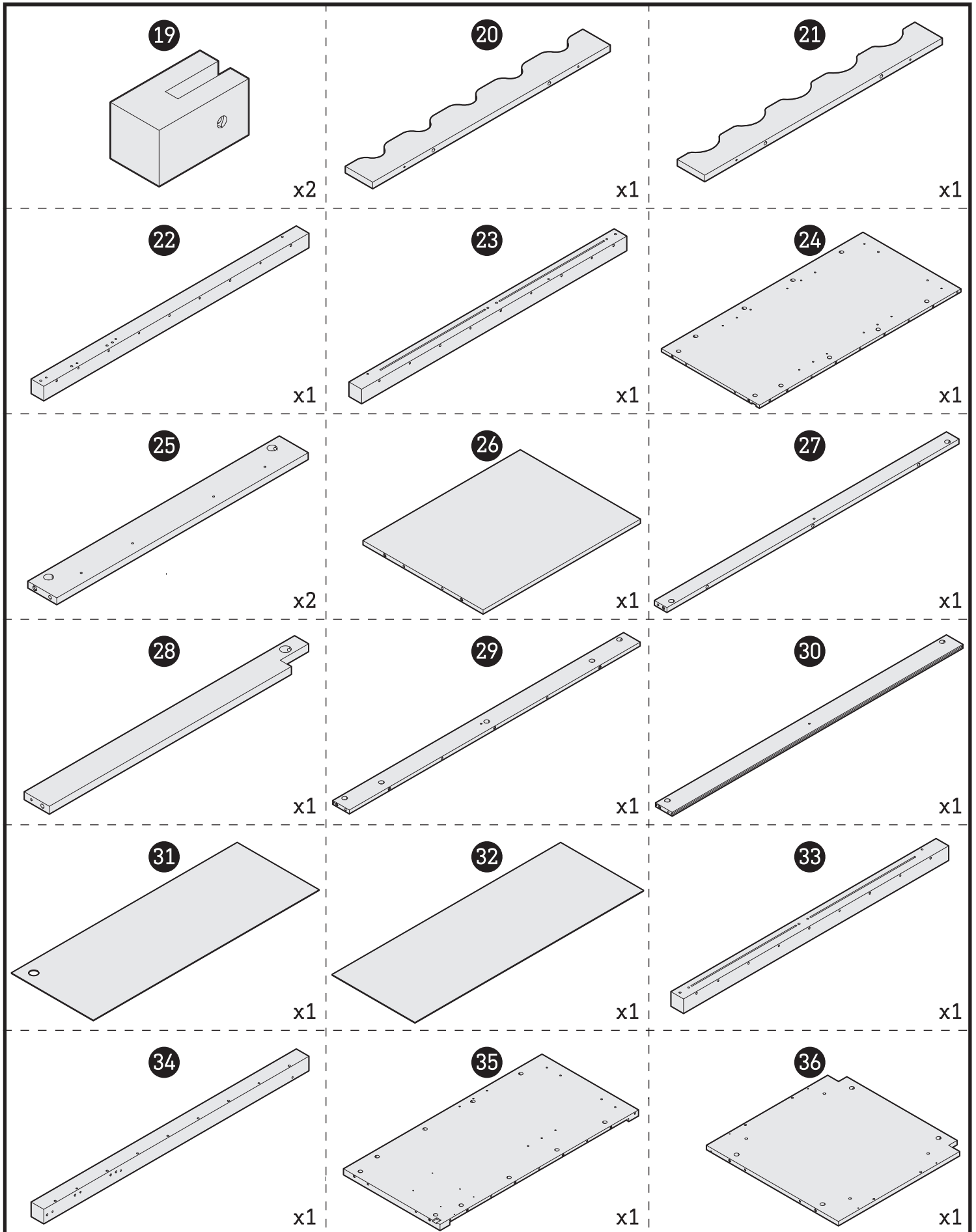
Cabinet Body

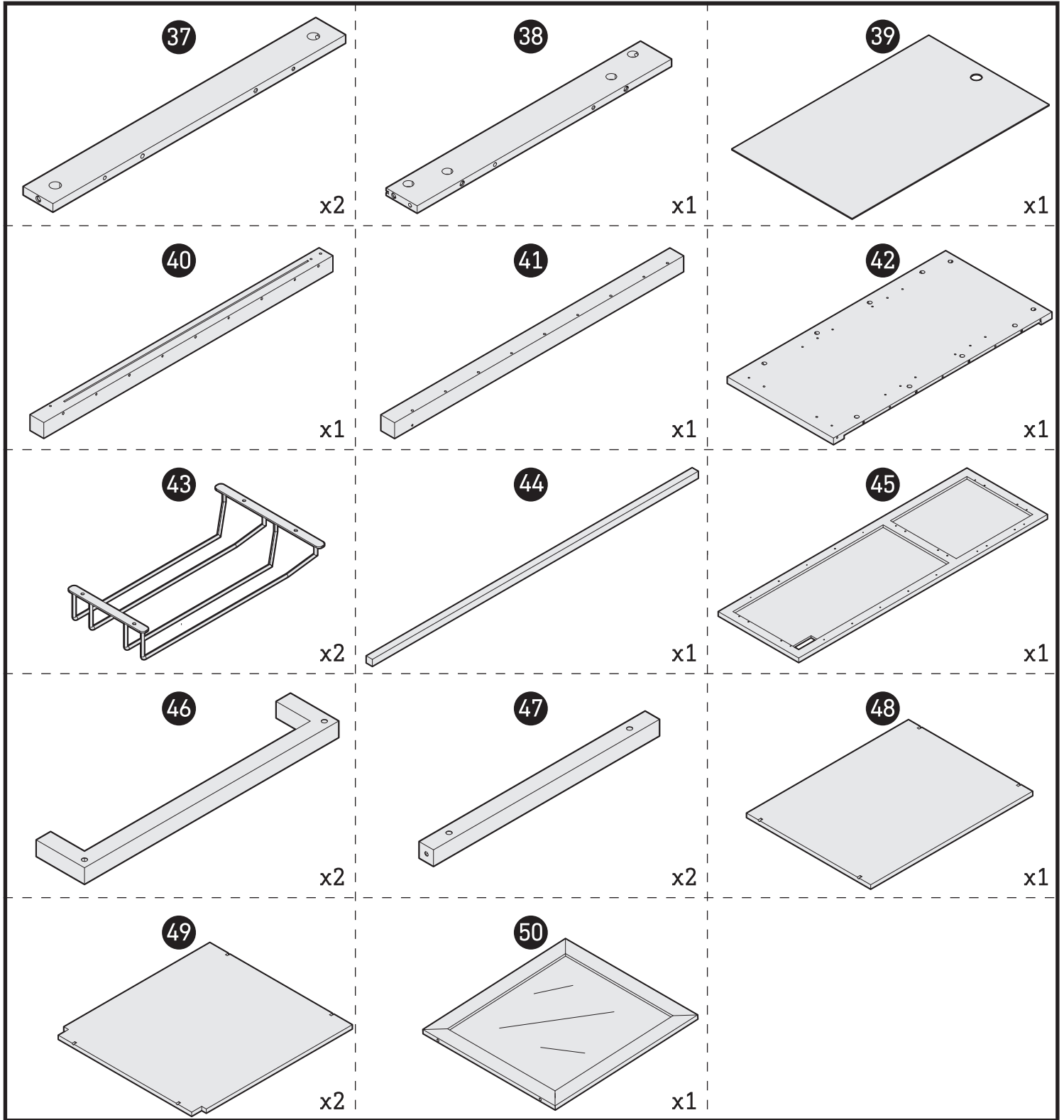


Drawers

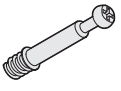
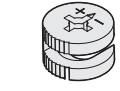
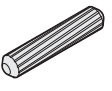
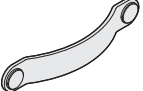
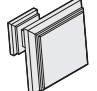


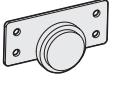
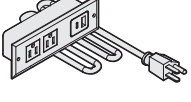




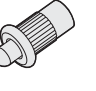



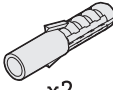

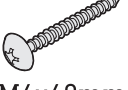
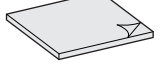
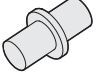

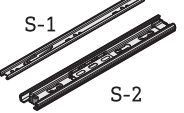
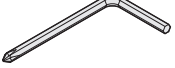
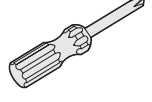
Board Parts List



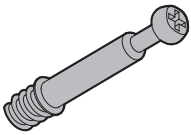




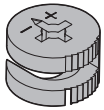
Hardware Accessories

A	x93+2	B	x93+2	C	x110+2	D	x1	E	x2	F	x4	G	x8+2				
										 M4x12mm		 M6x35mm					
H	x2	I	x1	J	x1	K	x14 Sets	L	x56+2	M	x2						
						 		 M3.5x12mm									
N										O	x40+2	P	x8	Q	x12	R	x26
										 M4x40mm							
S	x6	Hex Key		Screwdriver													
																	

How to connect the cam lock system

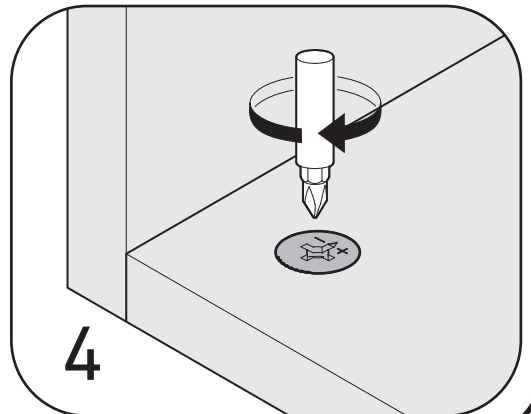
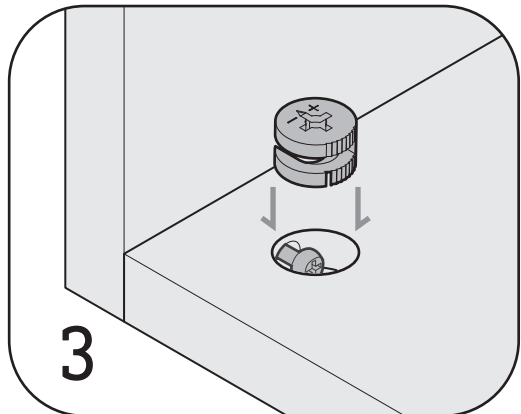
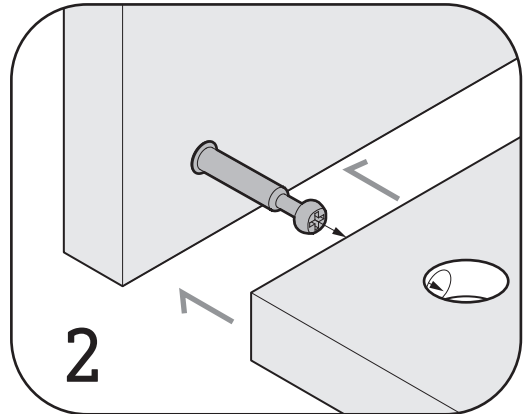
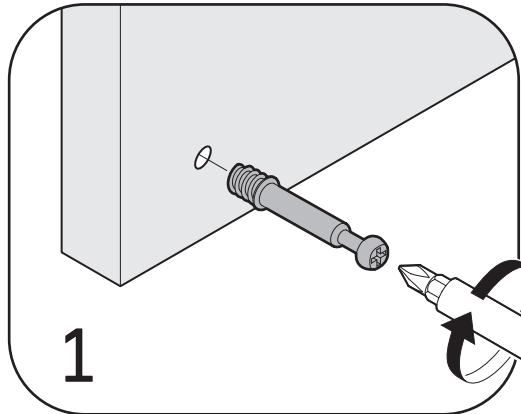


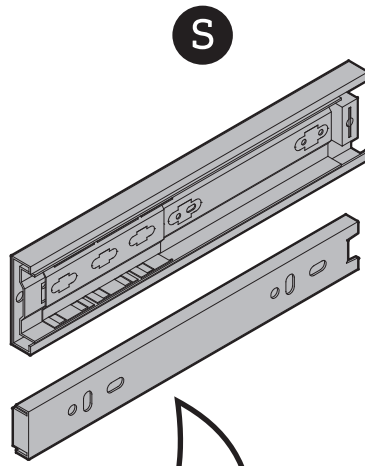
A



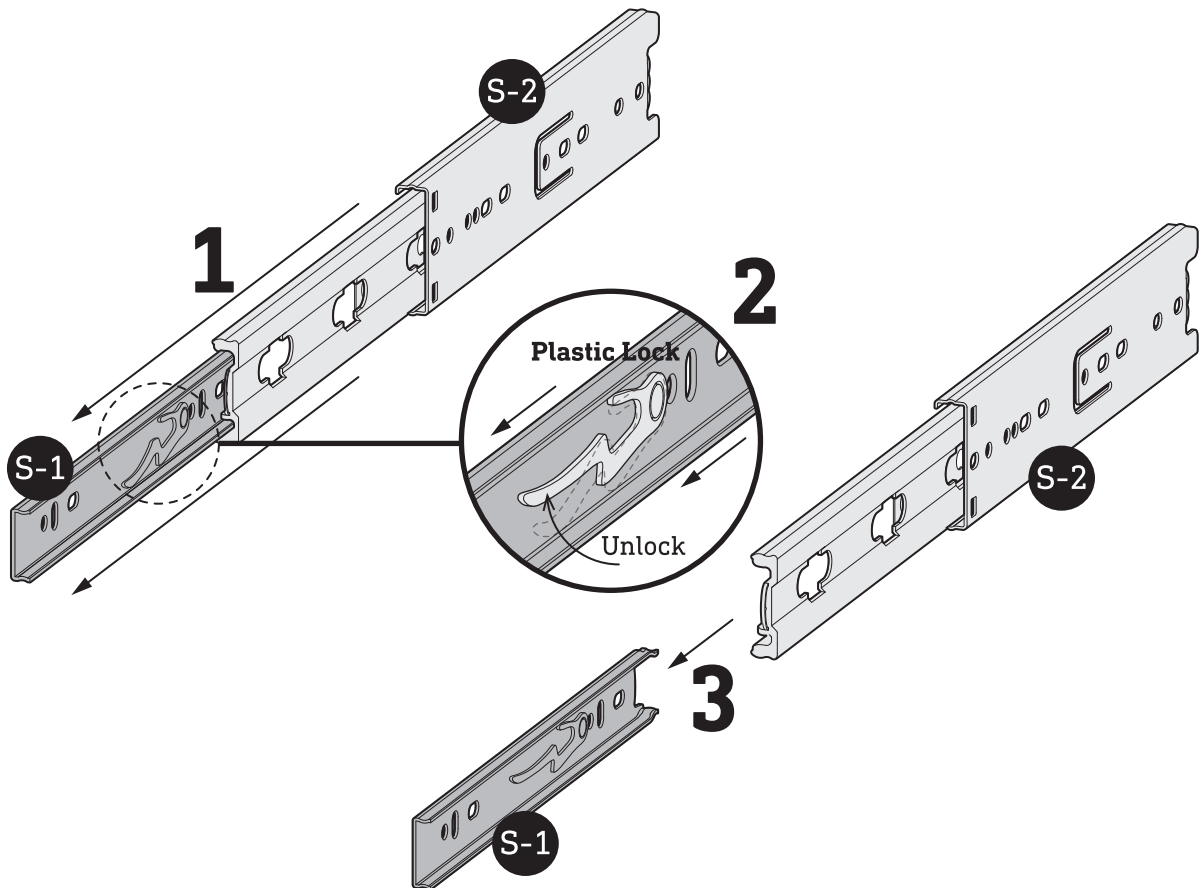
B

Scan the **QR** code below for installation video instructions if needed.





How to separate the drawer slide

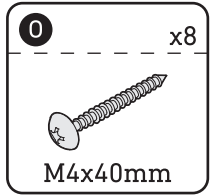
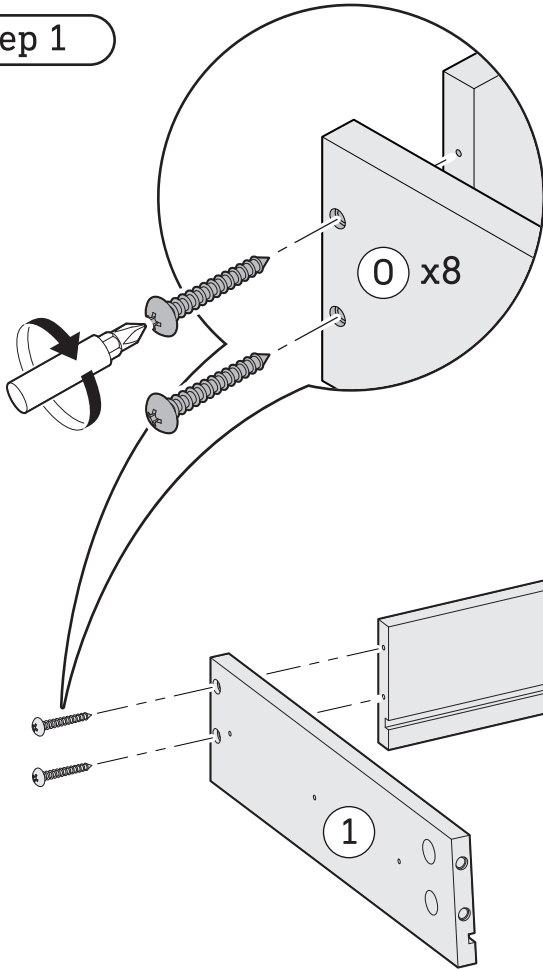


1. Expand the sliding rail until the plastic lock appears.
2. Push up the plastic lock to unlock the rail and keep expanding the rail.
3. Completely separate the part S-1 from the part S-2.

Actual drawer slides may vary slightly in appearance, but installation/removal procedures remain consistent. Scan the **QR code** on the right for video instructions if any confusion arises.

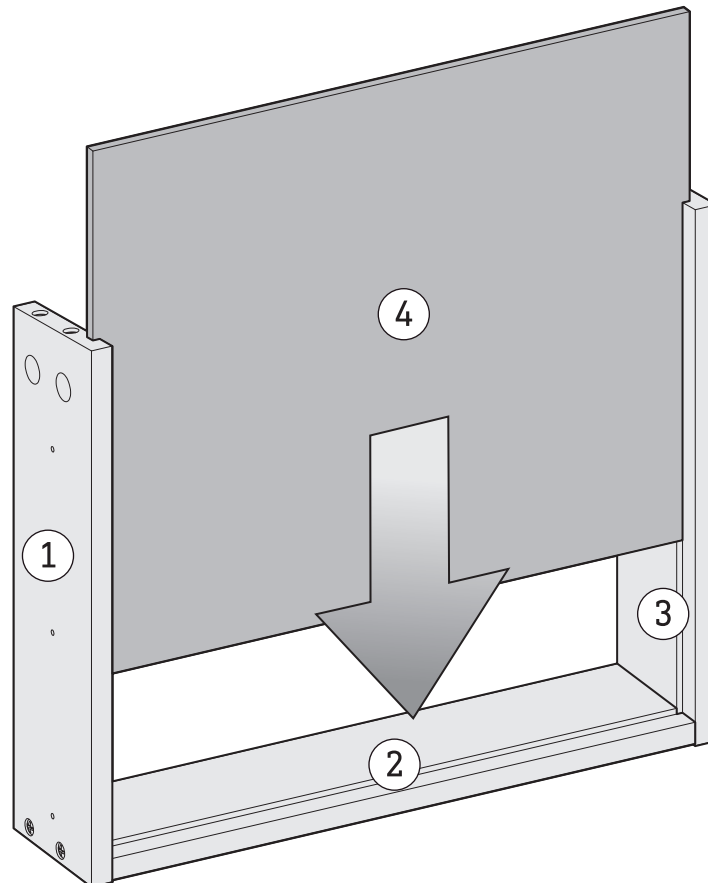


Step 1



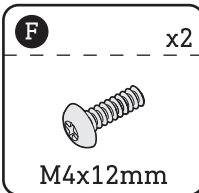
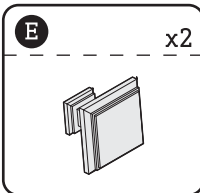
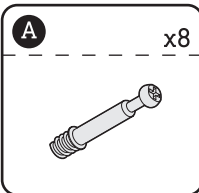
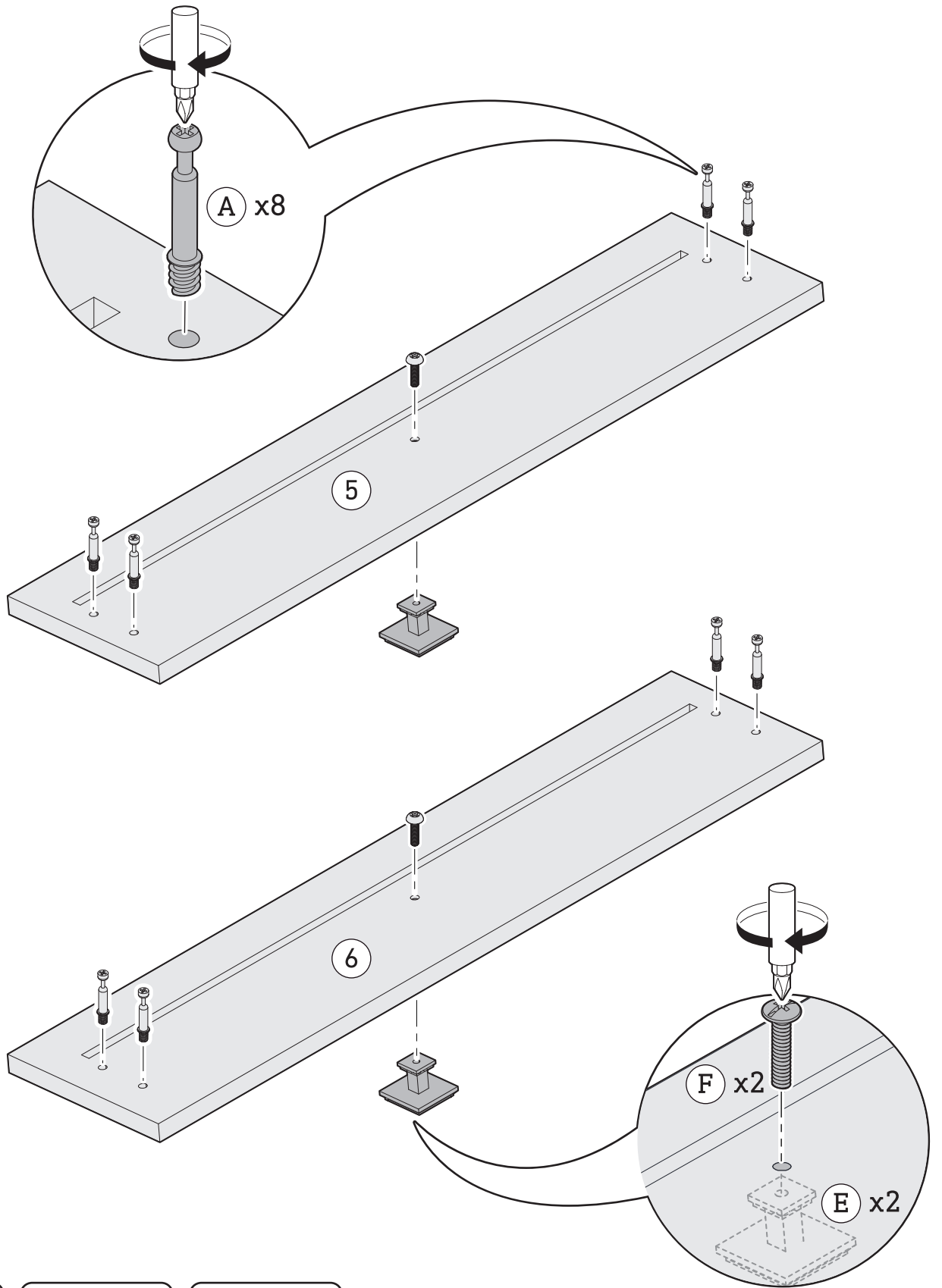
x2

Step 2

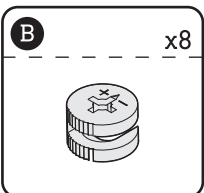
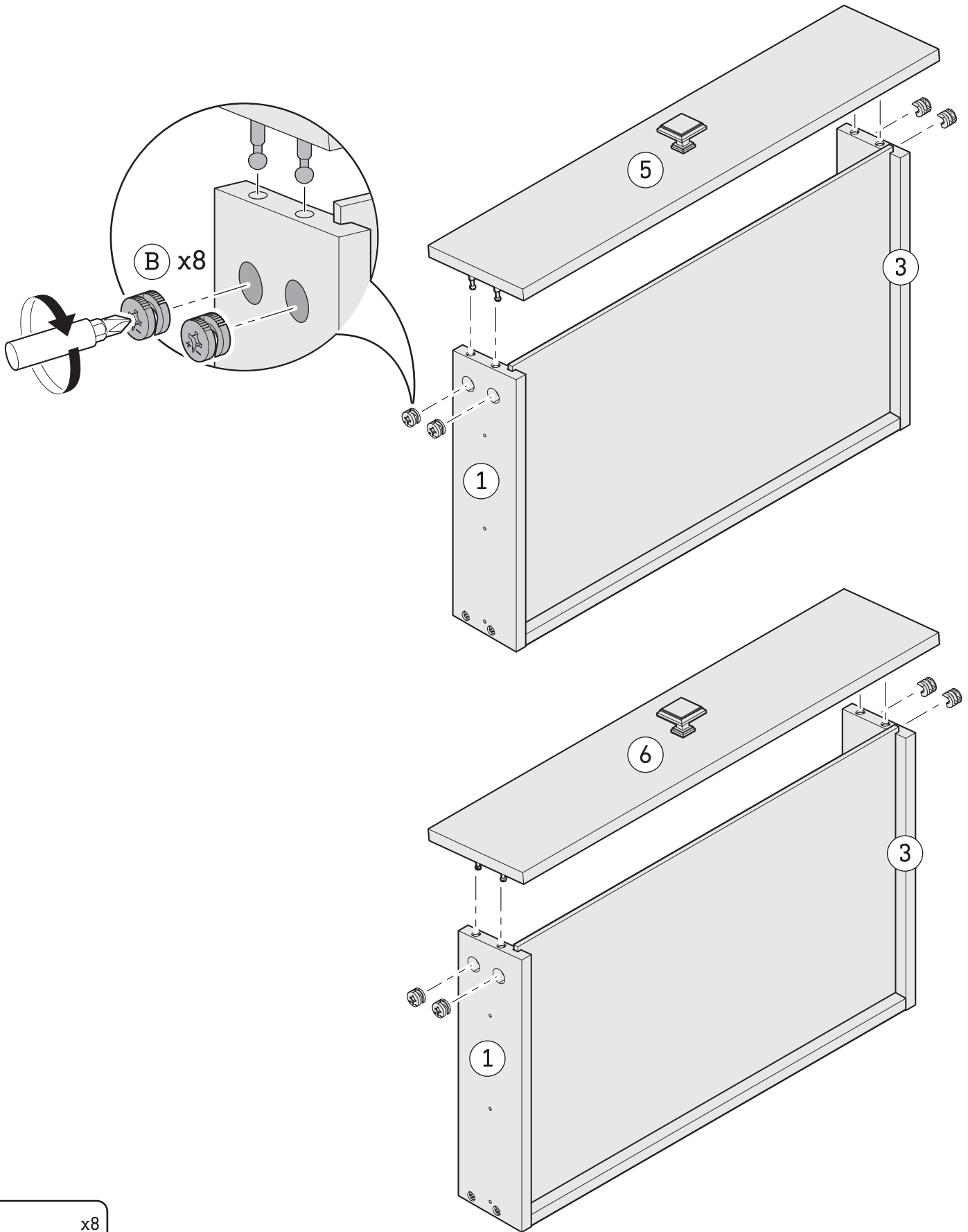


x2

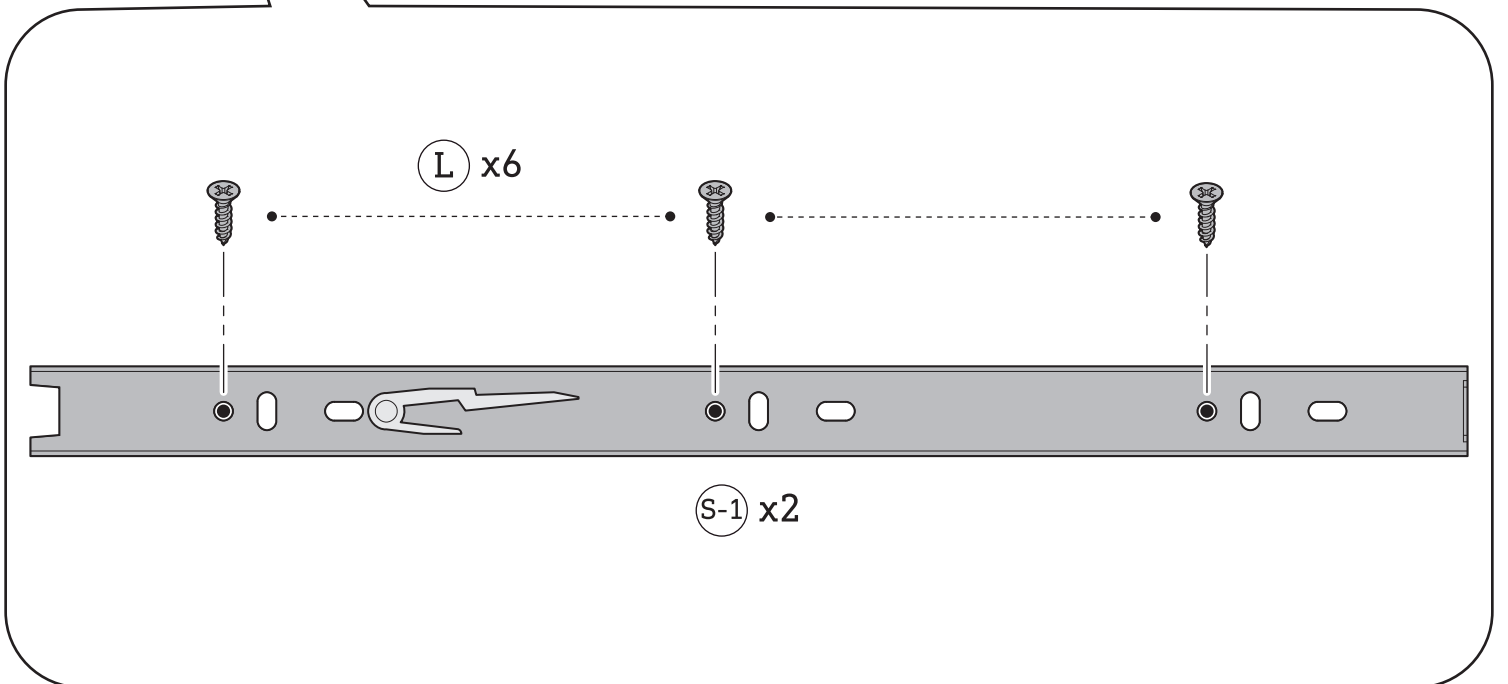
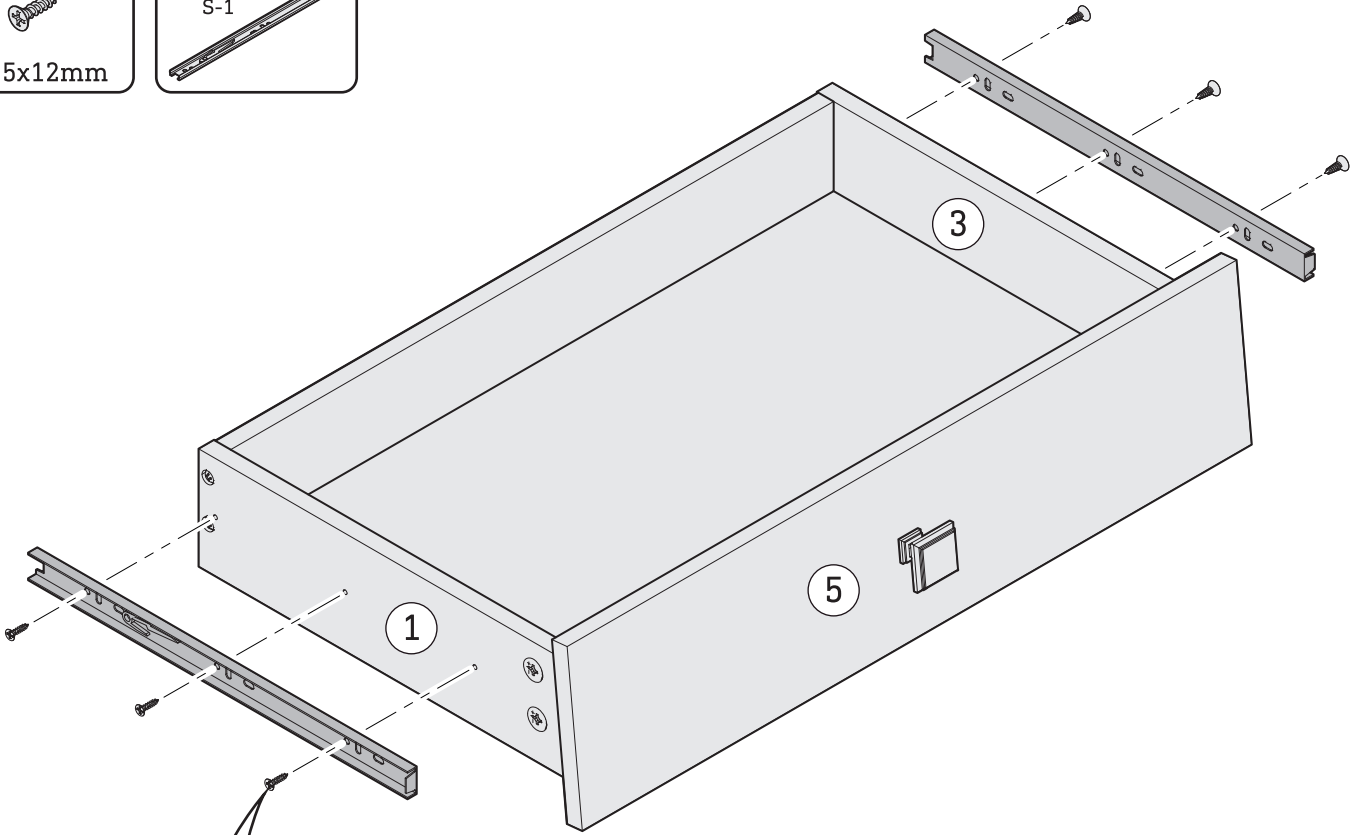
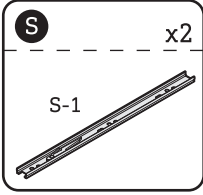
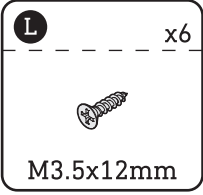
Step 3



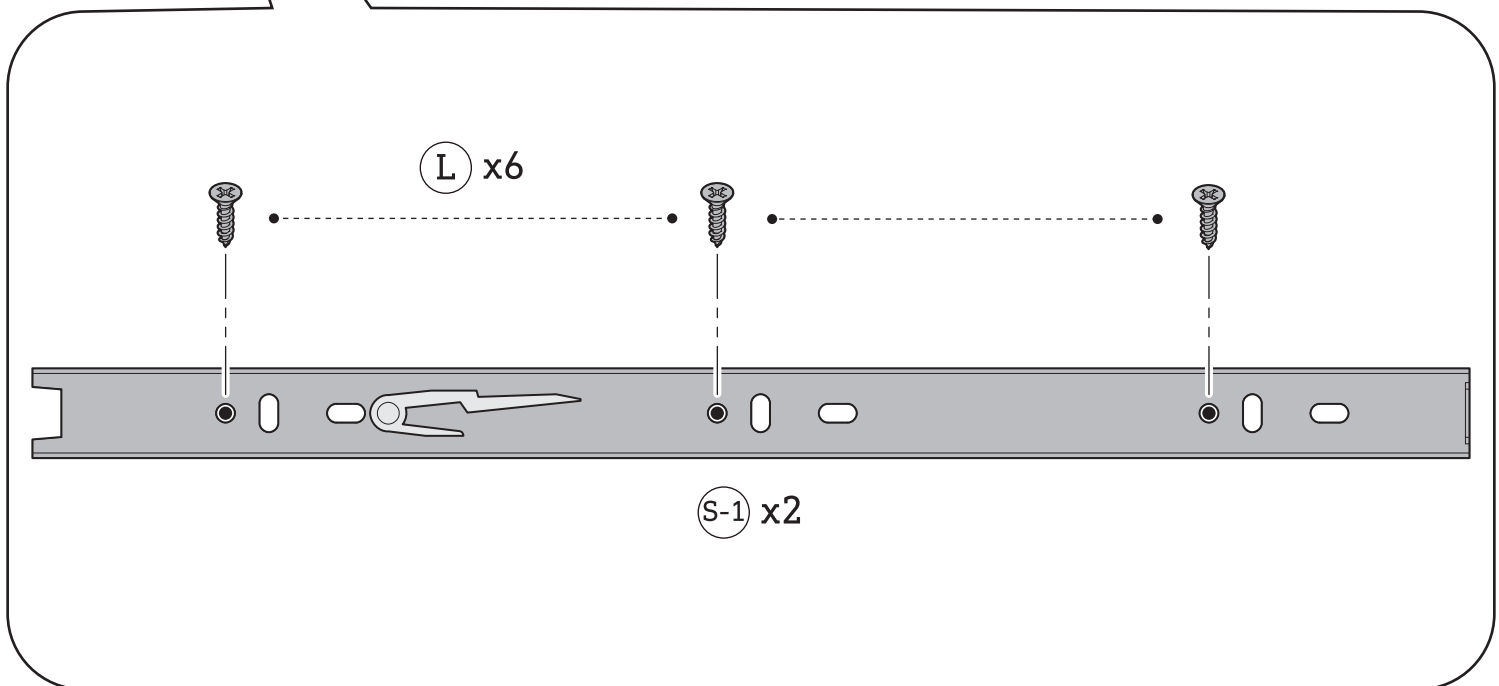
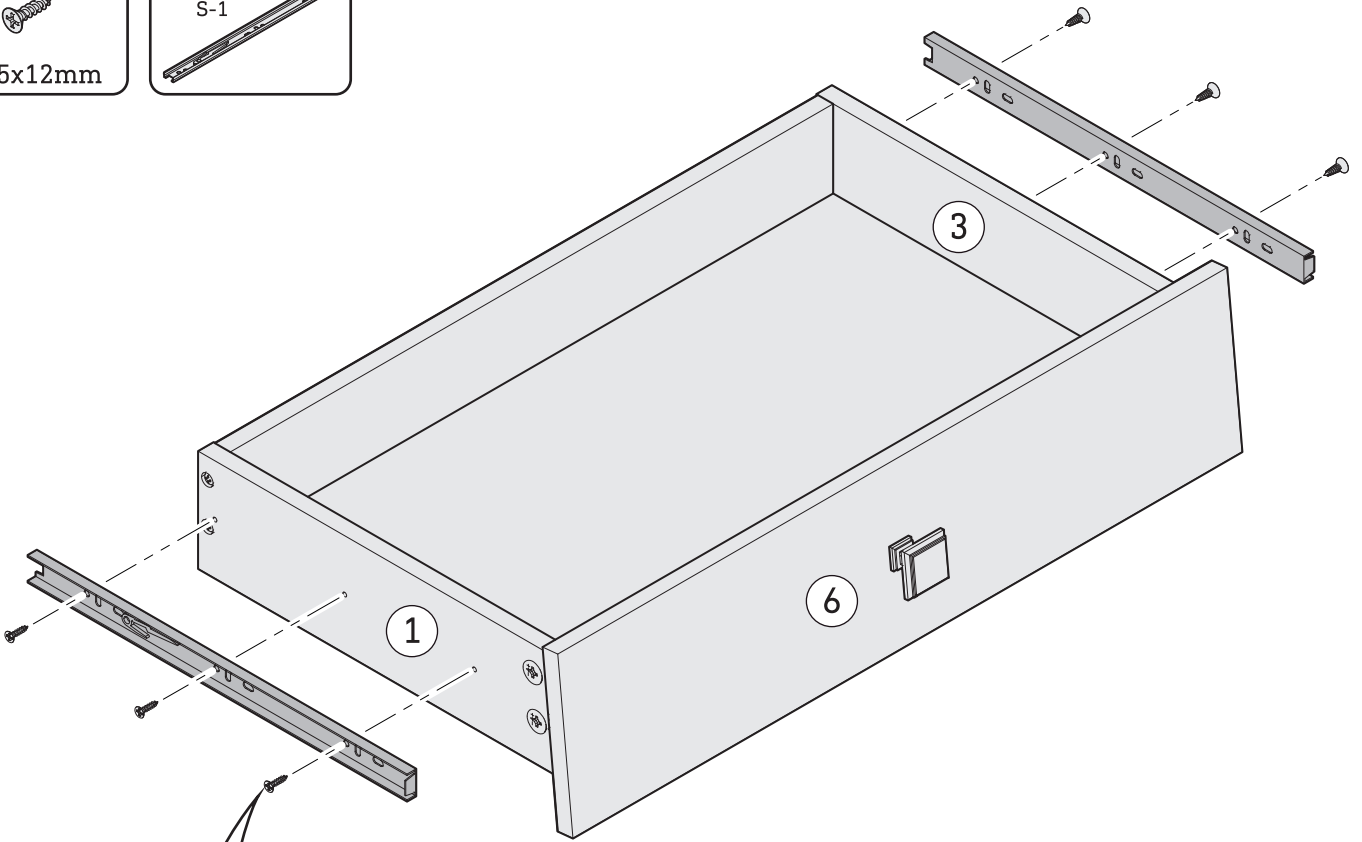
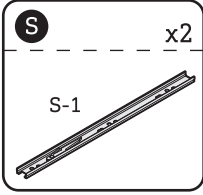
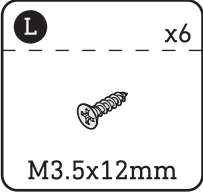
Step 4



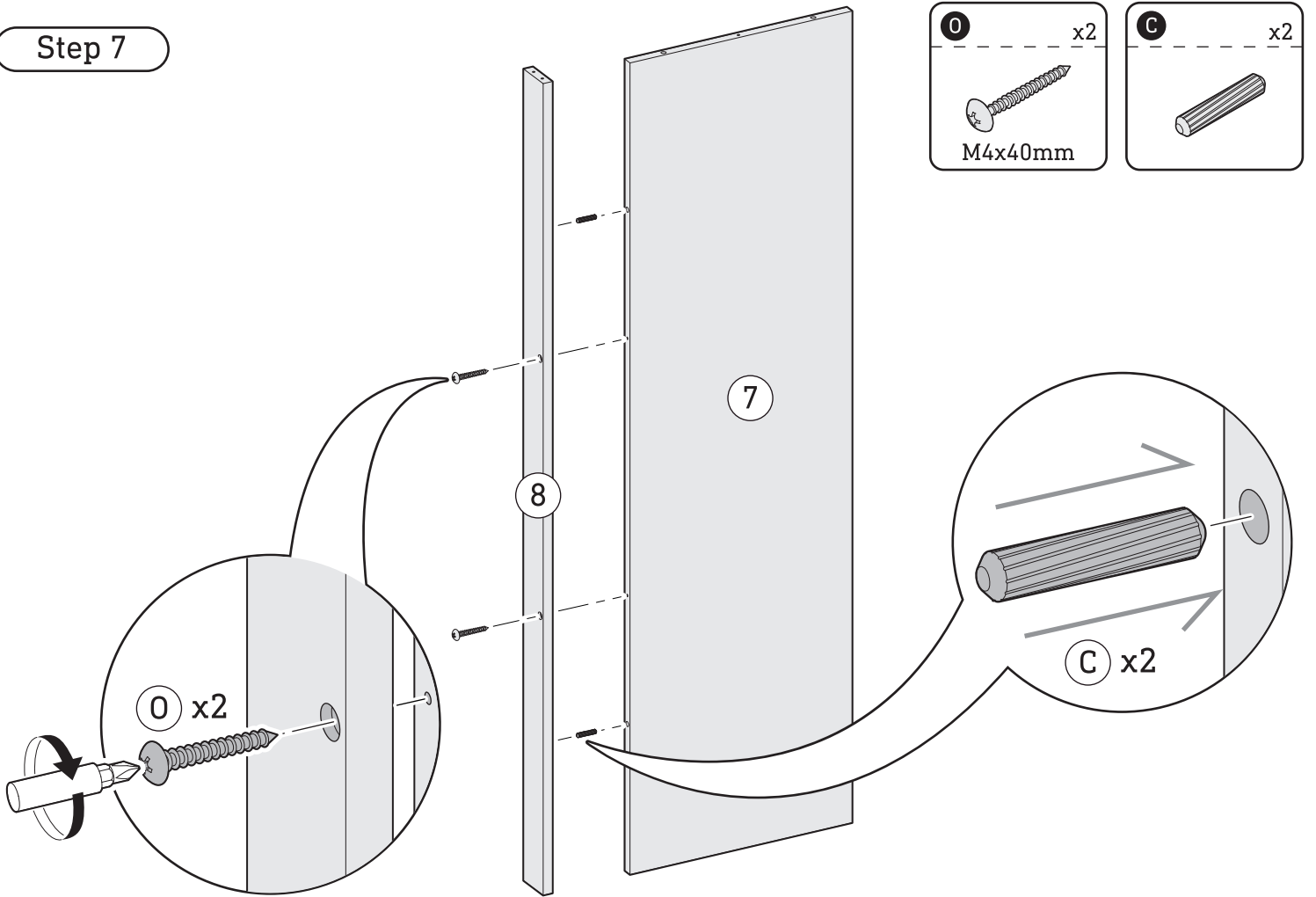
Step 5



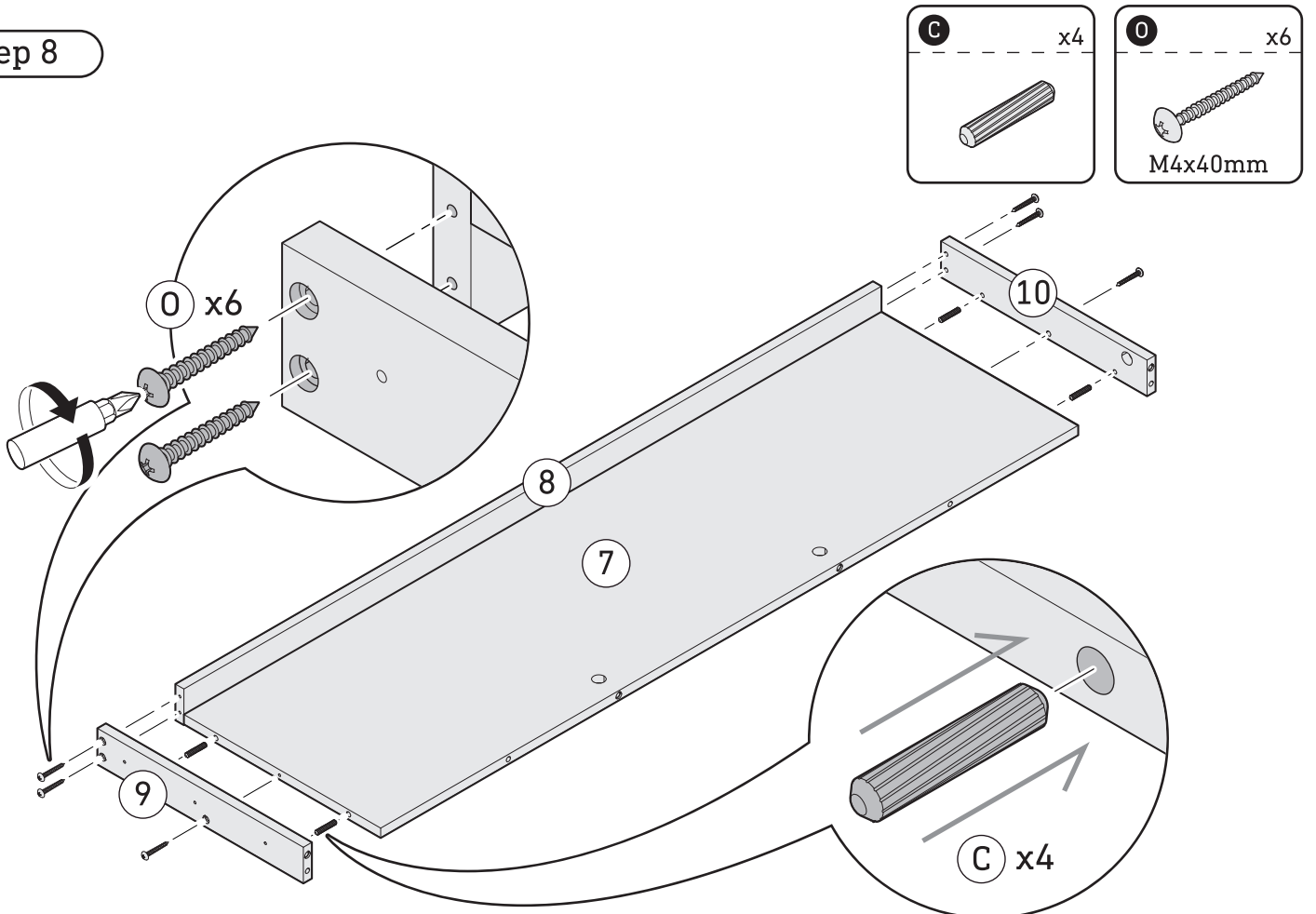
Step 6



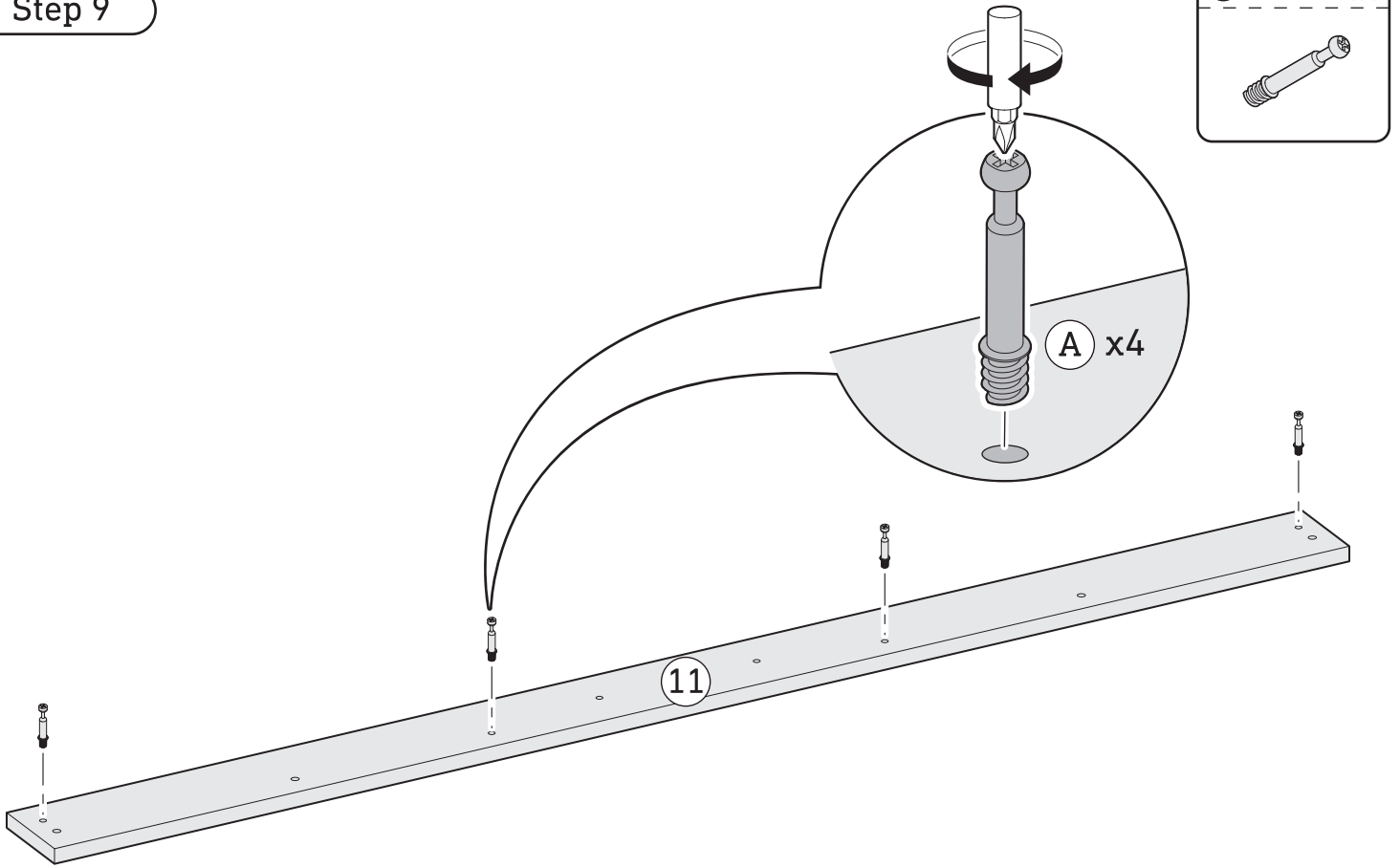
Step 7



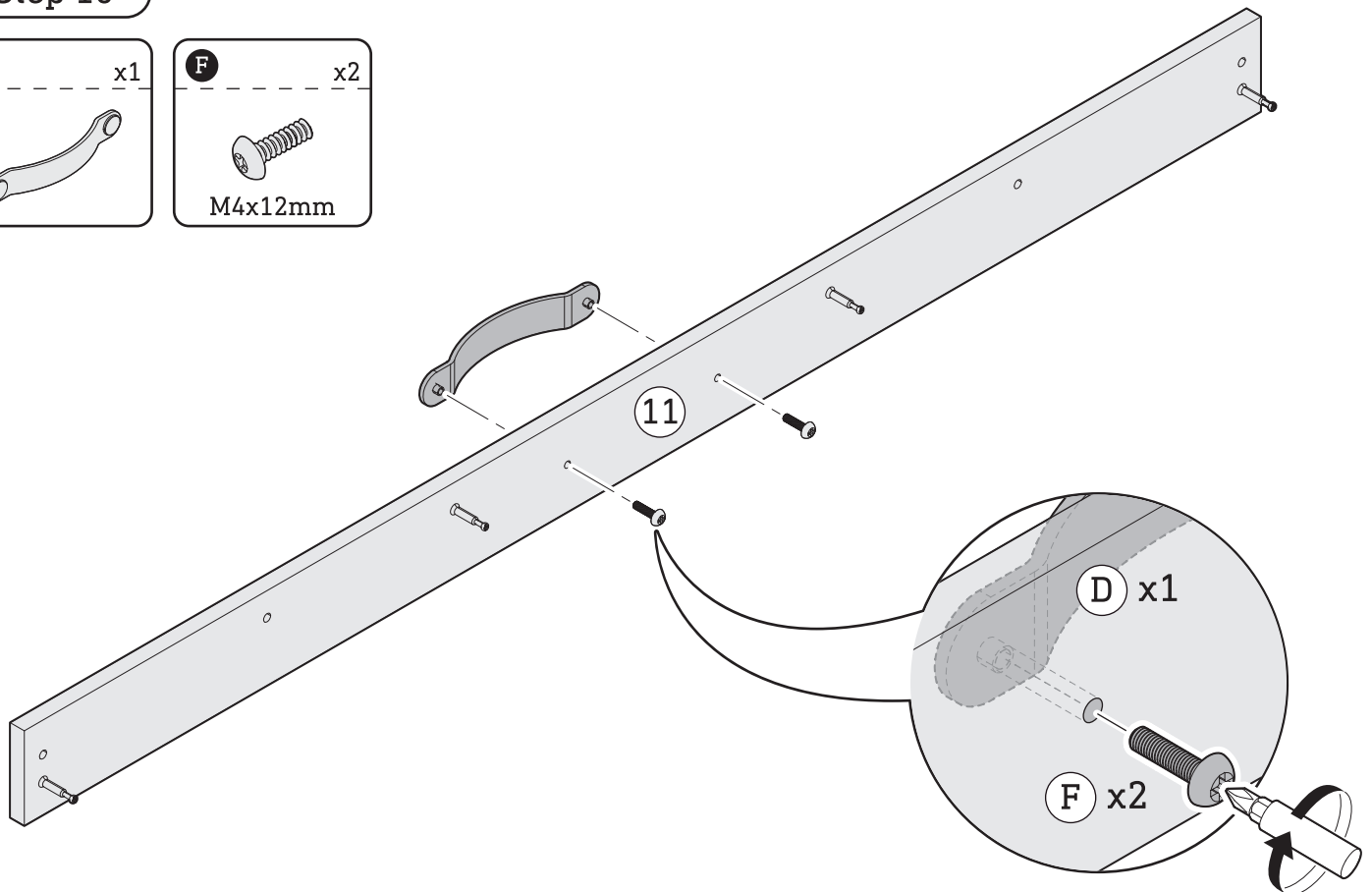
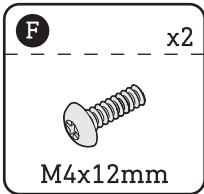
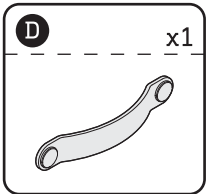
Step 8



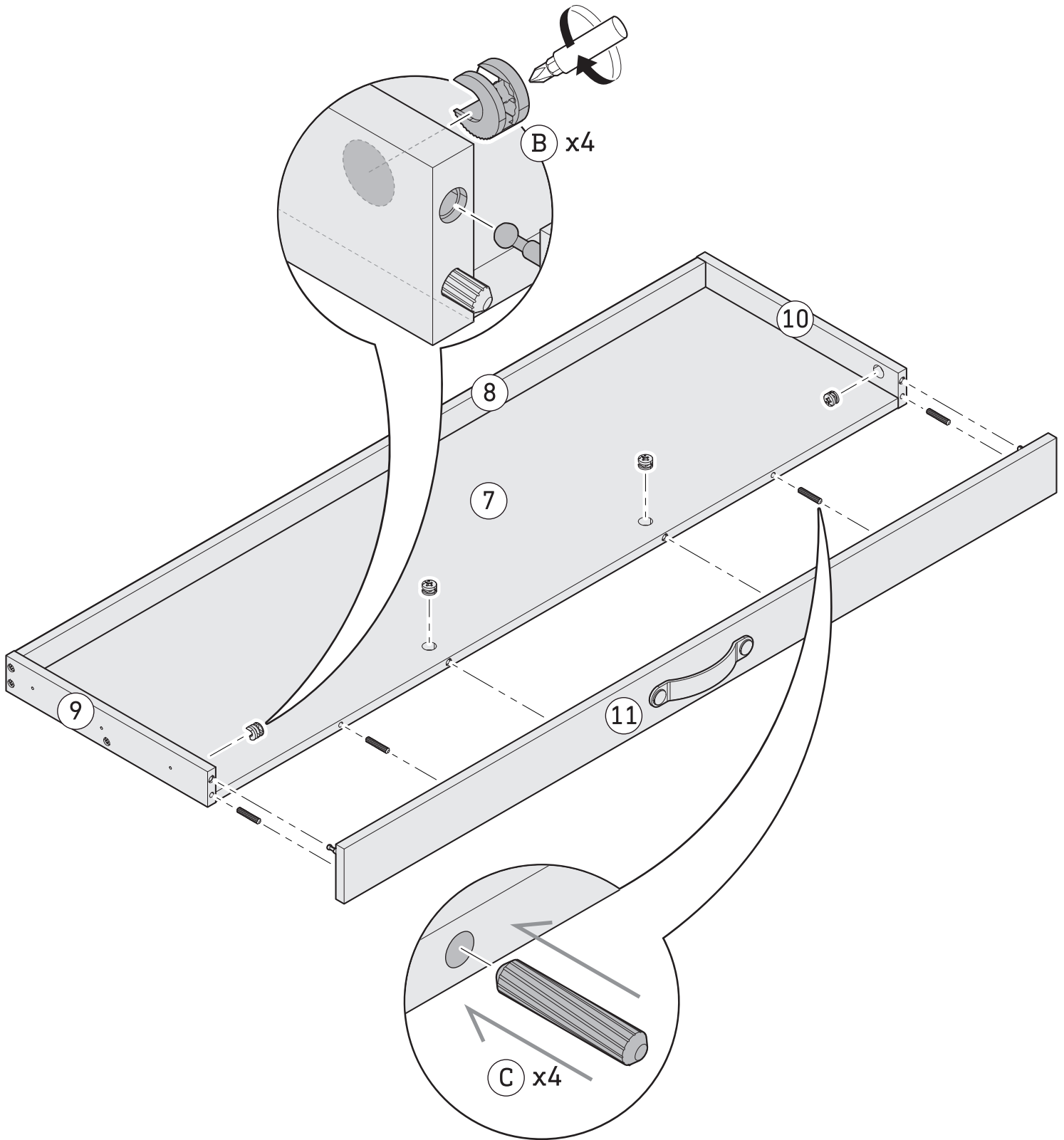
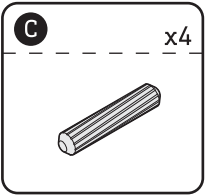
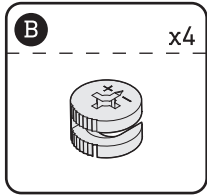
Step 9



Step 10

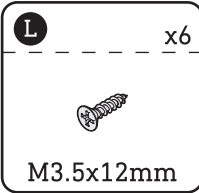


Step 11

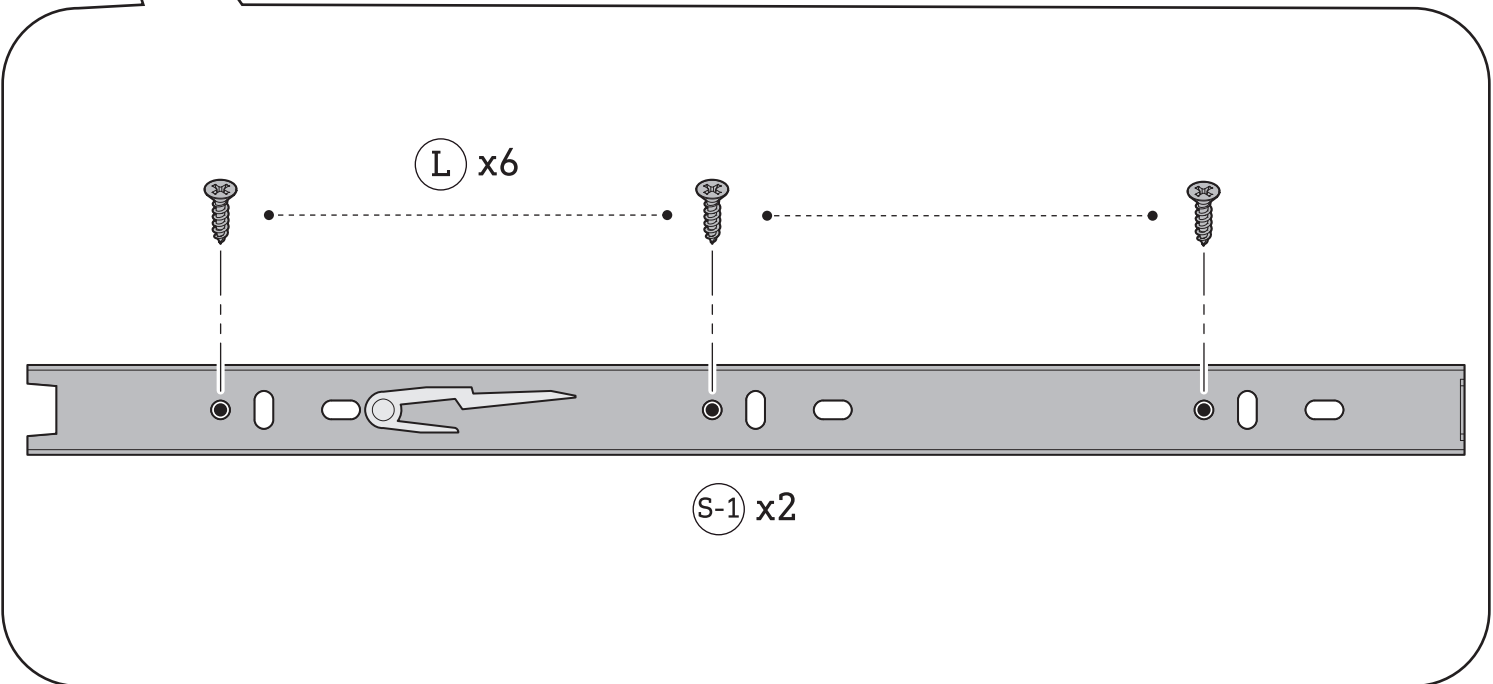
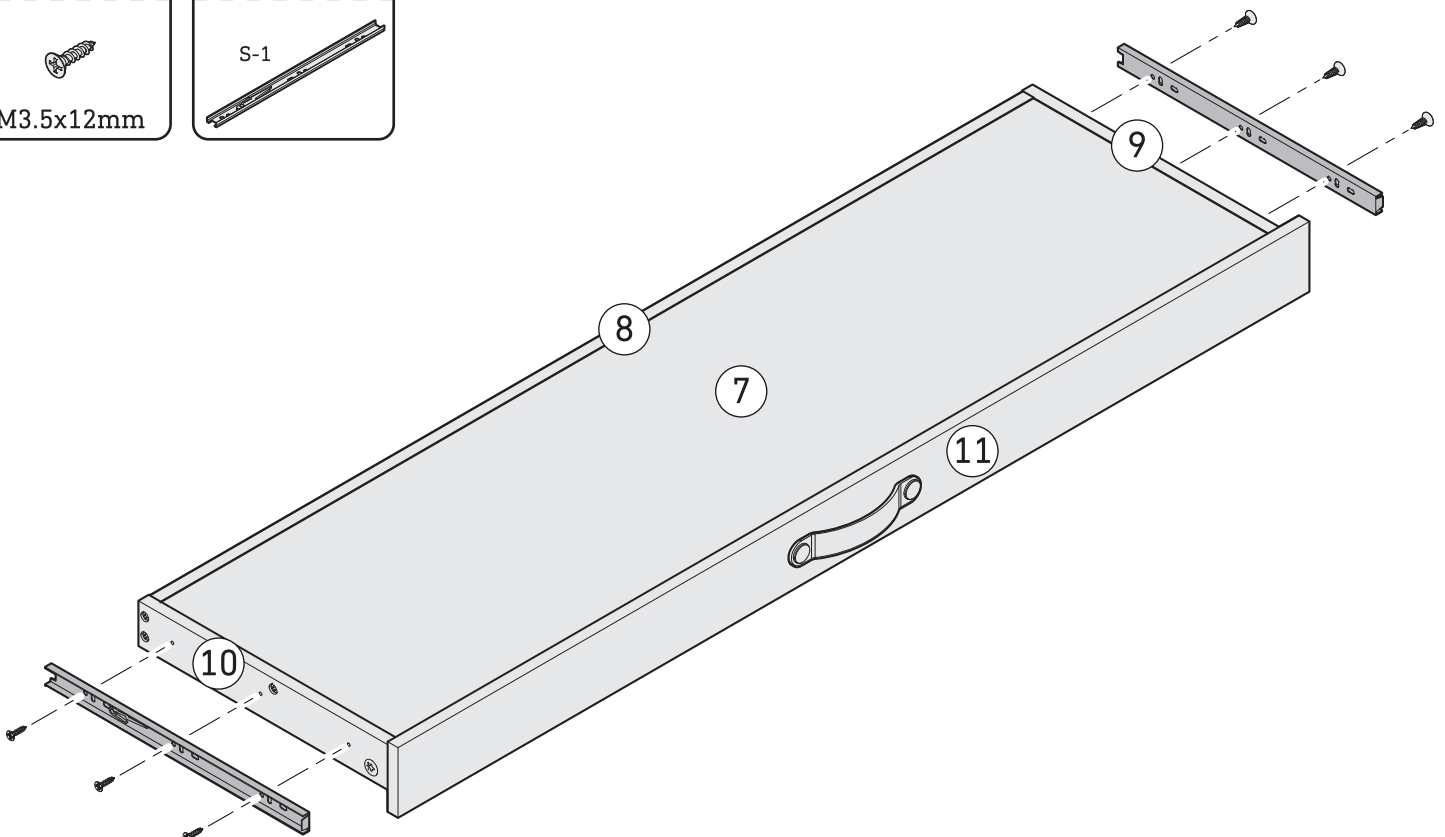
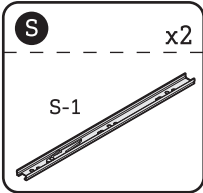


Step 12

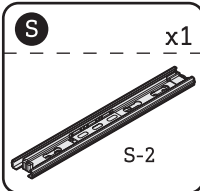
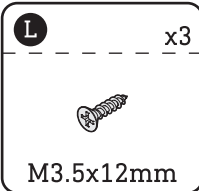
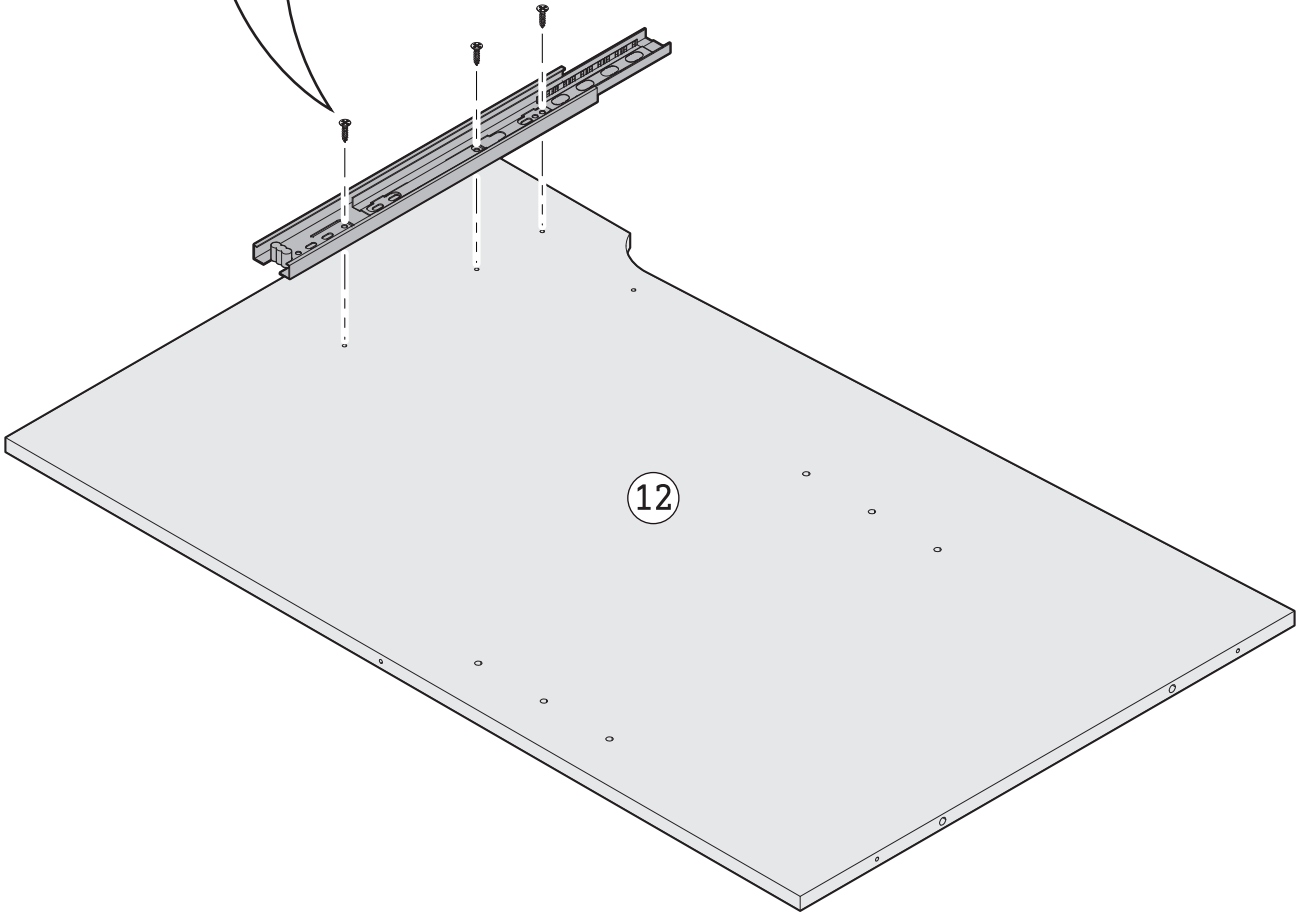
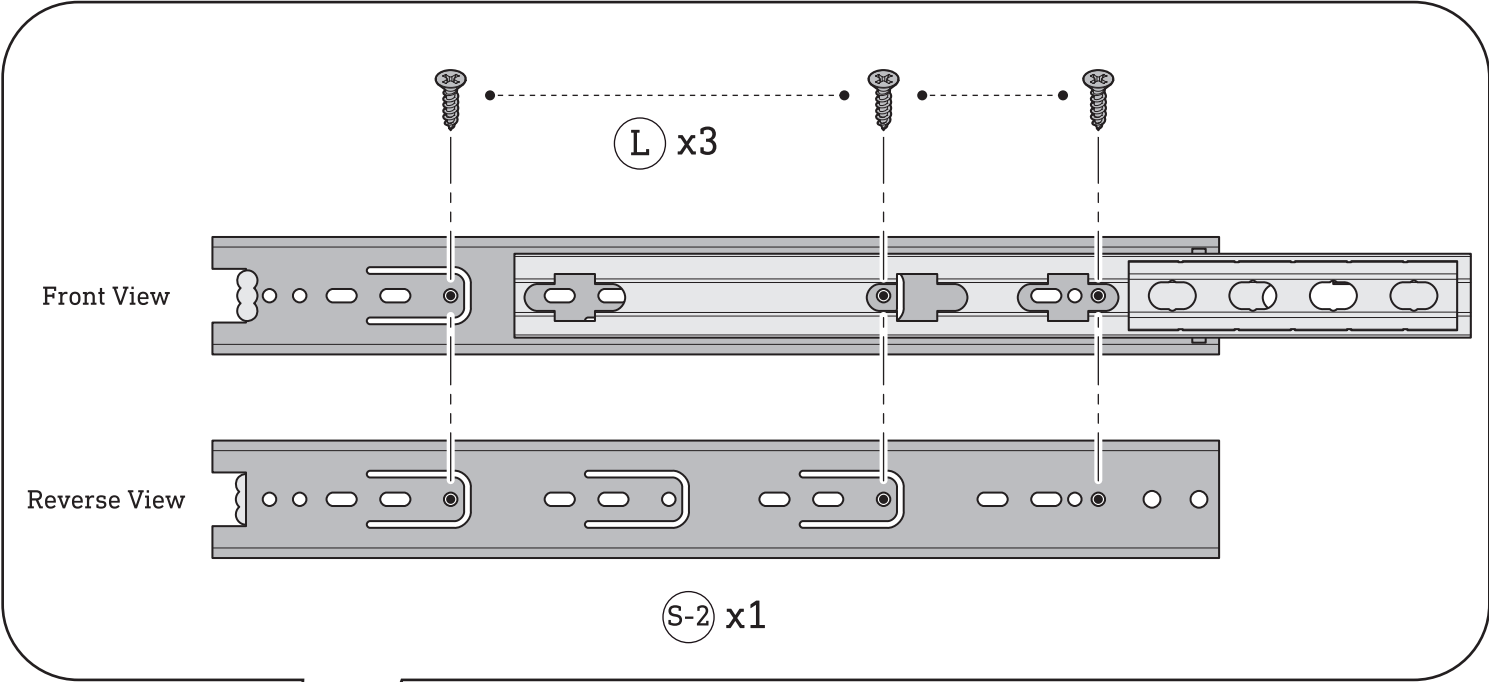
L x6
M3.5x12mm



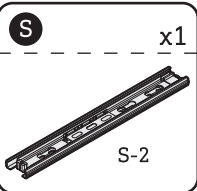
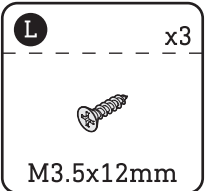
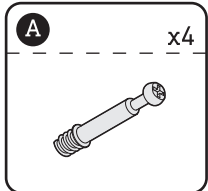
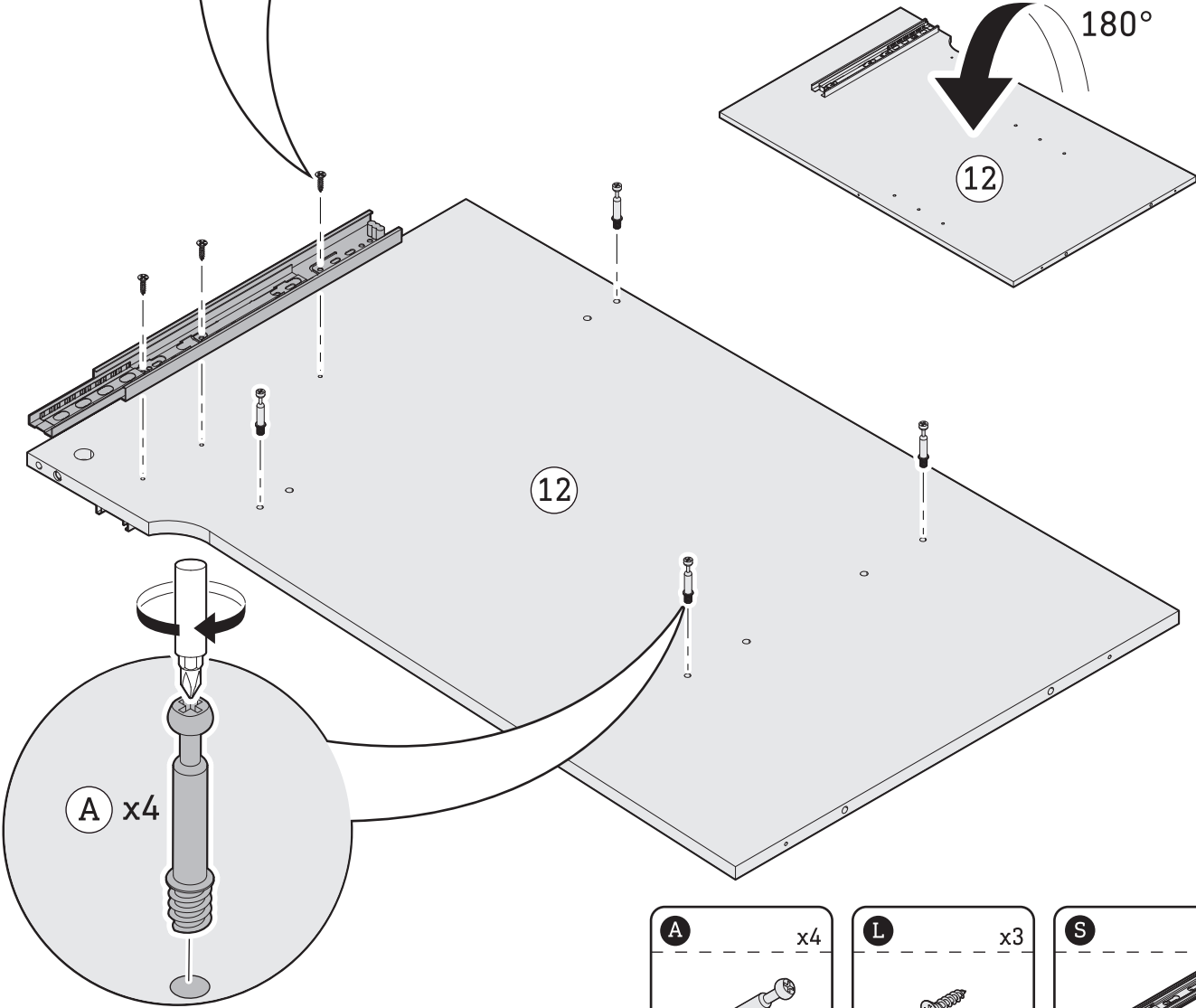
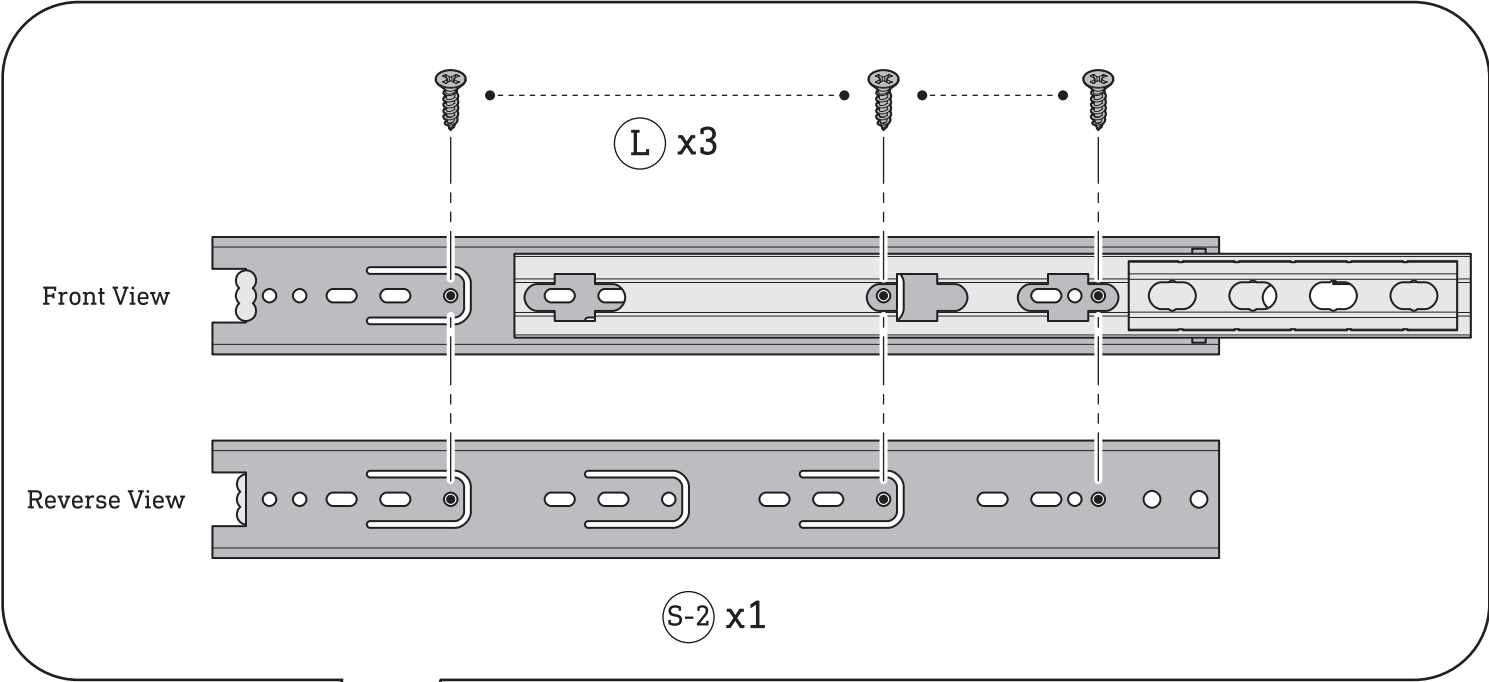
S x2
S-1



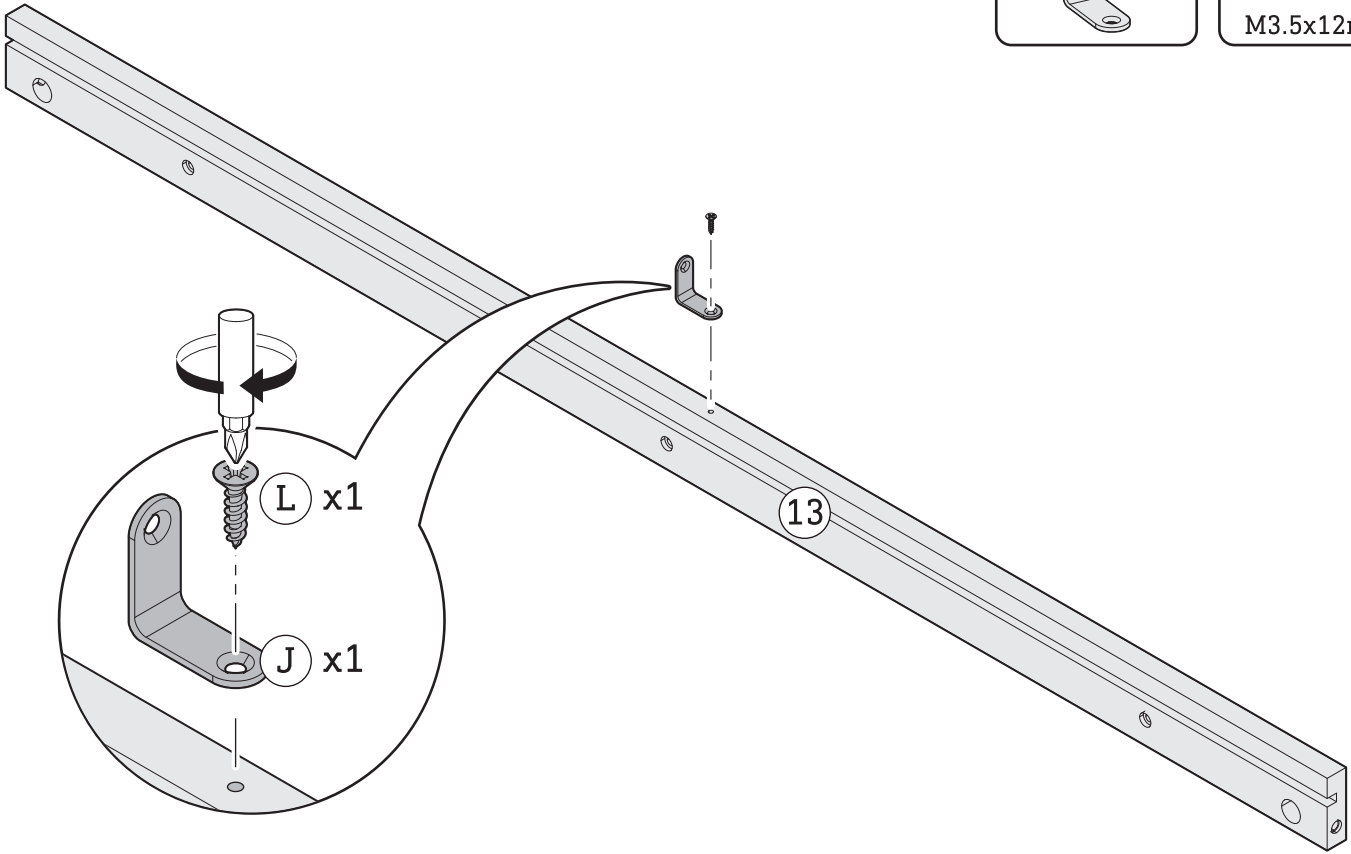
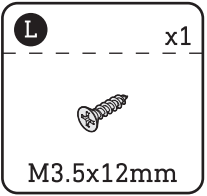
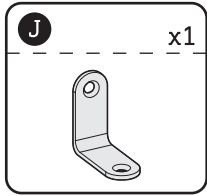
Step 13



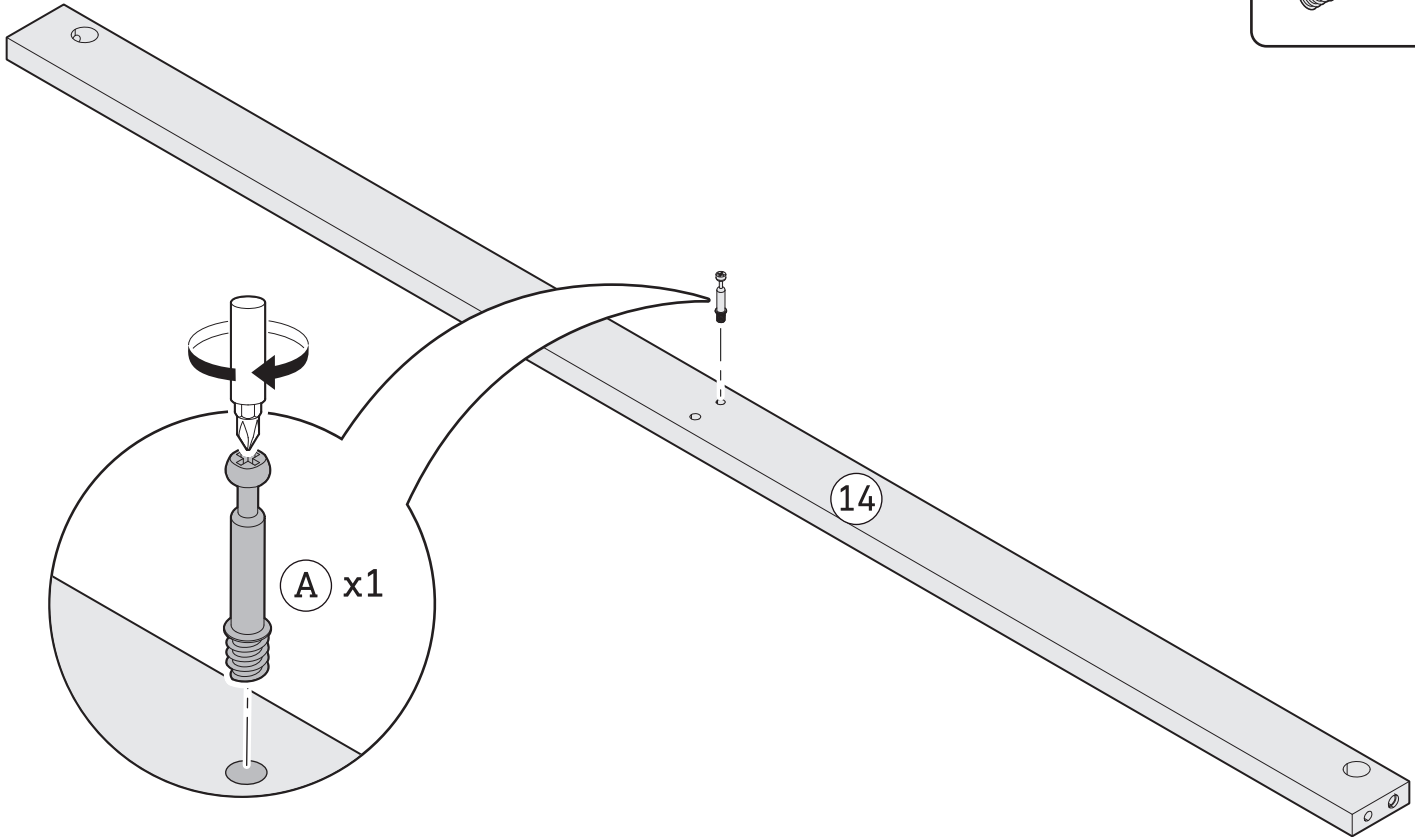
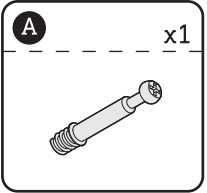
Step 14



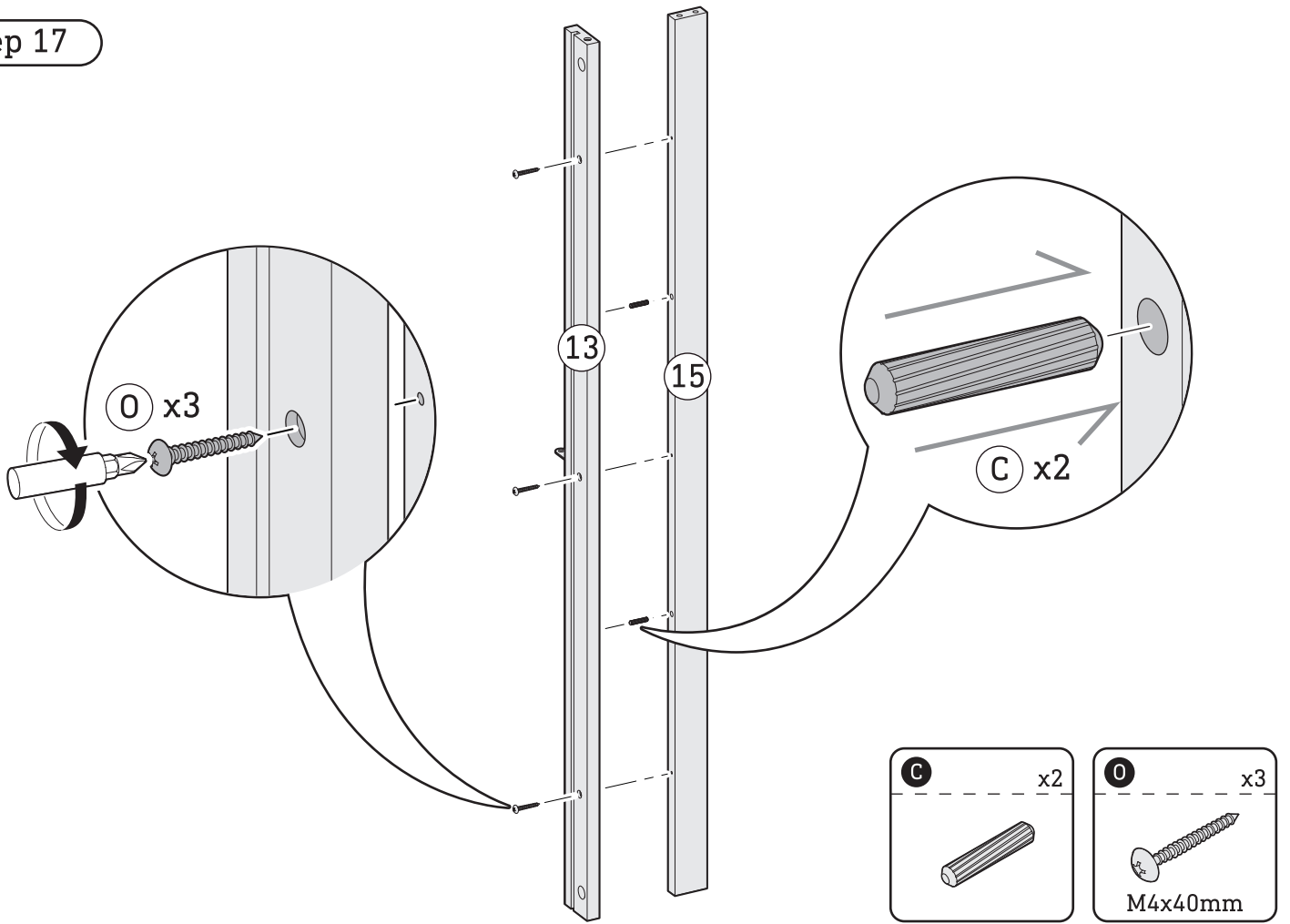
Step 15



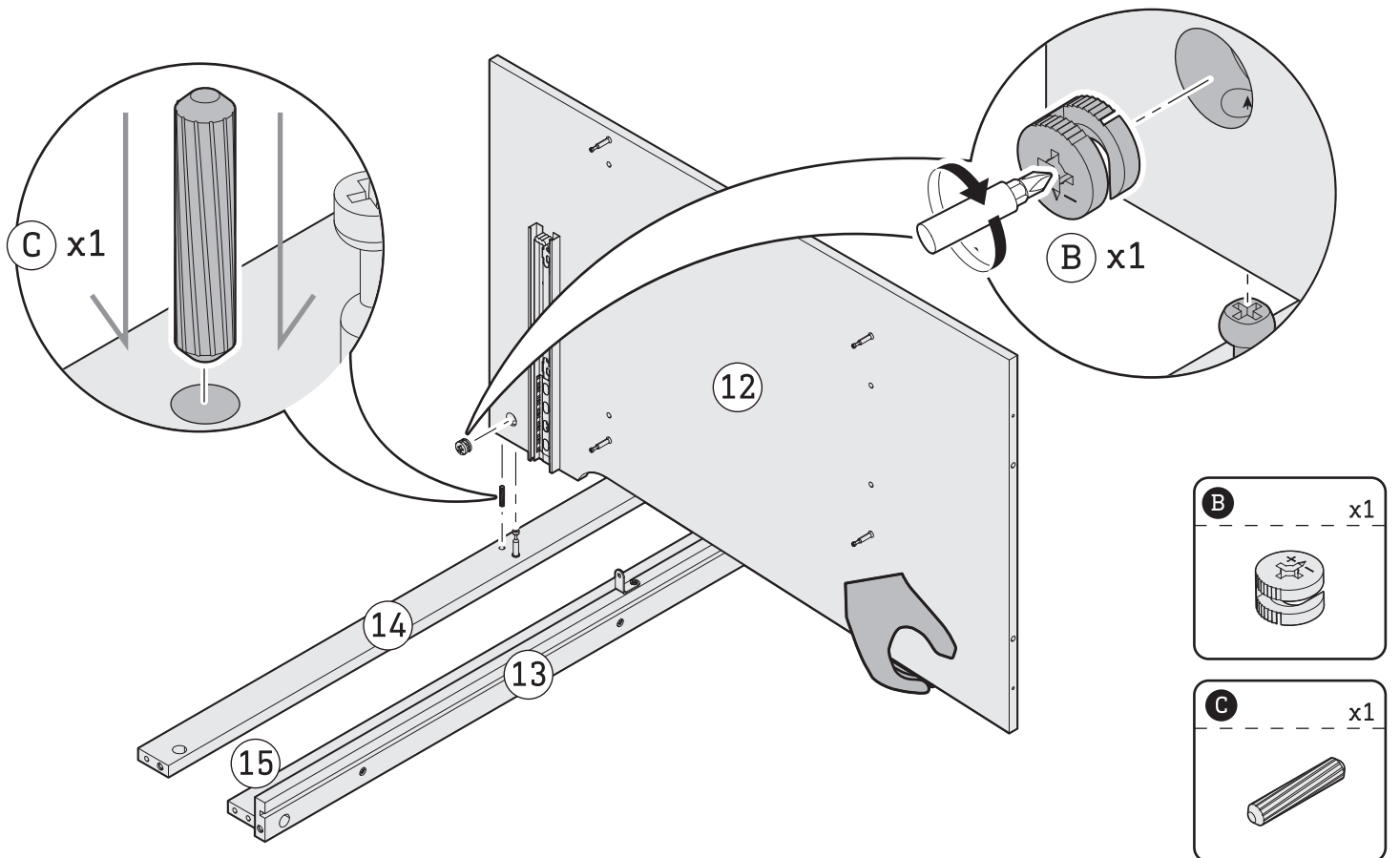
Step 16



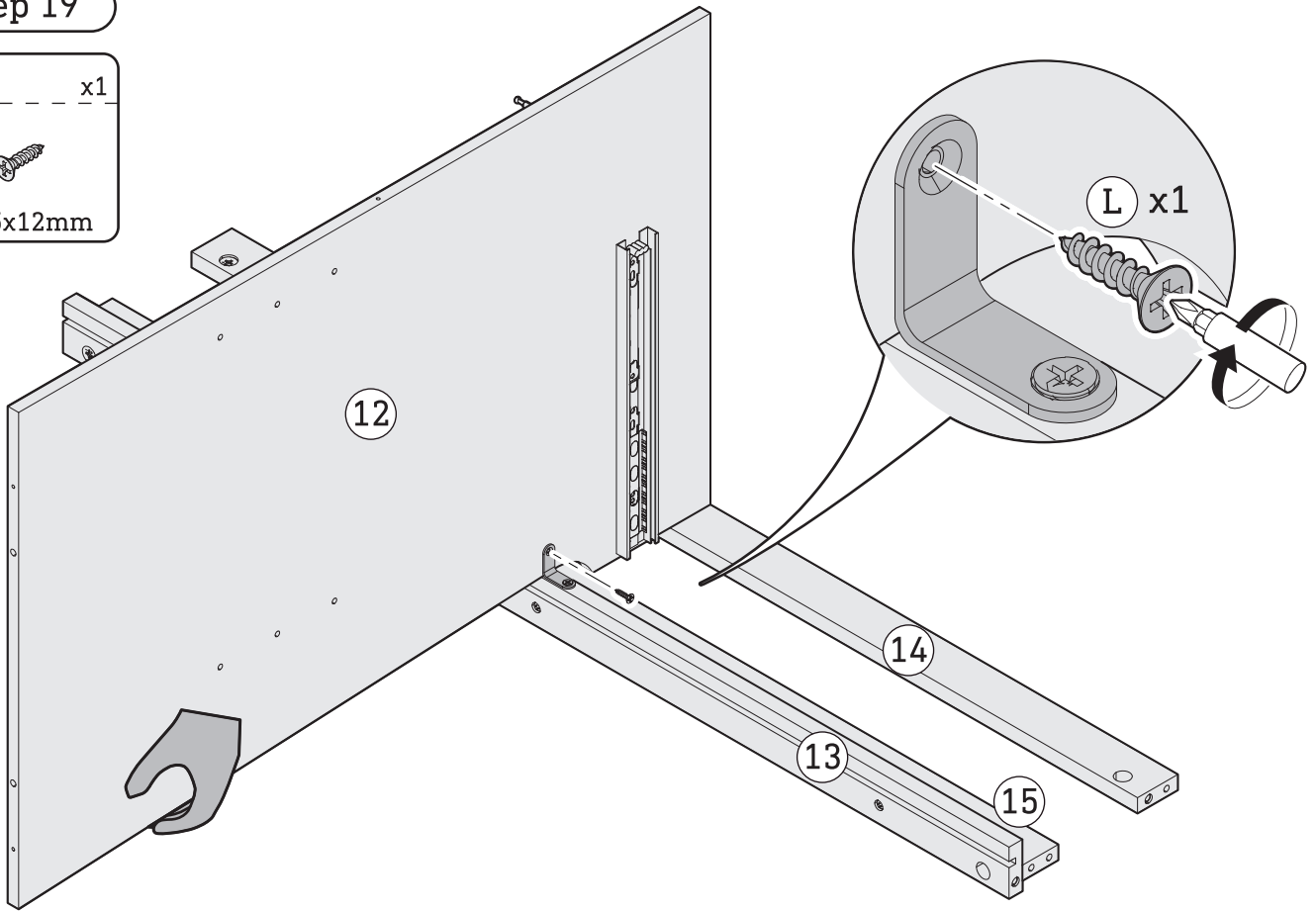
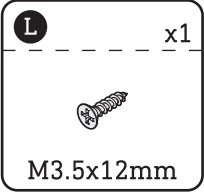
Step 17



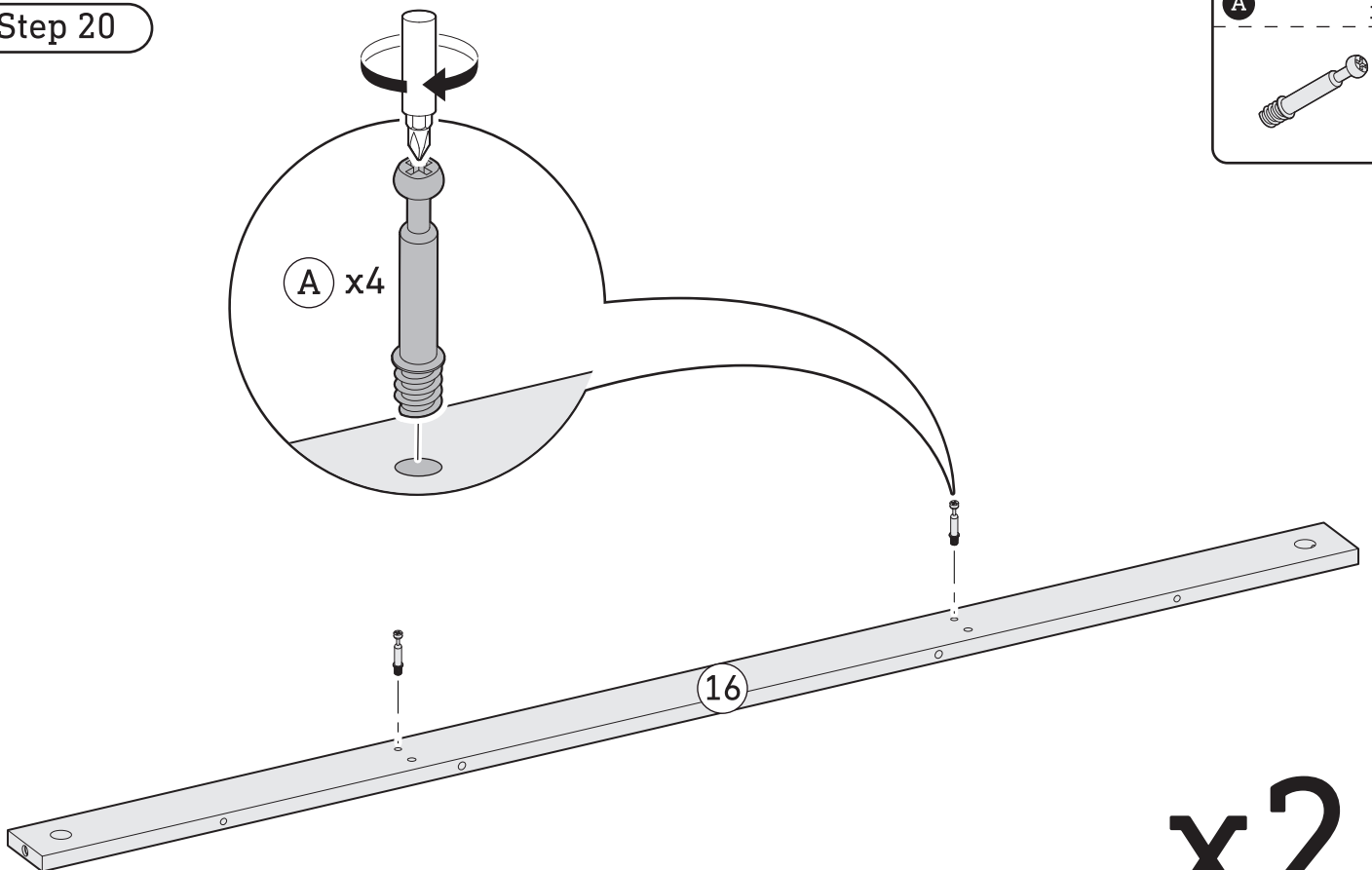
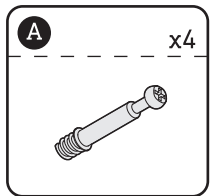
Step 18



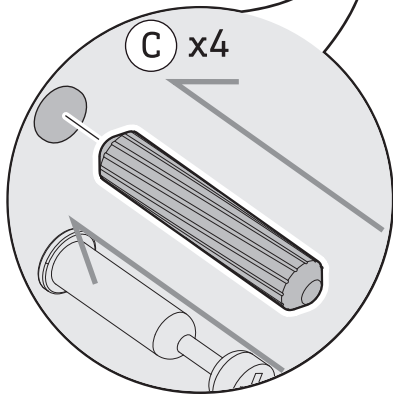
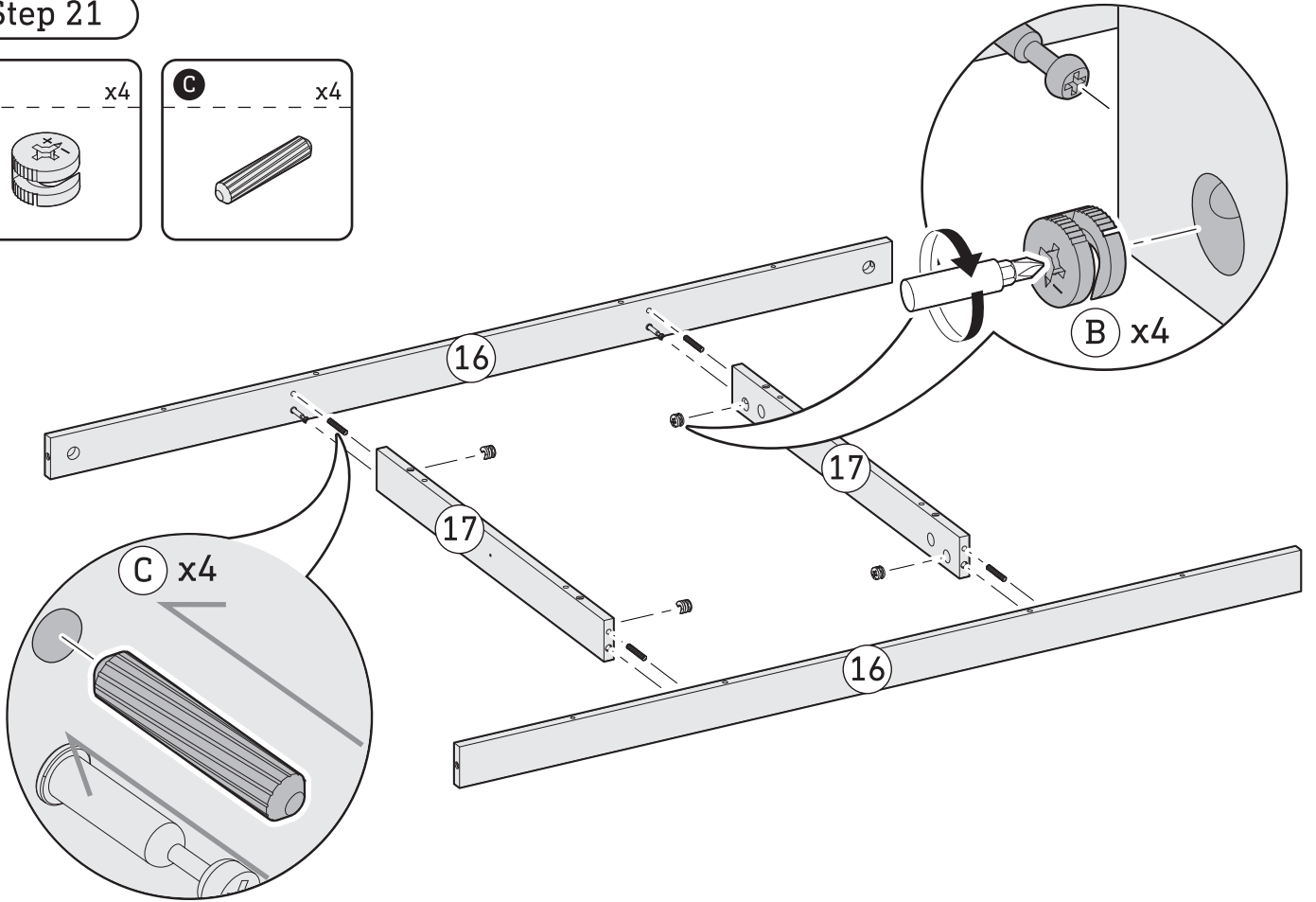
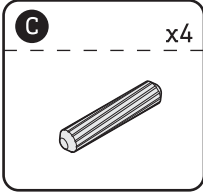
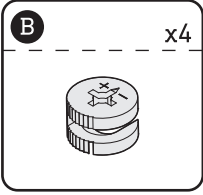
Step 19



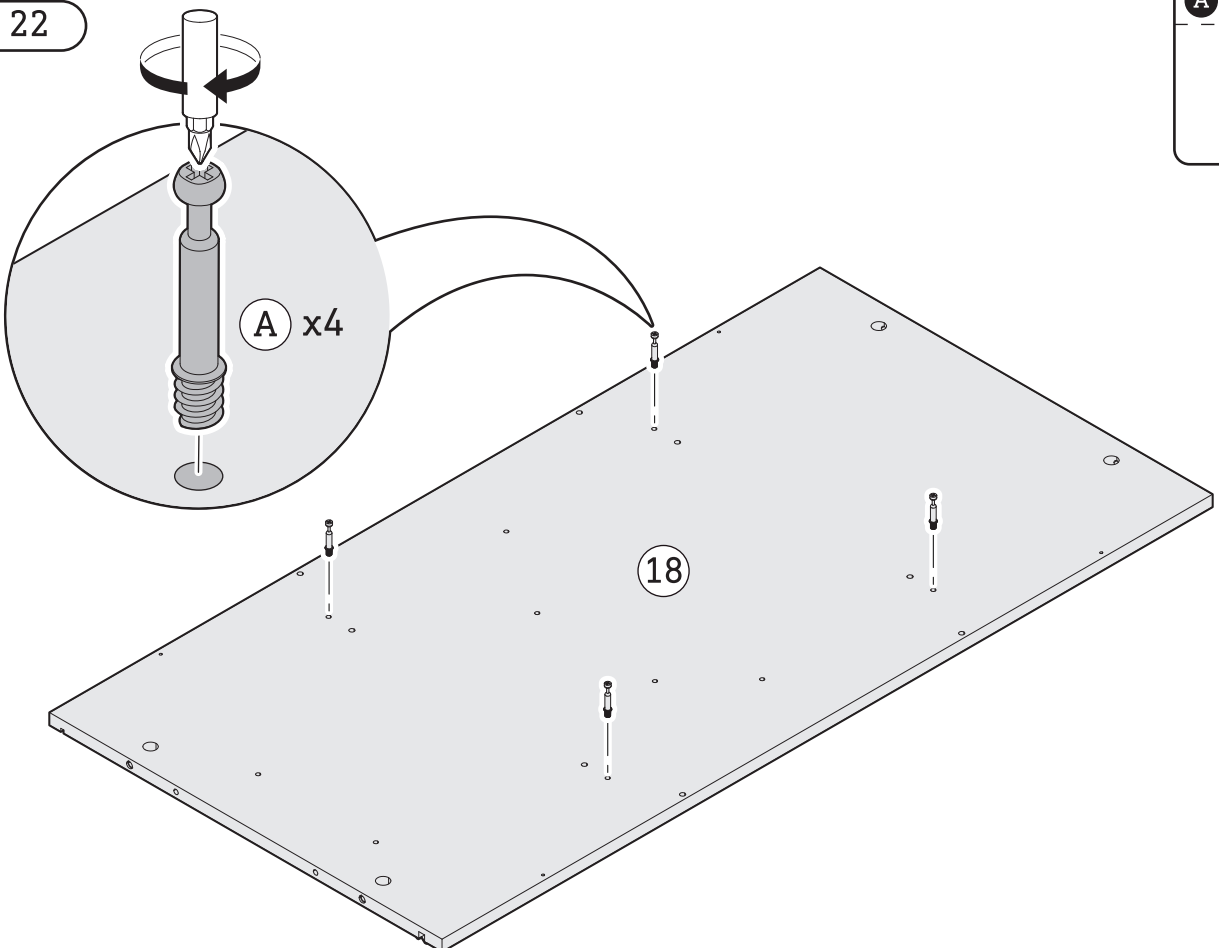
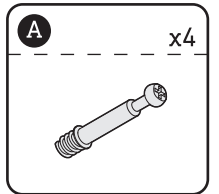
Step 20



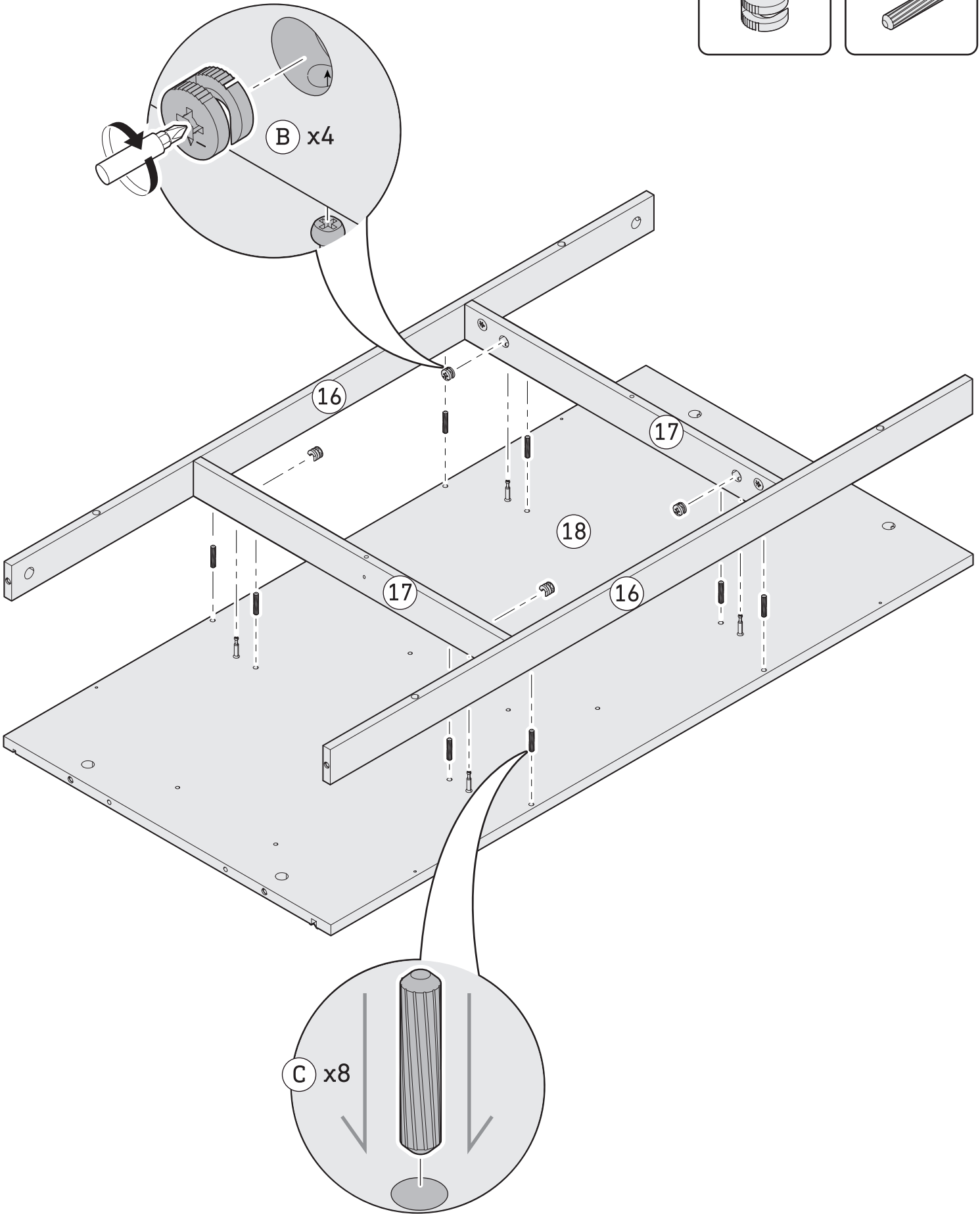
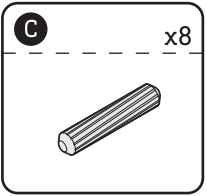
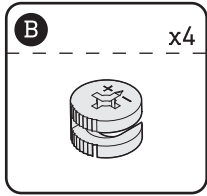
Step 21



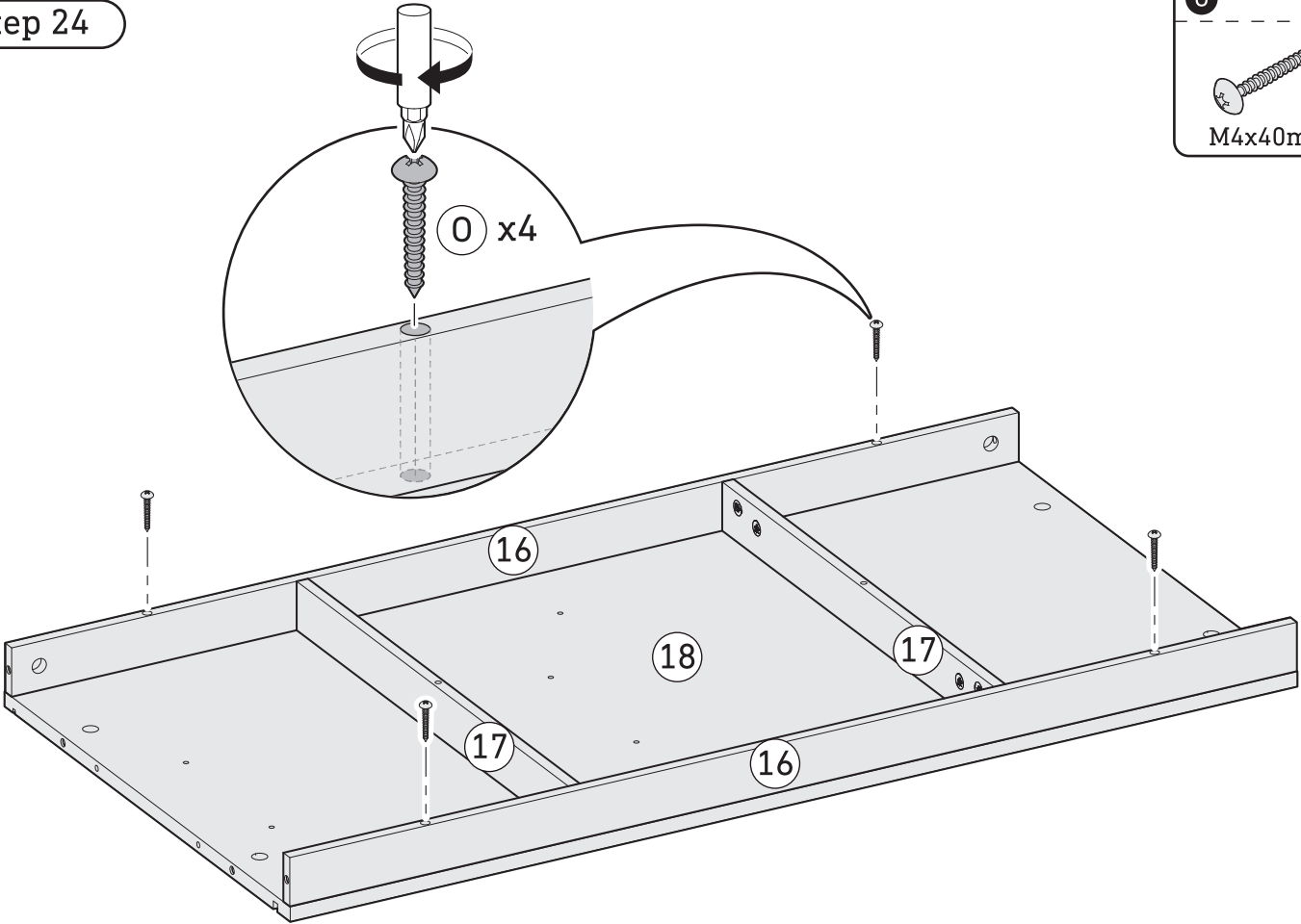
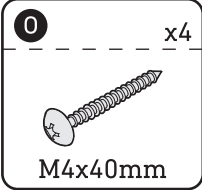
Step 22



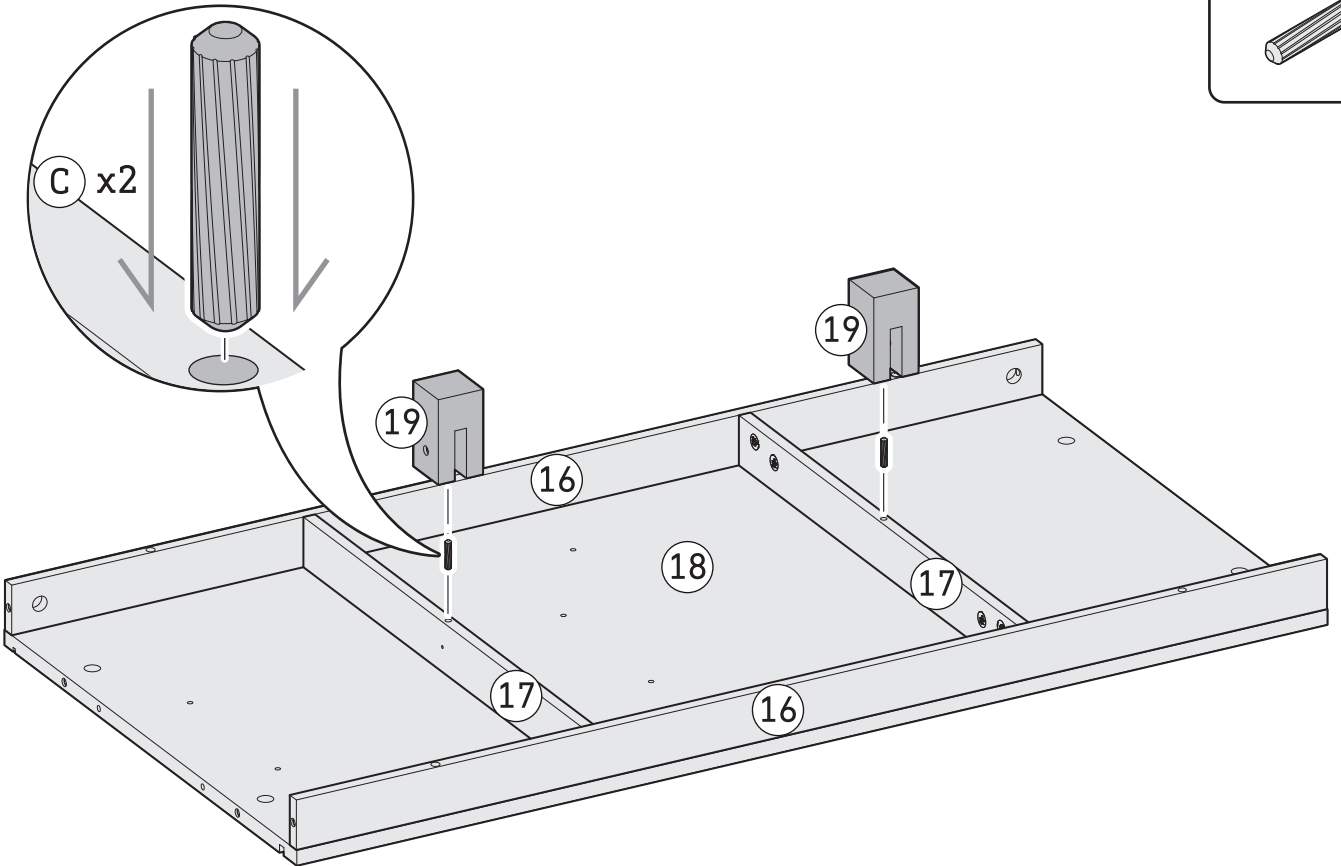
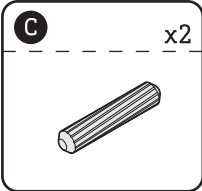
Step 23



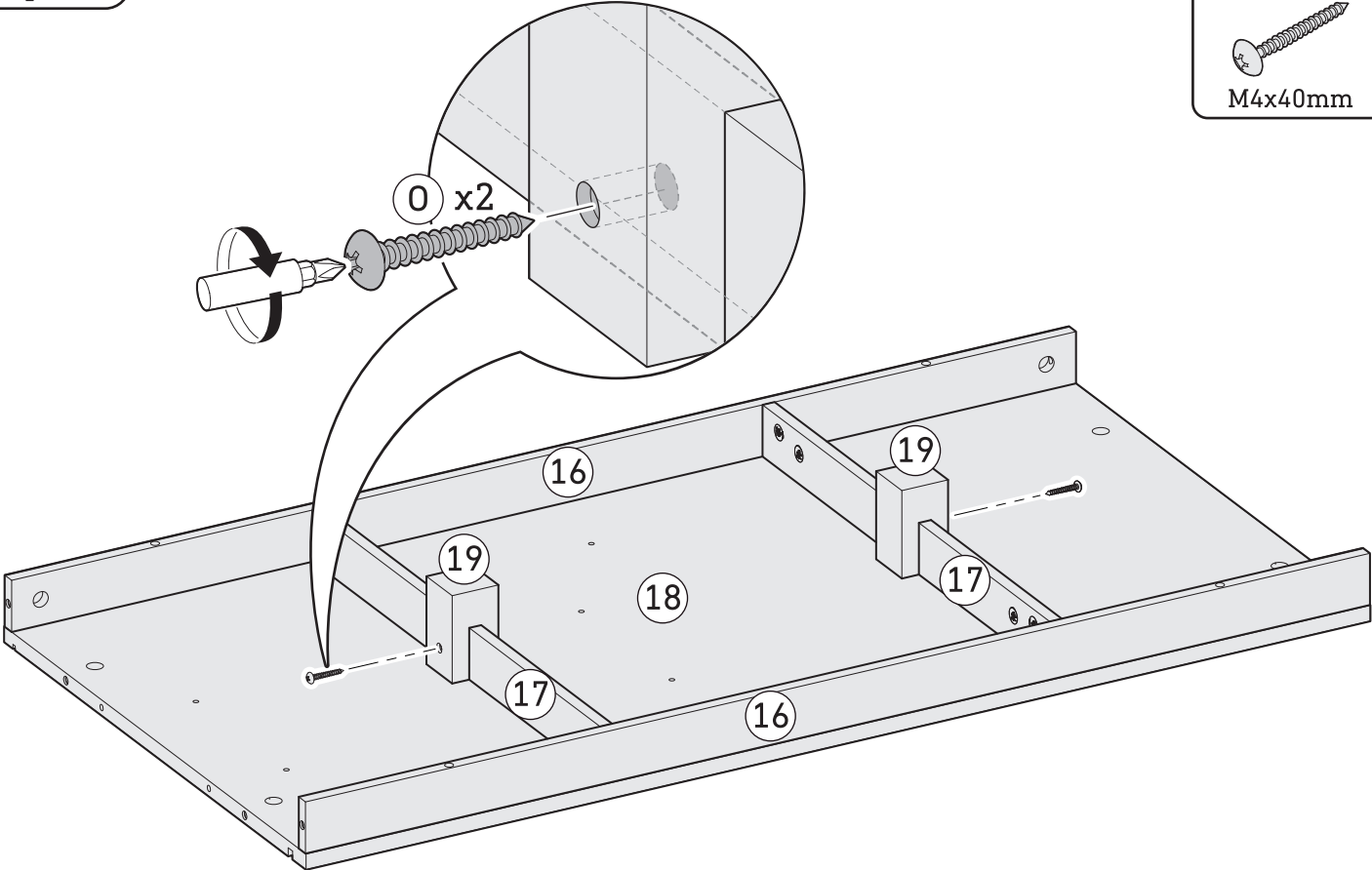
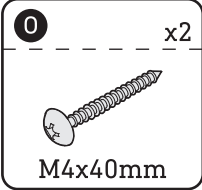
Step 24



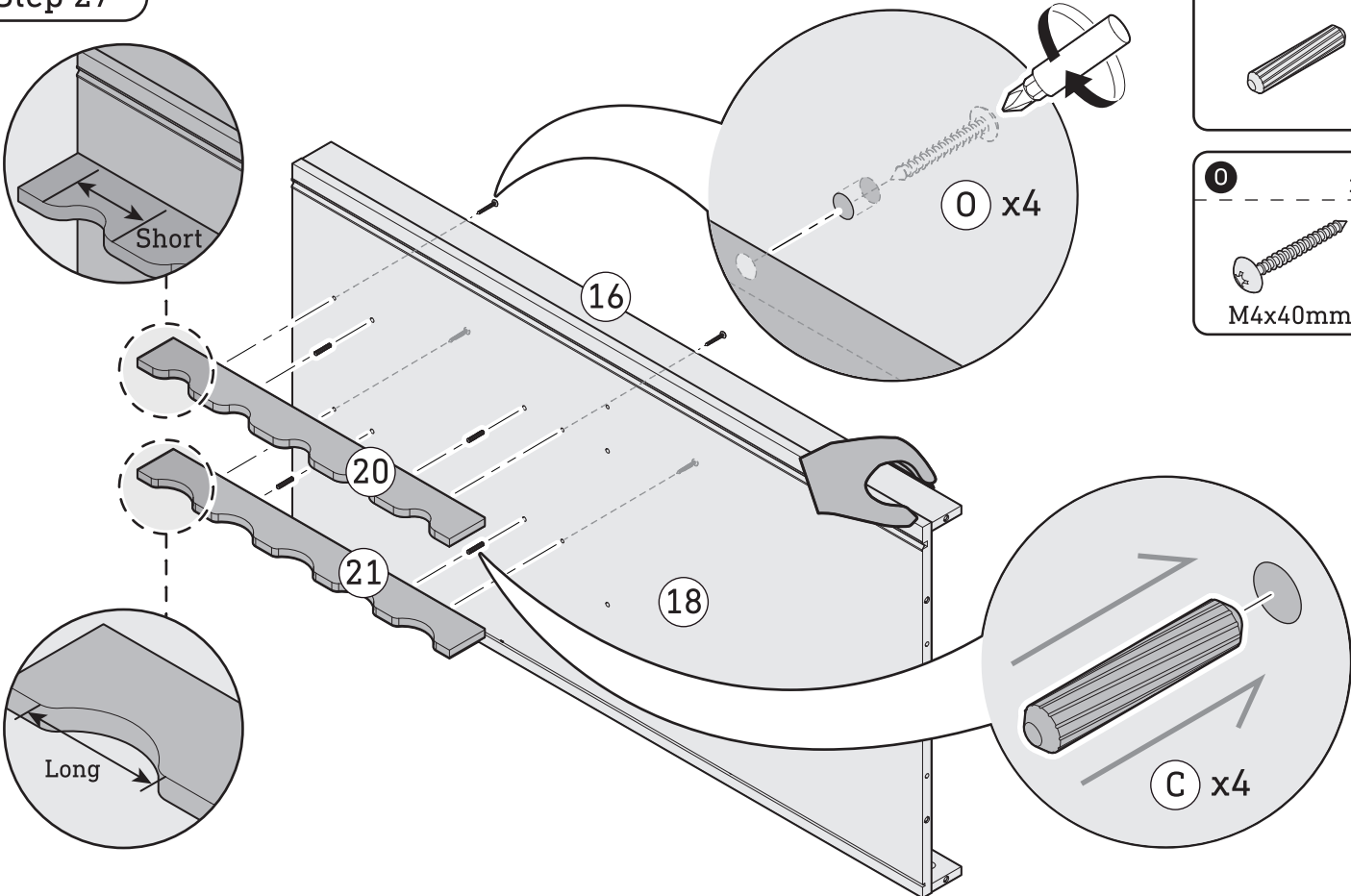
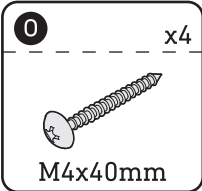
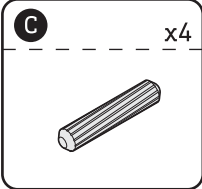
Step 25



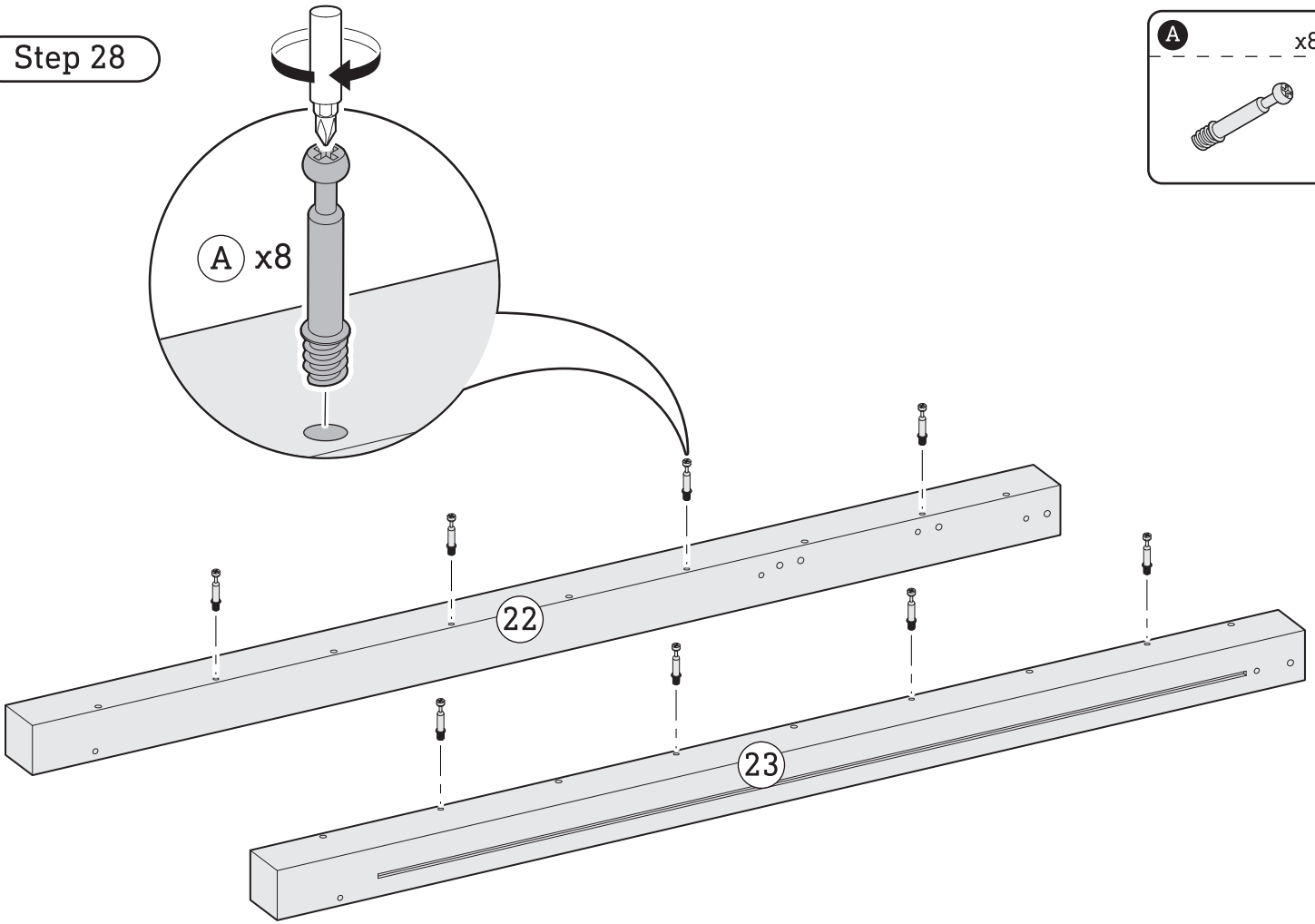
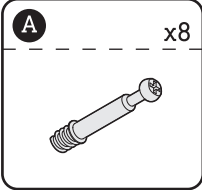
Step 26



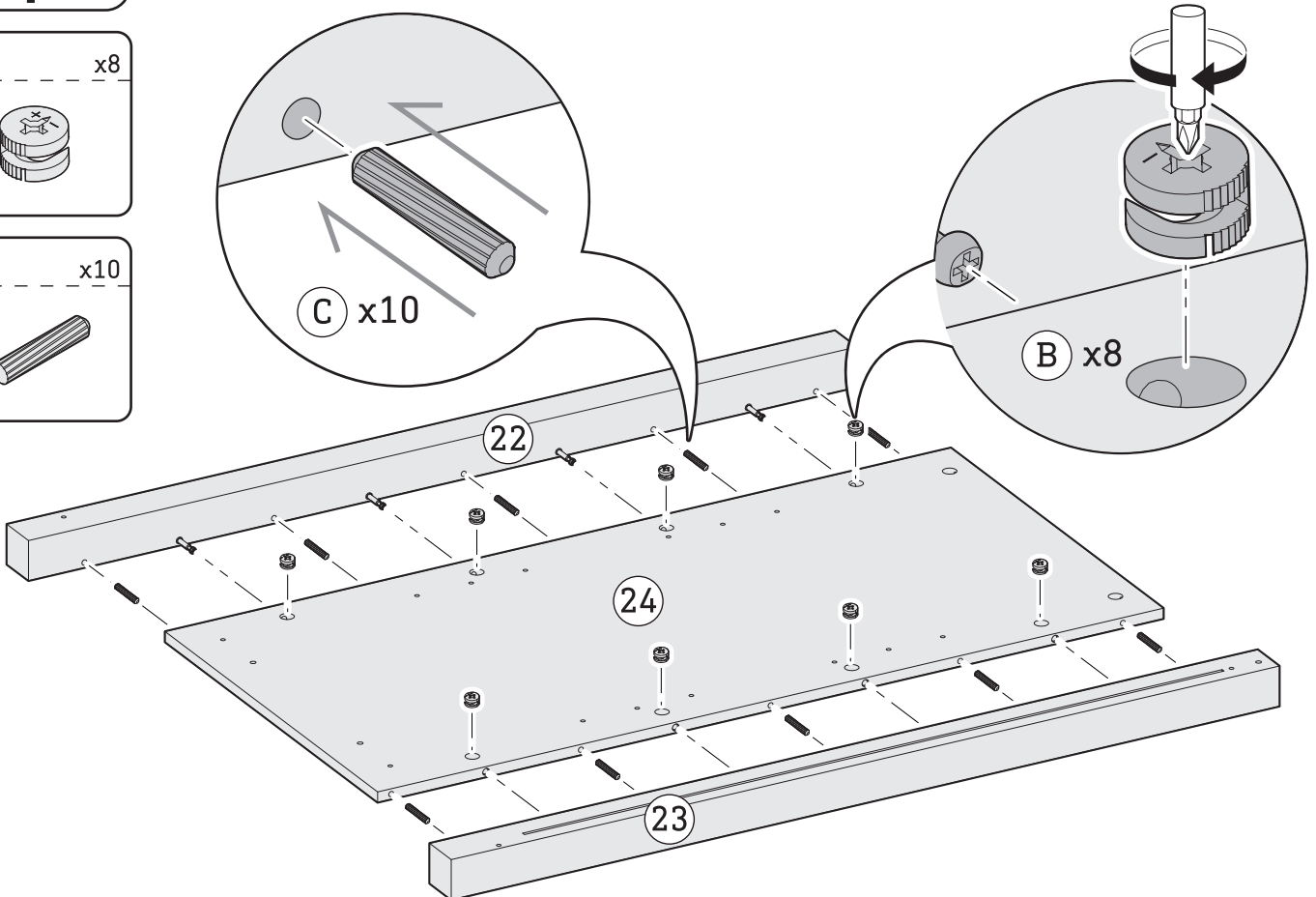
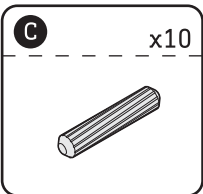
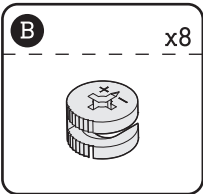
Step 27



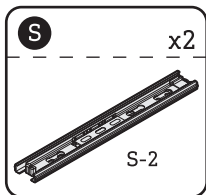
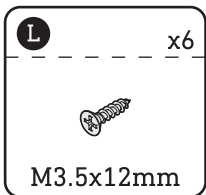
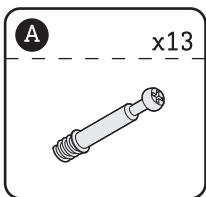
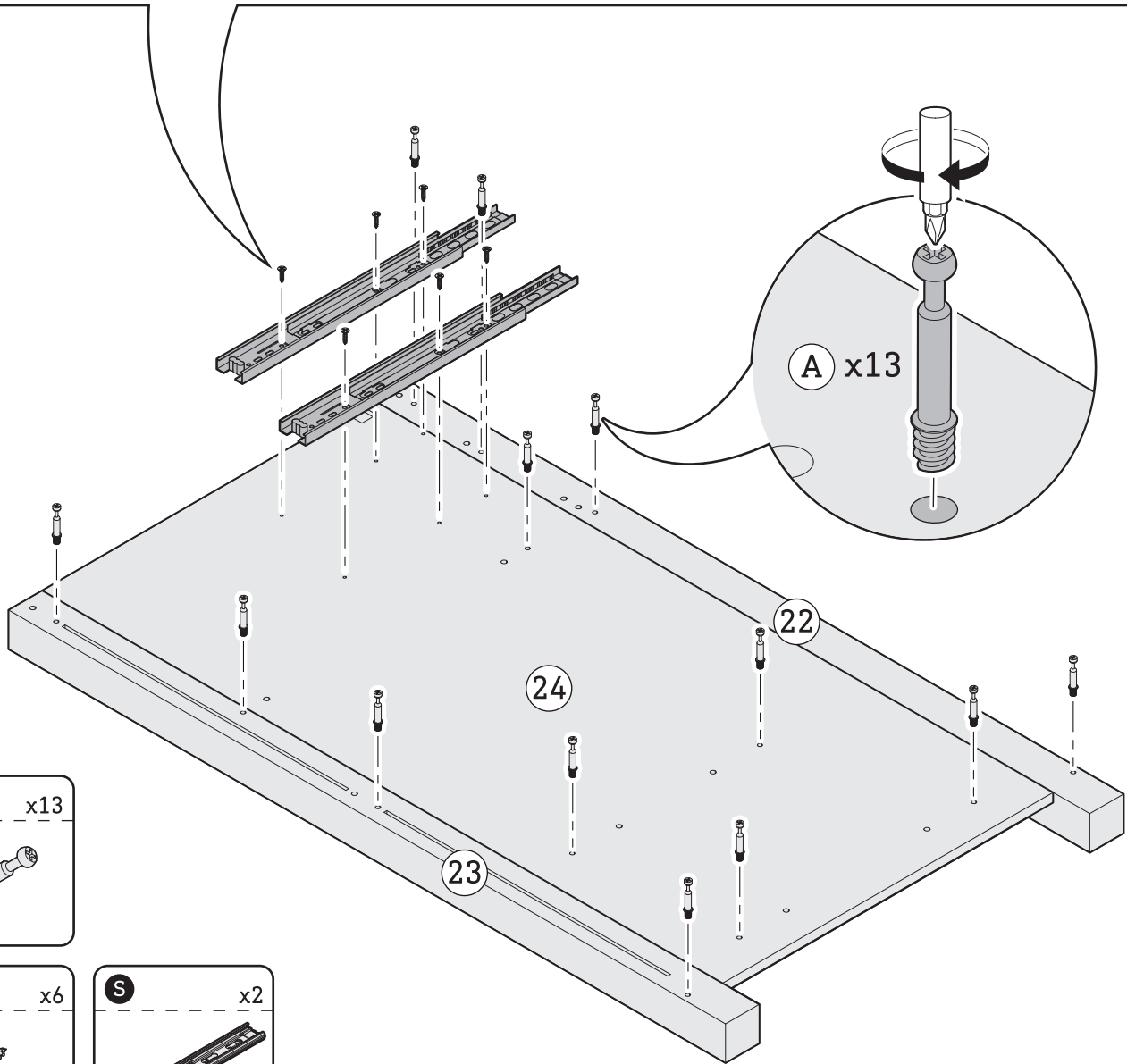
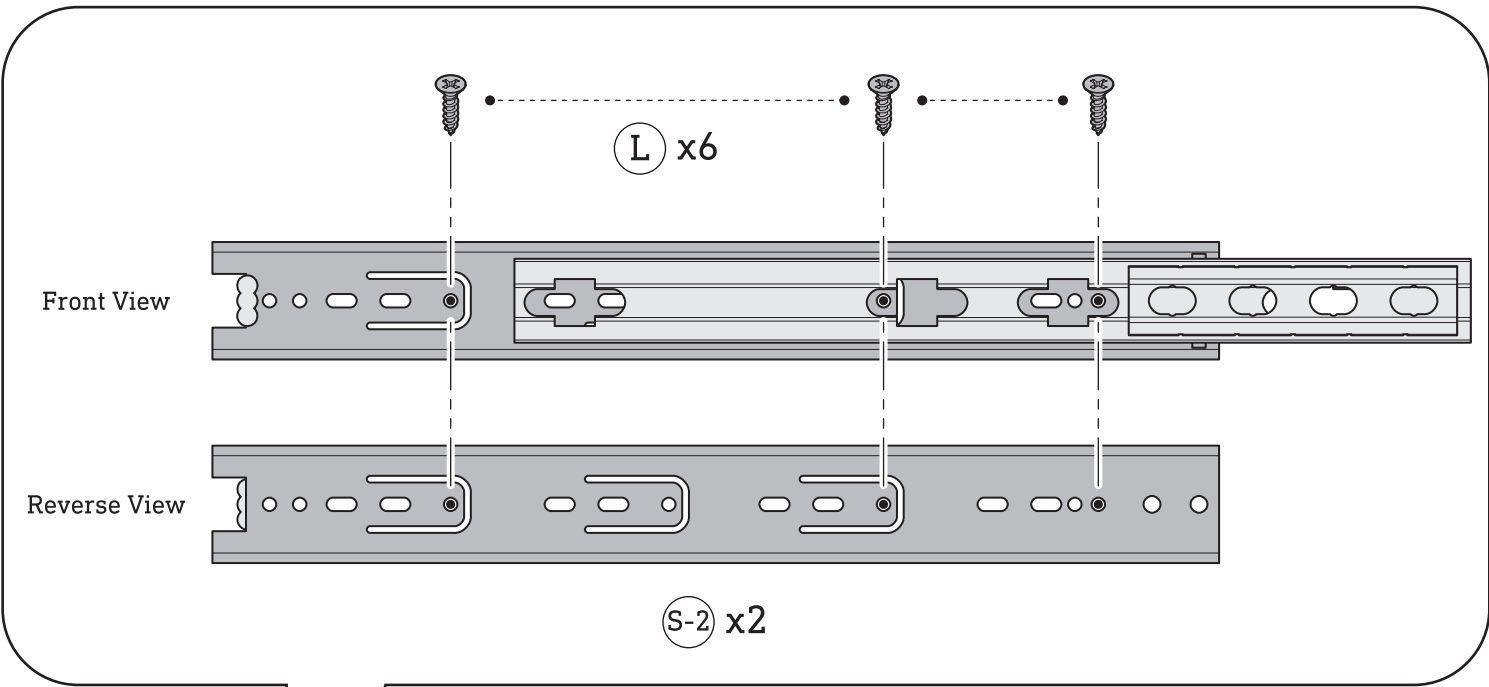
Step 28



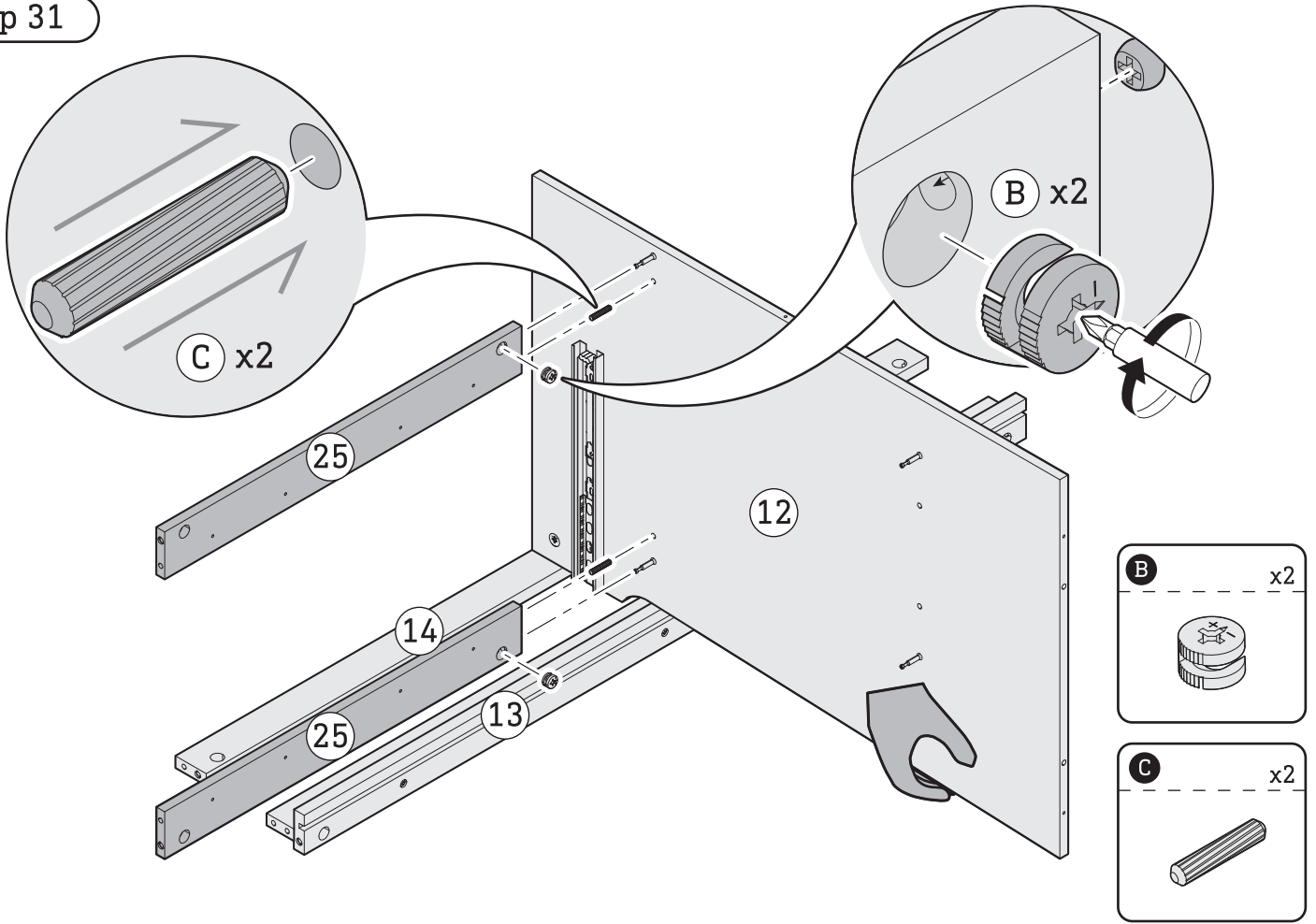
Step 29



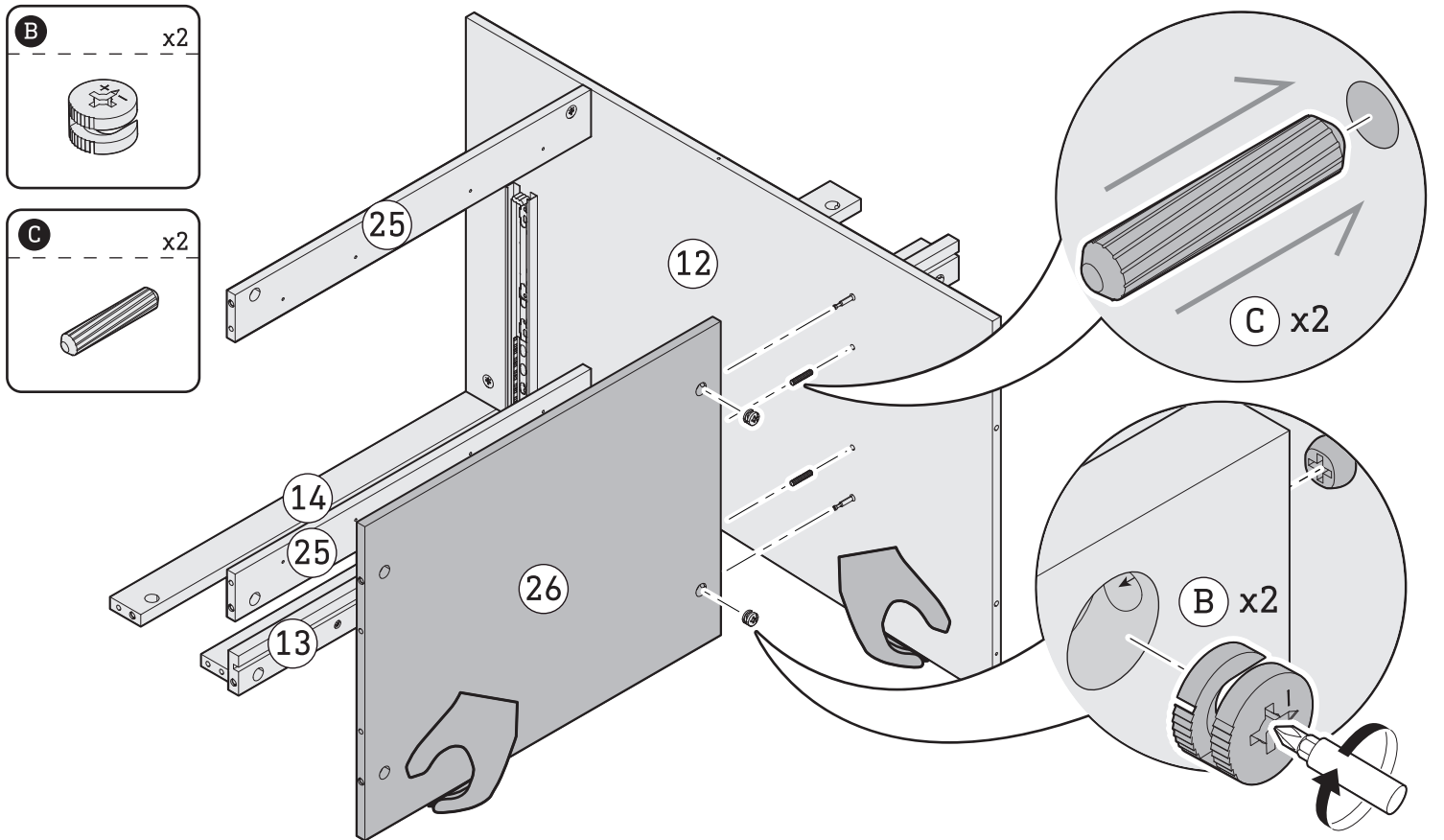
Step 30



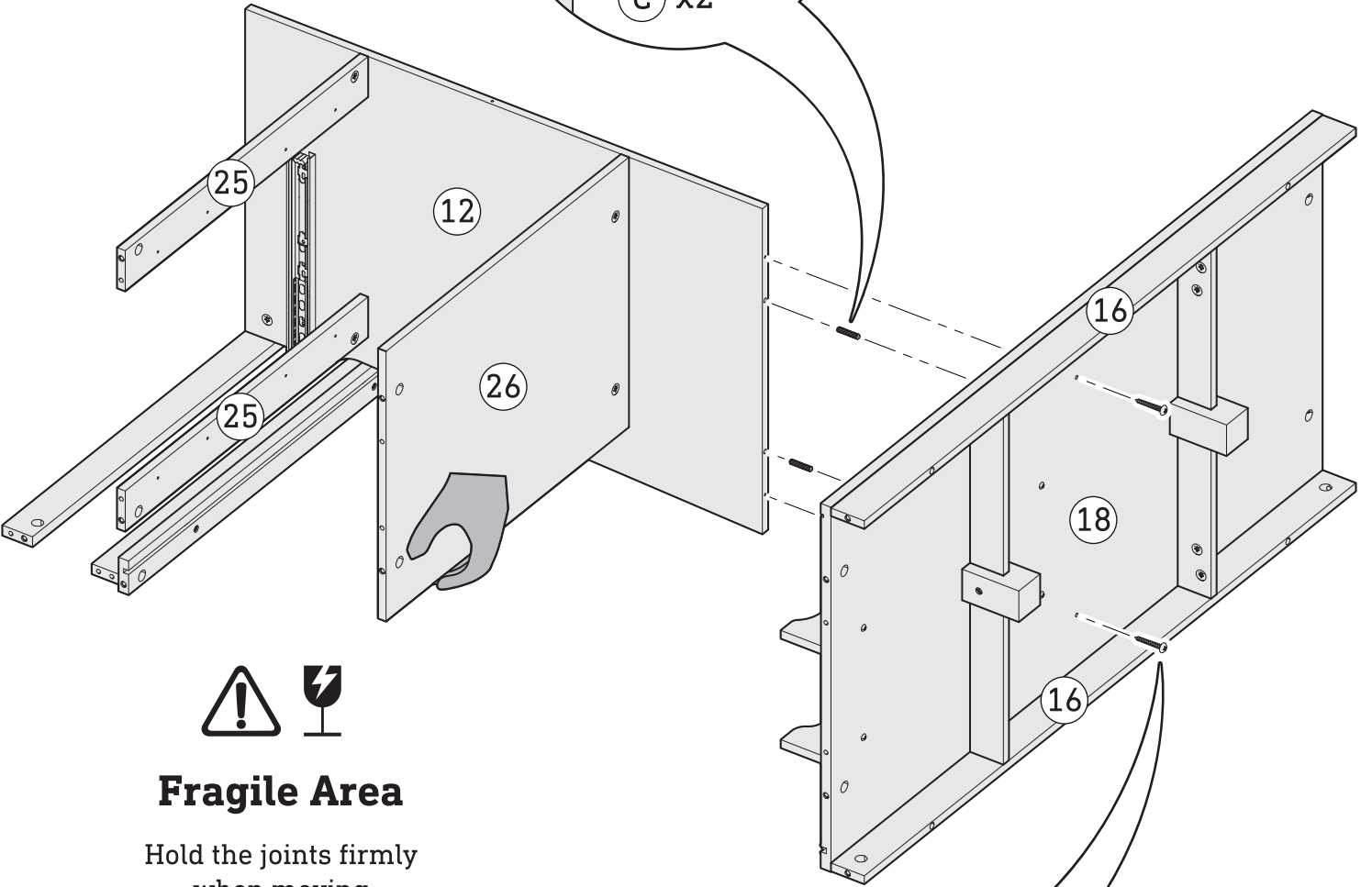
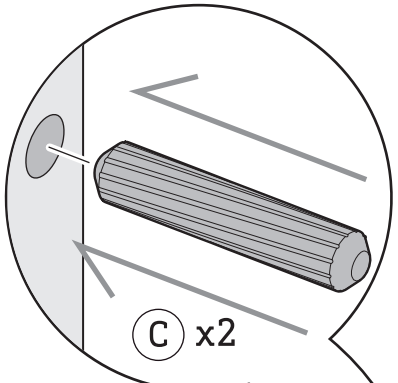
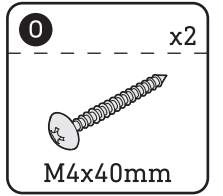
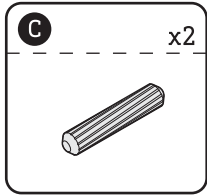
Step 31



Step 32

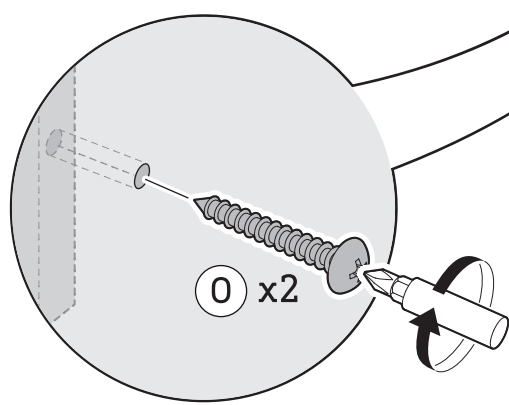


Step 33

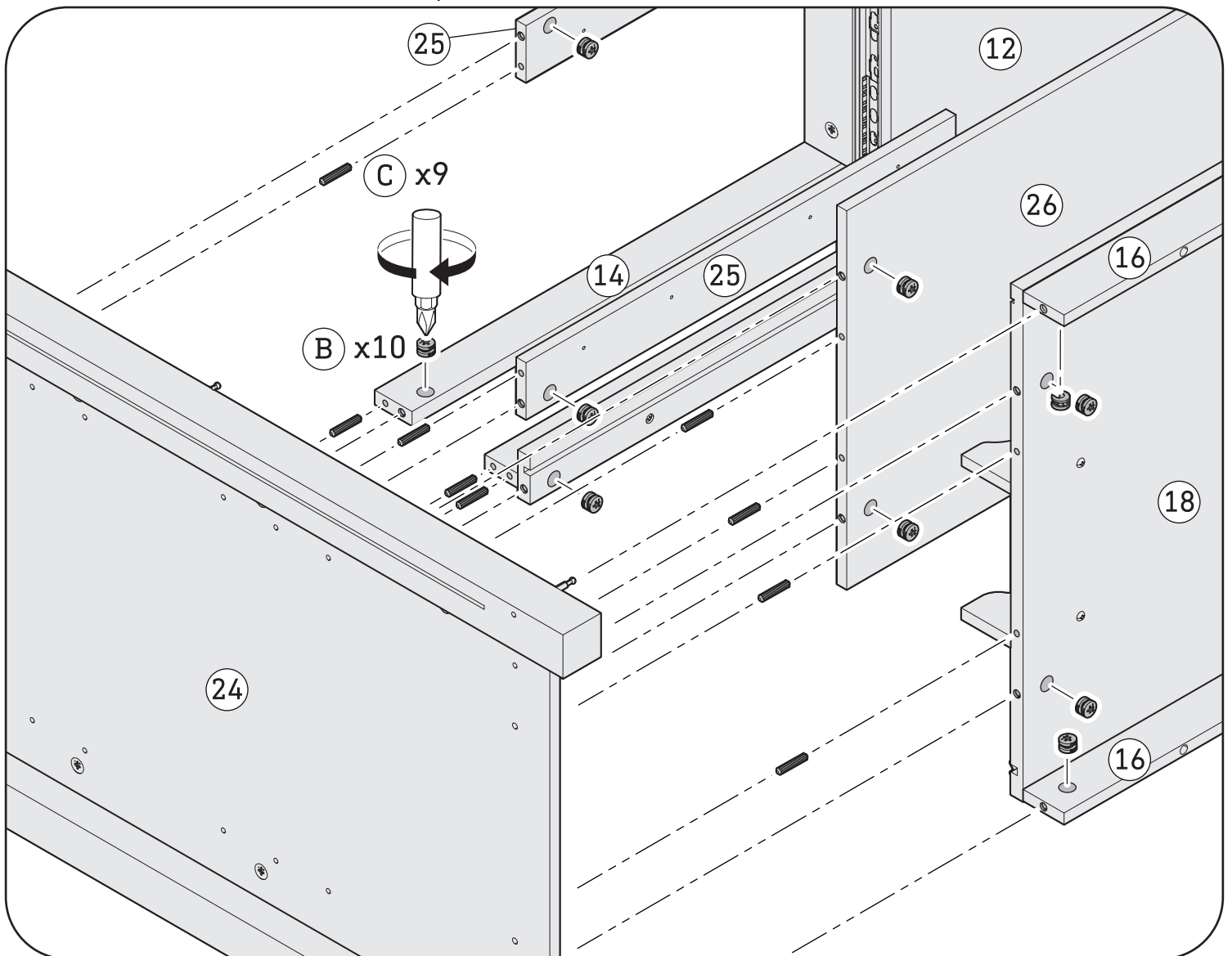
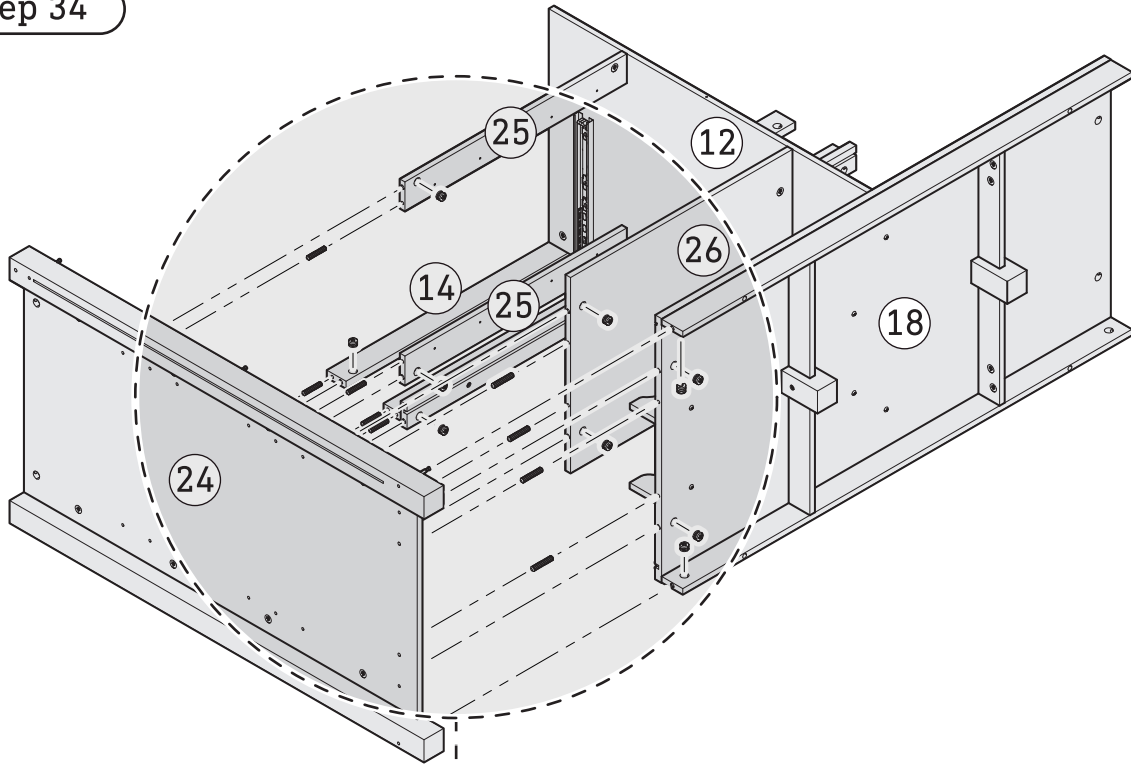
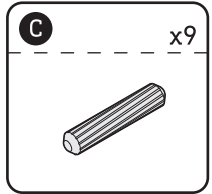
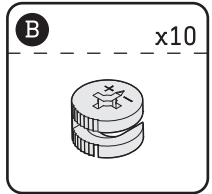


Fragile Area

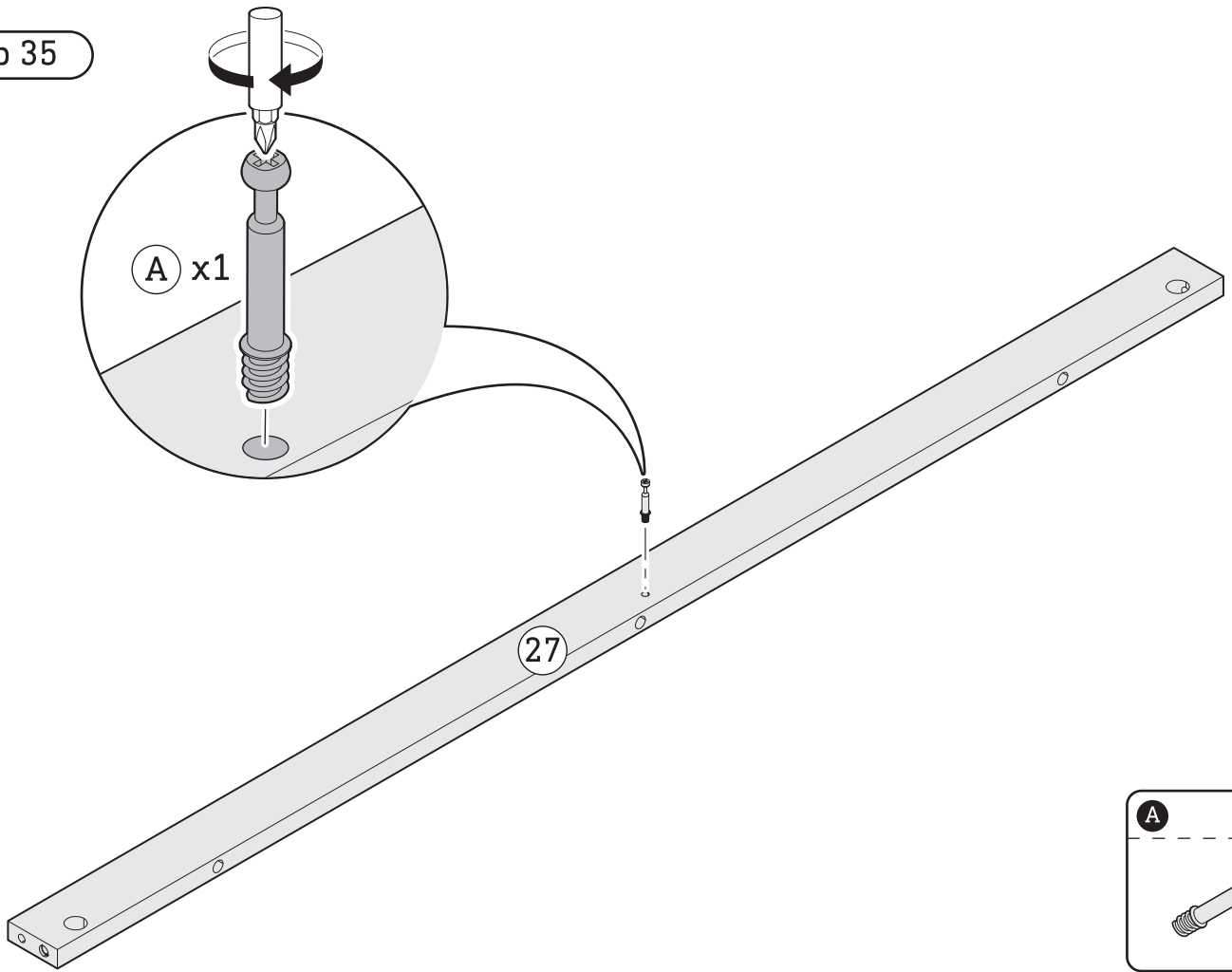
Hold the joints firmly when moving



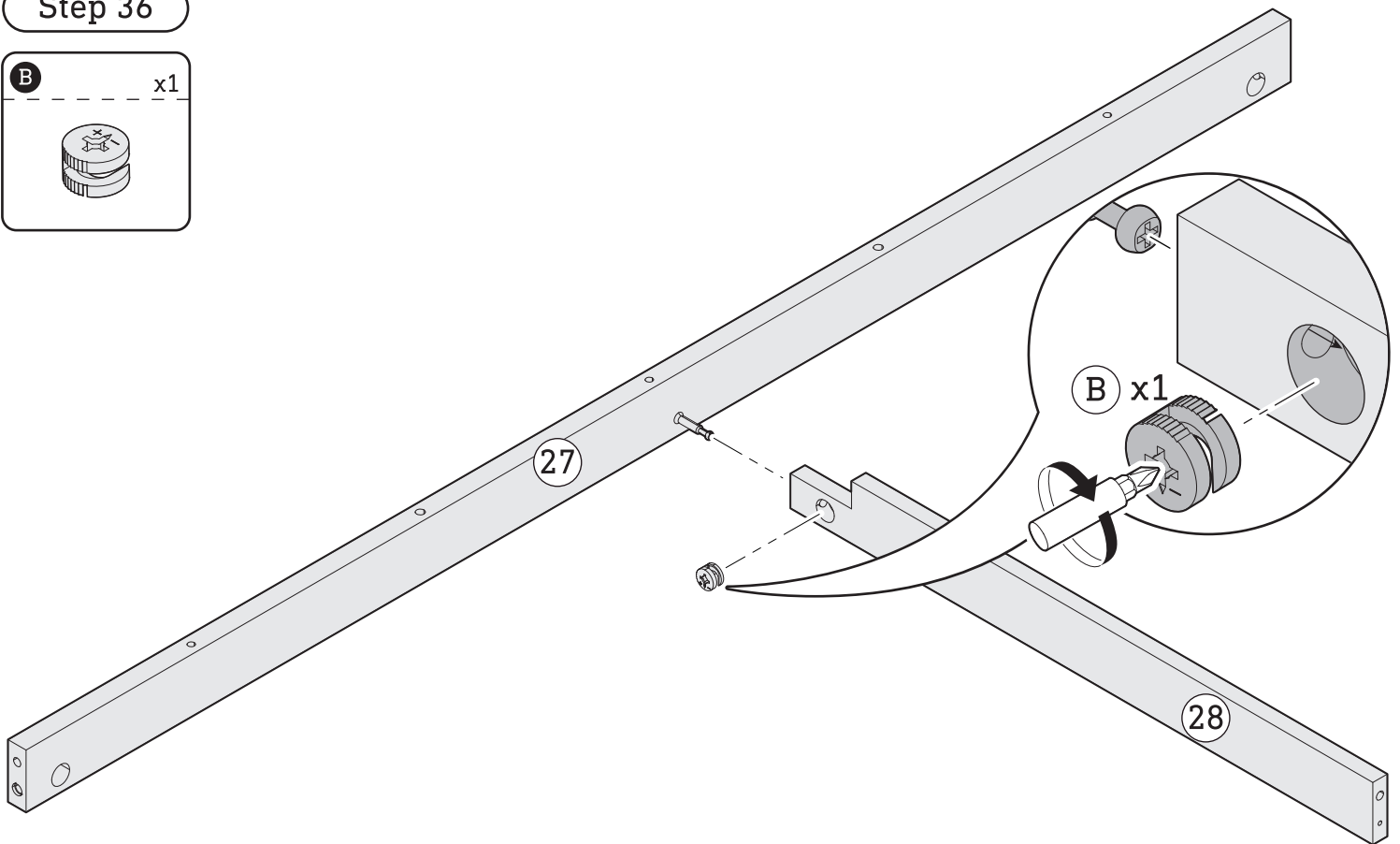
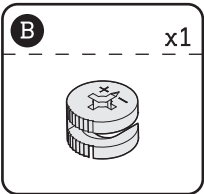
Step 34



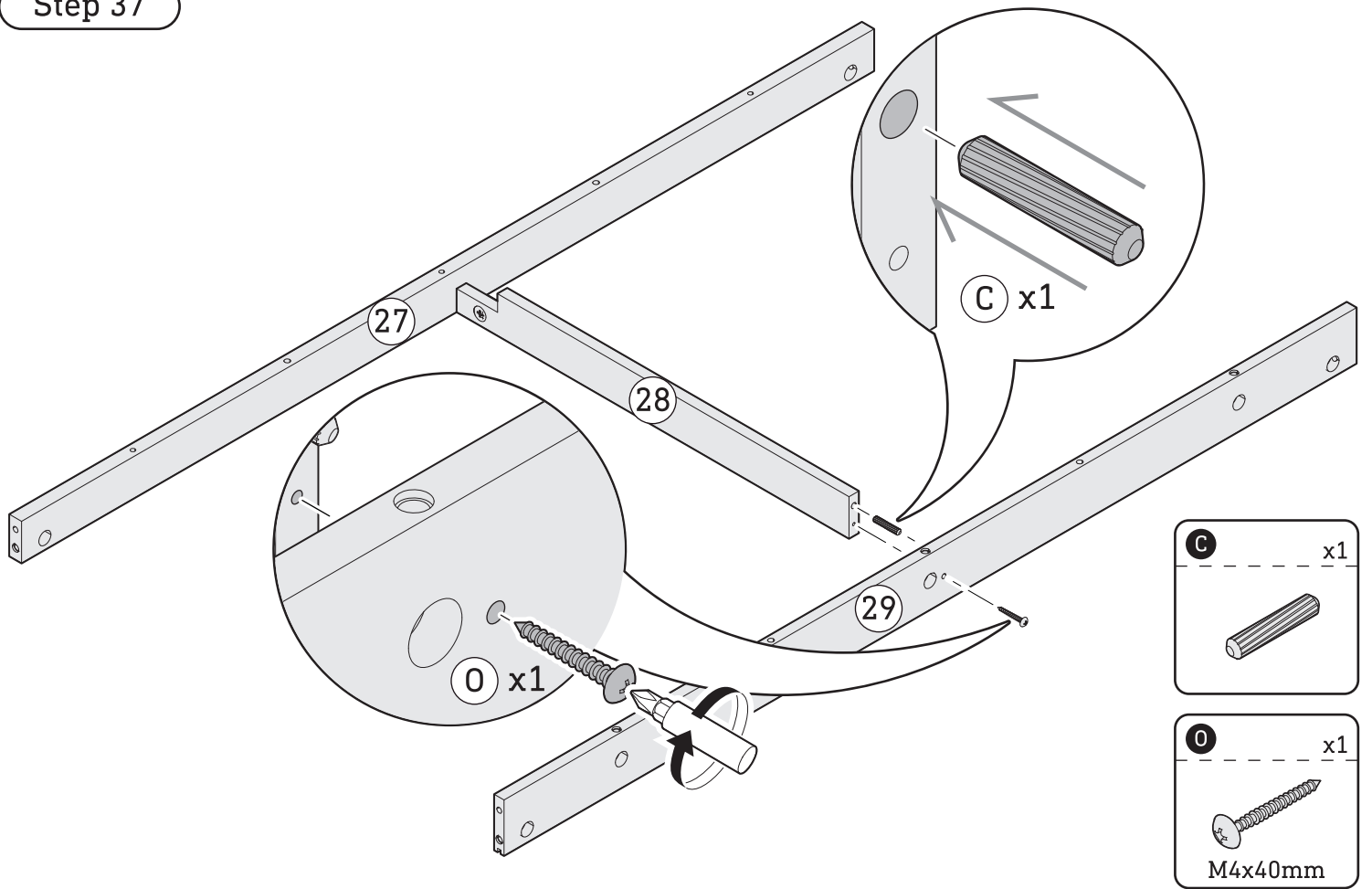
Step 35



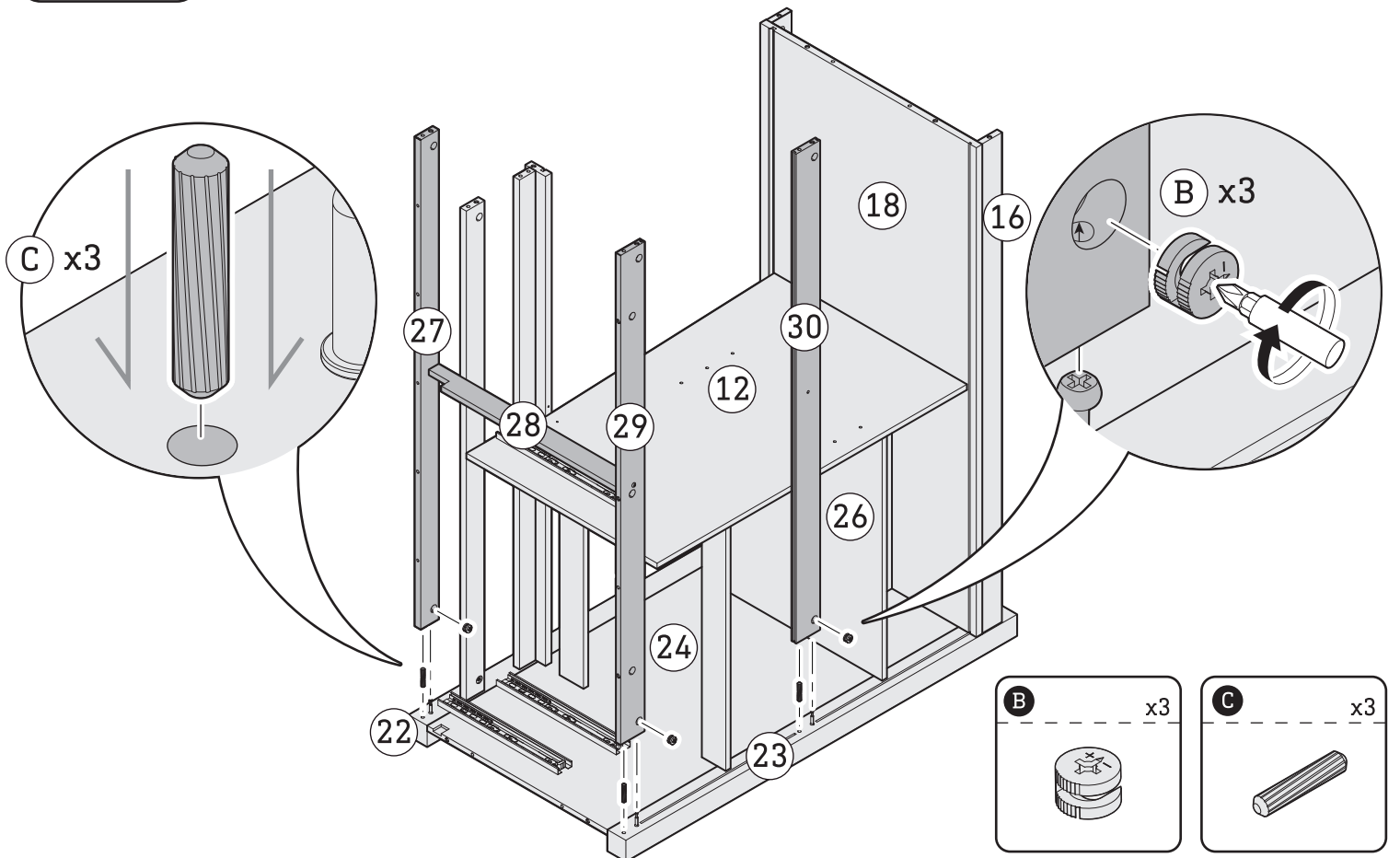
Step 36



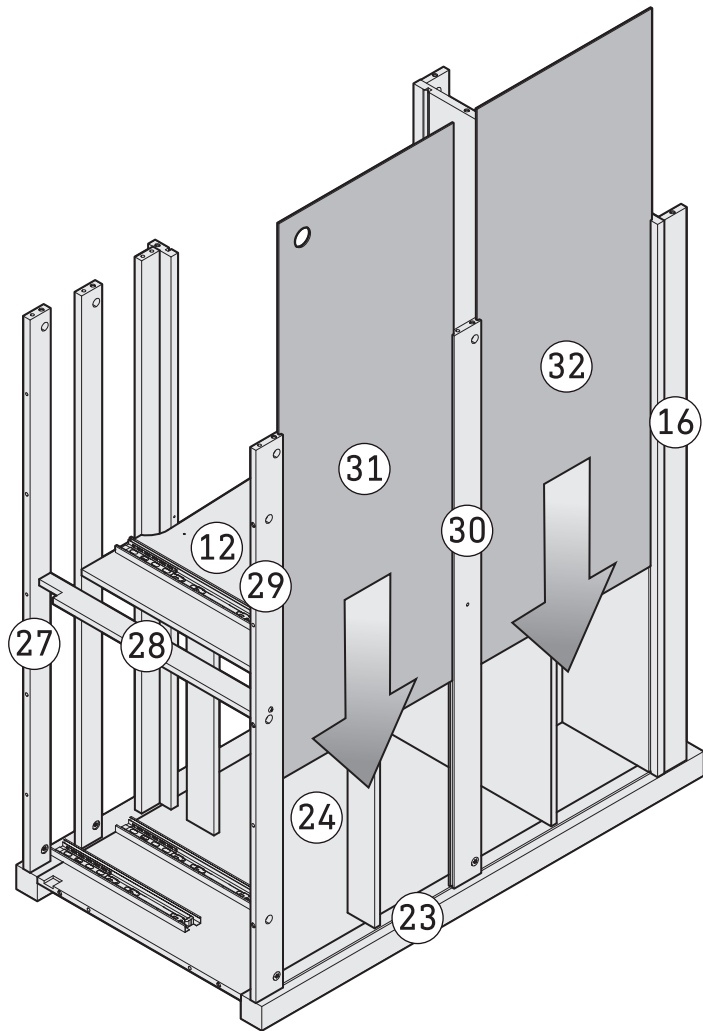
Step 37



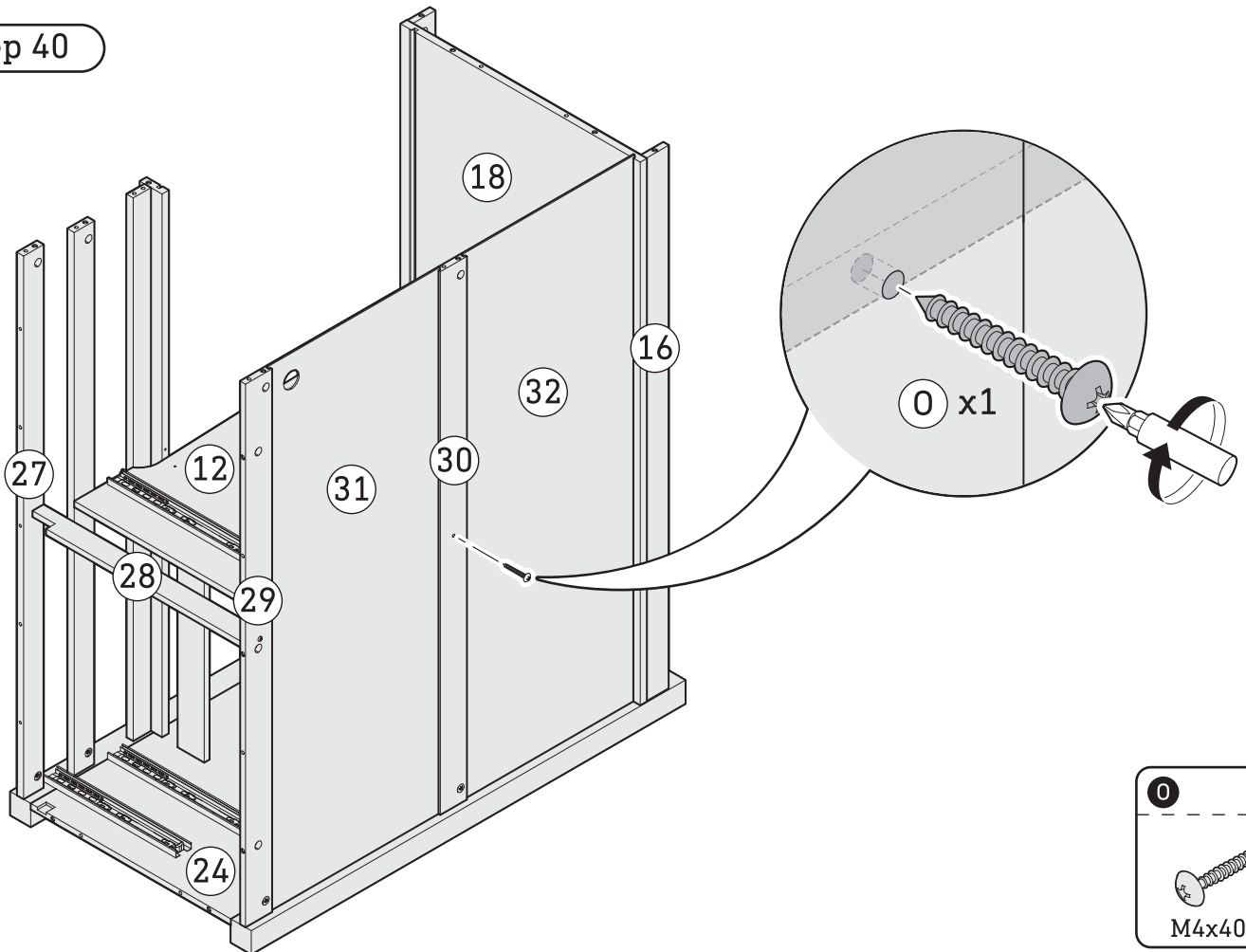
Step 38



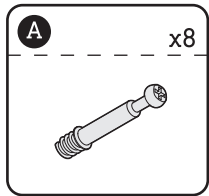
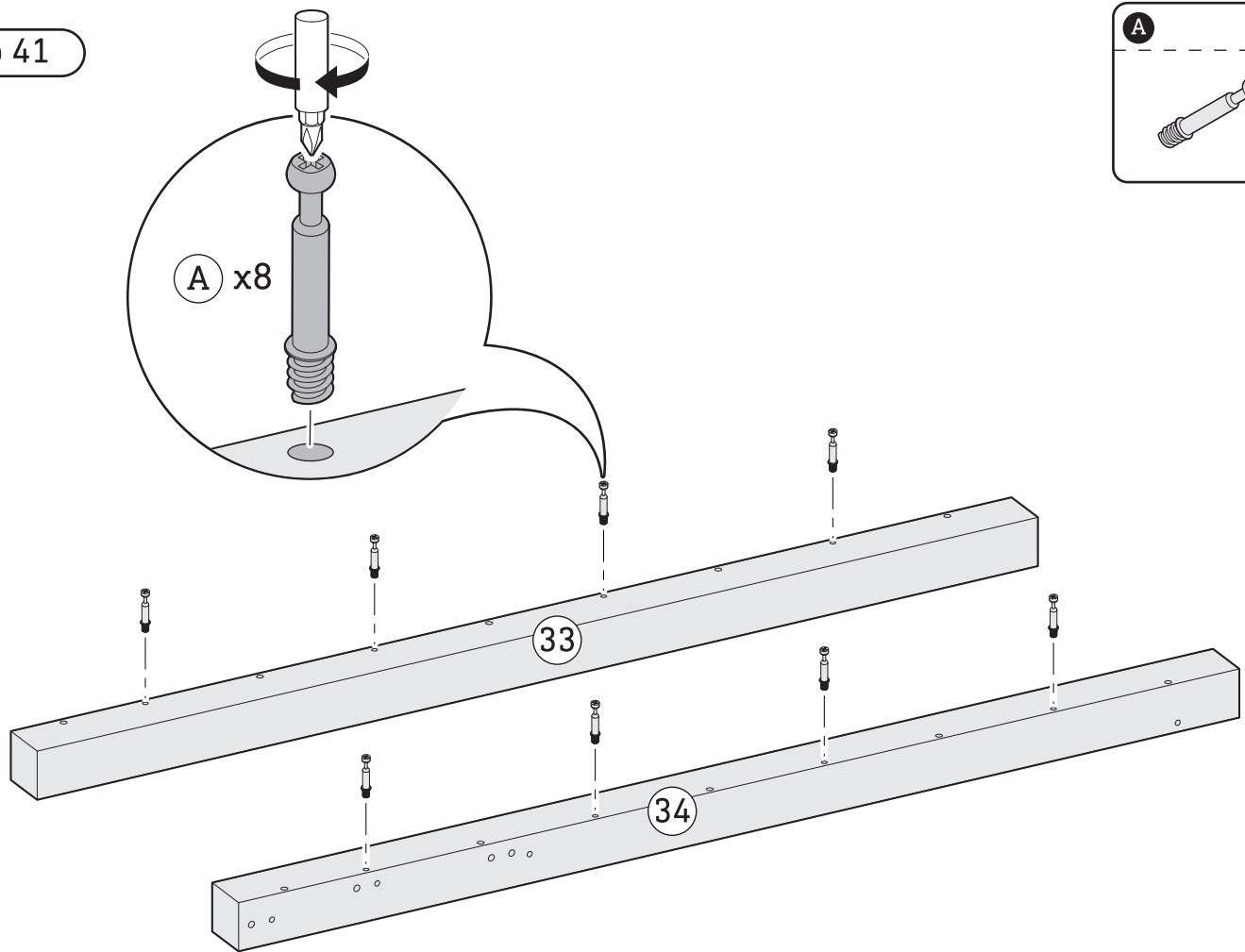
Step 39



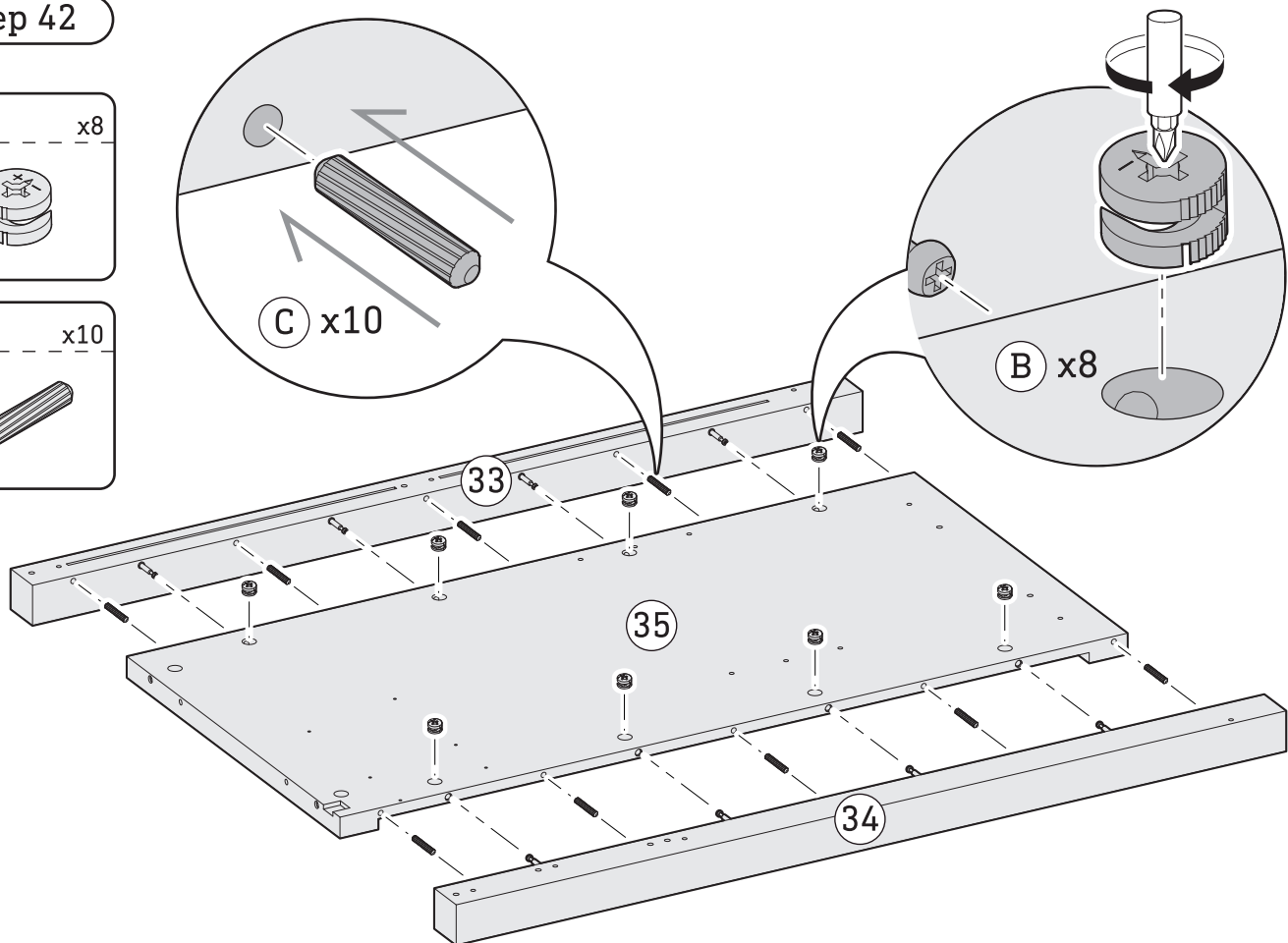
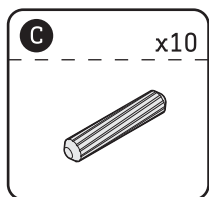
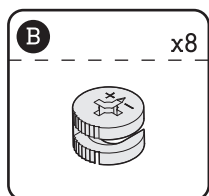
Step 40



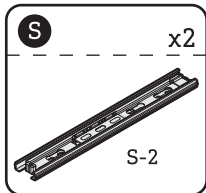
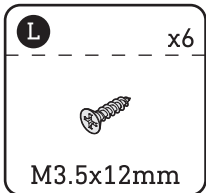
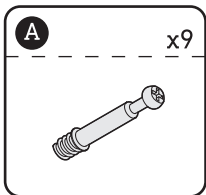
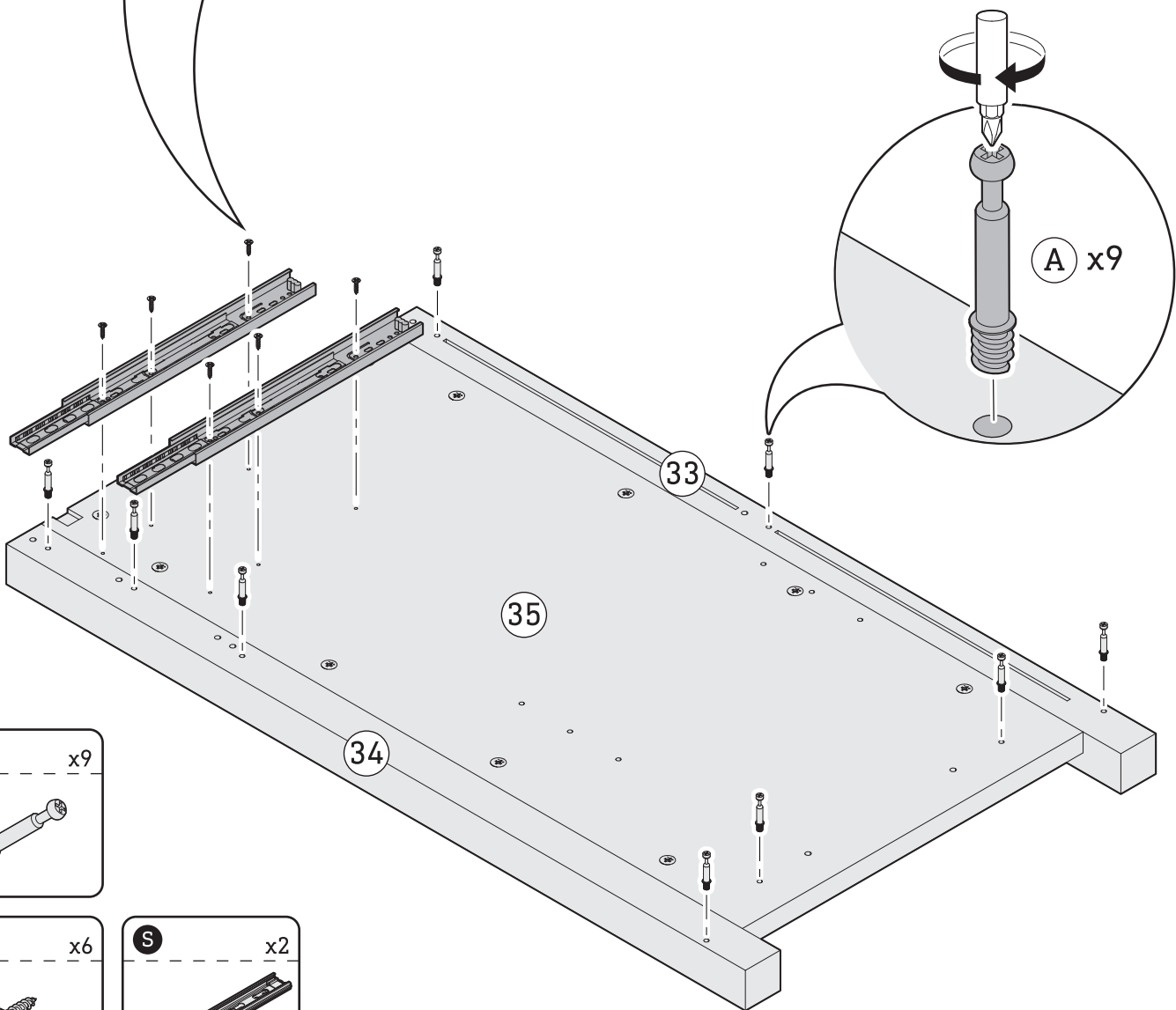
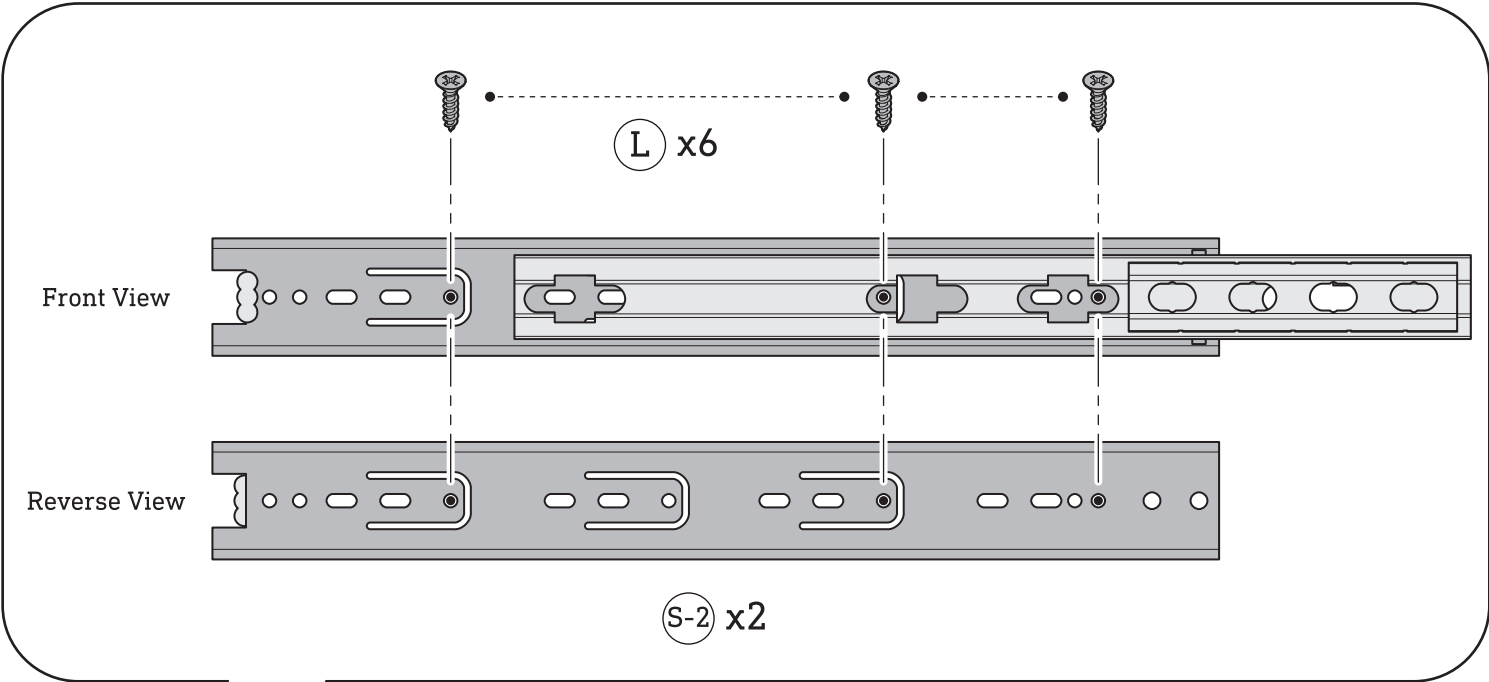
Step 41



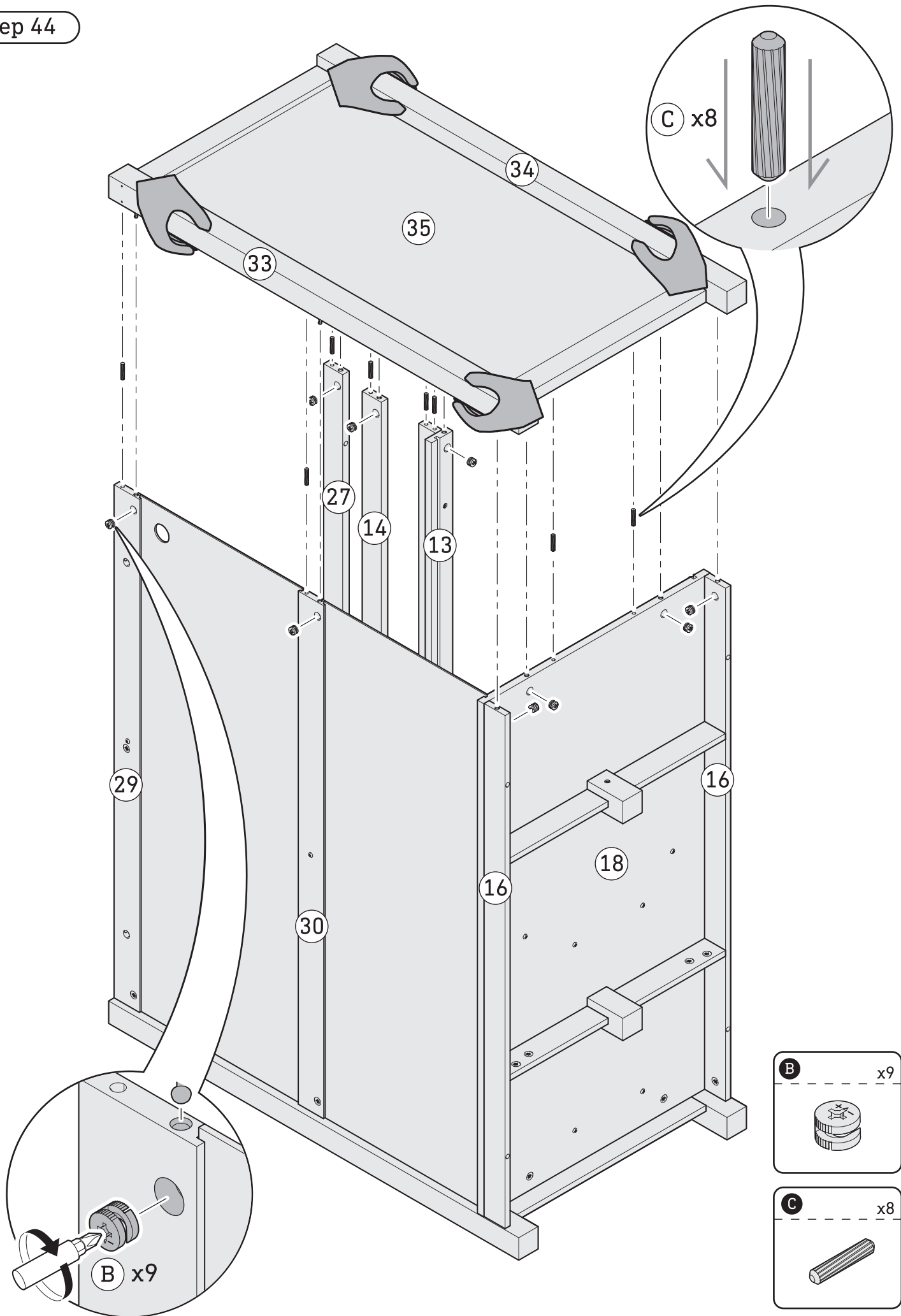
Step 42



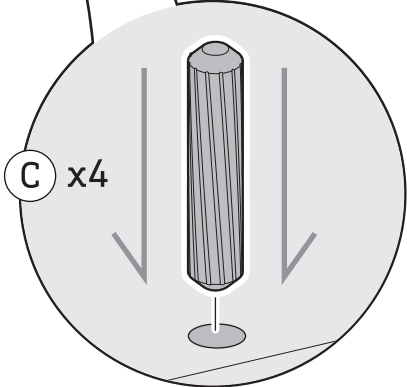
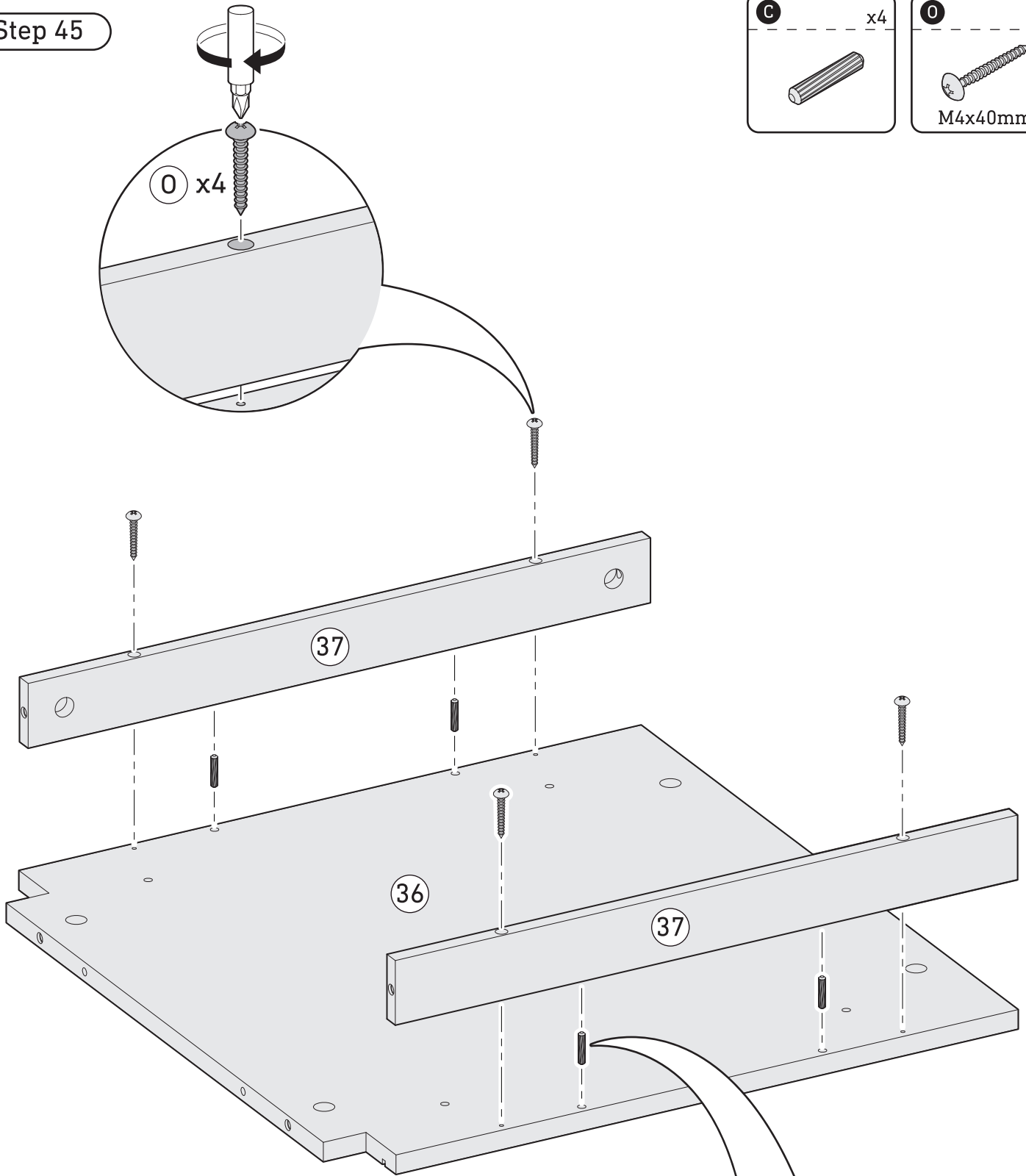
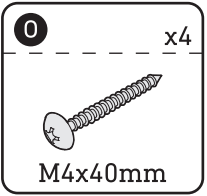
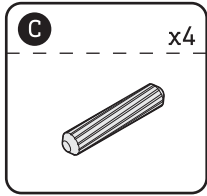
Step 43



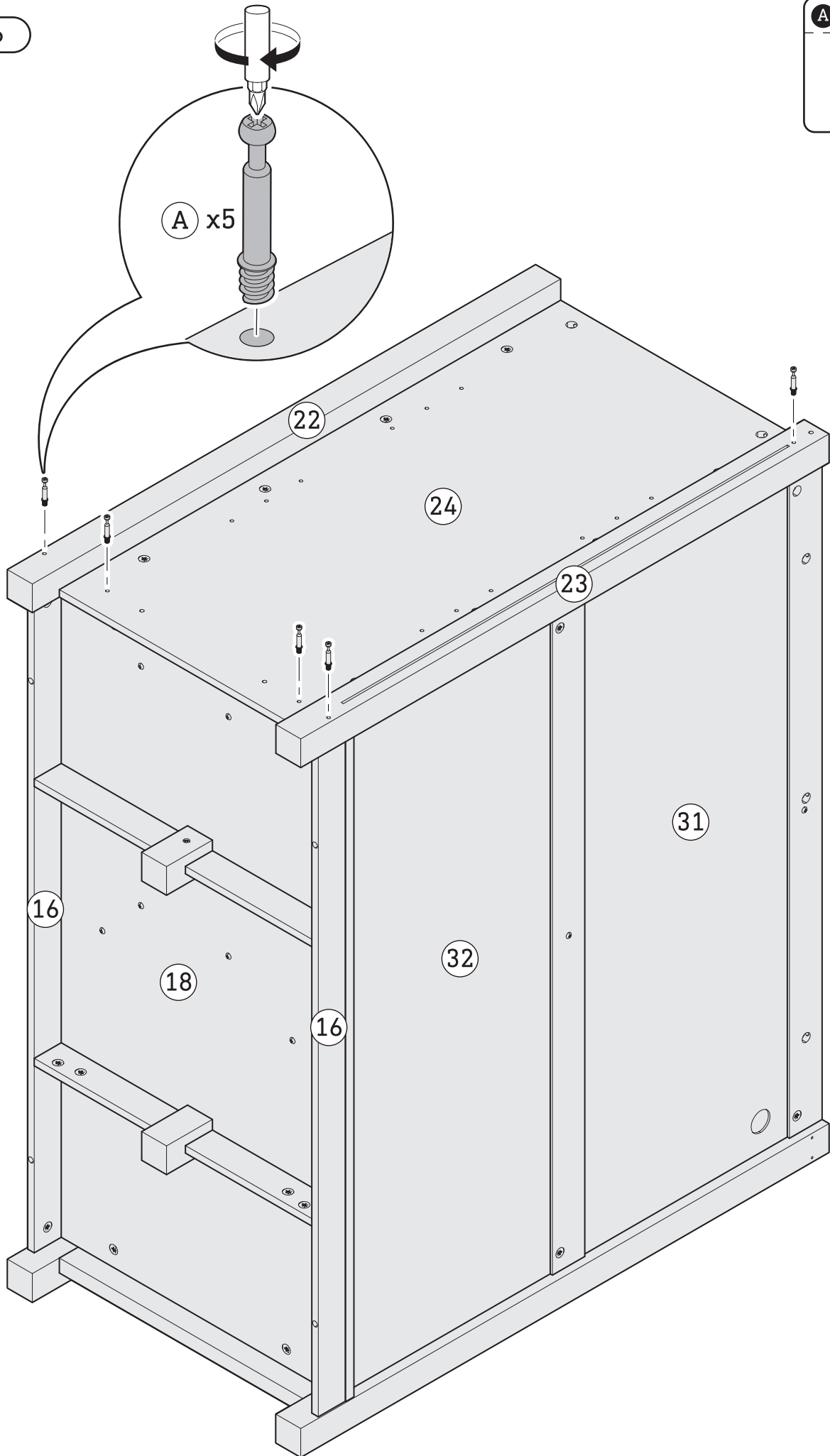
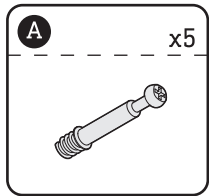
Step 44



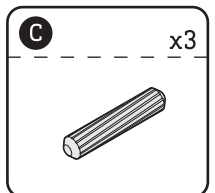
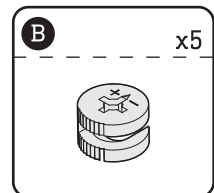
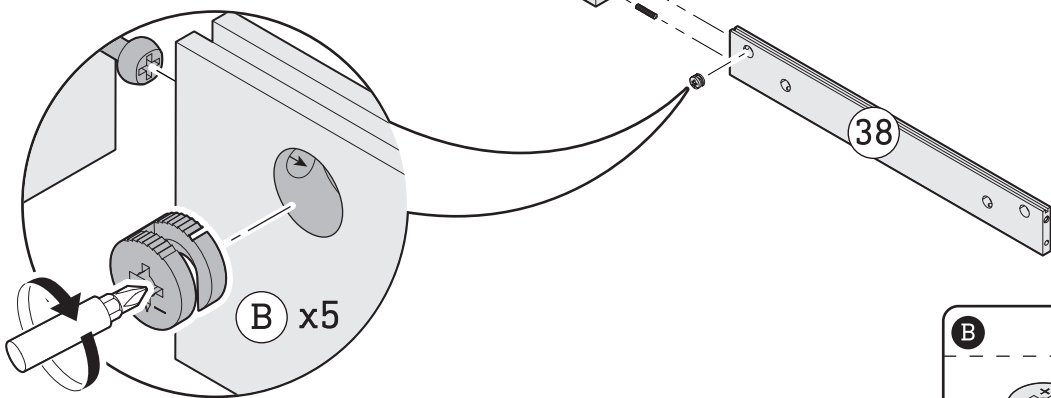
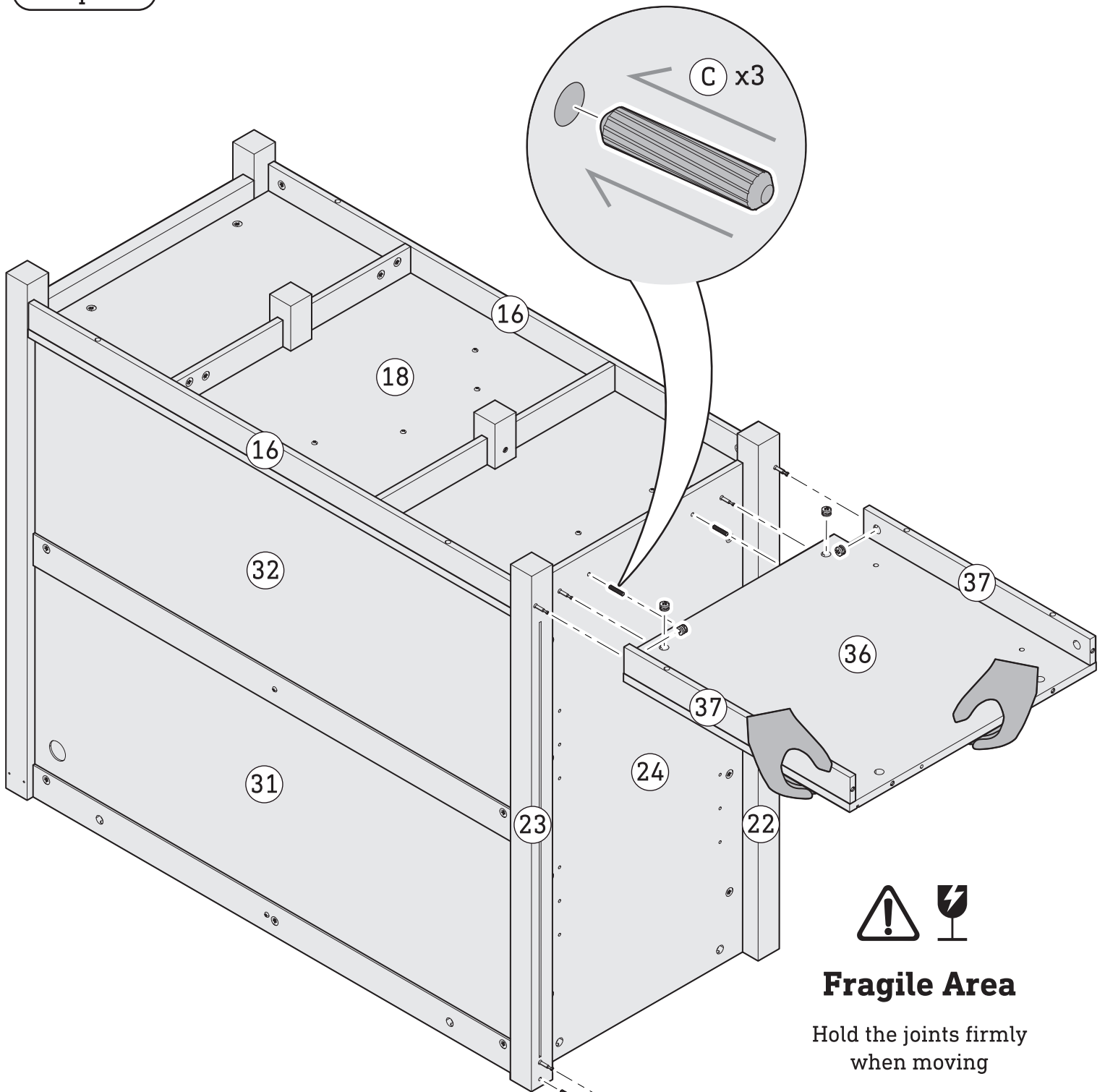
Step 45



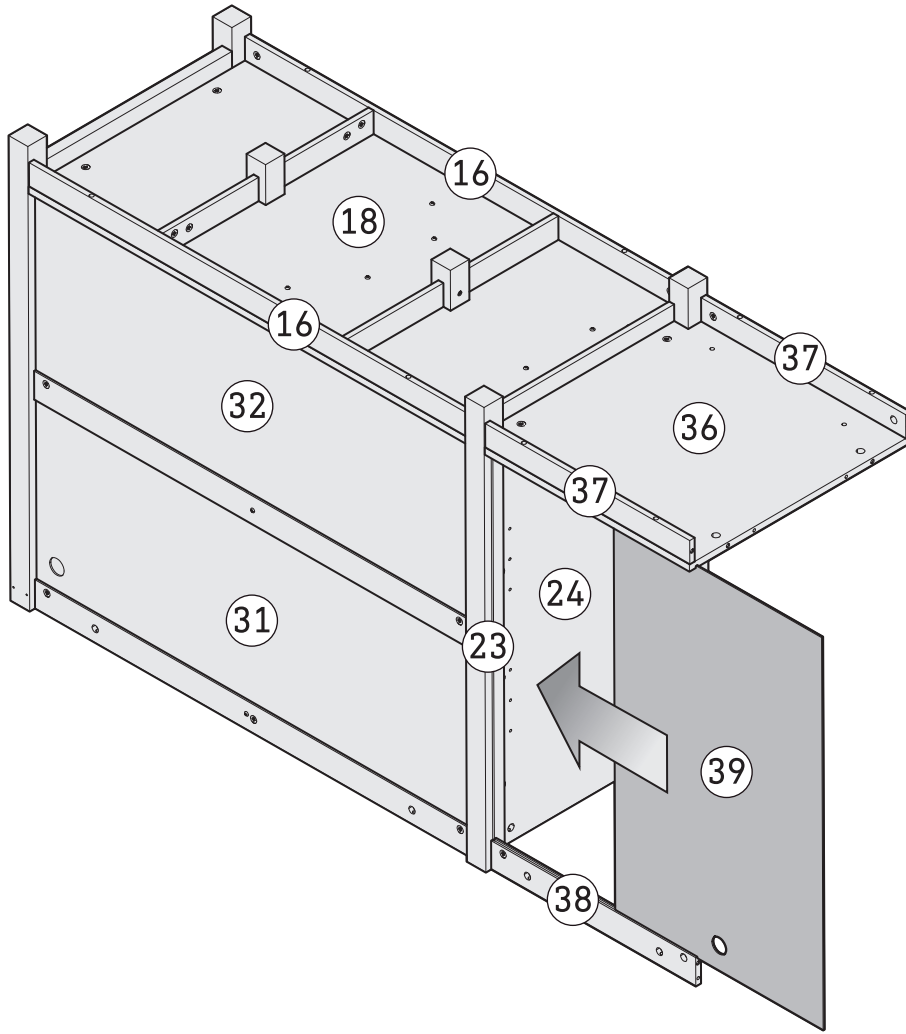
Step 46



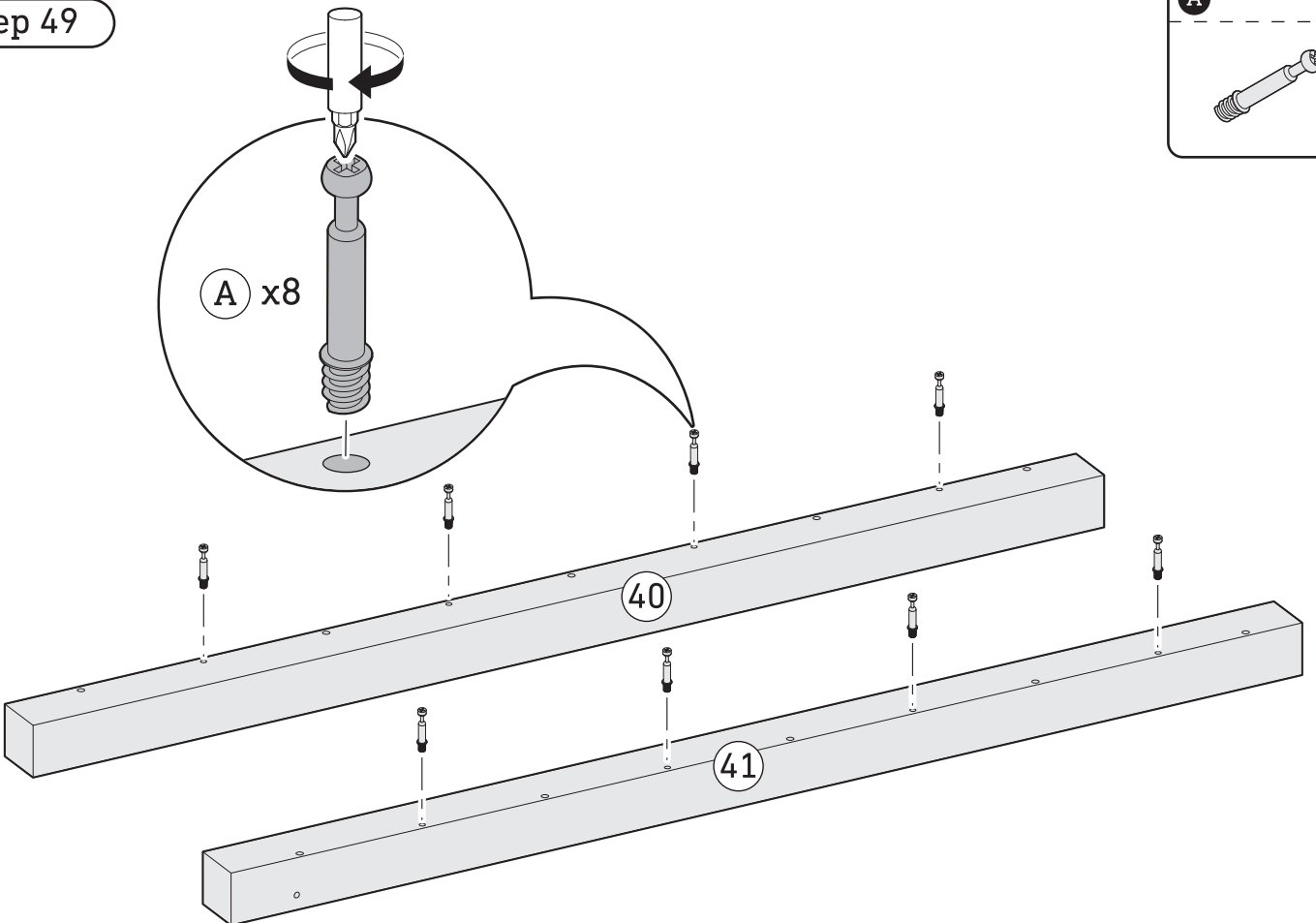
Step 47



Step 48



Step 49

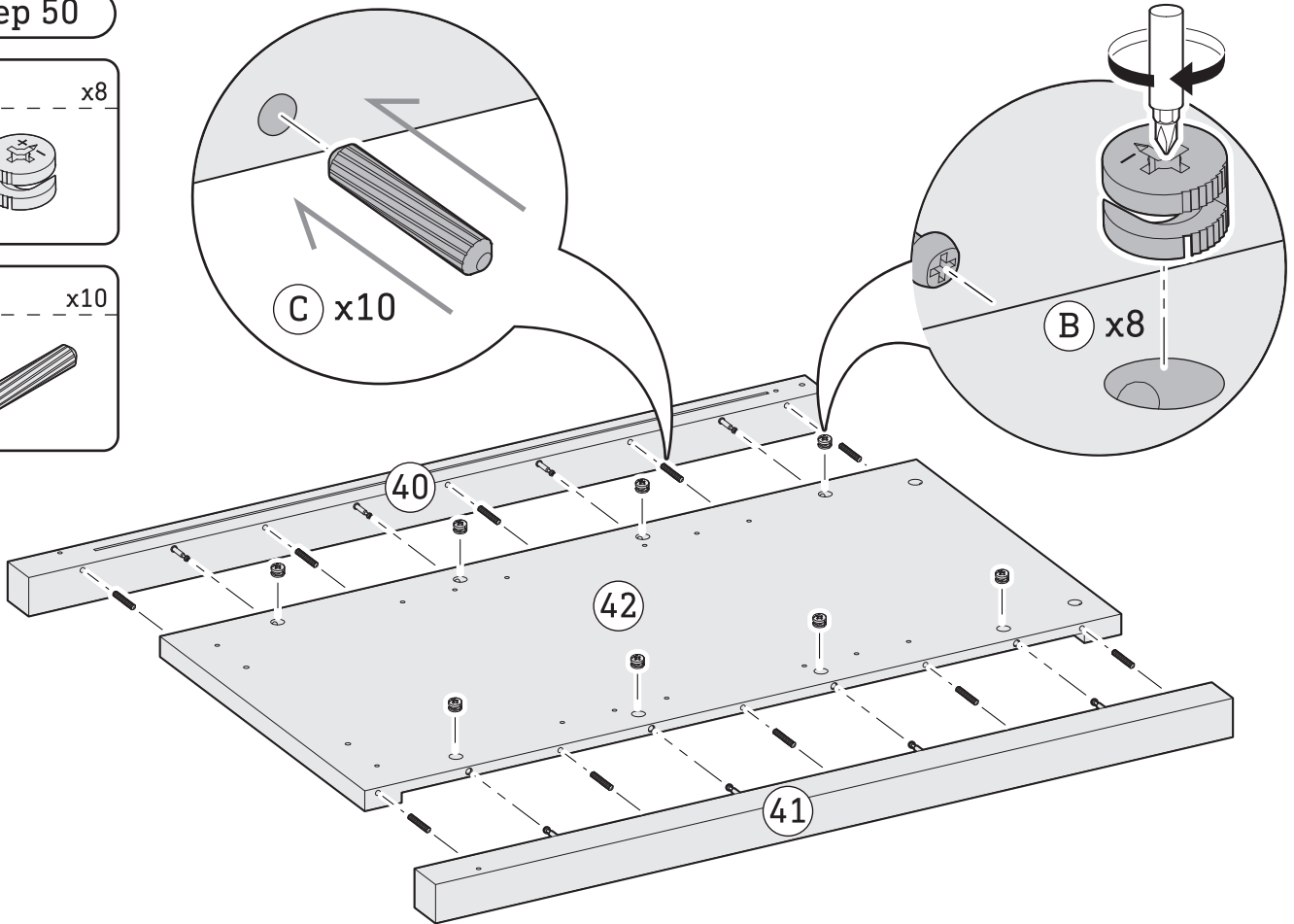


Step 50

B x8

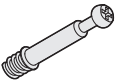


C x10

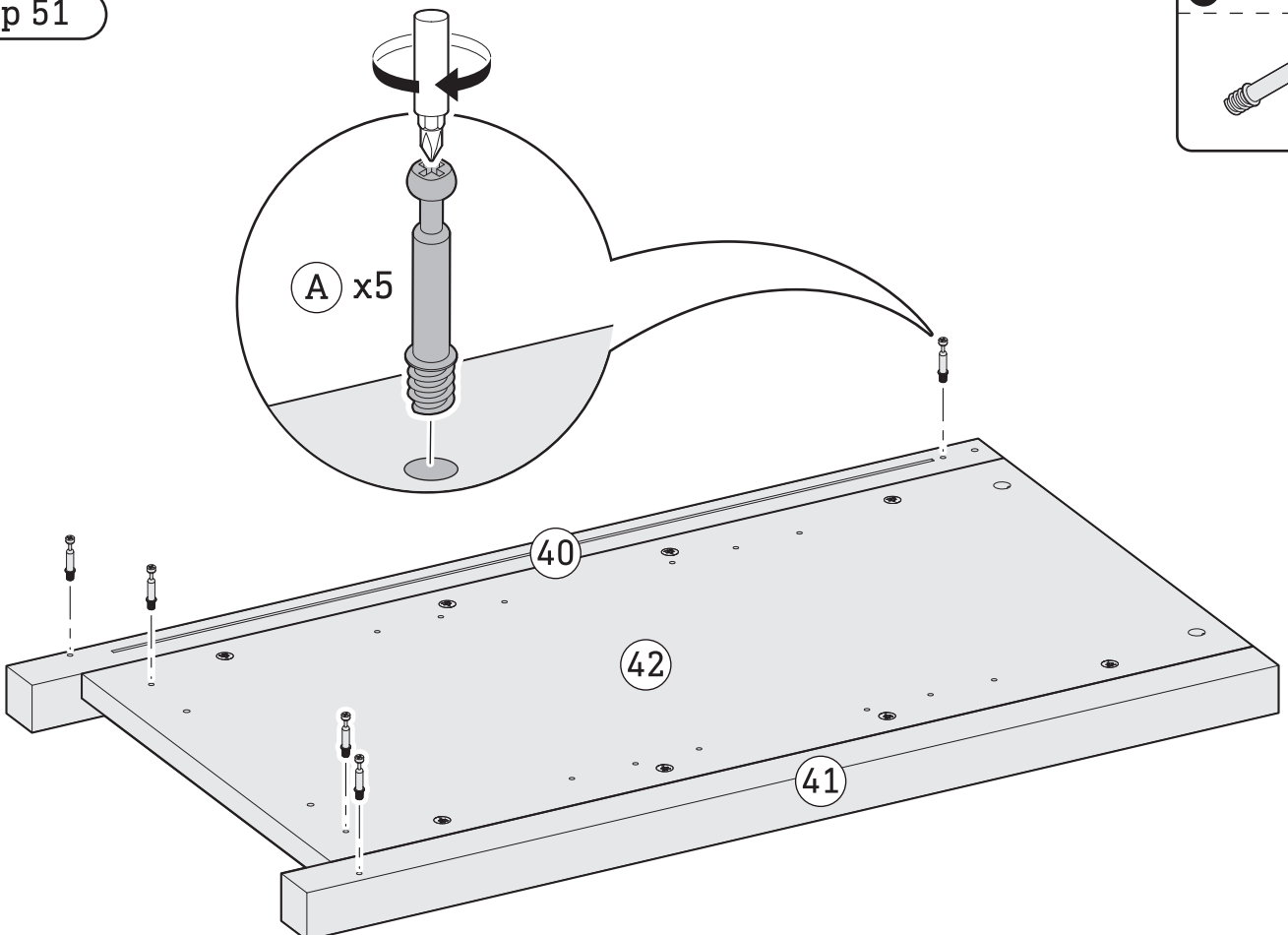


Step 51

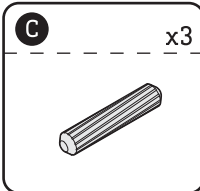
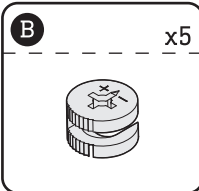
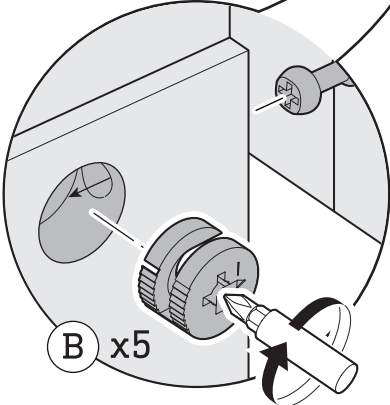
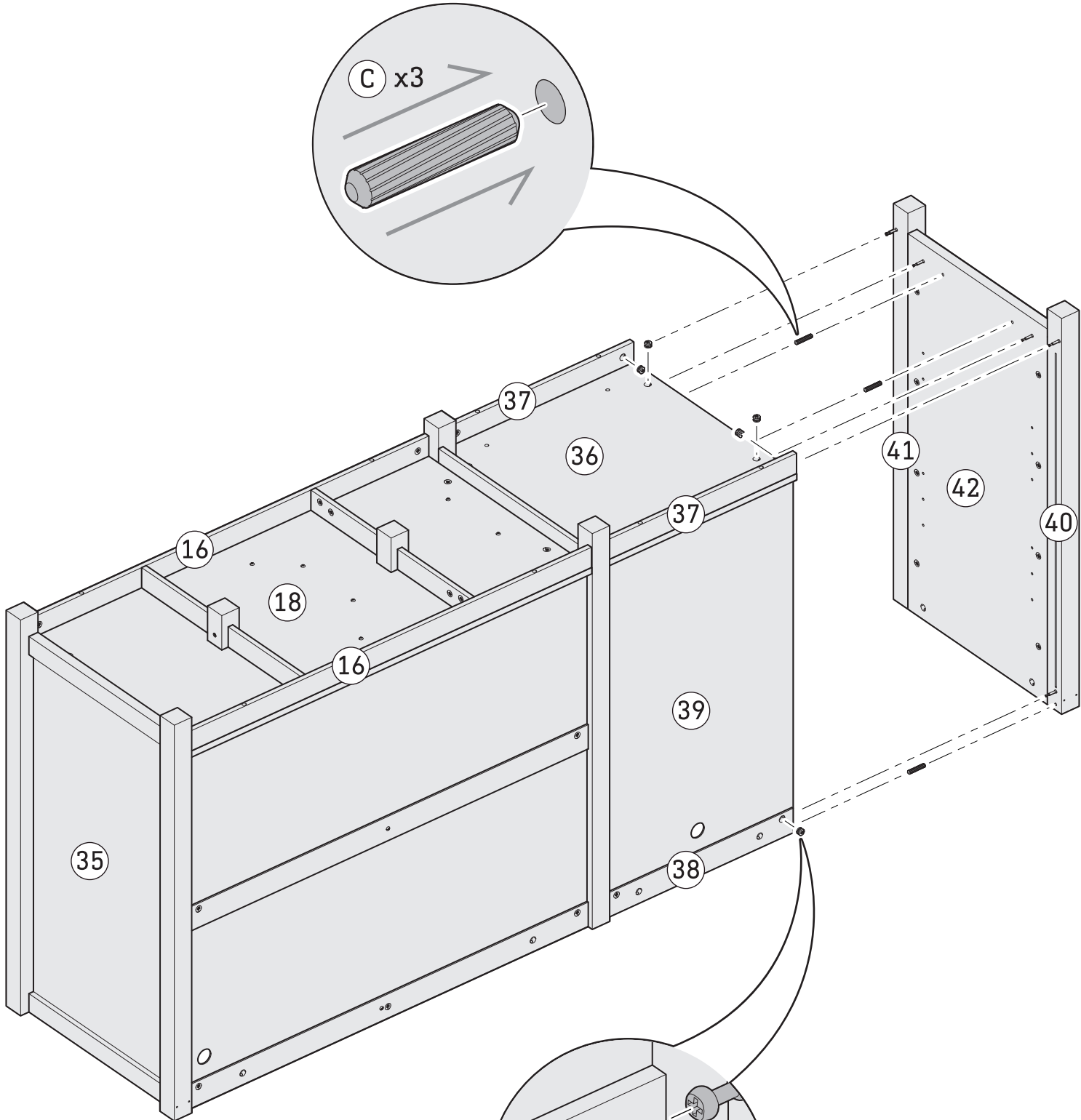
A x5



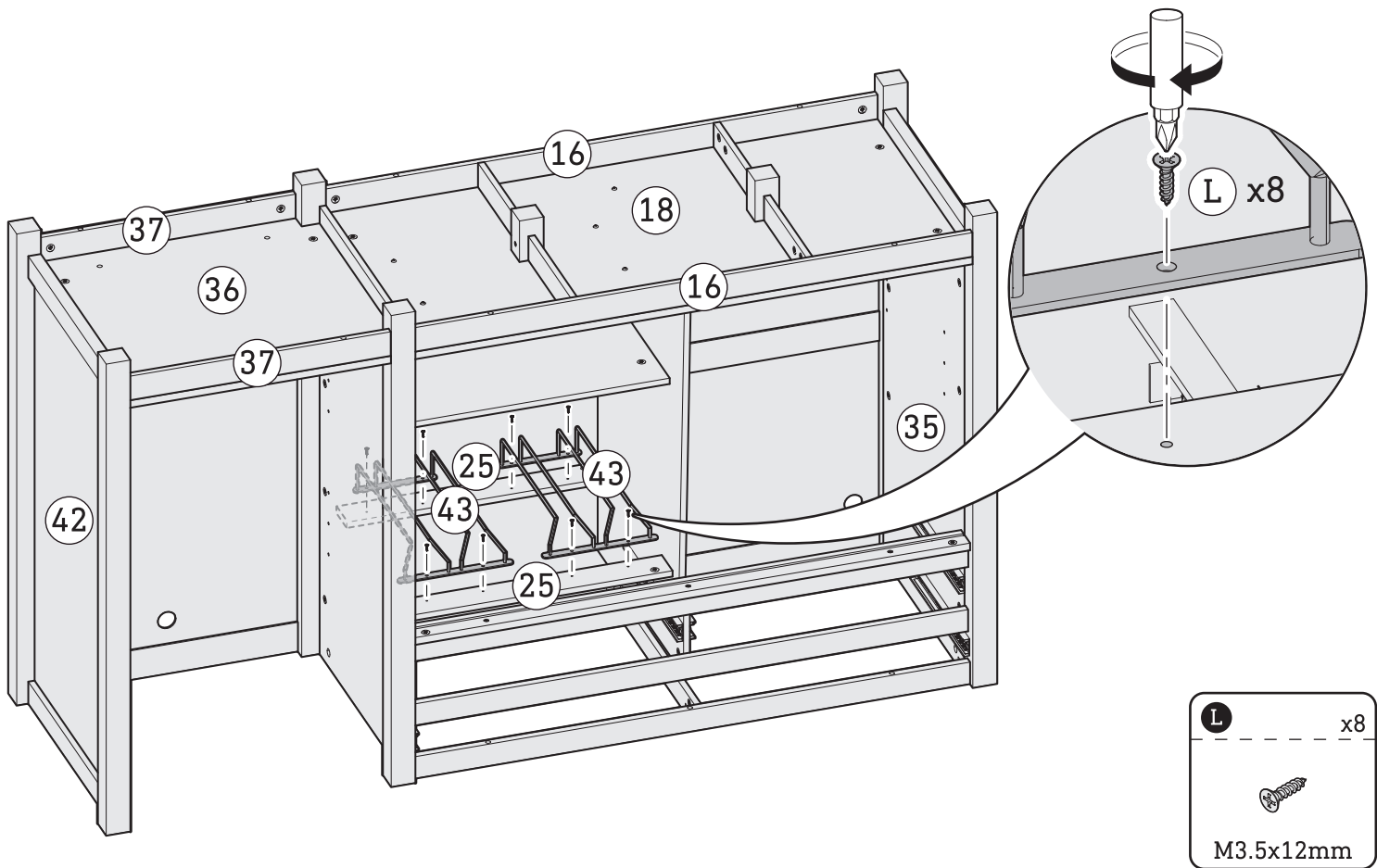
A x5



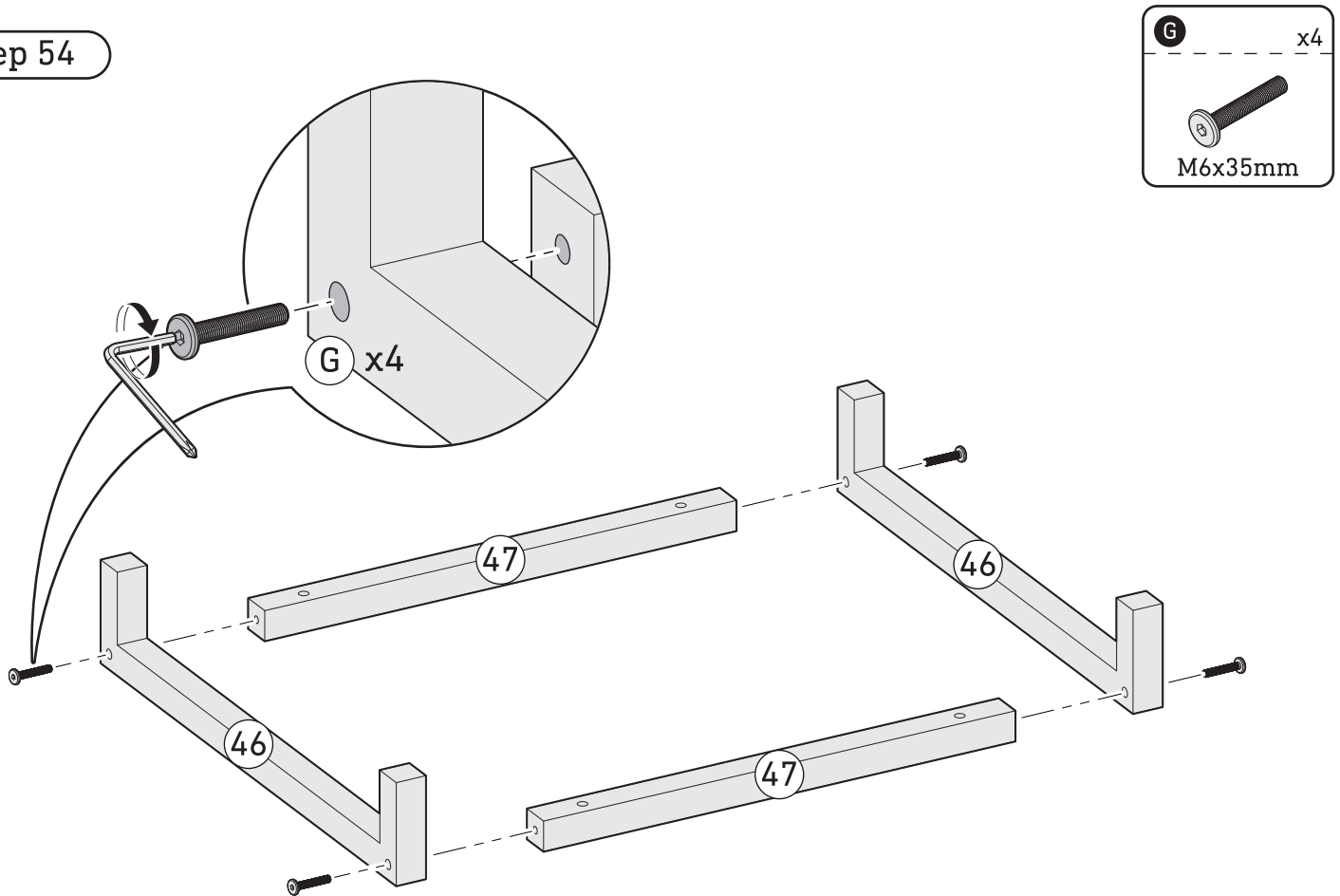
Step 52



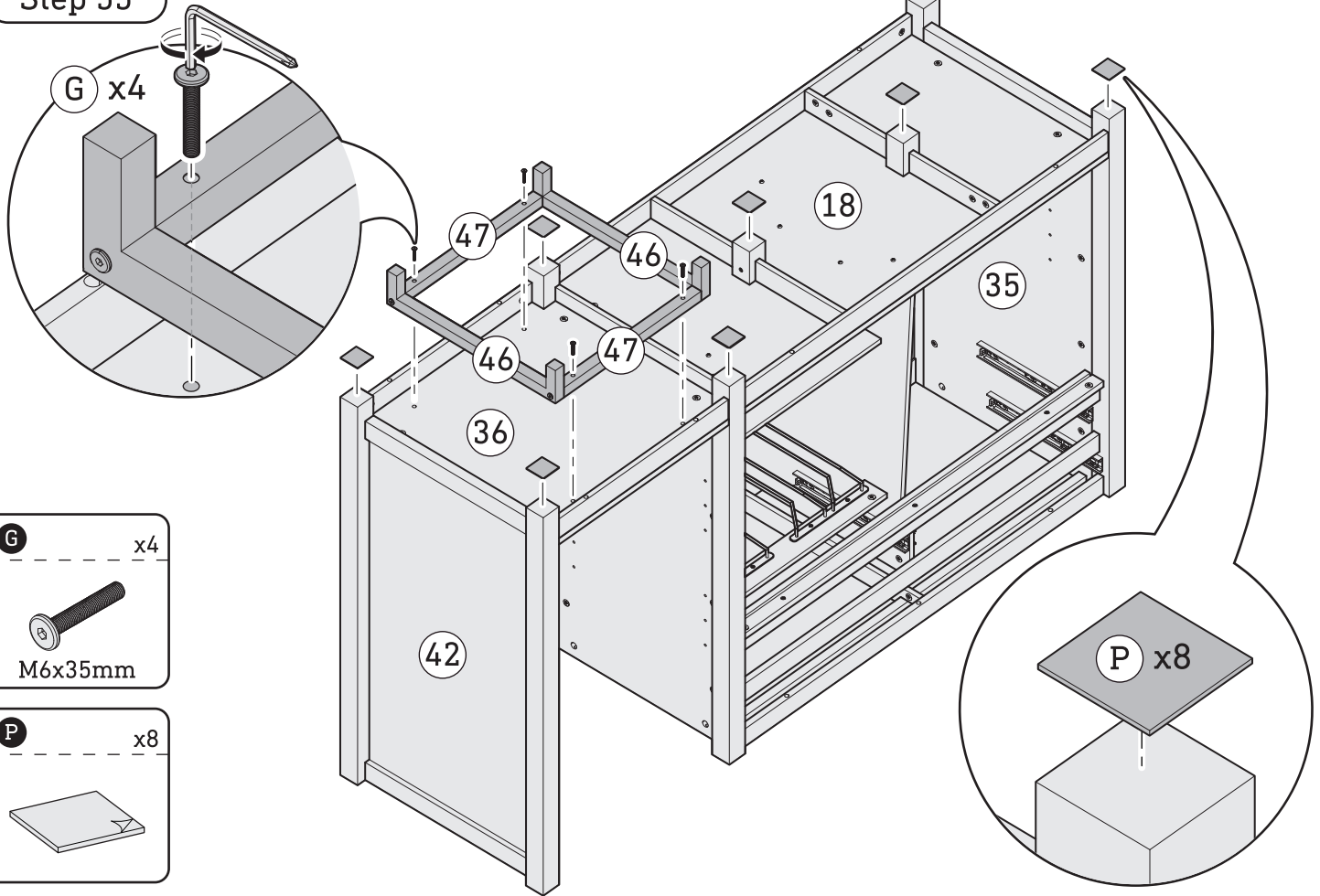
Step 53



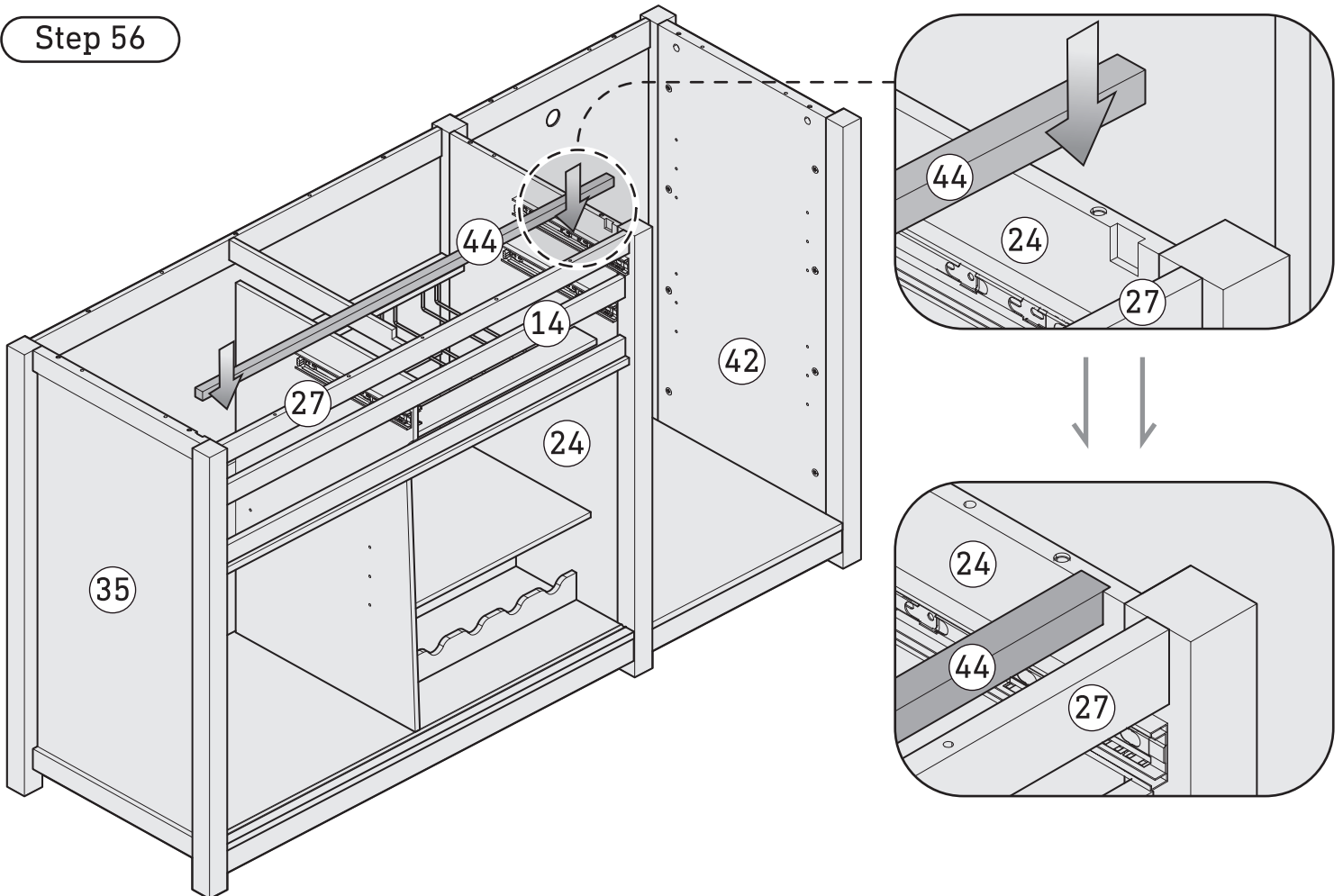
Step 54



Step 55

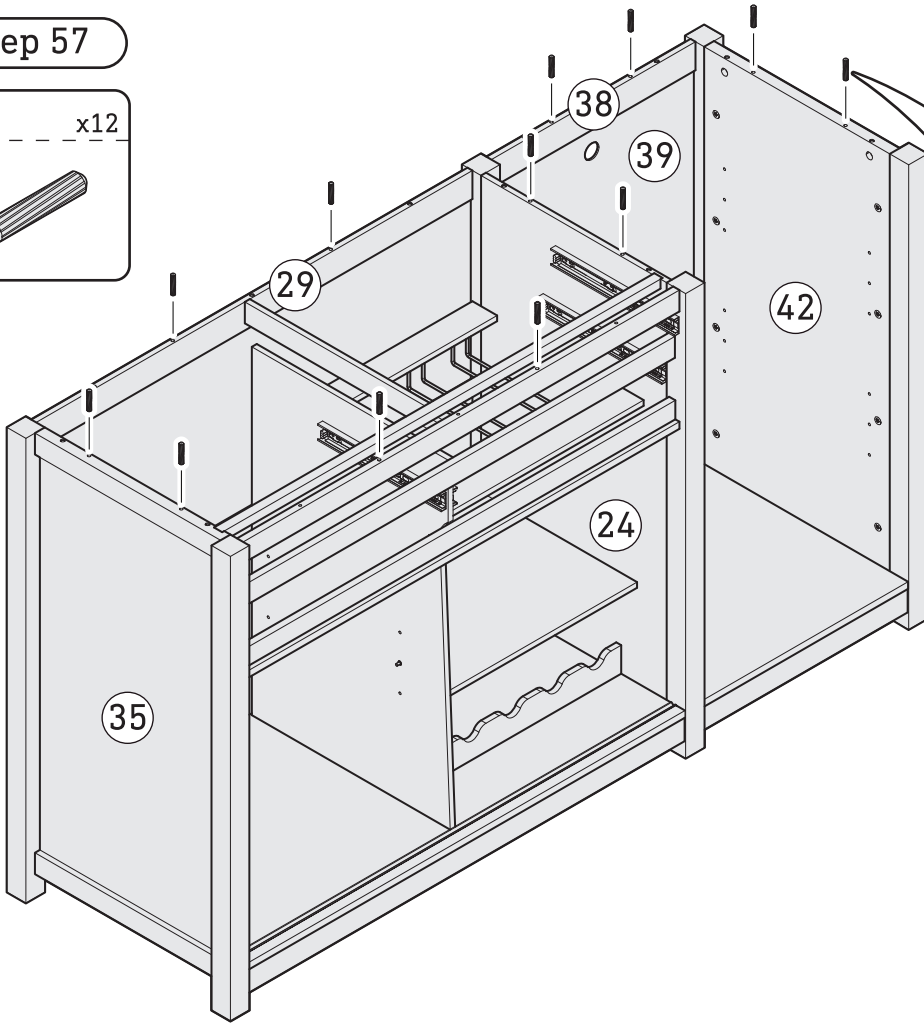
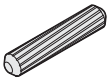


Step 56

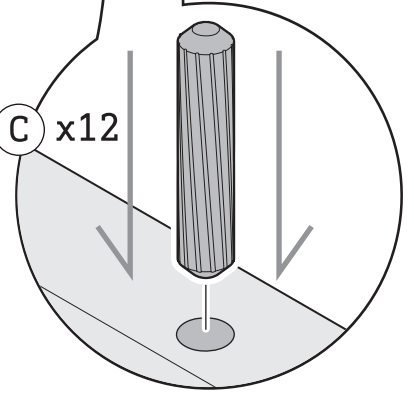


Step 57

C x12

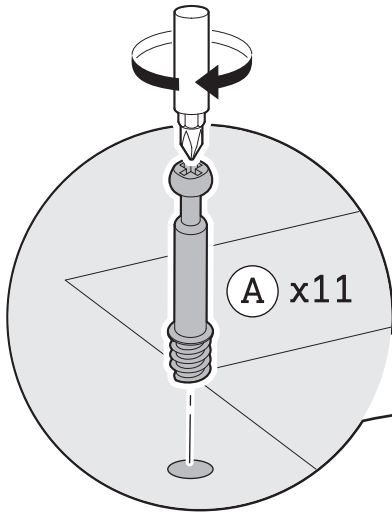
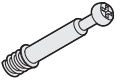


C x12

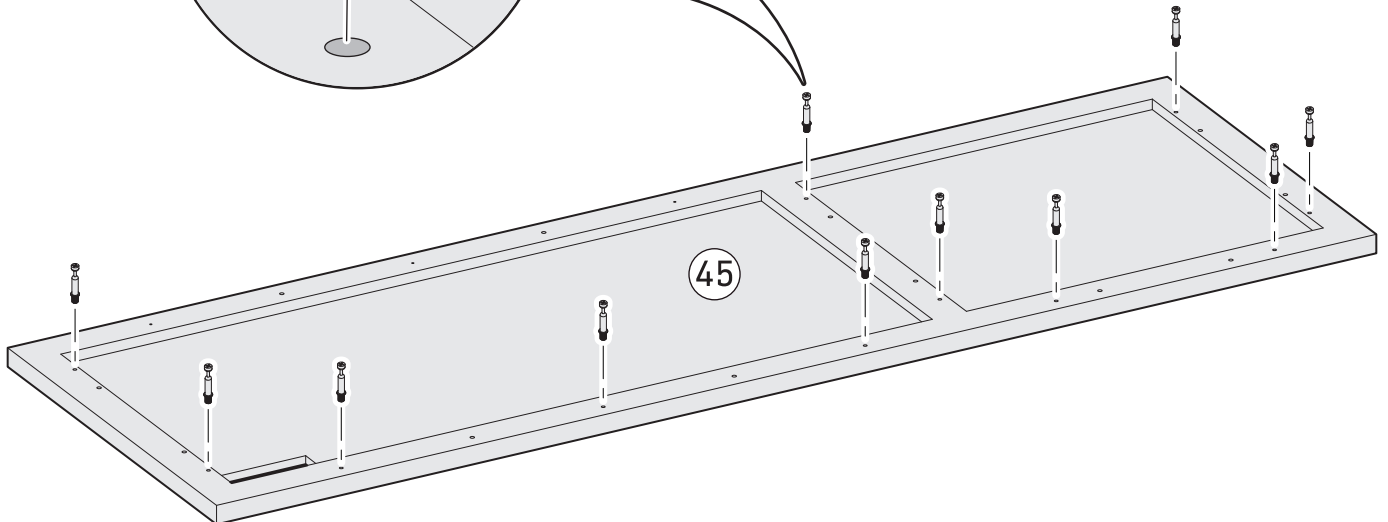


Step 58

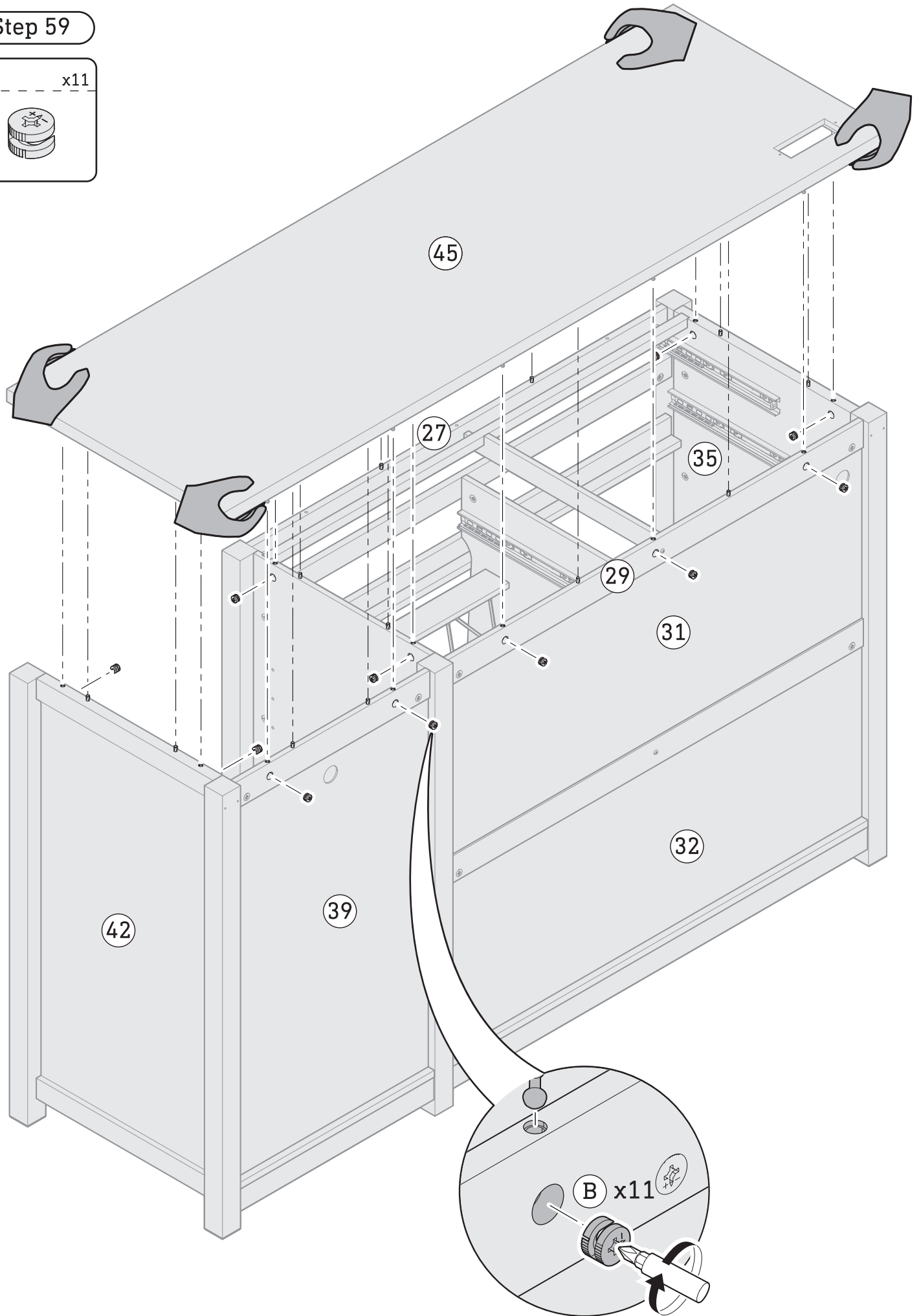
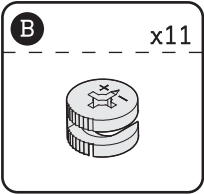
A x11



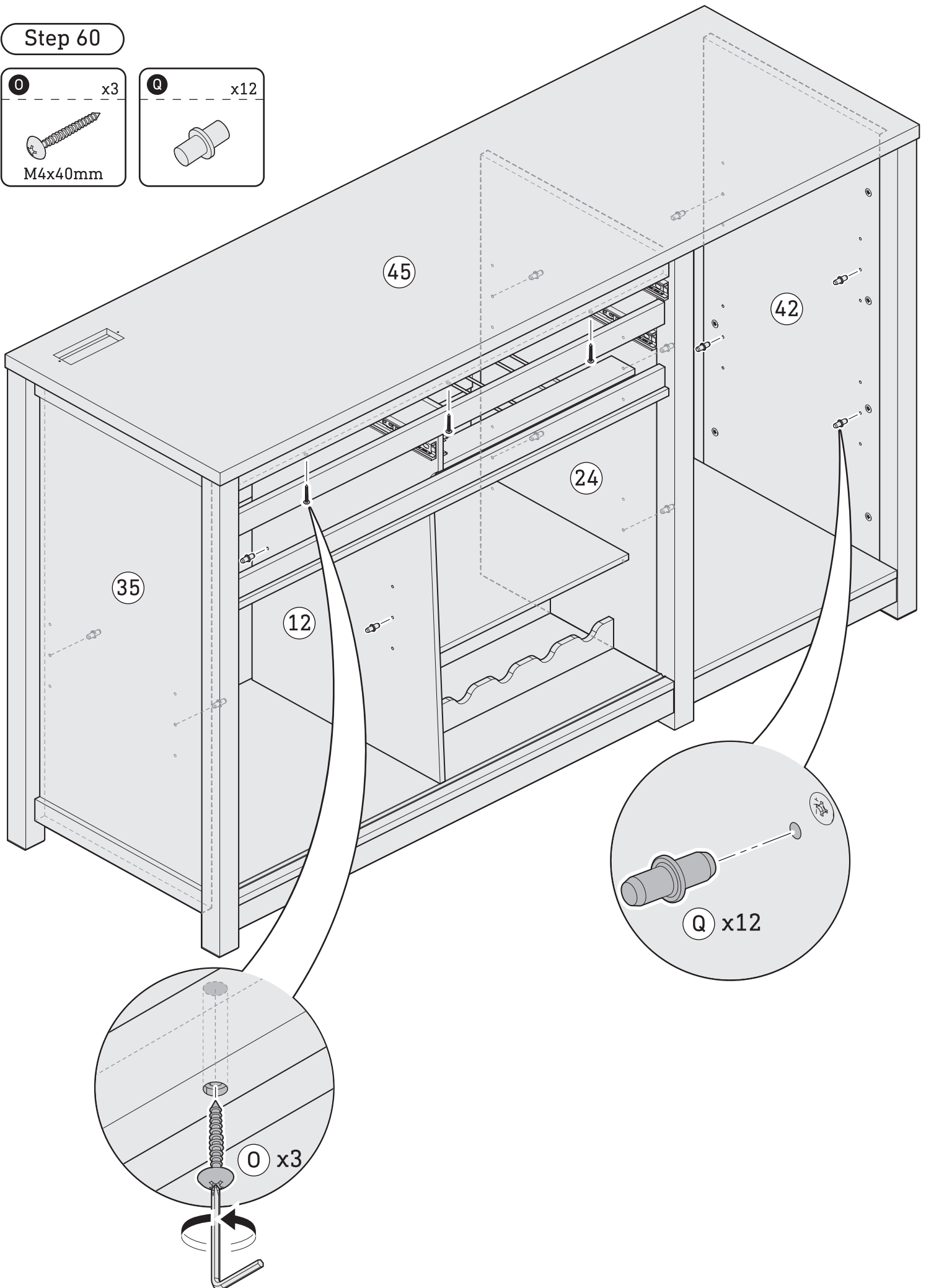
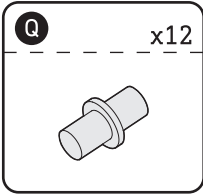
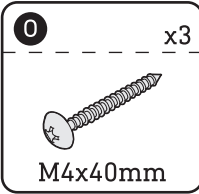
A x11



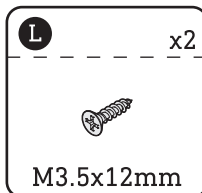
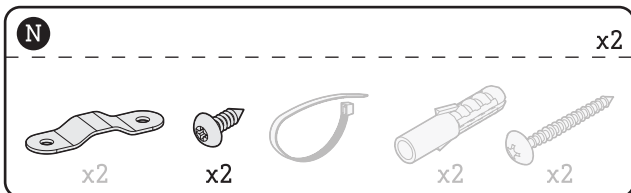
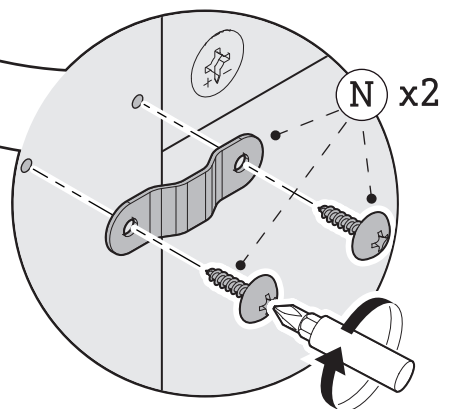
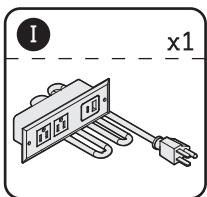
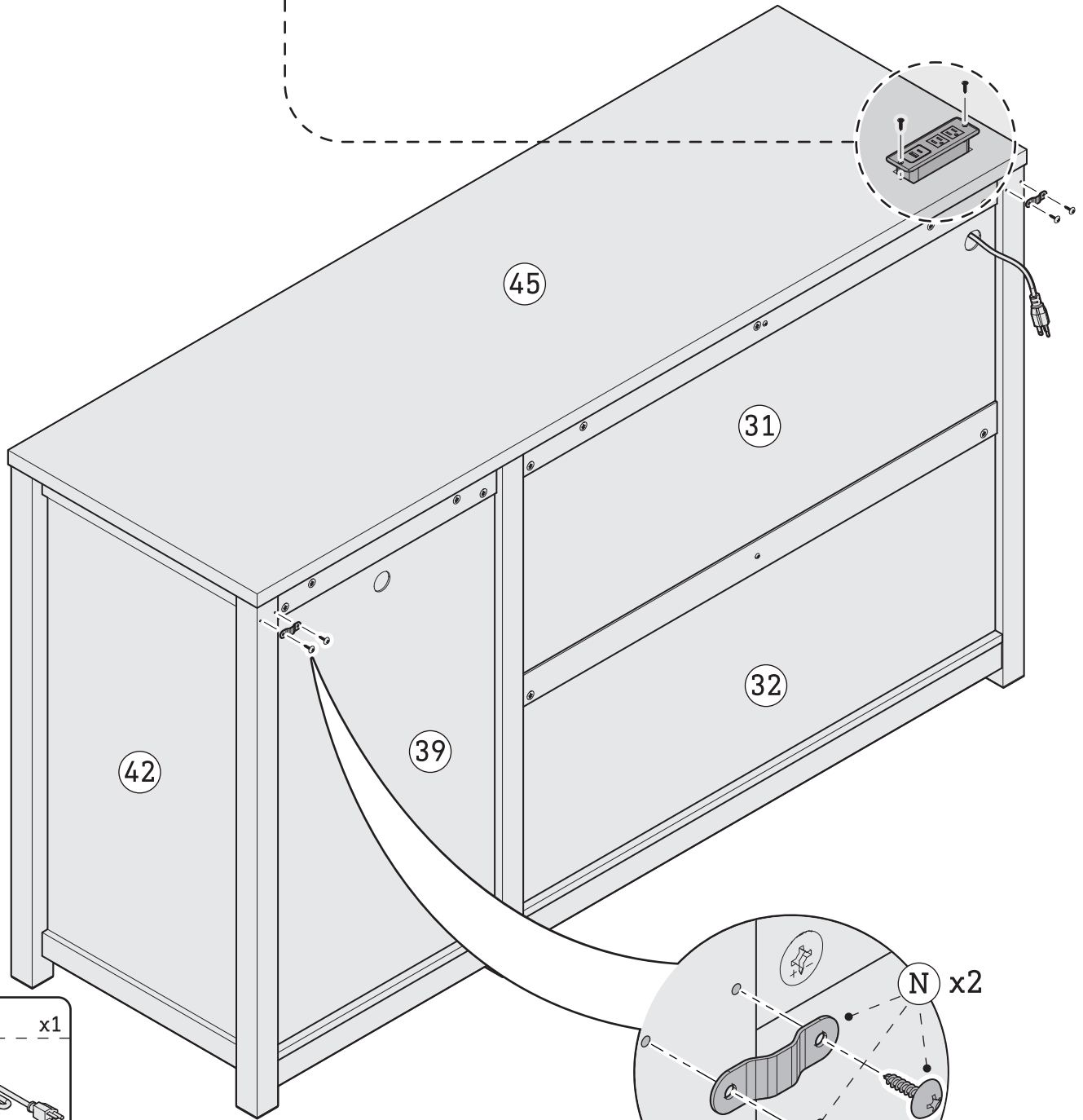
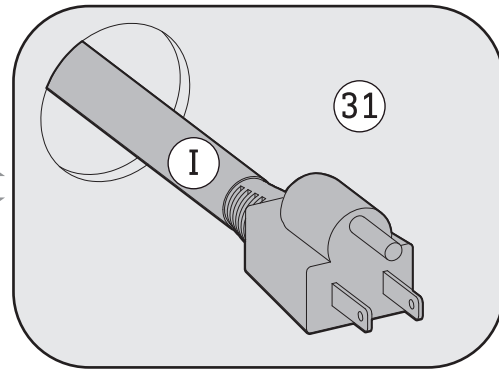
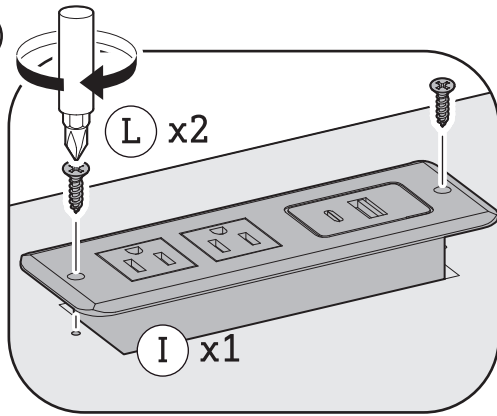
Step 59



Step 60

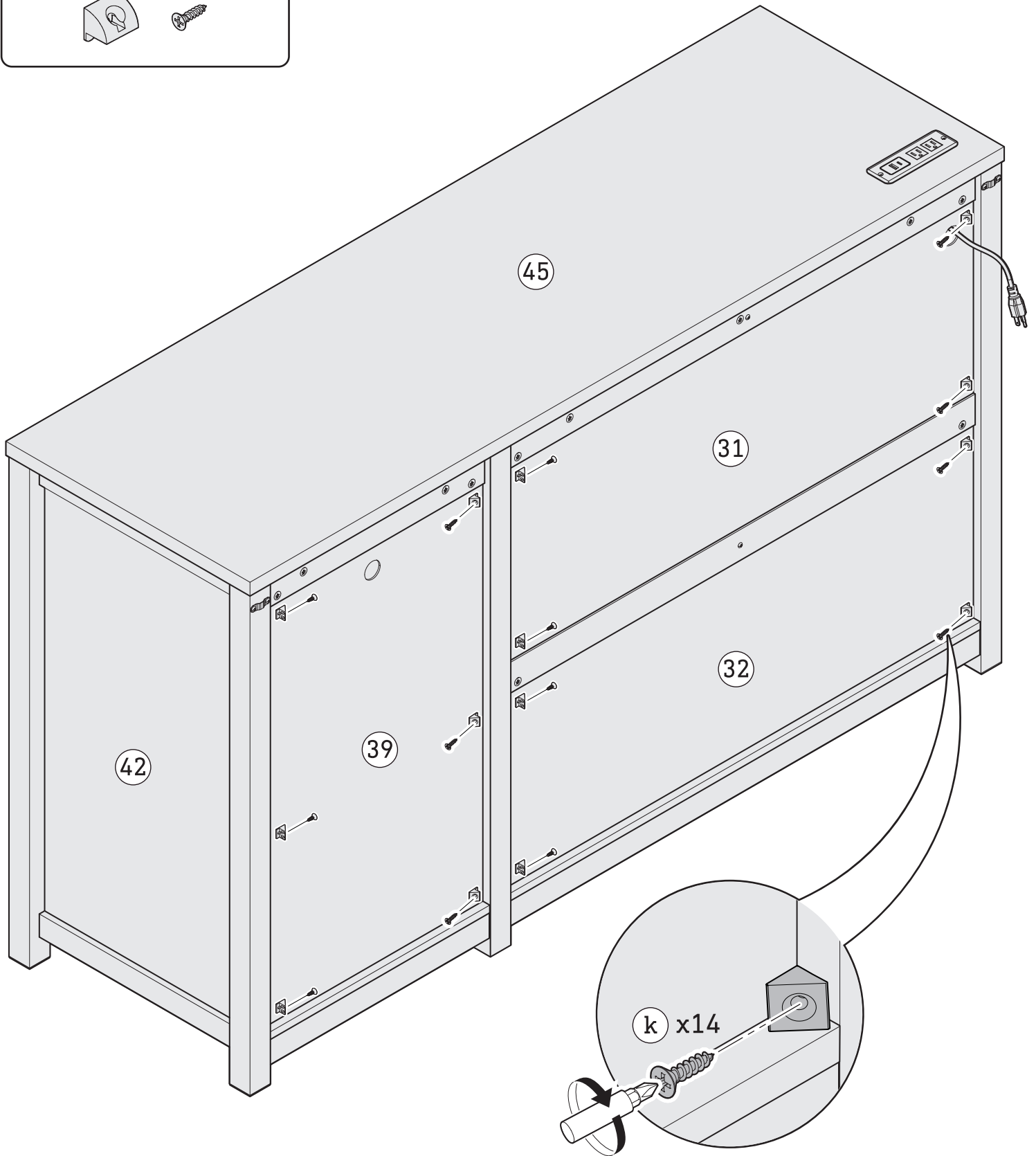
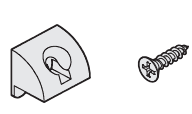


Step 61

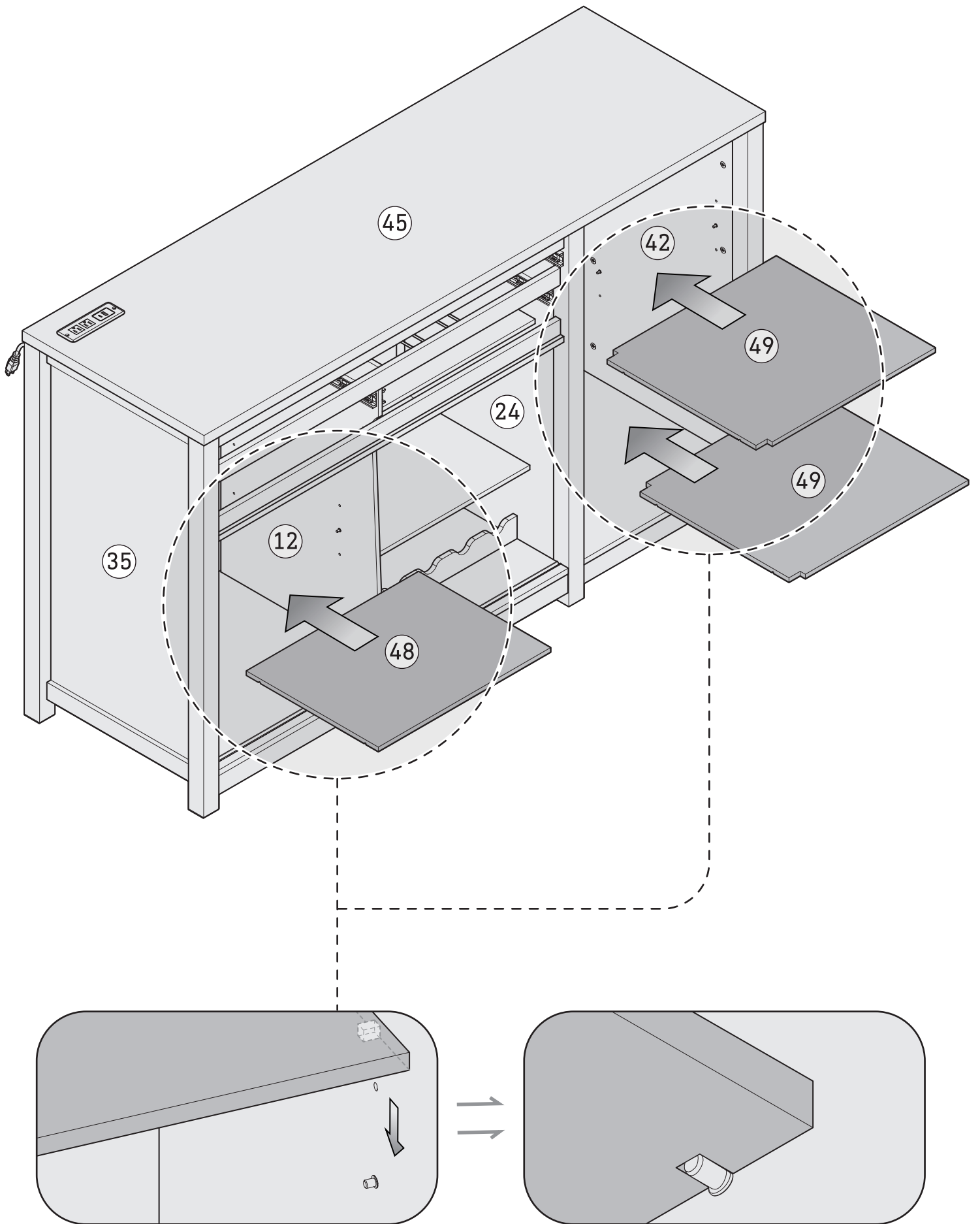


Step 62

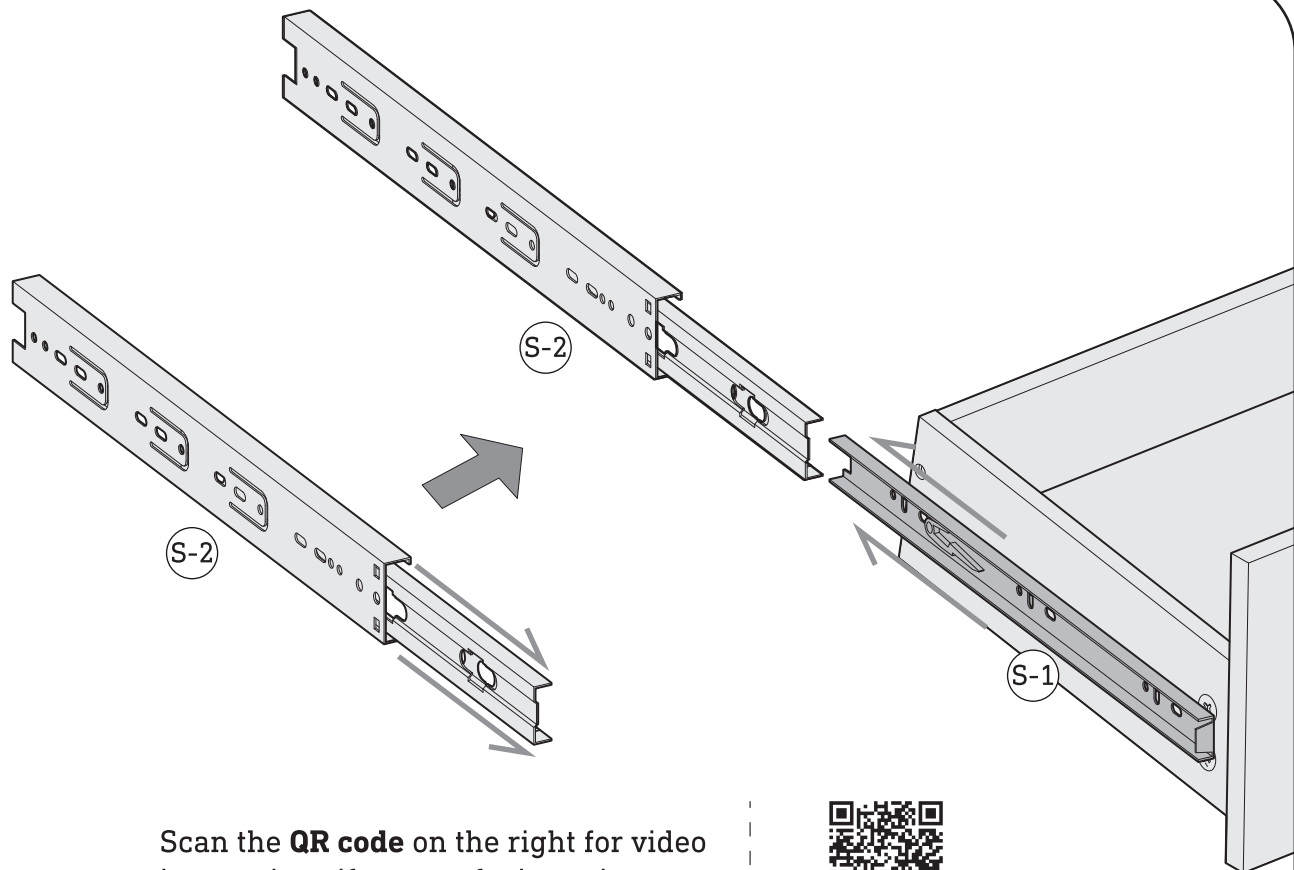
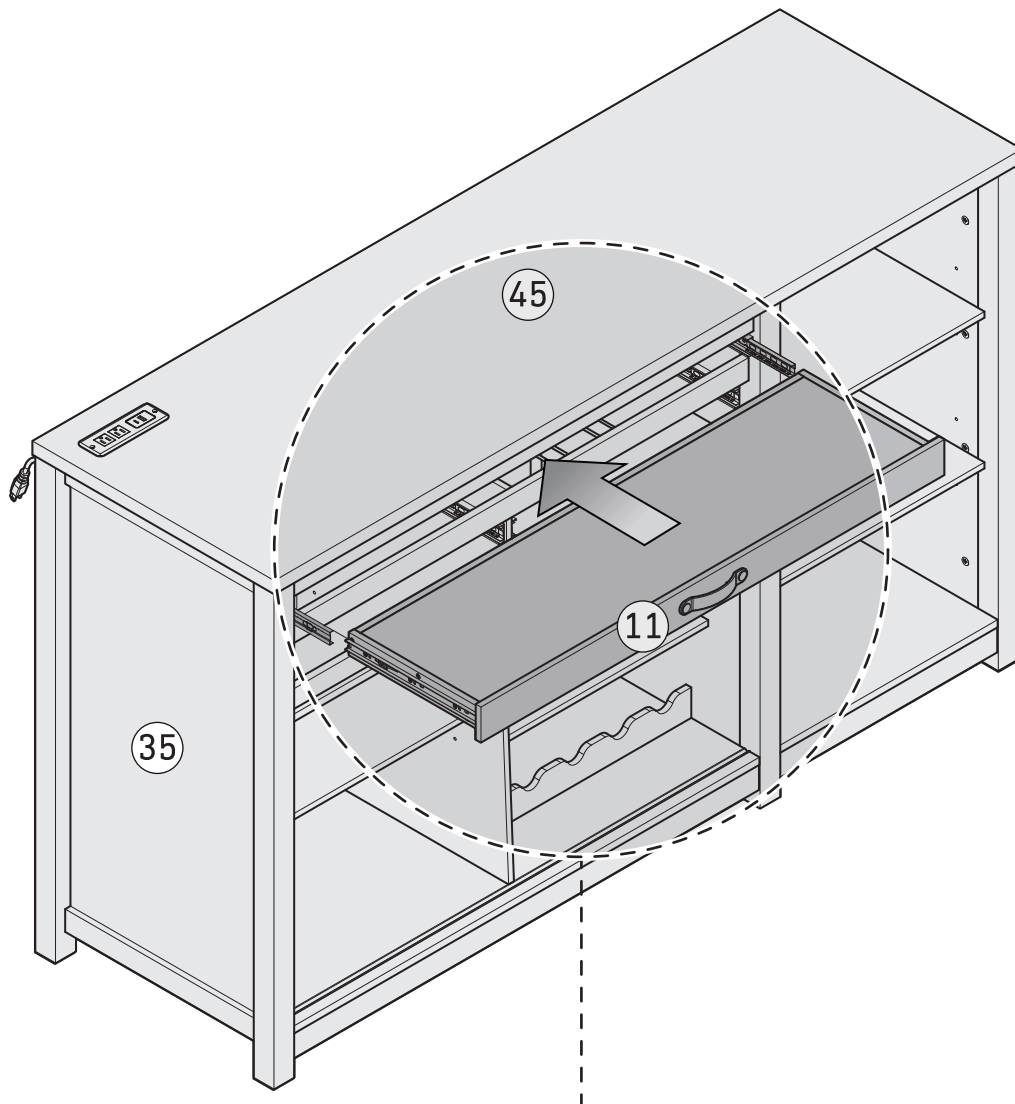
K x14 Sets



Step 63



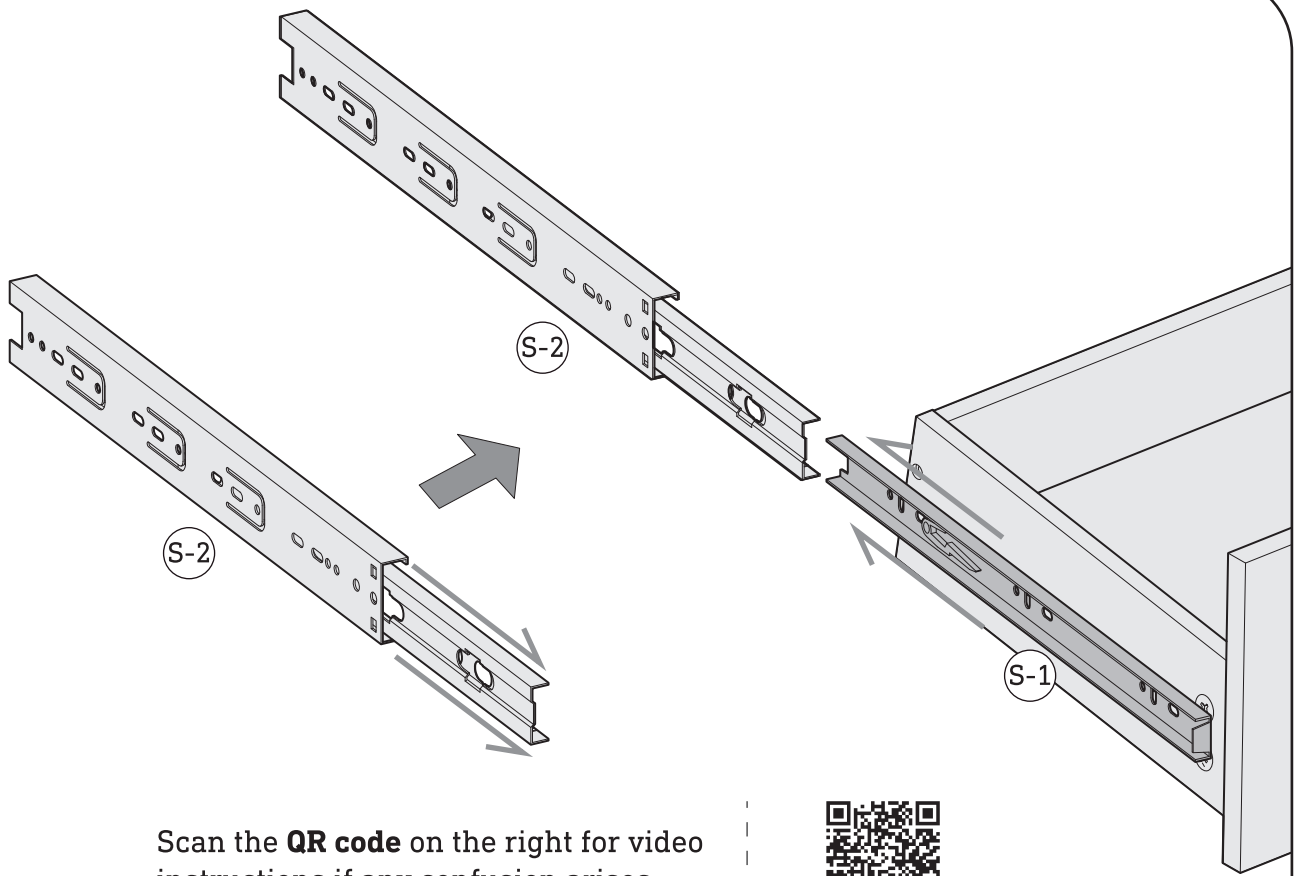
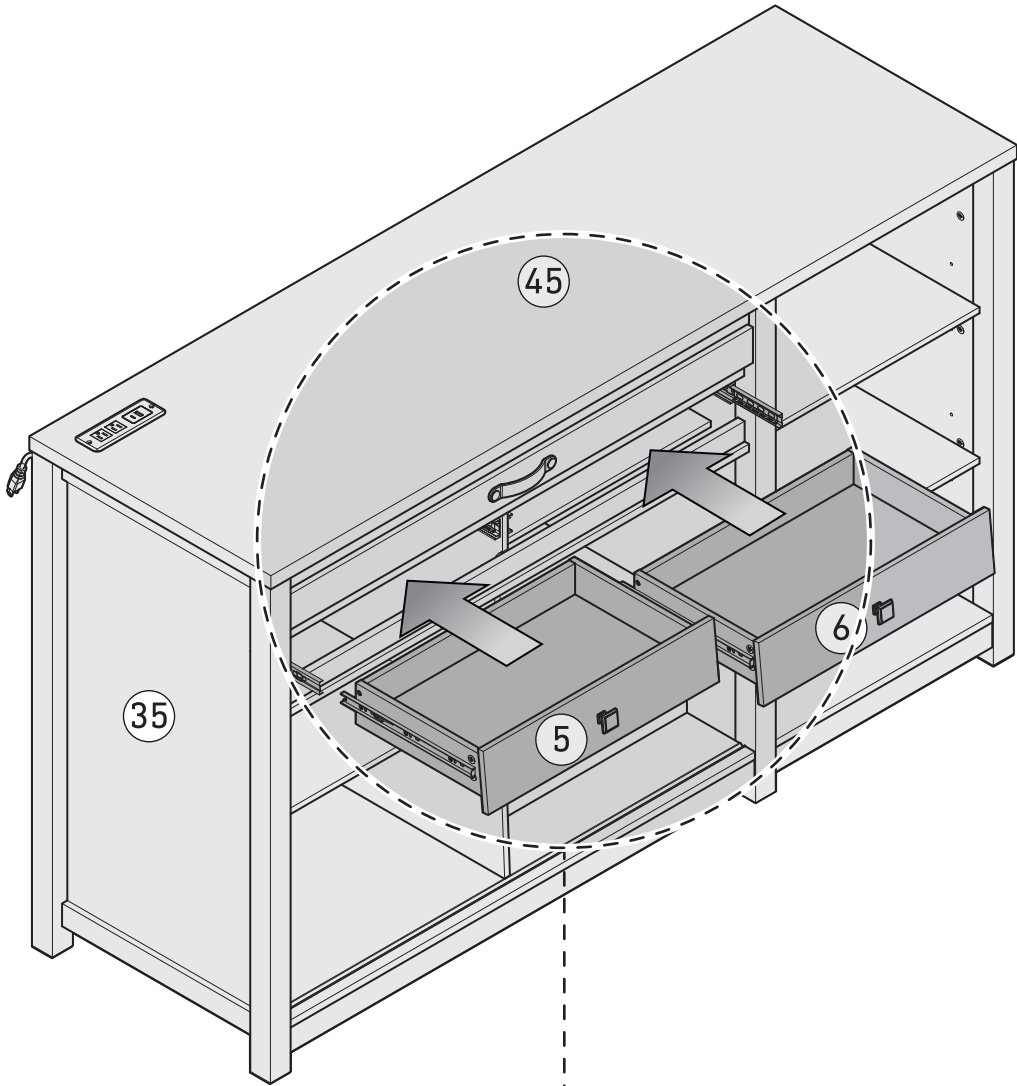
Step 64



Scan the **QR code** on the right for video instructions if any confusion arises.



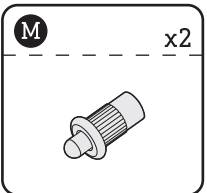
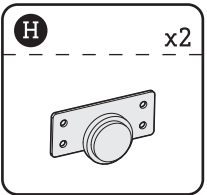
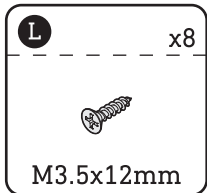
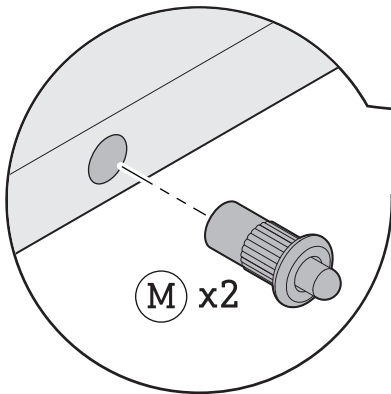
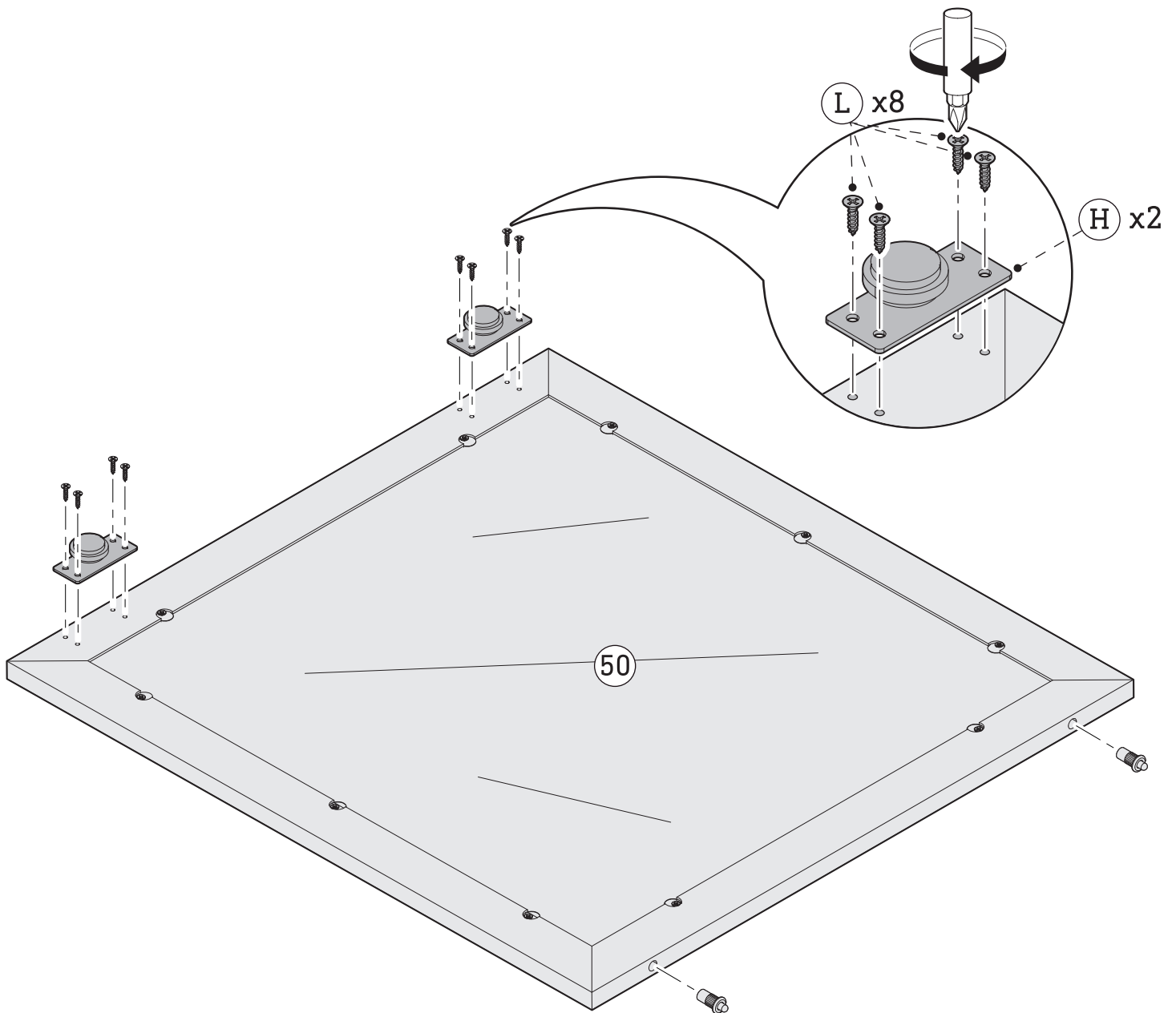
Step 65



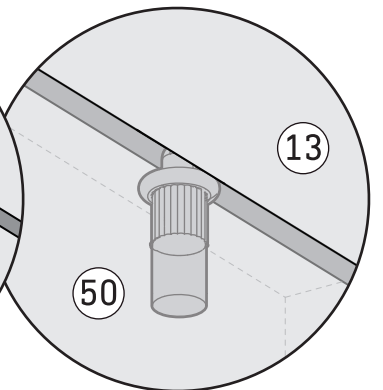
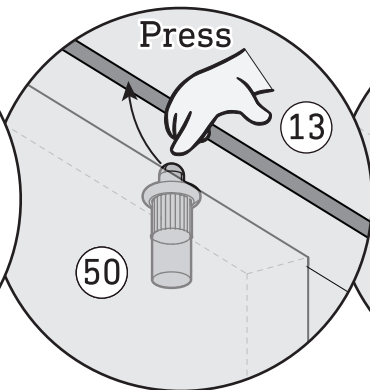
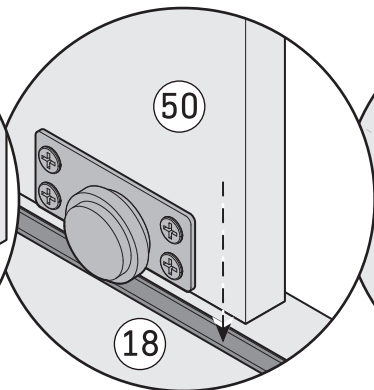
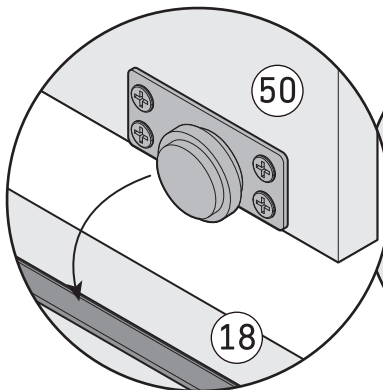
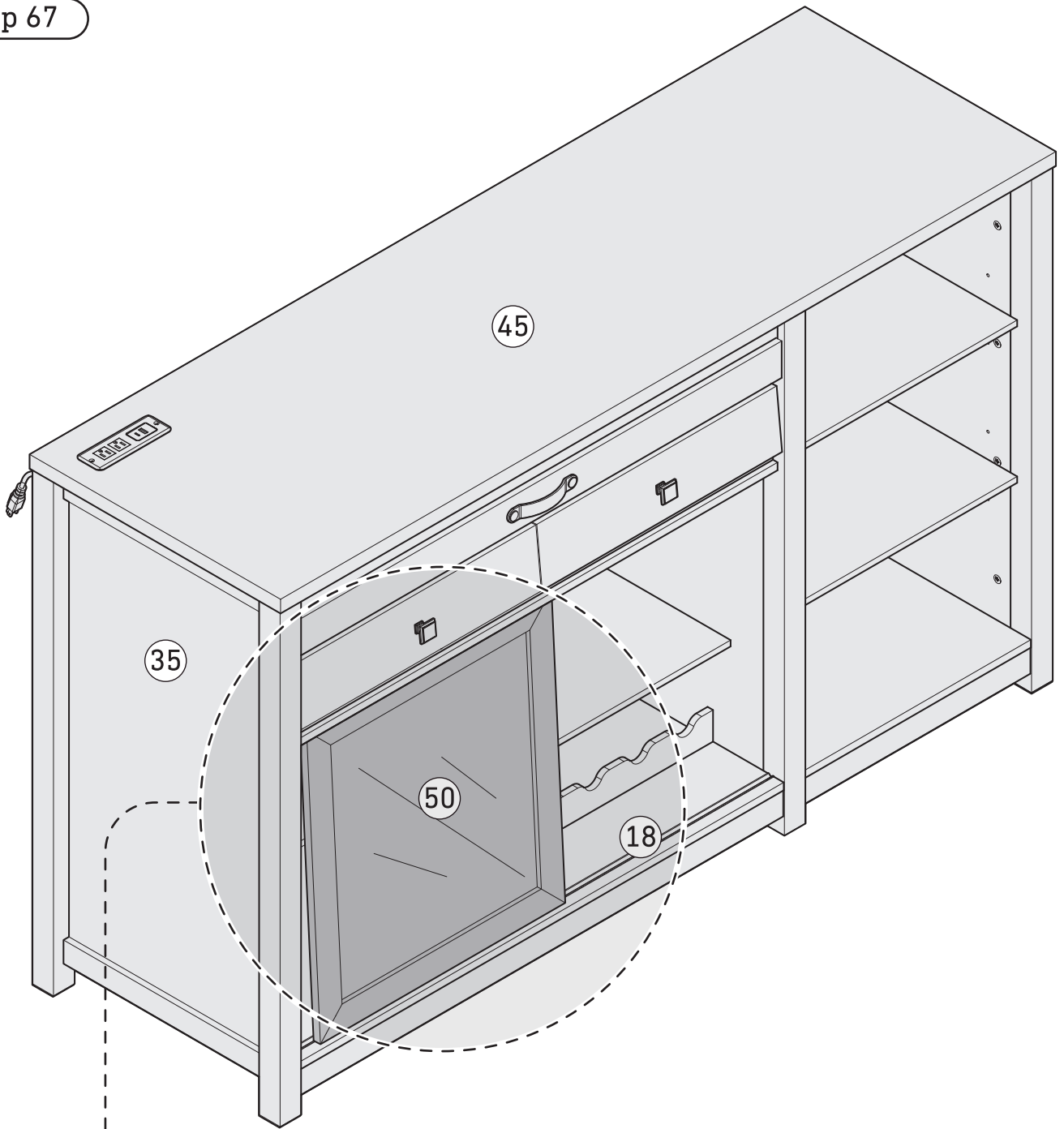
Scan the **QR code** on the right for video instructions if any confusion arises.



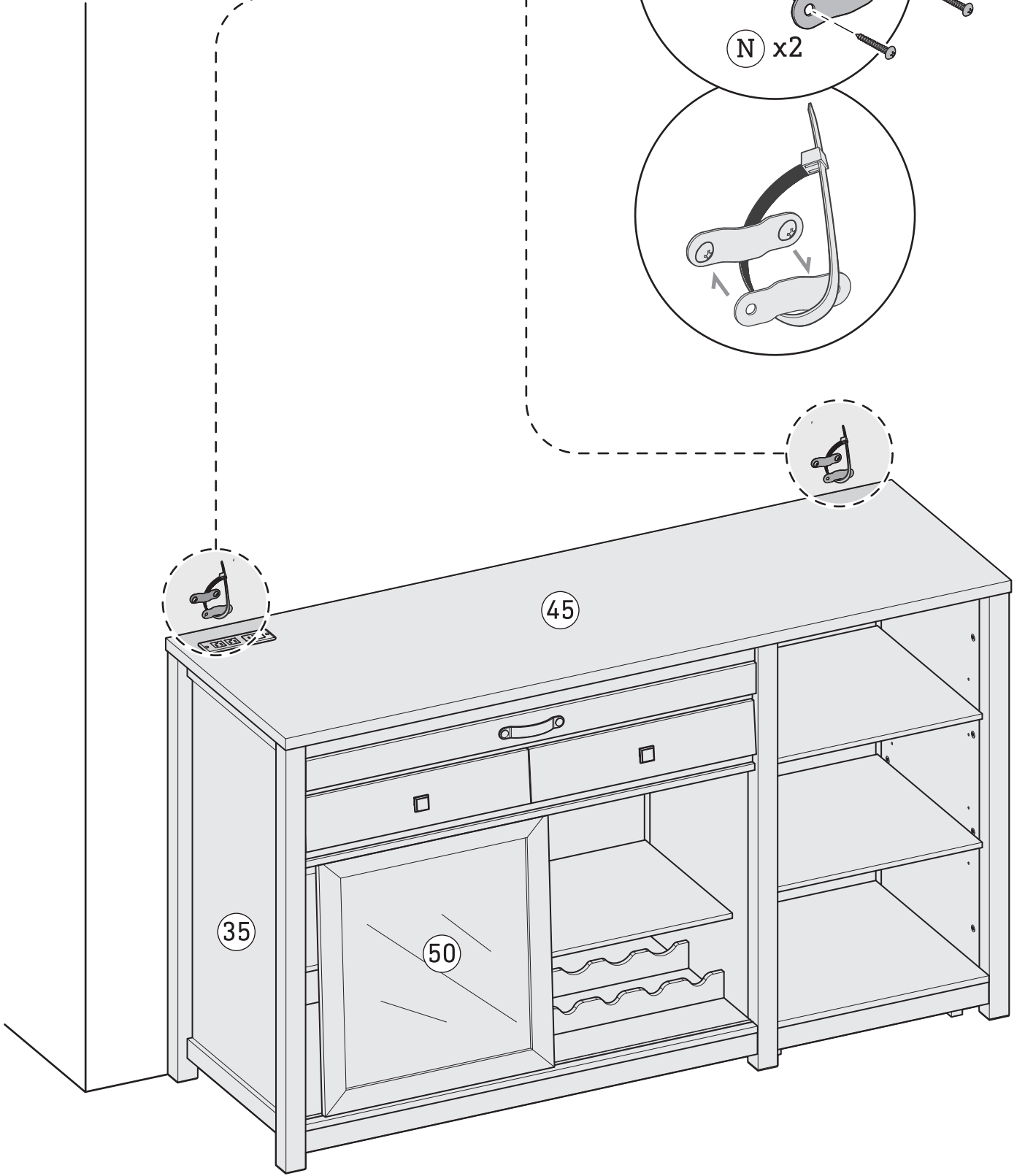
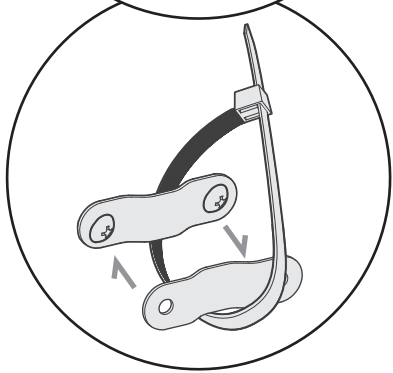
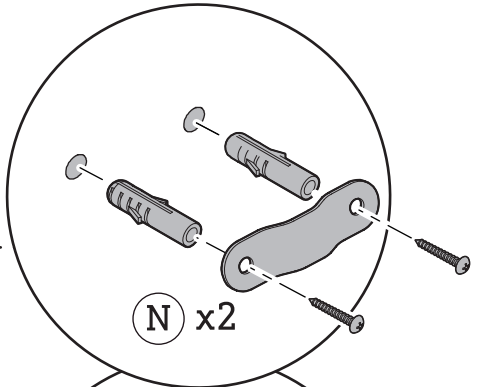
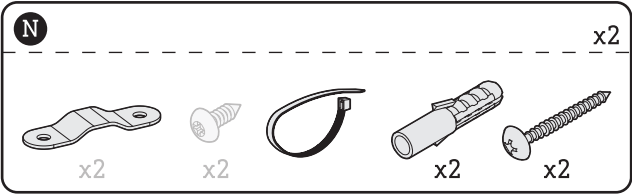
Step 66



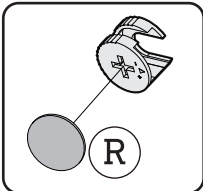
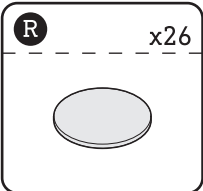
Step 67



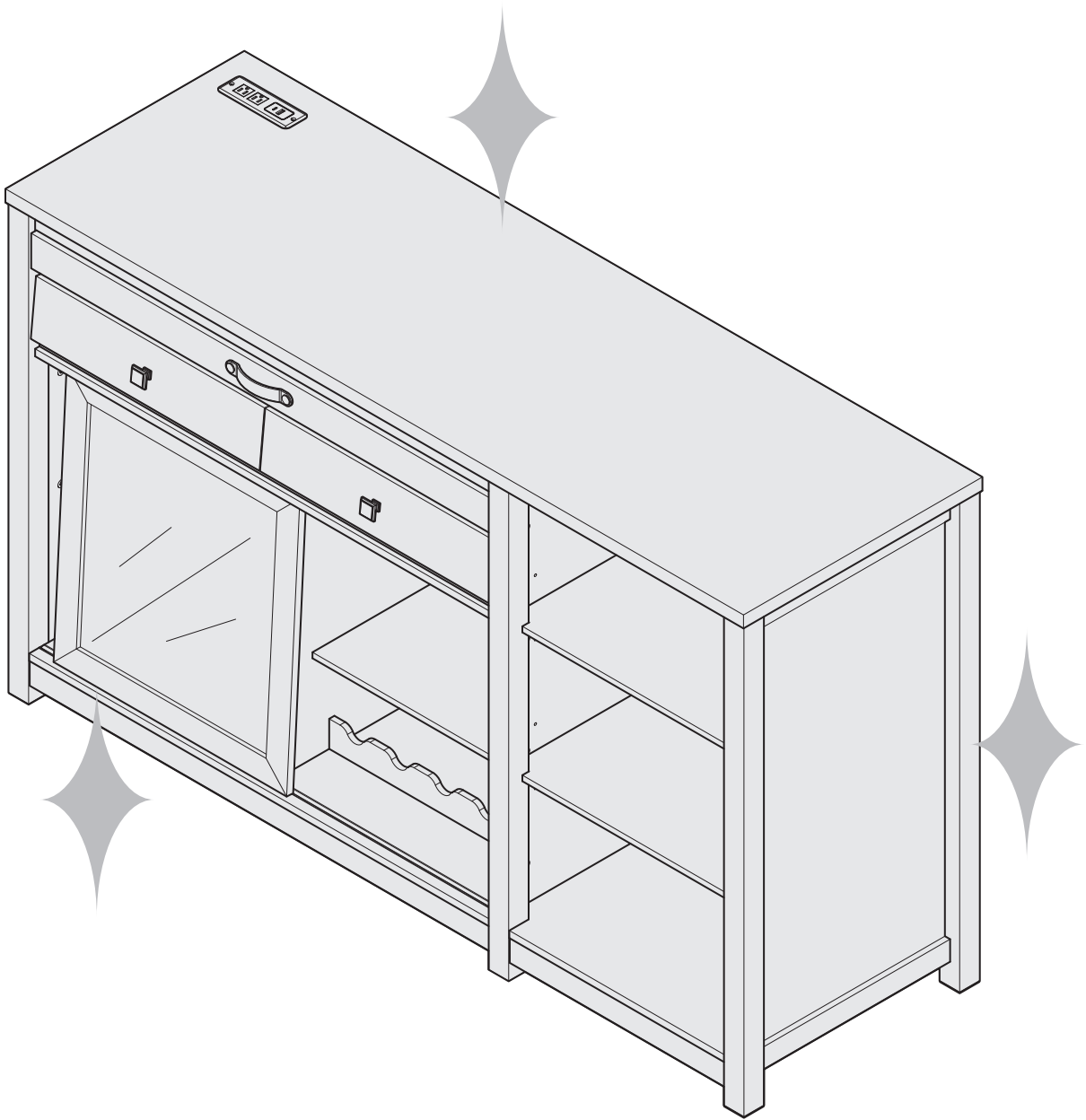
Step 68



Step 69



ENJOY!



STO'SENSE



Product ID:I870101420

