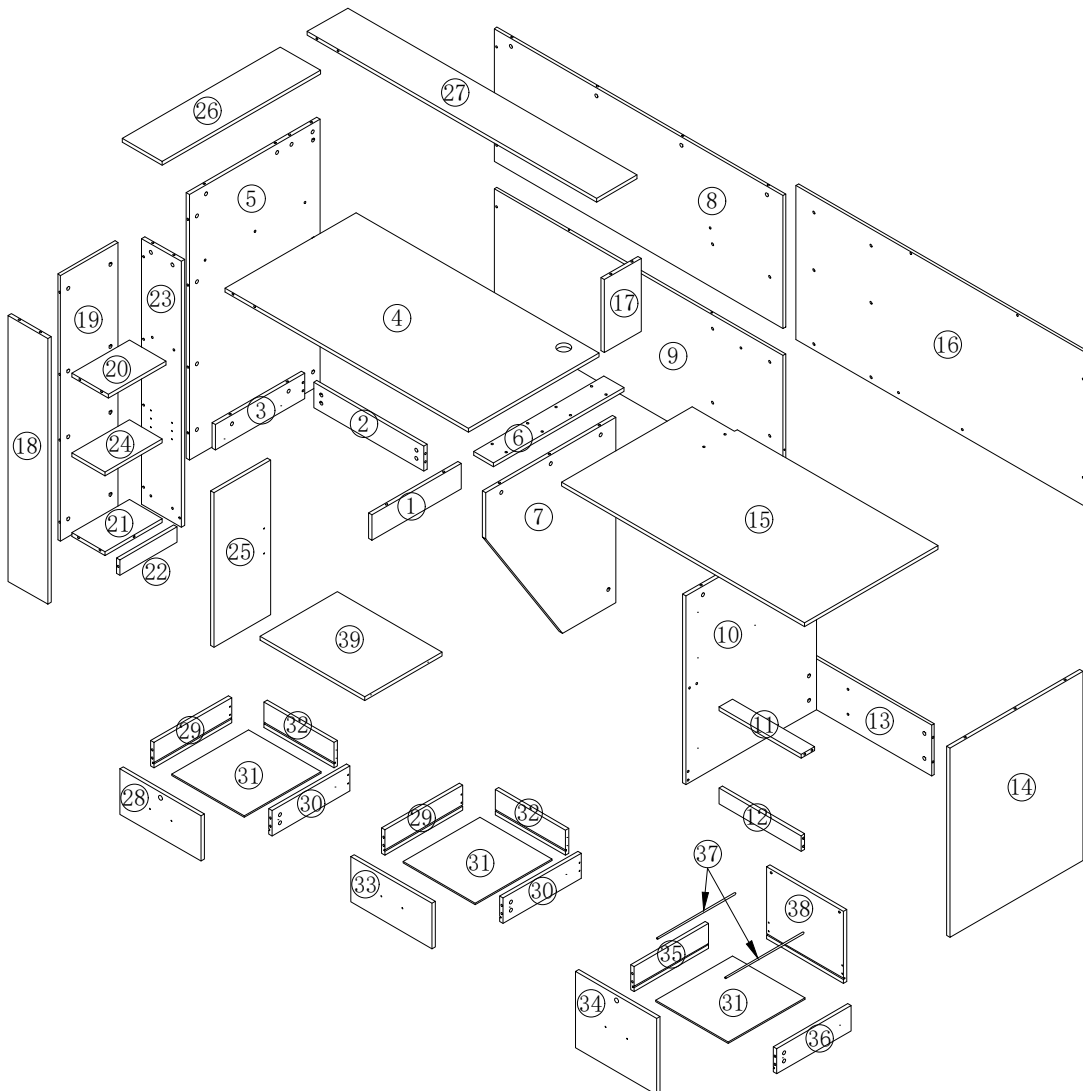
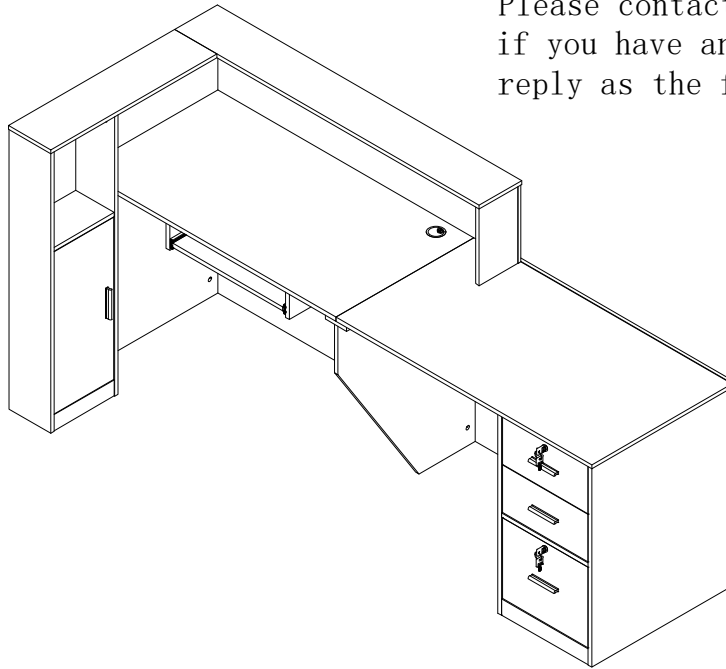


ASSEMBLY INSTRUCTION

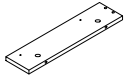
Please contact
if you have any questions, we will
reply as the first time.



ASSEMBLY INSTRUCTION

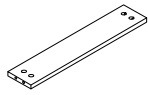
①

1PC



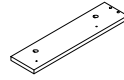
②

1PC



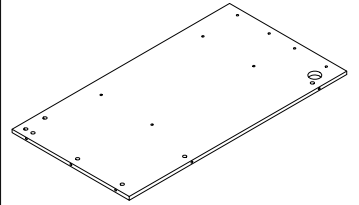
③

1PC



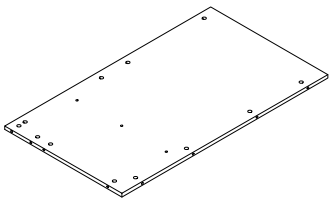
④

1PC



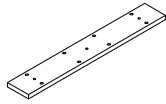
⑤

1PC



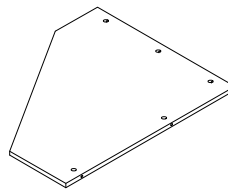
⑥

1PC



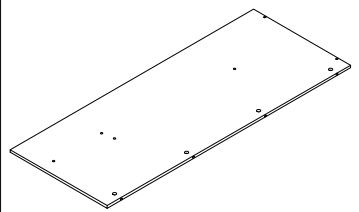
⑦

1PC



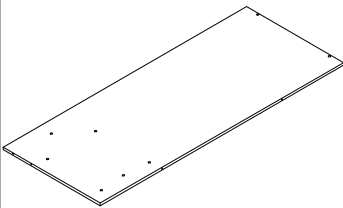
⑧

1PC



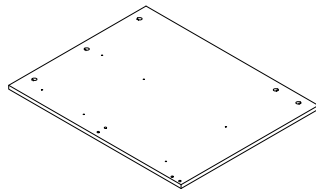
⑨

1PC



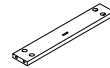
⑩

1PC



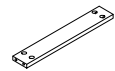
⑪

1PC



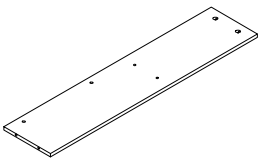
⑫

1PC



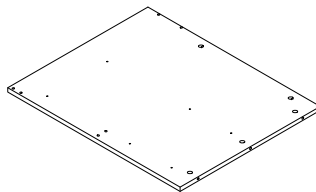
⑬

1PC



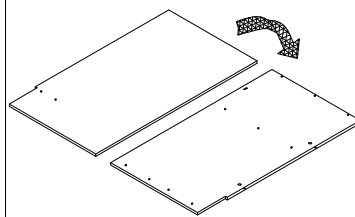
⑭

1PC



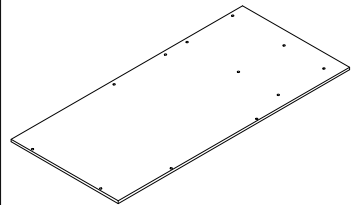
⑮

1PC



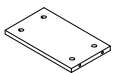
⑯

1PC



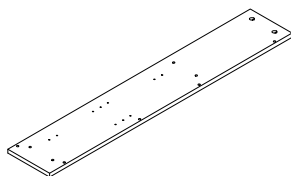
⑰

1PC



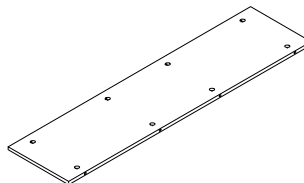
⑱

1PC



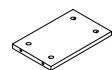
⑲

1PC

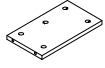
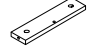
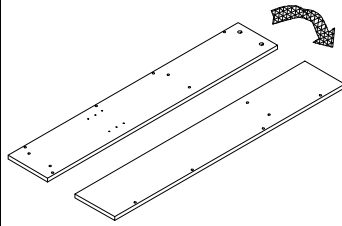
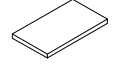
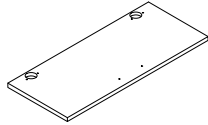
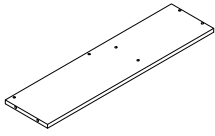
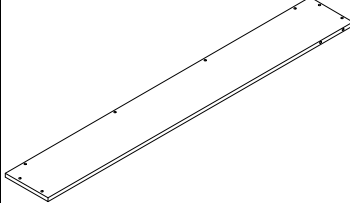
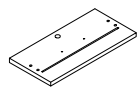
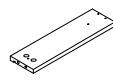
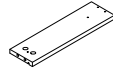
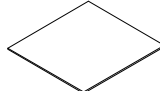
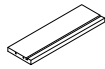
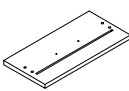
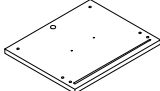
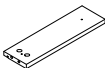
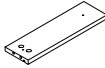

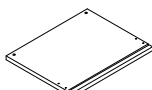
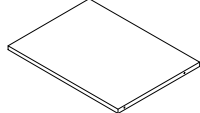


⑳








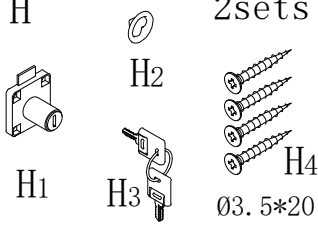

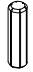

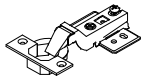




1PC



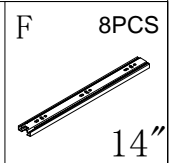
ASSEMBLY INSTRUCTION

<p>②1 1PC</p> 	<p>②2 1PC</p> 	<p>②3 1PC</p> 	<p>②4 1PC</p> 
<p>②5 1PC</p> 	<p>②6 1PC</p> 	<p>②7 1PC</p> 	<p>②8 1PC</p> 
<p>②9 2PCS</p> 	<p>③0 2PCS</p> 	<p>③1 3PCS</p> 	<p>③2 2PCS</p> 
<p>③3 1PC</p> 	<p>③4 1PC</p> 	<p>③5 2PCS</p> 	<p>③6 1PC</p> 
<p>③7 2PCS</p> 	<p>③8 1PC</p> 	<p>③9 1PC</p> 	

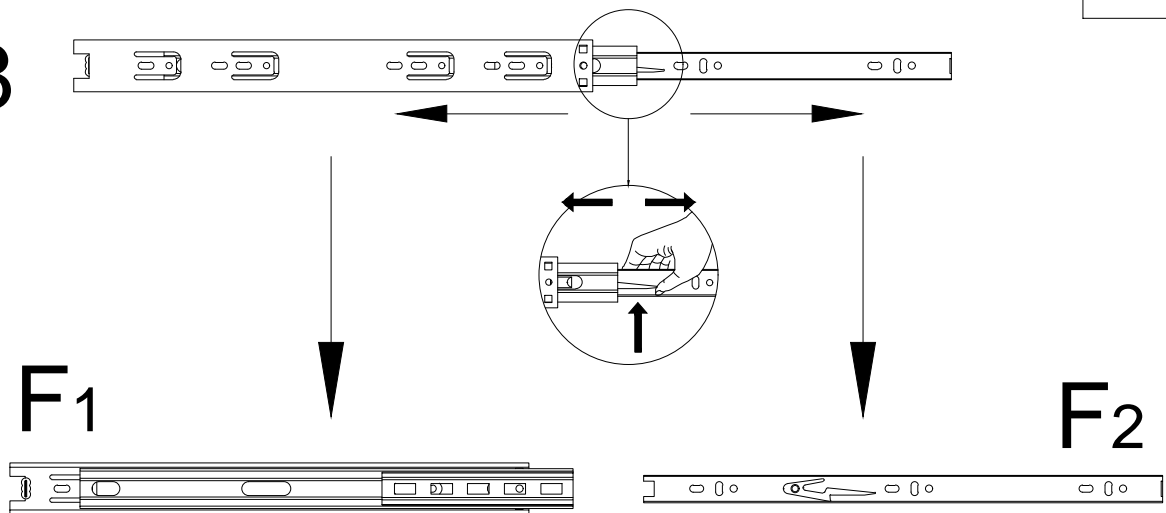
ASSEMBLY INSTRUCTION

<p>A 97PCS</p>  <p>M6*40</p>	<p>B 97PCS</p>  <p>Ø15*9.5</p>	<p>C 44PCS</p>  <p>Ø3.5*14</p>	<p>D 14PCS</p> 
<p>E 4sets</p>  <p>96# M4*18</p>	<p>F 8PCS</p>  <p>14"</p>	<p>G 12PCS</p>  <p>Ø3.5*40</p>	<p>H 2sets</p>  <p>H1 H2 H3 H4 Ø3.5*20</p>
<p>I 16PCS</p>  <p>M6*25</p>	<p>J 6PCS</p>  <p>Ø6*40</p>	<p>K 4PCS</p>  <p>Ø5*15</p>	<p>L 2PCS</p> 
<p>M 1PC</p>  <p>Ø50</p>	<p>N 85PCS</p> 	<p>O 12PCS</p> 	

Step 1



Fx8

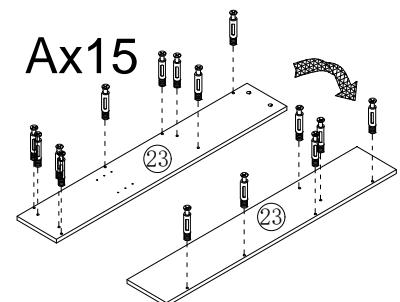
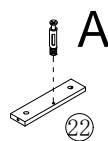
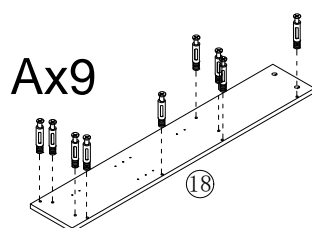
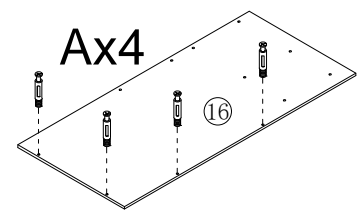
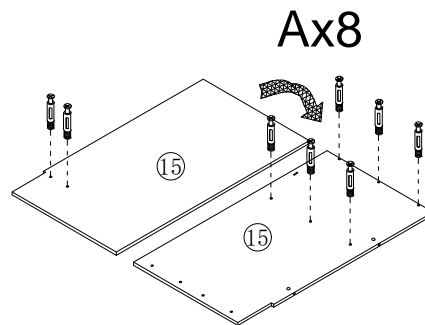
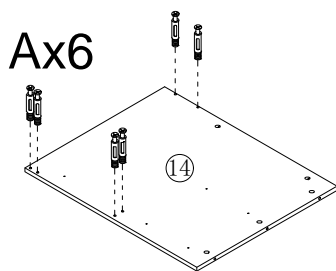
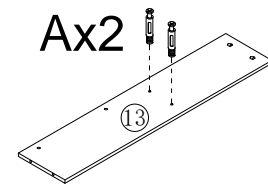
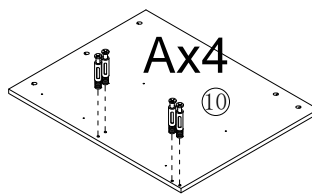
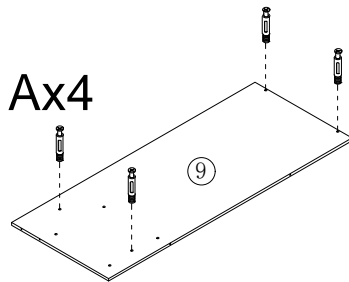
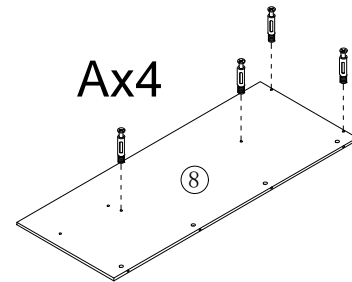
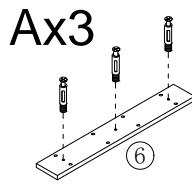
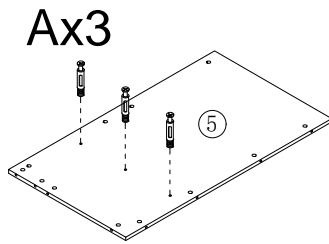
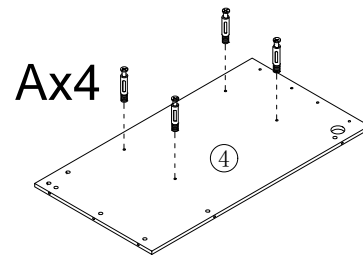
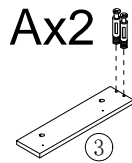
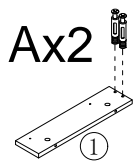


Step 2

A 71PCS



M6*40



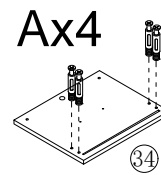
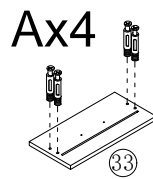
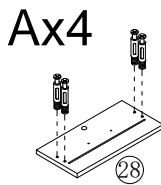
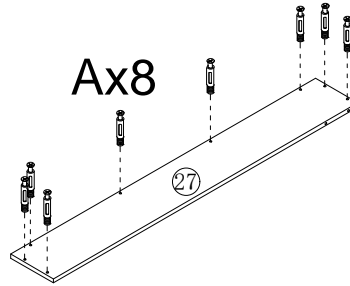
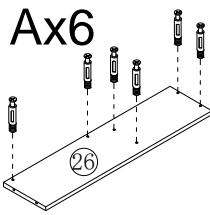
ASSEMBLY INSTRUCTION

Step 3

A 26PCS



M6*40



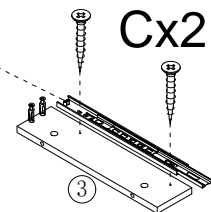
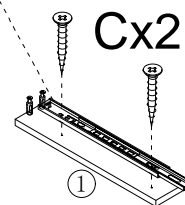
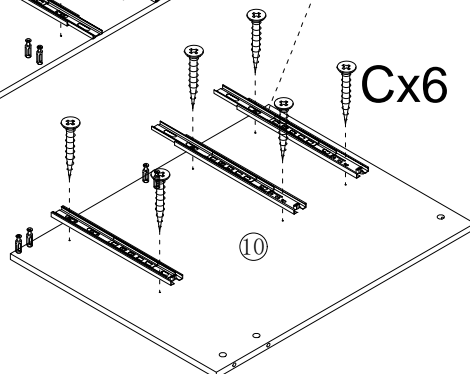
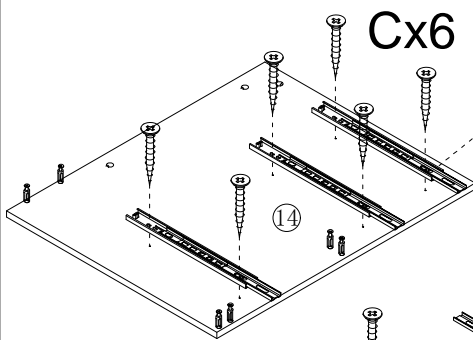
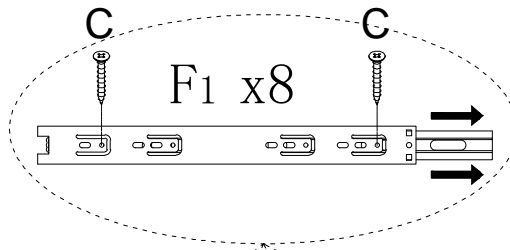
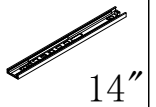
Step 4

C 16PCS



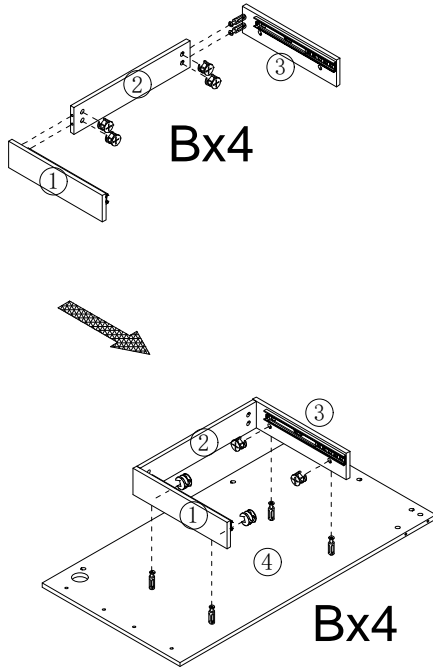
Ø3.5*14


F1 8PCS



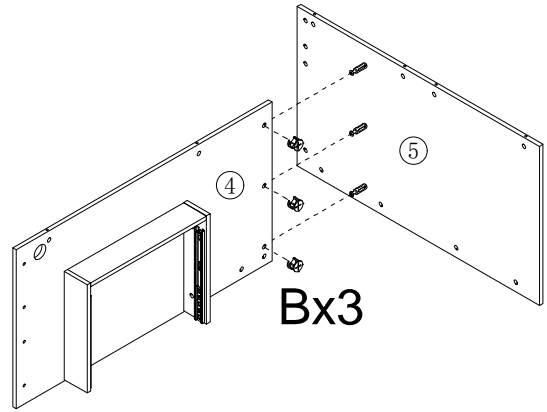
ASSEMBLY INSTRUCTION


Step 5



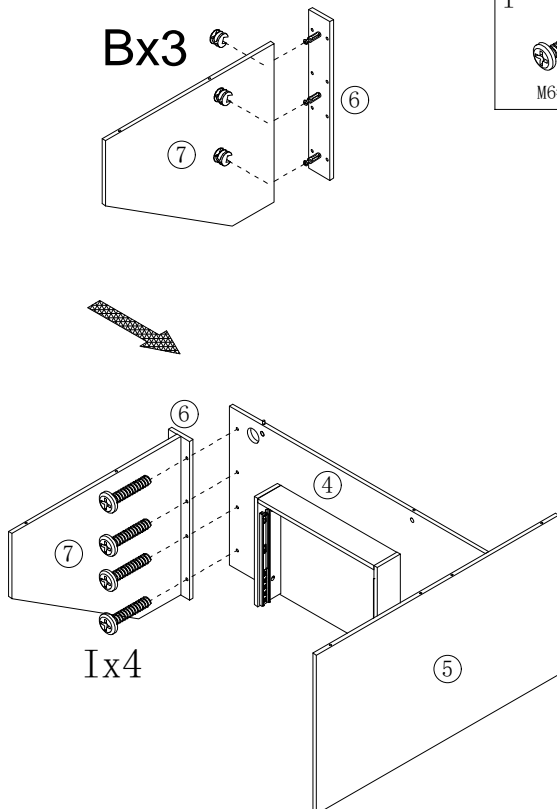
B 8PCS

Ø15*9.5


Step 6




B 3PCS

Ø15*9.5

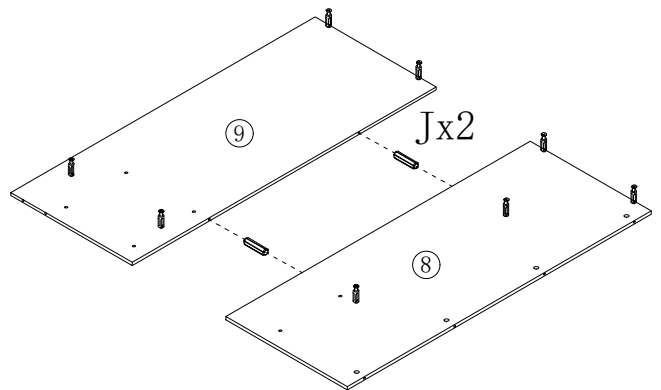
Step 7




B 3PCS

Ø15*9.5

I 4PCS

M6*25

Step 8

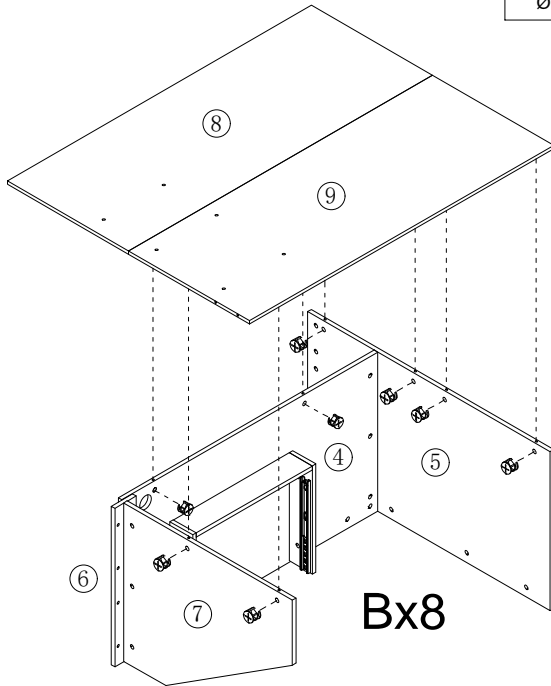


J 2PCS

Ø6*40

ASSEMBLY INSTRUCTION

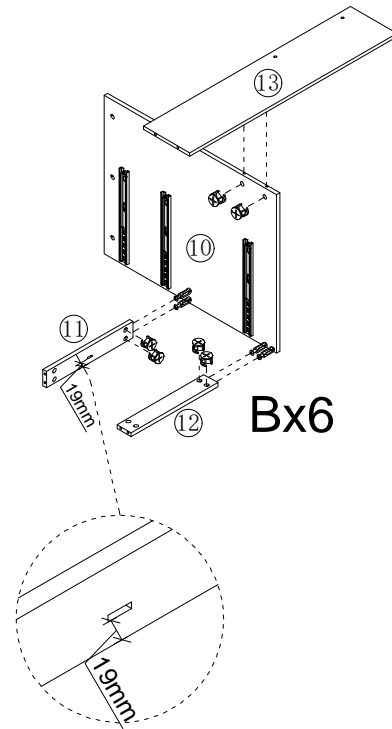
Step 9

B 8PCS
Ø15*9.5



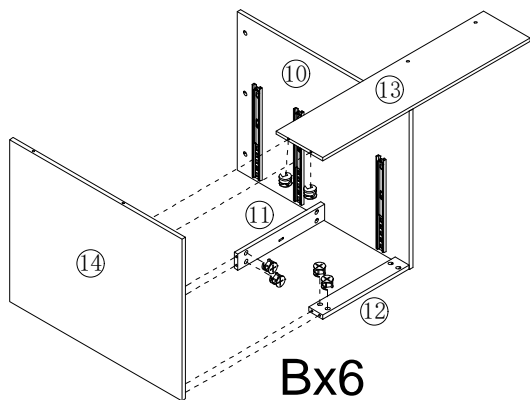
Step 10

B 6PCS
Ø15*9.5



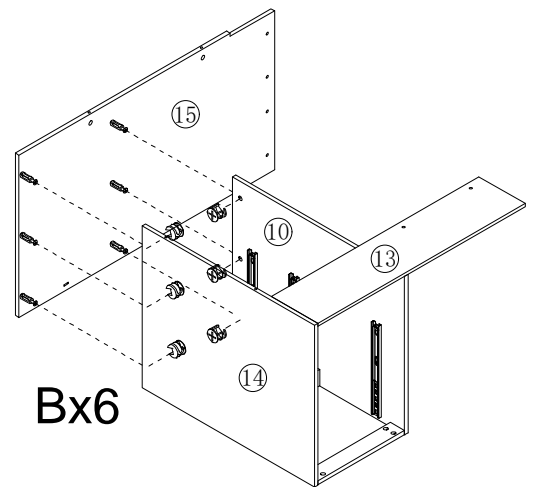
Step 11

B 6PCS
Ø15*9.5




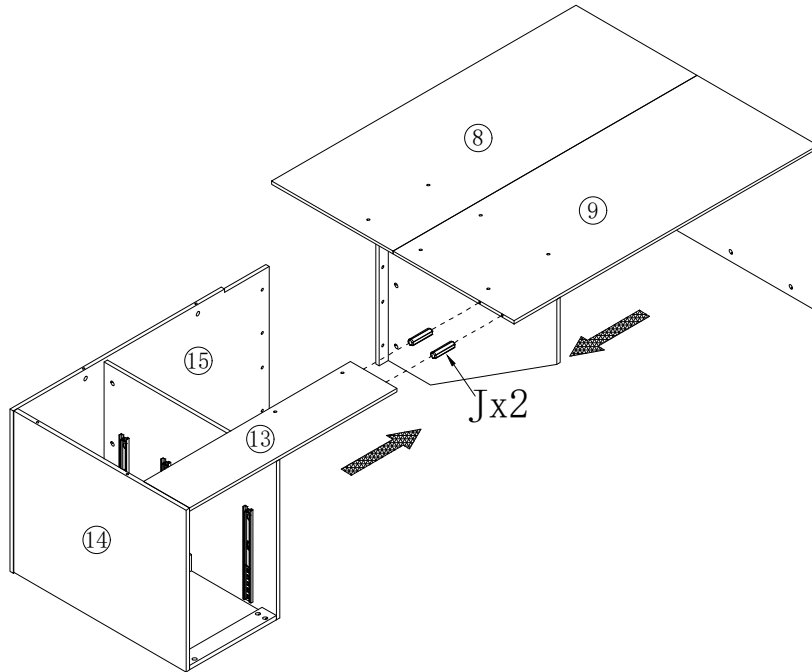
Step 12

B 6PCS
Ø15*9.5




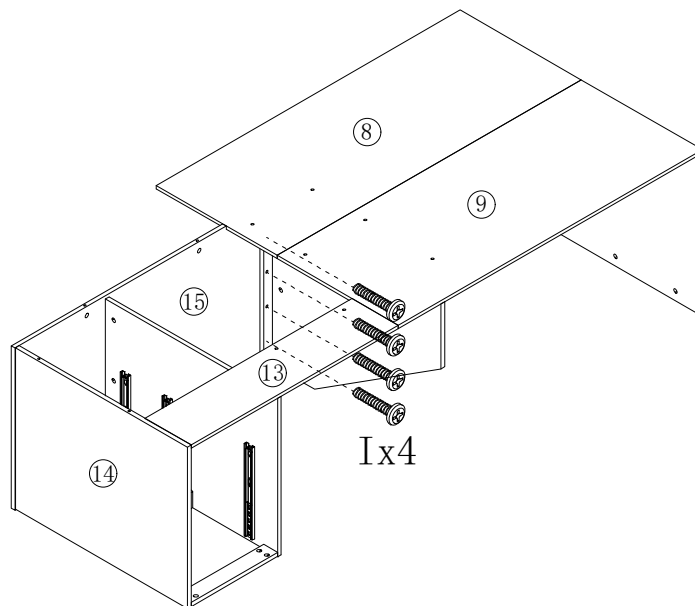
Step 13

J 2PCS

Ø6*40



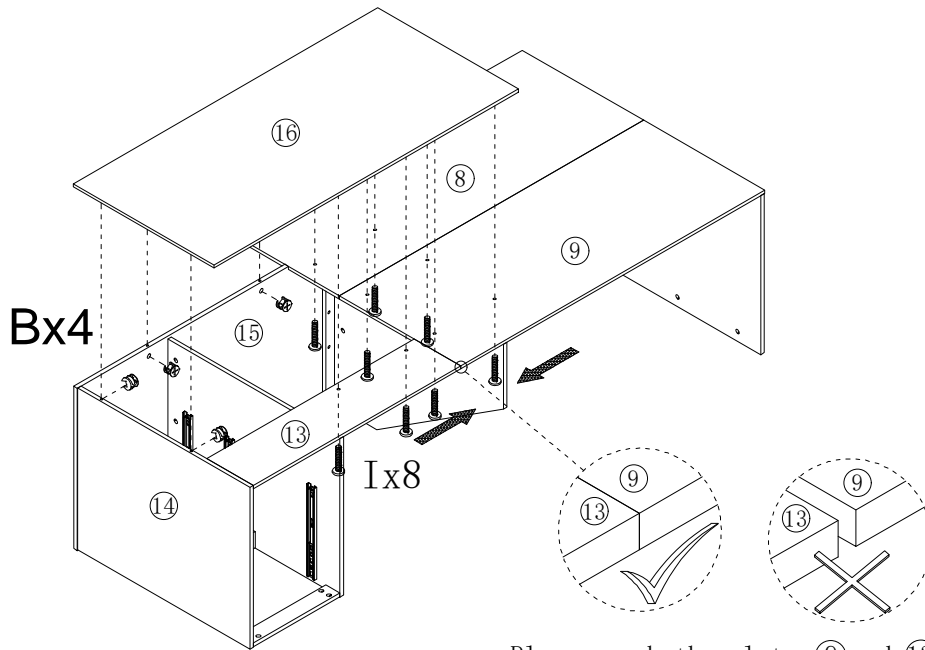
Step 14

I 4PCS

M6*25



ASSEMBLY INSTRUCTION

Step 15

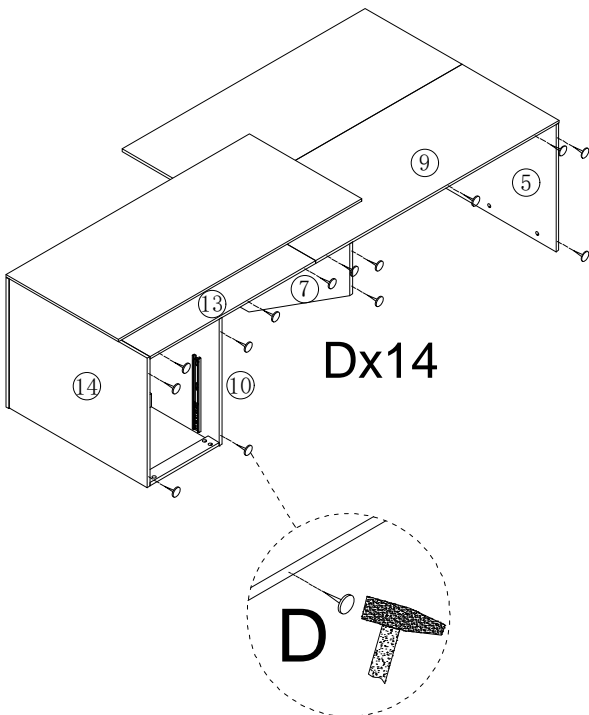


B	4PCS
	Ø15*9.5
I	8PCS
	M6*30

Please push the plates ⑨ and ⑬ tightly together, and then tighten the accessory screw I.

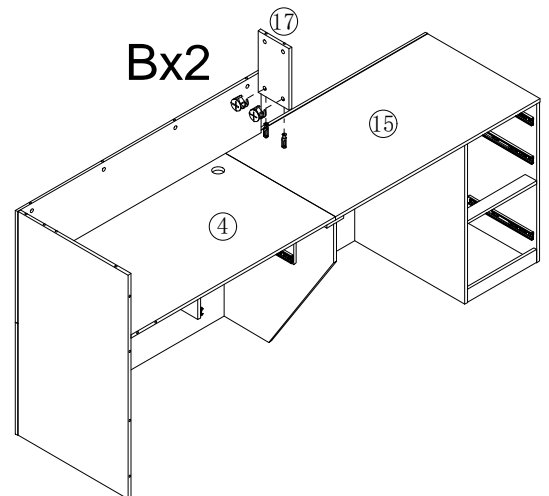
Step 16

D	14PCS




Step 17

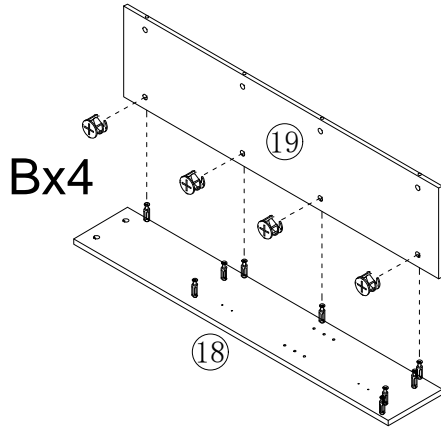
B	2PCS
	Ø15*9.5




ASSEMBLY INSTRUCTION

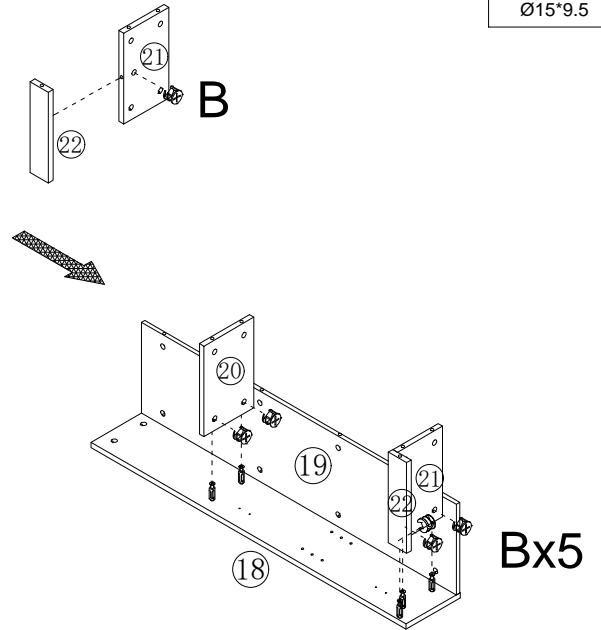
Step 18

B 4PCS

Ø15*9.5




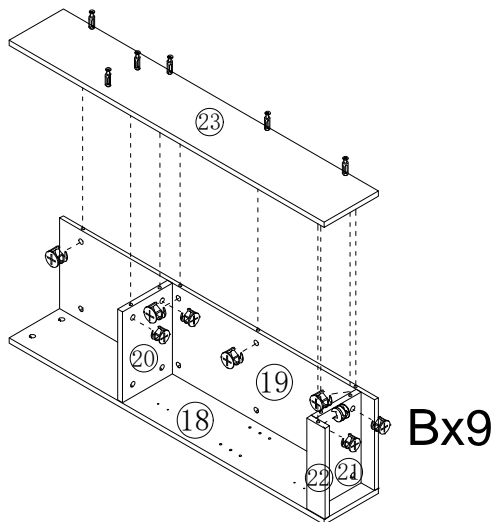
Step 19

B 6PCS

Ø15*9.5




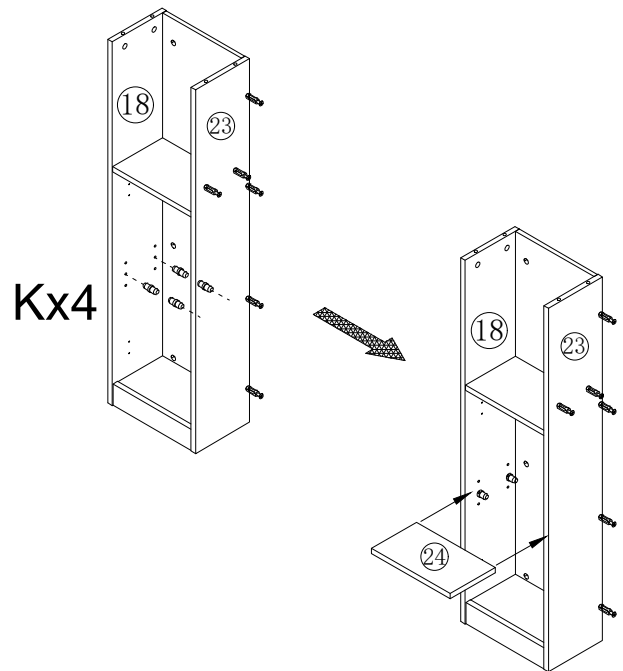
Step 20

B 9PCS

Ø15*9.5



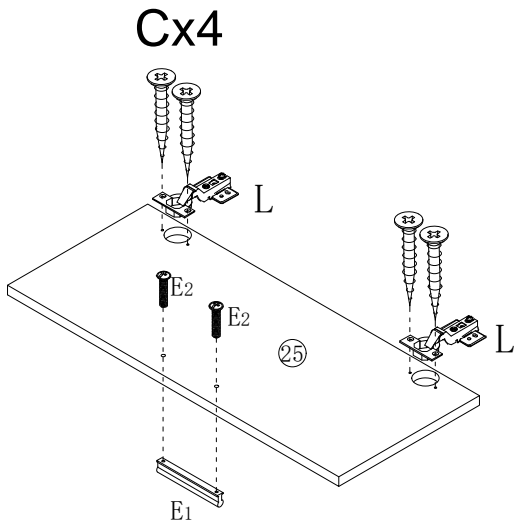
Step 21

K 4PCS

Ø5*15



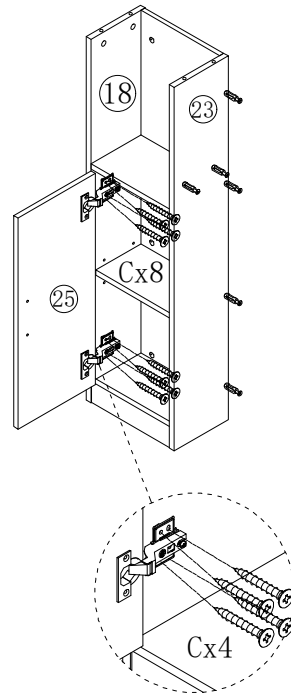
ASSEMBLY INSTRUCTION

Step 22



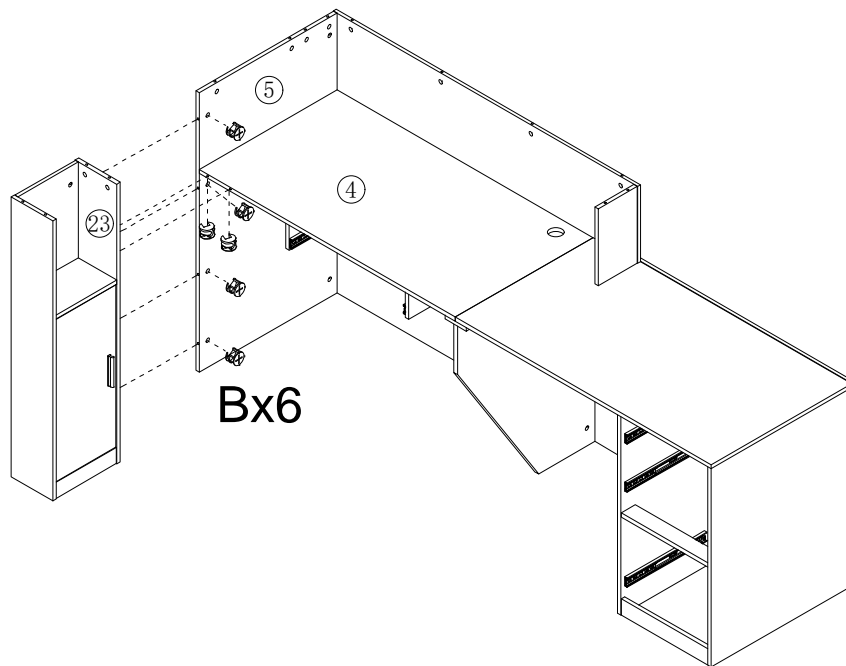
- C 4PCS
Ø3.5*14
- E 1set
96# M4*18
- L 2PCS

Step 23



- C 8PCS
Ø3.5*14

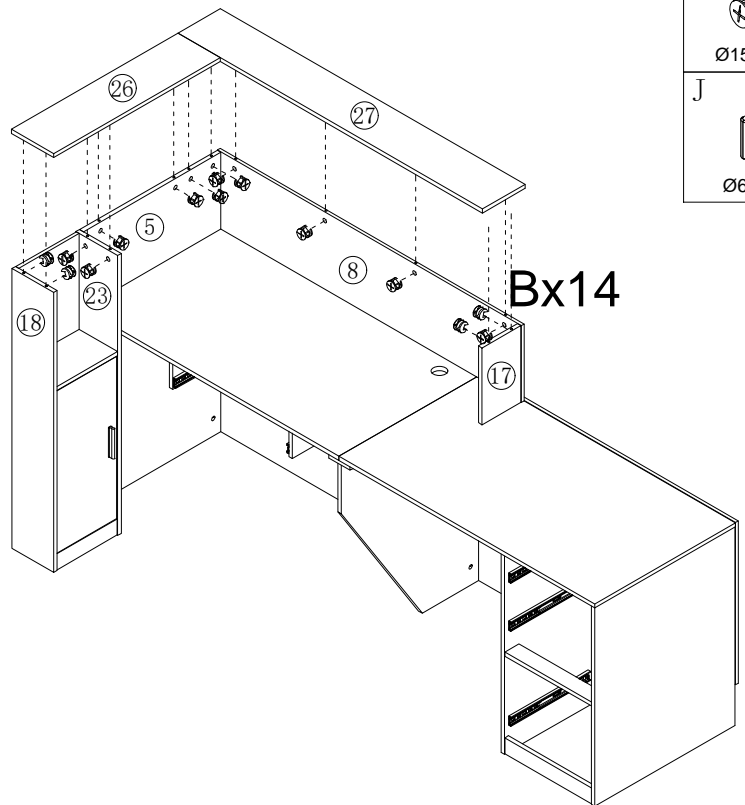
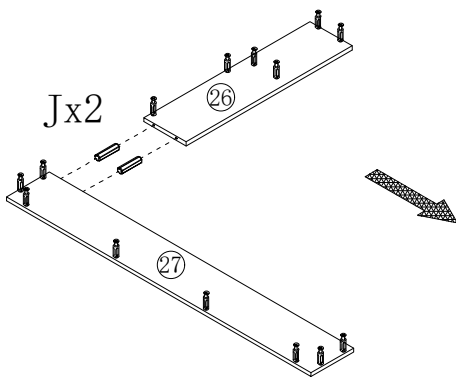
Step 24



- B 6PCS
Ø15*9.5

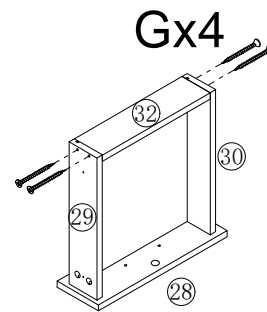
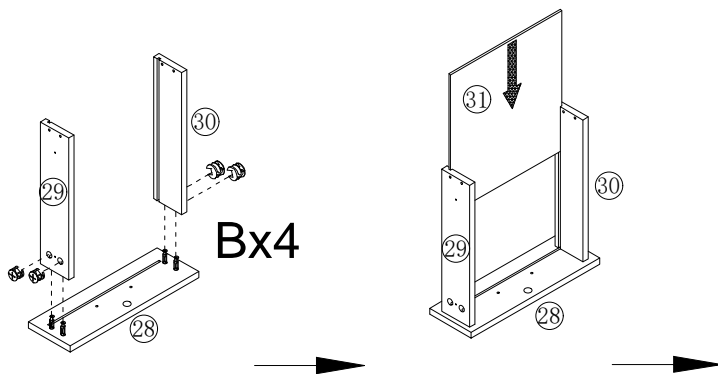
ASSEMBLY INSTRUCTION

Step 25

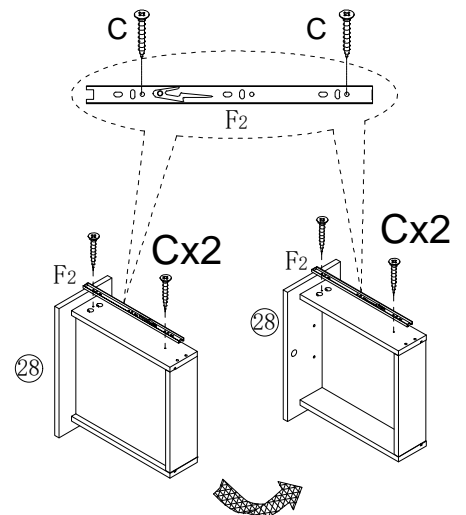
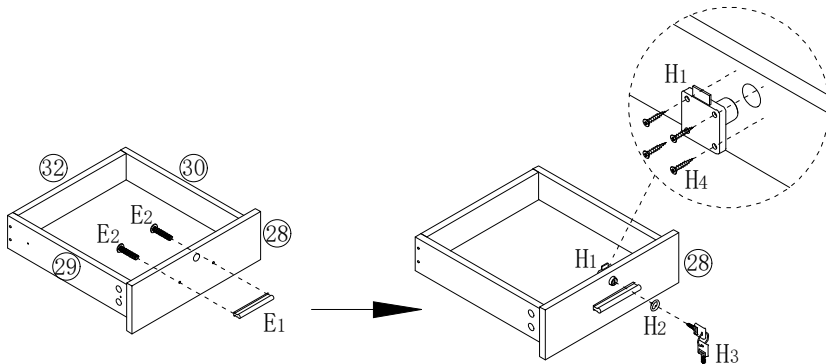


B	14PCS
	Ø15*9.5
J	2PCS
	Ø6*40

Step 26

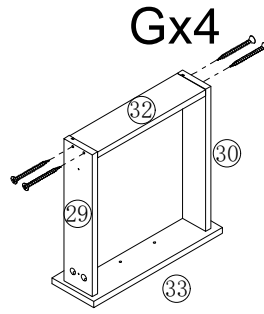
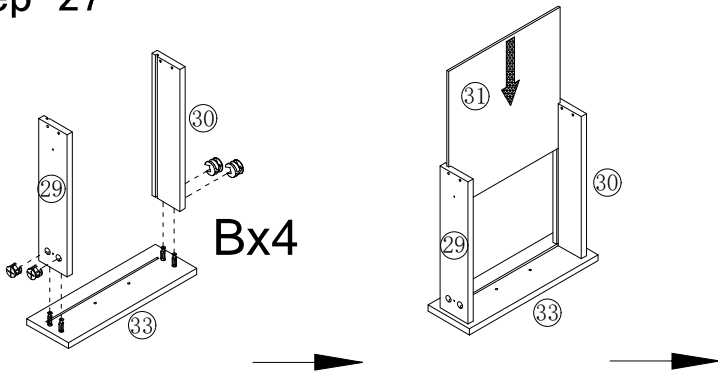


B	4PCS	F ₂	2PCS
	Ø15*9.5		14"
C	4PCS	G	4PCS
	Ø3.5*14		Ø3.5*40
E	1set	H	1set
96#	M4*18	H ₁	H ₂
		H ₃	H ₄

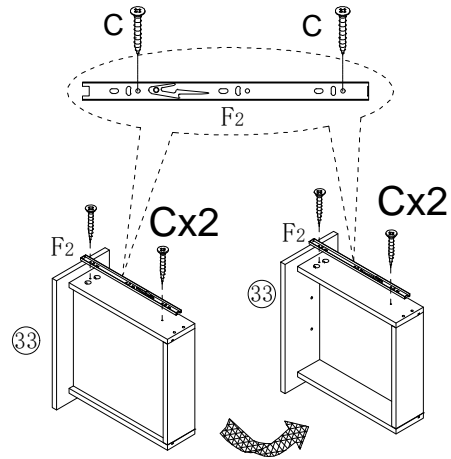
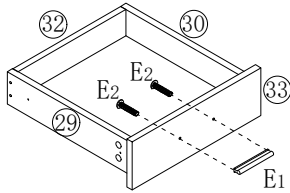


ASSEMBLY INSTRUCTION

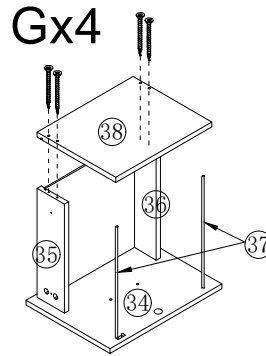
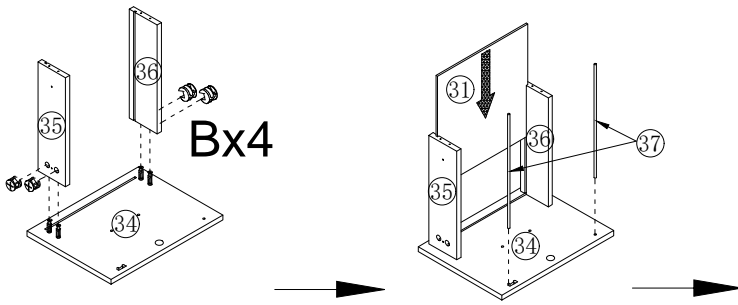
Step 27



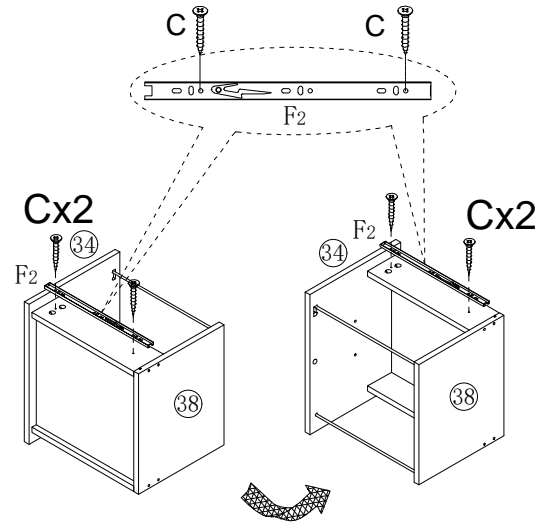
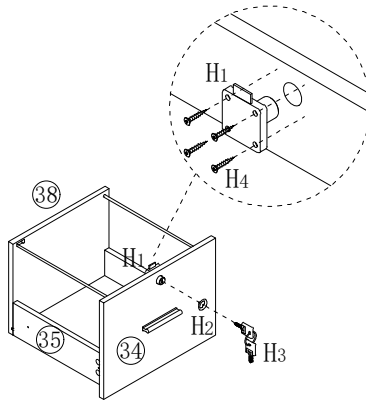
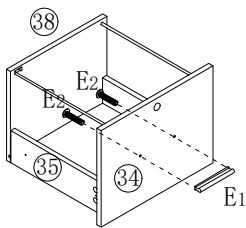
B	4PCS	E	1set
	Ø15*9.5	96#	M4*18
C	4PCS	F ₂	2PCS
	Ø3.5*14	14"	
G	4PCS		
	Ø3.5*40		



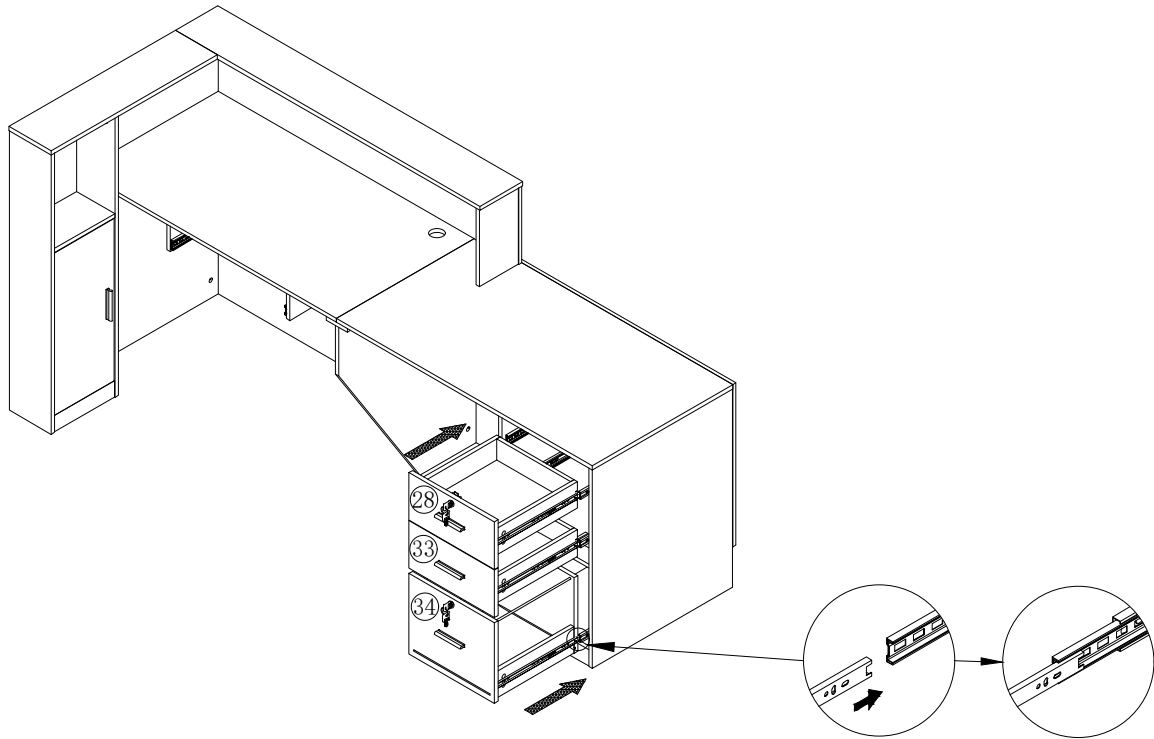
Step 28



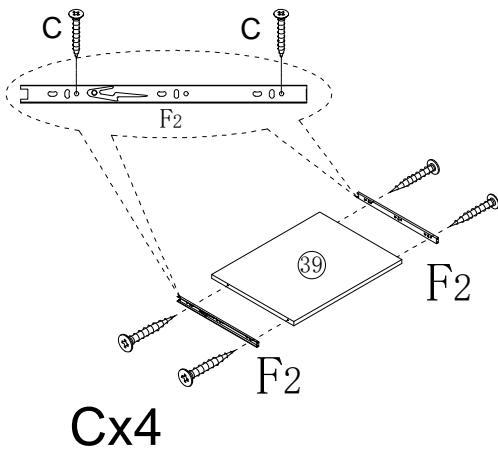
B	4PCS	F ₂	2PCS
	Ø15*9.5	14"	
C	4PCS	G	4PCS
	Ø3.5*14	Ø3.5*40	
E	1set	H	1set
	96#	M4*18	ØH ₁ ØH ₂ ØH ₃ ØH ₄





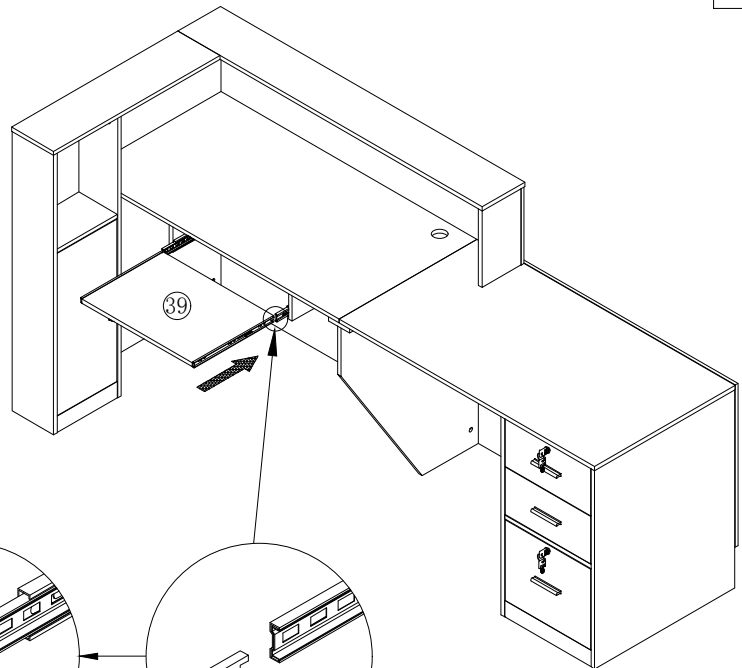
Step 29




Step 30

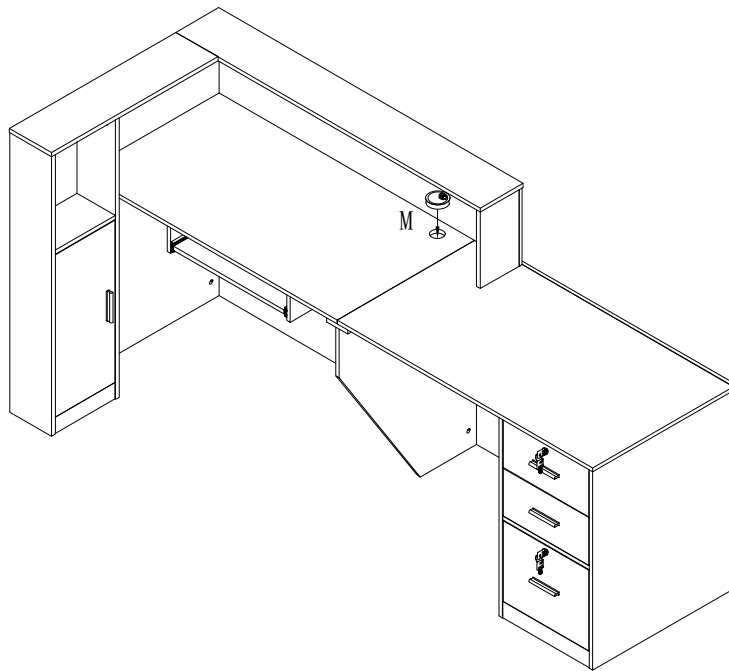


C	4PCS
	
Ø3.5*14	
F2	2PCS
	
14"	

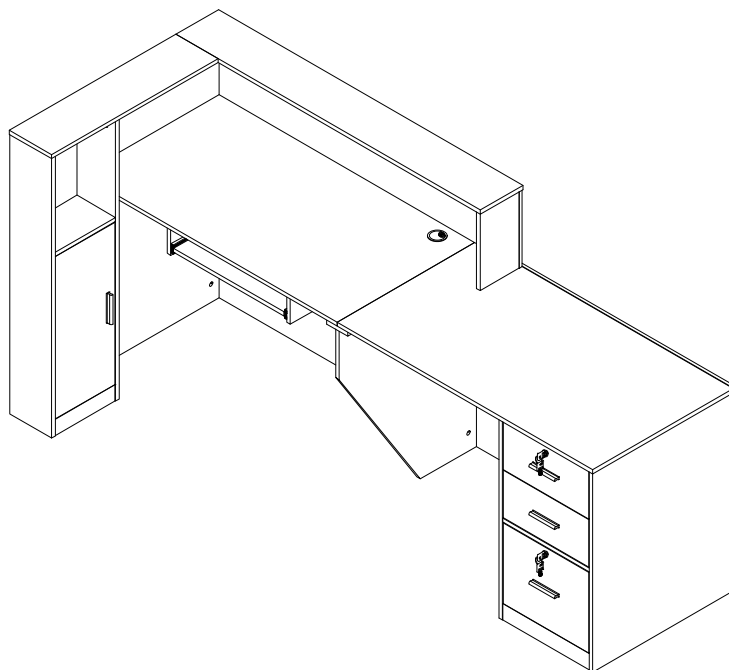


Step 31

M 1PC

Ø50



Step 32



OK