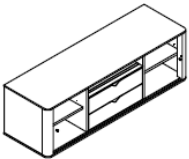
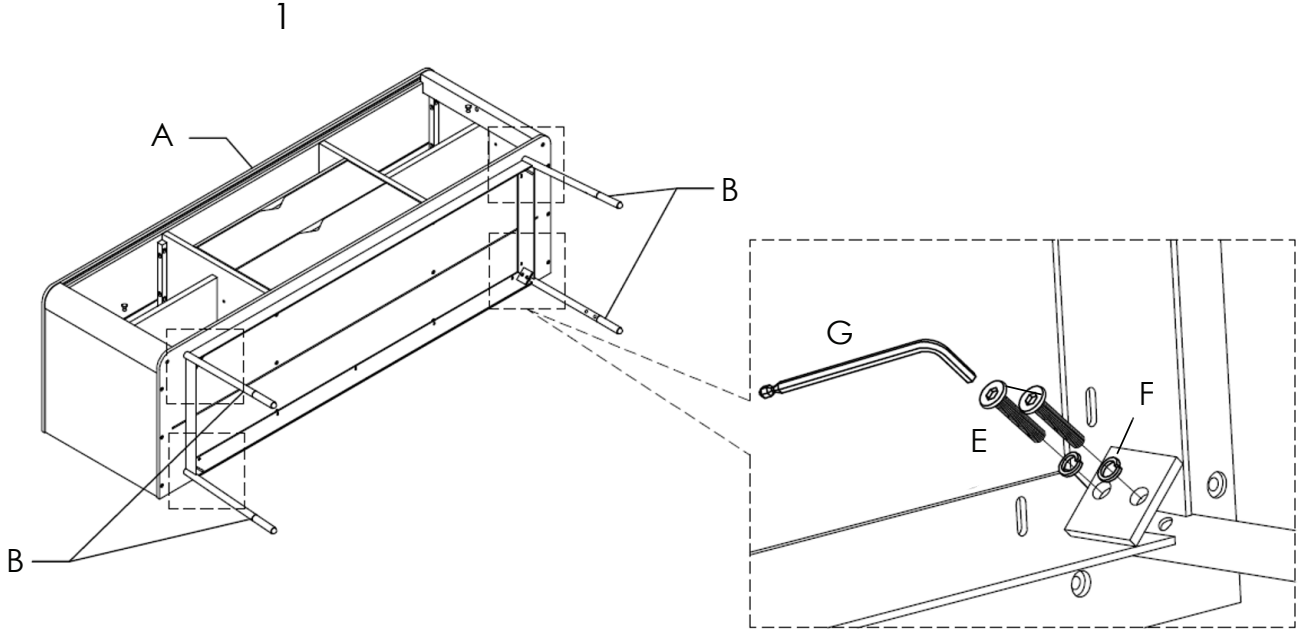
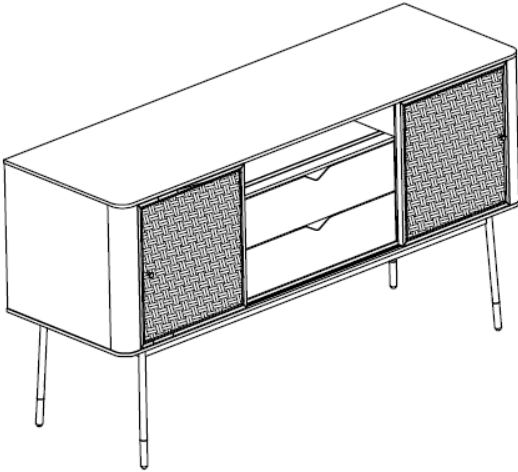
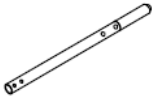


PLEASE NOTE: Check that you have received all components and hardware before assembling.

# Assembly Instructions Sideboard



A (1 pc)



B (4 pcs)



C (1 pc)  
Door (L)



D (1 pc)  
Door (R)



E (8 pcs)  
M6 x 25mm



F (8 pcs)  
M6



G (1 pc)  
4mm



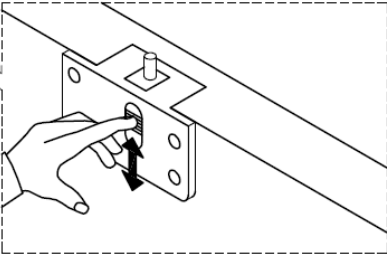
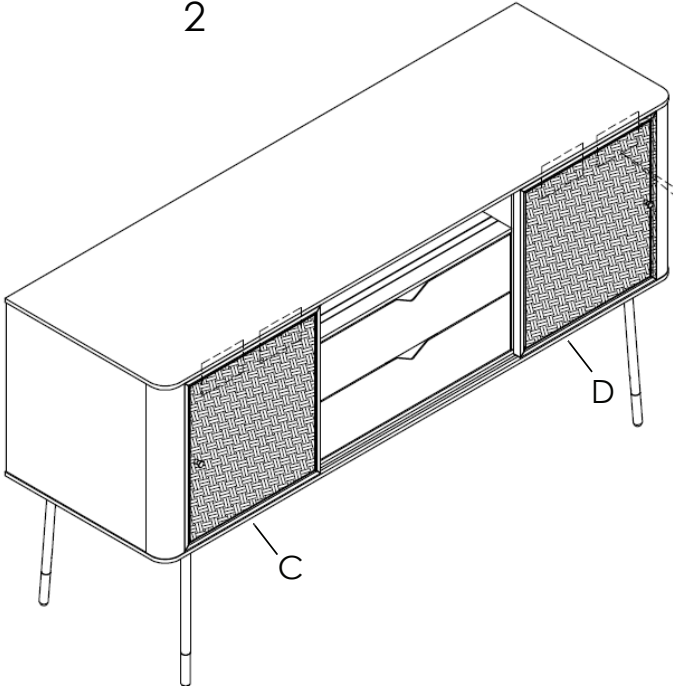
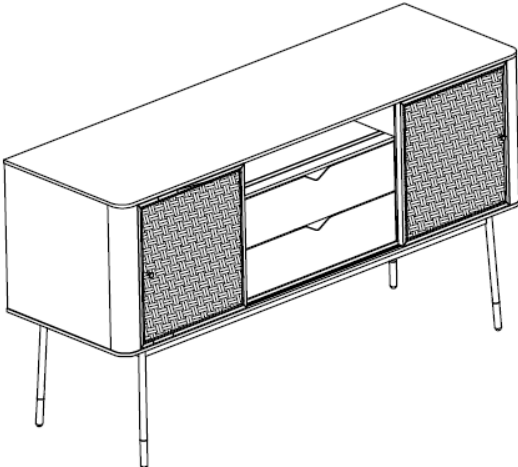
H (1 pc)  
Furniture Tipping  
Restraint

During assembly, hand tighten screws only. When the screws are in place, tighten completely.

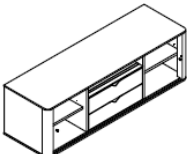
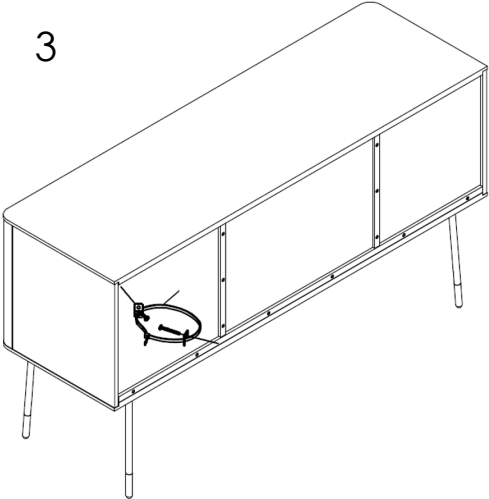
PLEASE NOTE: Check that you have received all components and hardware before assembling.

# Assembly Instructions Cabinet

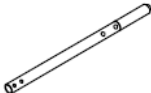
2



3



A (1 pc)



B (4 pcs)



C (1 pc)  
Door (L)



D (1 pc)  
Door (R)



E (8 pcs)  
M6 x 25mm



F (8 pcs)  
M6



G (1 pc)  
4mm



H (1 pc)  
Furniture Tipping  
Restraint

CAUTION: Before mounting to the wall, make sure the screws are suitable for the wall type.

During assembly, hand tighten screws only. When the screws are in place, tighten completely.