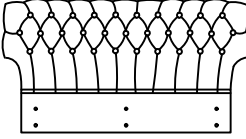
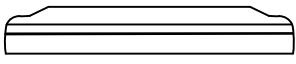

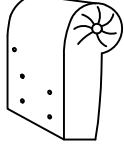









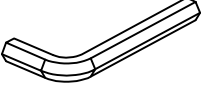
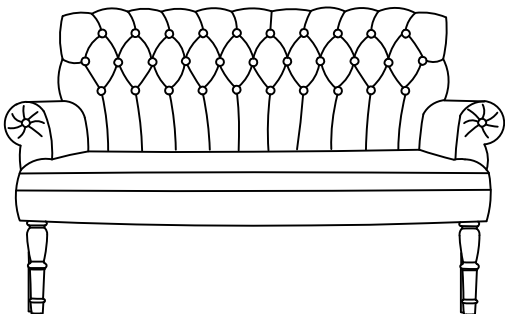


# ASSEMBLY INSTRUCTION

## SOFA

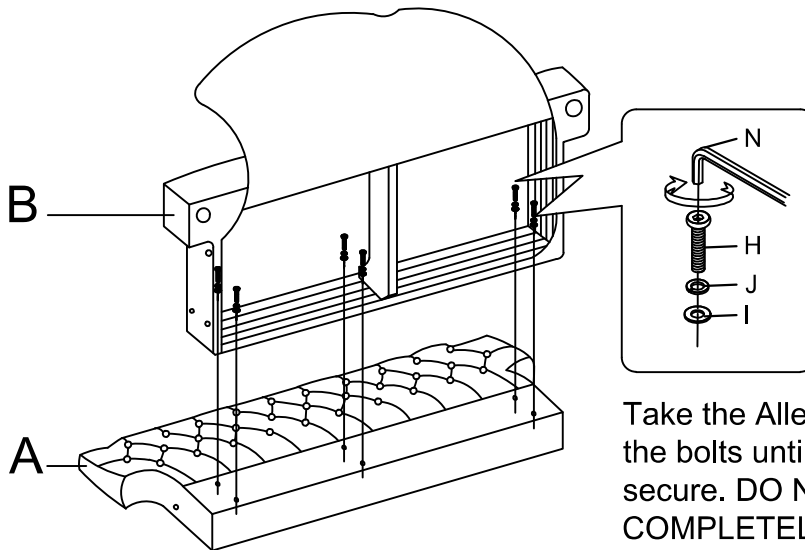
<b>A</b> Back Rest  1 pc	<b>B</b> Seat Frame  1 pc	<b>C</b> Left Arm  1 pc
<b>D</b> Right Arm  1 pc	<b>E</b> Front Leg  2 pcs	<b>F</b> Back Left Leg  1 pc
<b>G</b> Back Right Leg  1 pc	<b>H</b> Bolt 5/16" x 2"  16 pcs	<b>I</b> Flat Washer 5/16"  16 pcs
<b>J</b> Lock Washer 5/16"  16 pcs	<b>K</b> Bolt 1/4" x 1"  6 pcs	<b>L</b> Flat Washer 1/4"  6 pcs
<b>M</b> Lock Washer 1/4"  6 pcs	<b>N</b> Allen Wrench 1/6"  1 pc	



This page lists all the contents included in the box. Please take the time to identify the hardware as well as the individual components to this product. As you unpack and prepare for assembly, place the contents on a carpeted or padded area to protect them from damage.

**1**

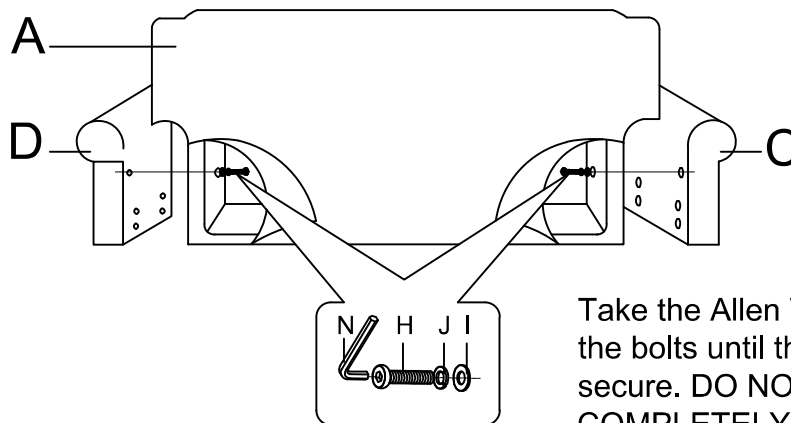
Place the Back Rest(A) upside down smooth carpet surface. Fix the Back Rest(A) and Seat Frame(B) by Bolts(H), Lock Washers(J) and Flat Washers(I) with Allen Wrench(N).



Take the Allen Wrench, and turn the bolts until the legs are secure. **DO NOT TIGHTEN COMPLETELY.** Stop when you feel you are adding force to tighten the bolt.

**2**

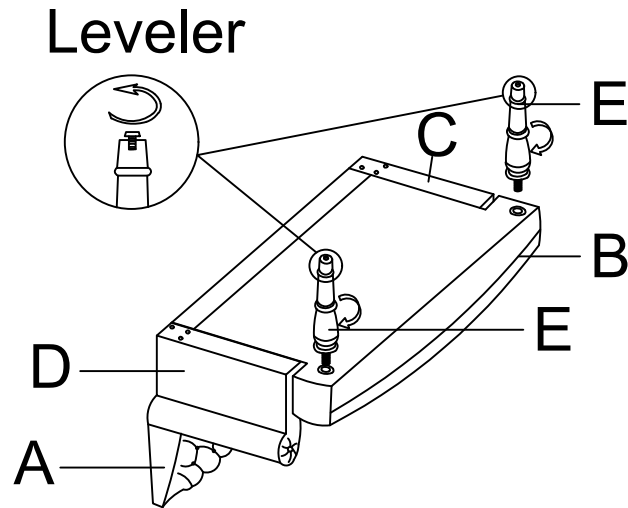
Tighten the Left Arm(C), Right Arm(D) and Back Rest(A) and Seat Frame(B) by Bolts(H), Lock Washers(J) and Flat Washers(I) with Allen Wrench(N).



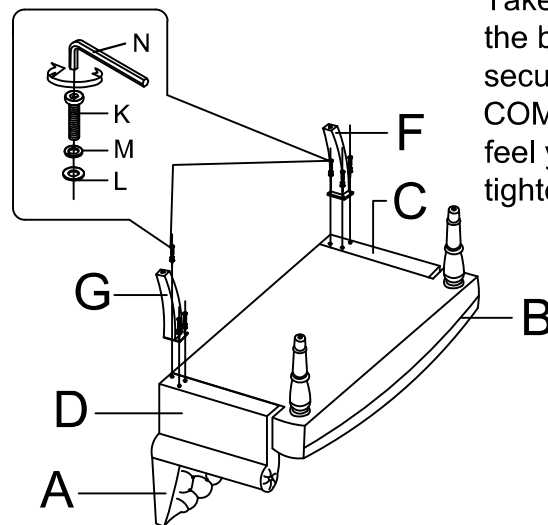
Take the Allen Wrench, and turn the bolts until the legs are secure. **DO NOT TIGHTEN COMPLETELY.** Stop when you feel you are adding force to tighten the bolt.

**3**

Tighten the Front Leg(E) and Seat Frame(B)

**4**

Tighten the Back Left Leg(F) and Back Right Leg(G) by Bolts(K), Lock Washer(M) and Flat Washer(L) with Allen Wrench(N).



Take the Allen Wrench, and turn the bolts until the legs are secure. **DO NOT TIGHTEN COMPLETELY.** Stop when you feel you are adding force to tighten the bolt.

### Cleaning & Care

Treat surface with care. Surface is resistant to scratches but is not scratch resistant. Clean surfaces with a dry or damp soft cloth. Do not use abrasive cleaners. Hardware may loosen over time. Periodically check that all connections are tight.