

2

1

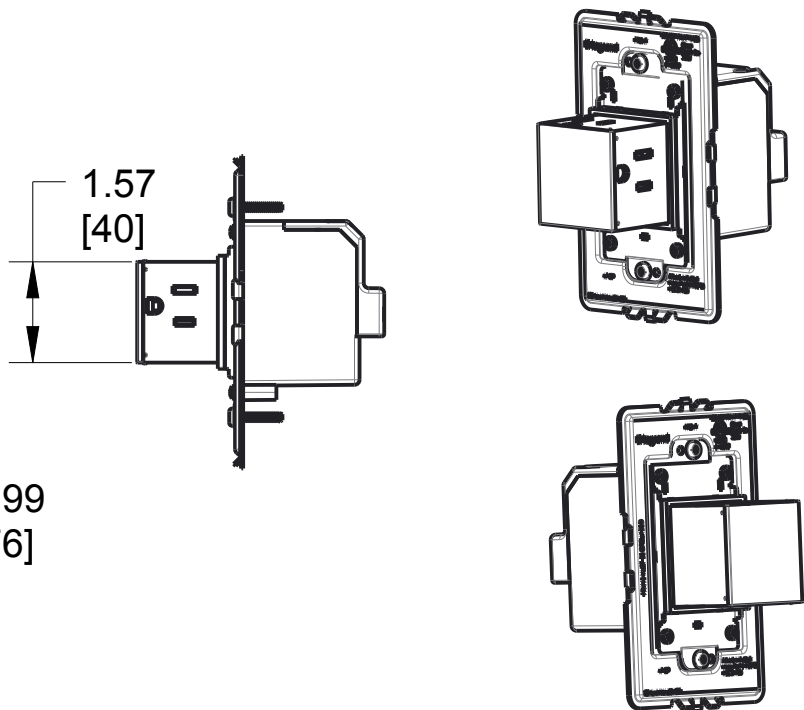
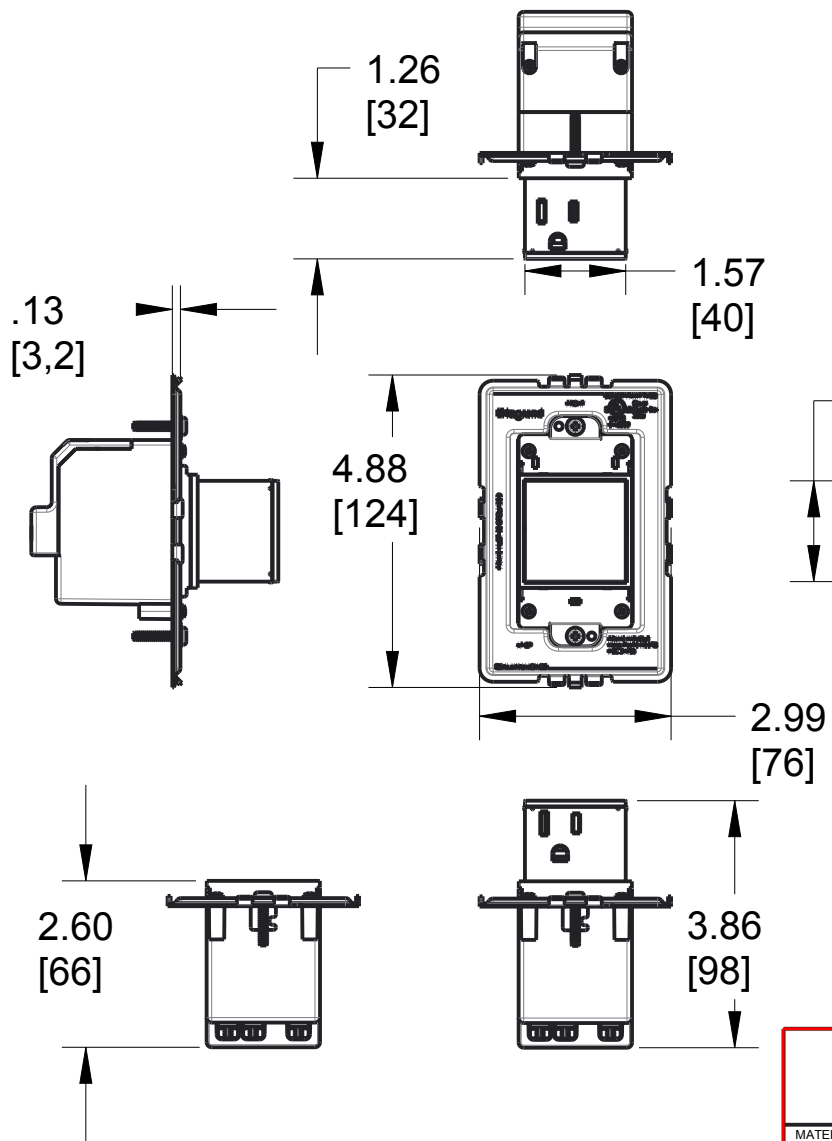
REV	EC.NO.	DATE	DESCRIPTION	DFTR	CK.
A			INITIAL RELEASE		

B

B

A

A



Includes 1-Gang Dedicated Subframe
 Must Use Deep Wallbox (ex.S122R)
 3rd Party Compliance: cULus LISTED
 Rating: 15amp
 For Use With adorne System Only

ARPTR151G, Pop-Out Receptacle 1-Gang

MATERIAL	SEE NOTE	UNSPECIFIED TOL. FRAC. ± 1/64 ANGLES ± 1.0 DEC .0 ± 0.02 .00 ± 0.01 .000 ± 0.001	 		
FINISH	SEE NOTE				
DSGN BY:	6/2/2015		MODEL NAME: ARPTR151G		
DR BY:		SHT 1of1	PROJ.	DWG NO.:	REV.:
CK BY:		SCALE: 0.333		CD1181	A

NOTICE: Proprietary and confidential information of Pass & Seymour/Legrand
 Reproduction or disclosure prohibited under penalty of law.

2

1