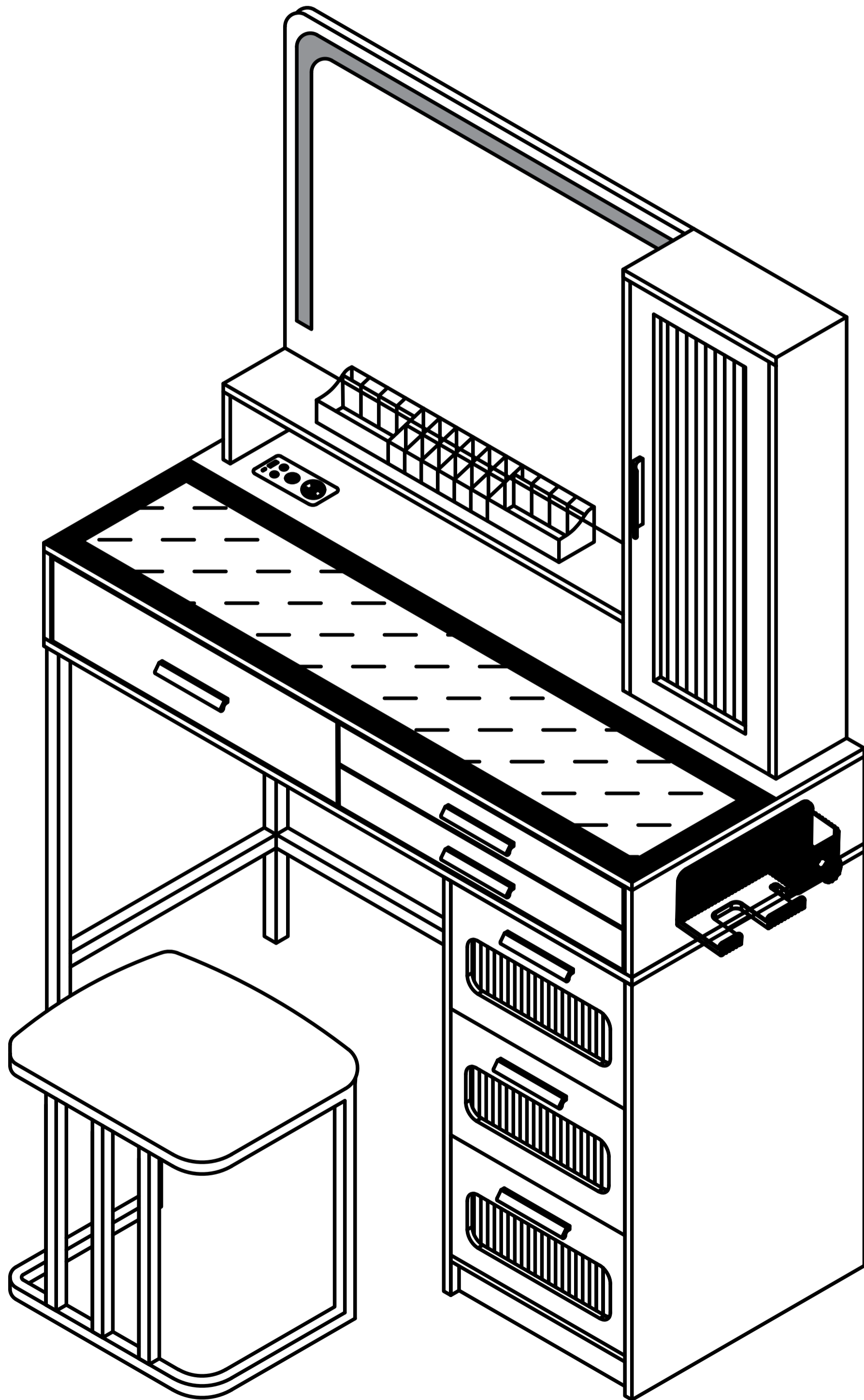
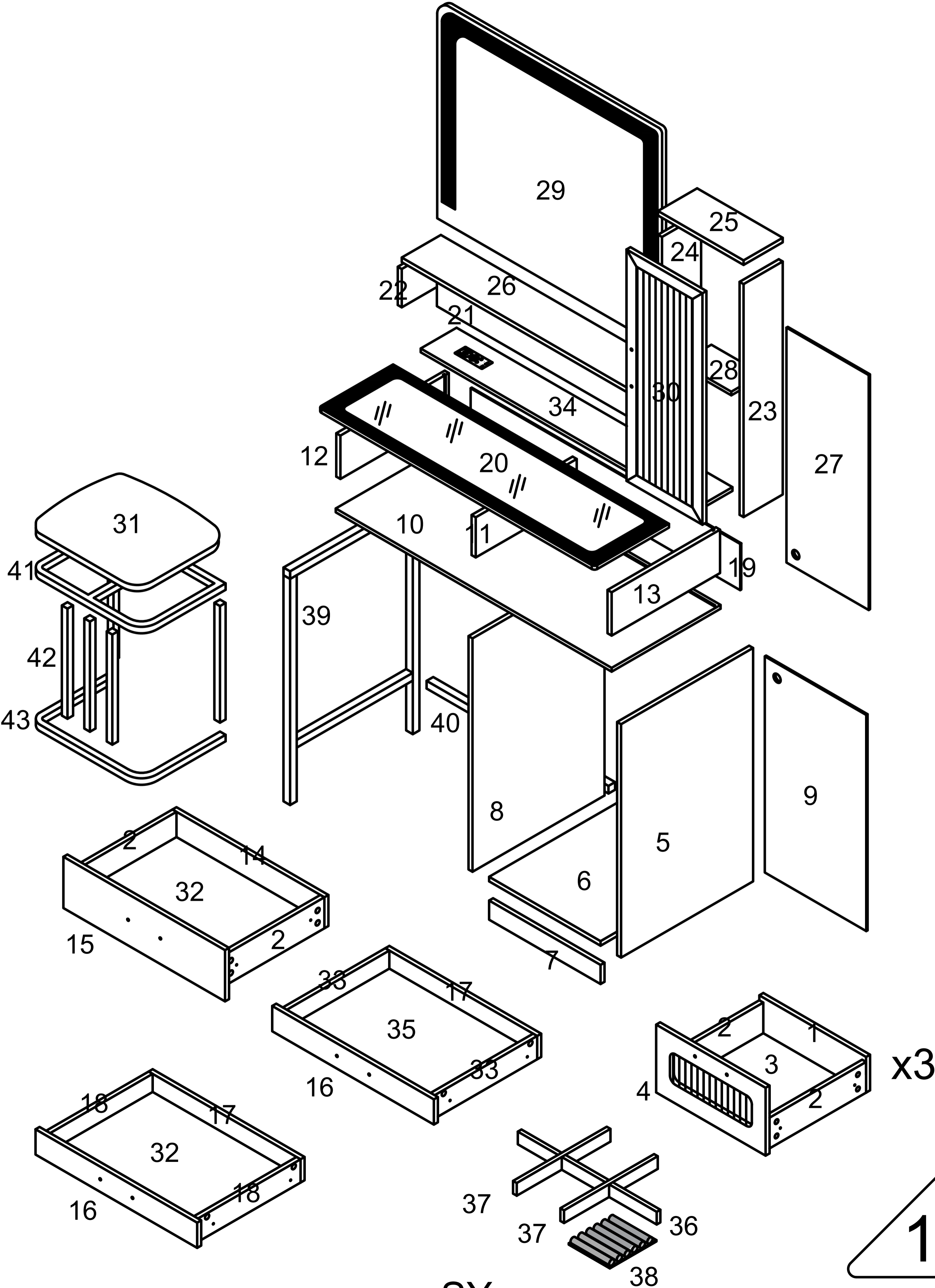


# Vanity Table Manual 85043

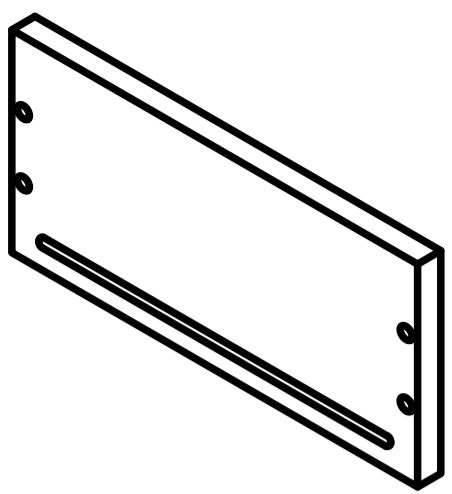
SY-423单 85043  
以后版本使用 2025.7.31



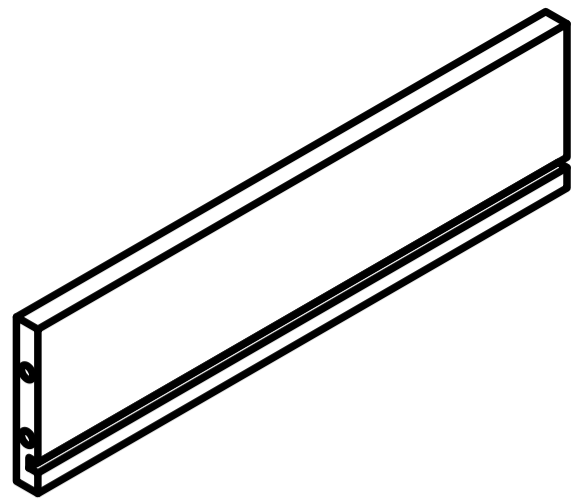
# Product structure decomposition



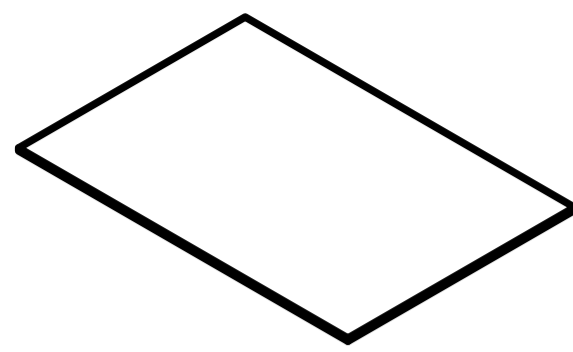
SY



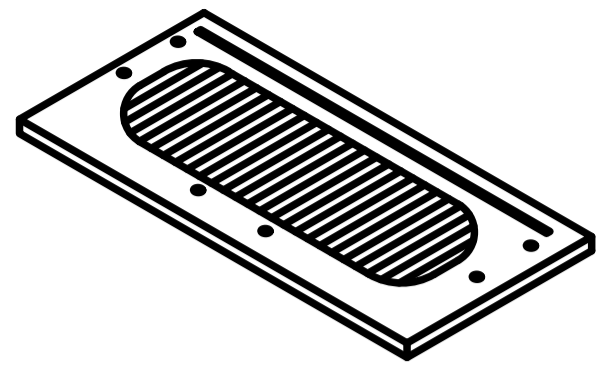
1x3



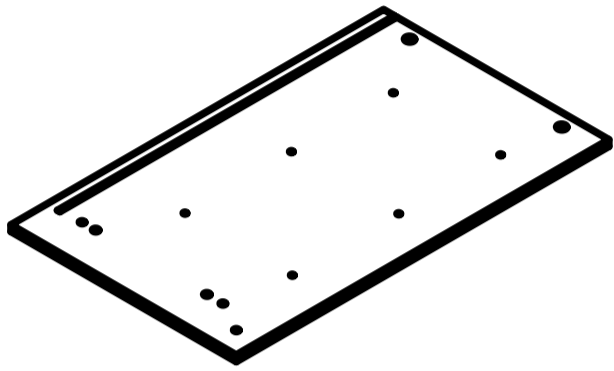
2x8



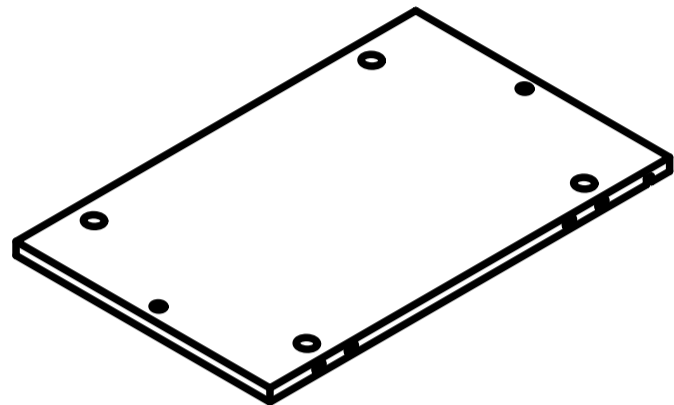
3x3



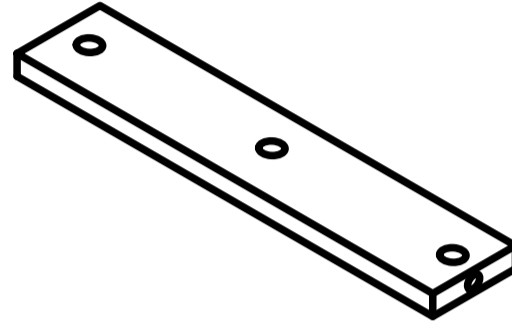
4x3



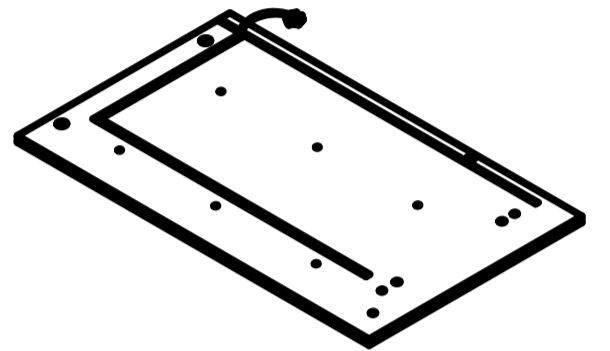
5x1



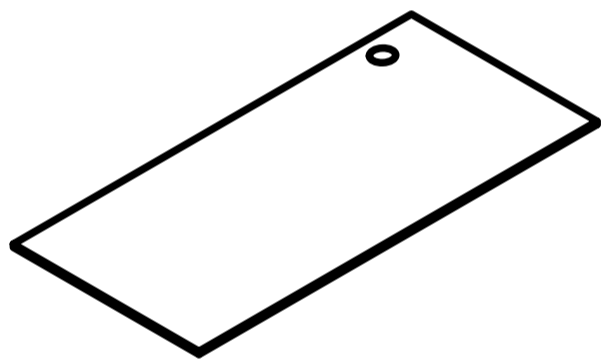
6x1



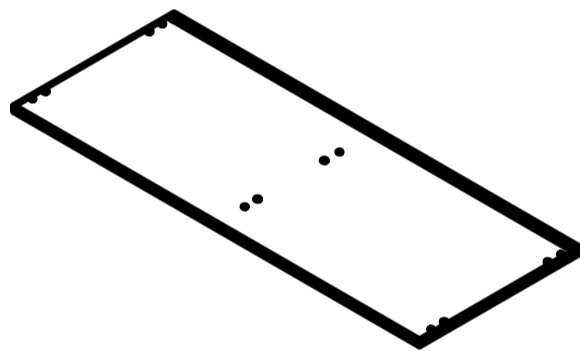
7x1



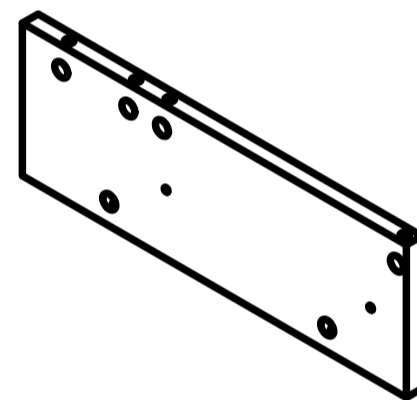
8x1



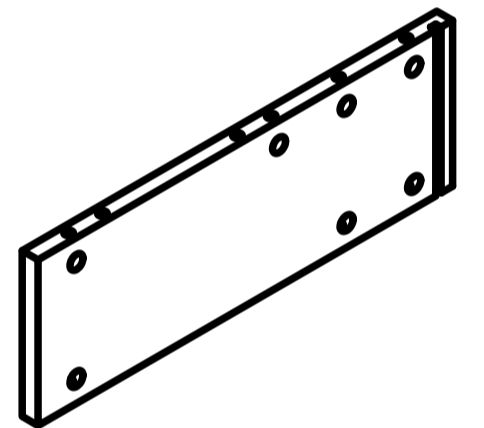
9x1



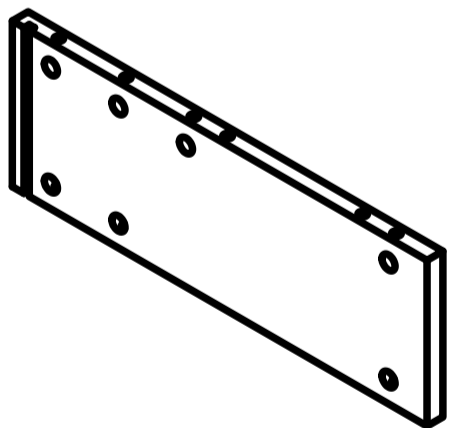
10x1



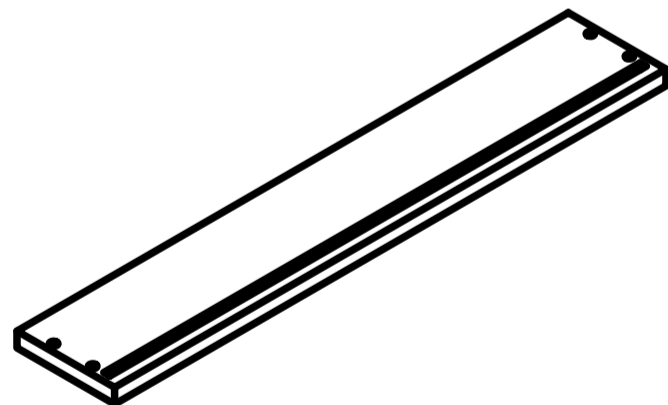
11x1



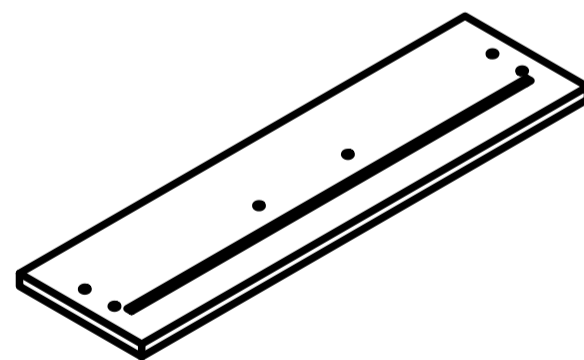
12x1



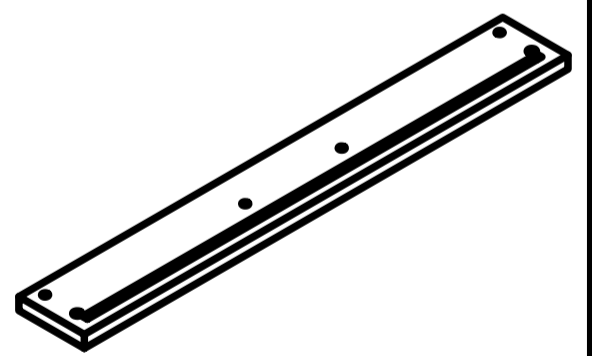
13x1



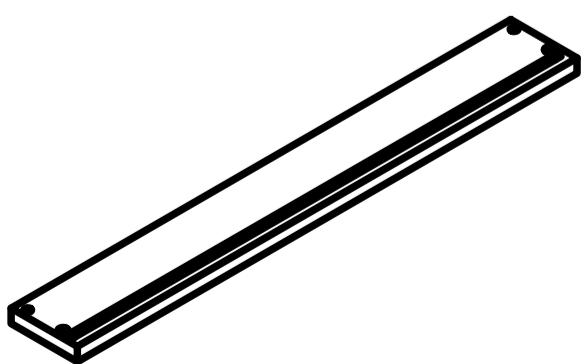
14x1



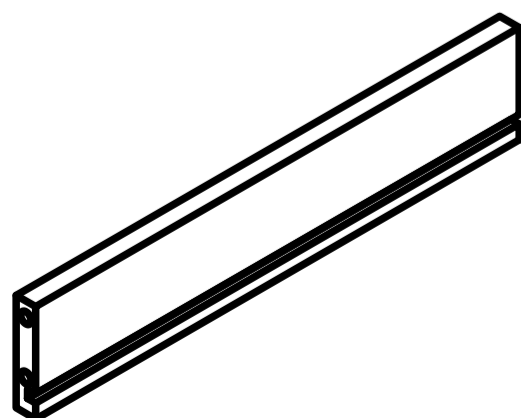
15x1



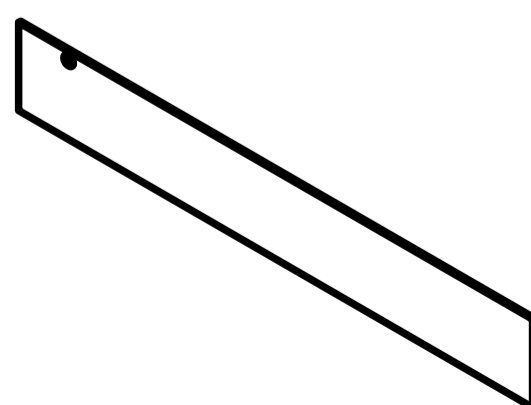
16x2



17x2



18x2

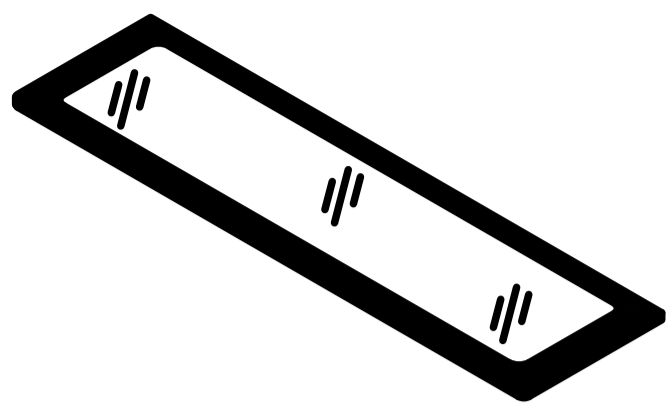


19x1

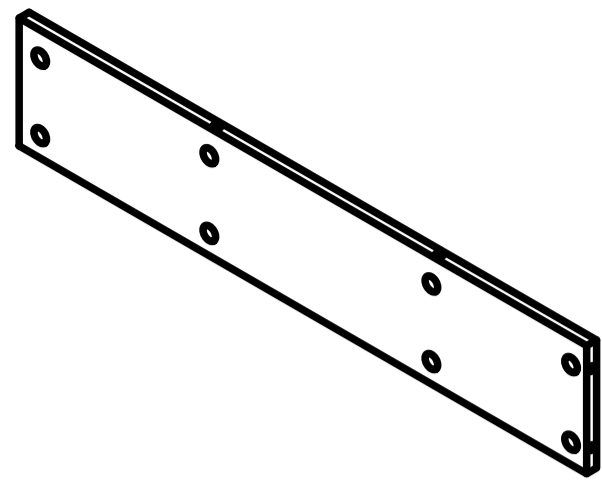


2

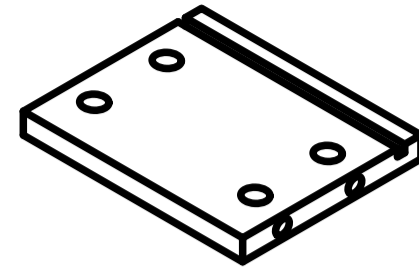
SY



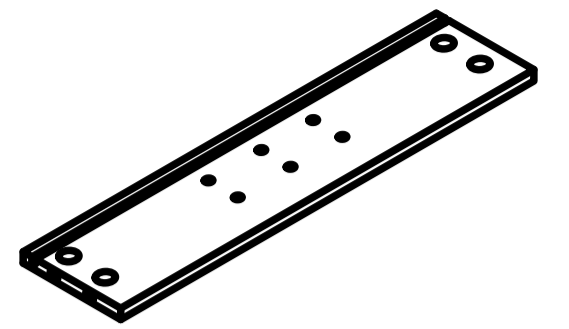
20x1



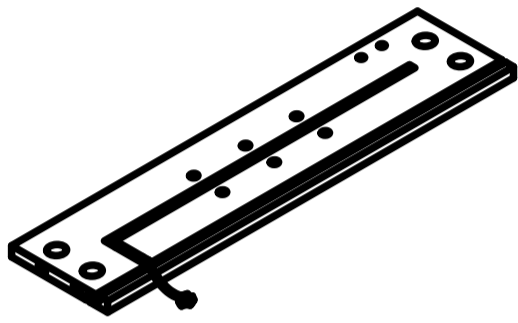
21x1



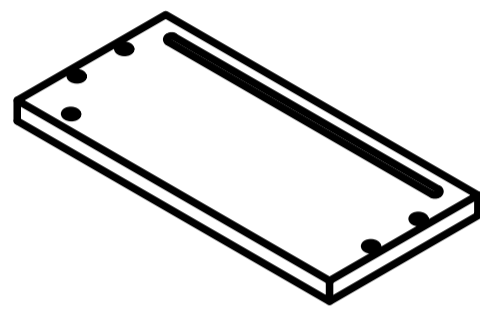
22x1



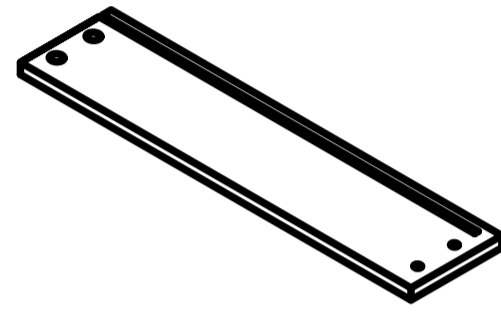
23x1



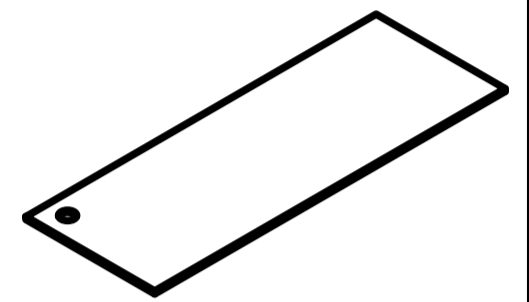
24x1



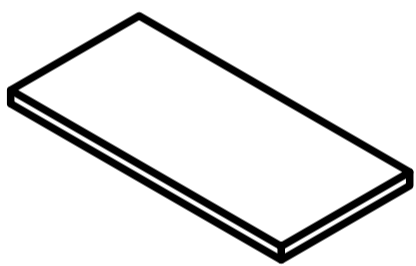
25x1



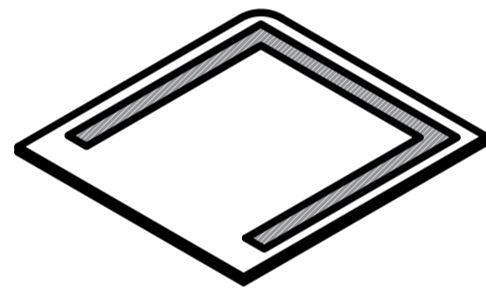
26x1



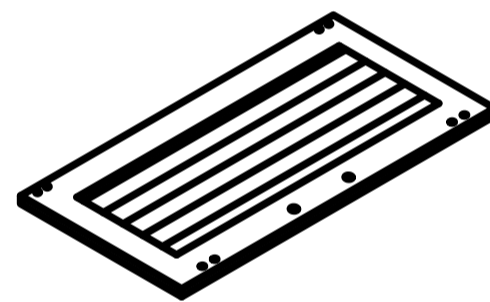
27x1



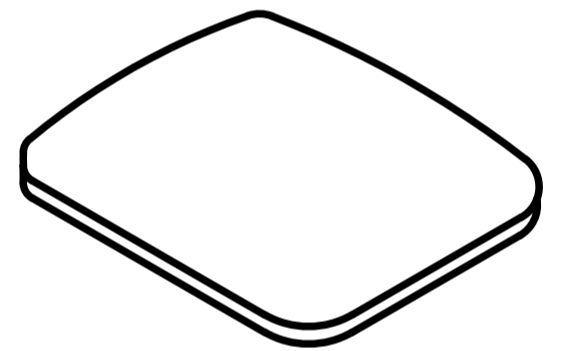
28x1



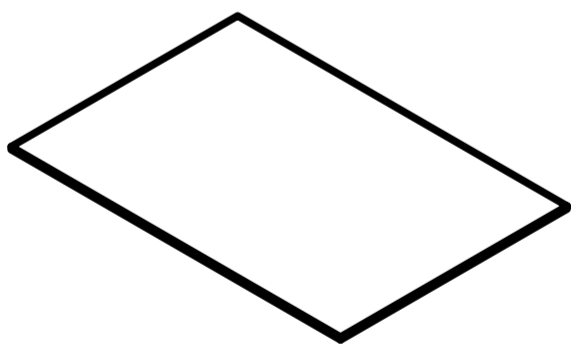
29x1



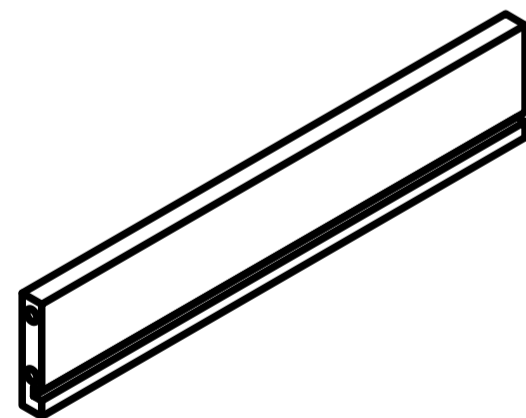
30x1



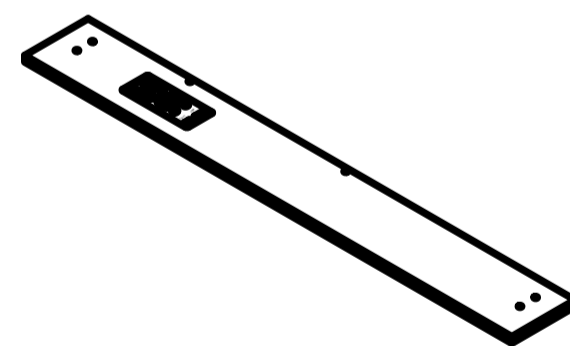
31x1



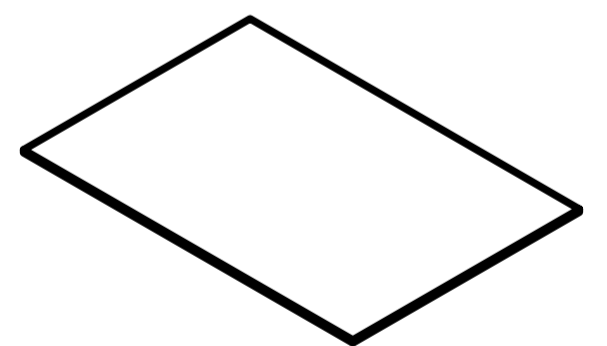
32x2



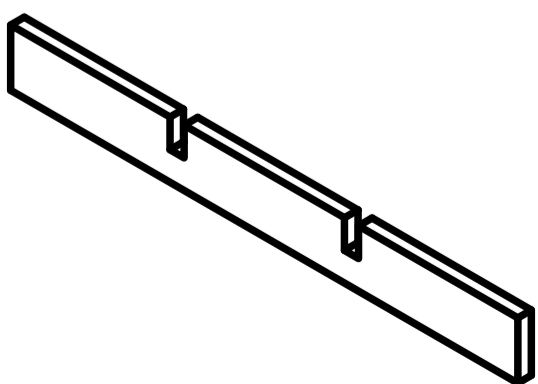
33x2



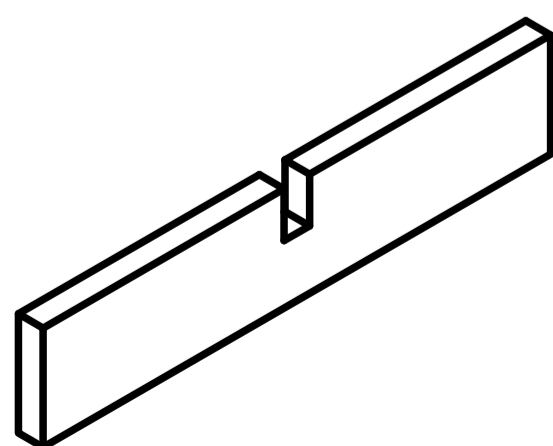
34x1



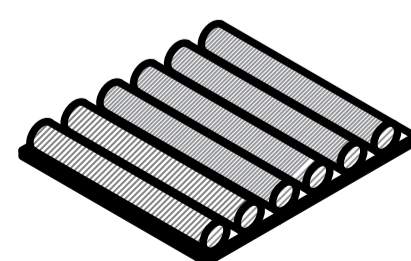
35x1



36x1



37x2

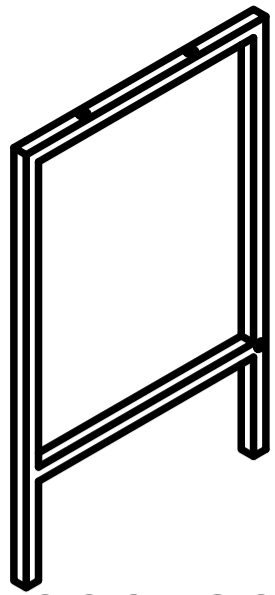


38x1



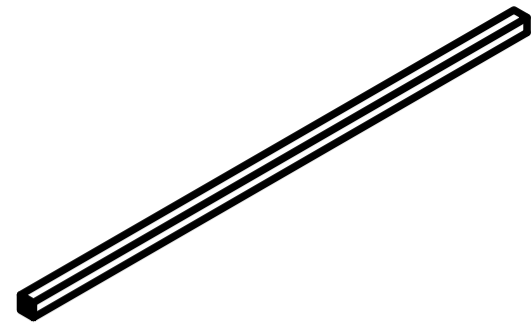
3

SY



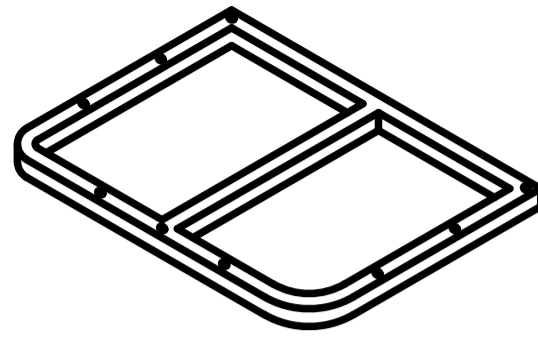
610x390x20x20

39x1



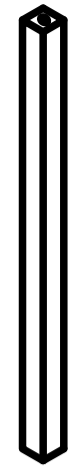
644x20x20

40x1

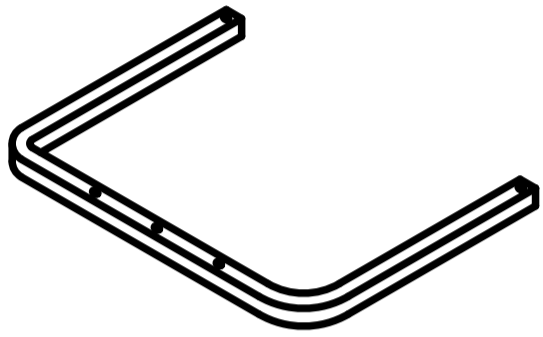


360x20x20mm

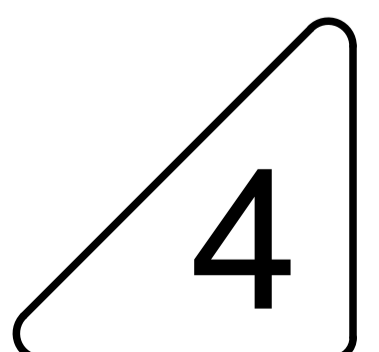
41x1



42x5

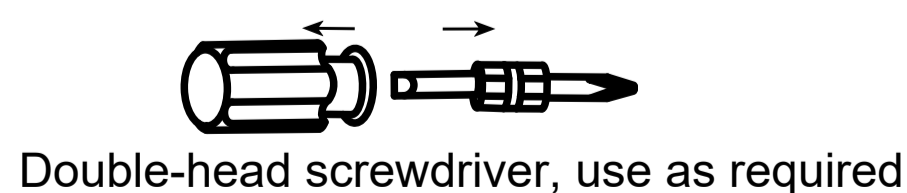
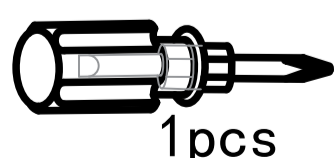


43x1

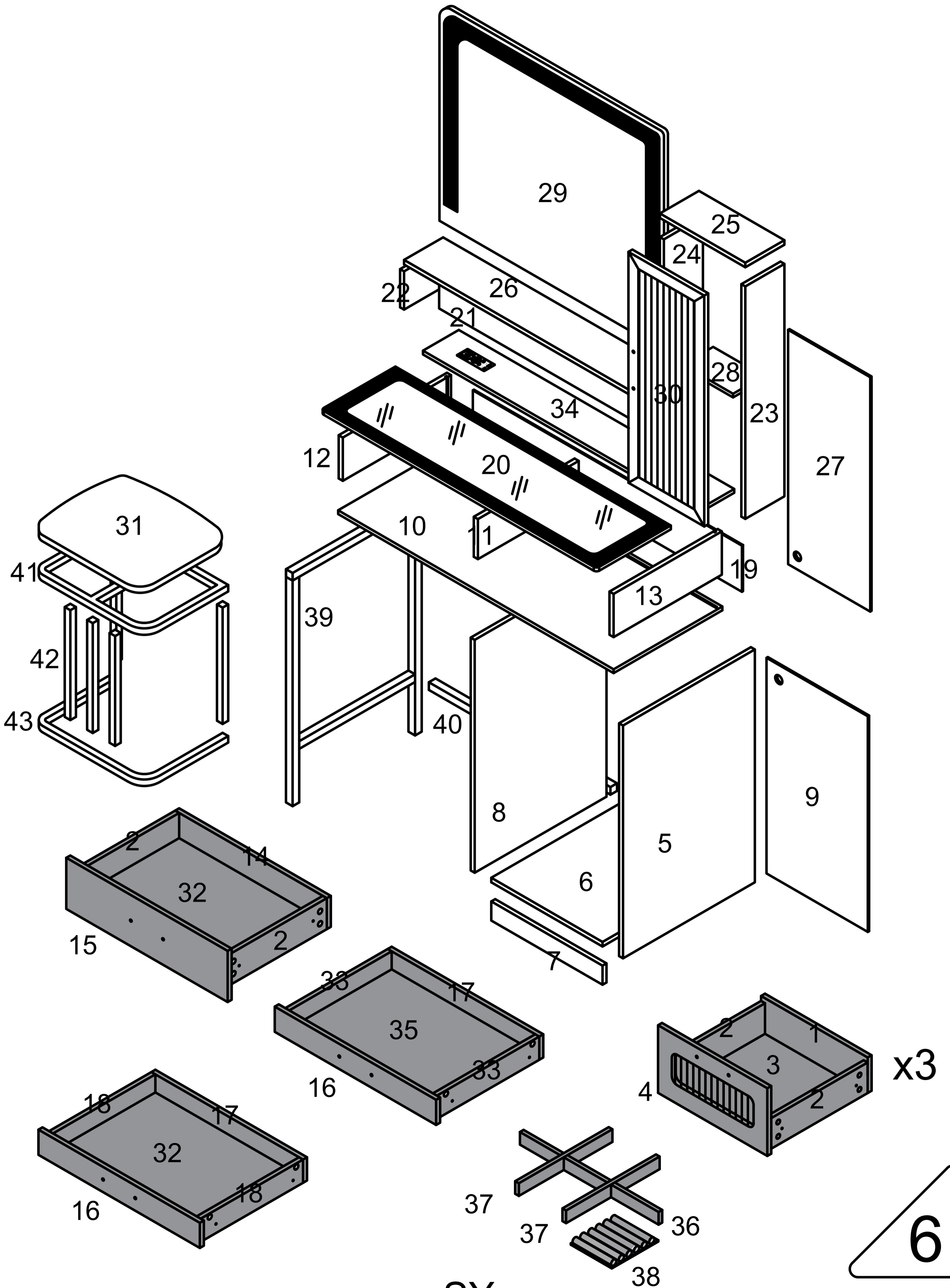


# Accessories list

(A)		Two In One Screw (6x28mm)	98pcs +4pcs
(B)		Two In One Nut (10x12mm)	98pcs +4pcs
(C)		Wood Chipping (6x30mm)	20pcs +2pcs
(D)		Handle & screw (4x16mm)	14pcs +2pcs 7pcs
(E)		Screw & Guide(29.5cm) (3.5x12mm)	60pcs +4pcs 12pcs
(F)		Non-slip pads	4pcs +2pcs
(G)		Screw (6x28mm)	18pcs +1pcs
(H)		Fixing clip & screw (3x16mm)	6pcs +2pcs
(I)		Magnetic Attraction Screw (3x10mm) Iron Sheet	1pcs 8pcs +2pcs 3pcs
(J)		Clamp	3pcs +1pcs
(K)		Laminate support nail	4pcs
(L)		Cabinet Door Hinge & Screw (3.5x12mm)	4pcs +1pcs 2pcs
(M)		Acrylic hair dryer holder Hexagonal machine wire (4x16mm)	1pcs
(N)		remote control	1pcs
(O)		AG/DC Adapter (12V=3.0A)	1pcs
(P)		Countersunk head tapping screw (4x45mm)	1pcs
(Q)		anti-tipping tape	1pcs
(R)		Countersunk head tapping screw(4x16mm) gasket	1pcs
(S)		Protective sticker	6pcs
(T)		power cord extension cord	1pcs
(U)		Lipstick case	1pcs

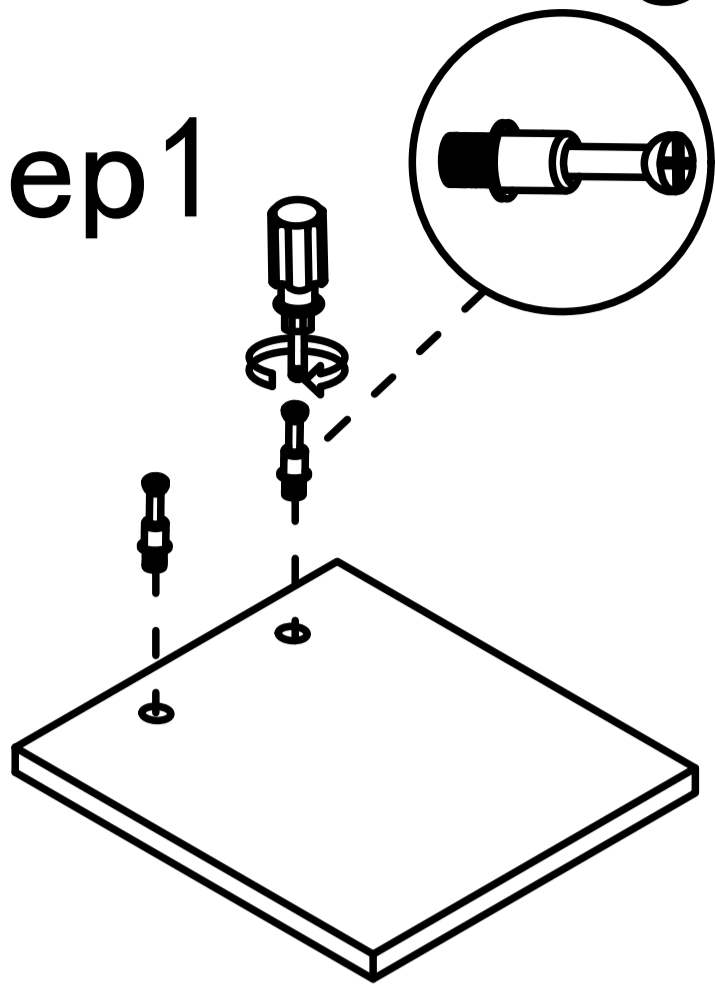


# Product structure decomposition

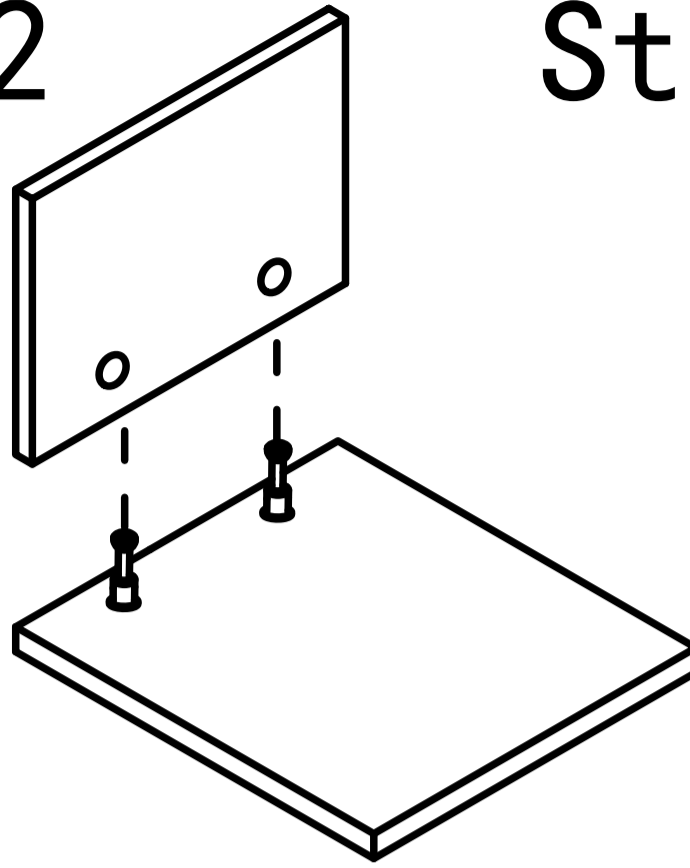


Use parts ① and ②

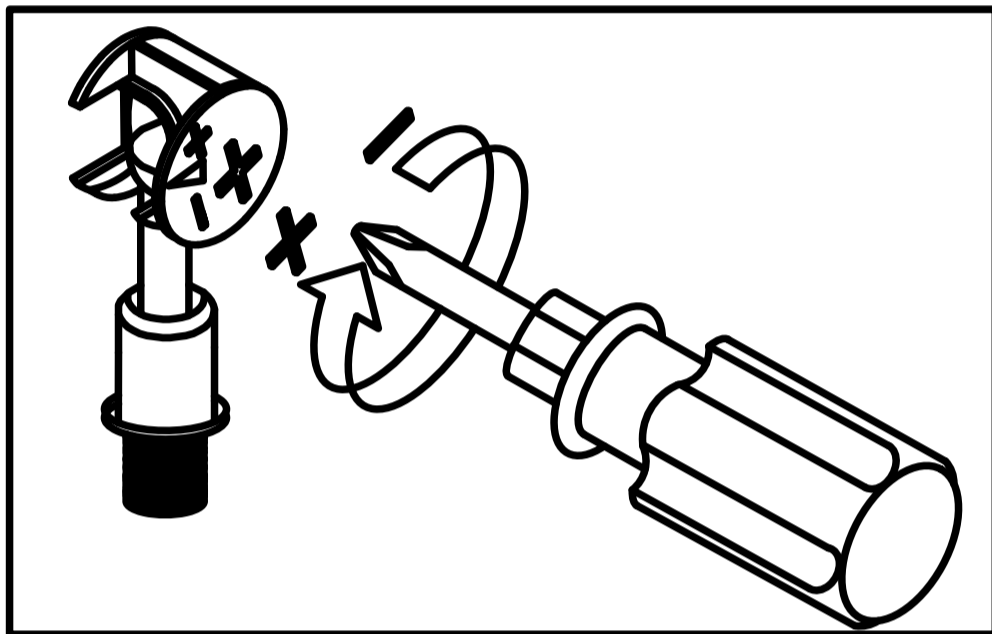
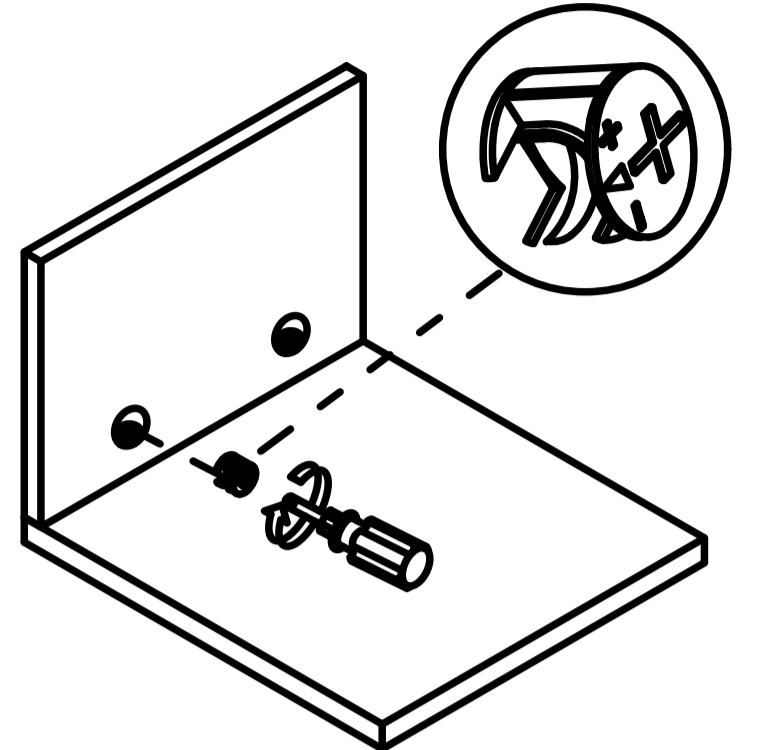
Step 1



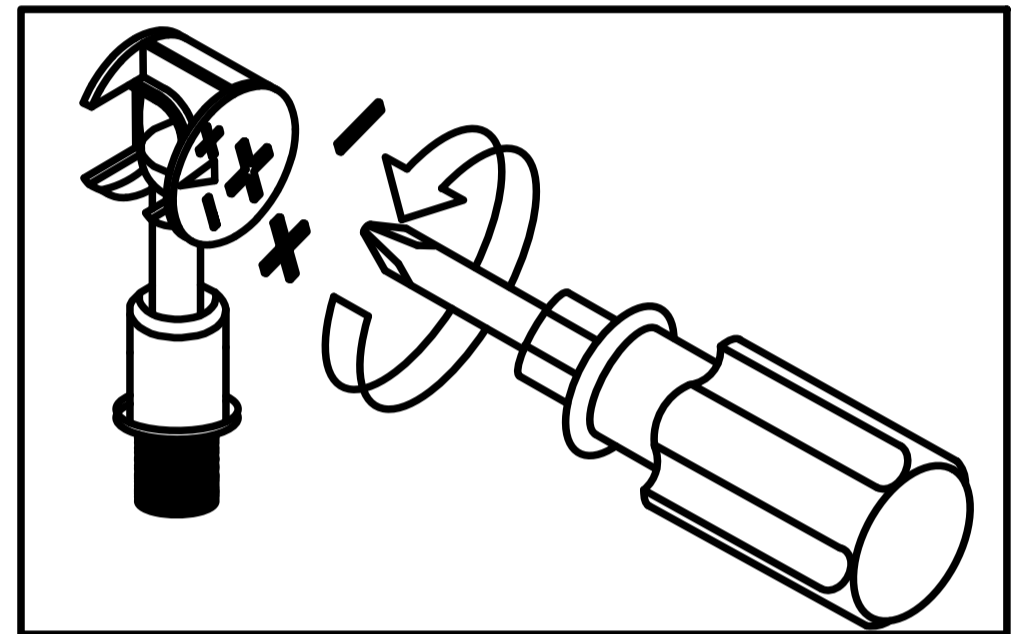
Step 2



Step 3

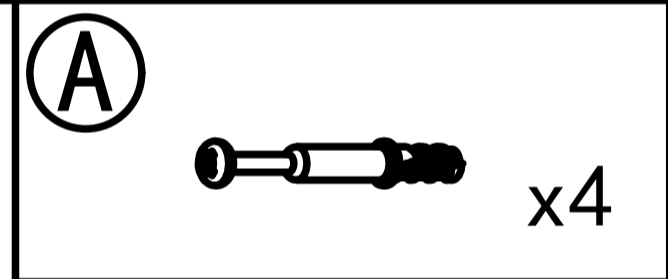
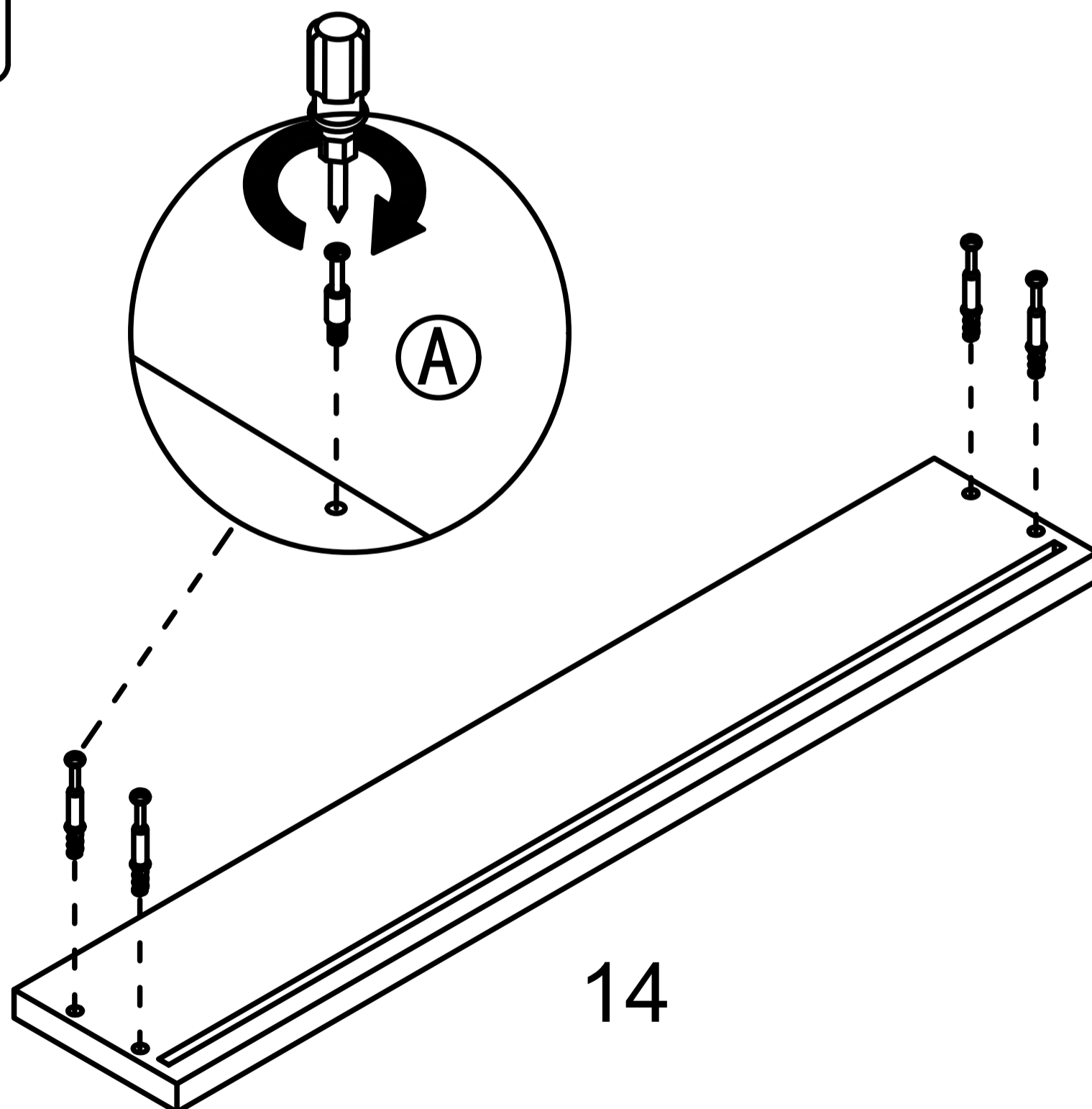


Use a screwdriver to lock in the direction of the "+" sign



Disassemble along the direction of "-" sign

Step 1

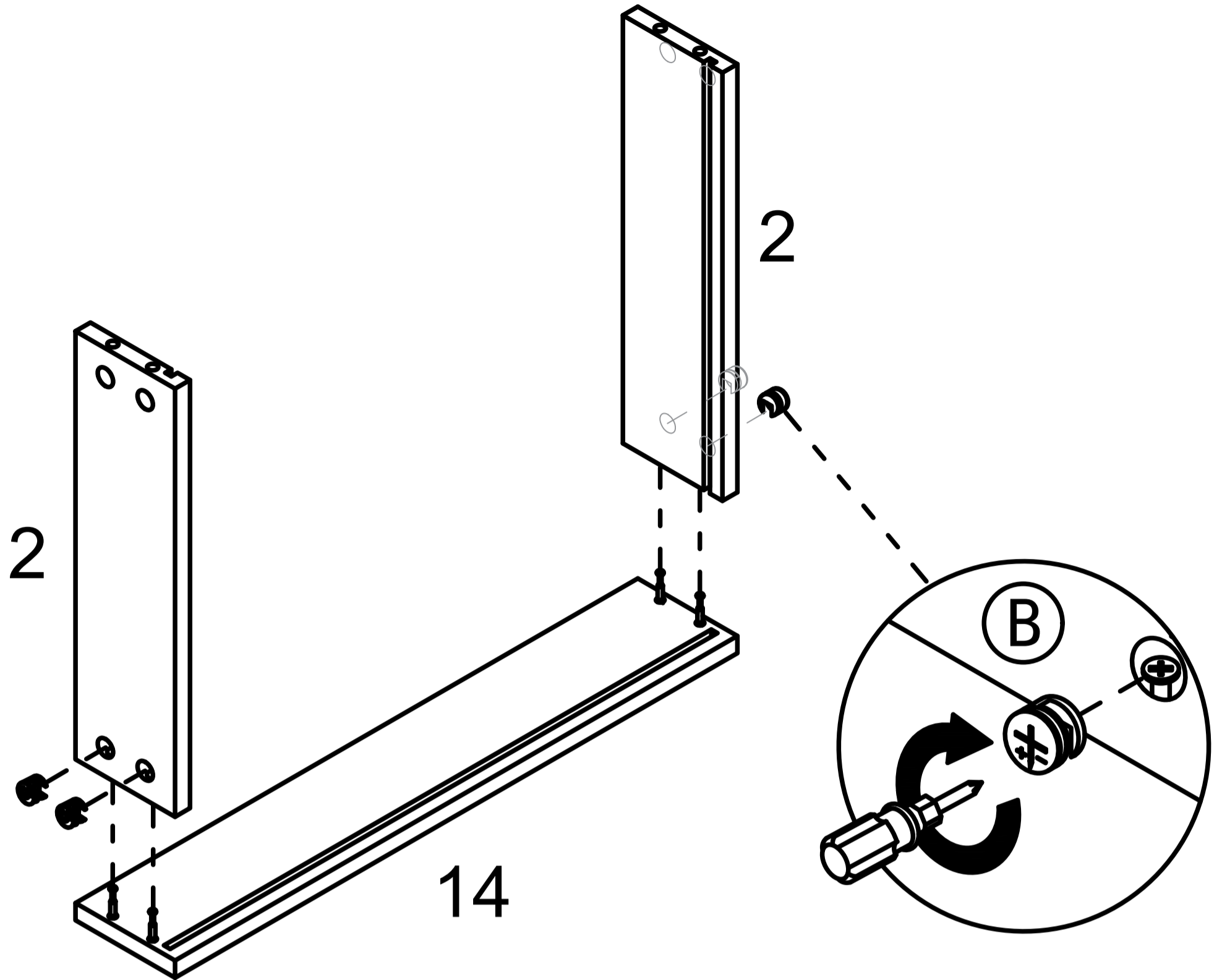
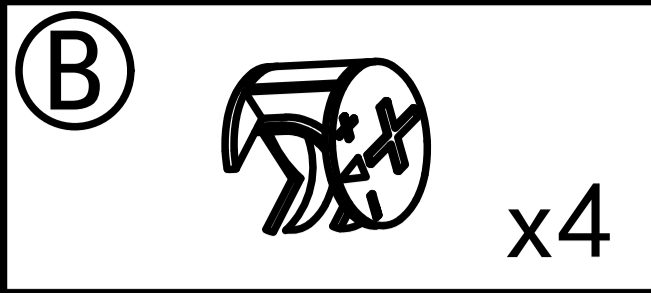


14

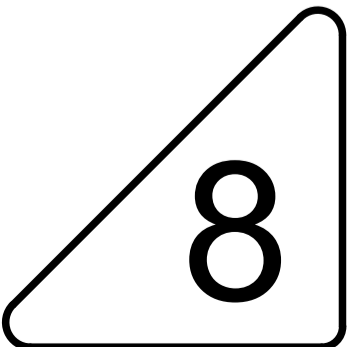
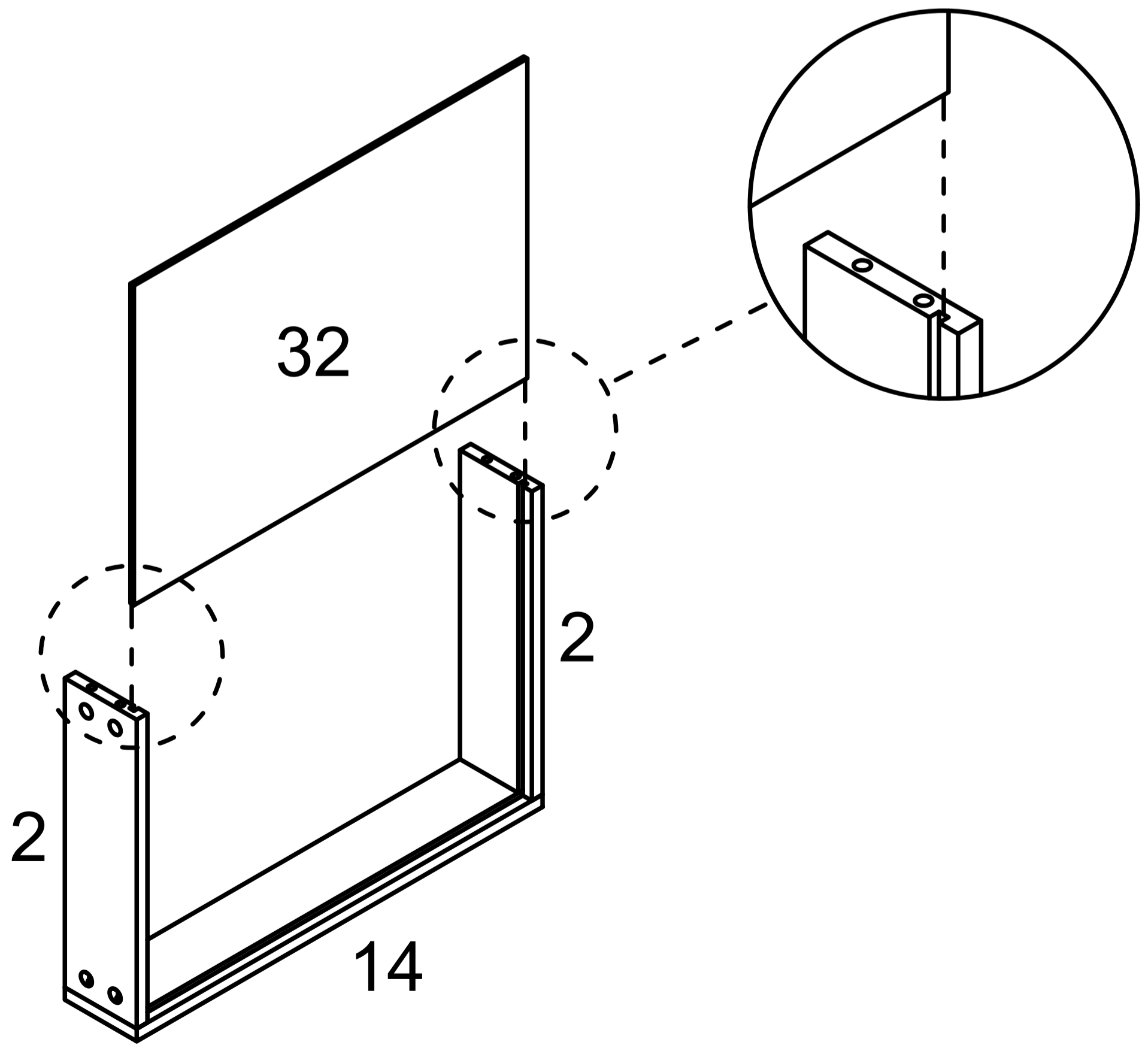
7

SY

Step 2

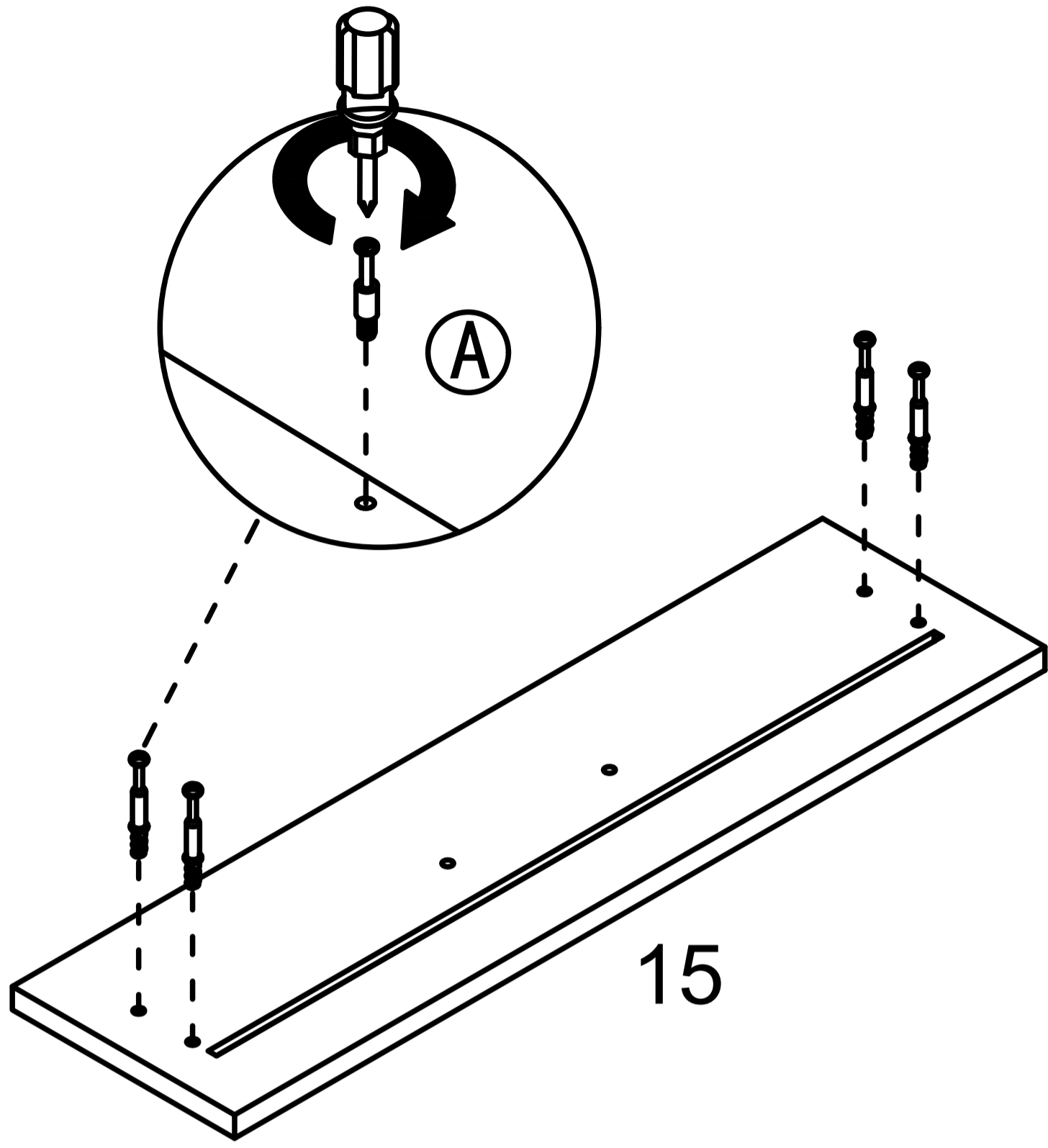
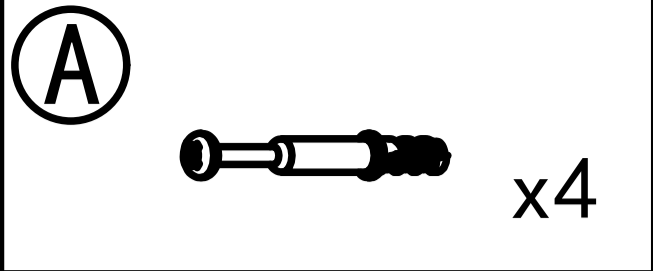


Step 3

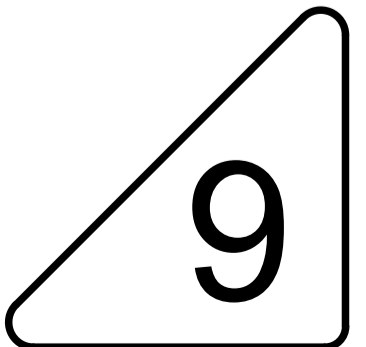
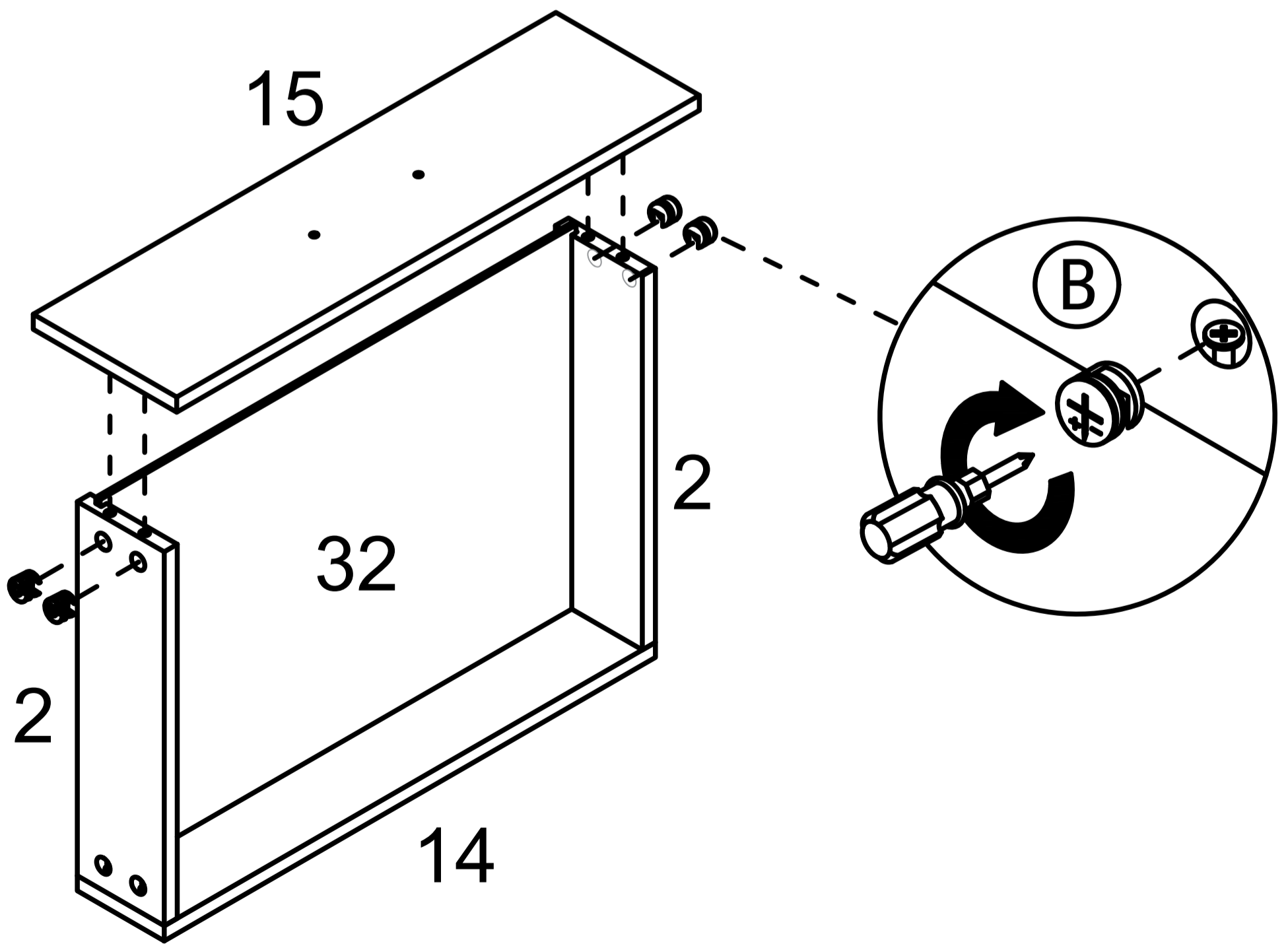
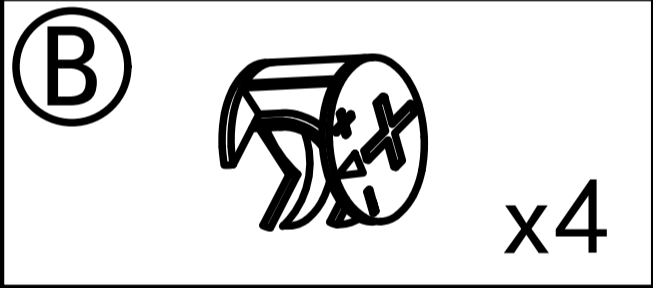


SY

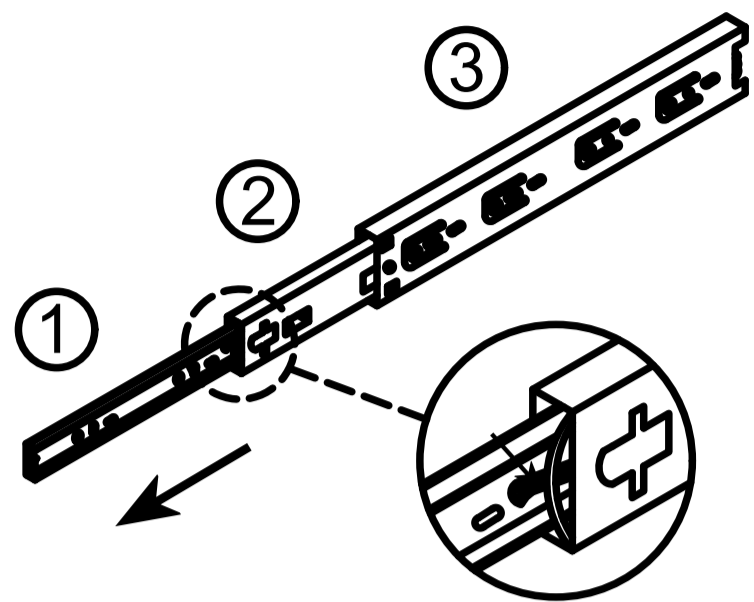
Step 4



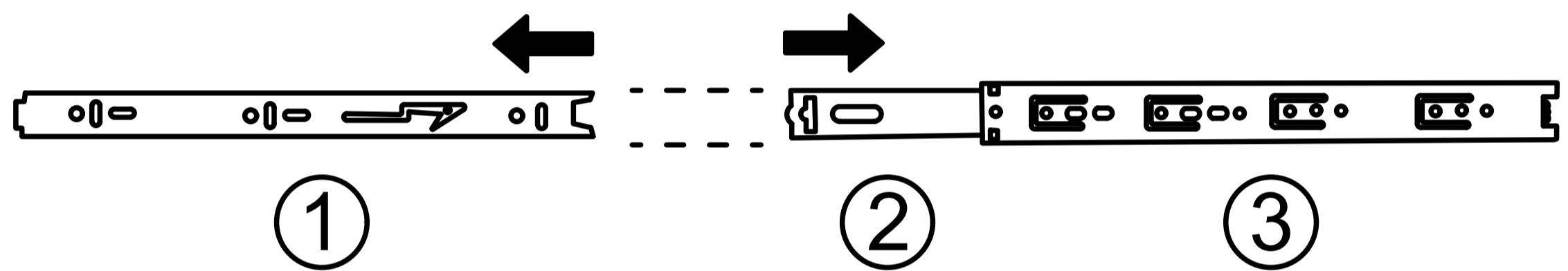
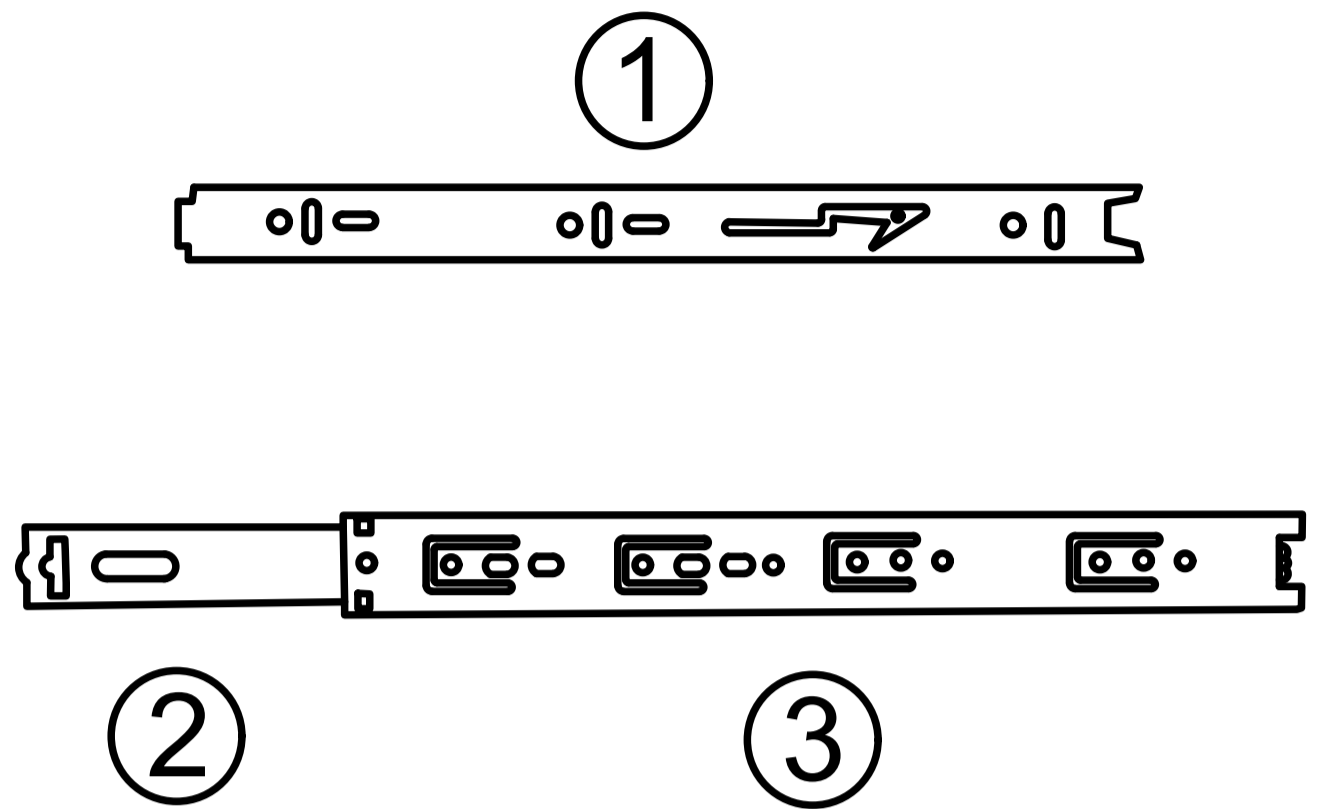
Step 5



Exploded view of drawer guide rail



Step 1 : Pull the rails apart  
Step 2 : Push the nylon buckle outward ①



Lead hole screw position

Reinforcement screw position

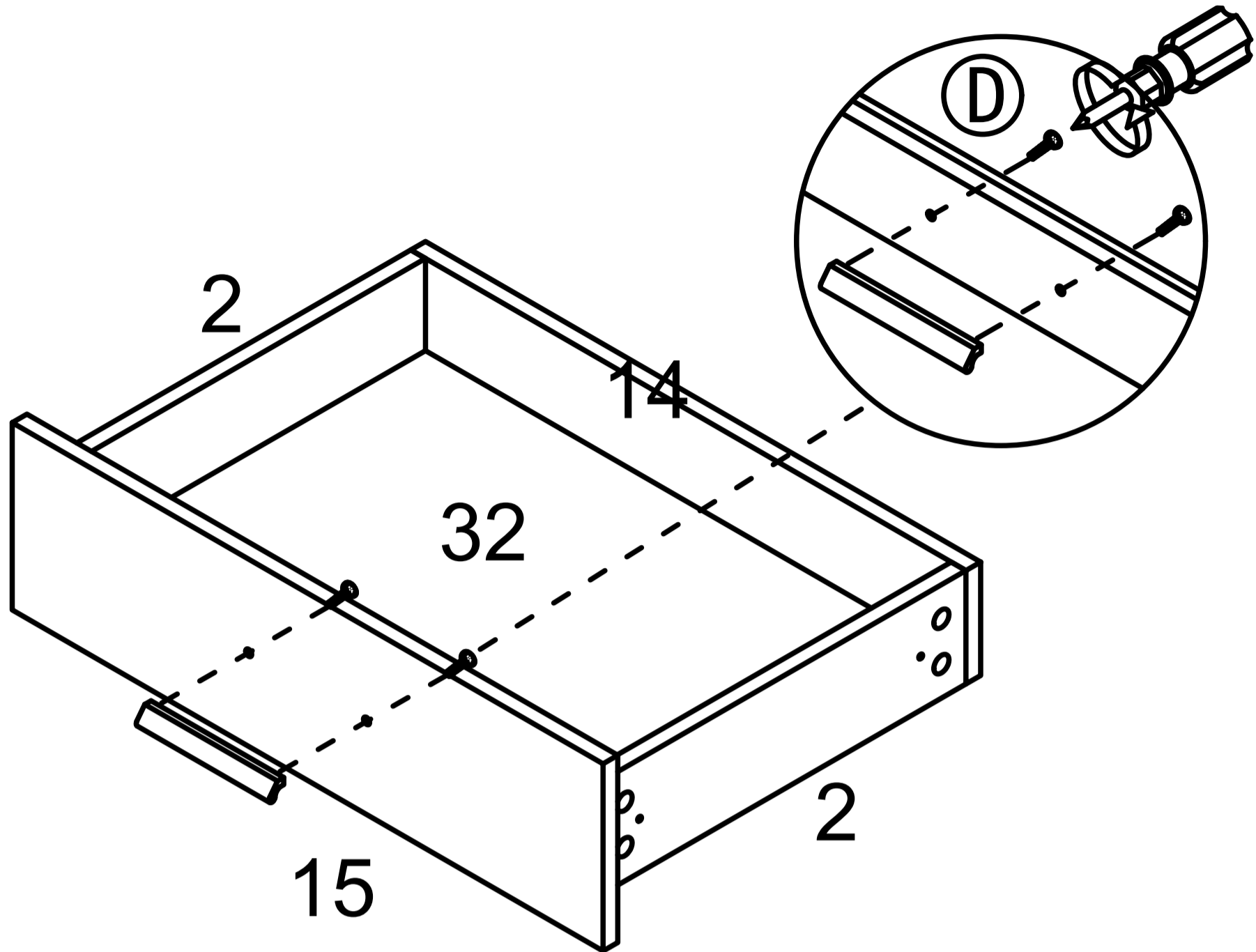
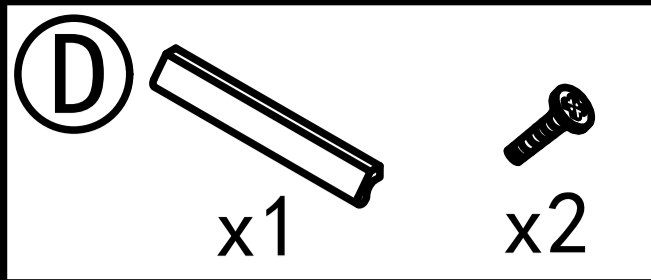
Lead hole screw position



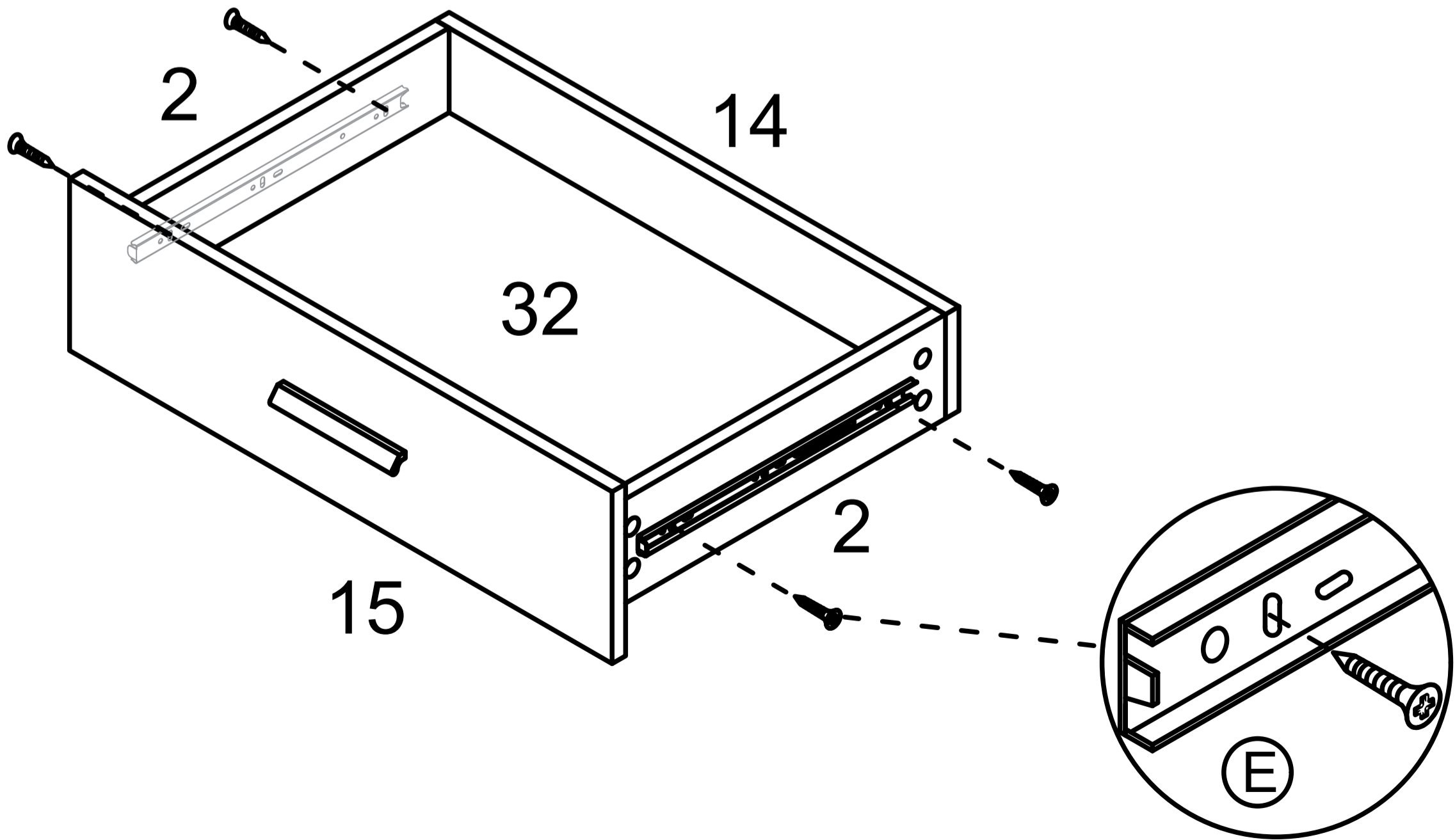
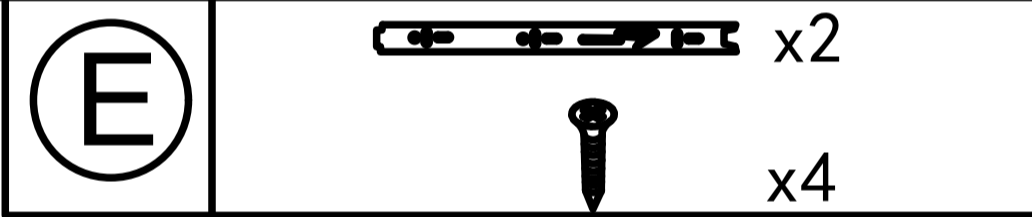
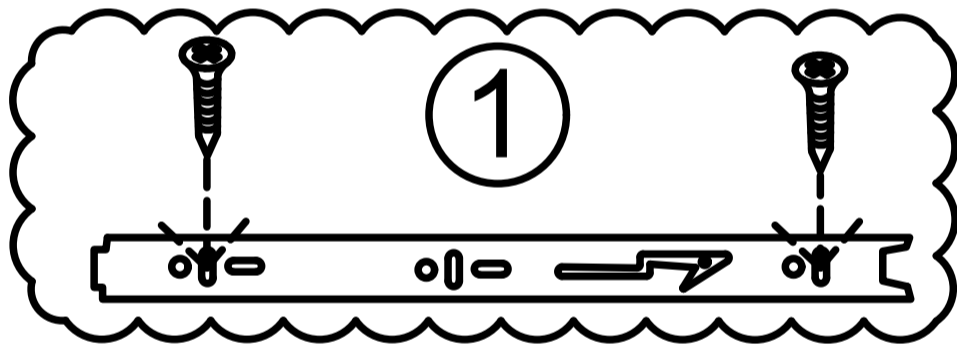
Lead hole screw position

Lead hole screw position

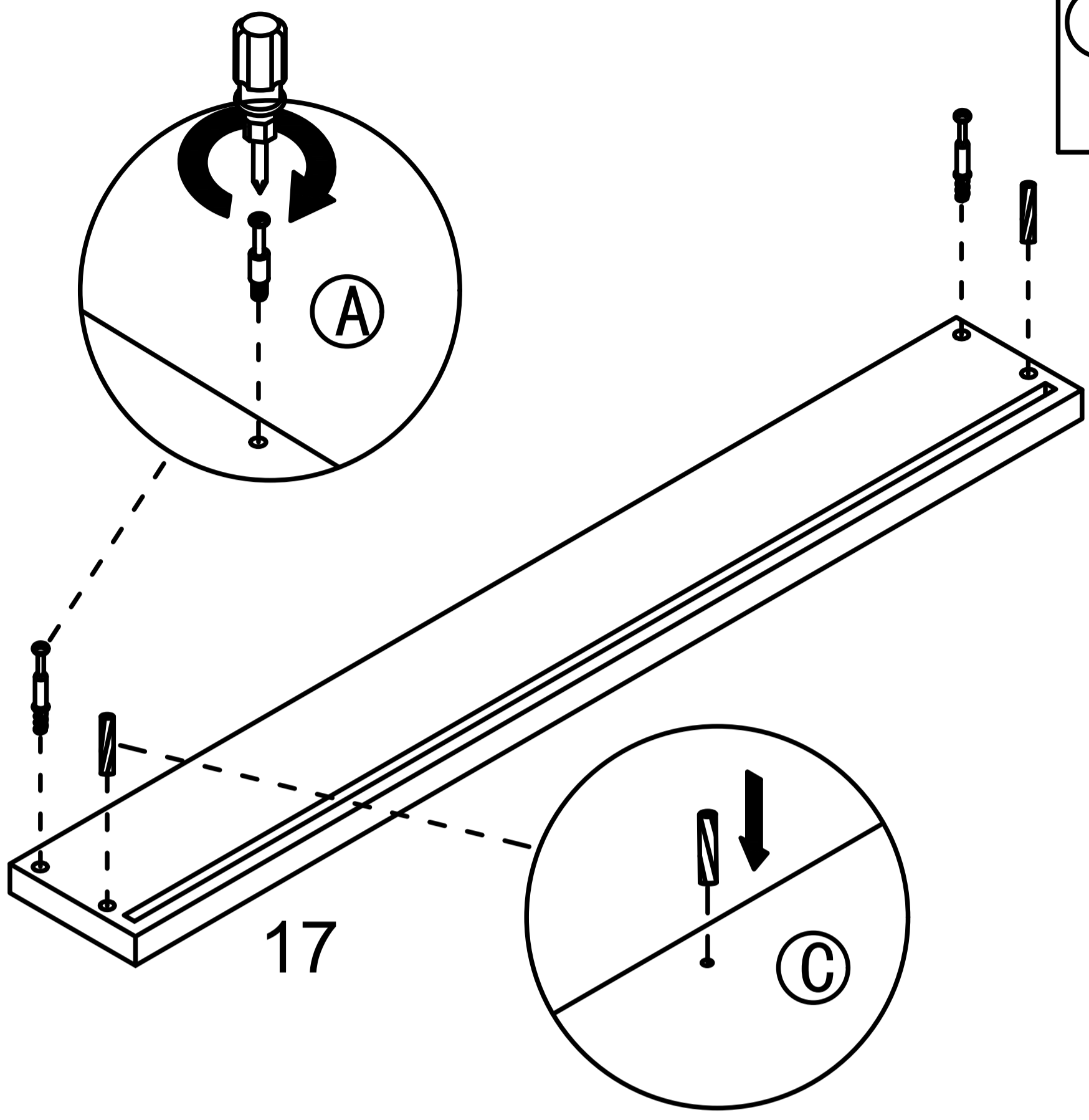
Step 6

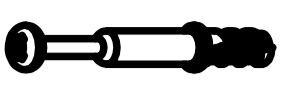



Step 7

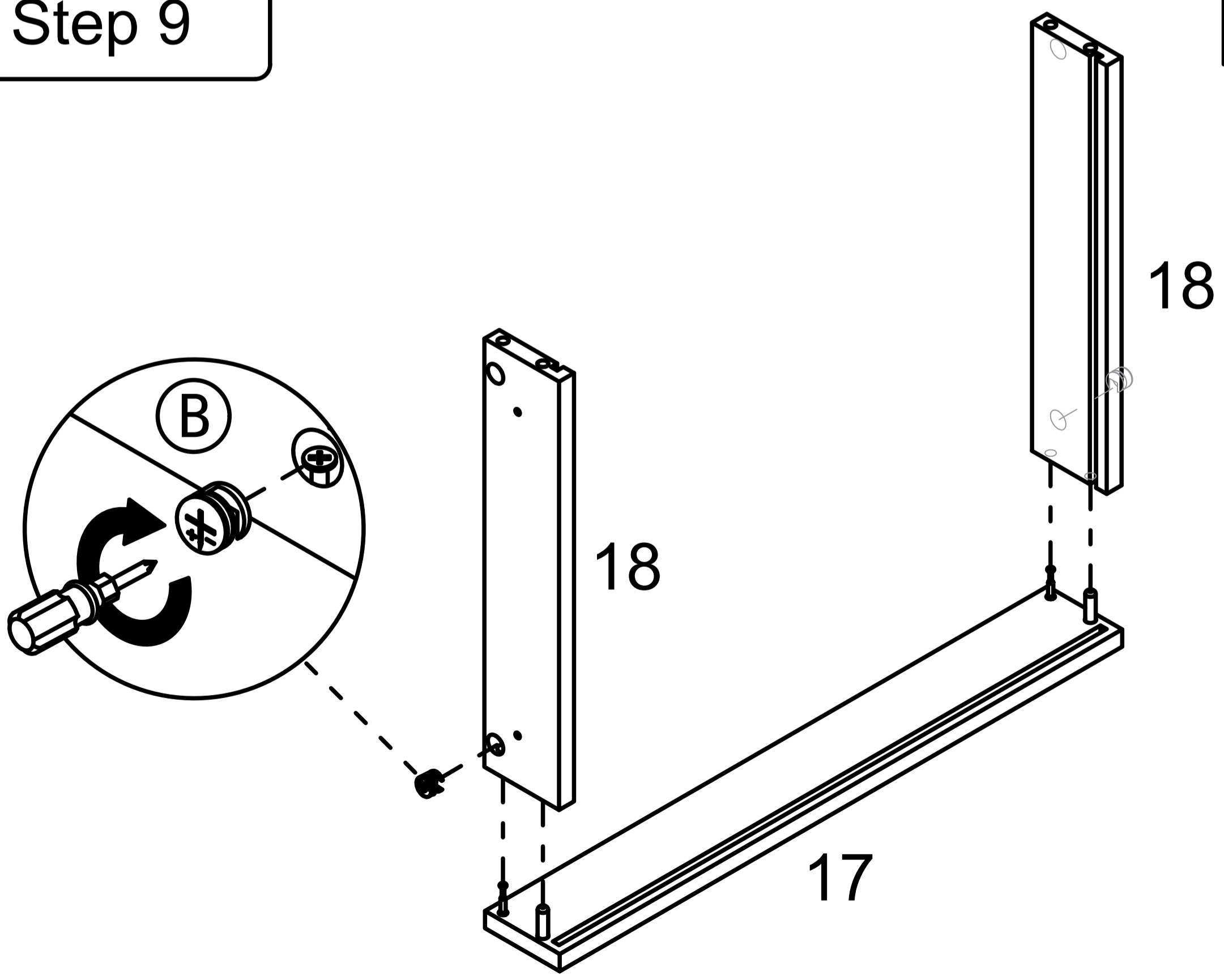



Step 8



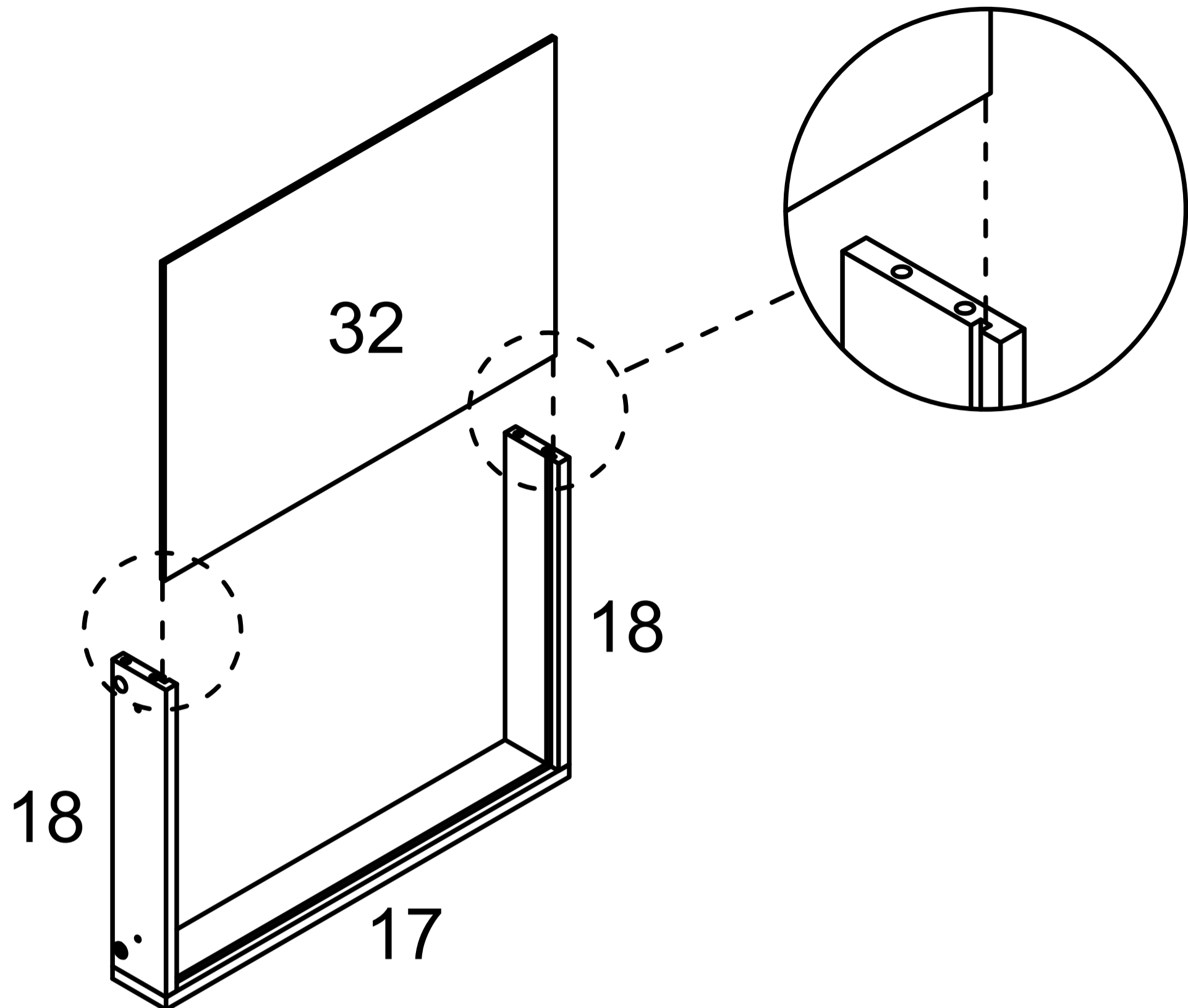
- (A)  x2
- (C)  x2

Step 9

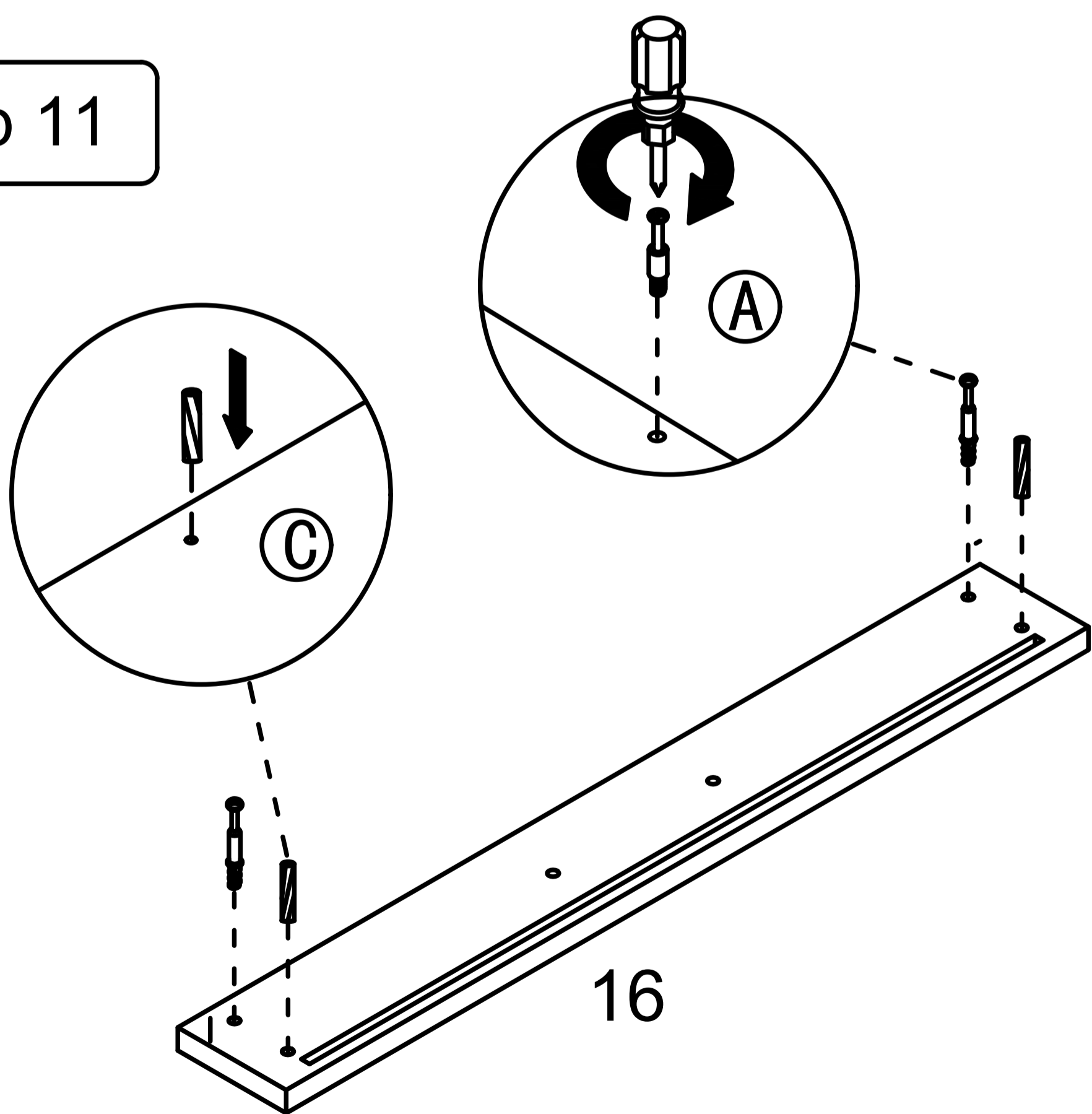


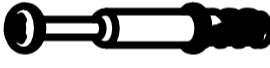

- (B)  x2

Step 10



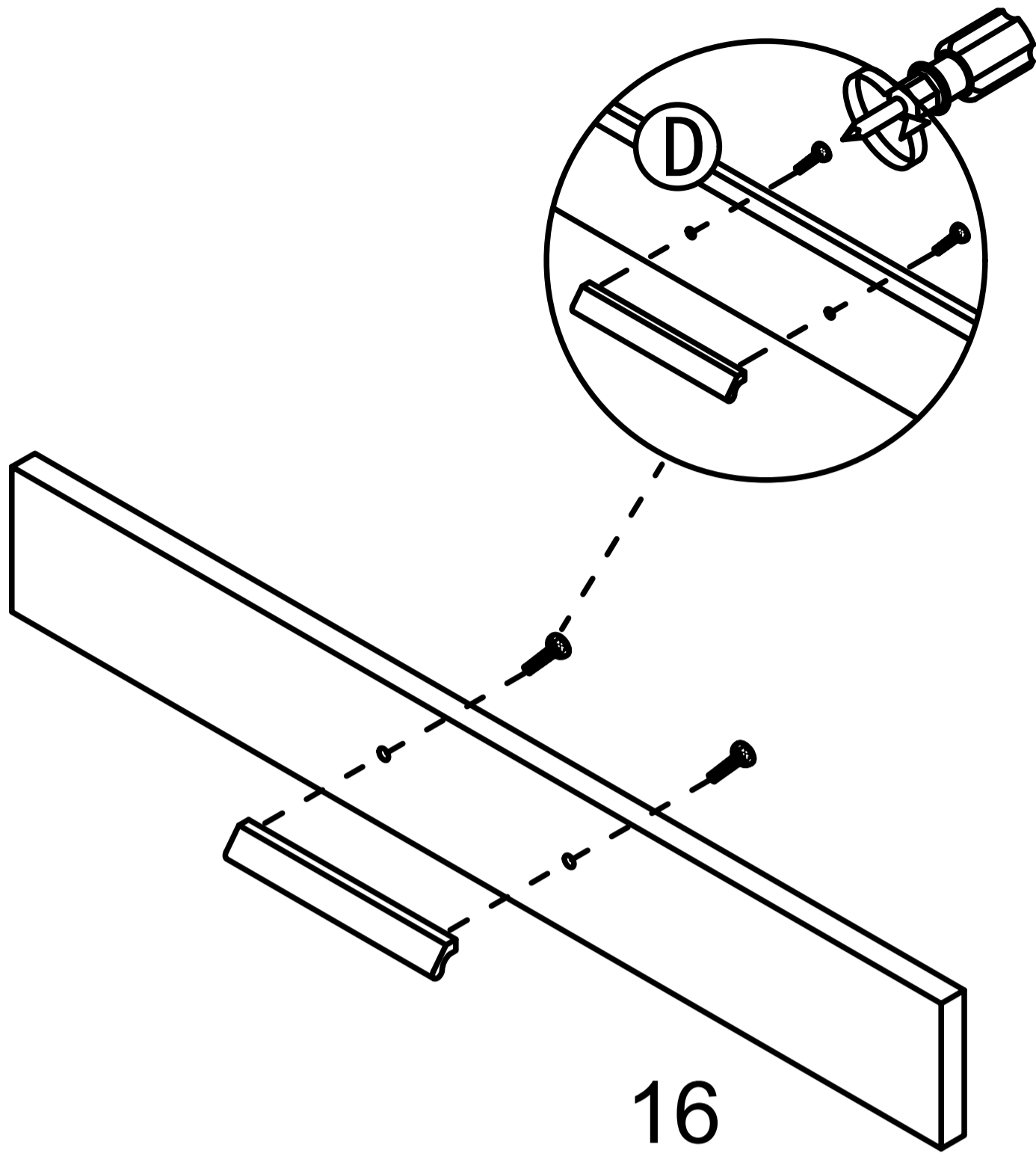
Step 11



- (A)  x2
- (C)  x2

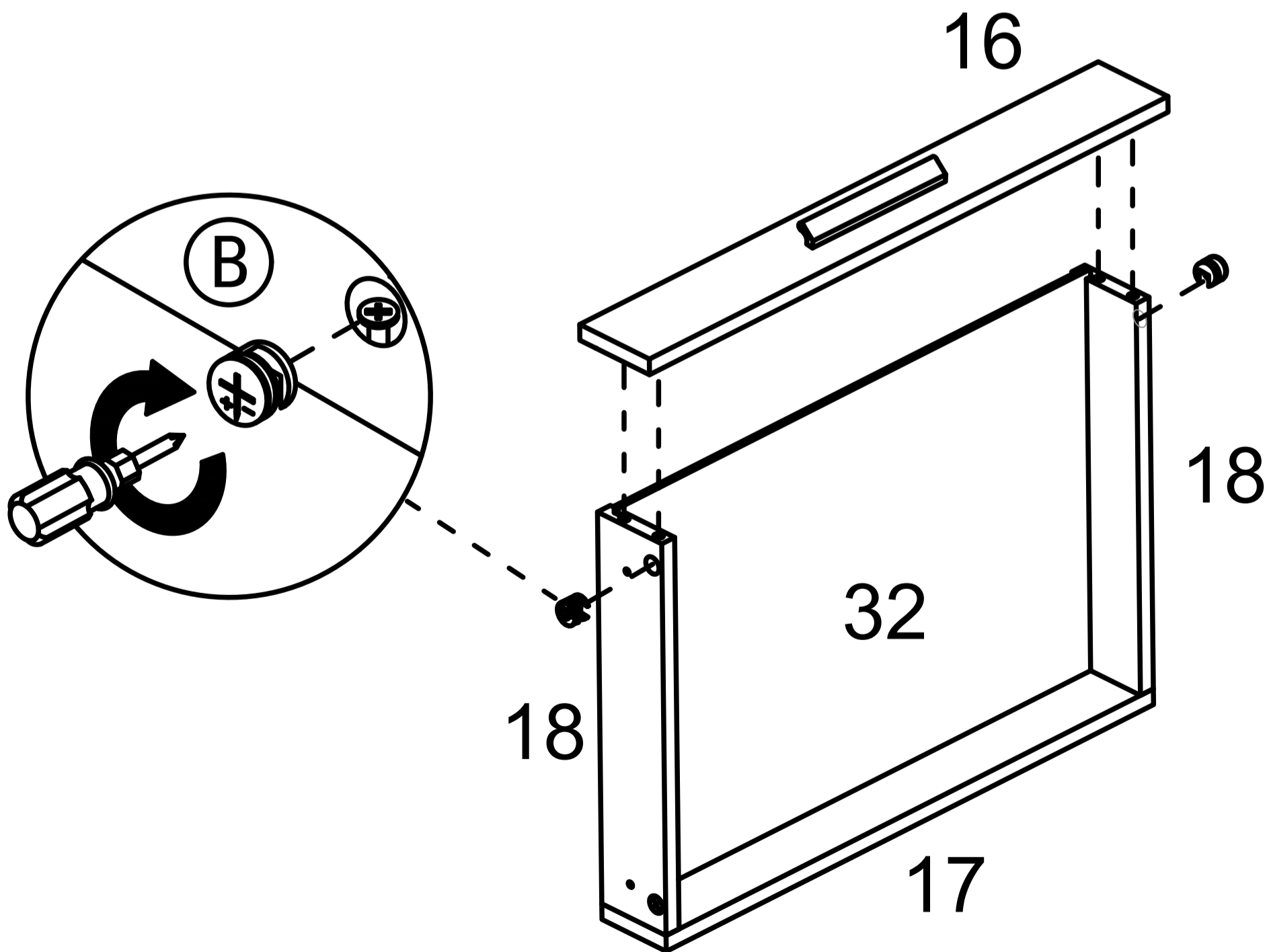
Step 12

ⓓ x1      ⓓ x2



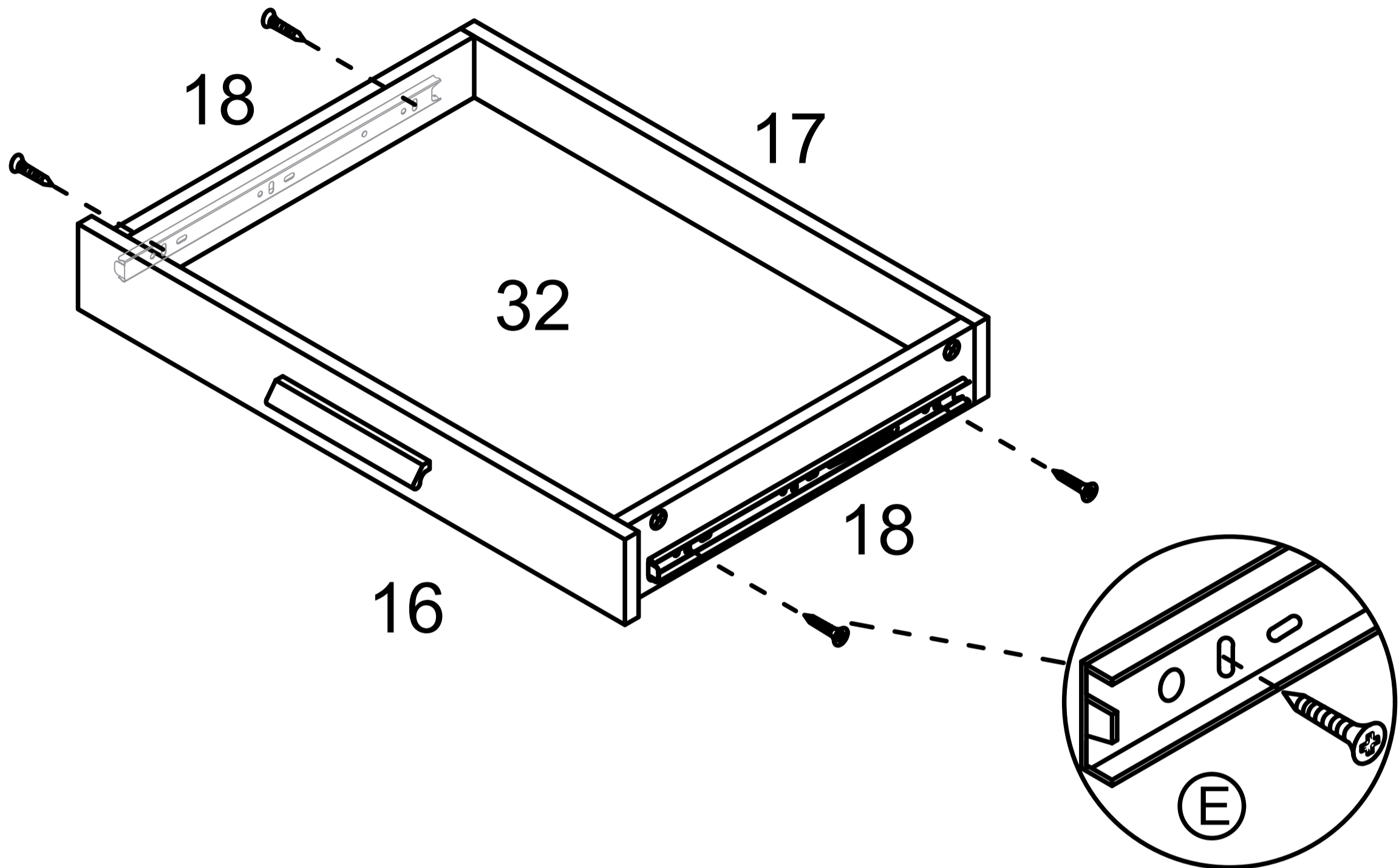
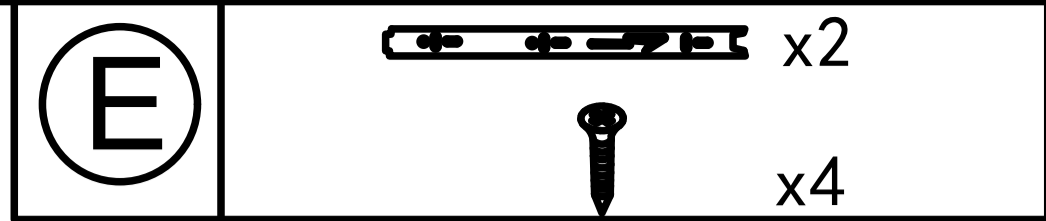
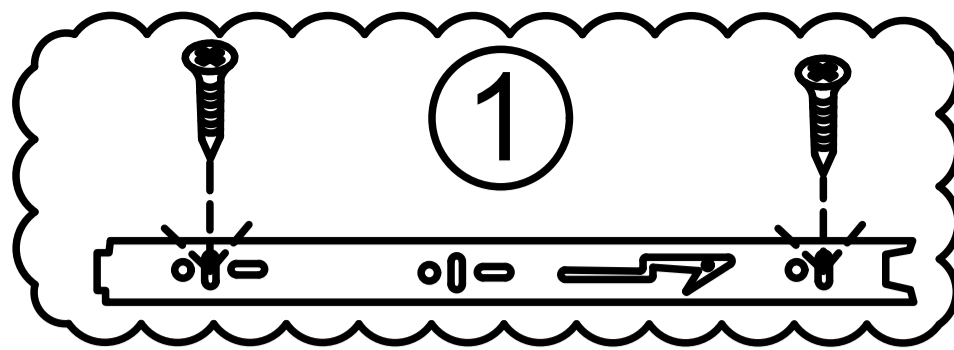
Step 13

ⓑ x2

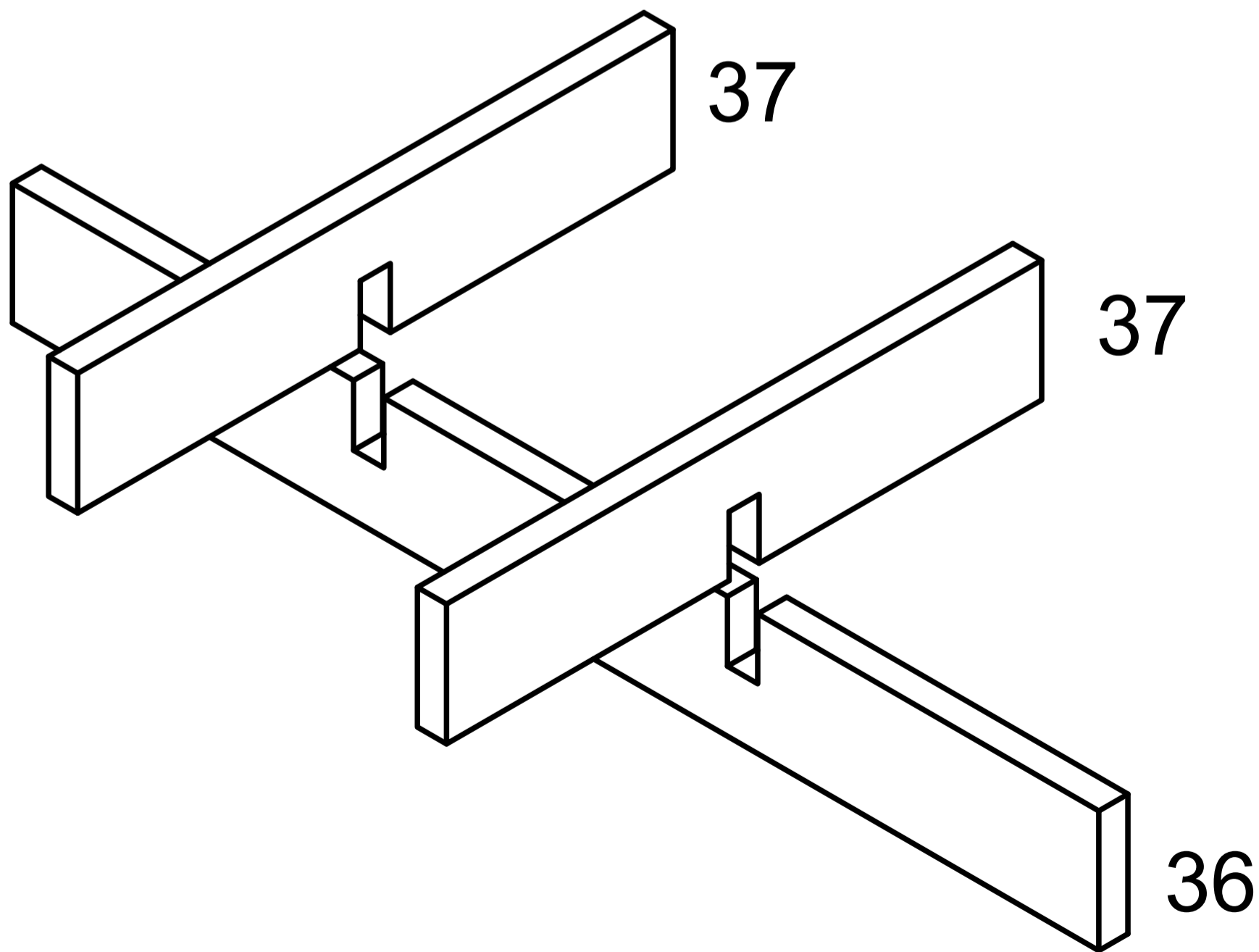


14

Step 14

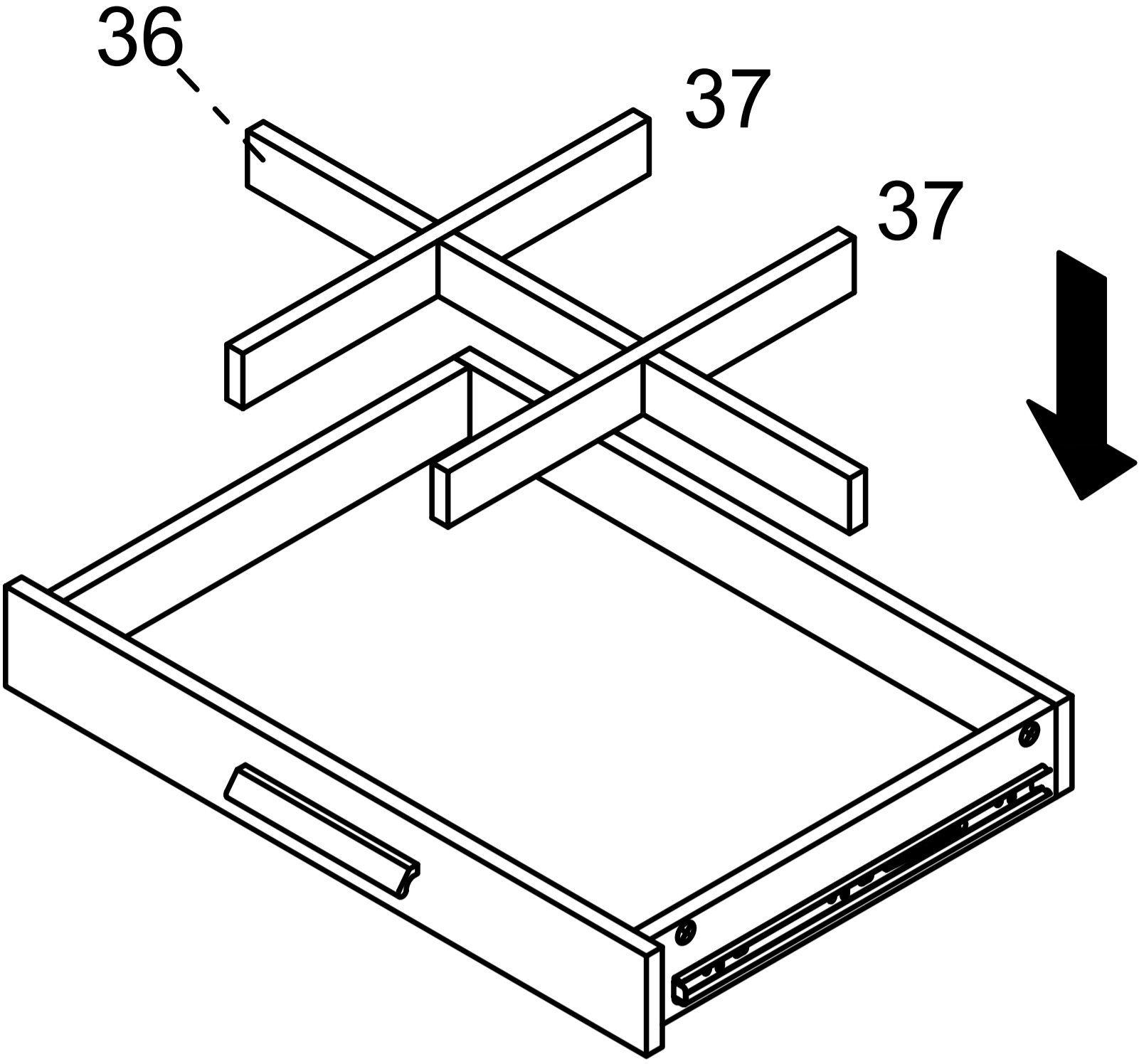


Step 15

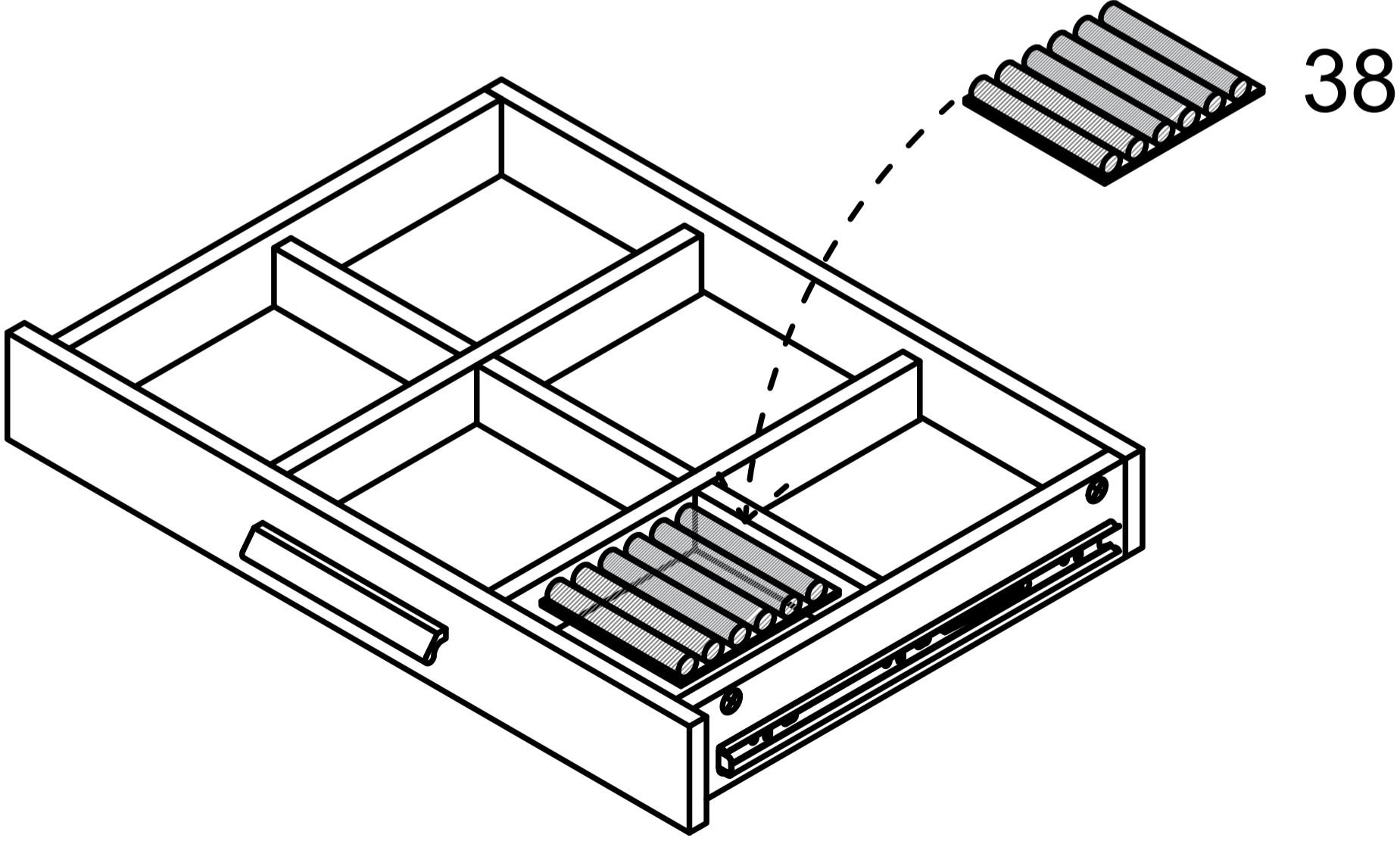


15

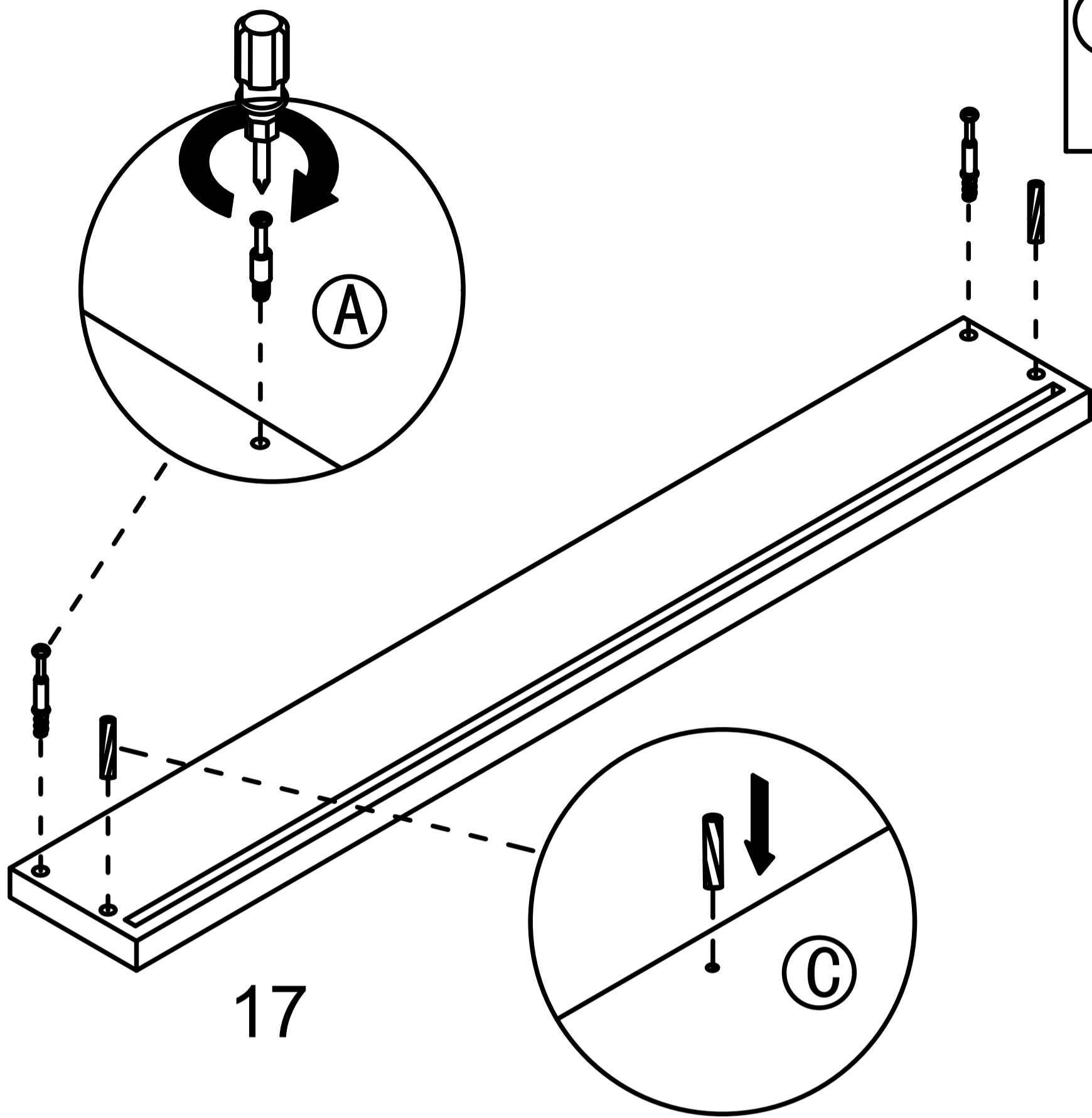
Step 16

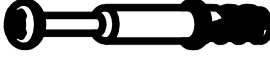



Step 17

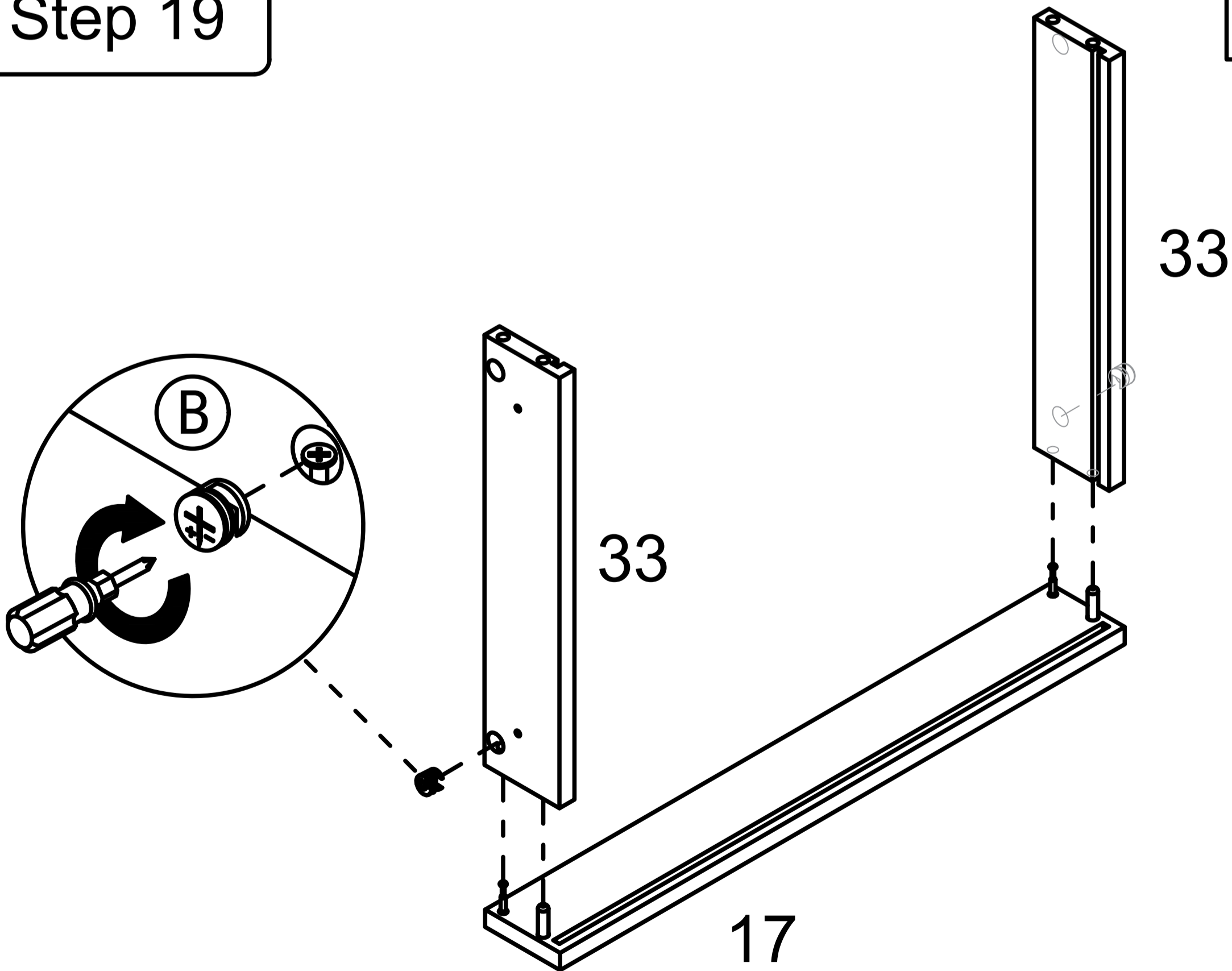



Step 18



- (A)  x2
- (C)  x2

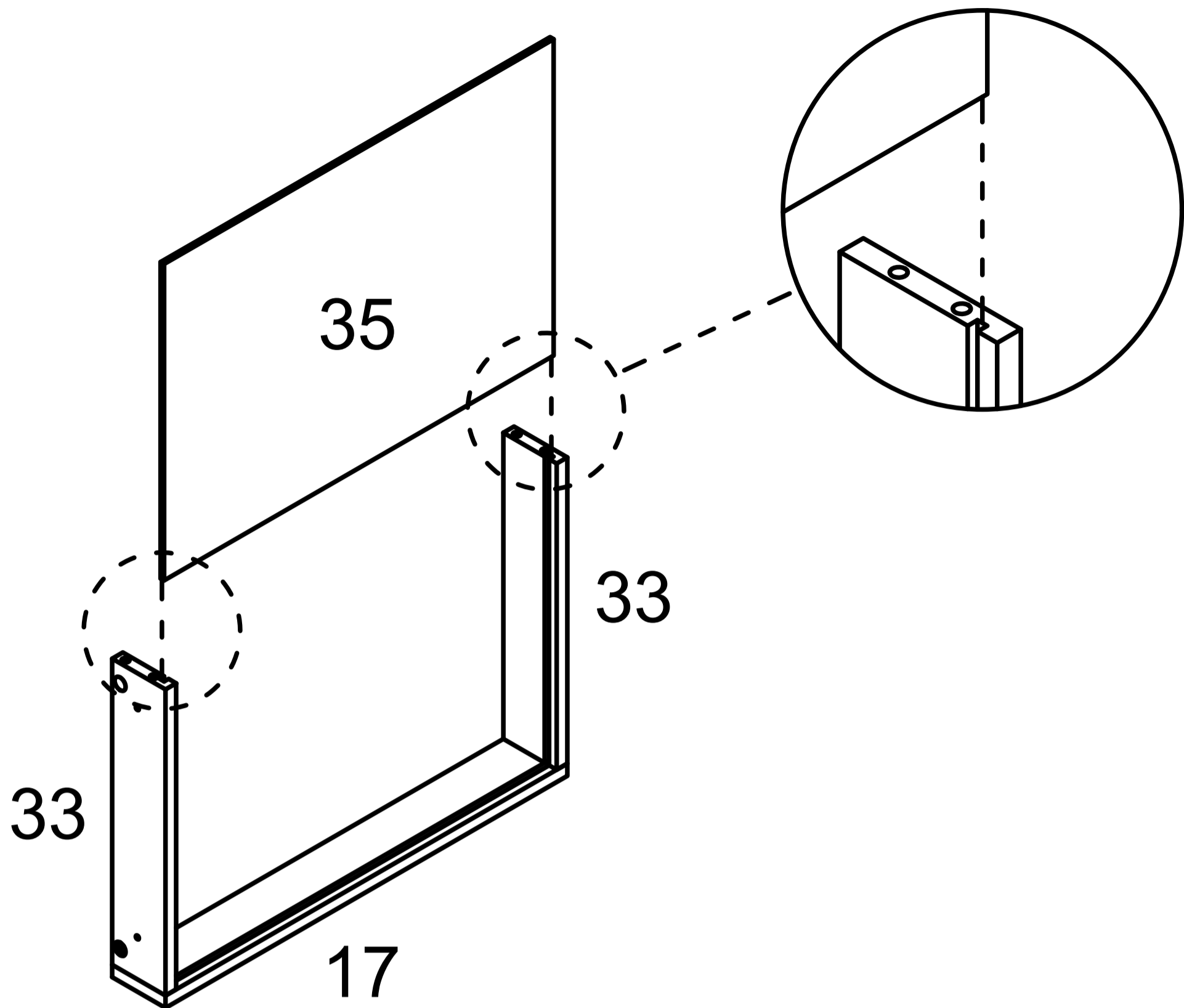
Step 19



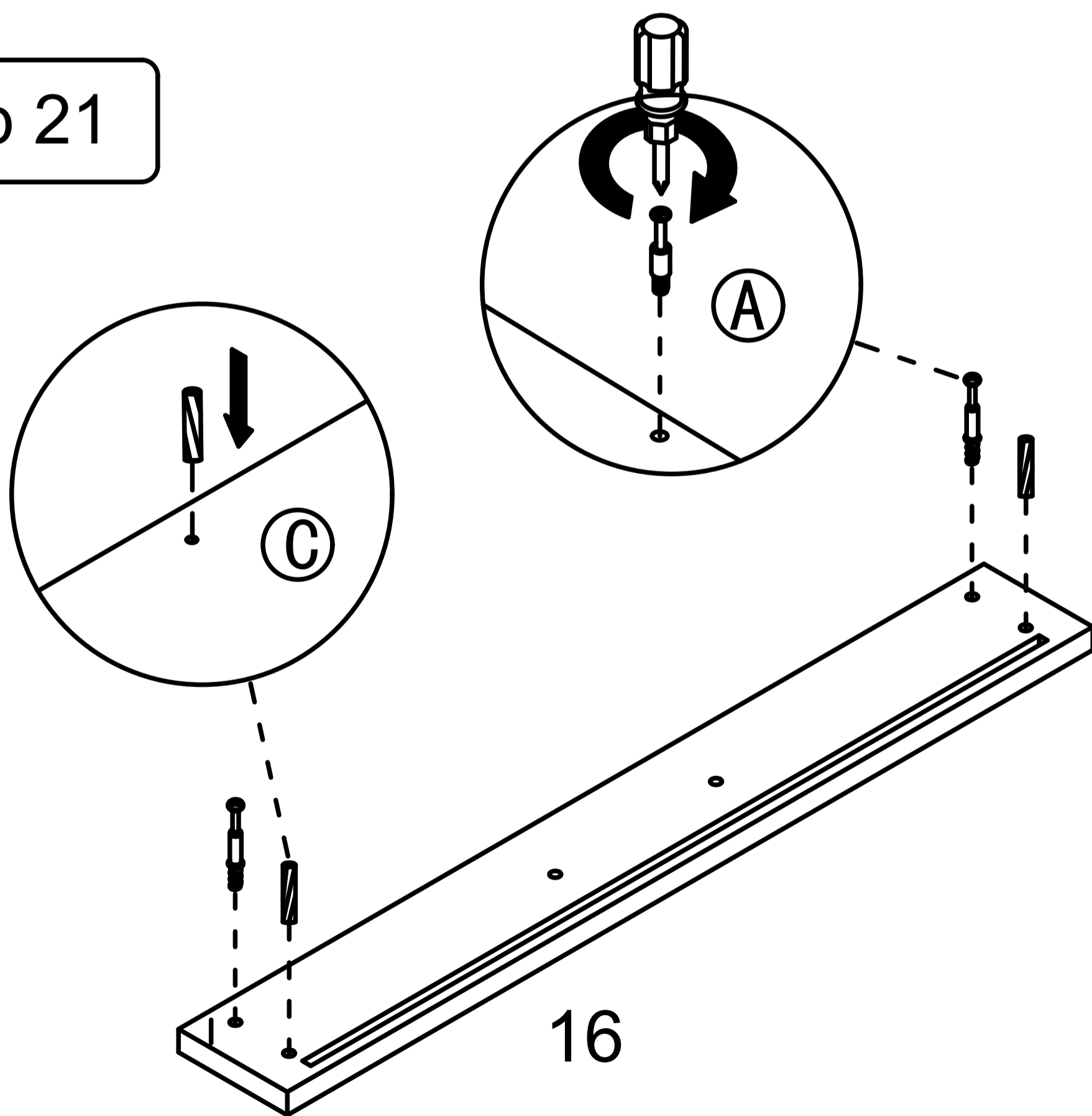
- (B)  x2

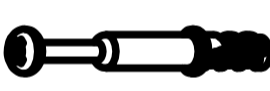



Step 20



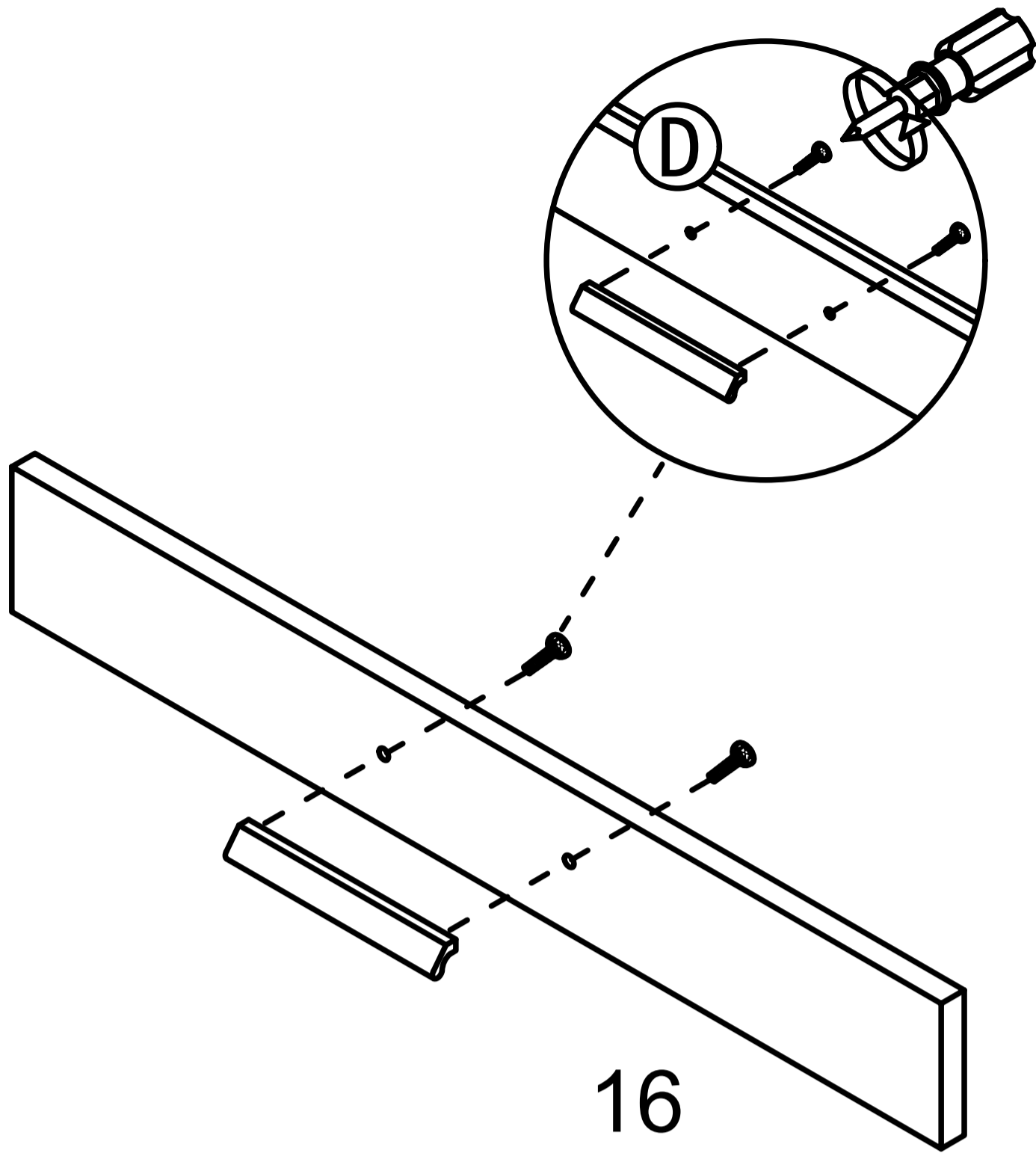
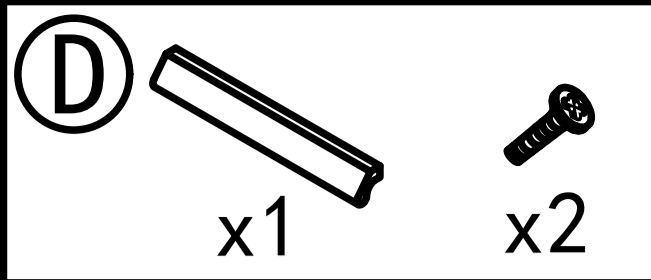
Step 21



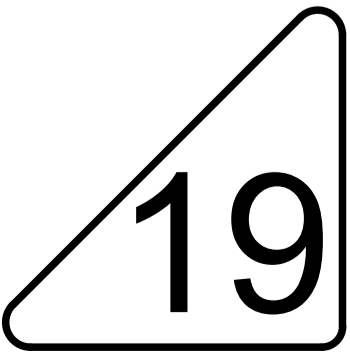
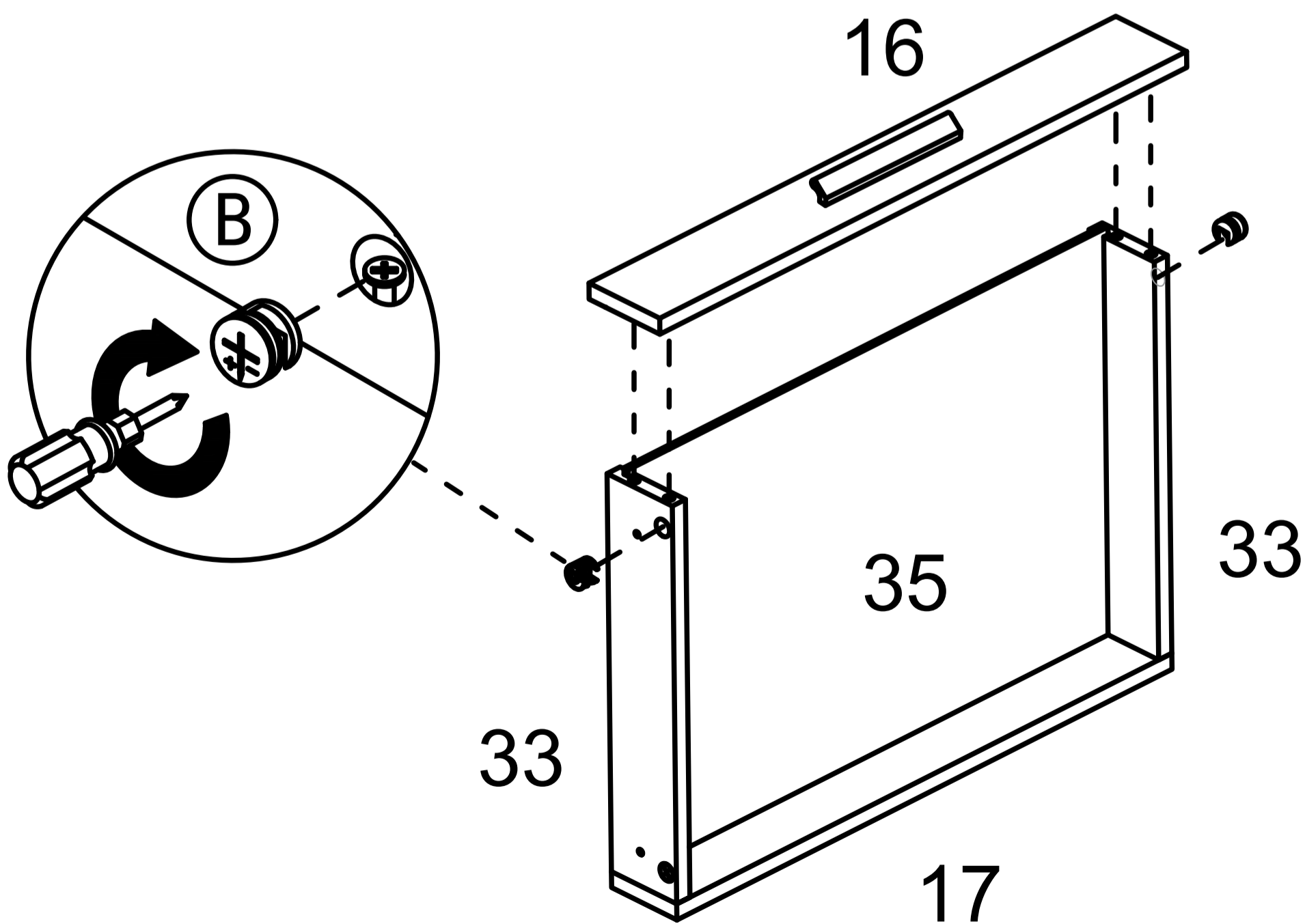
- (A)  x2
- (C)  x2

18

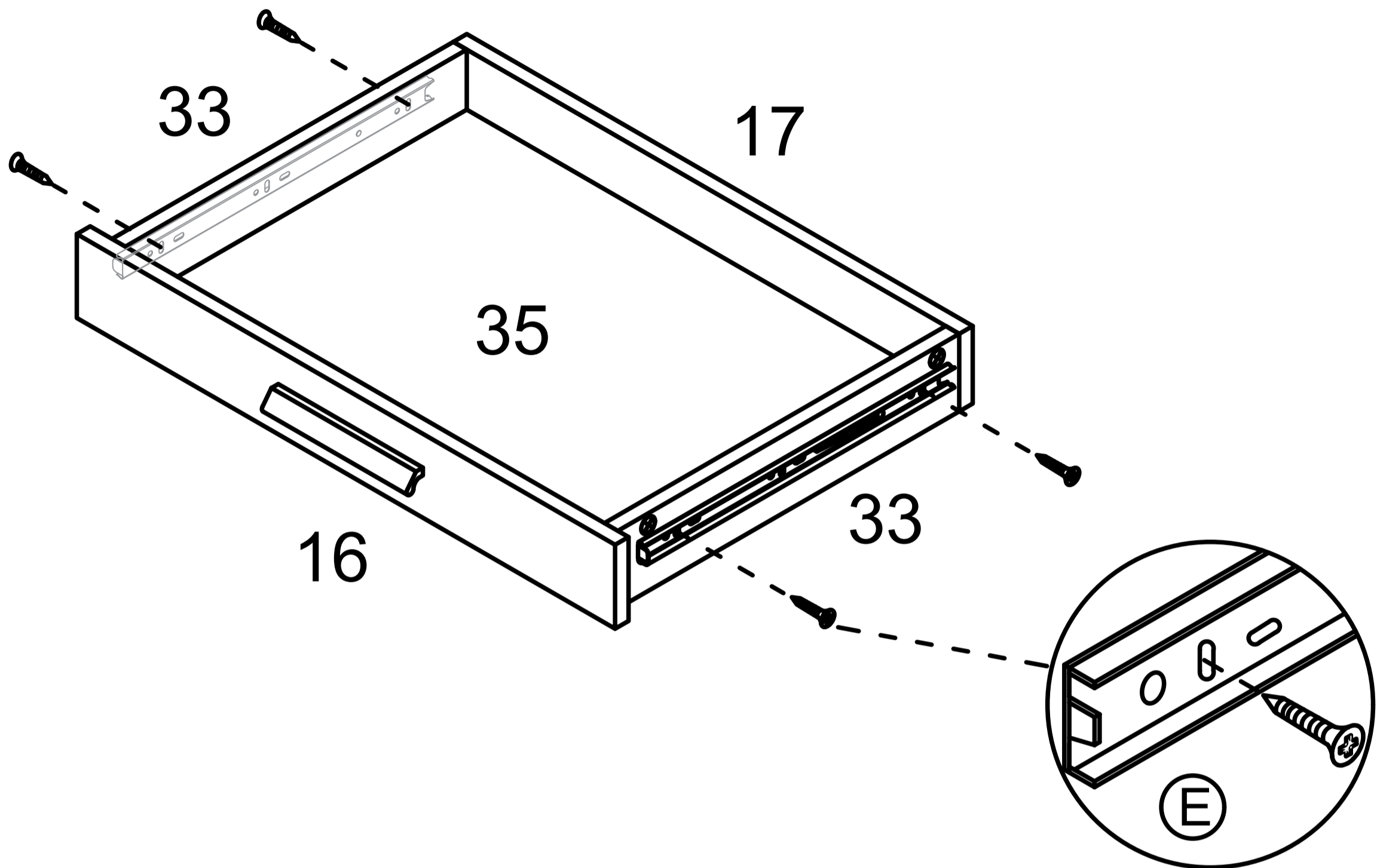
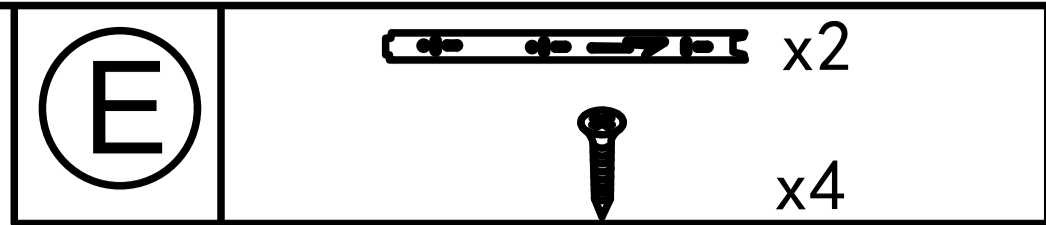
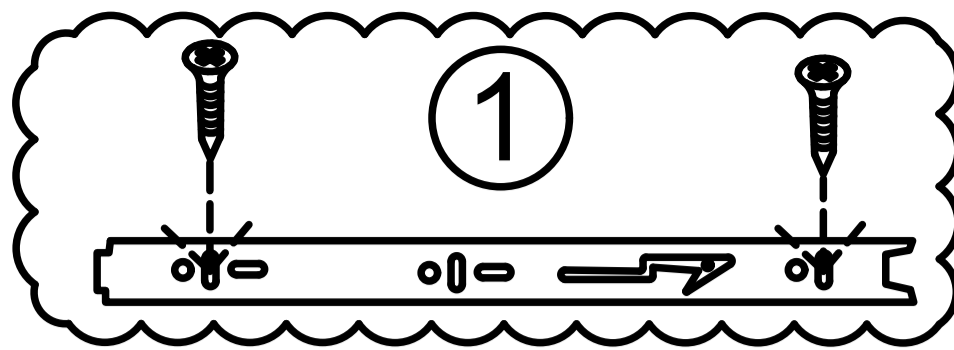
Step 22



Step 23

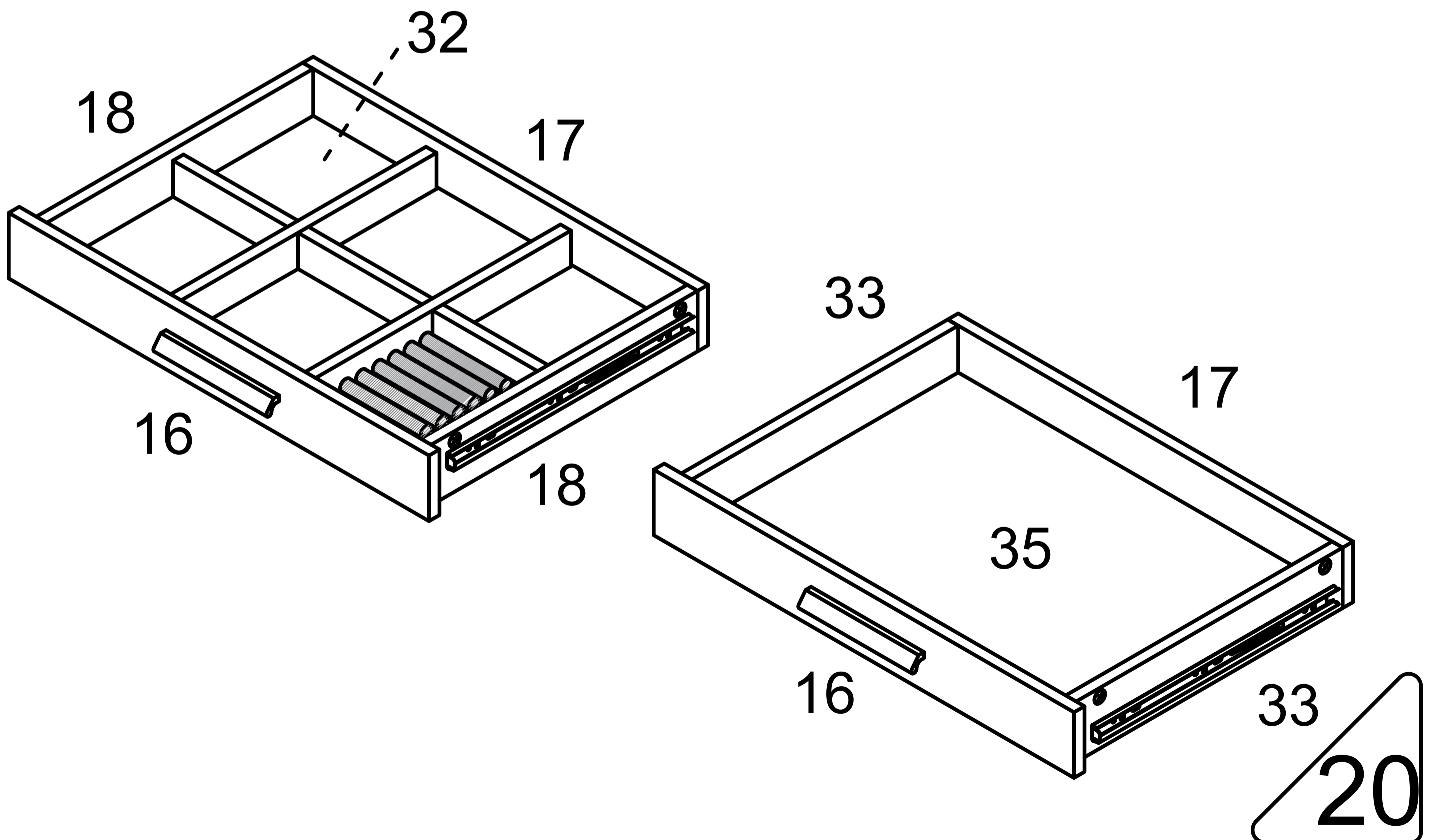


Step 24

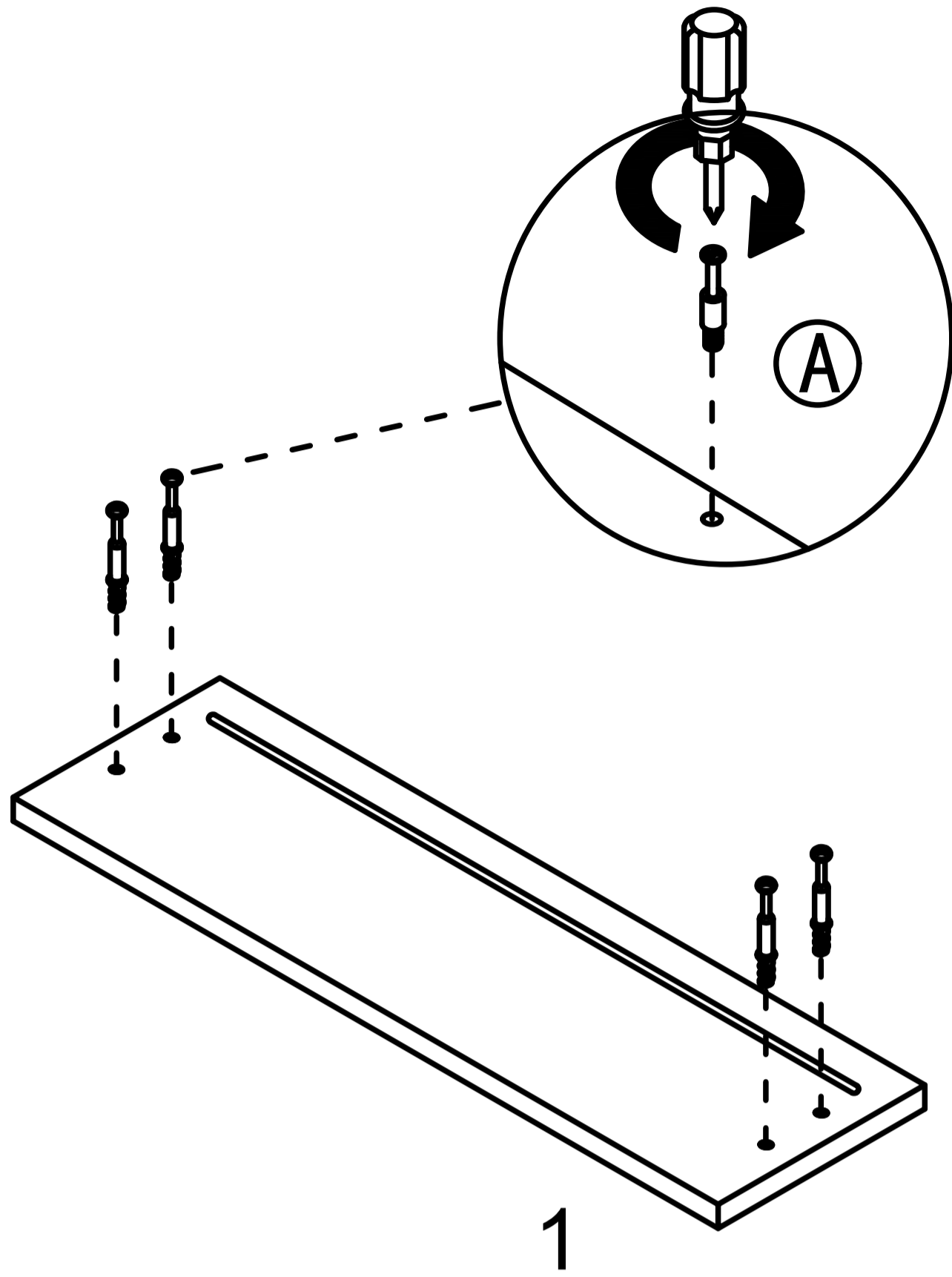
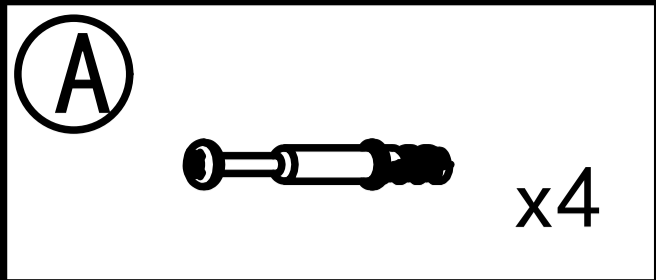


Step 25

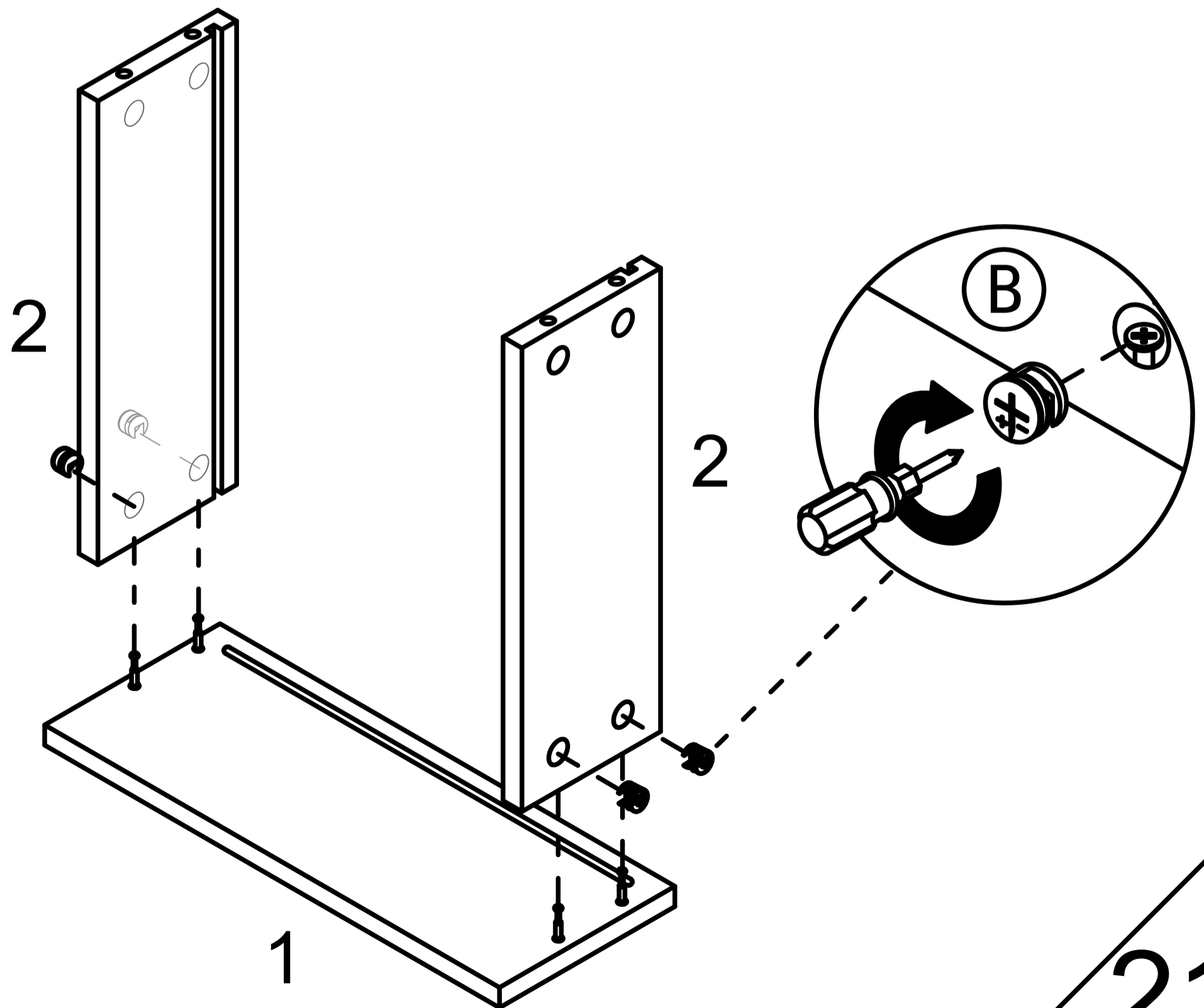
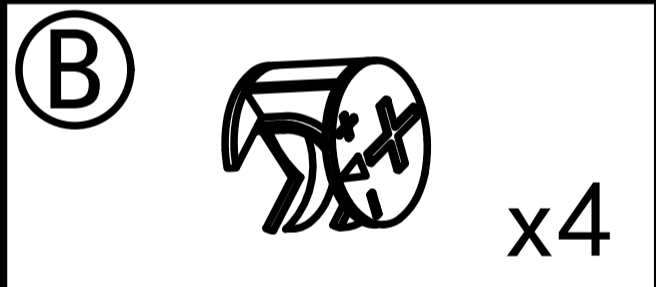
The effect of the right drawer of the main cabinet after the installation is completed



Step 26

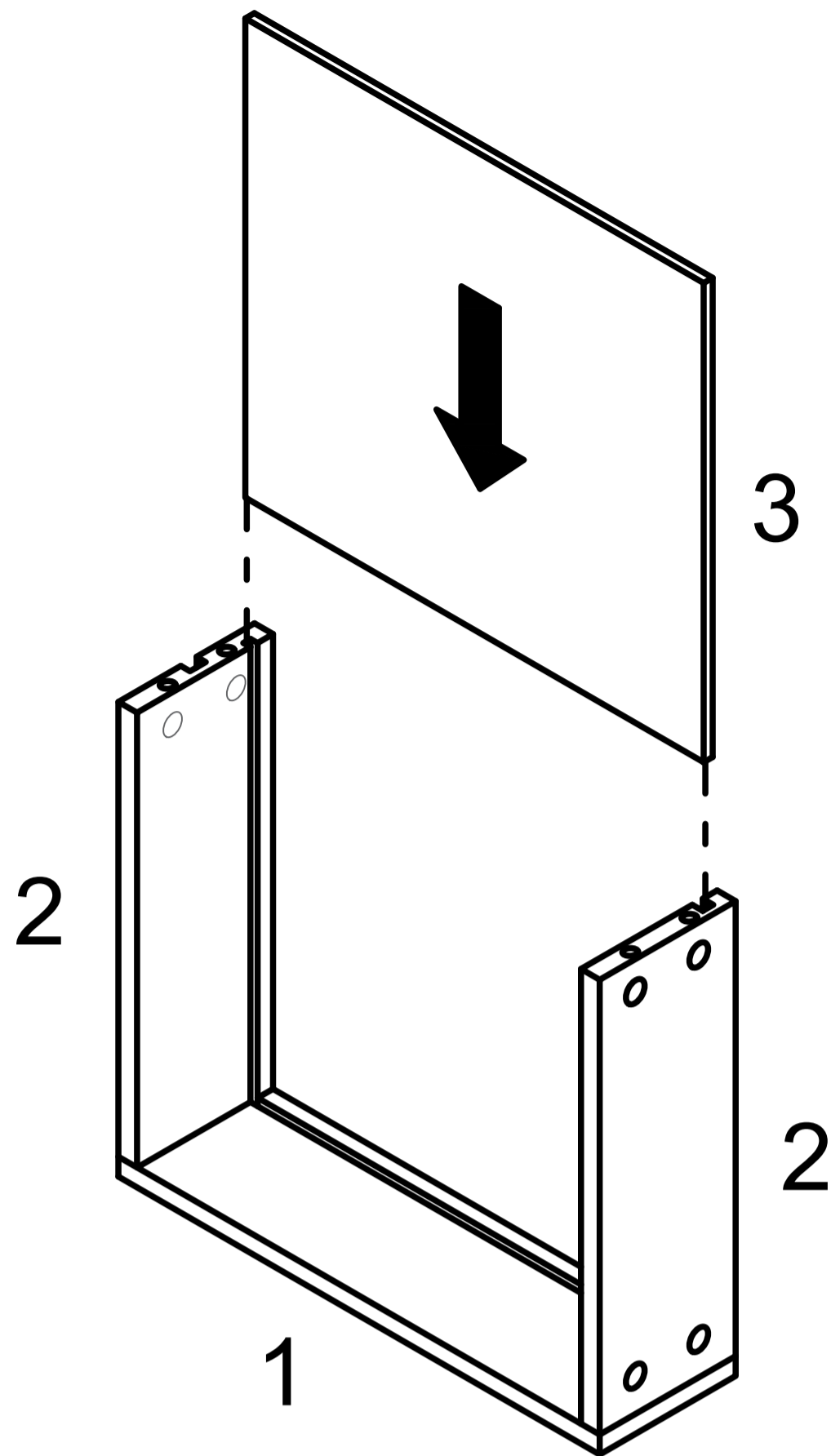


Step 27

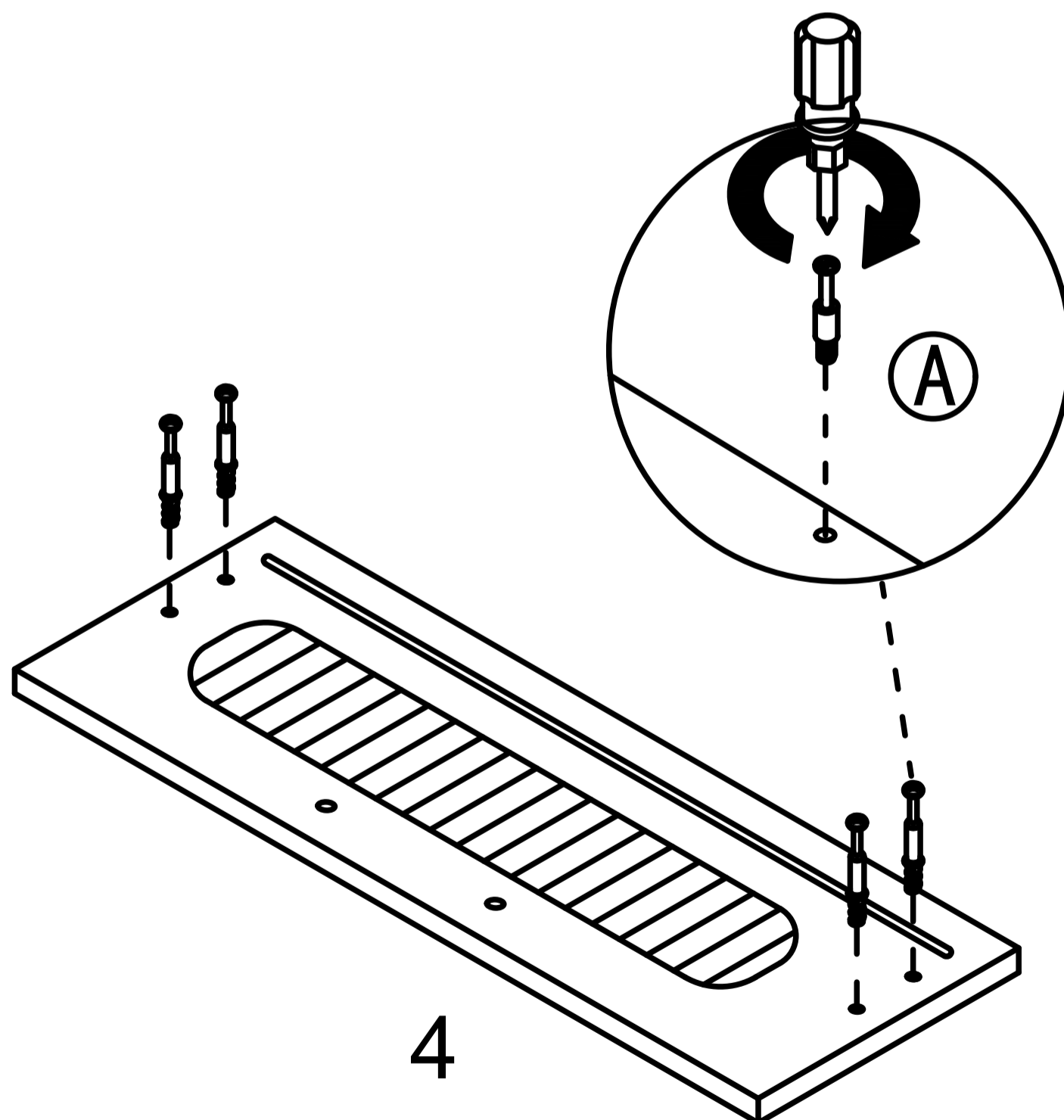
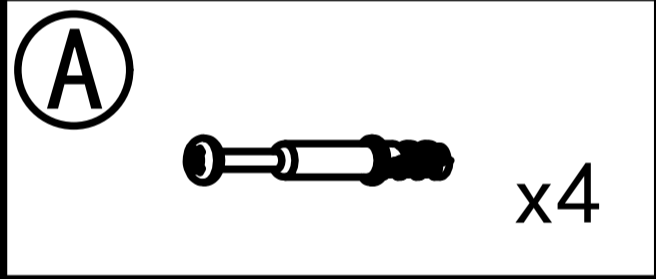


1  
SY

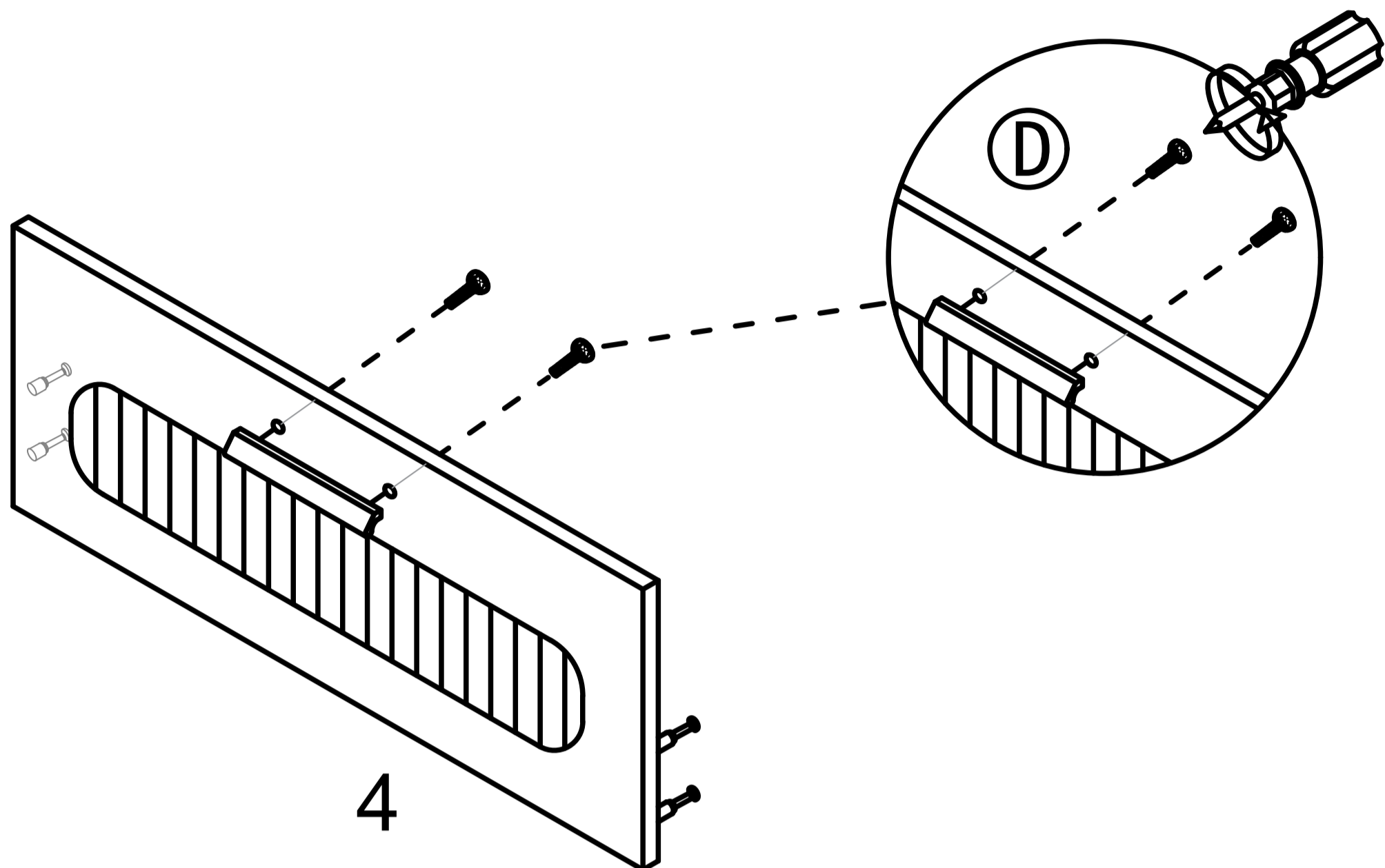
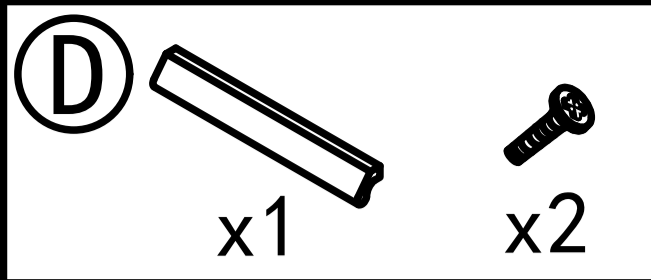
Step 28



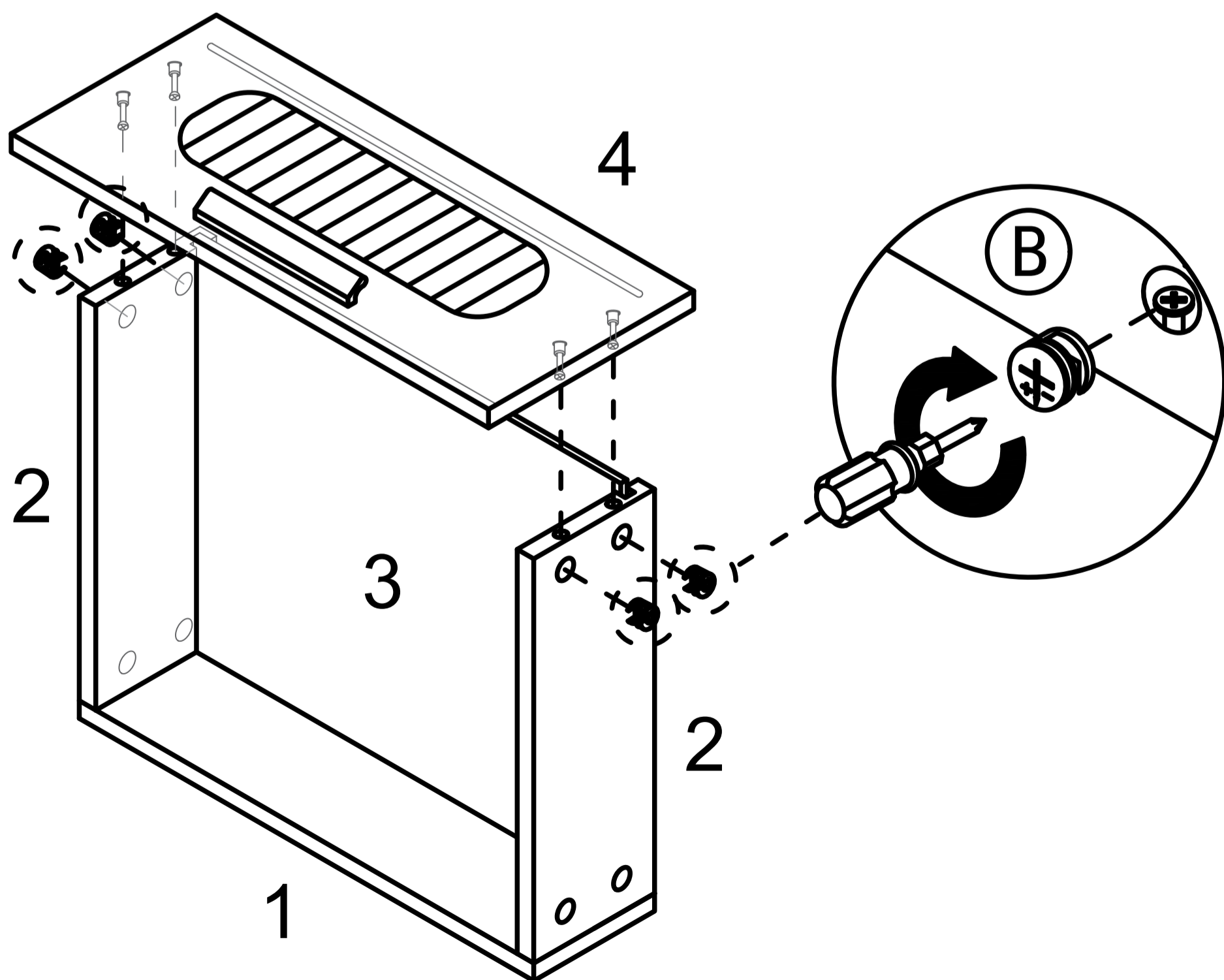
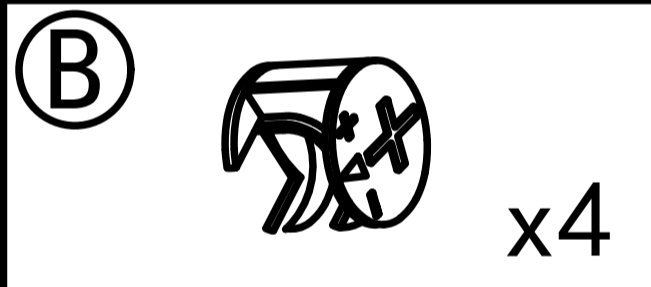
Step 29



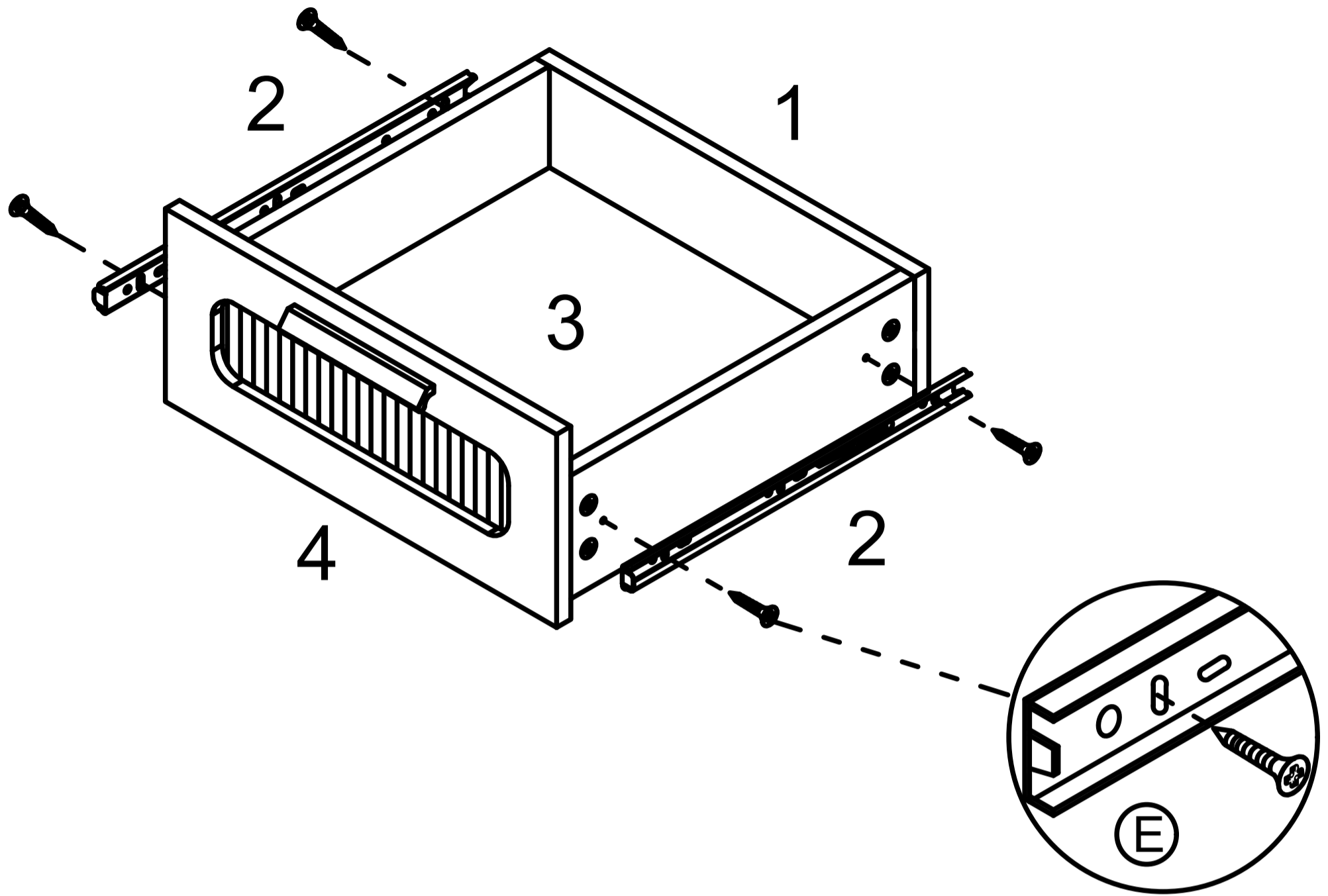
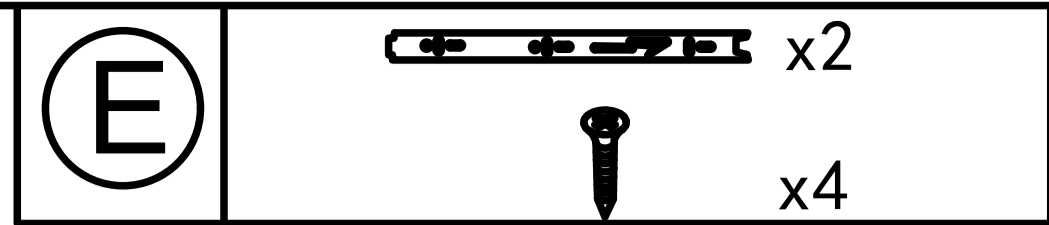
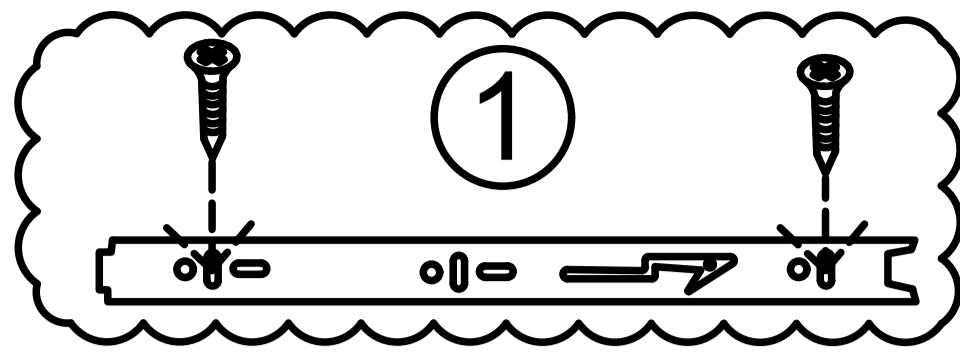
Step 30



Step 31

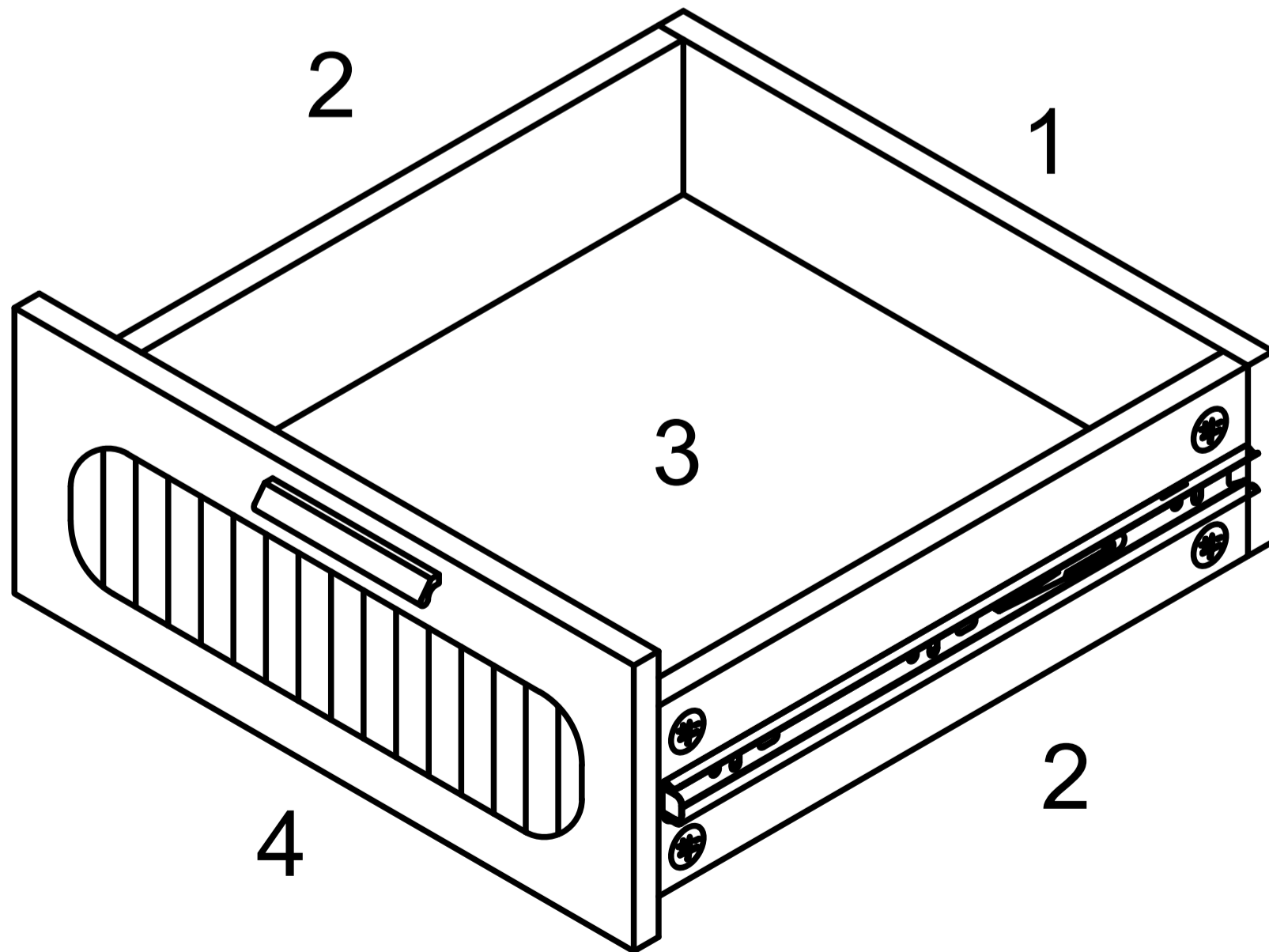
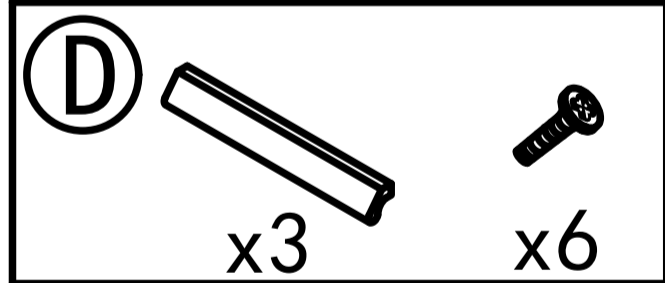
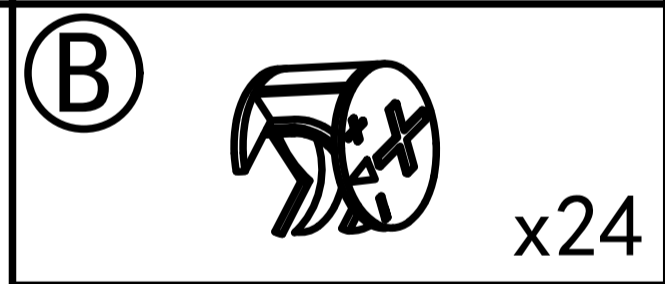
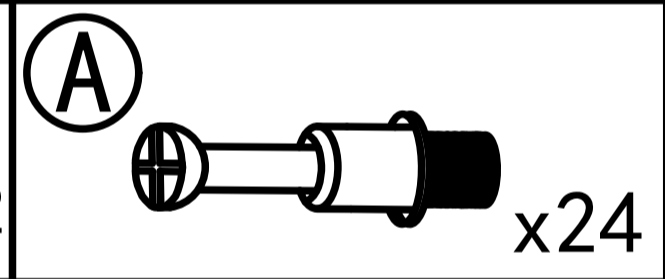
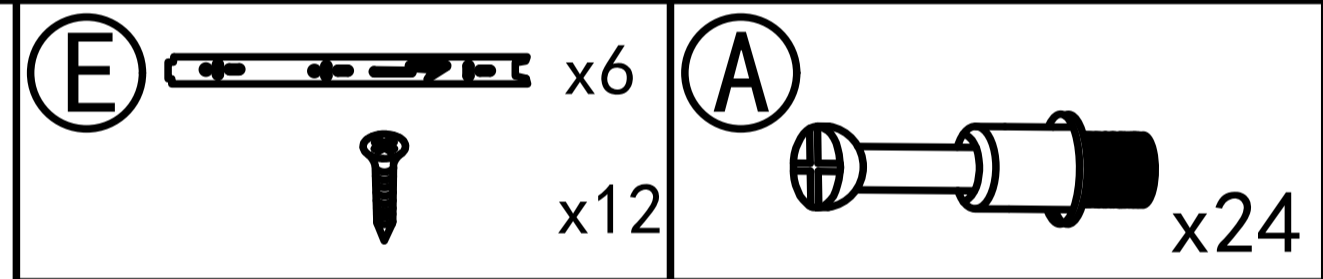


Step 32



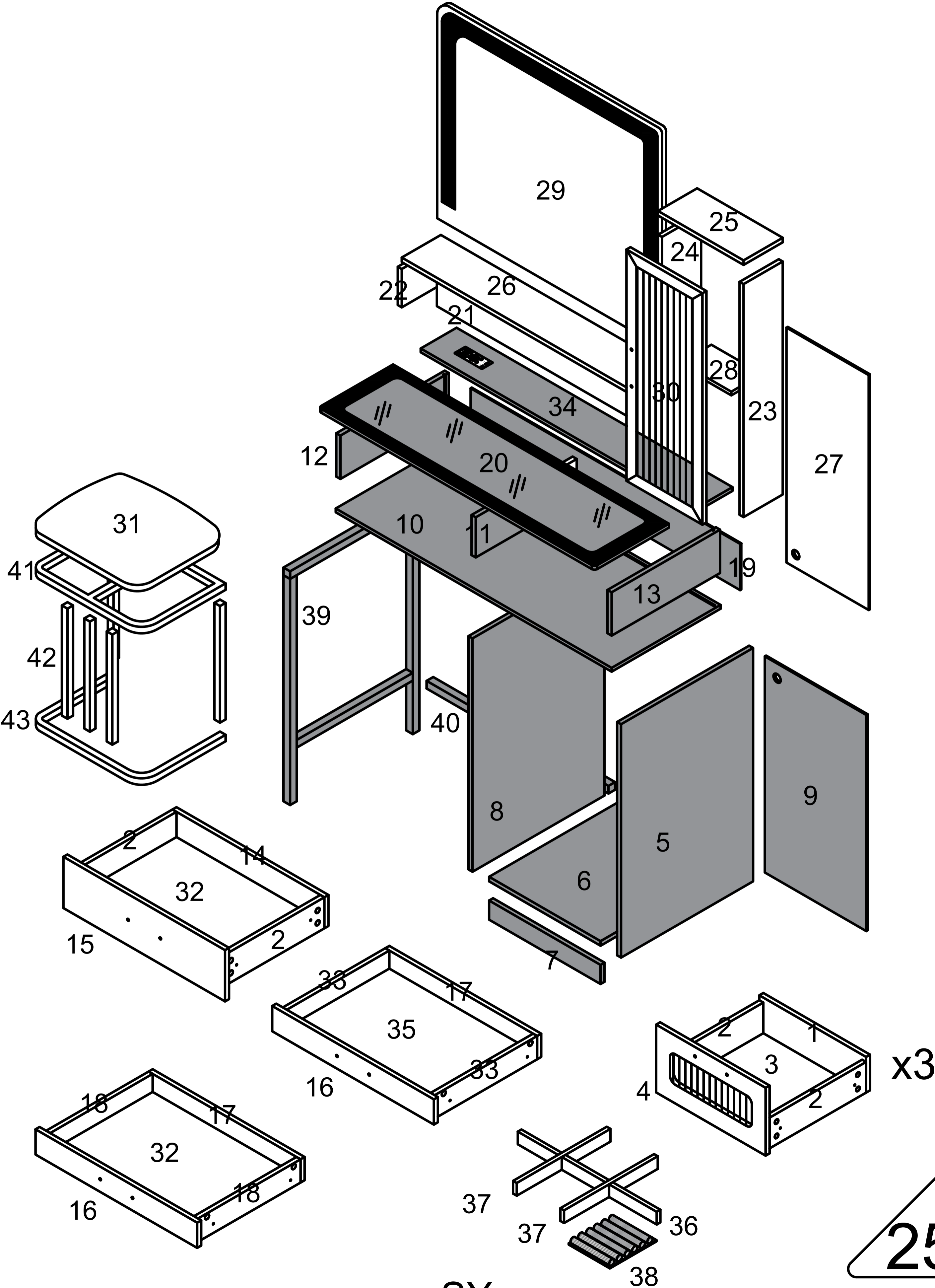
Step 33

x3

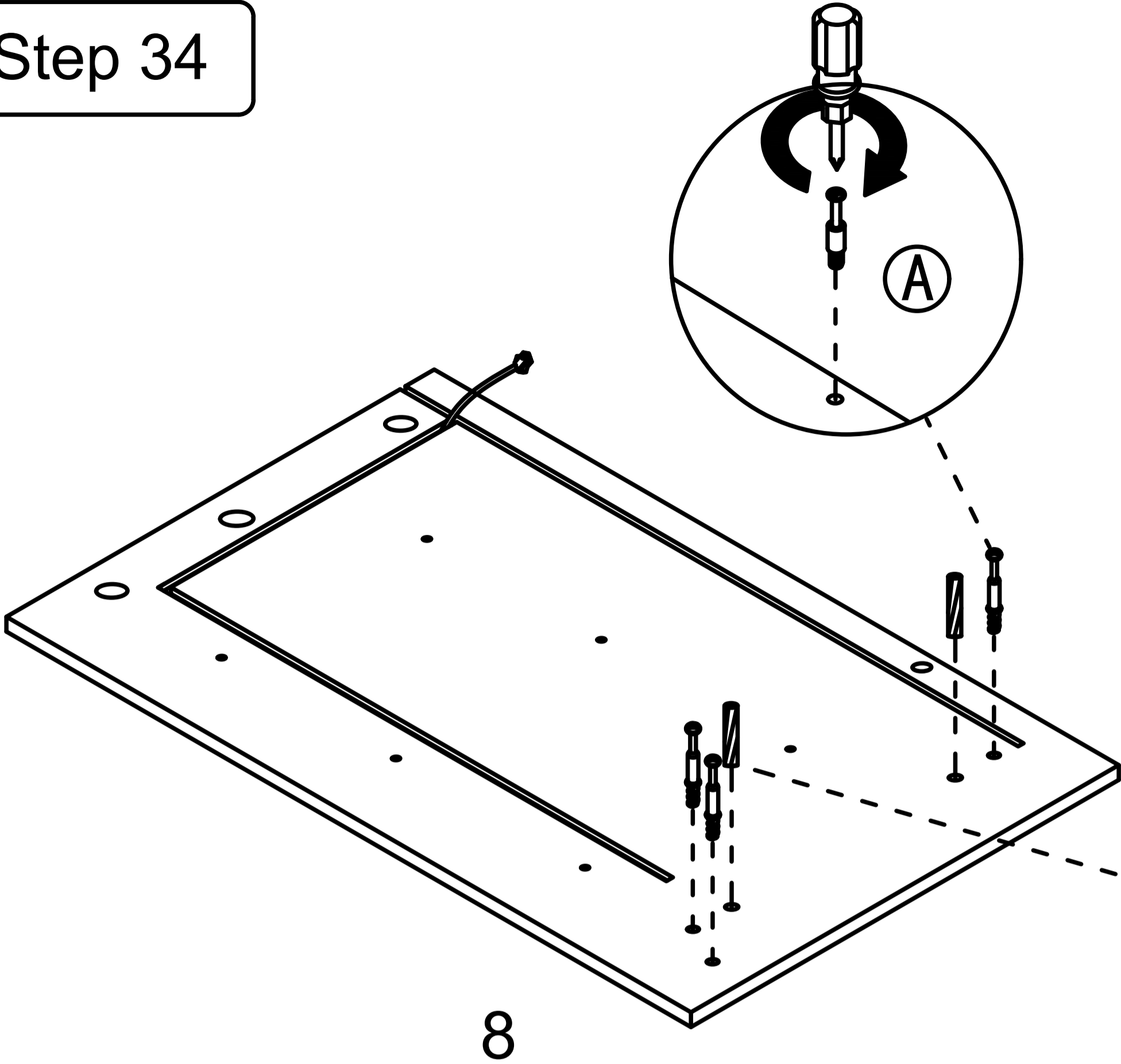


Sub-cabinet drawer, repeat the installation steps 26 to 32

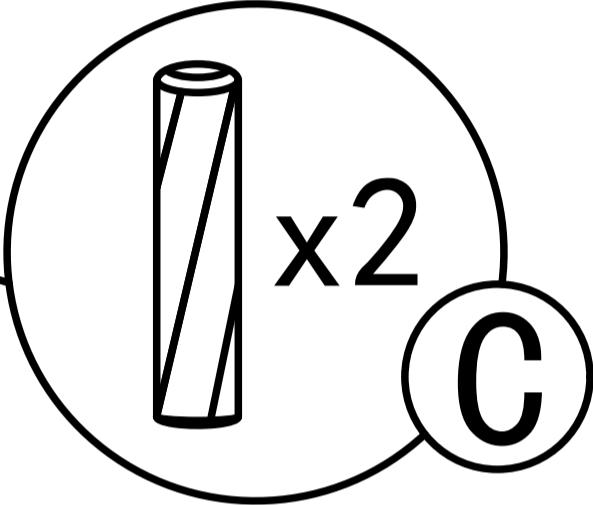
# Product structure decomposition



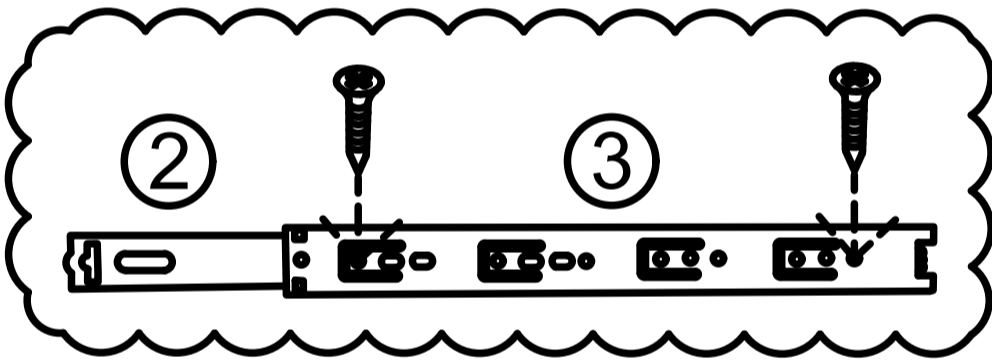
Step 34



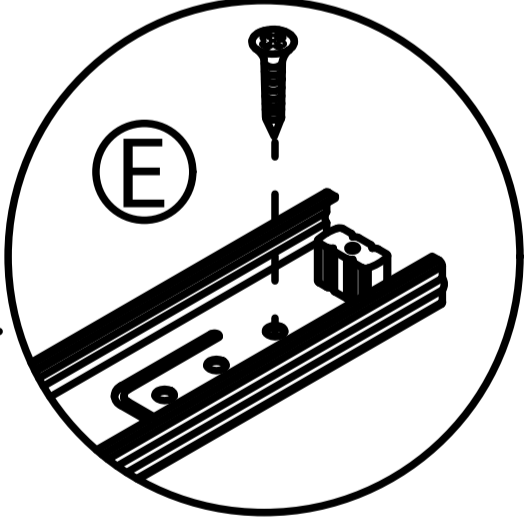
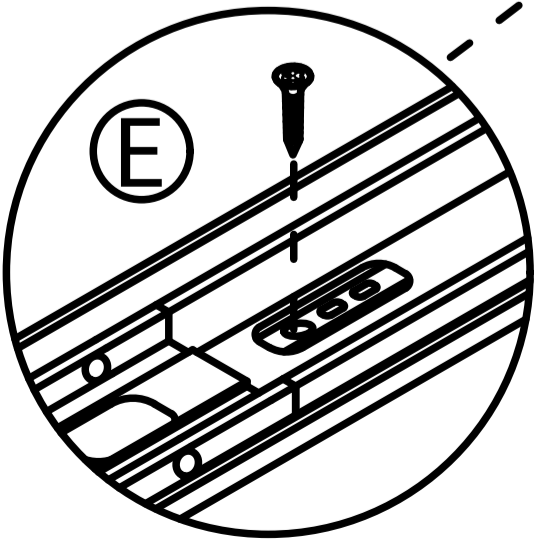
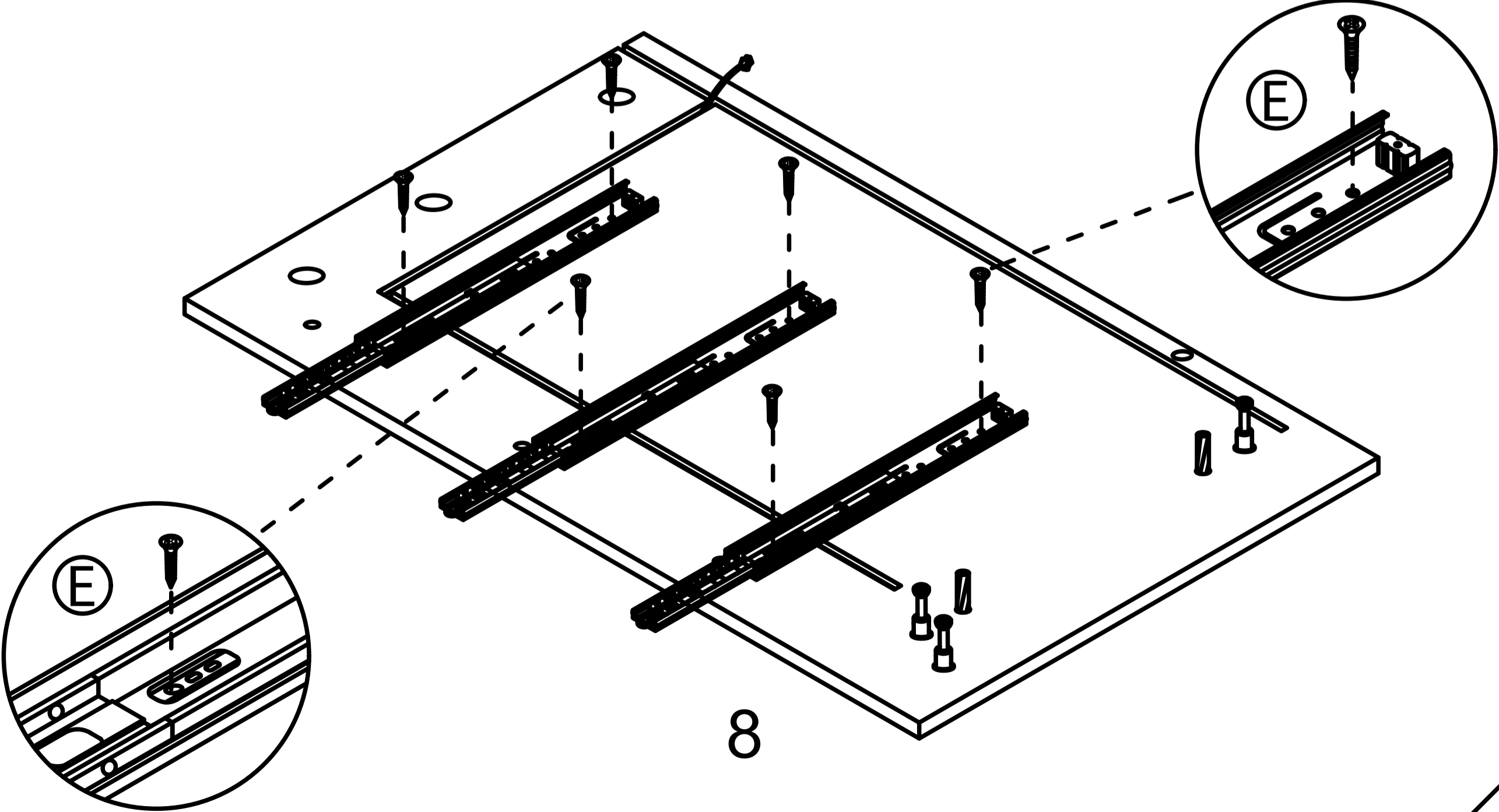
- (A) x3
- (C) x2



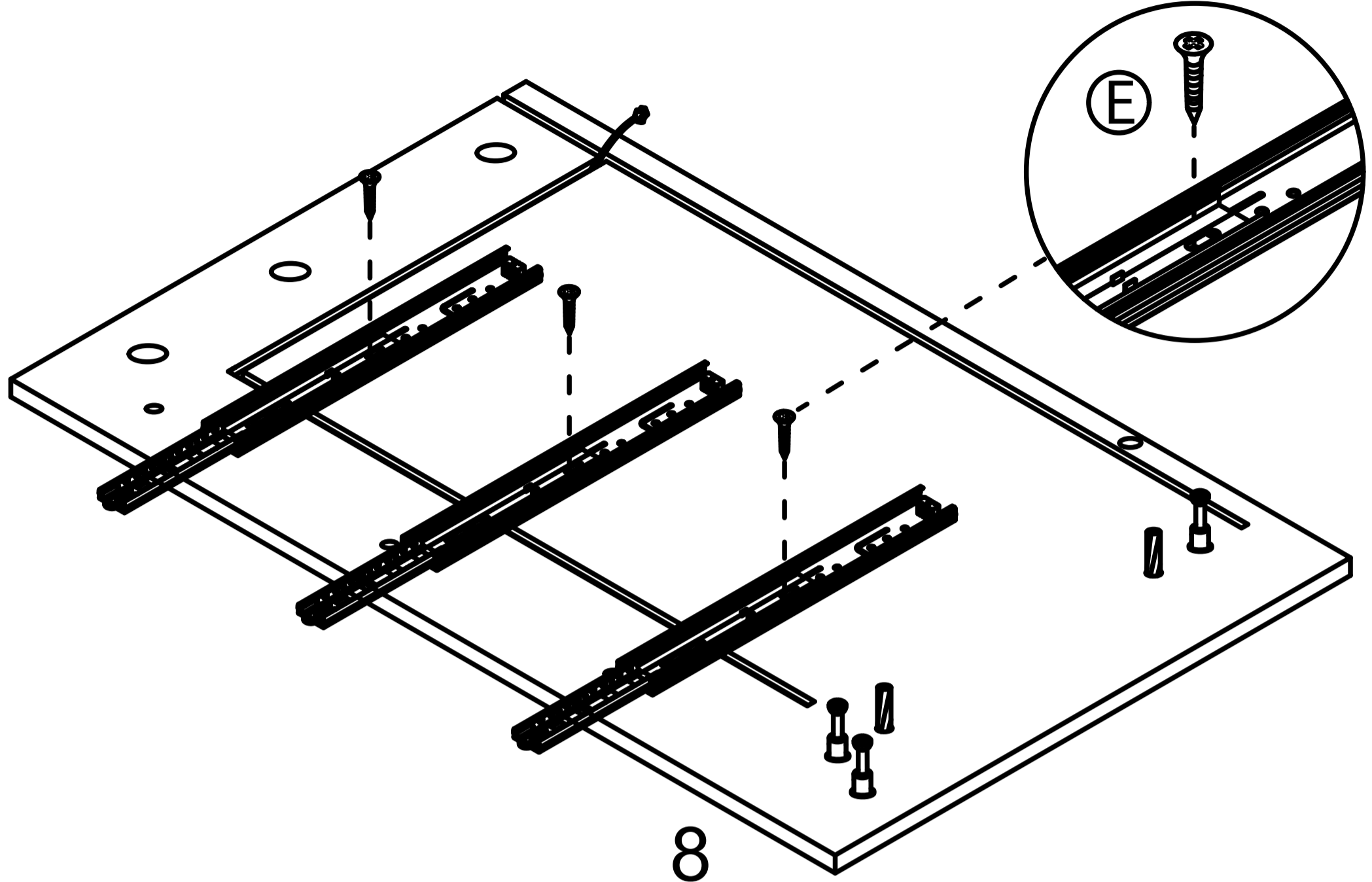
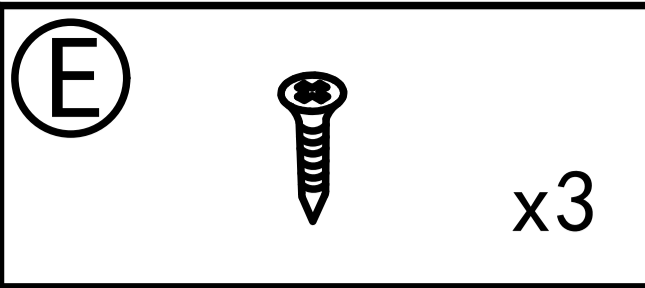
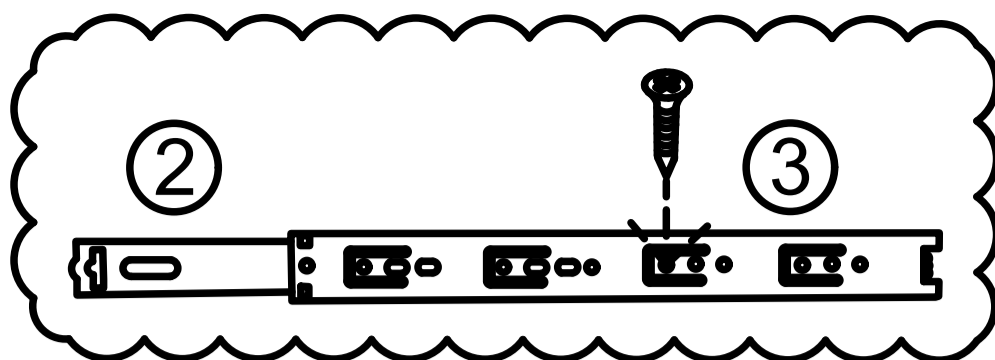
Step 35



- (E) x 6
- x 3

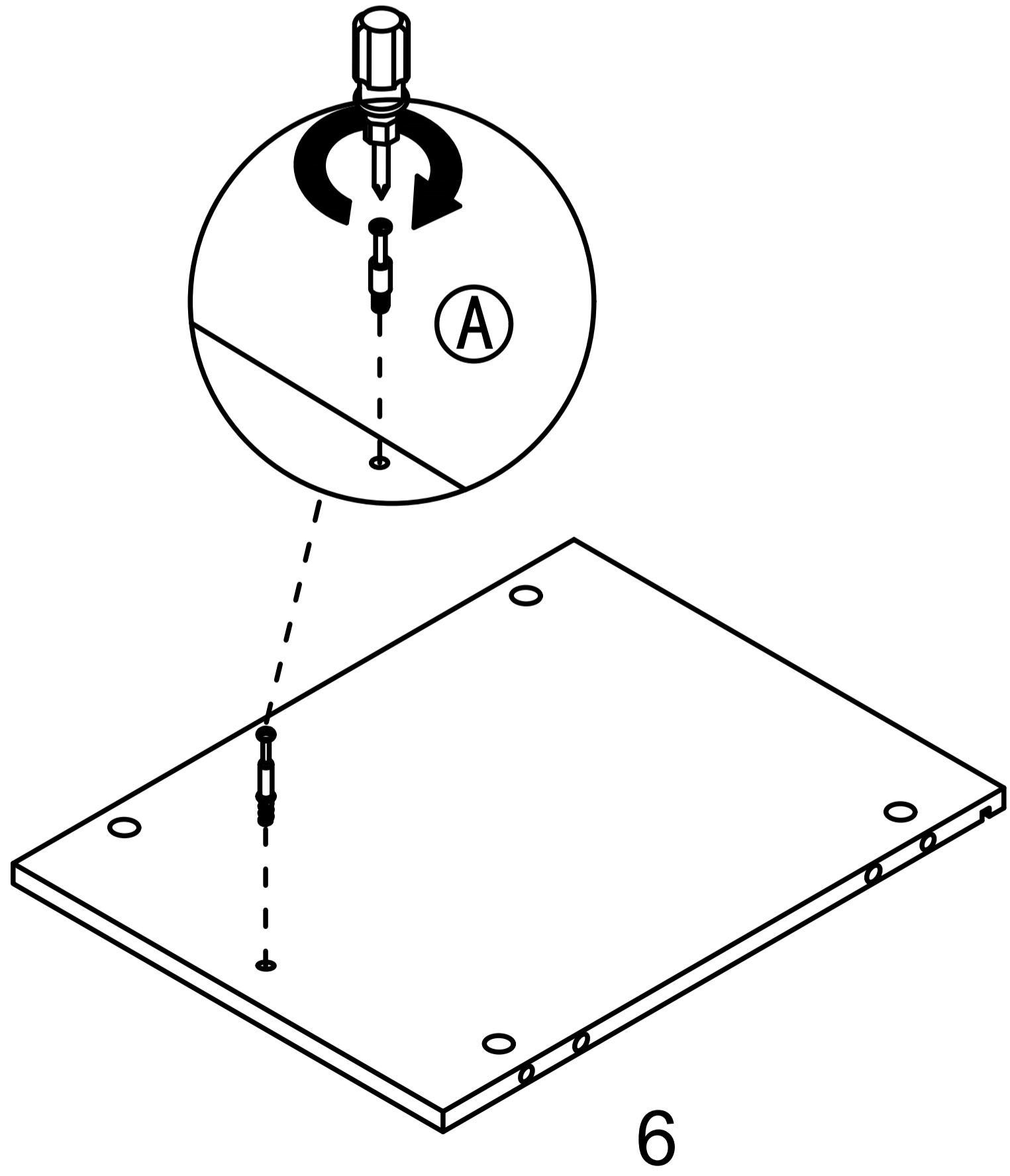
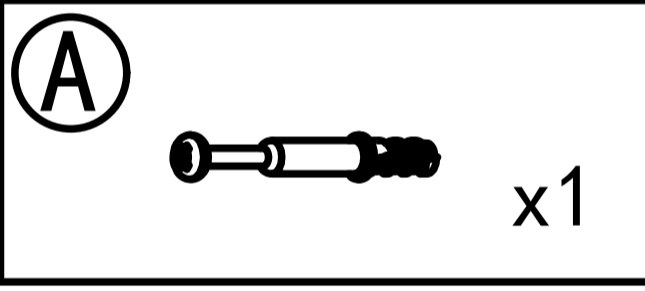


Step 36

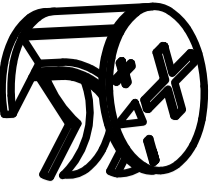


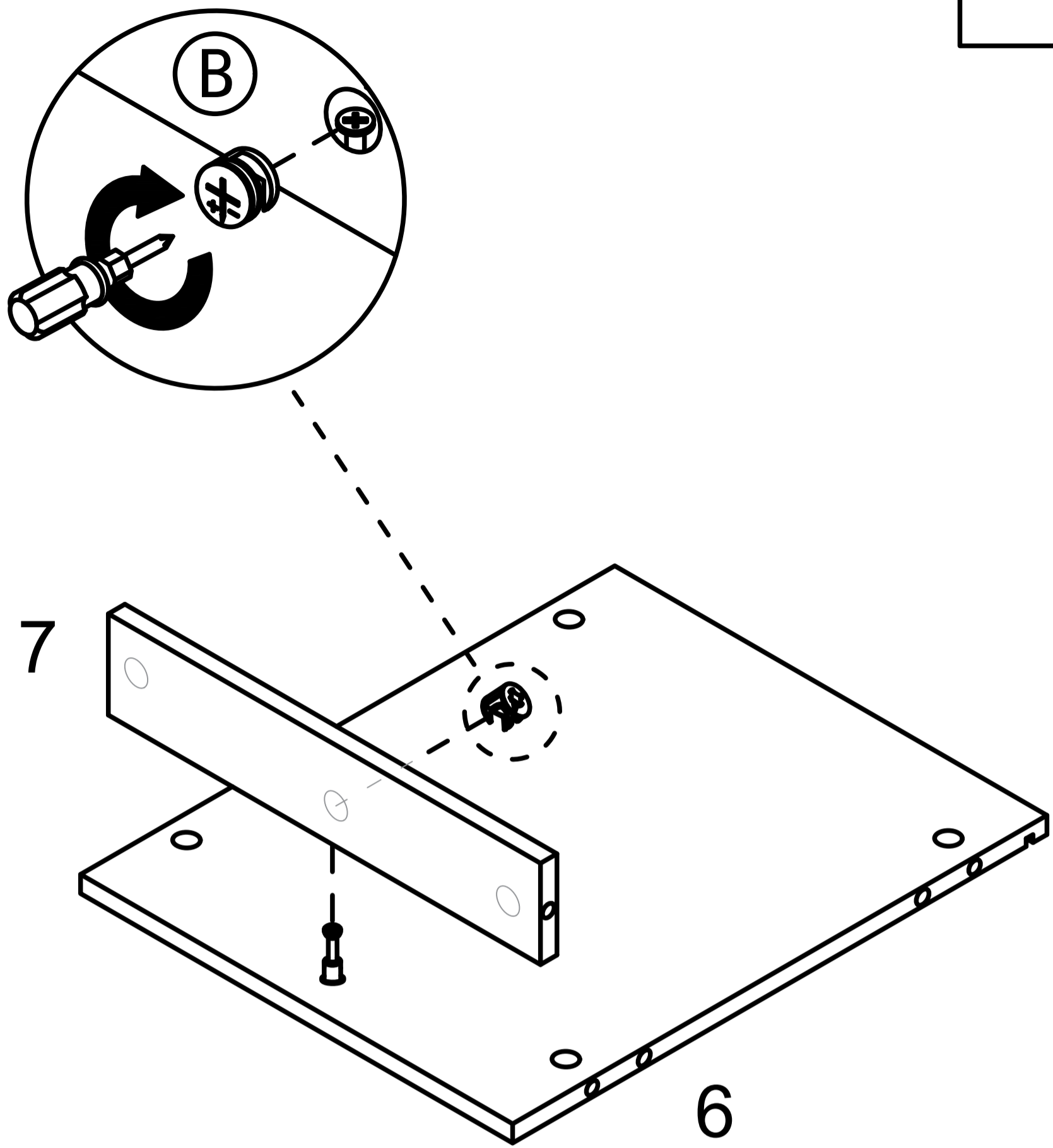
This hole is a rail fixing hole and can be installed as needed

Step 37




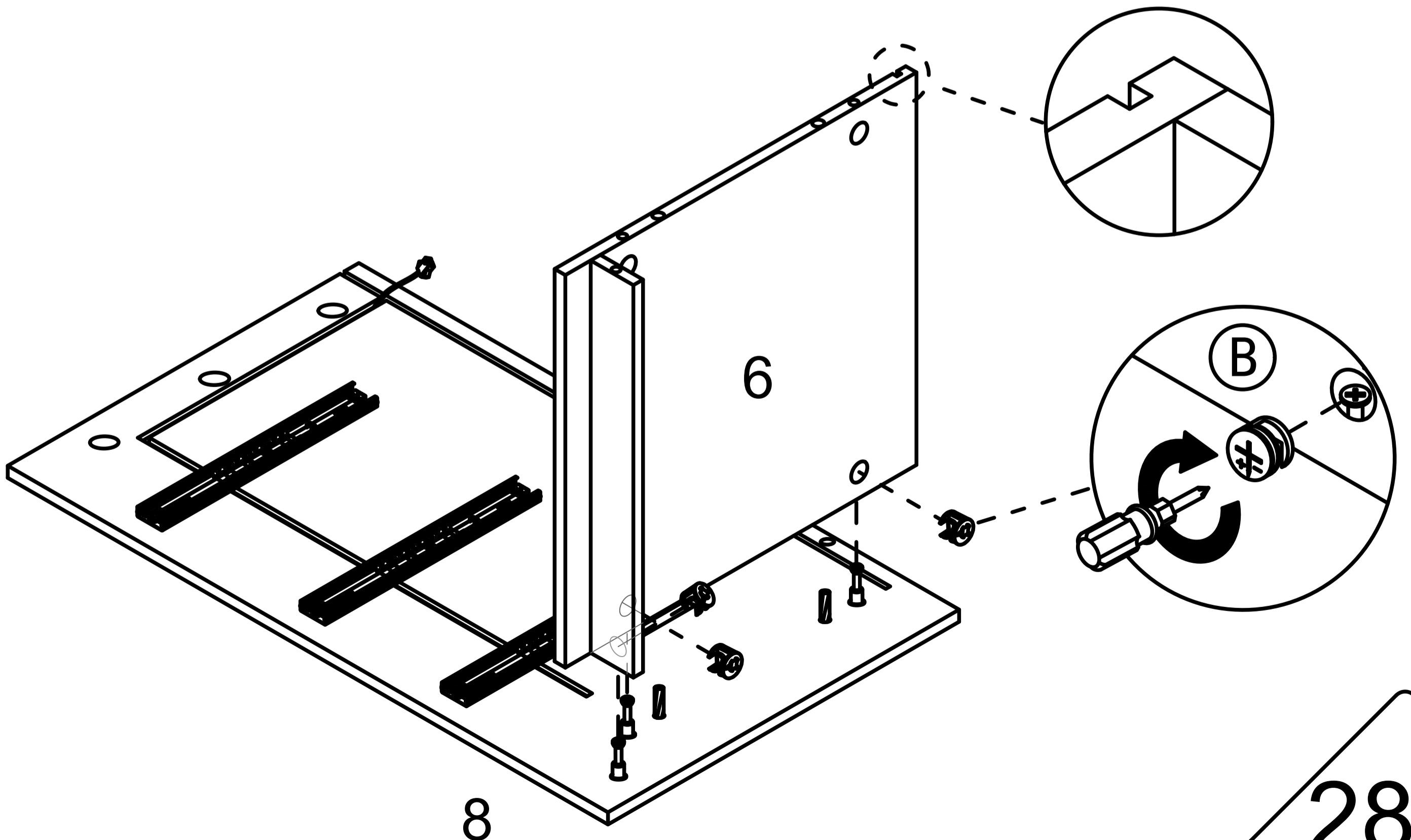
Step 38

(B)  x1

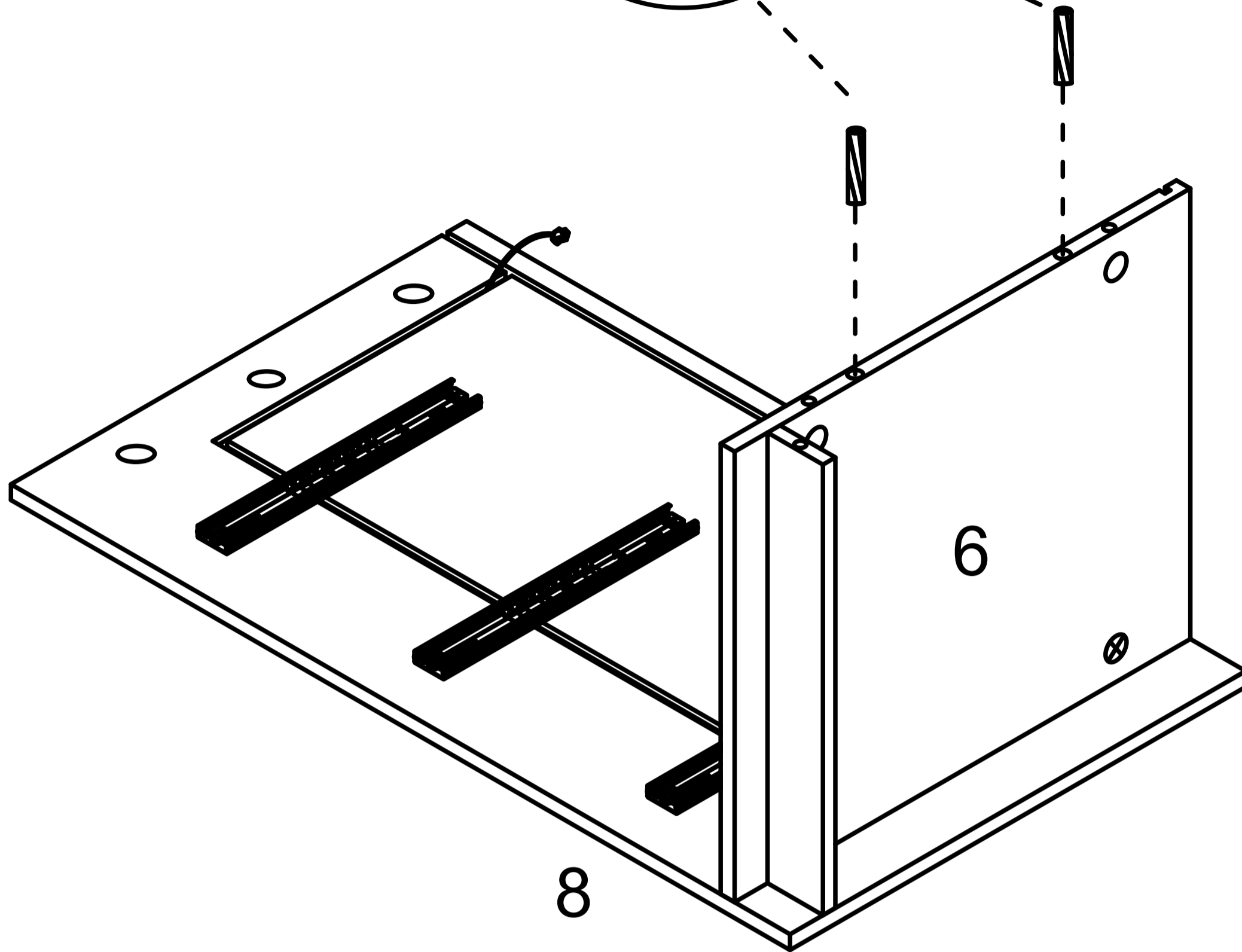
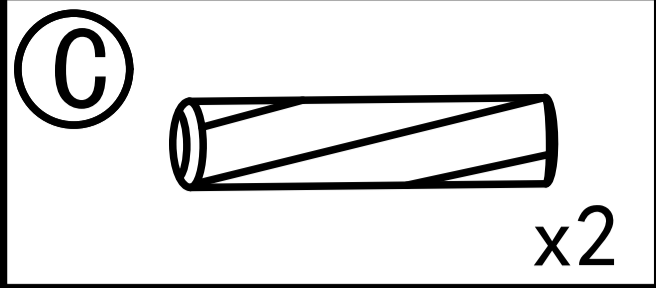
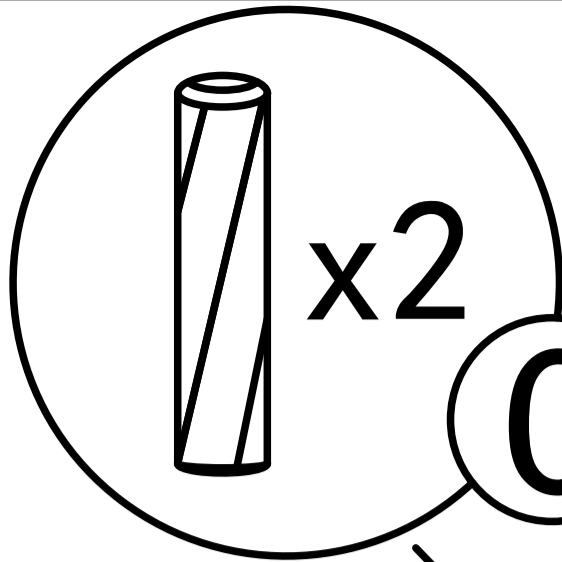


Step 39

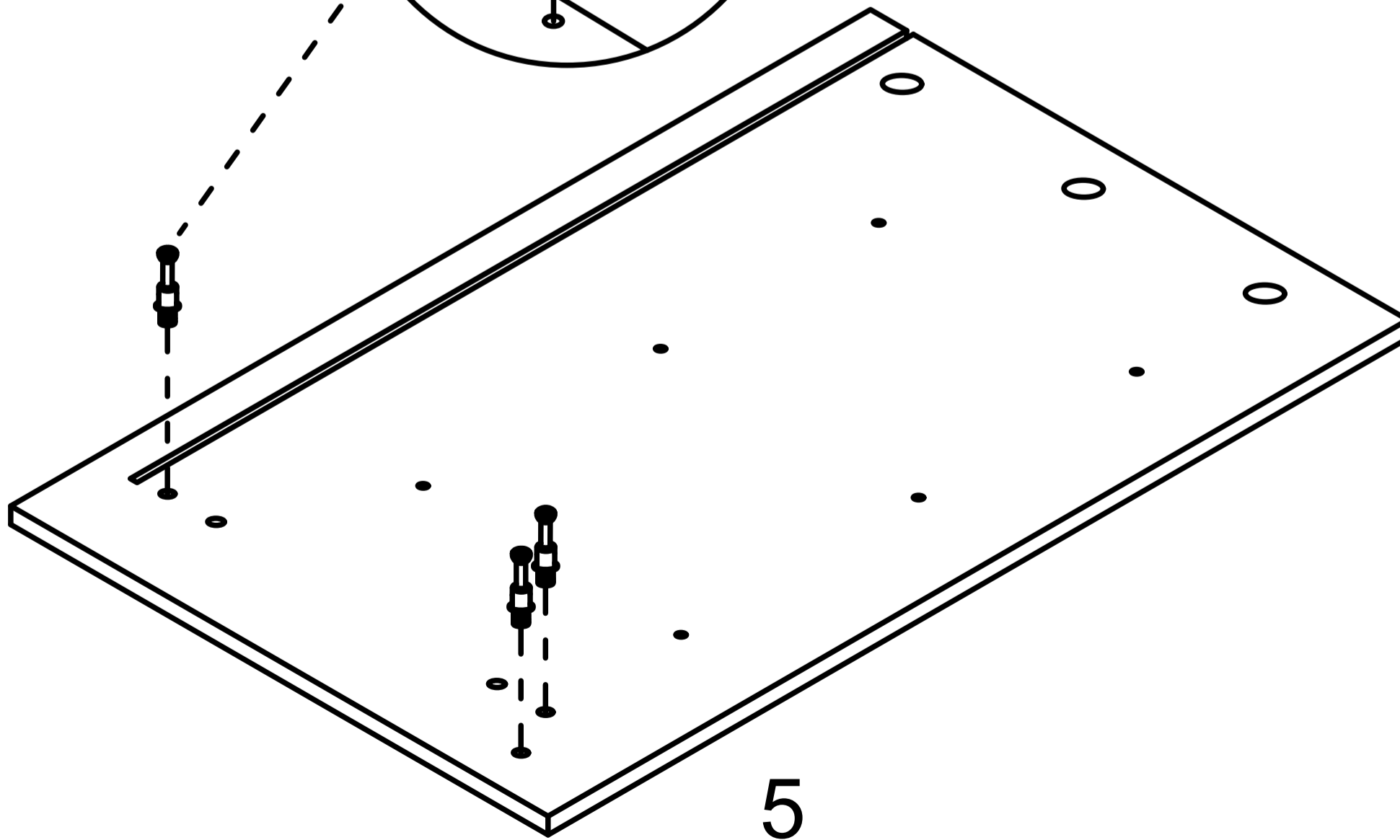
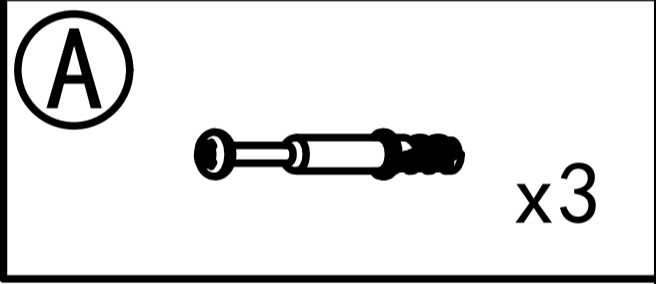
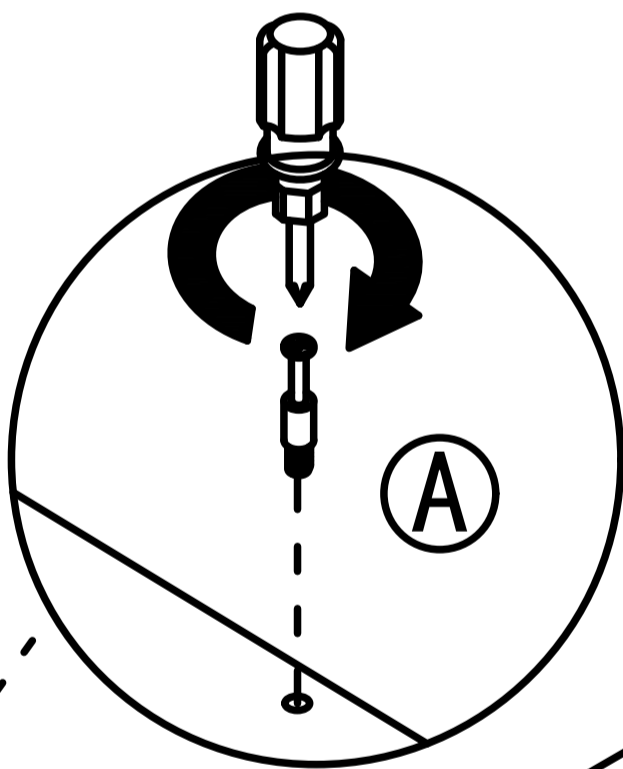
(B)  x3



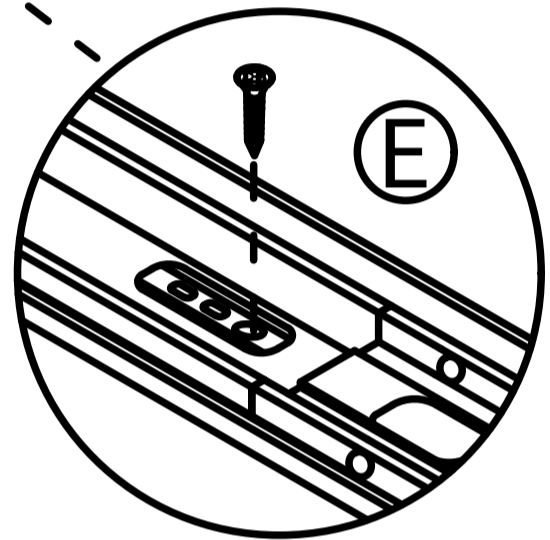
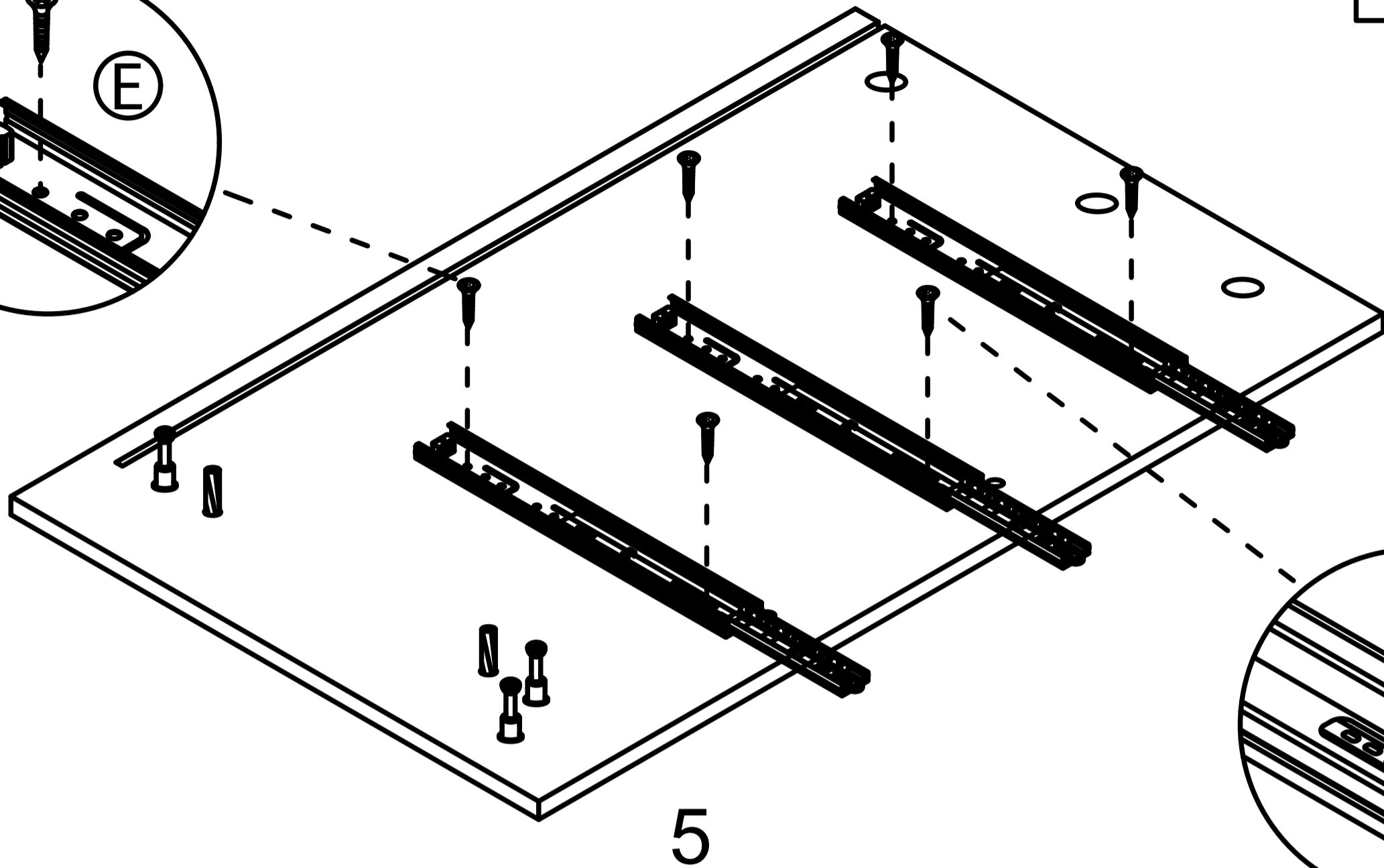
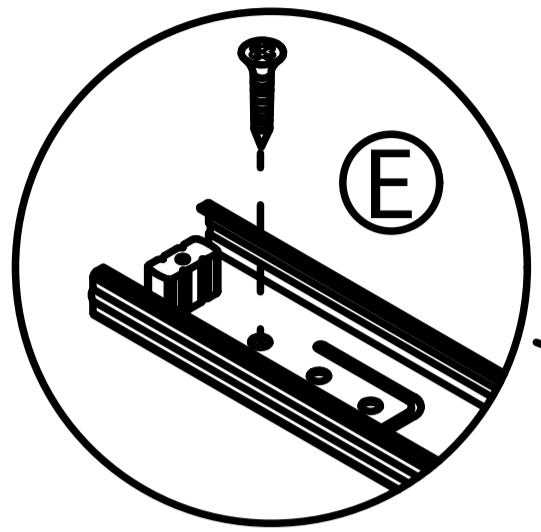
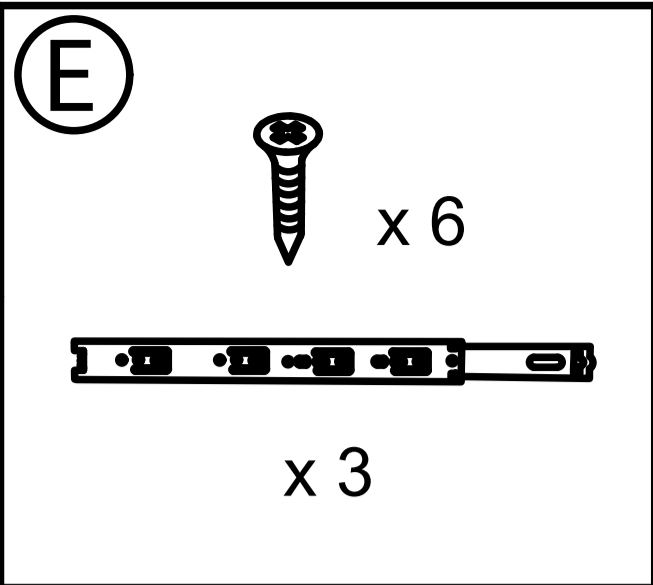
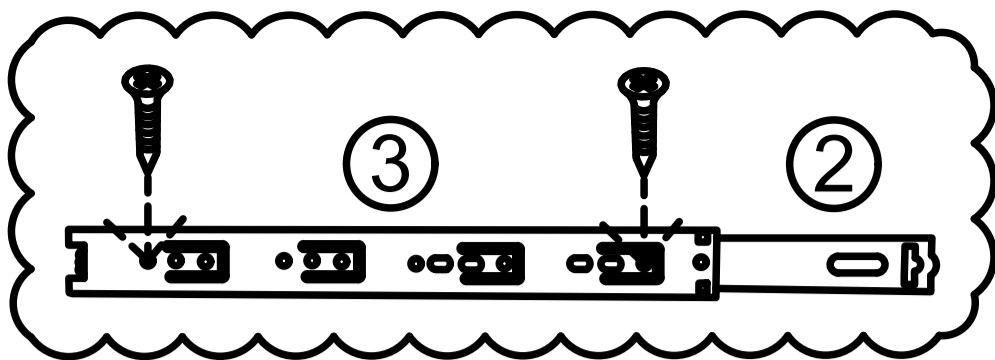
Step 40



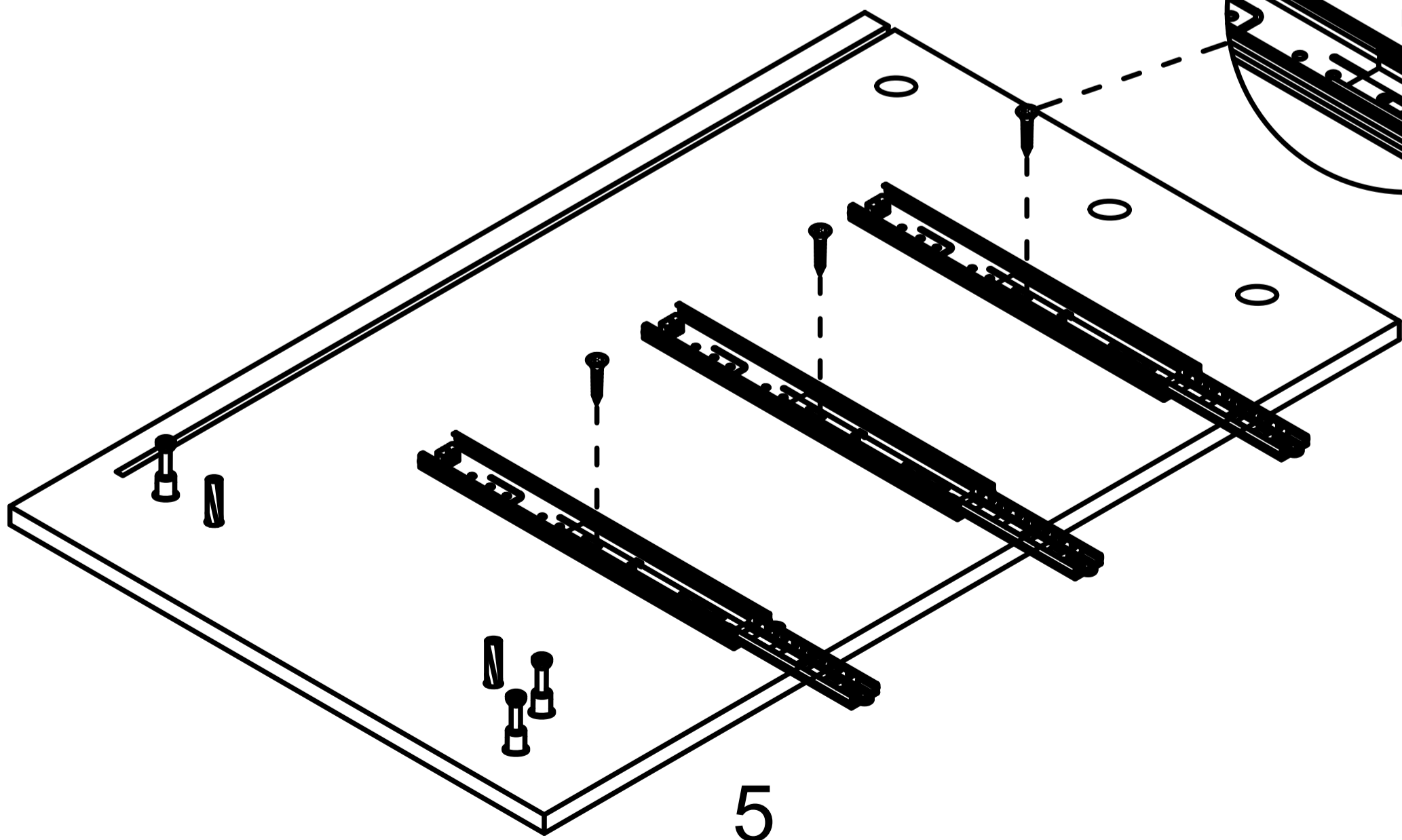
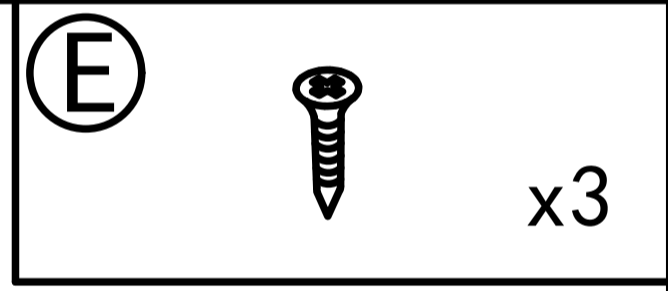
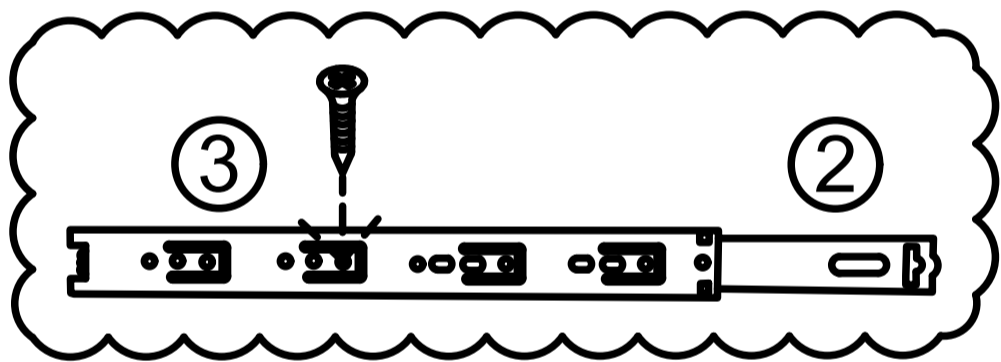
Step 41



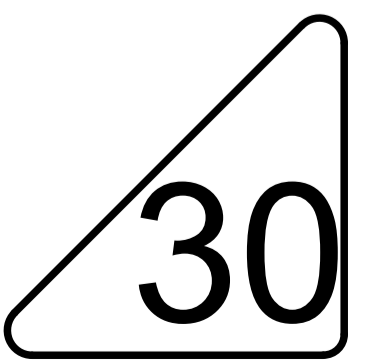
Step 42



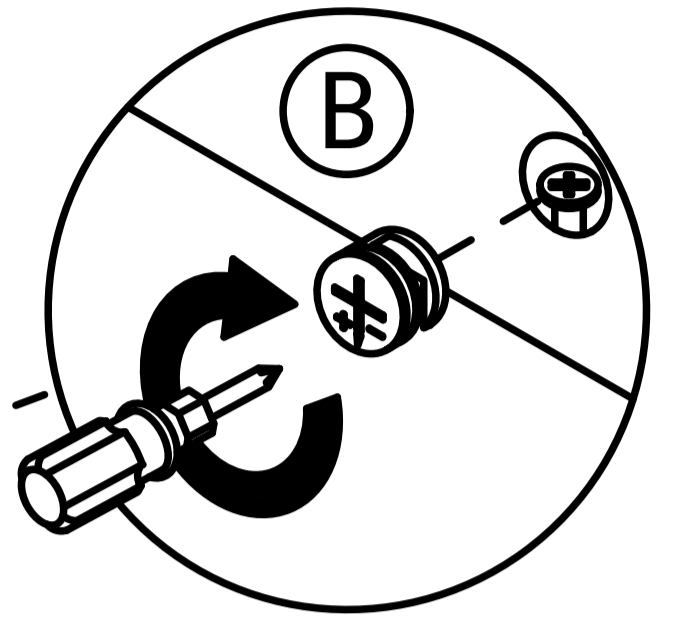
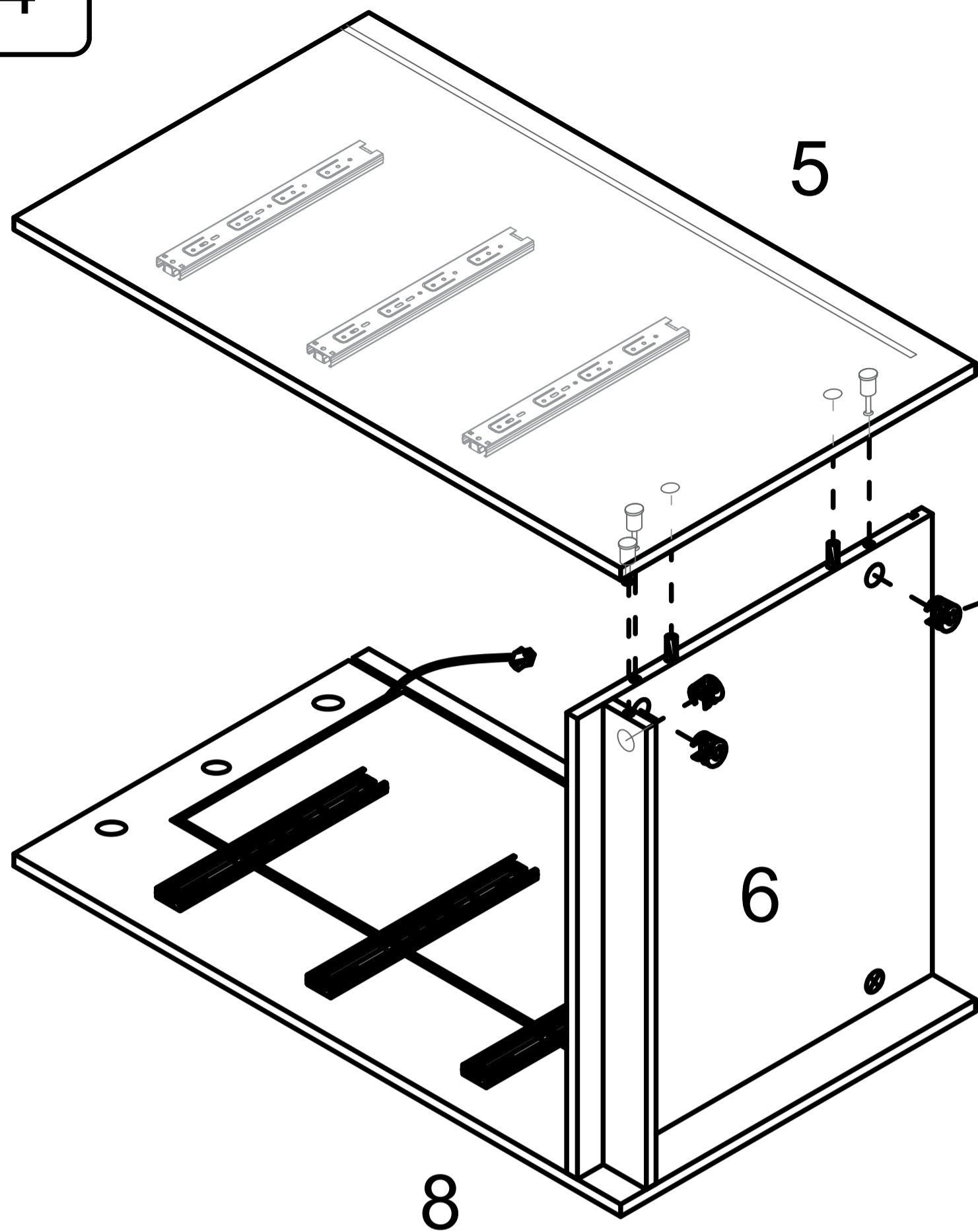
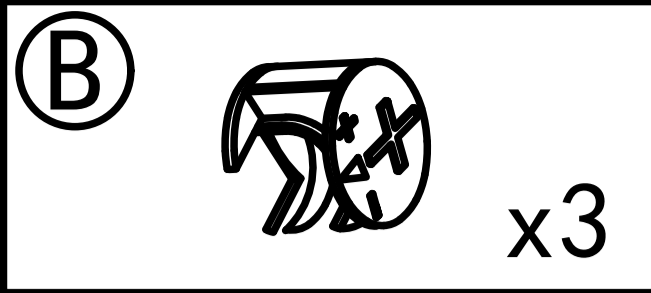
Step 43



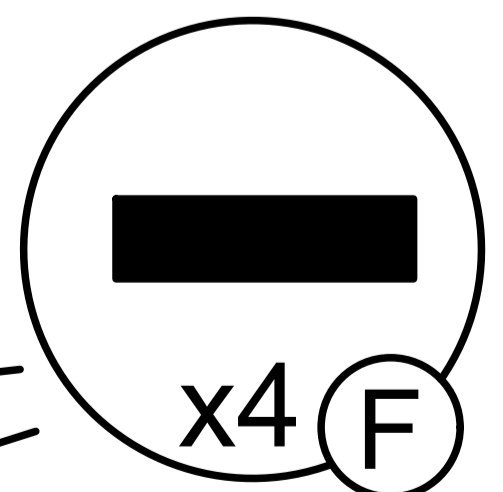
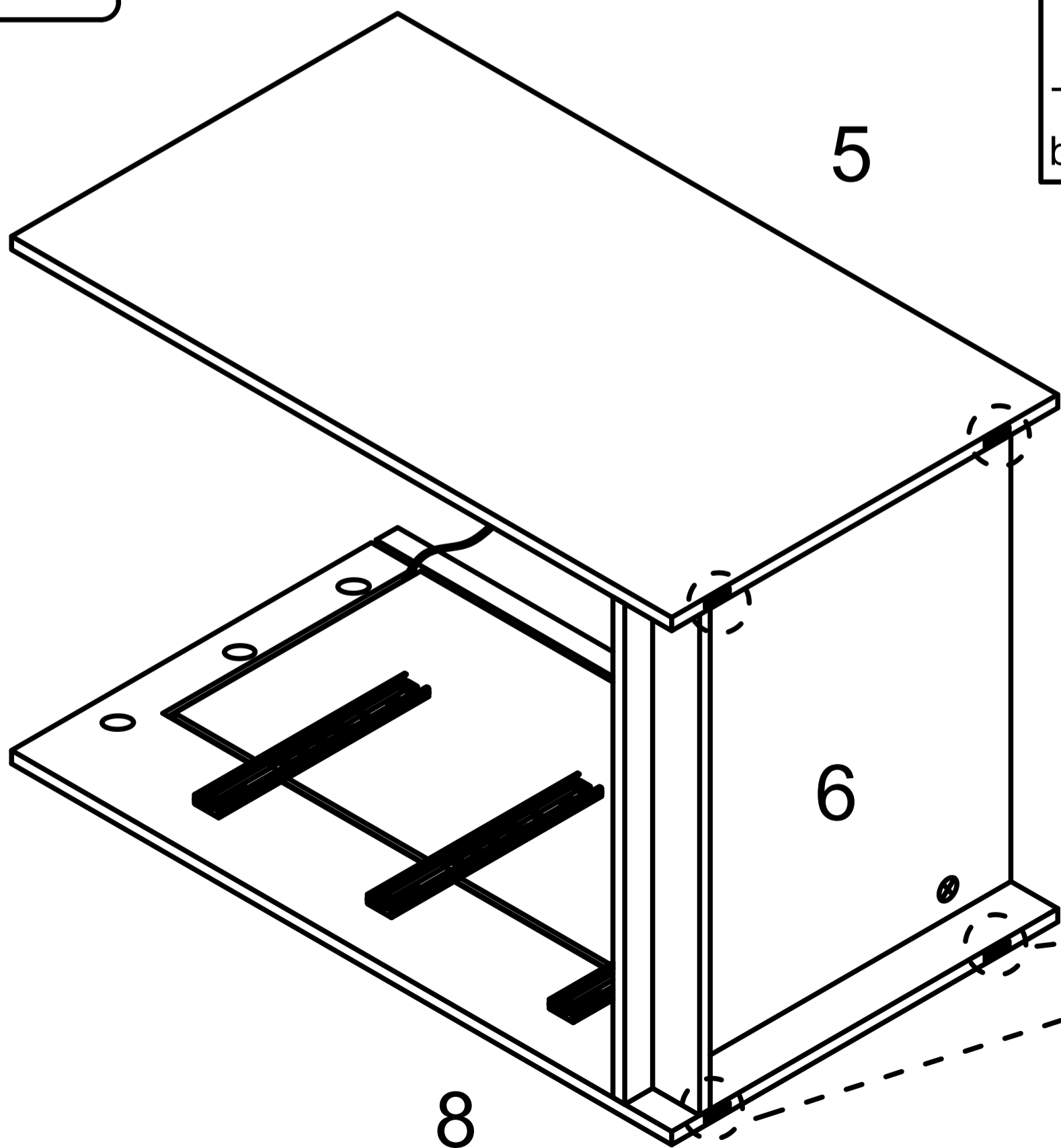
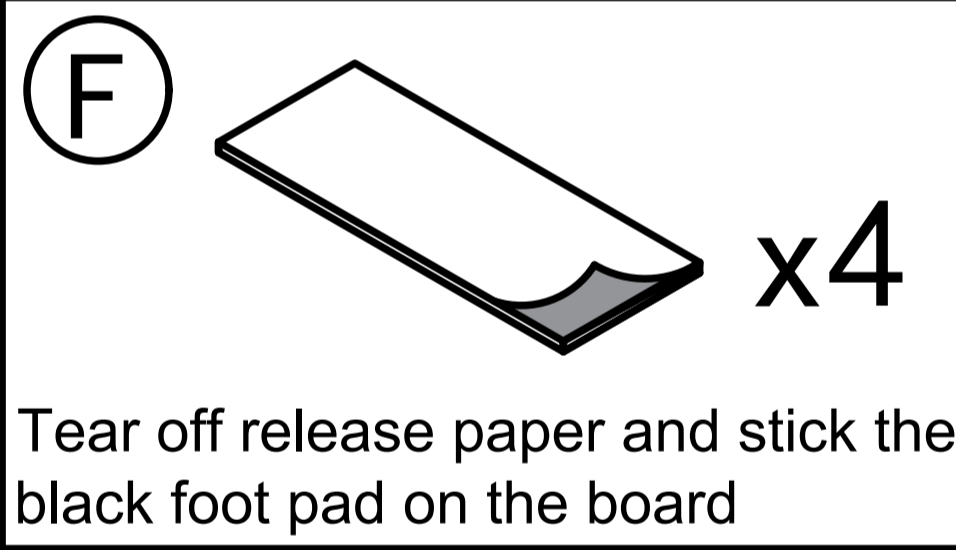
This hole is a rail fixing hole and can be installed as needed



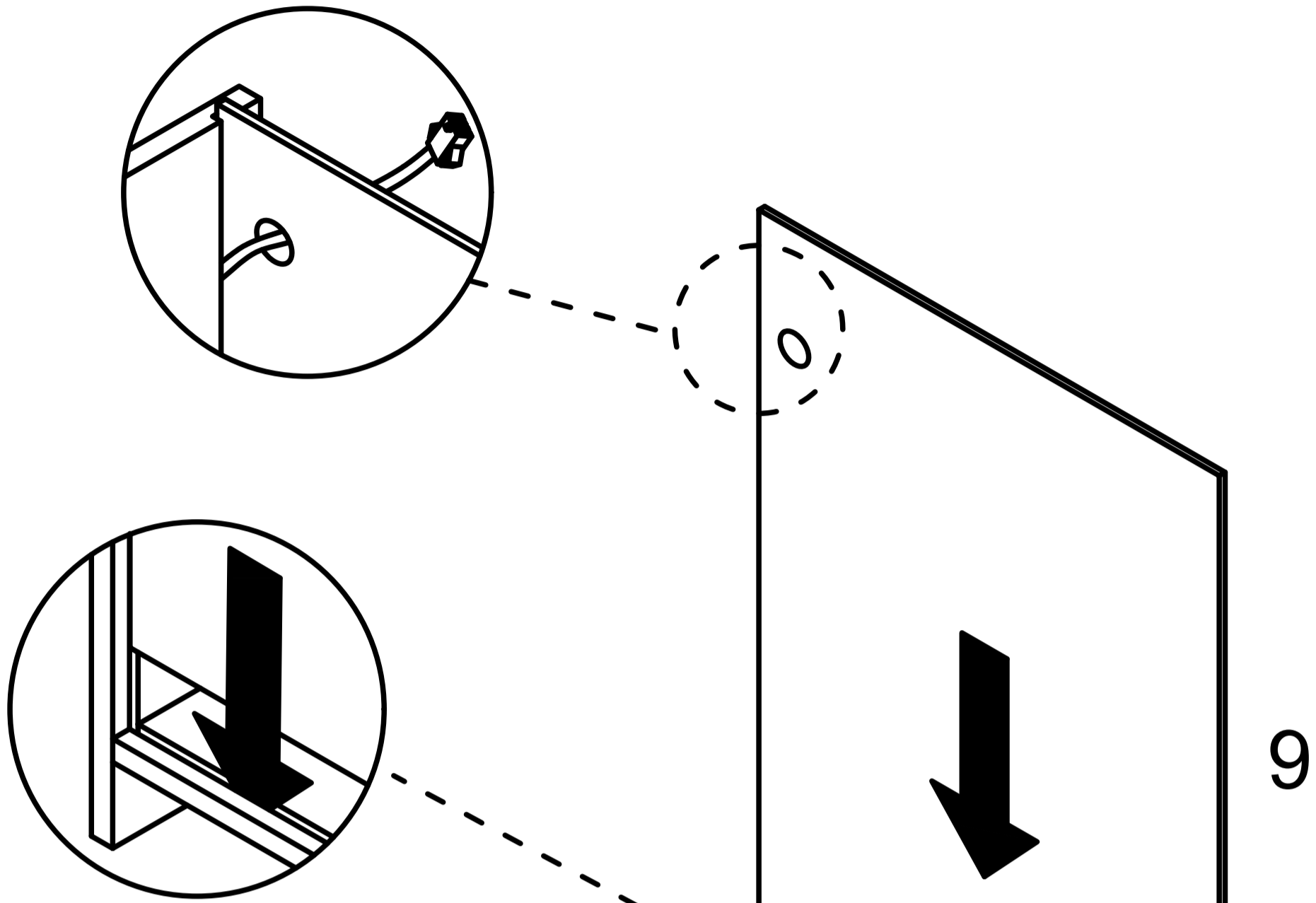
Step 44



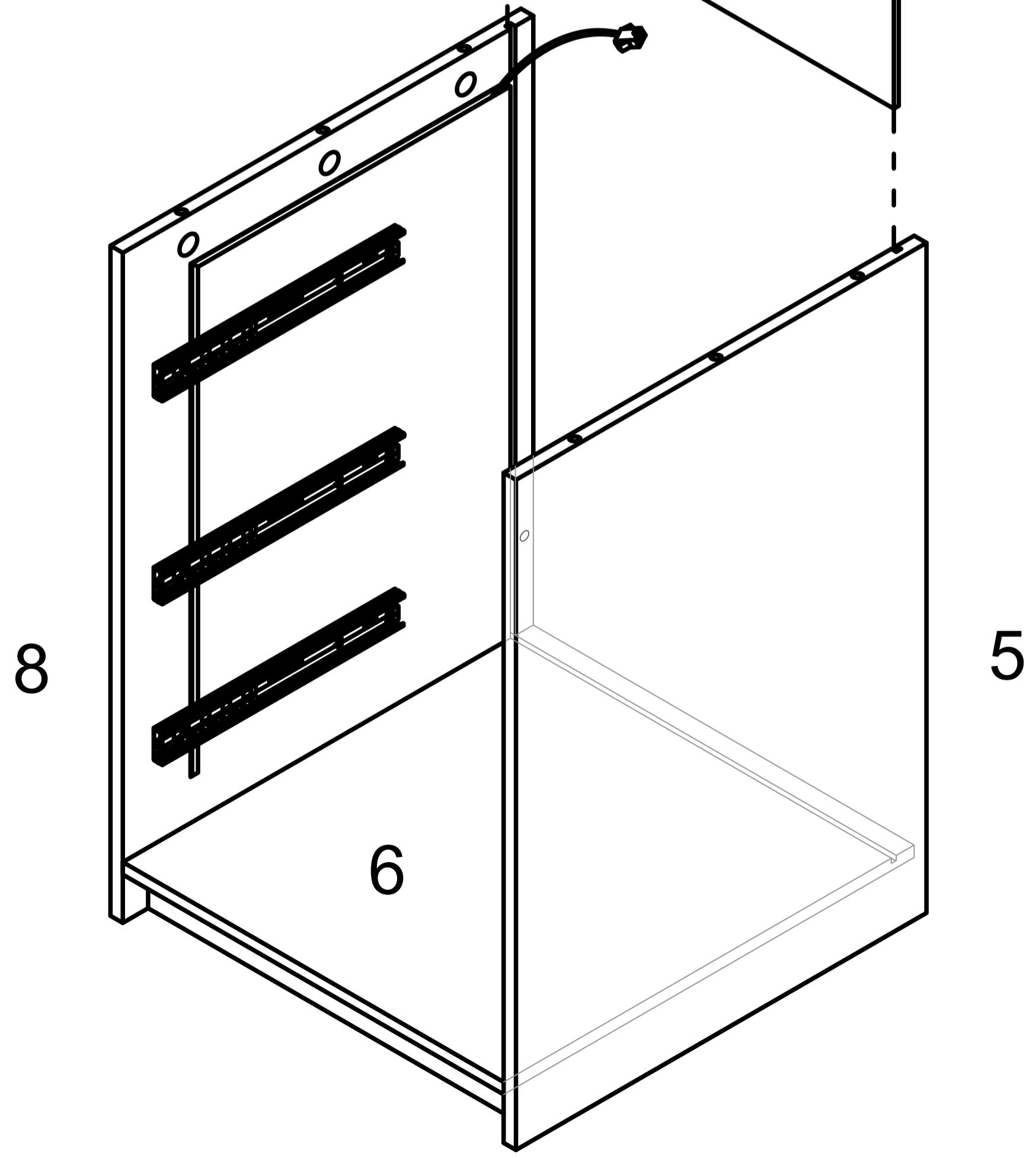
Step 45



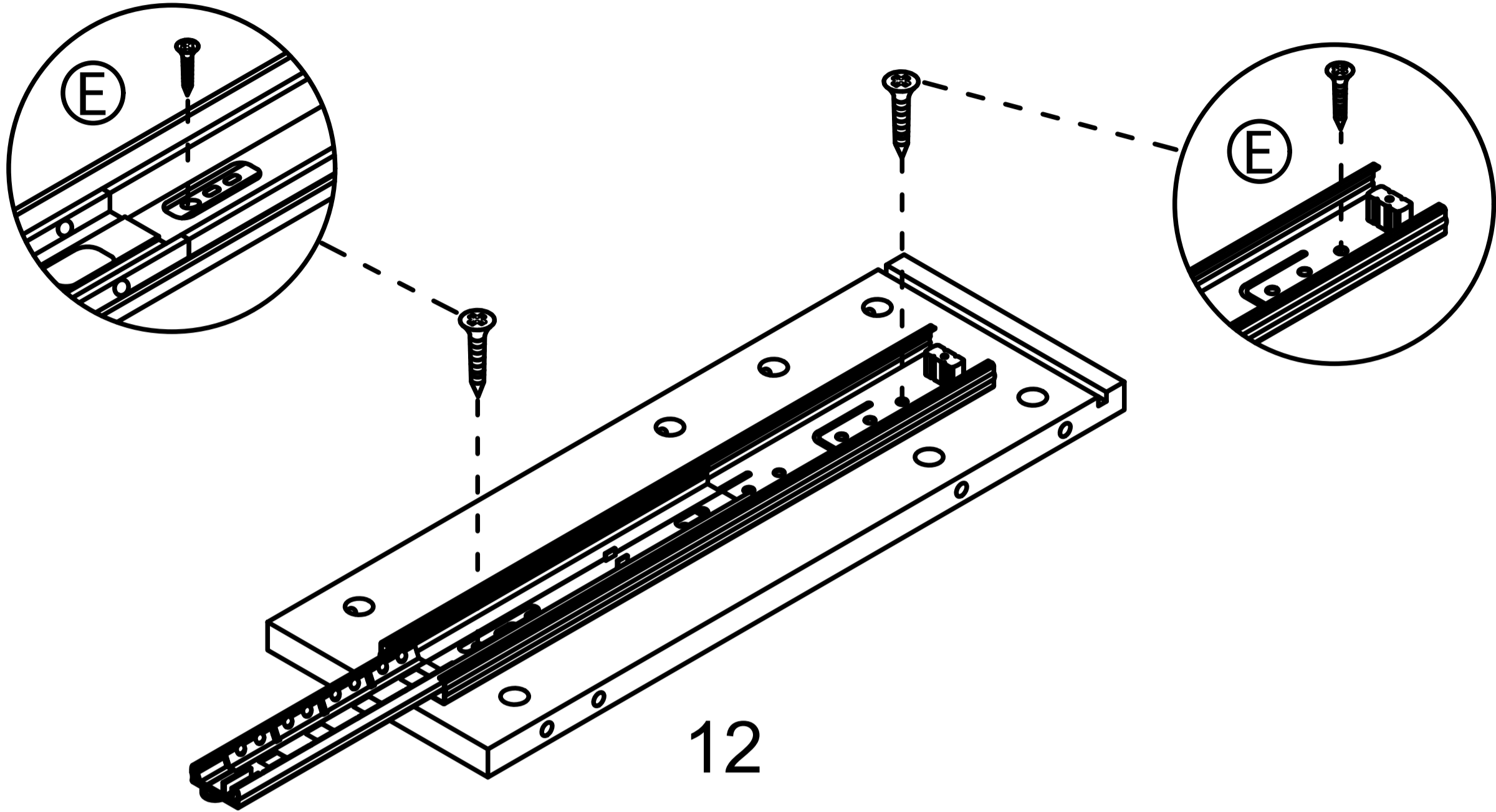
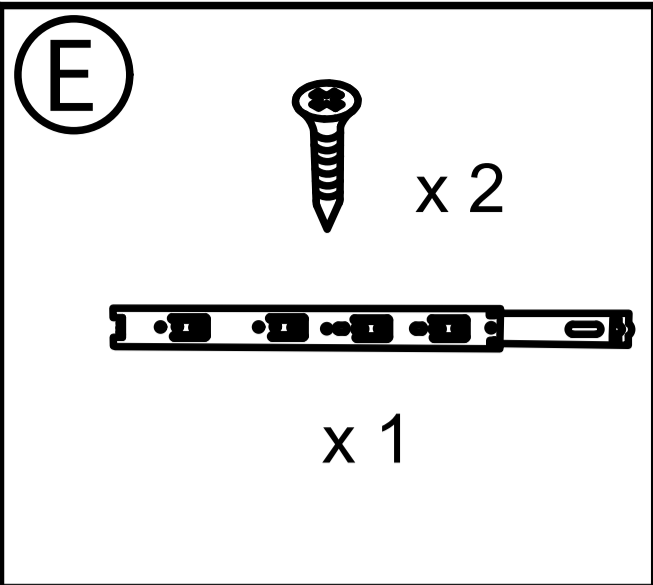
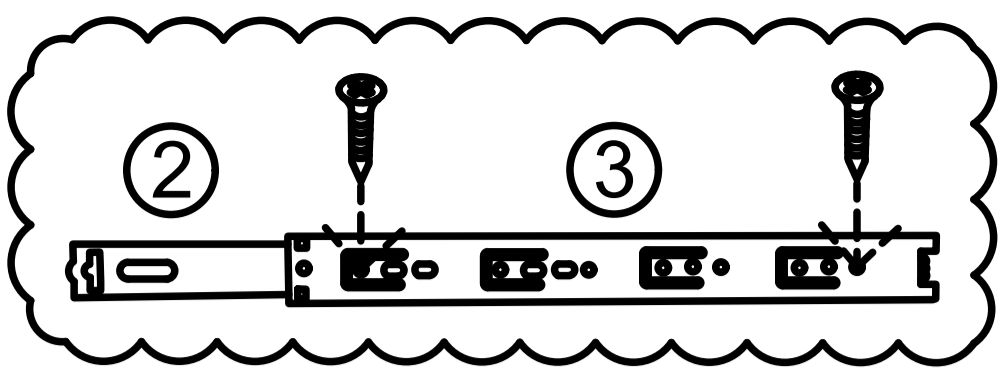
Step 46



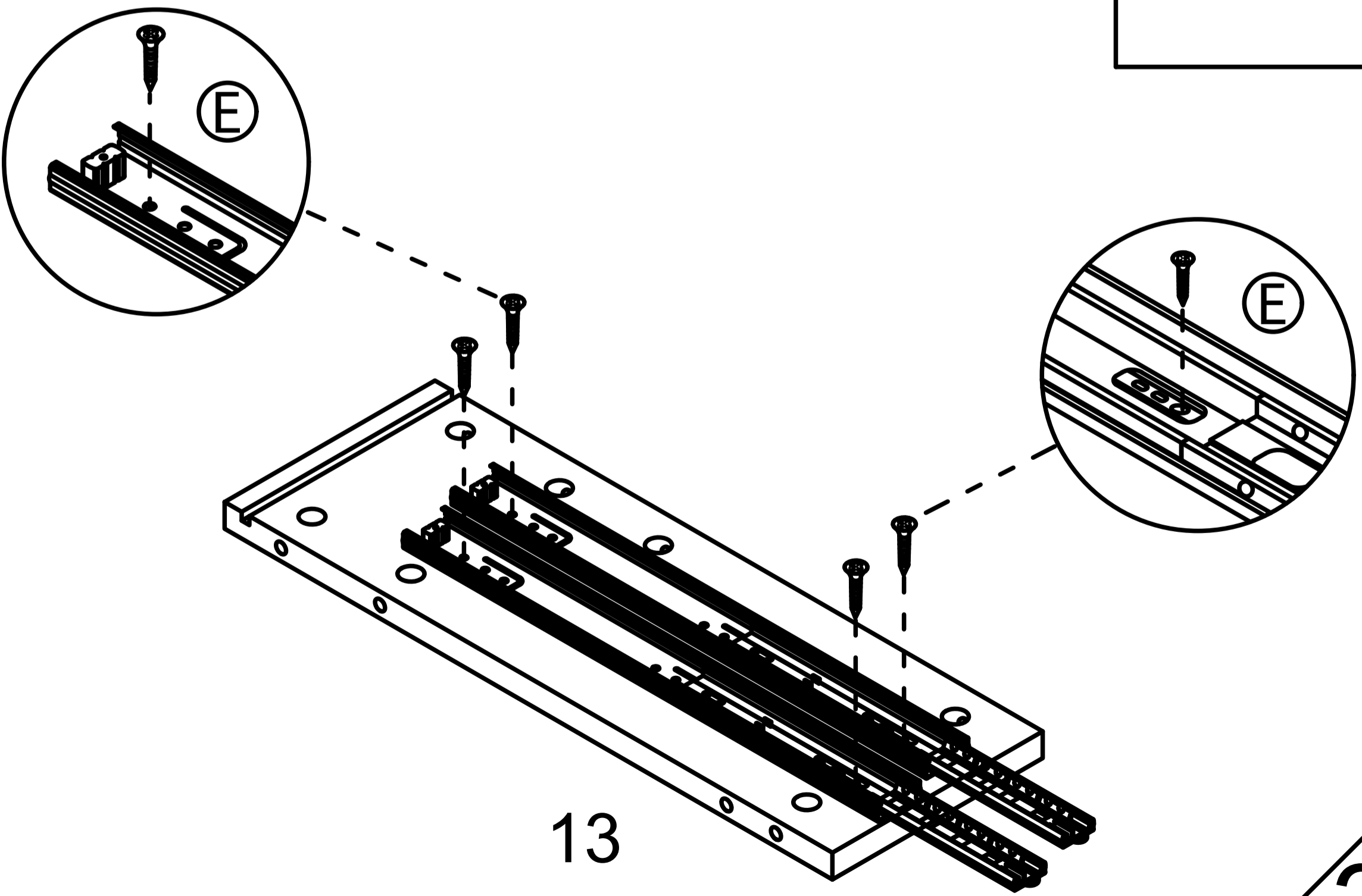
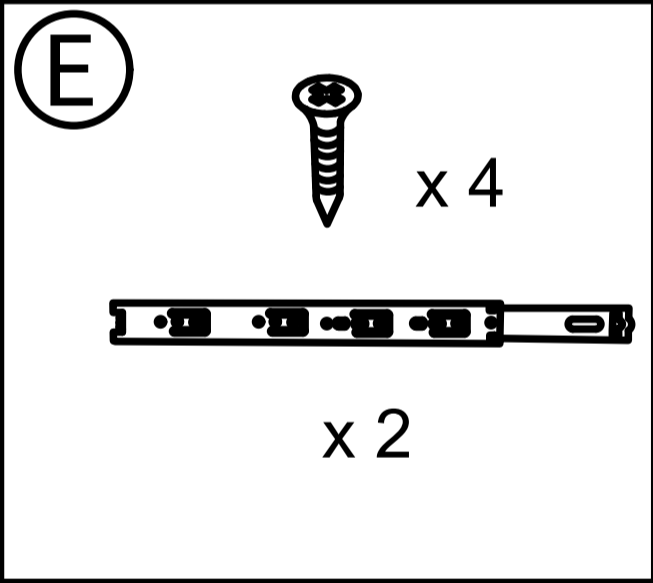
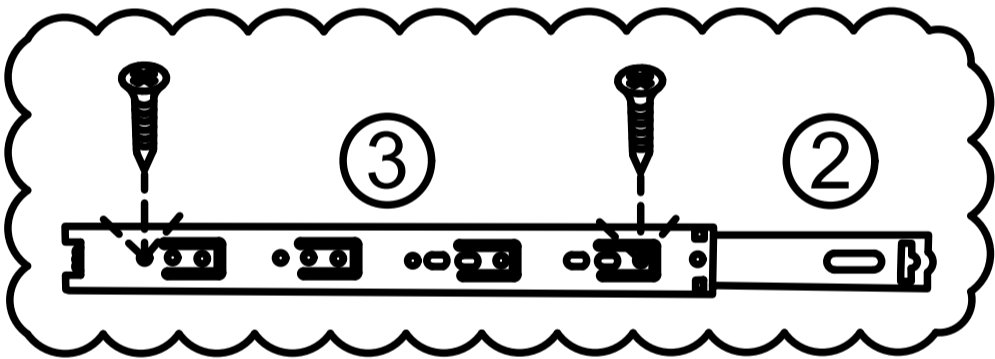
Insert the board into the slot



Step 47



Step 48

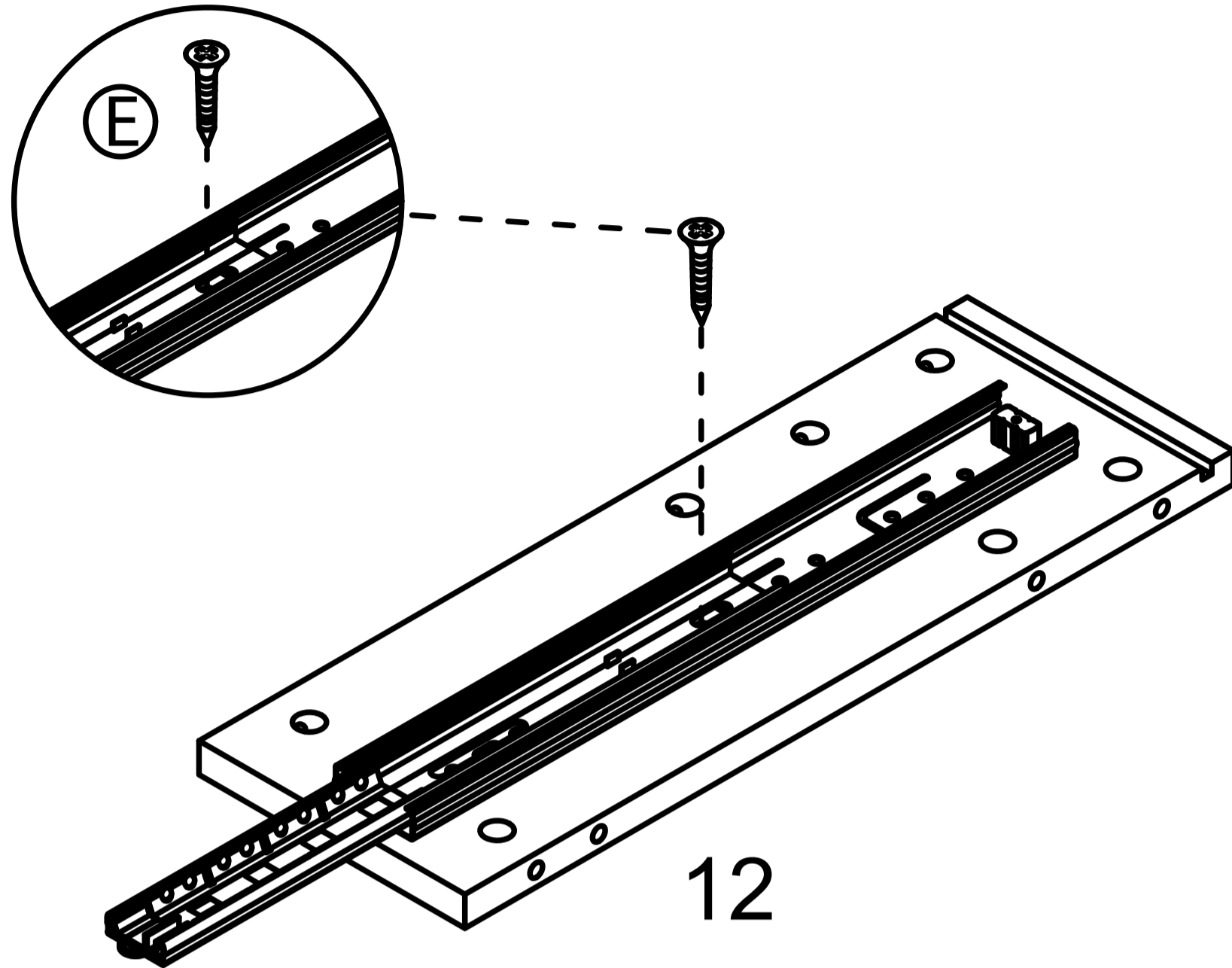
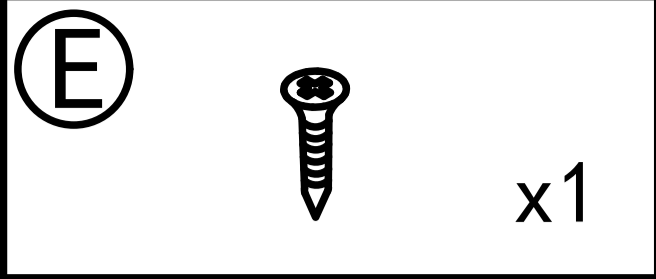
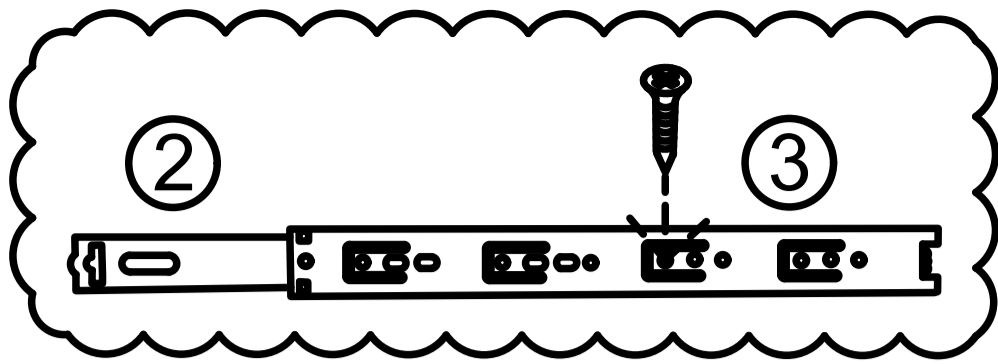


13

33

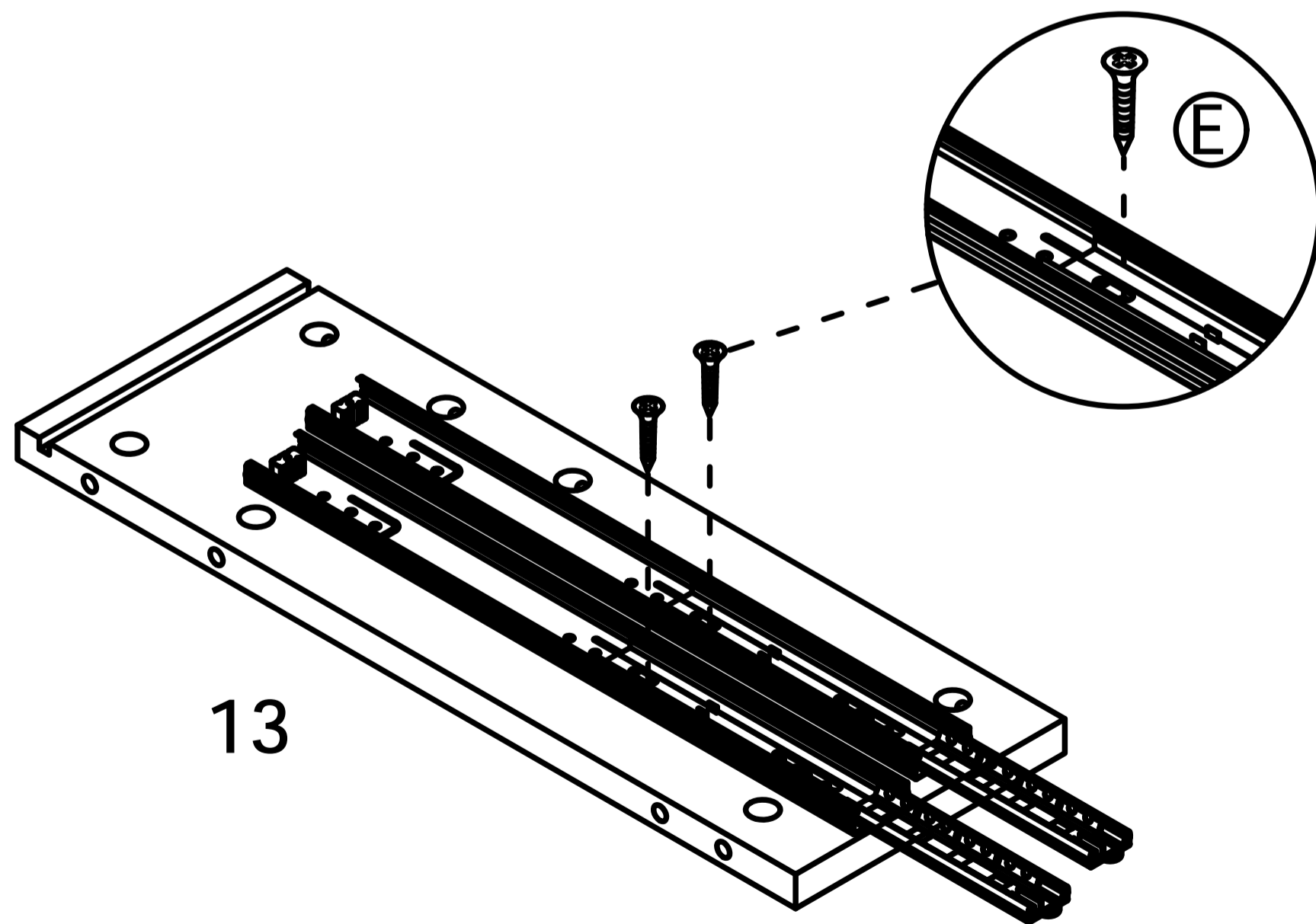
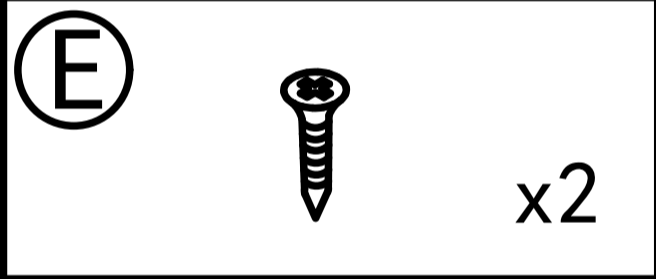
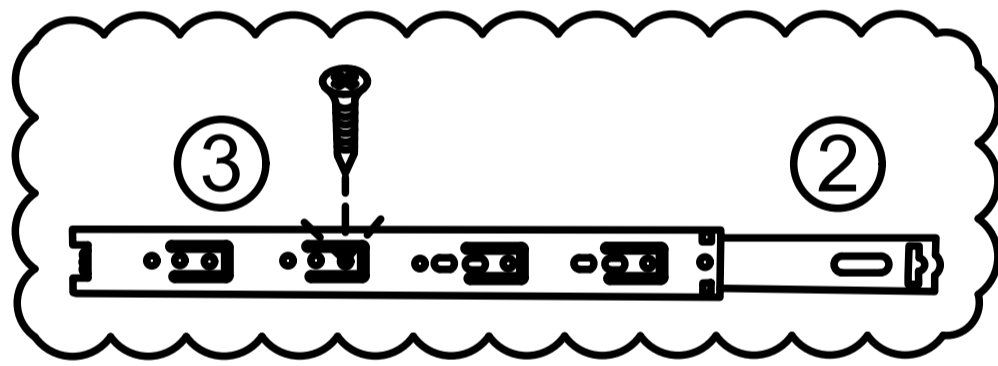
SY

Step 49



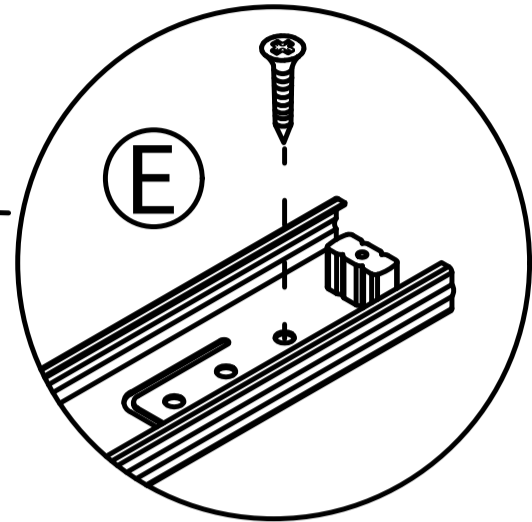
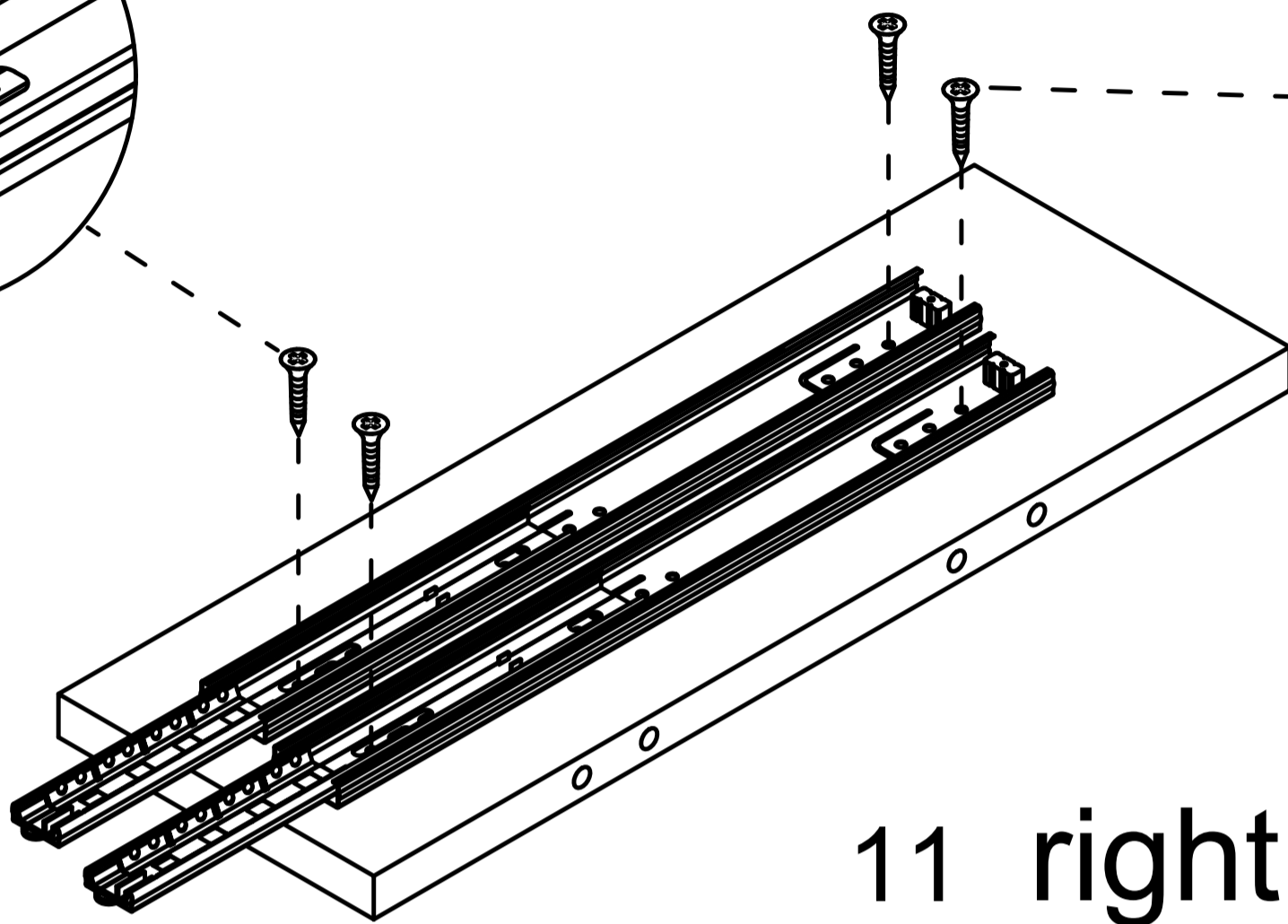
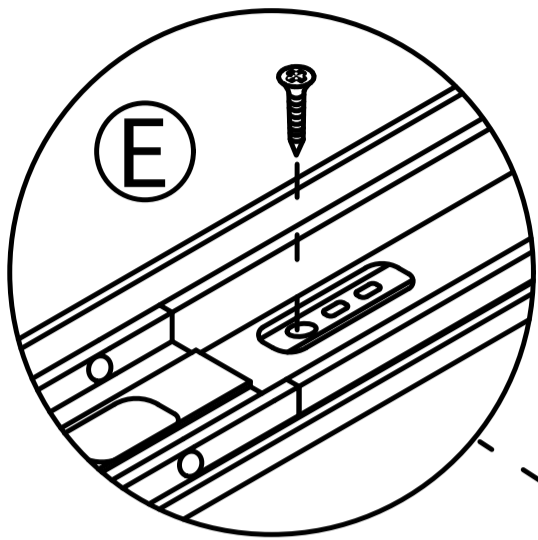
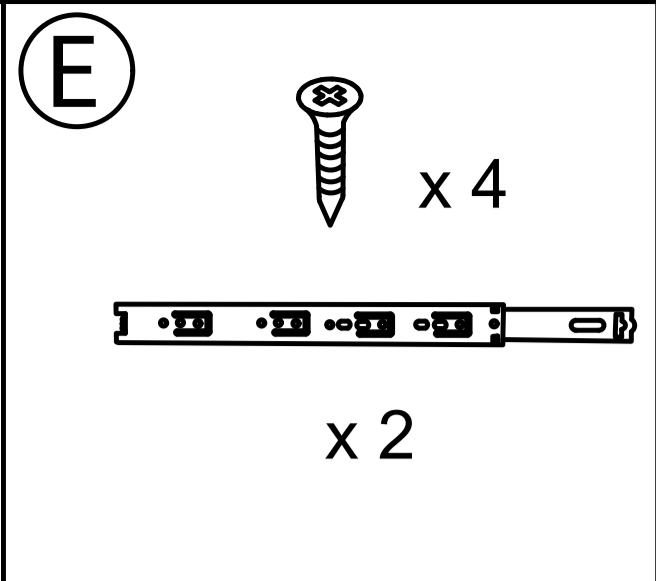
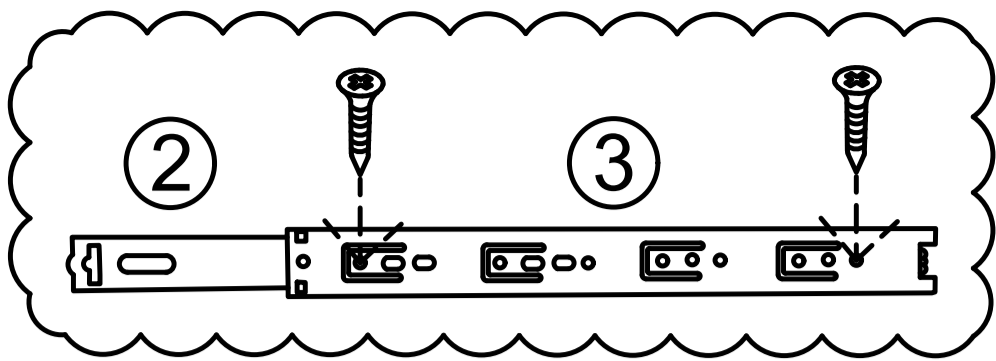
This hole is a rail fixing hole and can be installed as needed

Step 50



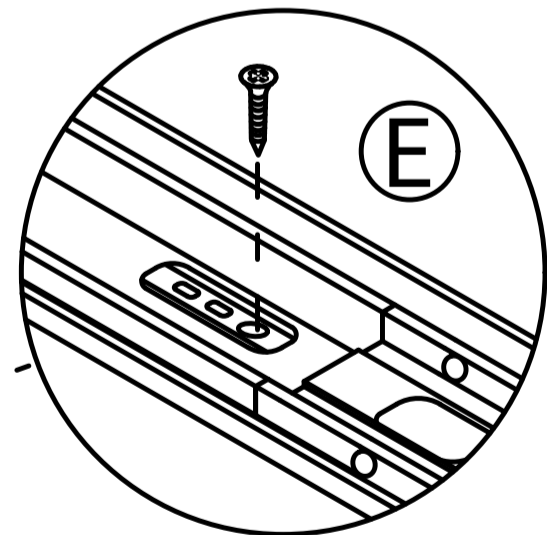
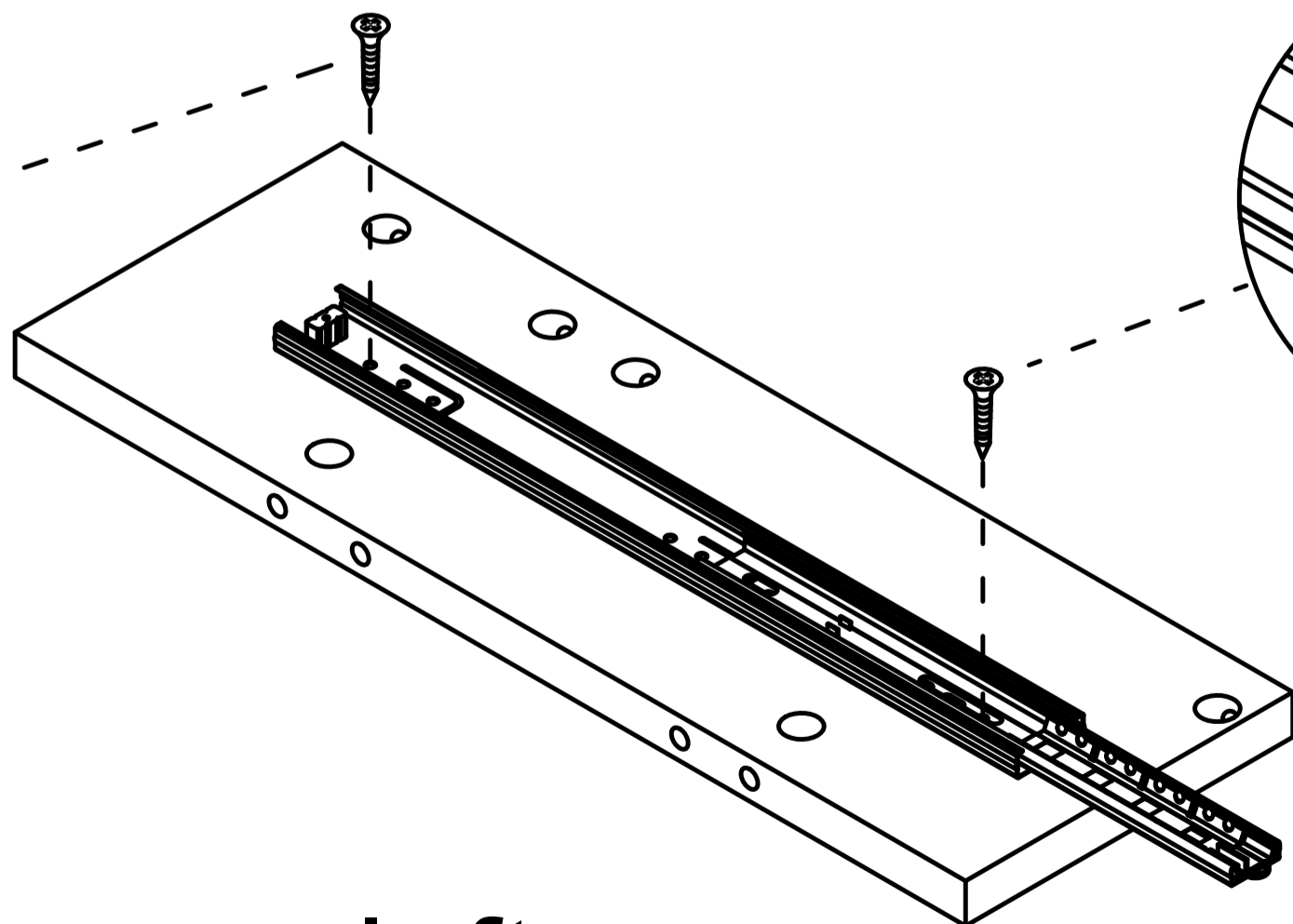
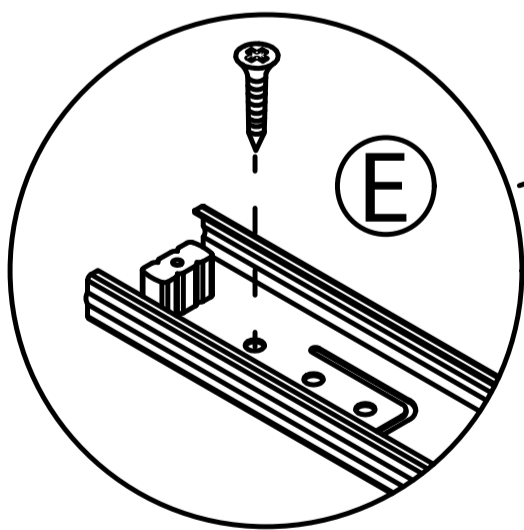
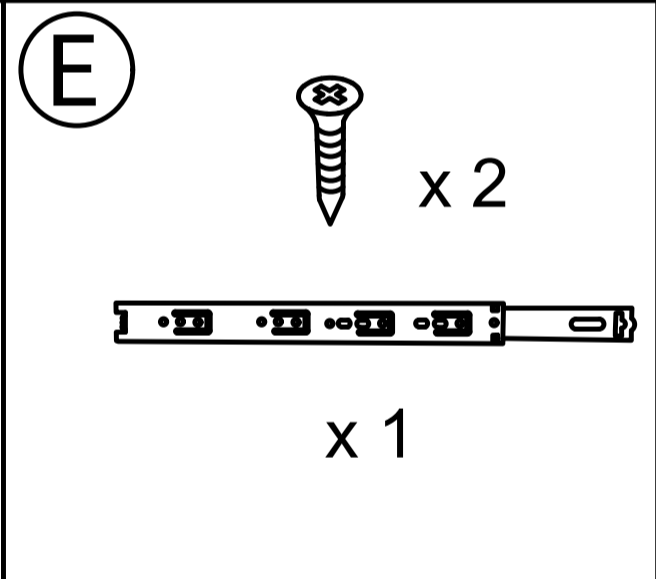
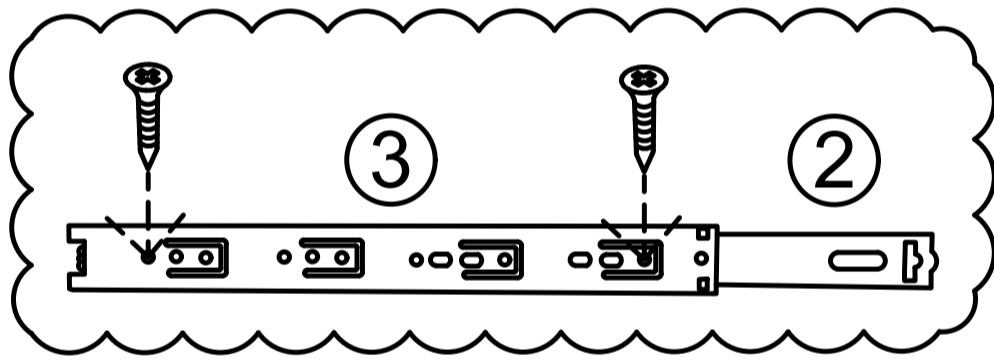
This hole is a rail fixing hole and can be installed as needed

Step 51



11 right

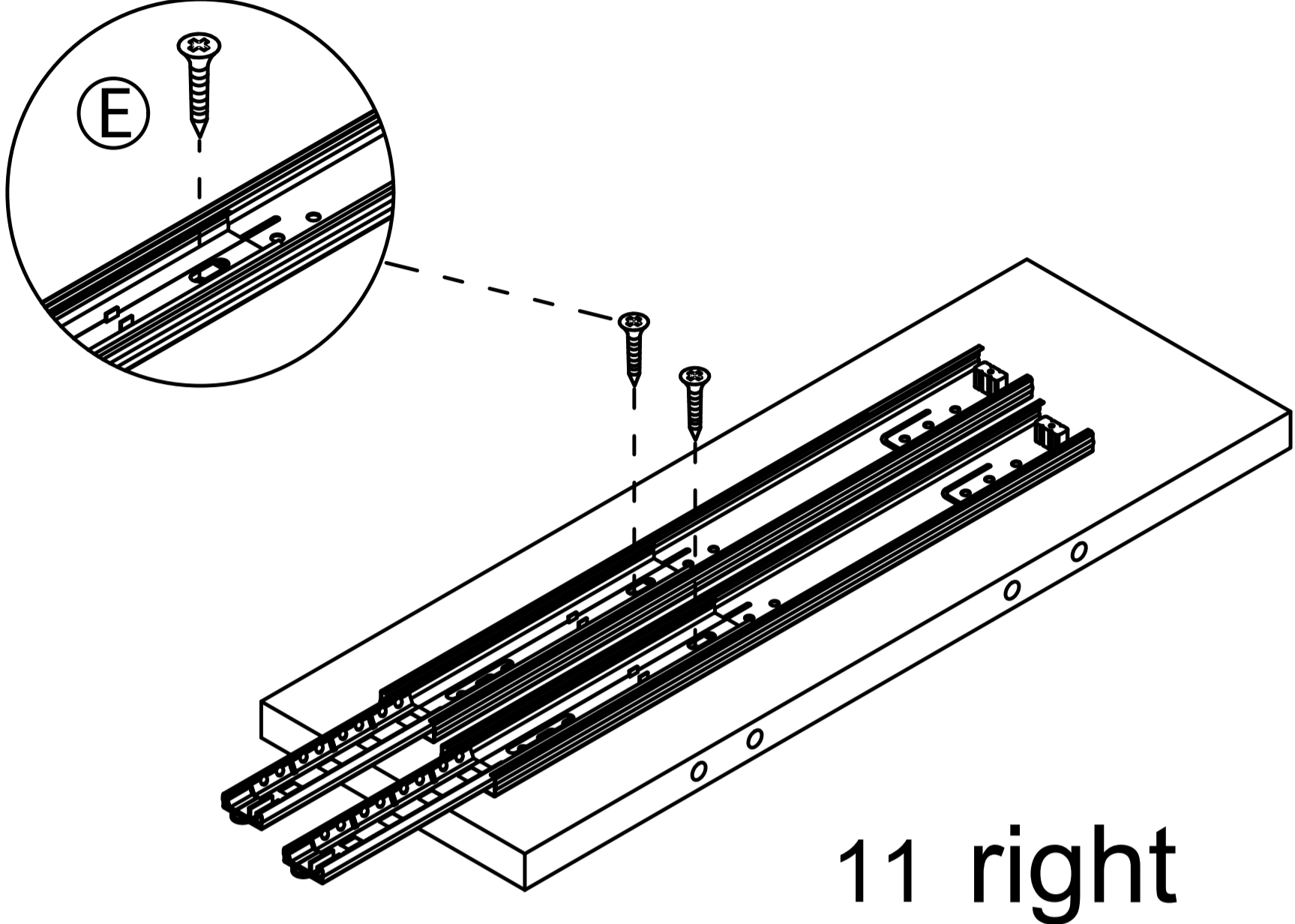
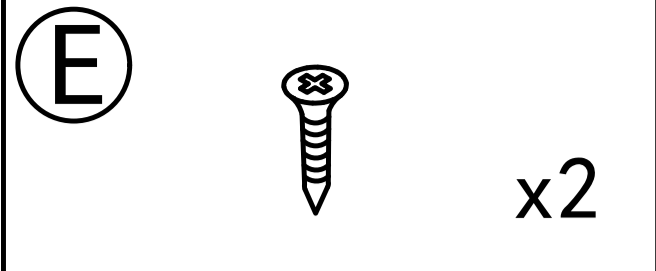
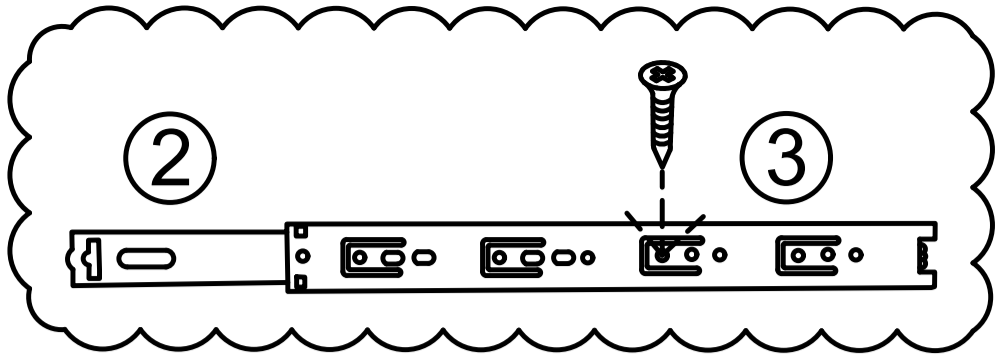
Step 52



11 left

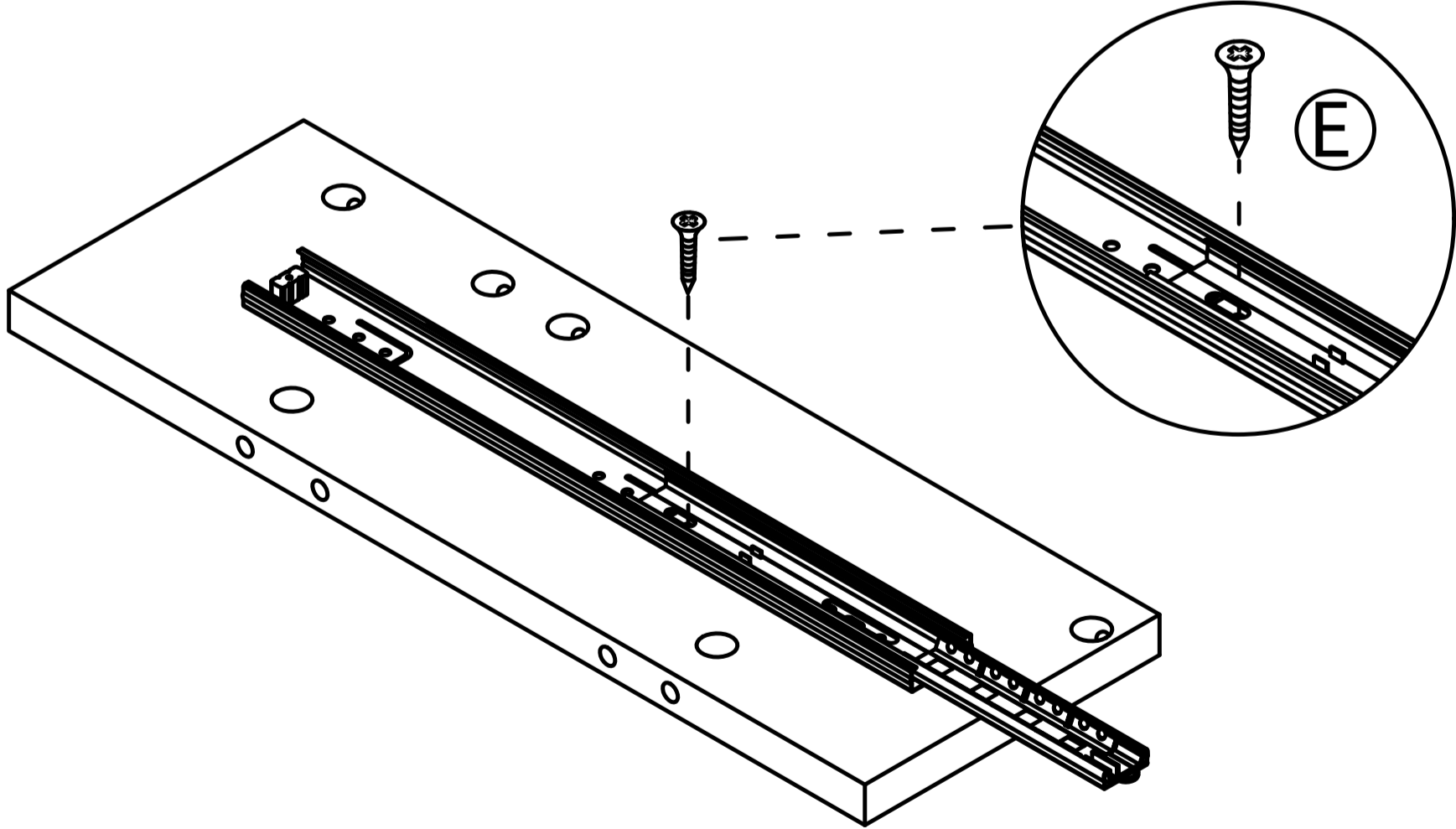
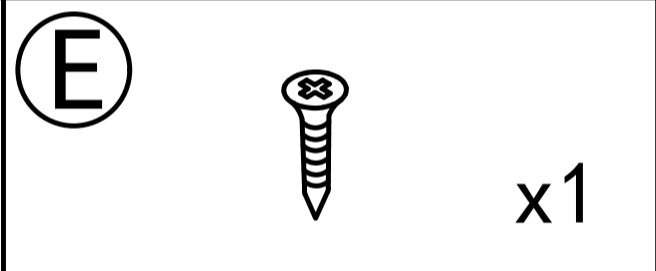
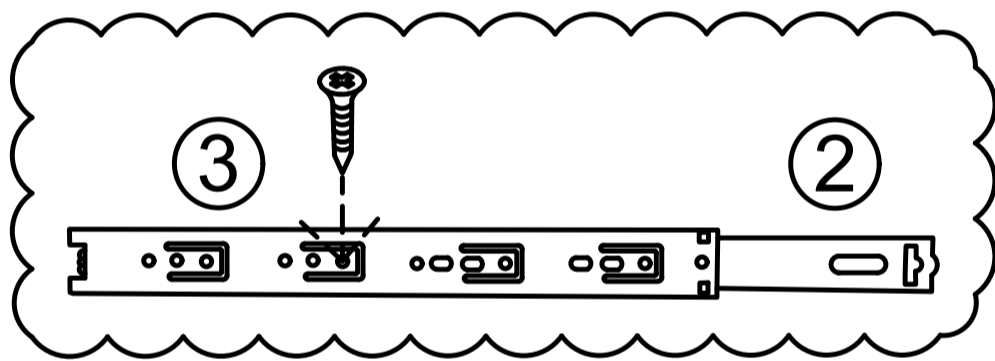
35

Step 53





This hole is a rail fixing hole and can be installed as needed

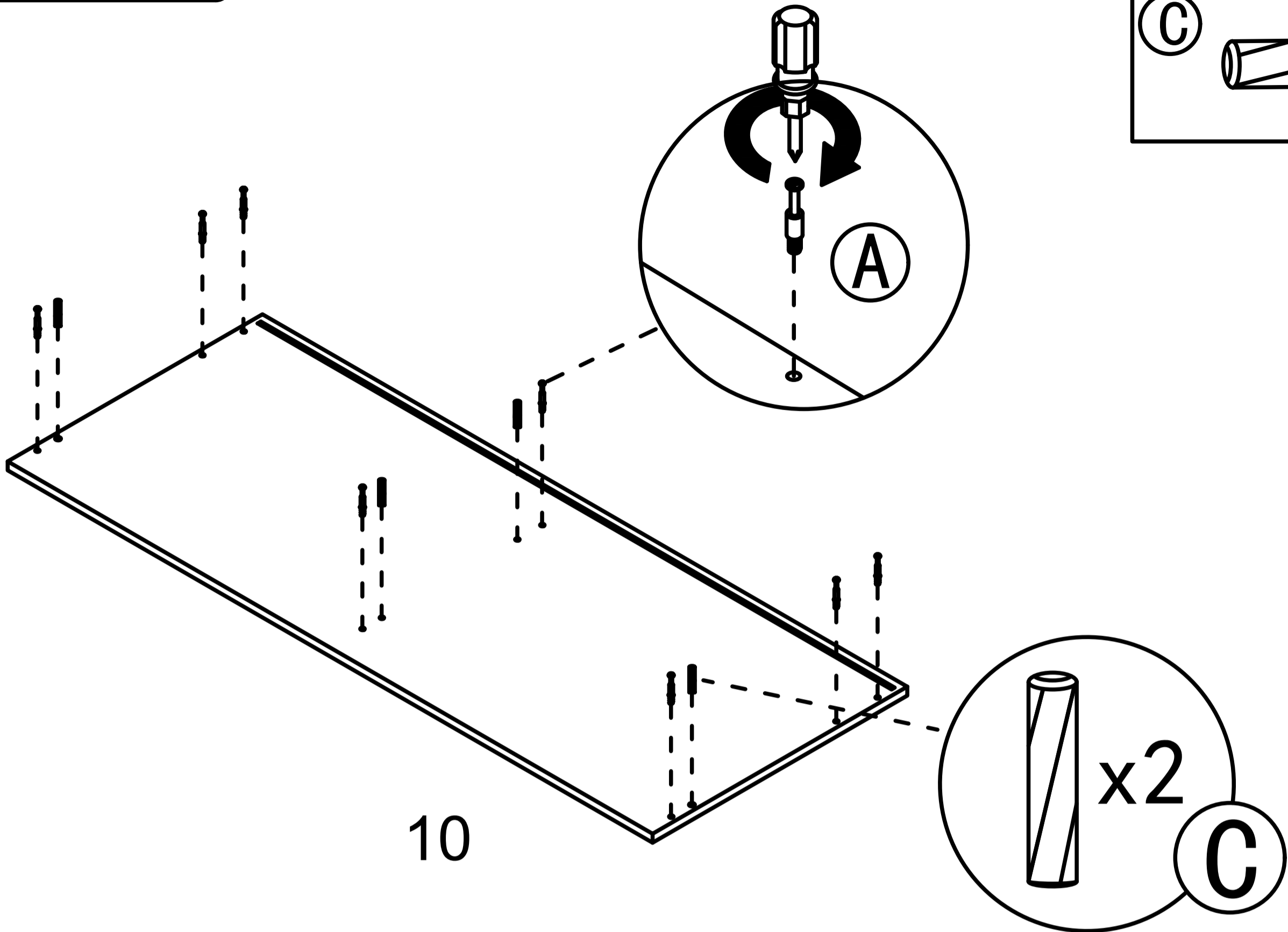
Step 54




This hole is a rail fixing hole and can be installed as needed

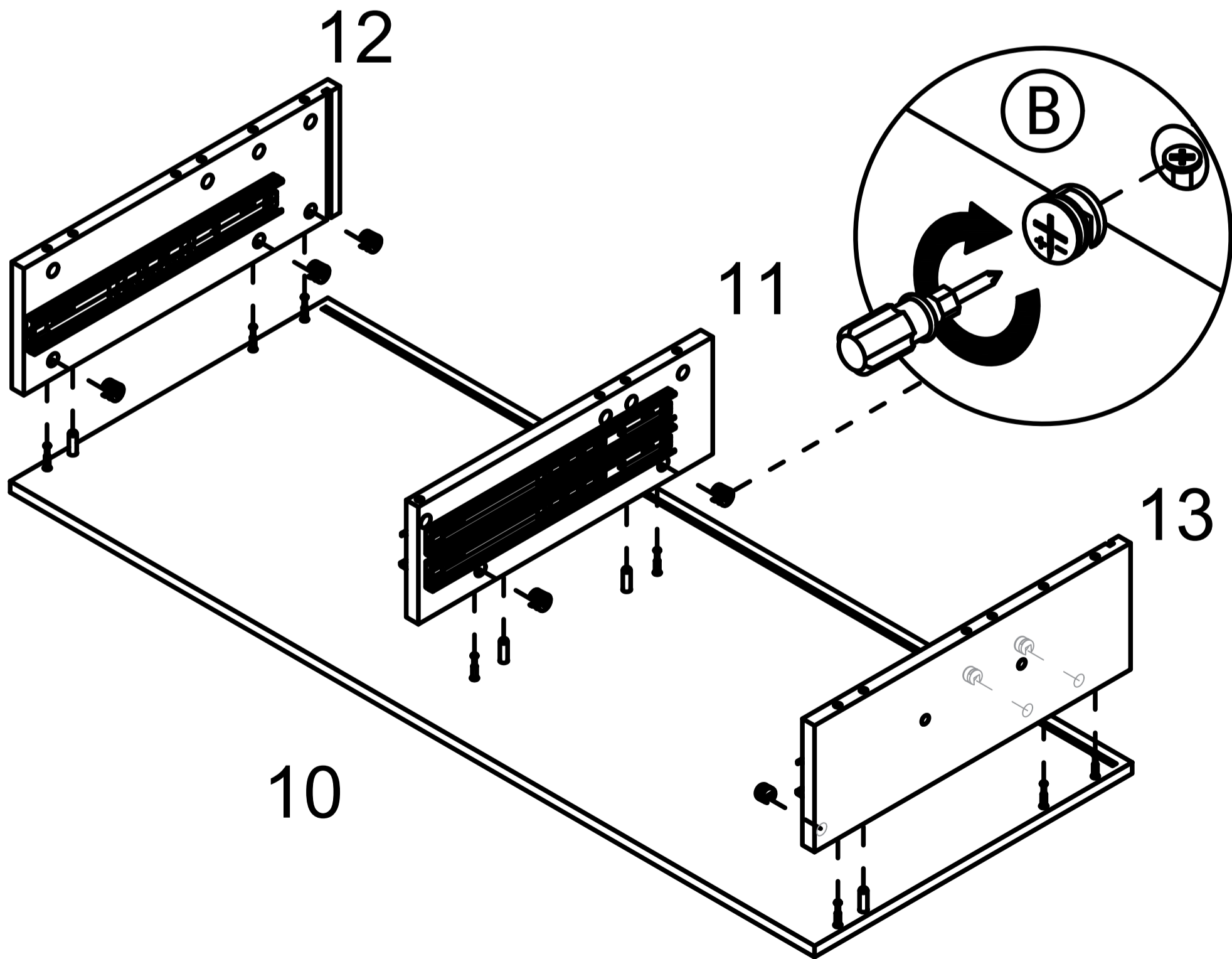
Step 55

- (A)  x8
- (C)  x4

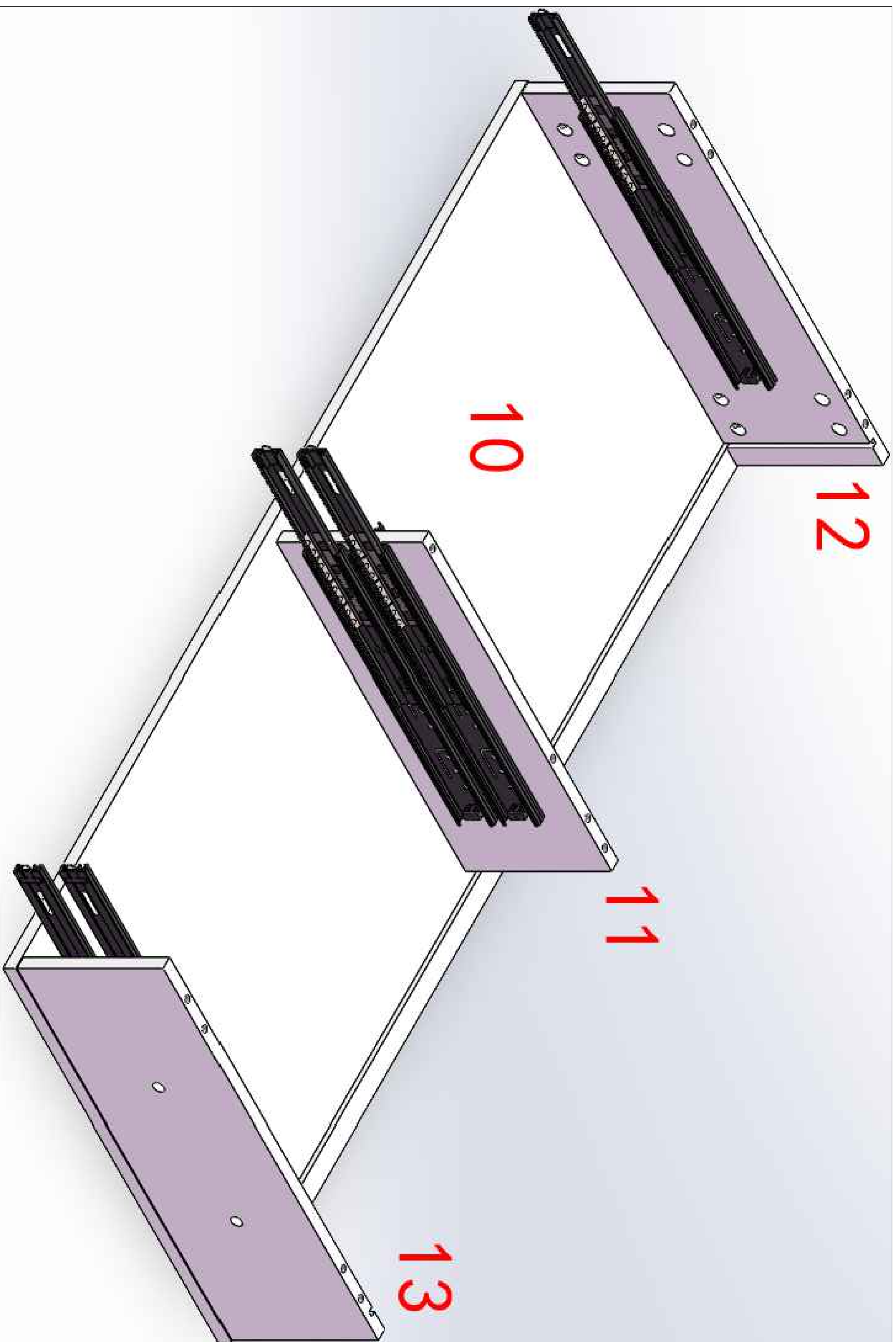


Step 56

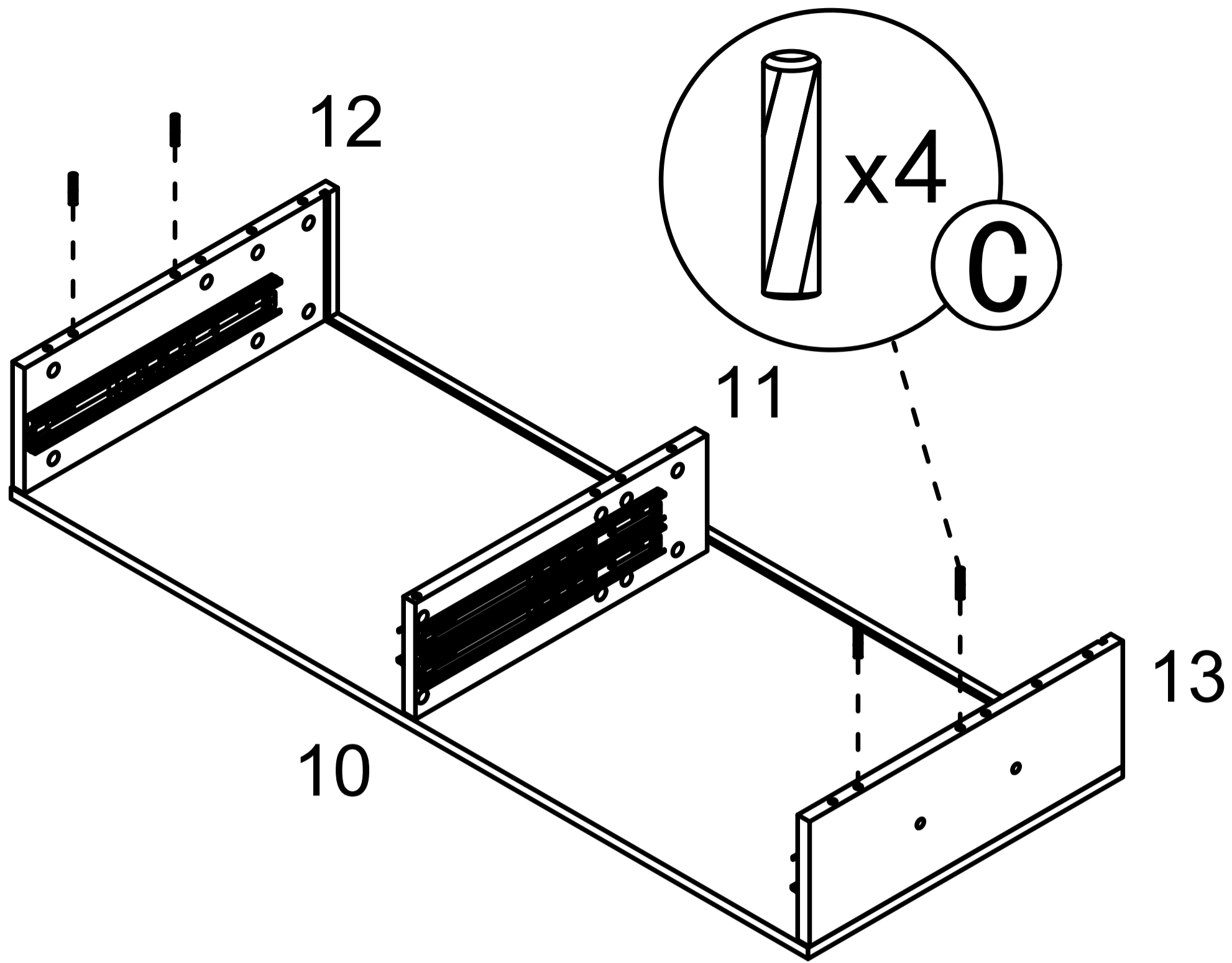
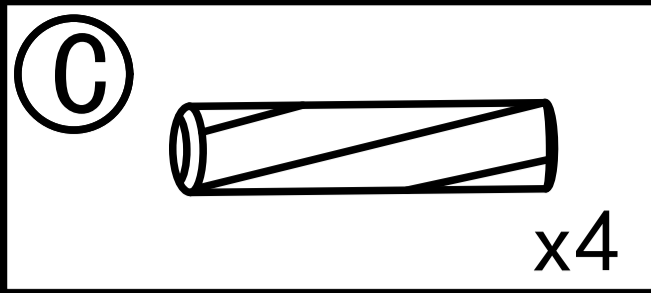
- (B)  x8



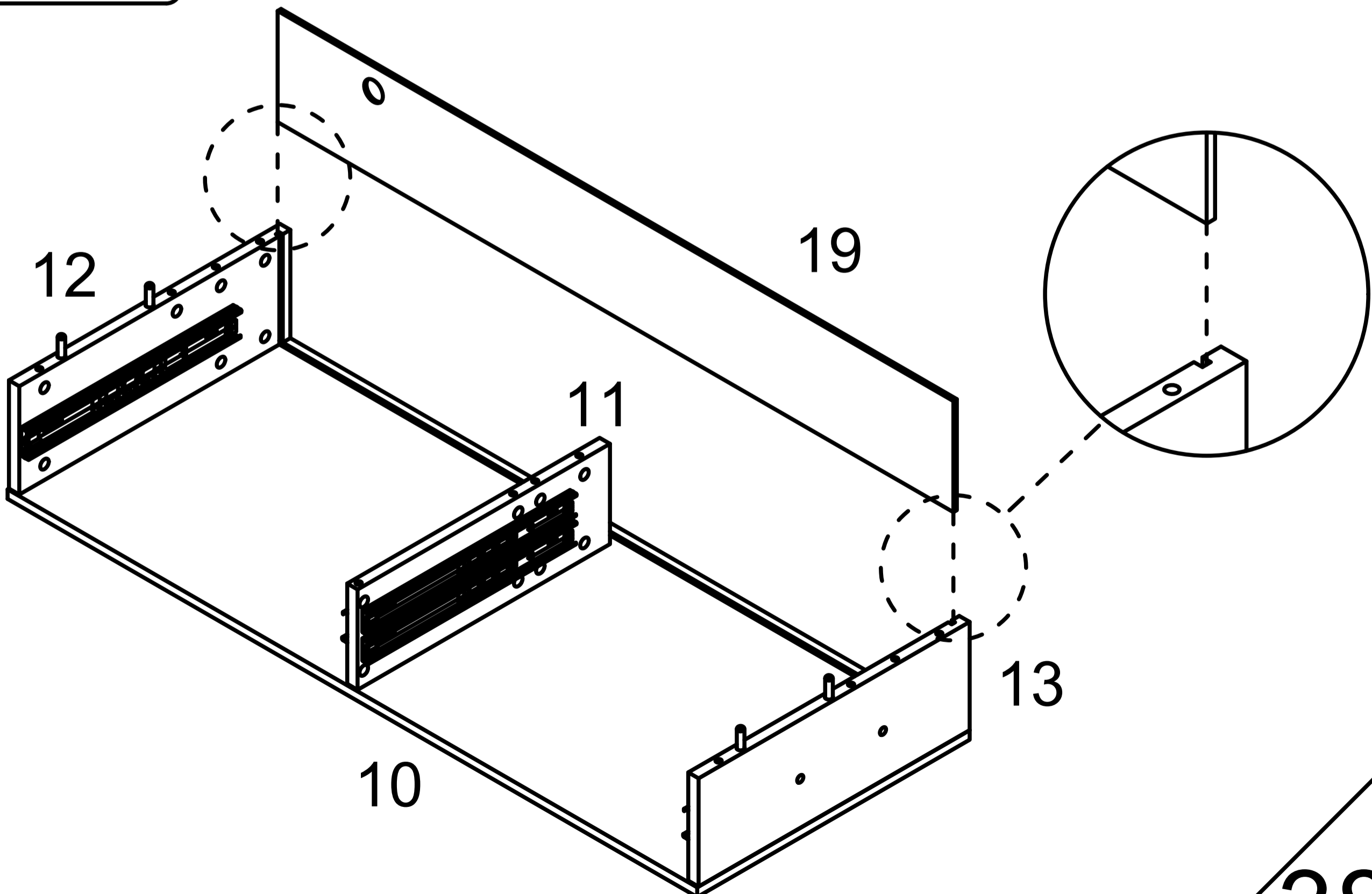
Picture after proper installation



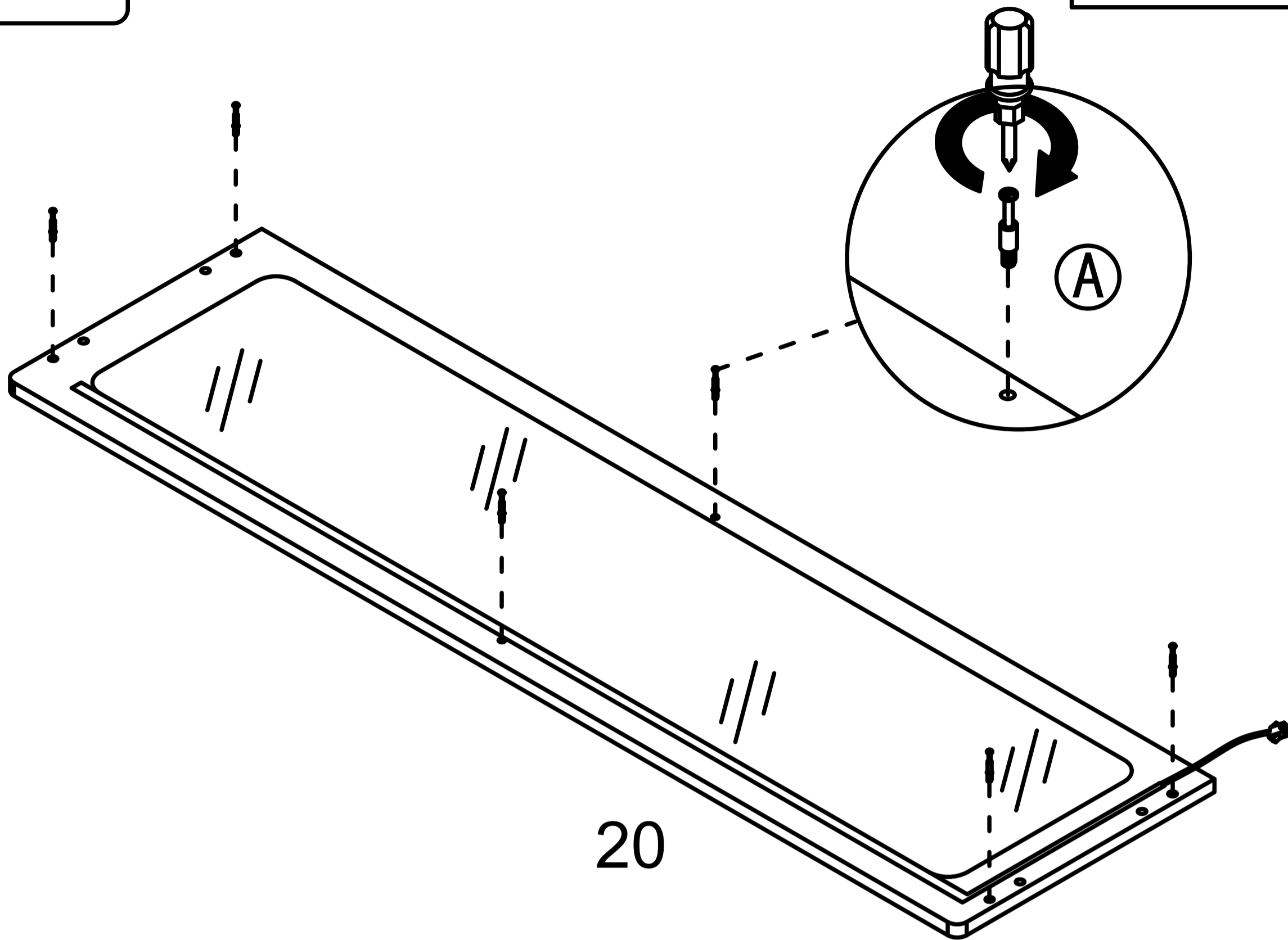
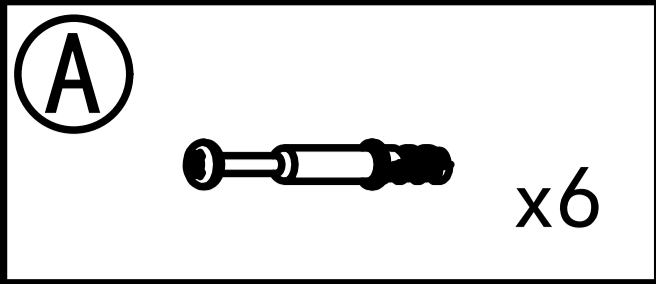
Step 57



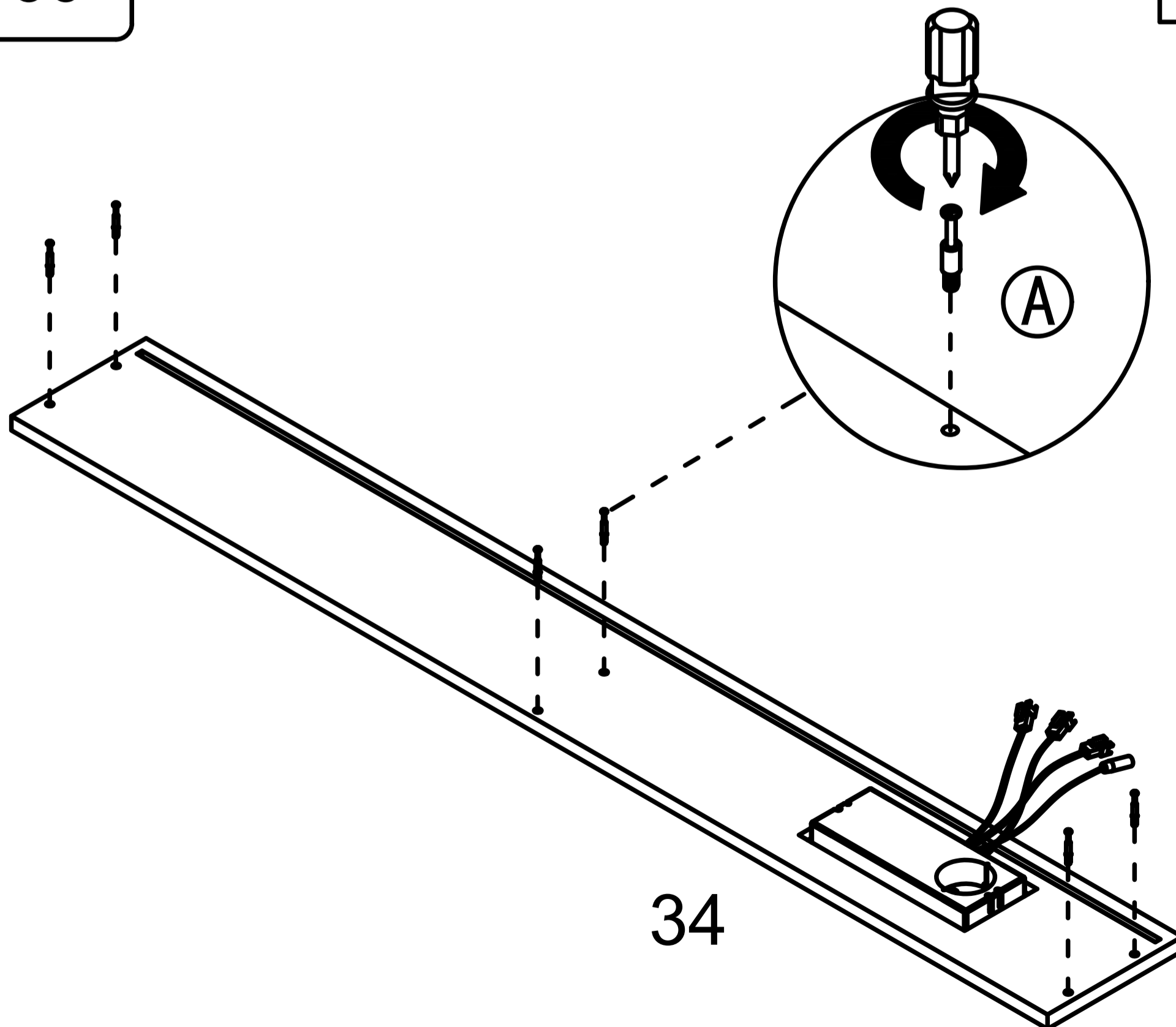
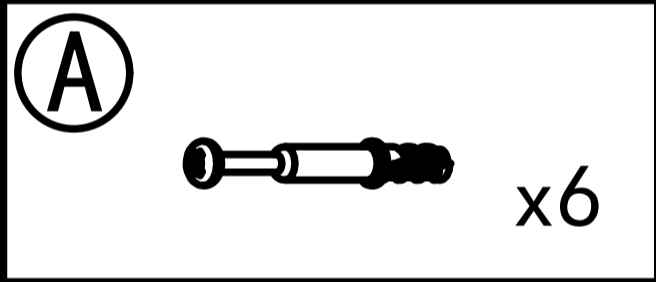
Step 58



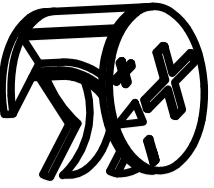
Step 59

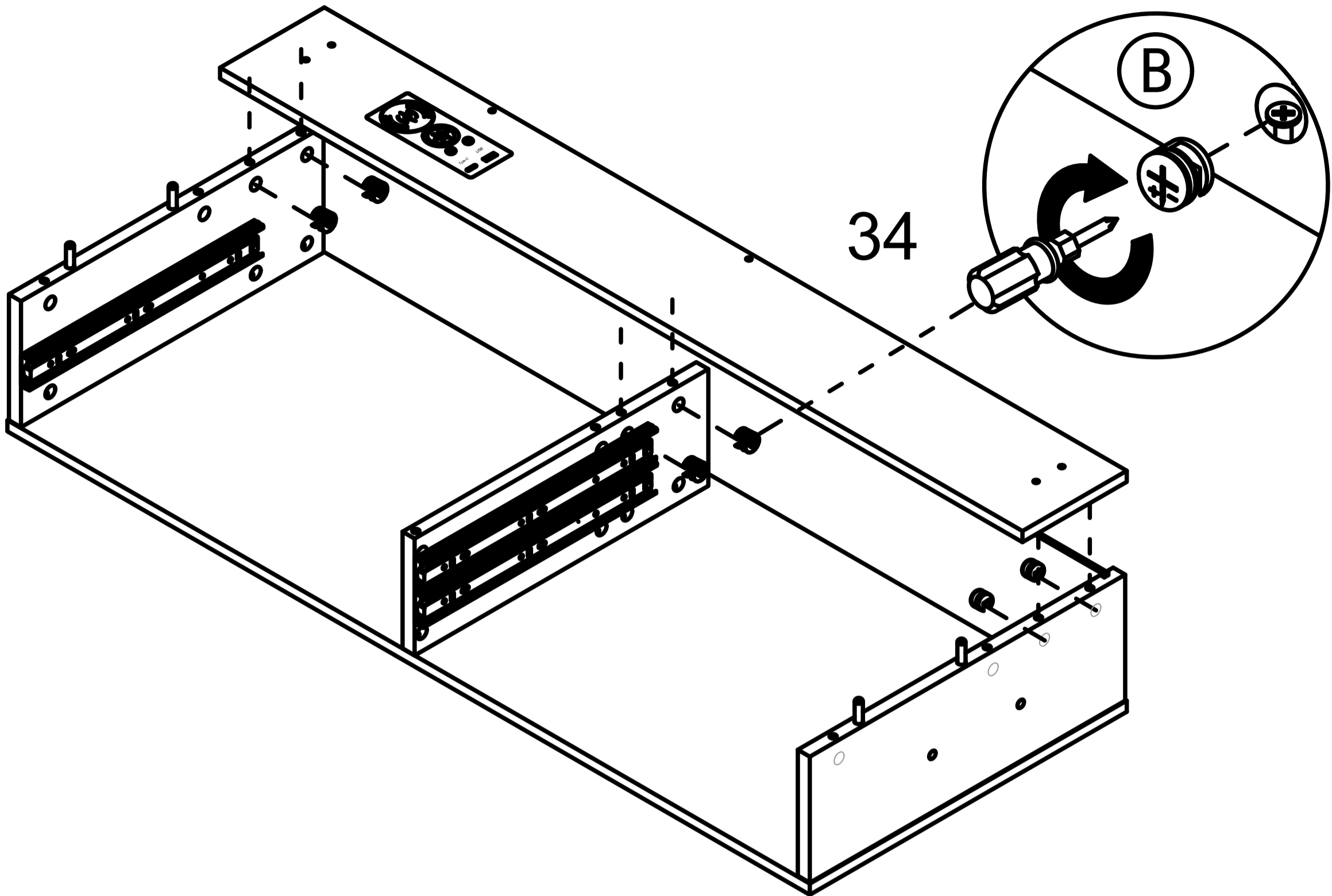


Step 60




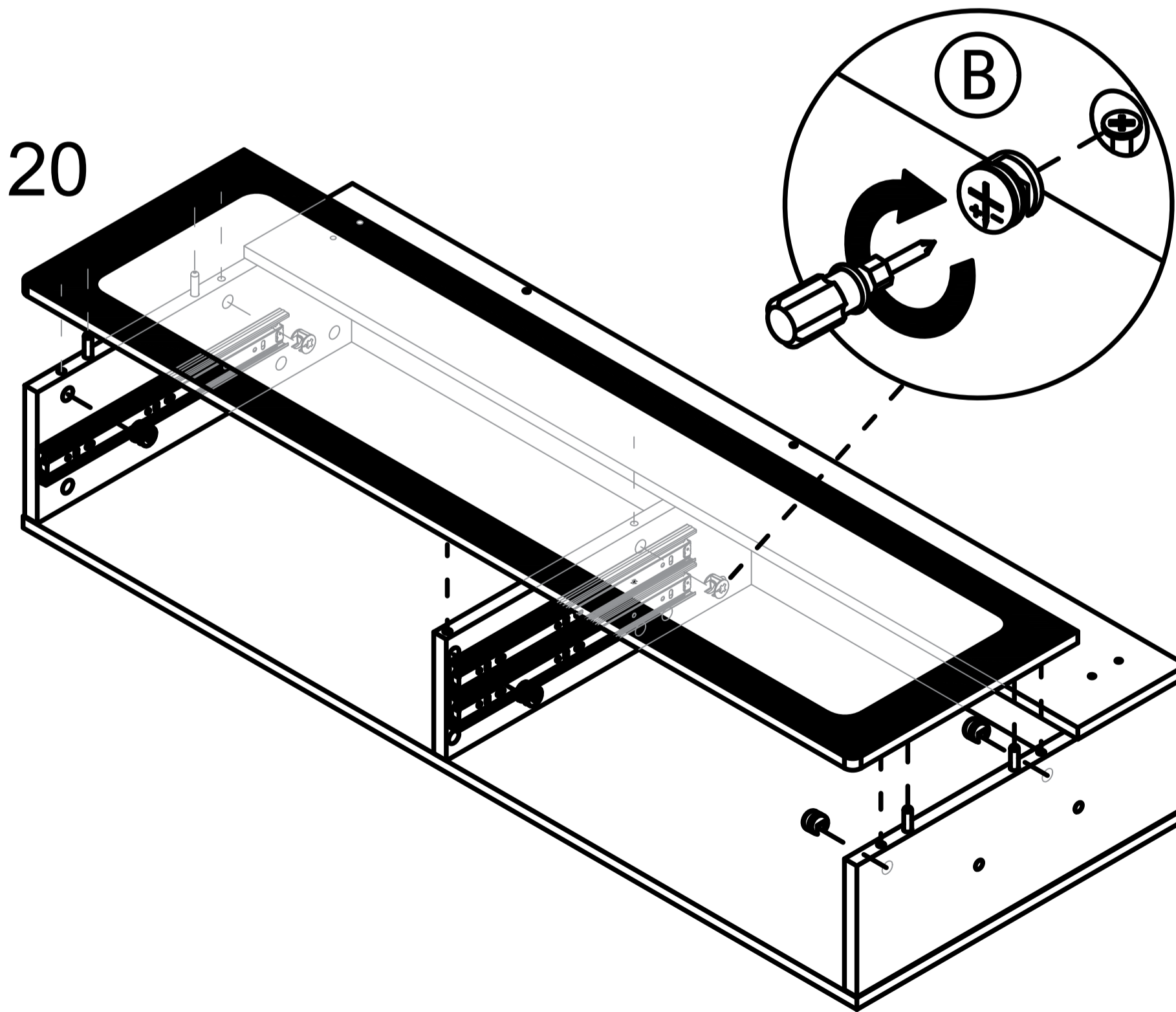
Step 61

(B)  x6



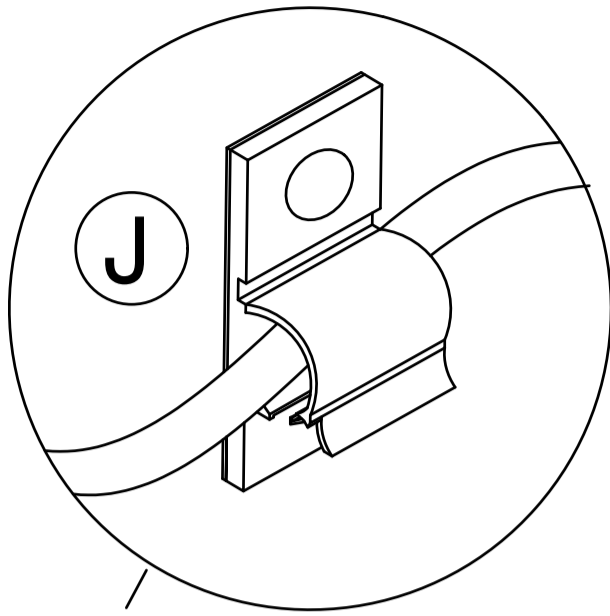
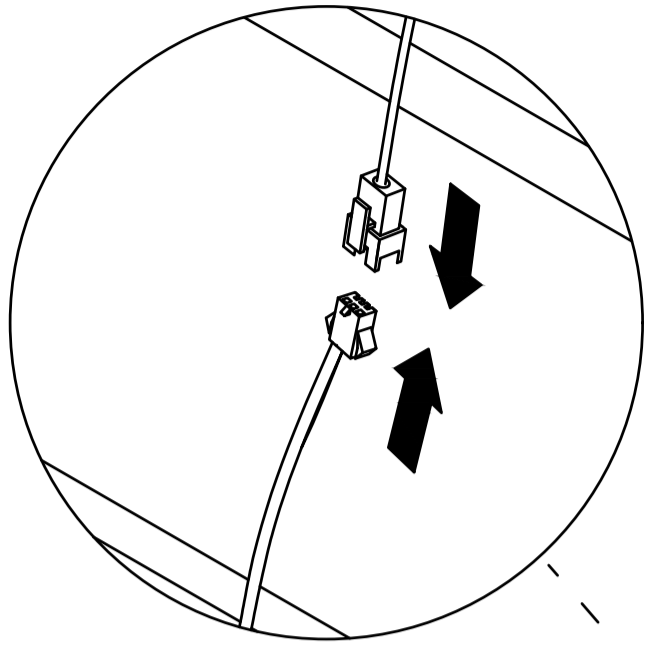
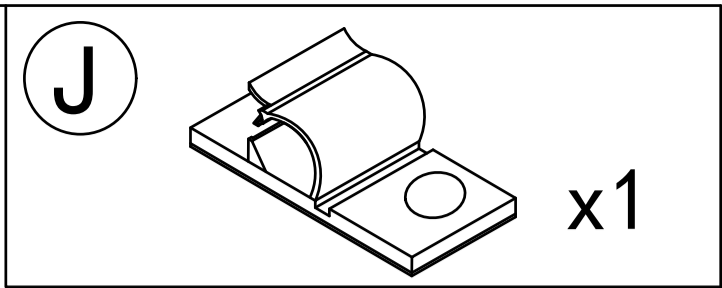
Step 62

(B)  x6

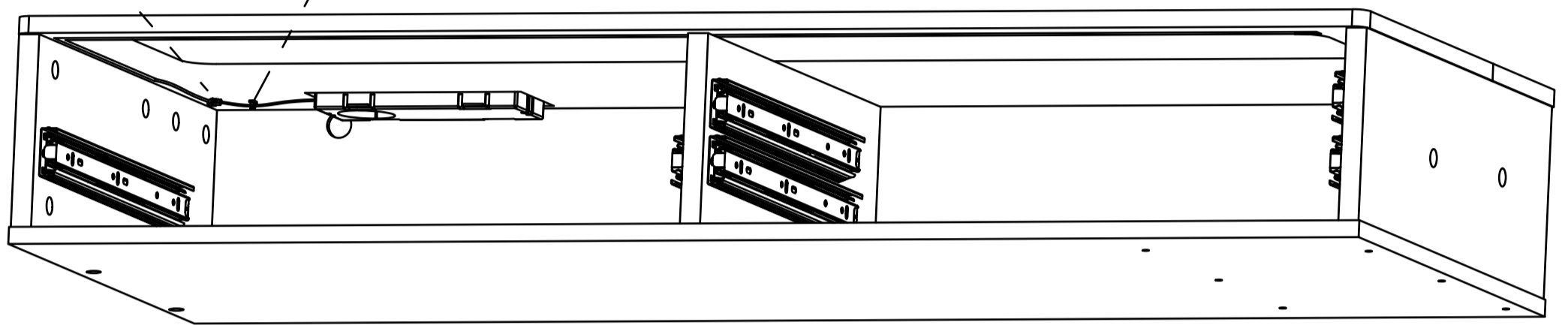


40

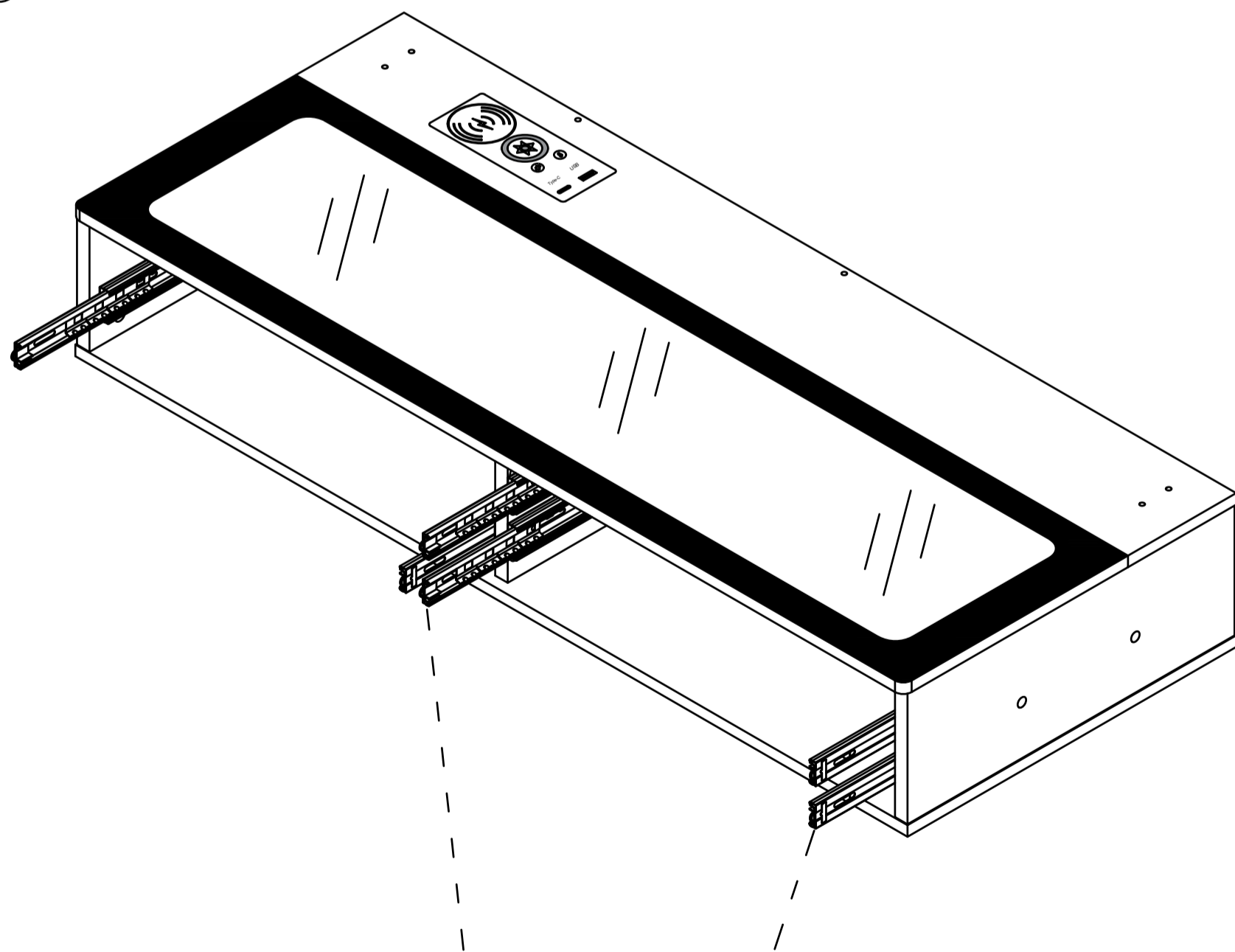
Step 63



The light wire is connected inside

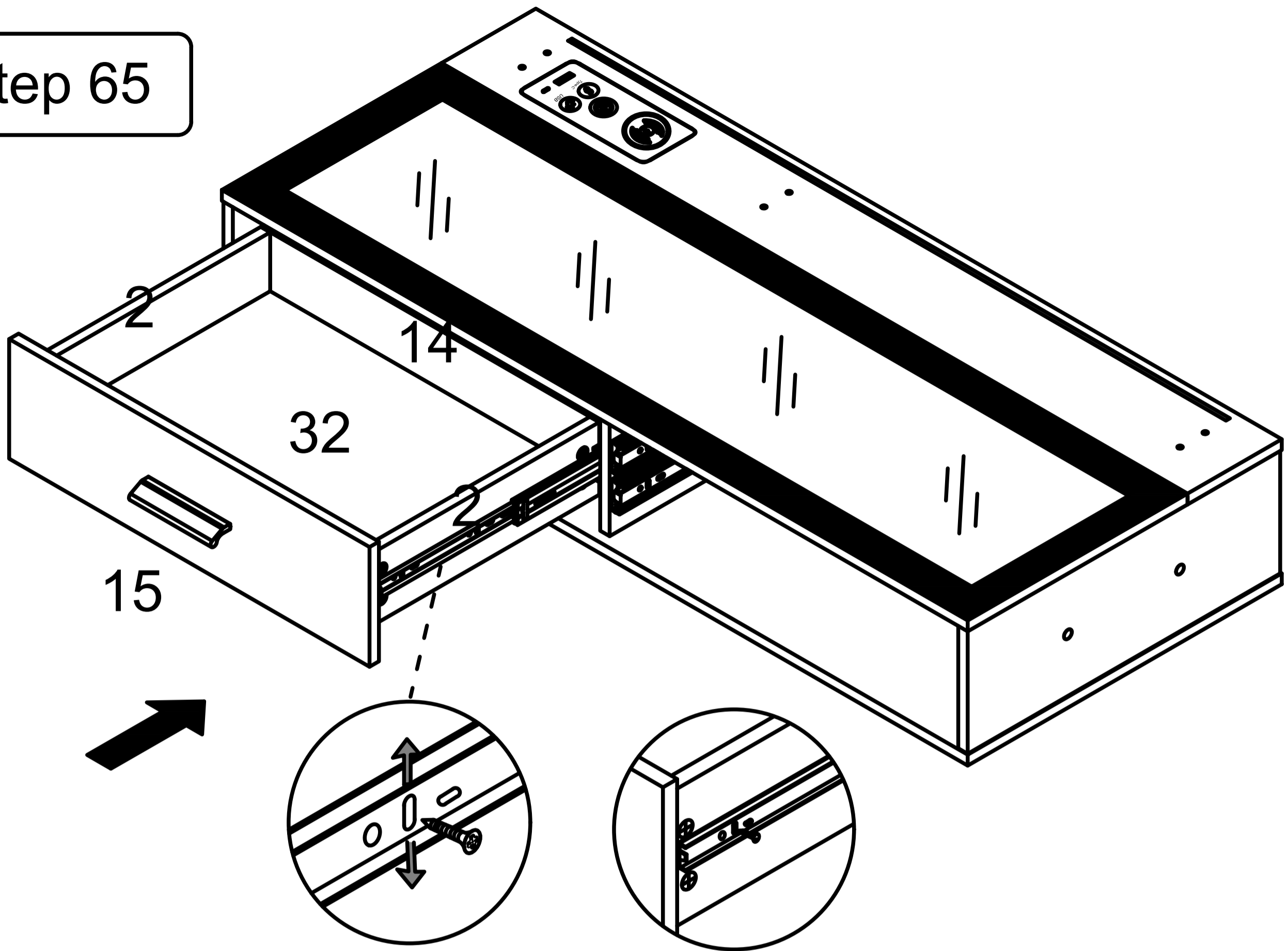


Step 64



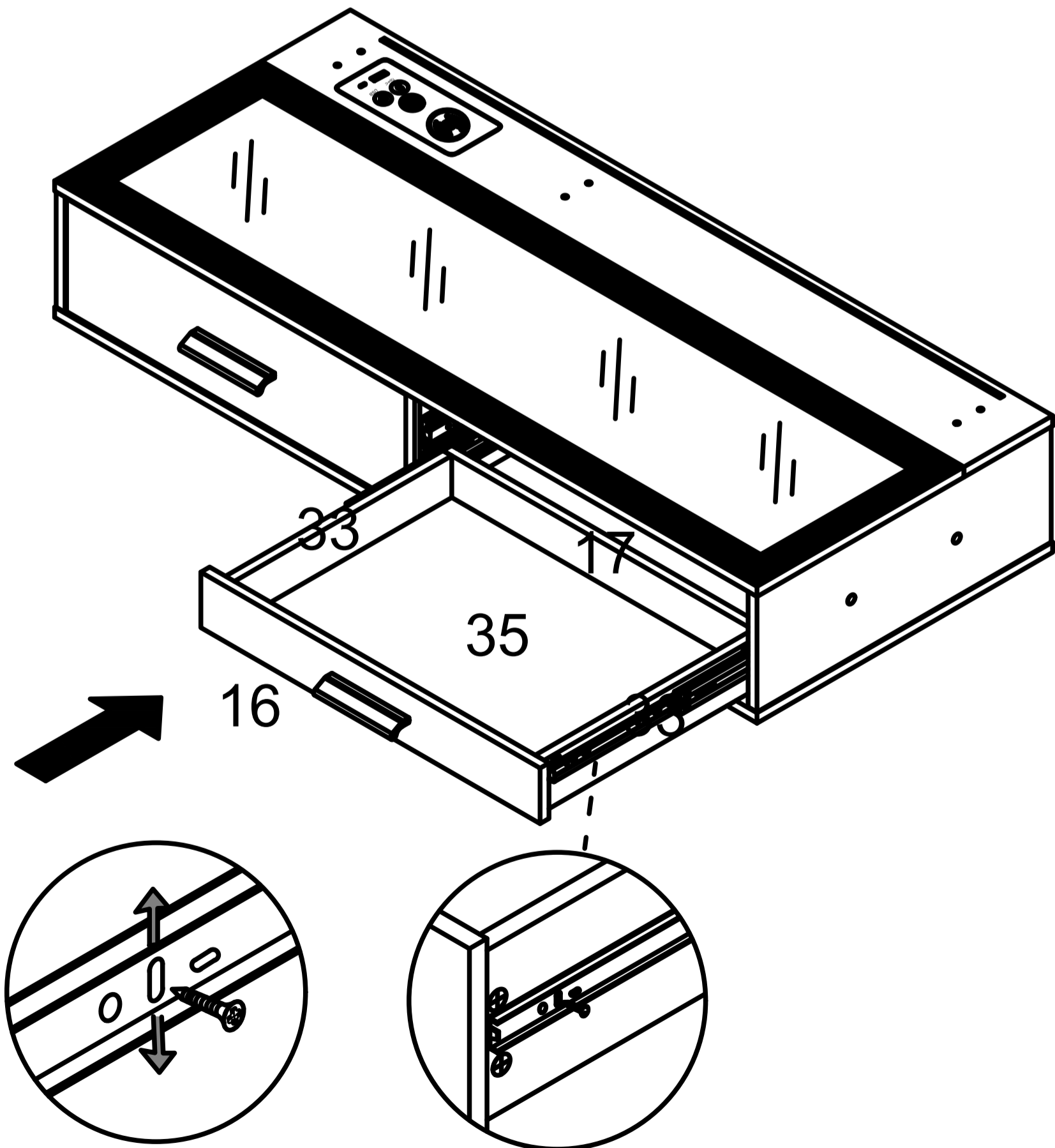
As shown, When installing the drawer, pull the guide rail out first, Slide beads are also pulled out.

Step 65



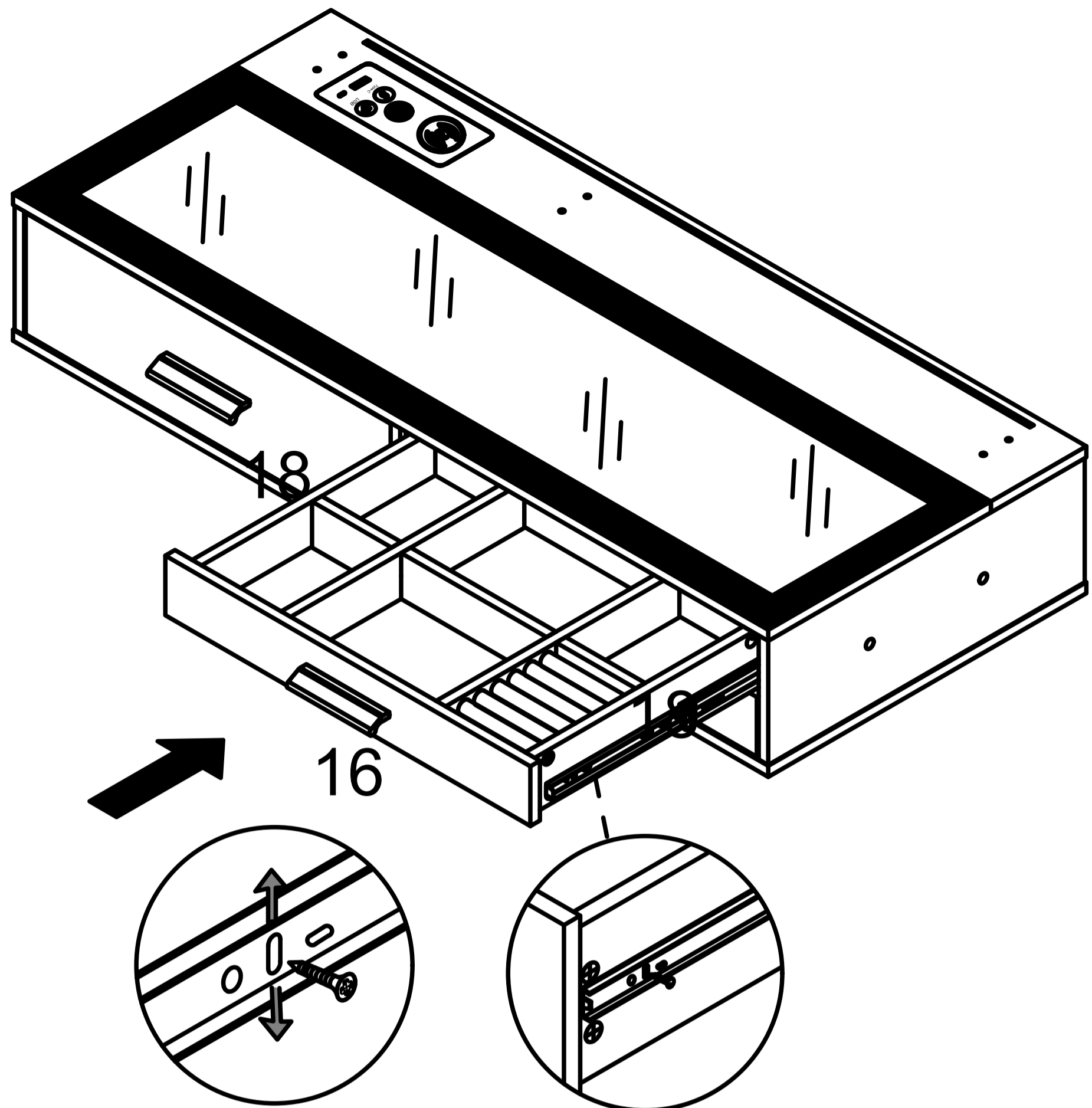
If a large gap is found after installing the drawer the slide rail can be moved up and down to adjust the gap

Step 66



If a large gap is found after installing the drawer the slide rail can be moved up and down to adjust the gap

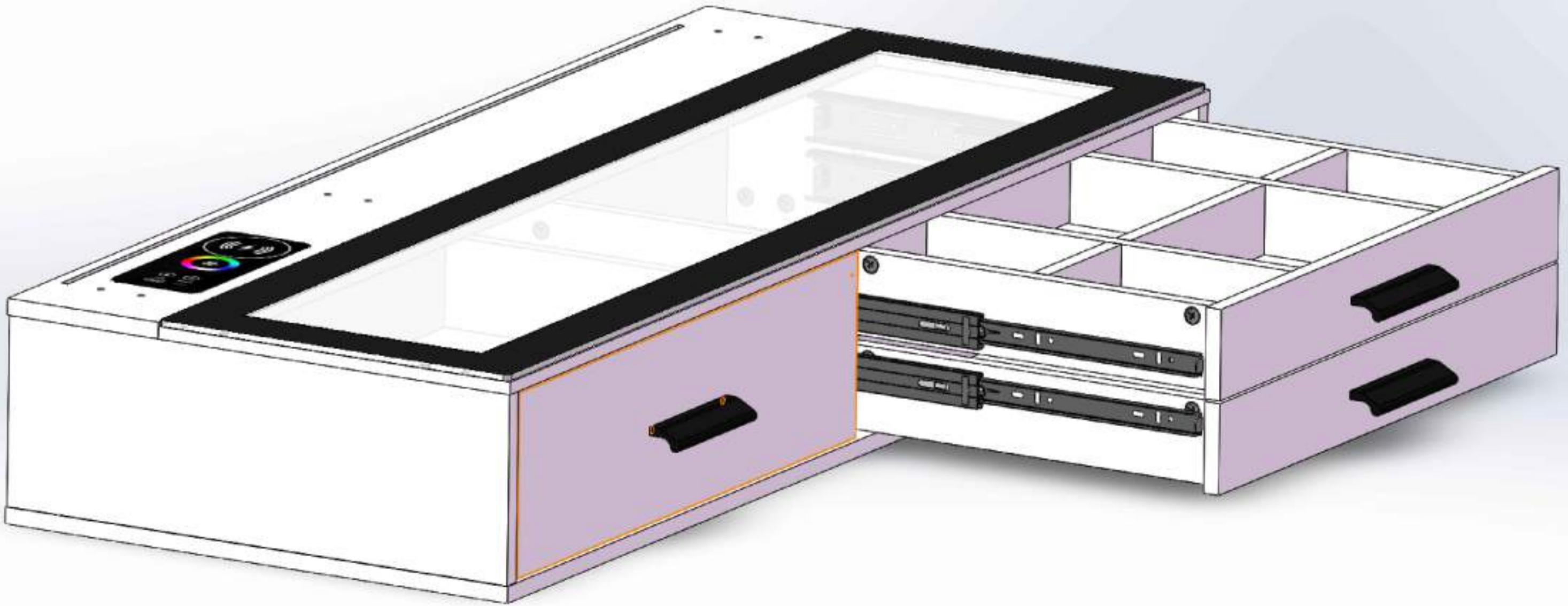
Step 67



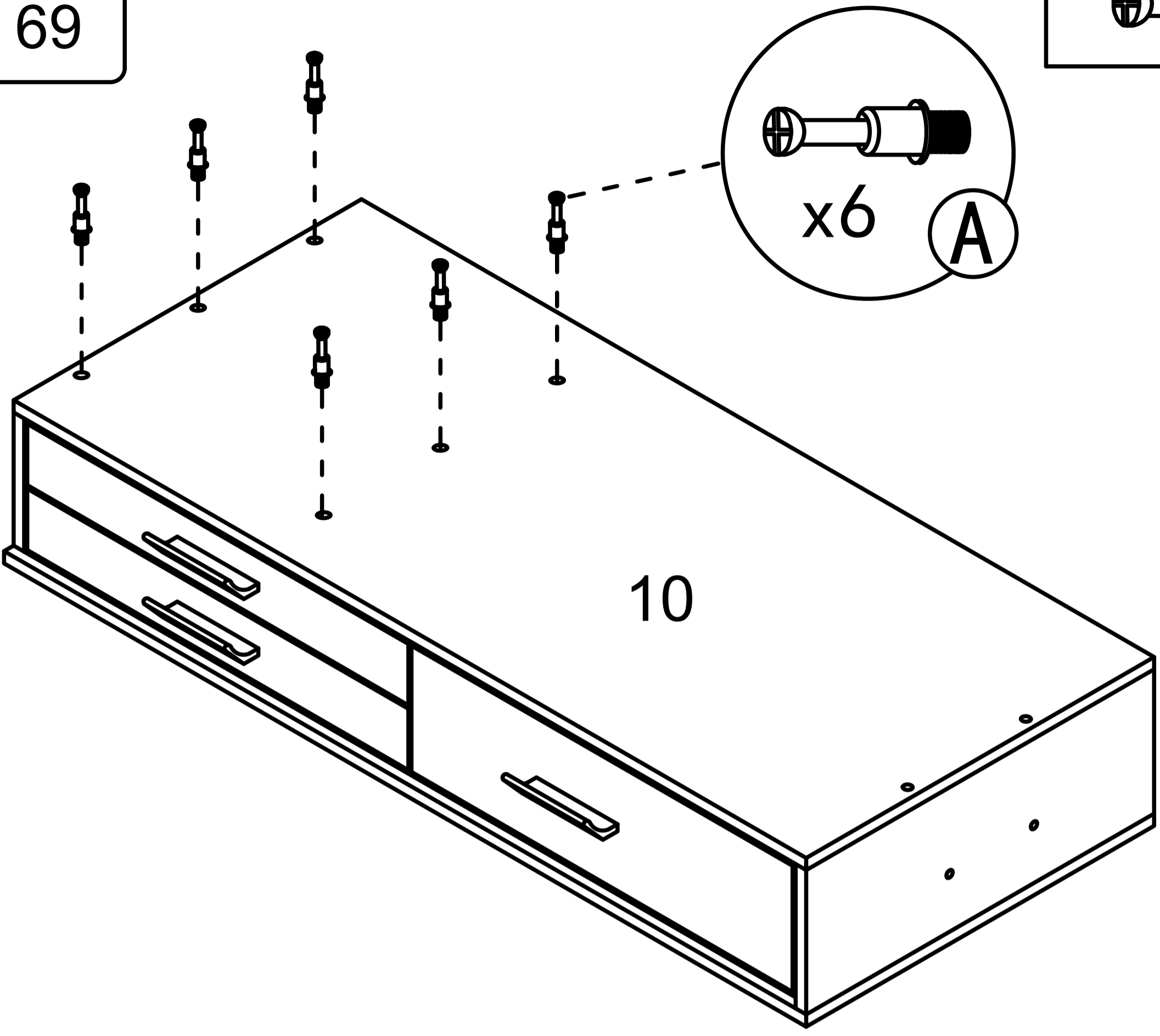
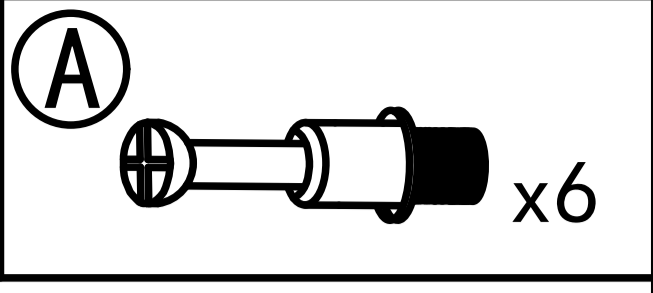
If a large gap is found after installing the drawer the slide rail can be moved up and down to adjust the gap

Step 68

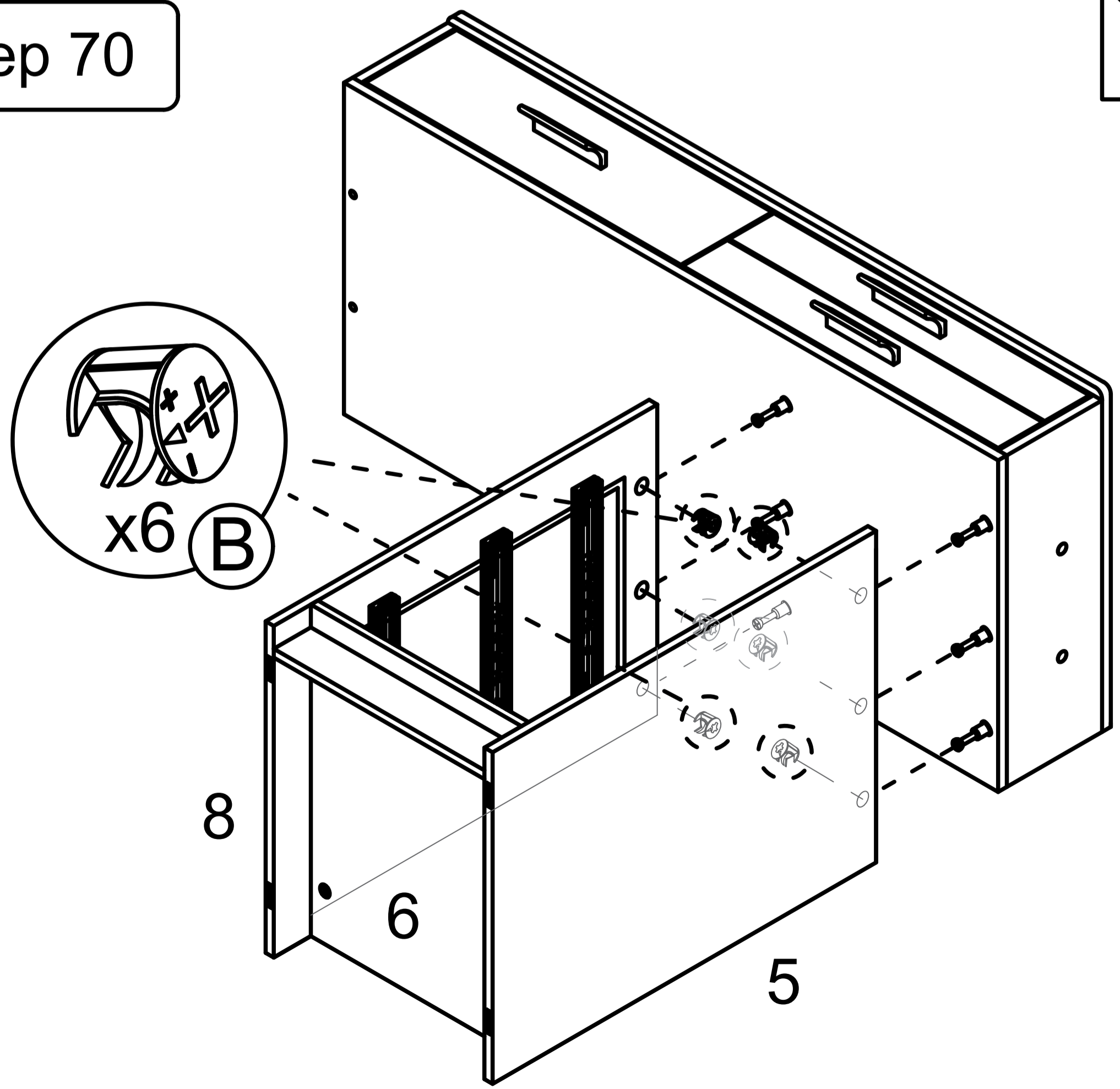
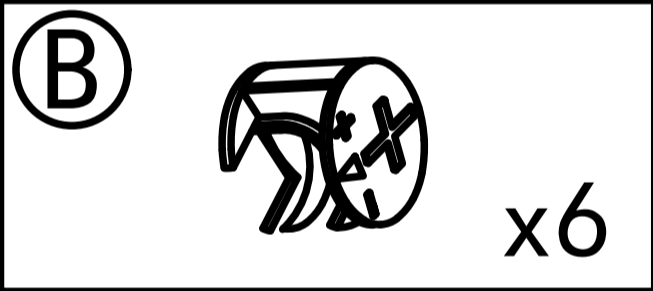
Effect after installation of the right drawer of the main cabinet



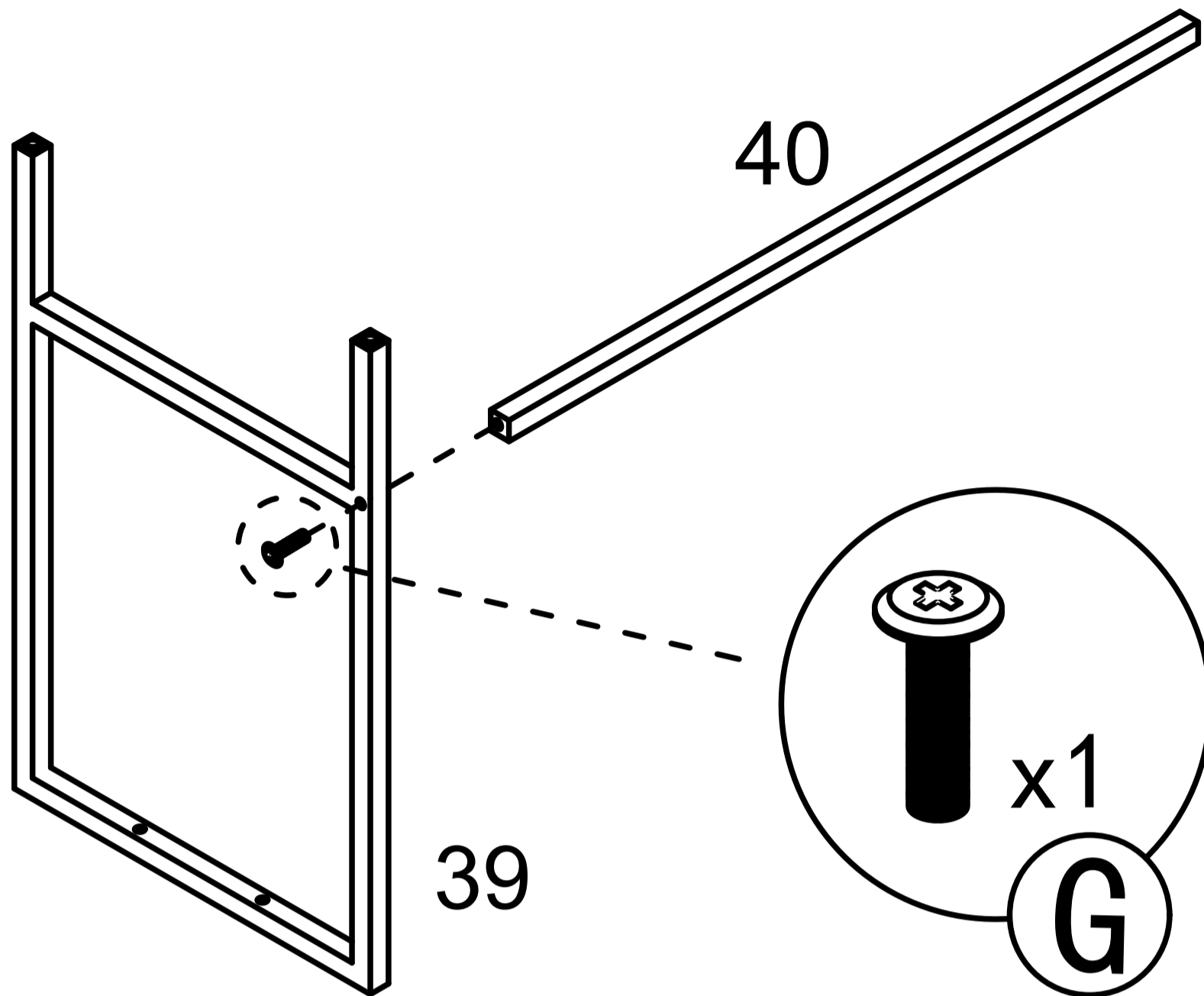
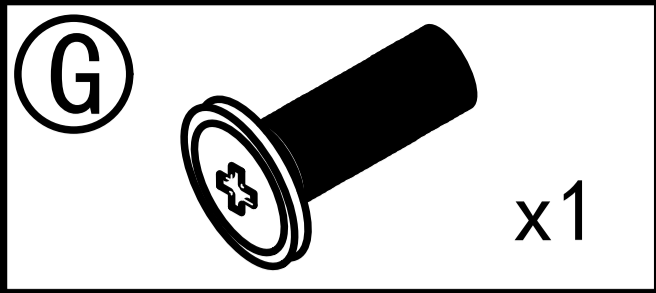
Step 69



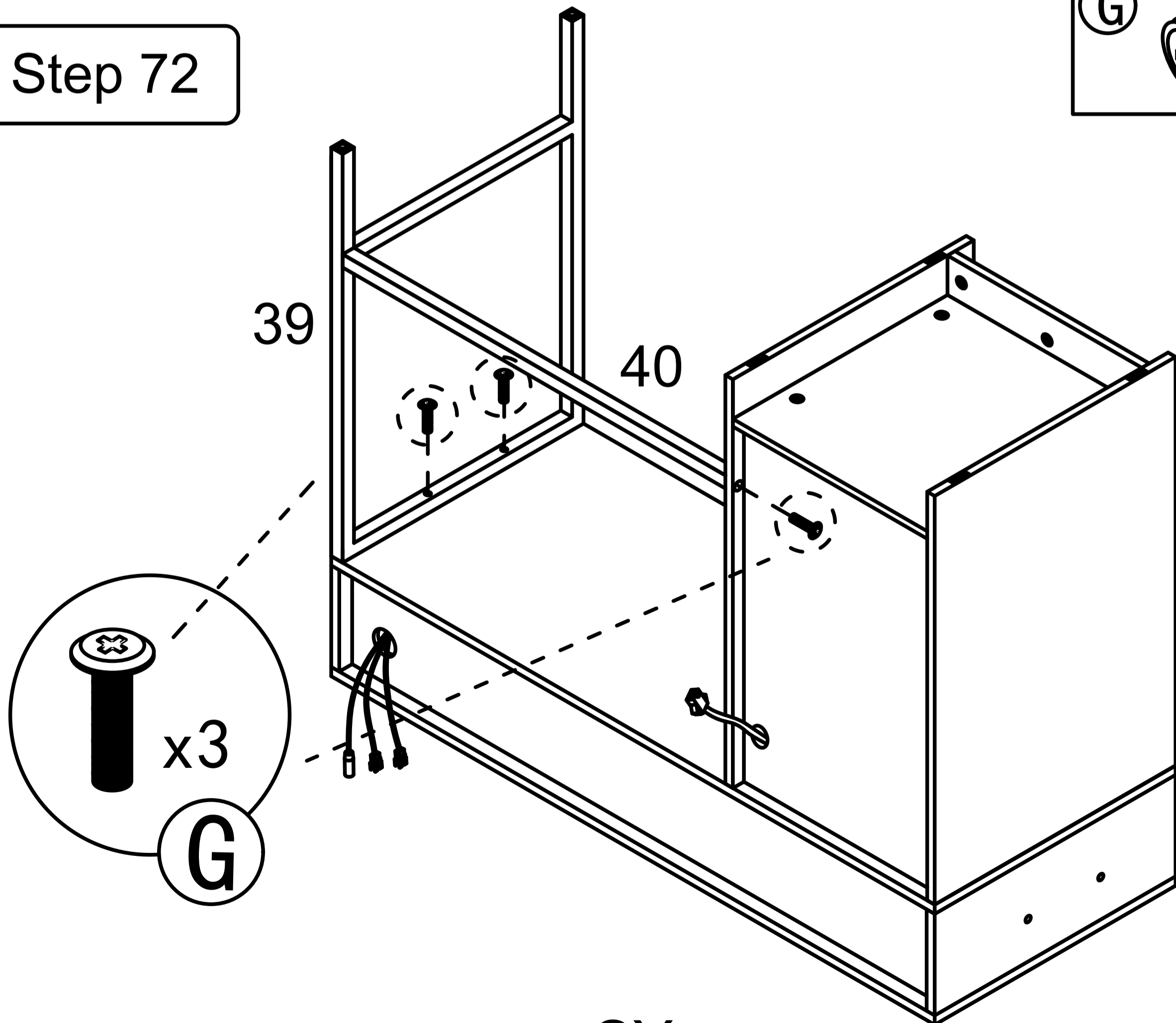
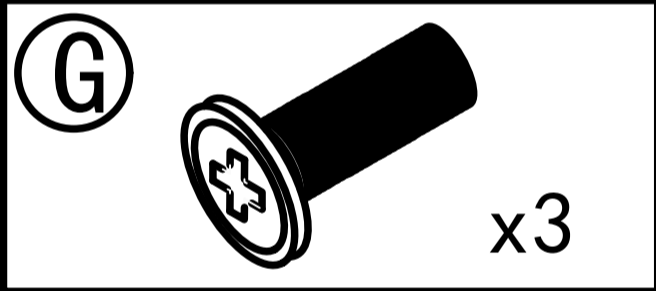
Step 70



Step 71

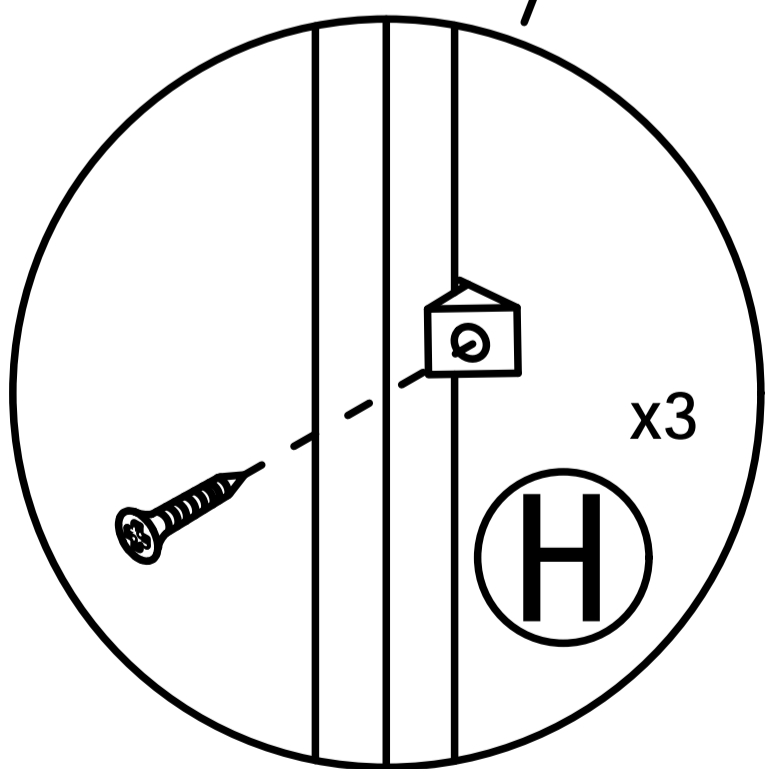
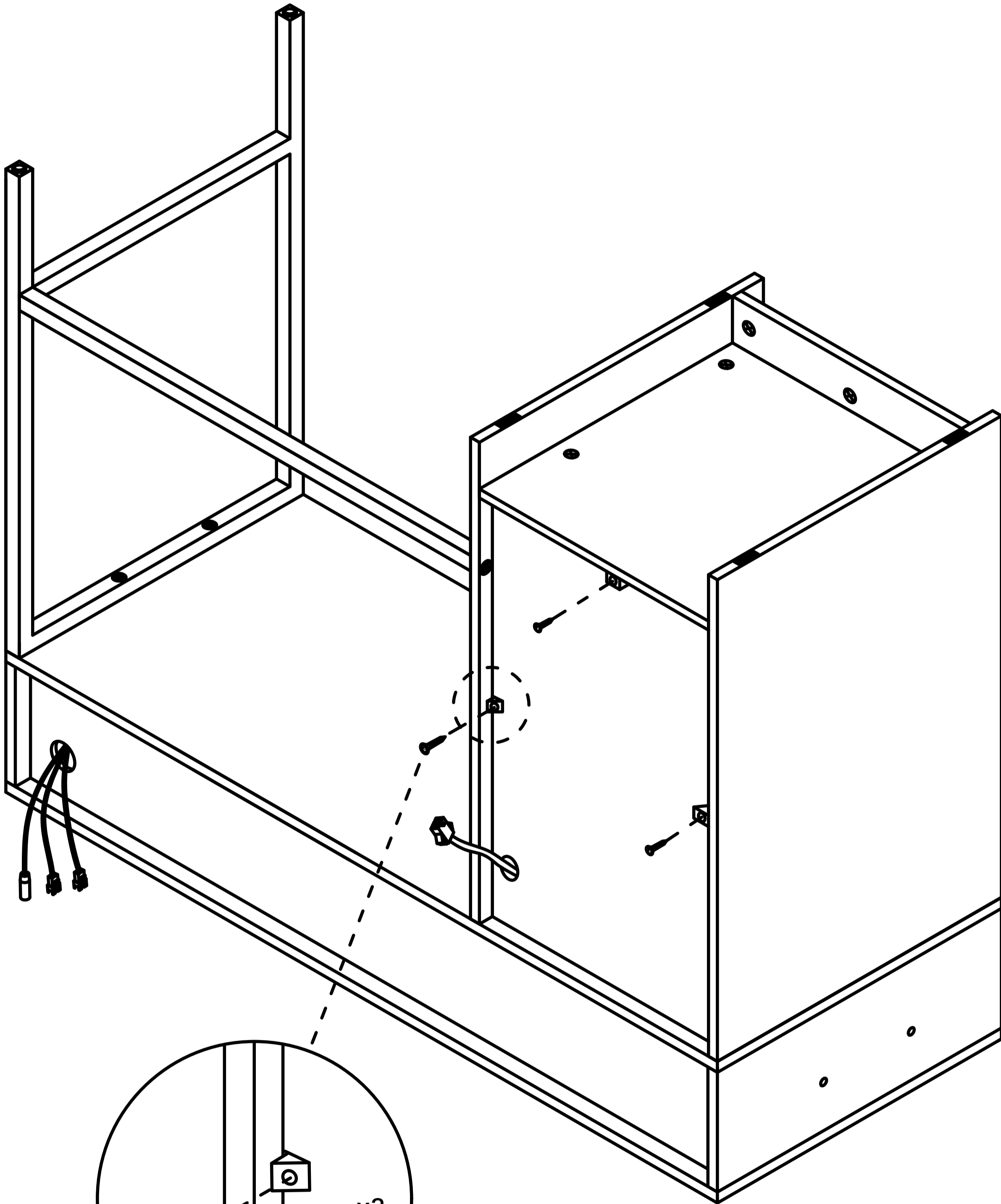
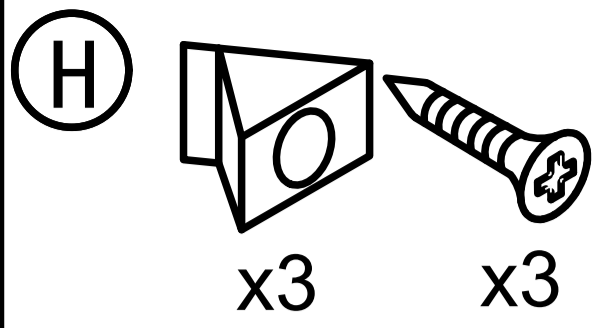


Step 72

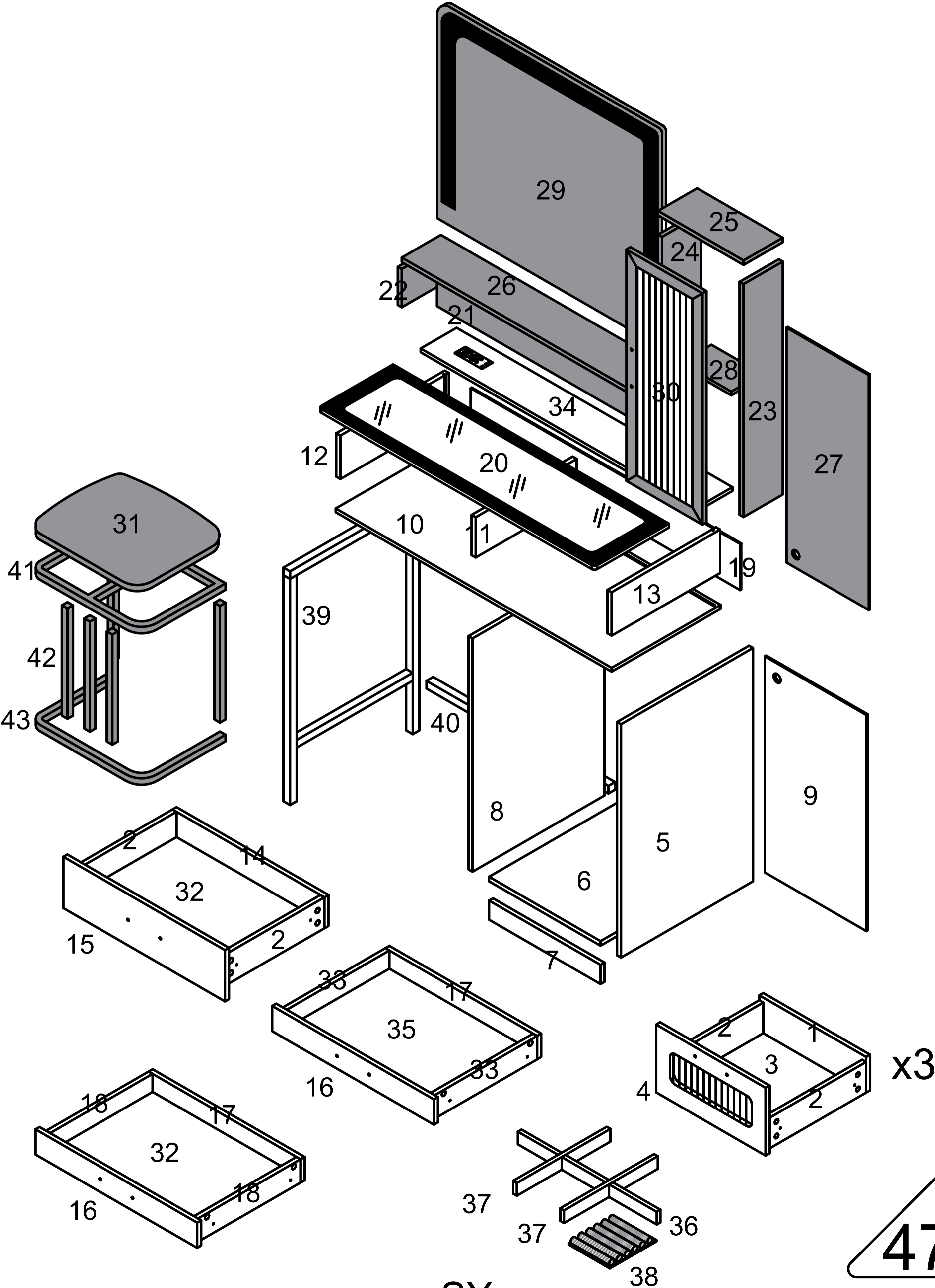


SY

Step 73

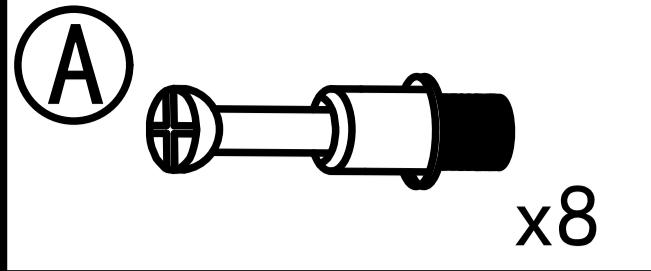
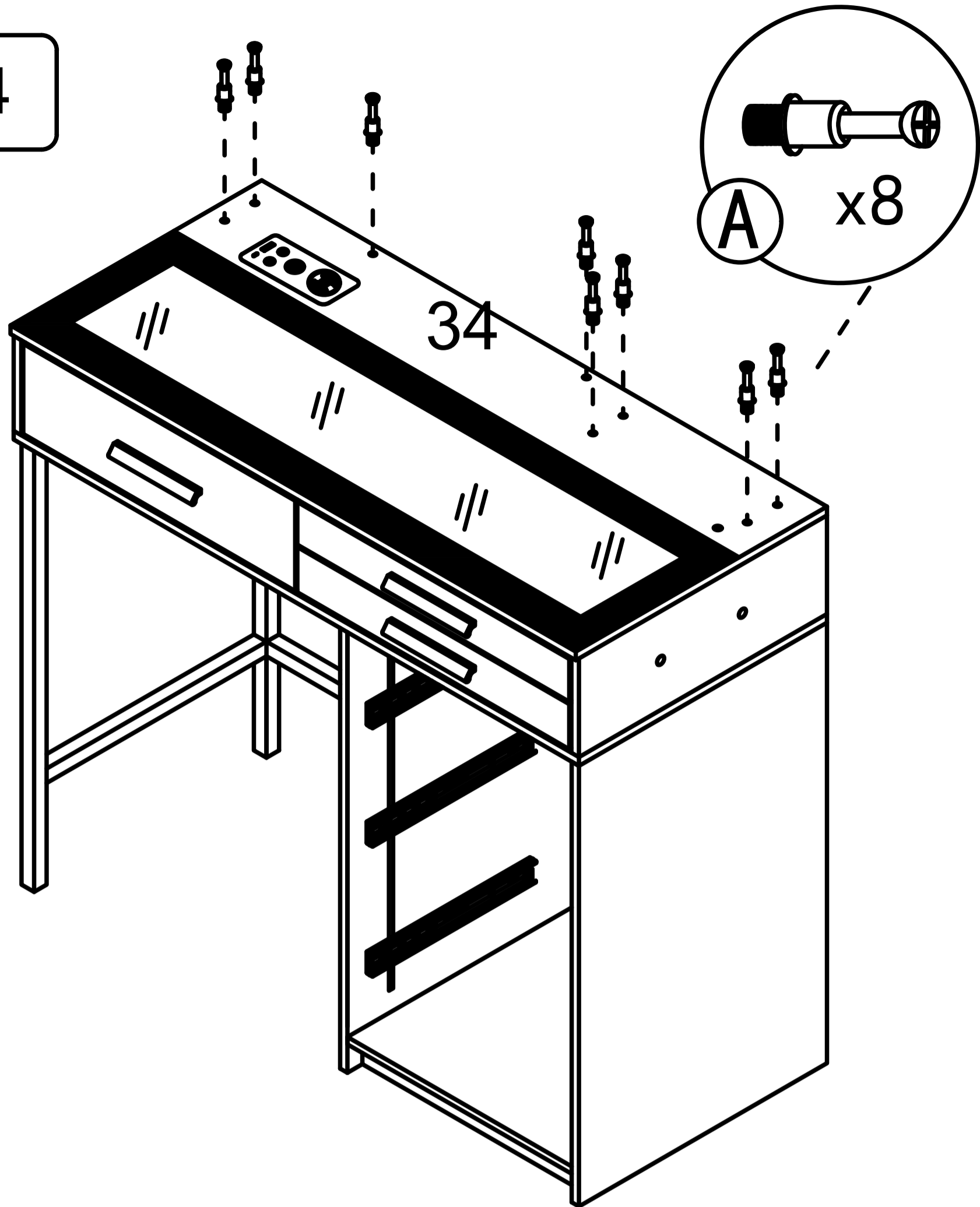


# Product structure decomposition

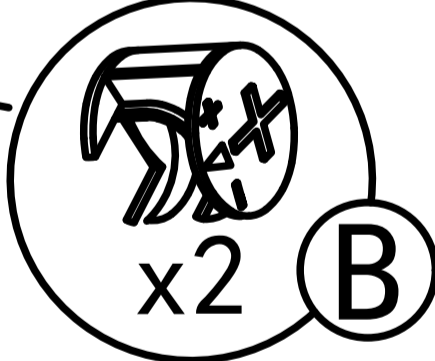
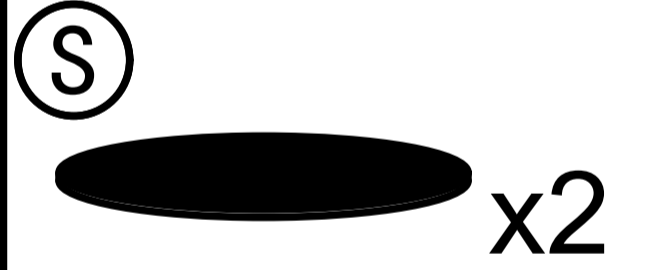
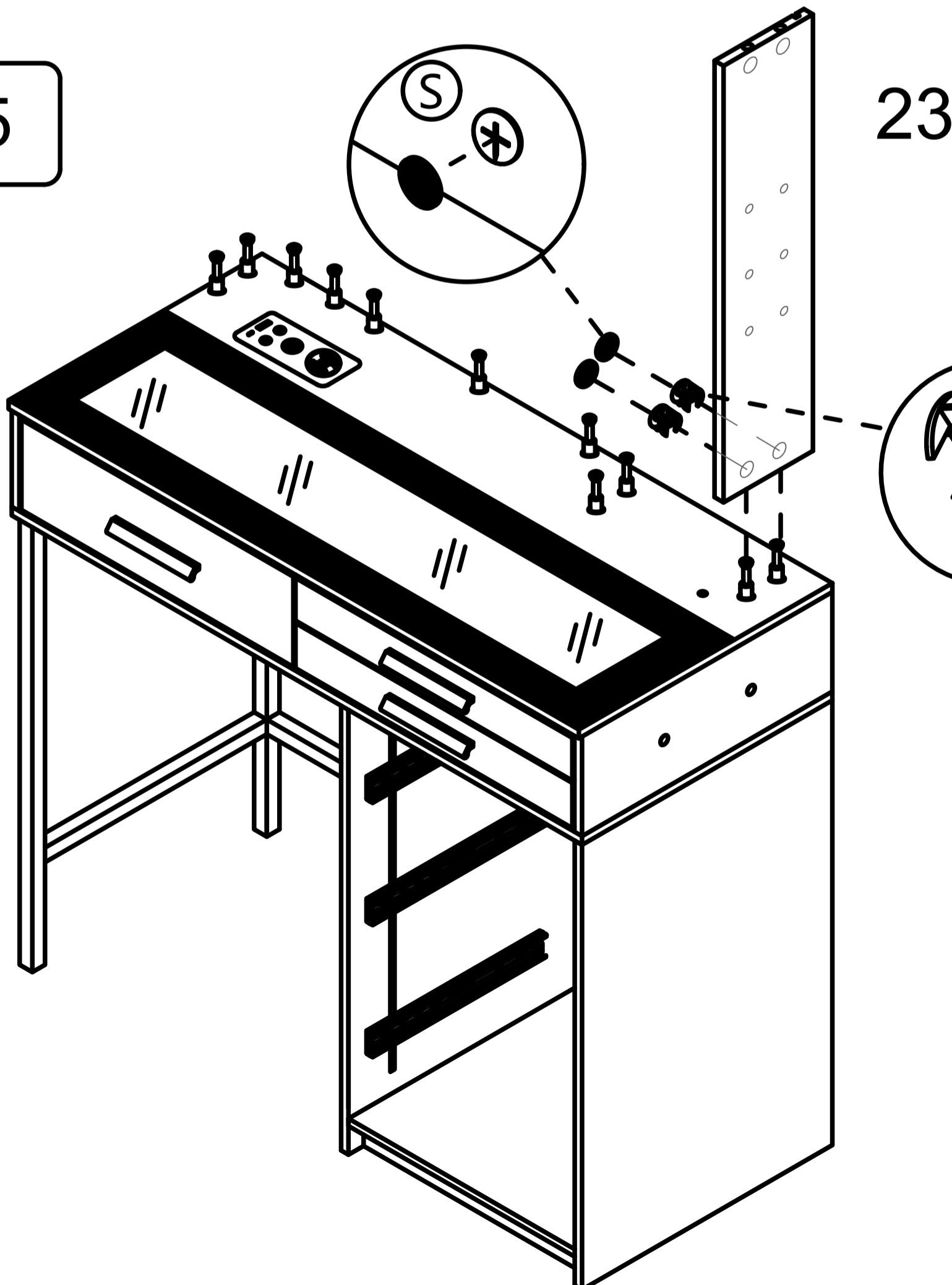


SY

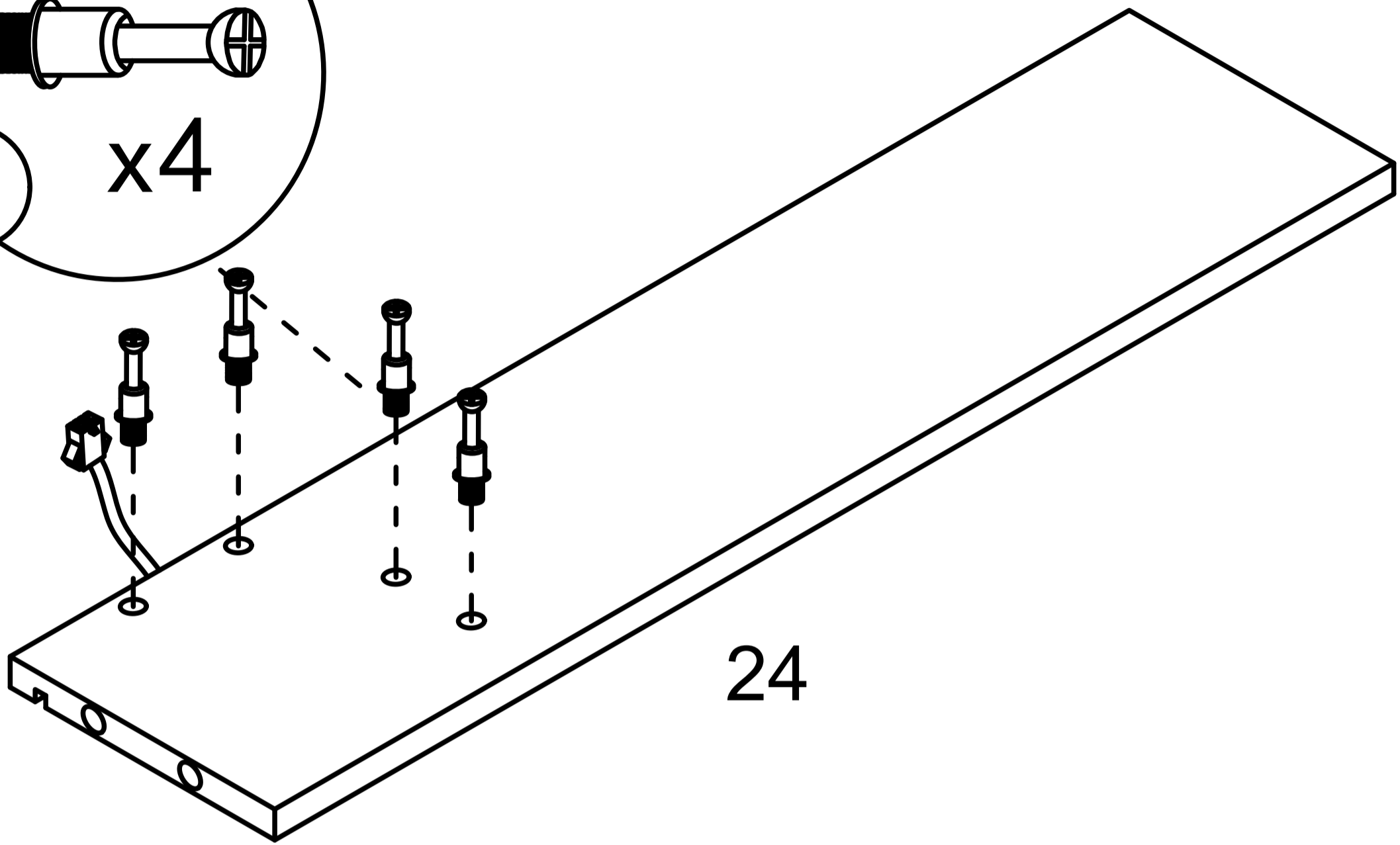
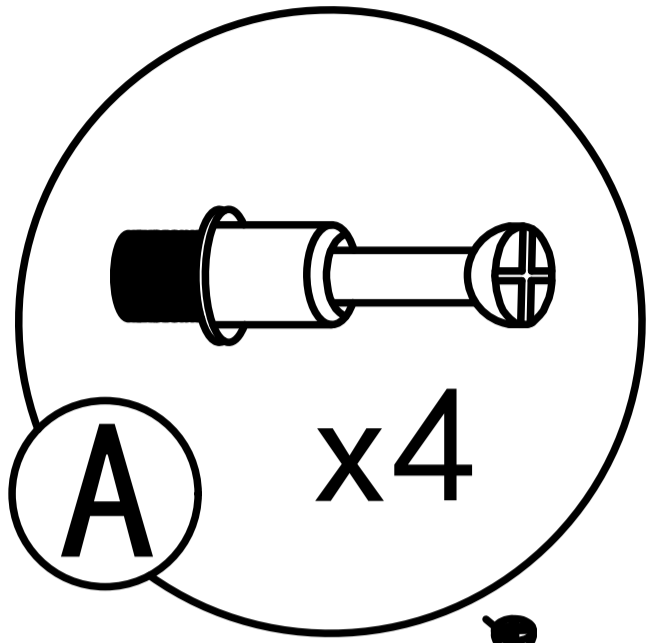
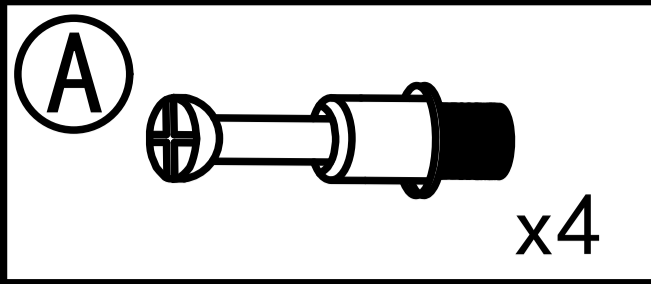
Step 74



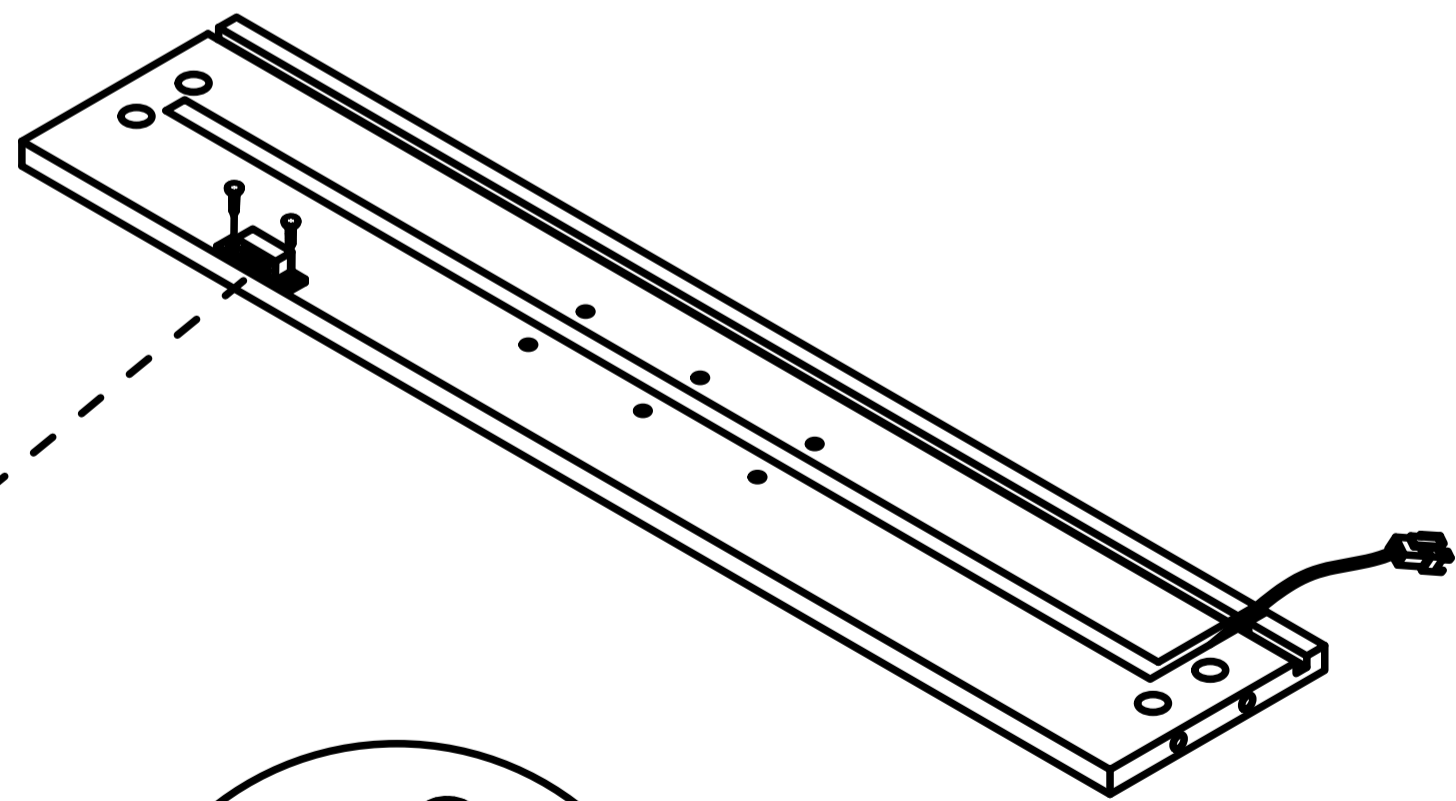
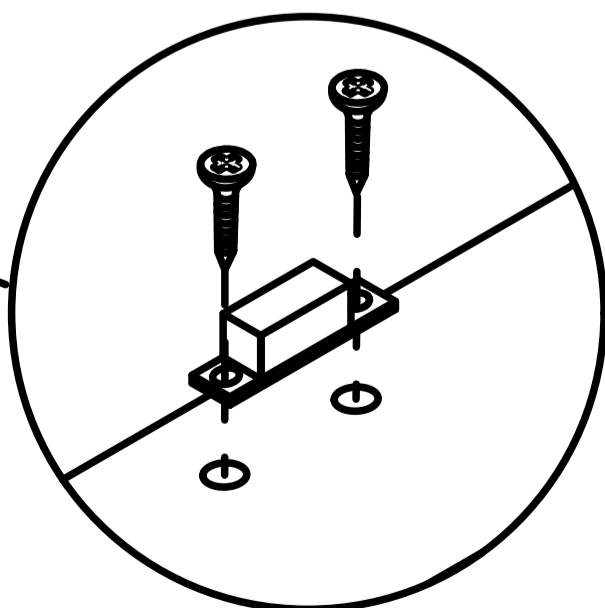
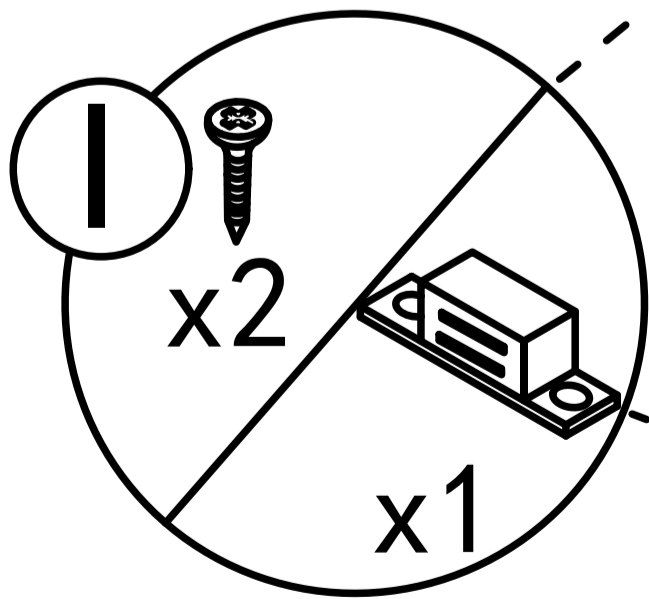
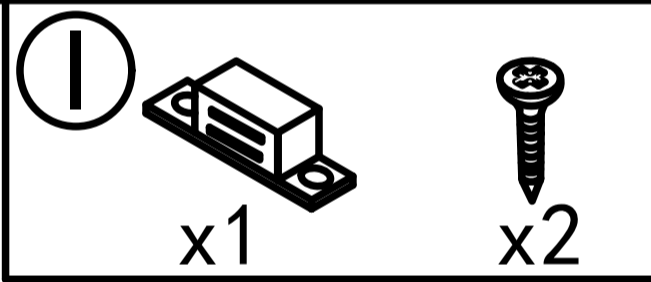
Step 75



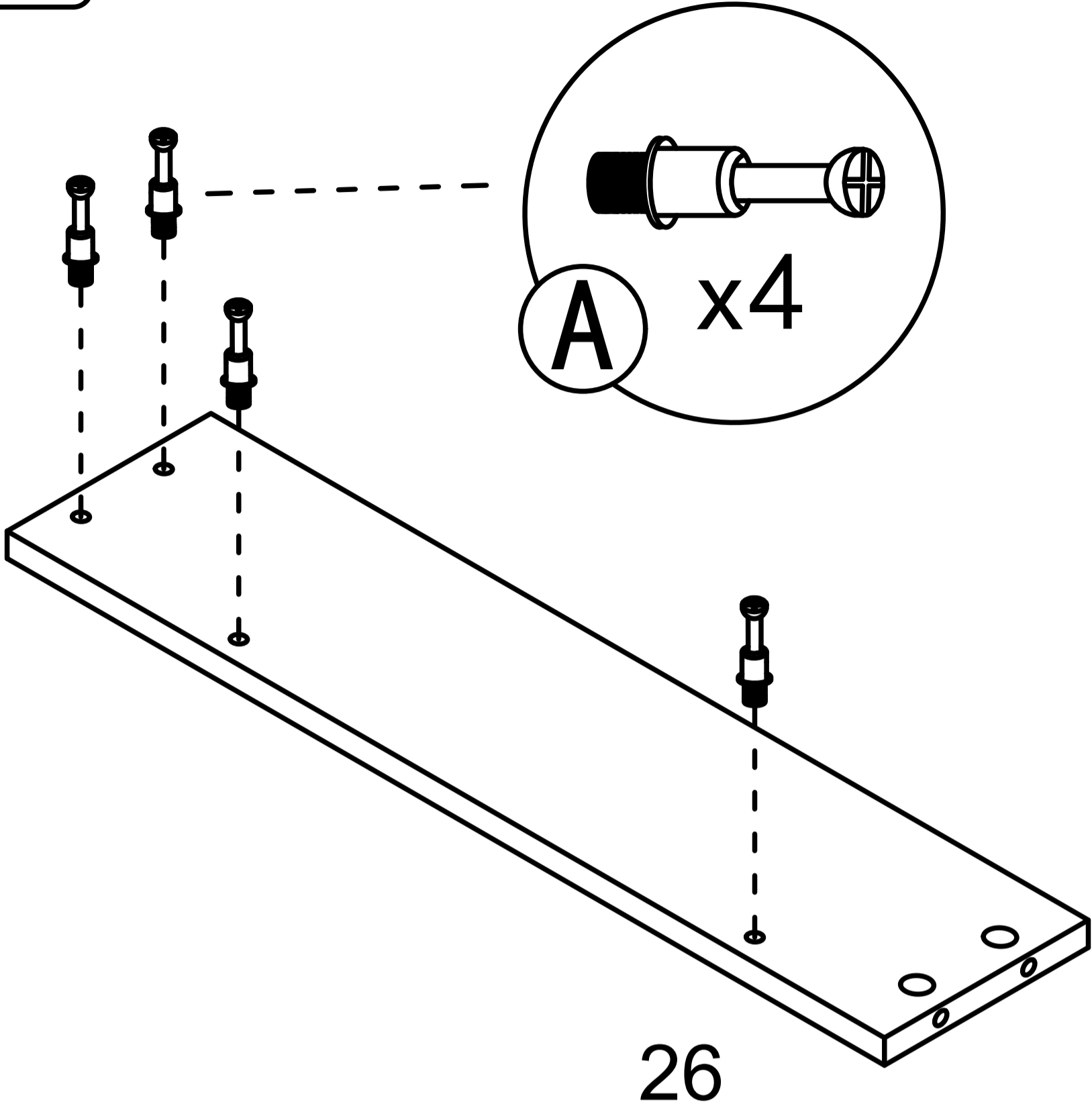
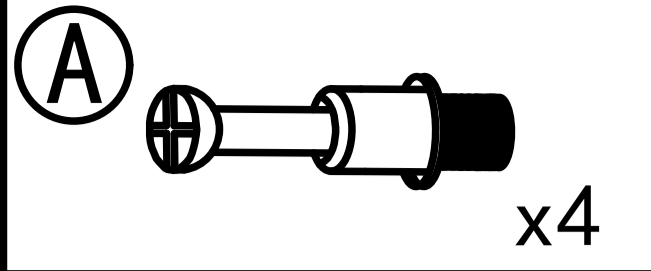
Step 76



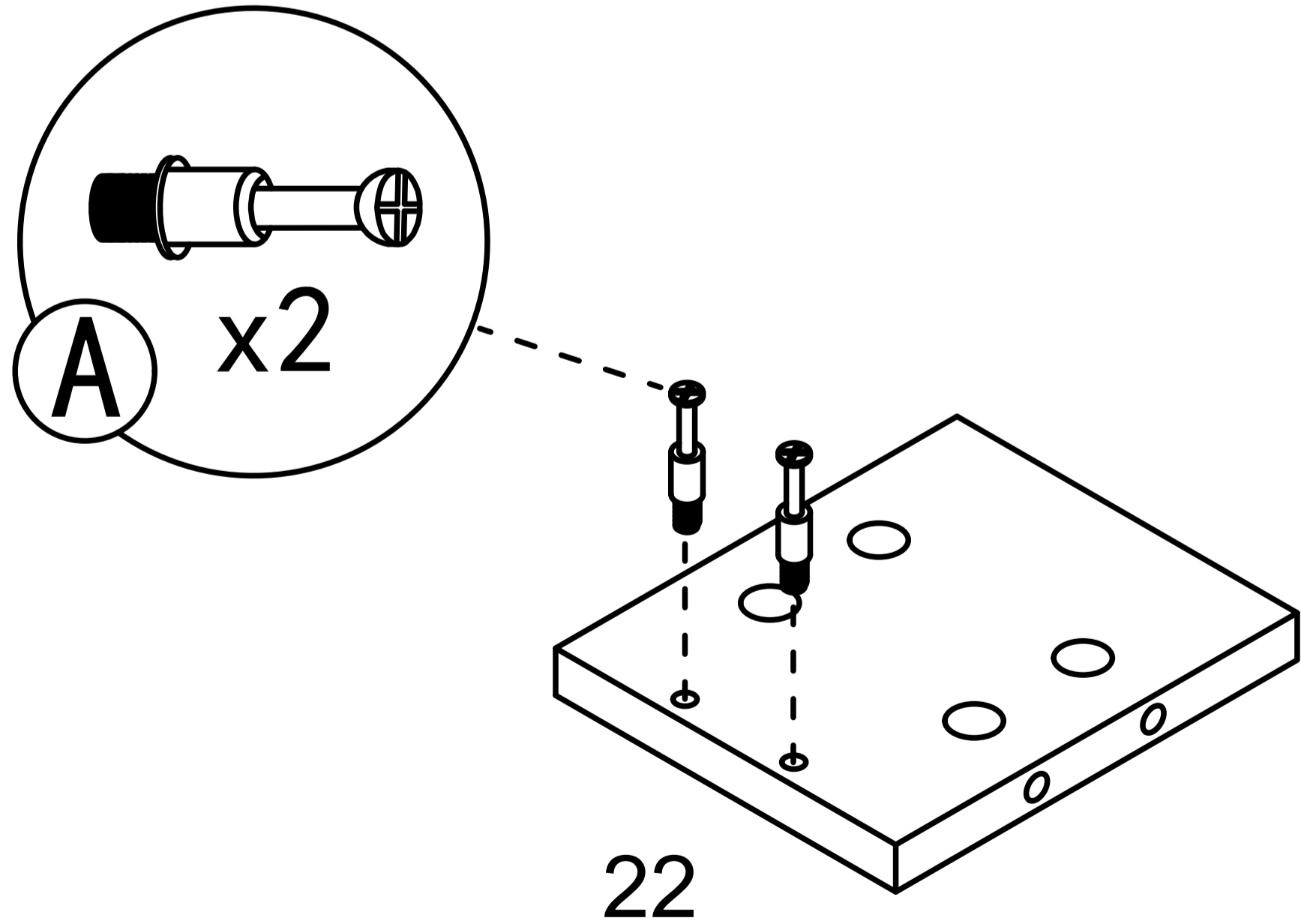
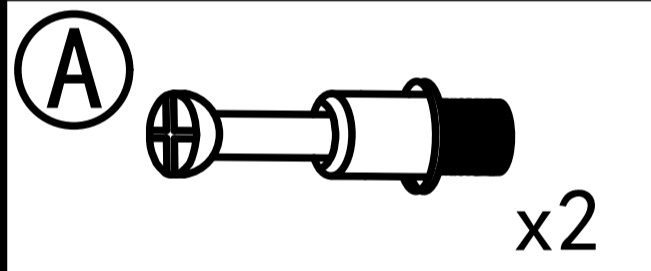
Step 77




Step 78

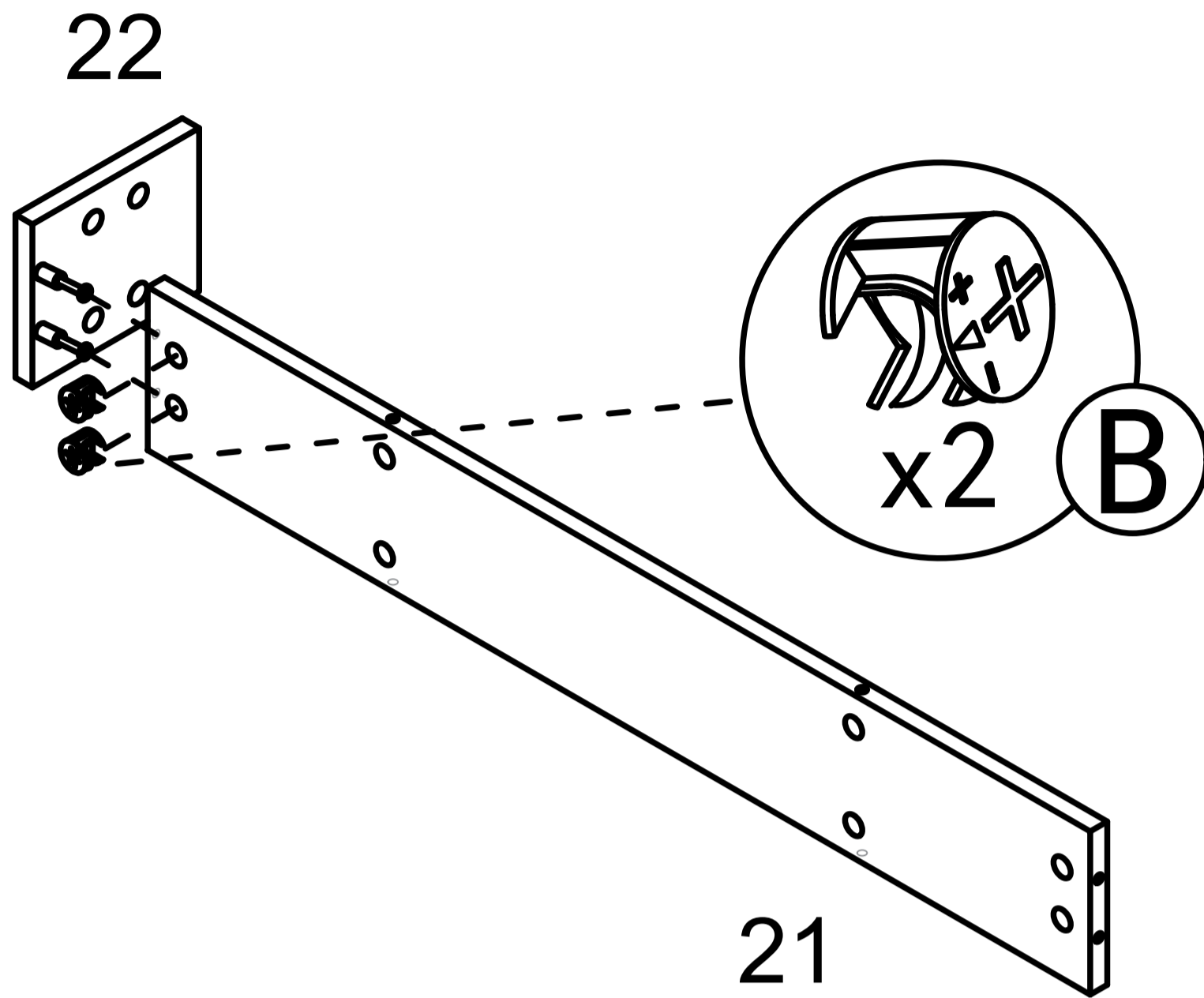


Step 79




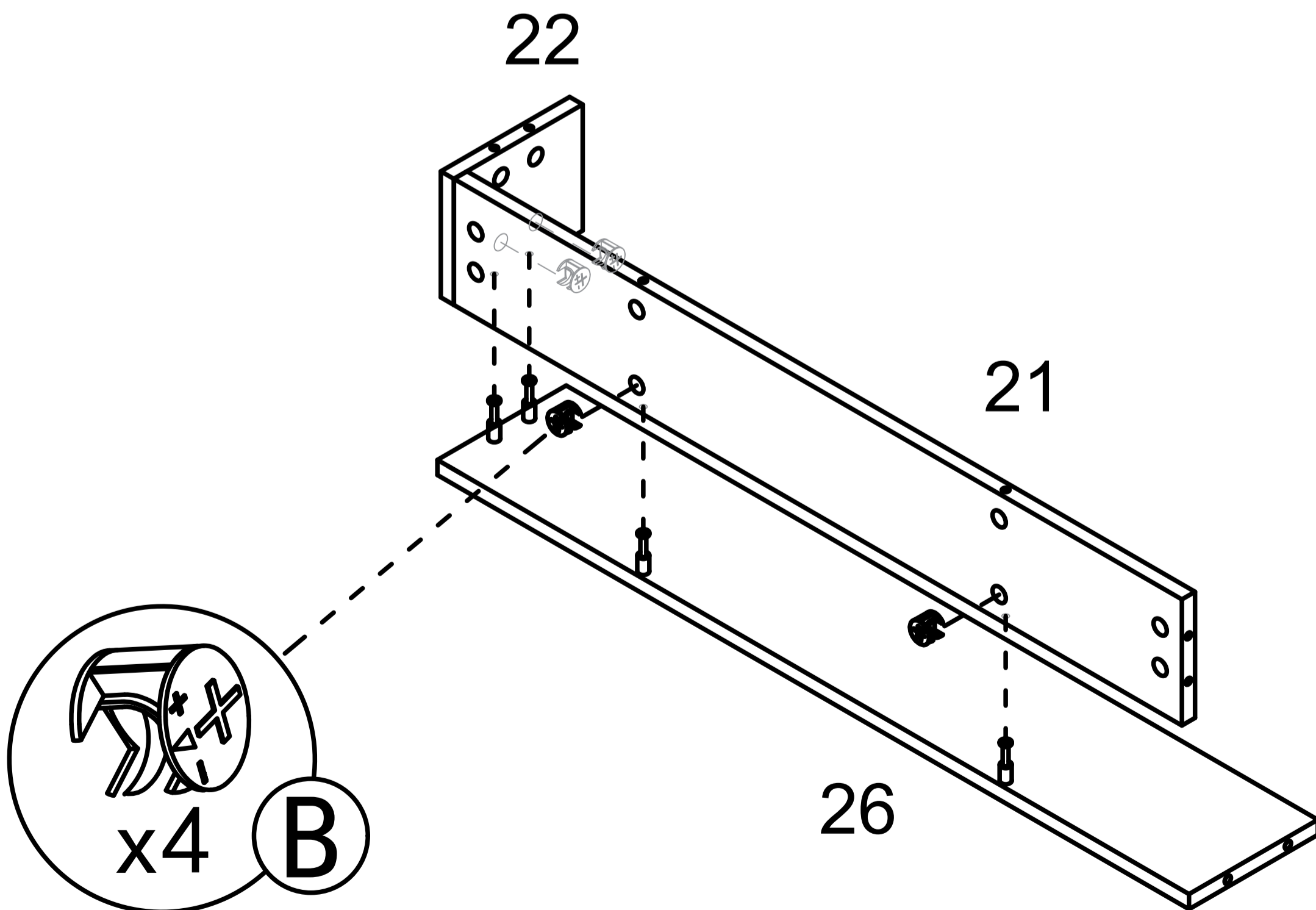
Step 80

Ⓑ  x2

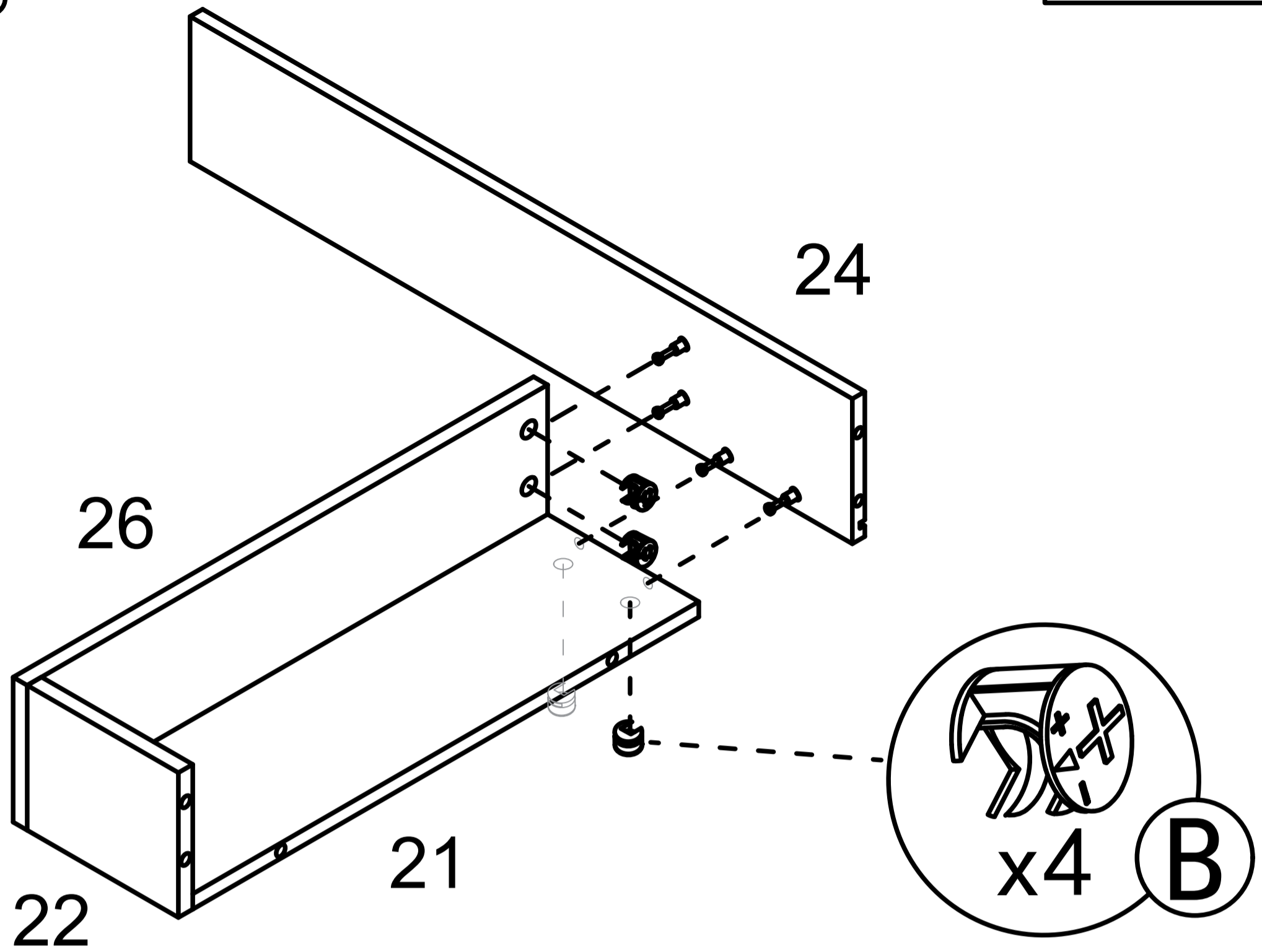
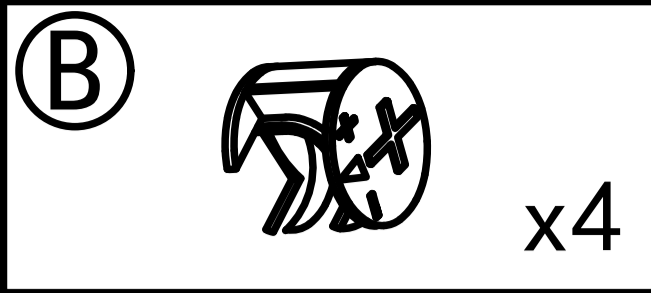


Step 81

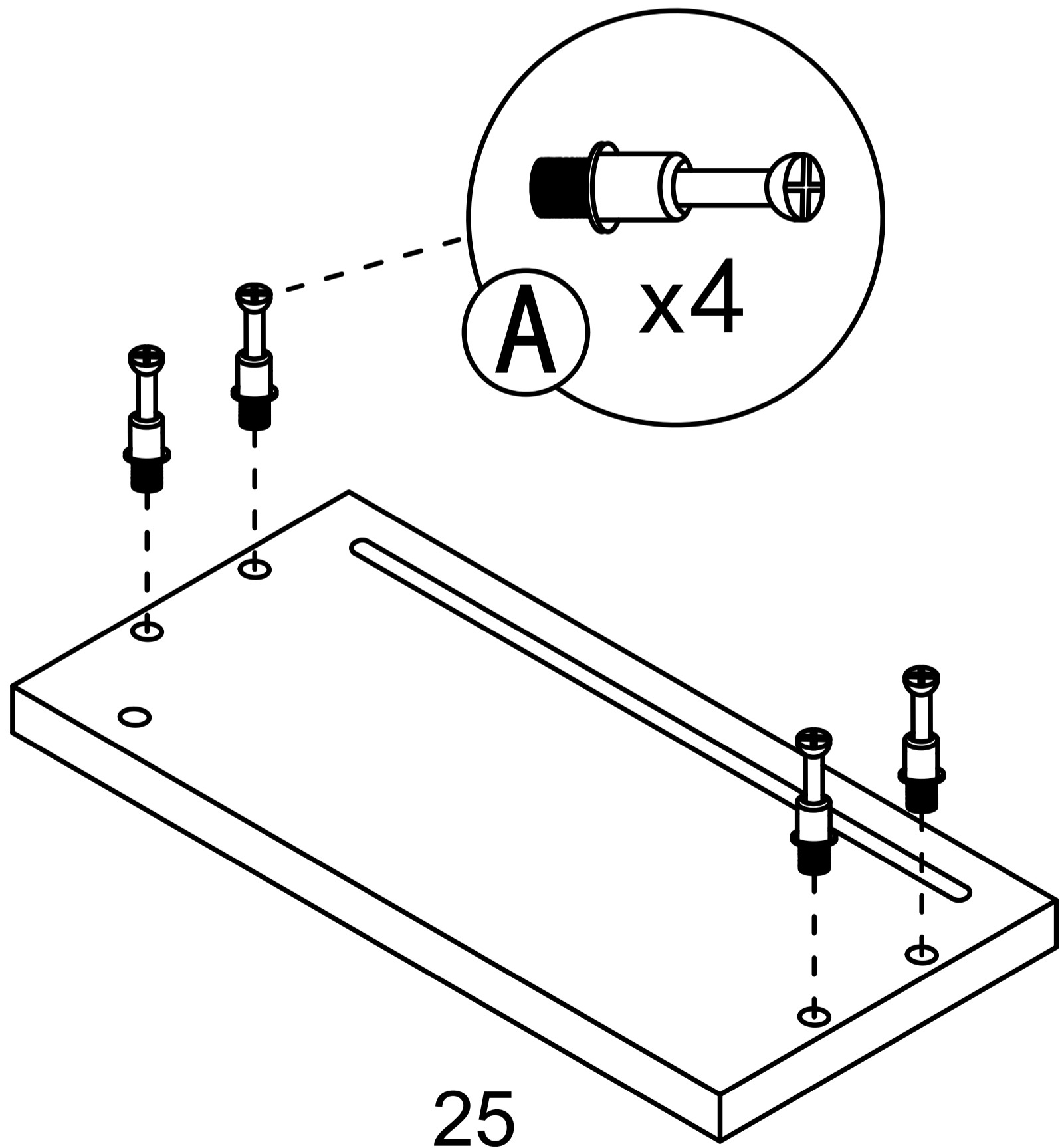
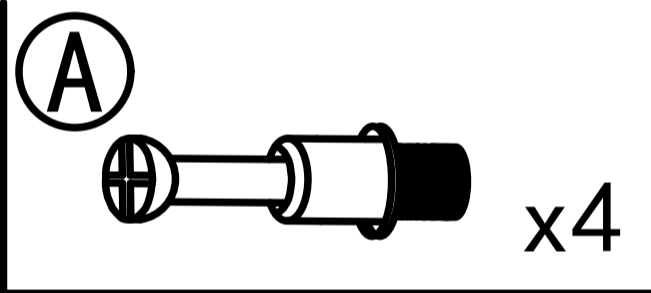
Ⓑ  x4





Step 82

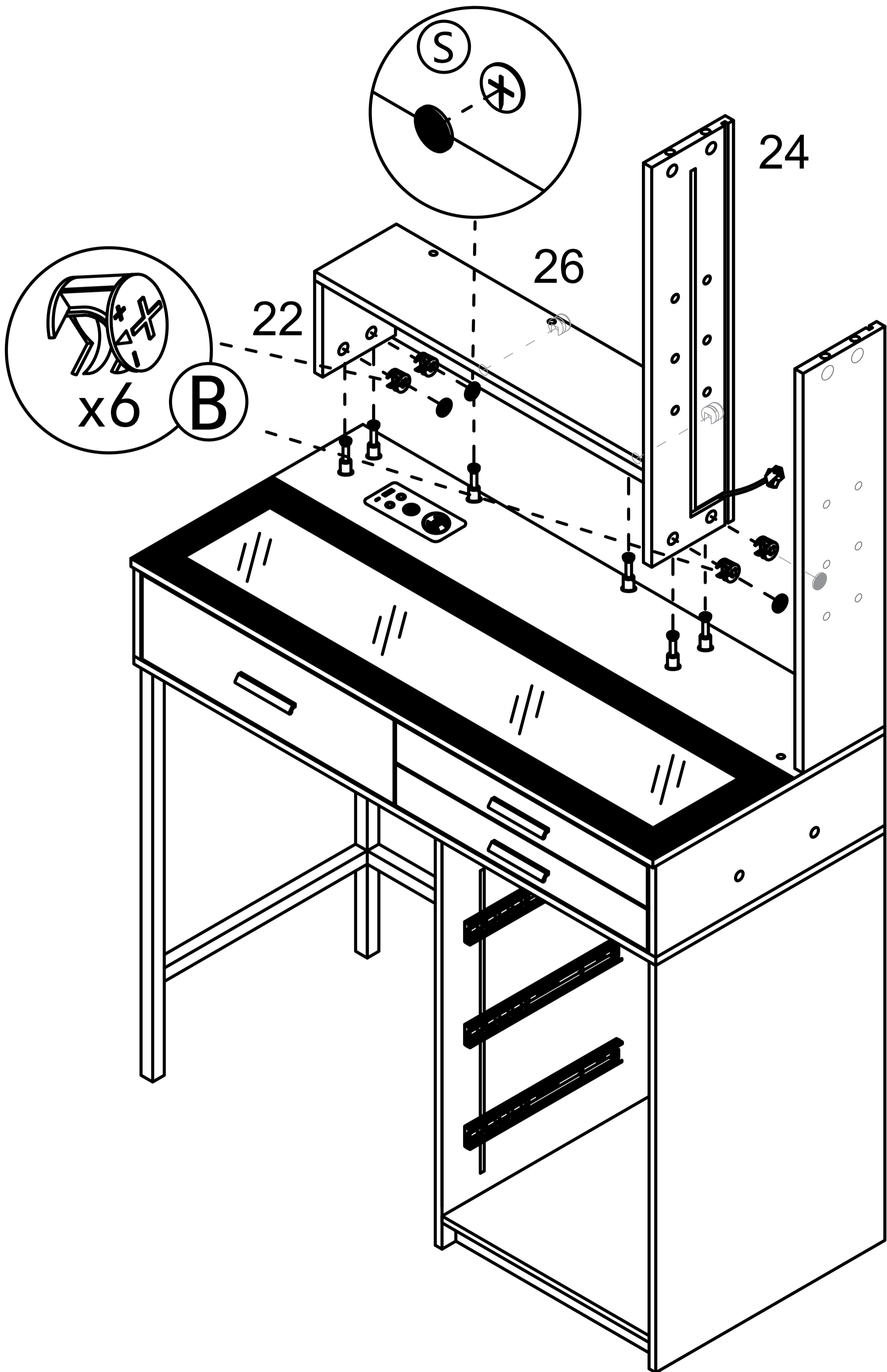


Step 83

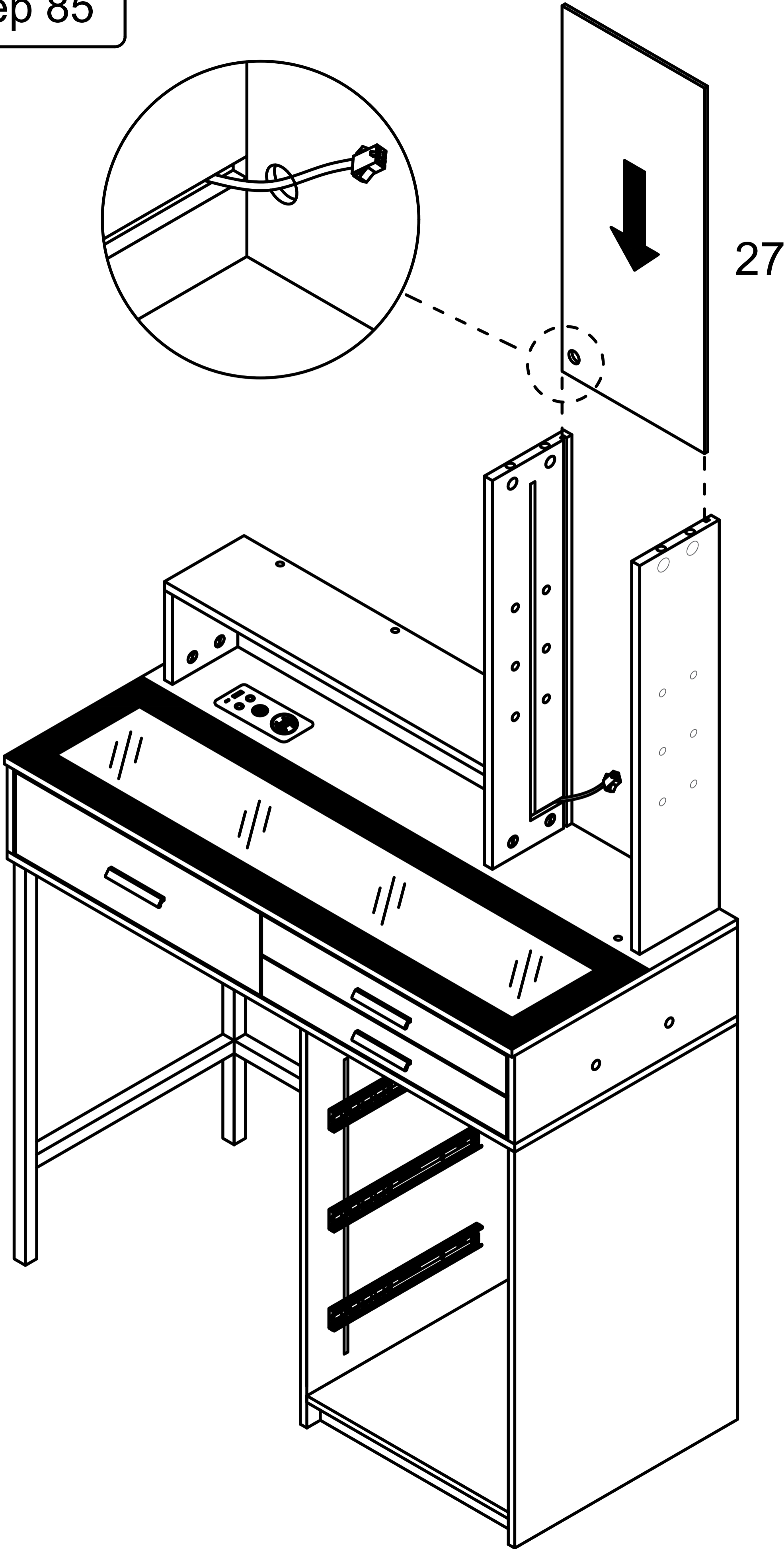


Step 84

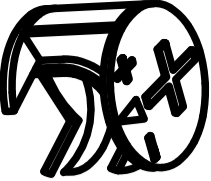
- (B)  x6
- (S)  x4

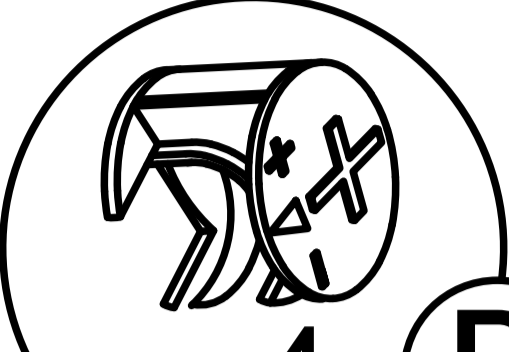


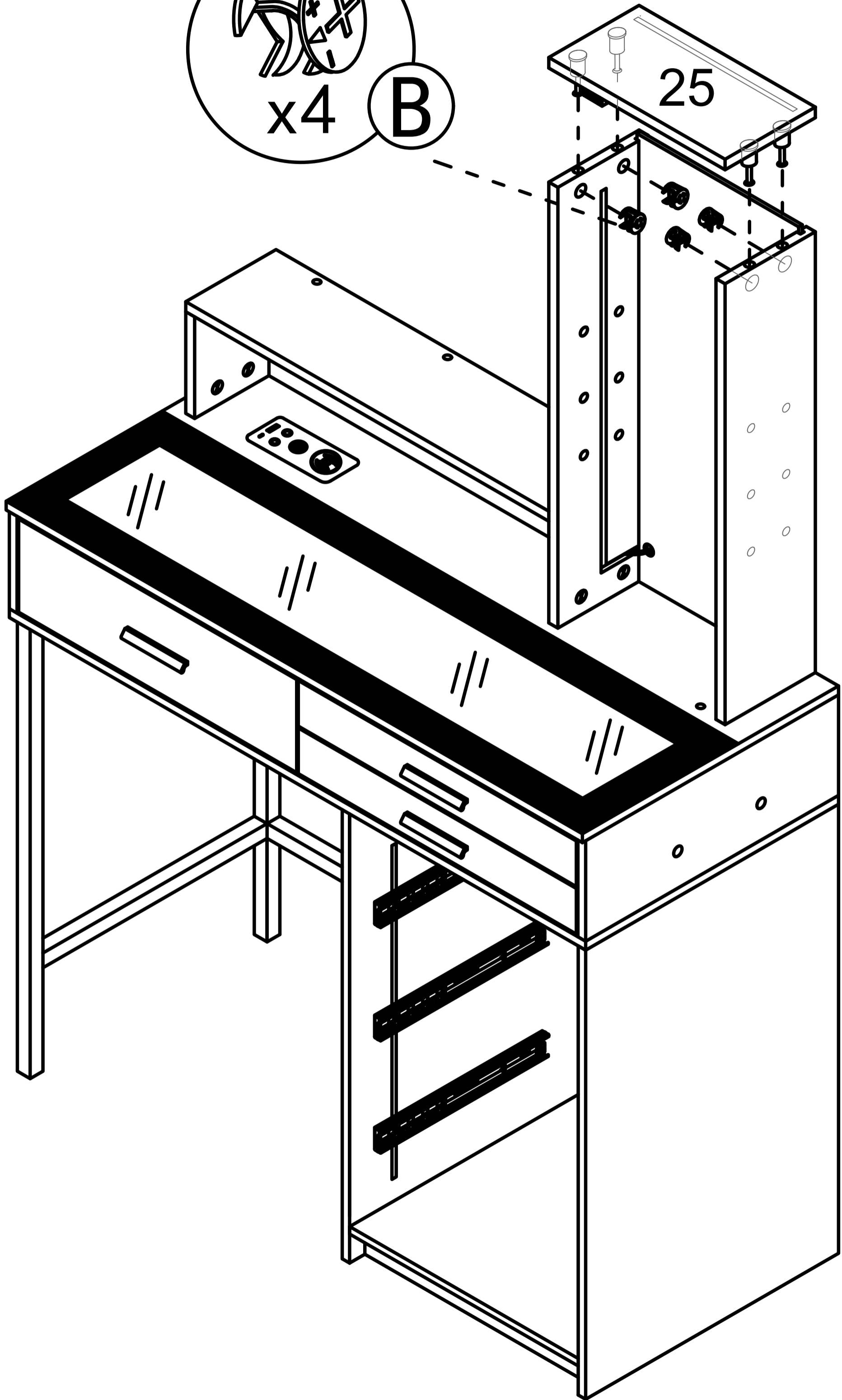
Step 85



Step 86

Ⓑ  x4

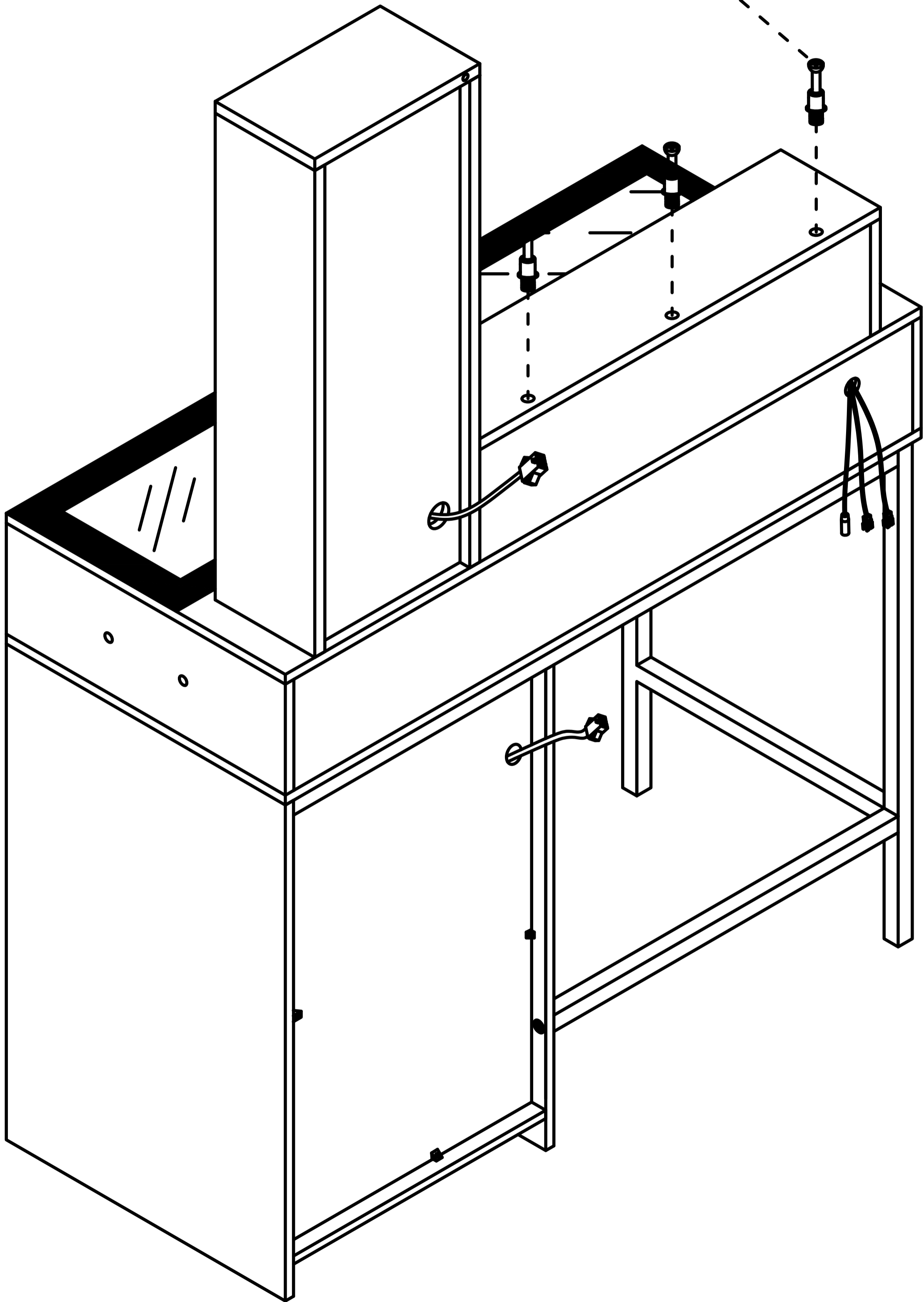
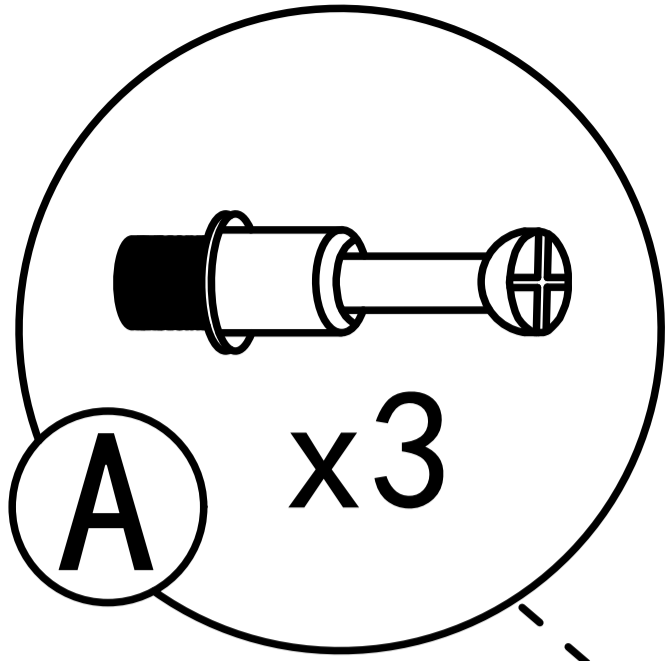
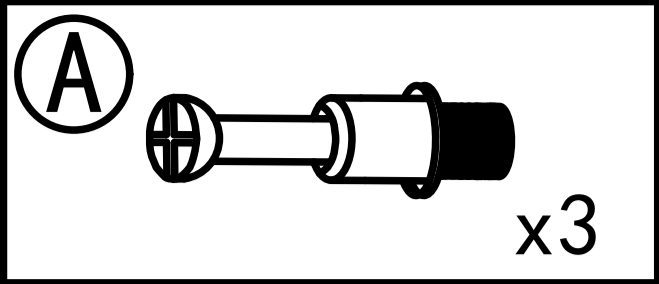
 x4 Ⓑ




55

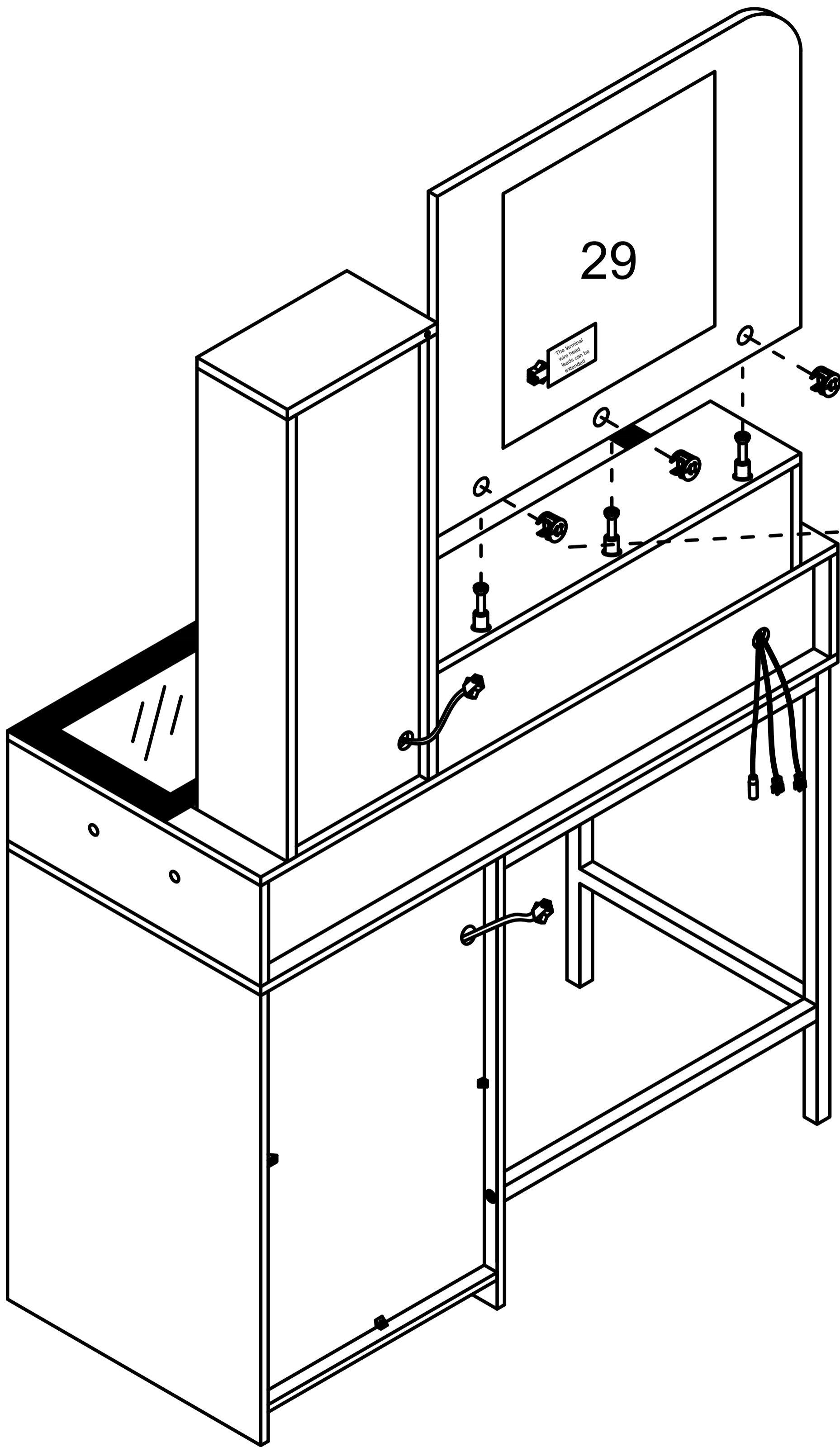
SY

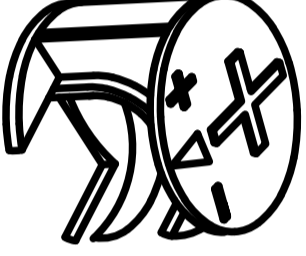
Step 87



Step 88

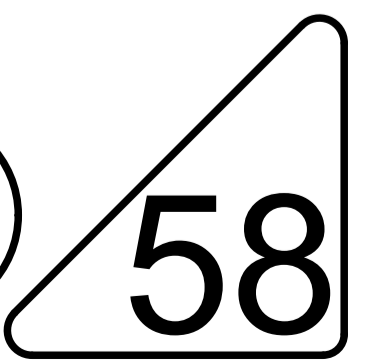
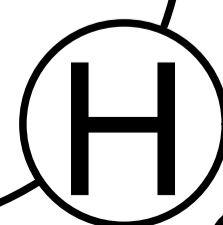
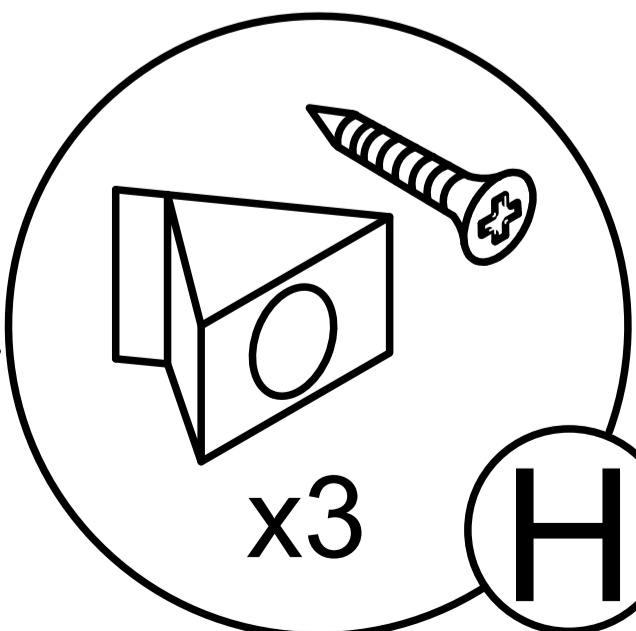
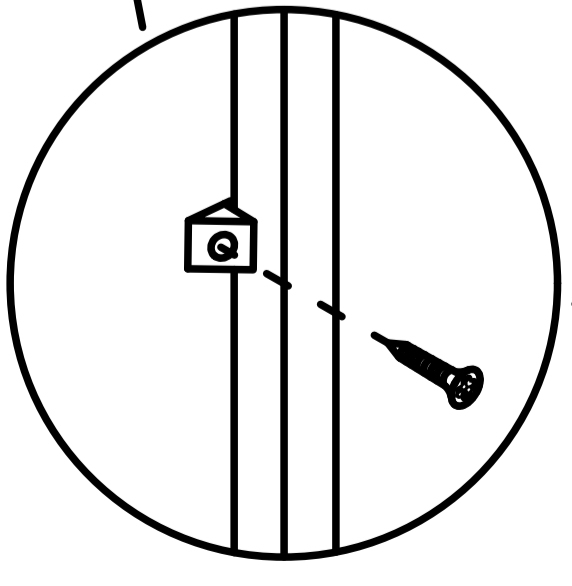
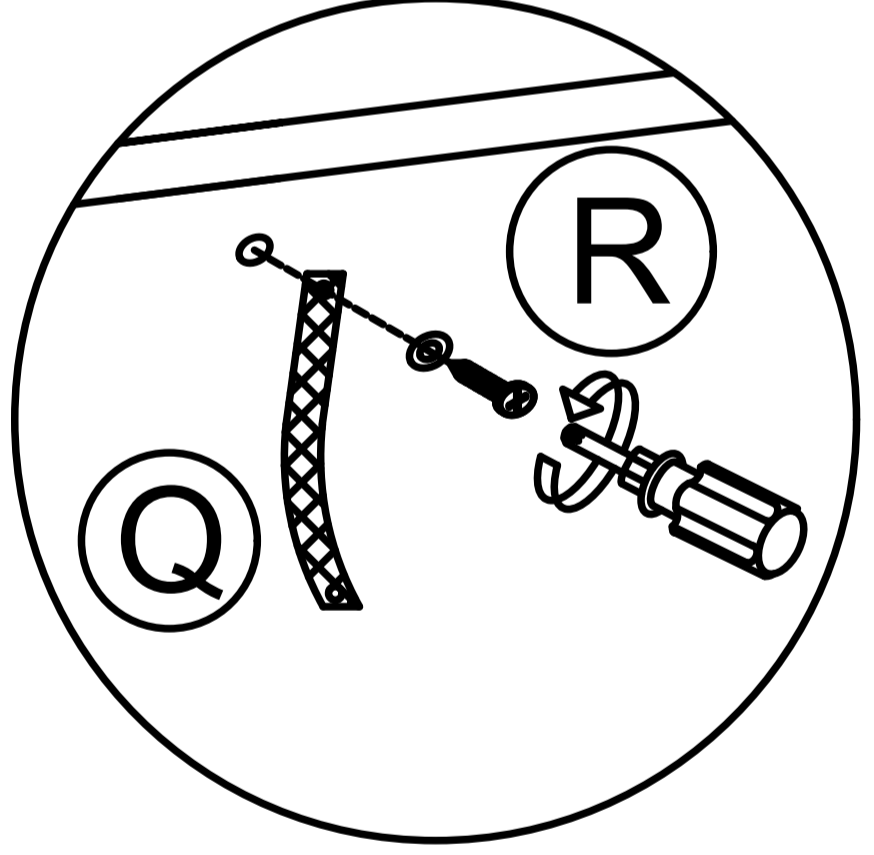
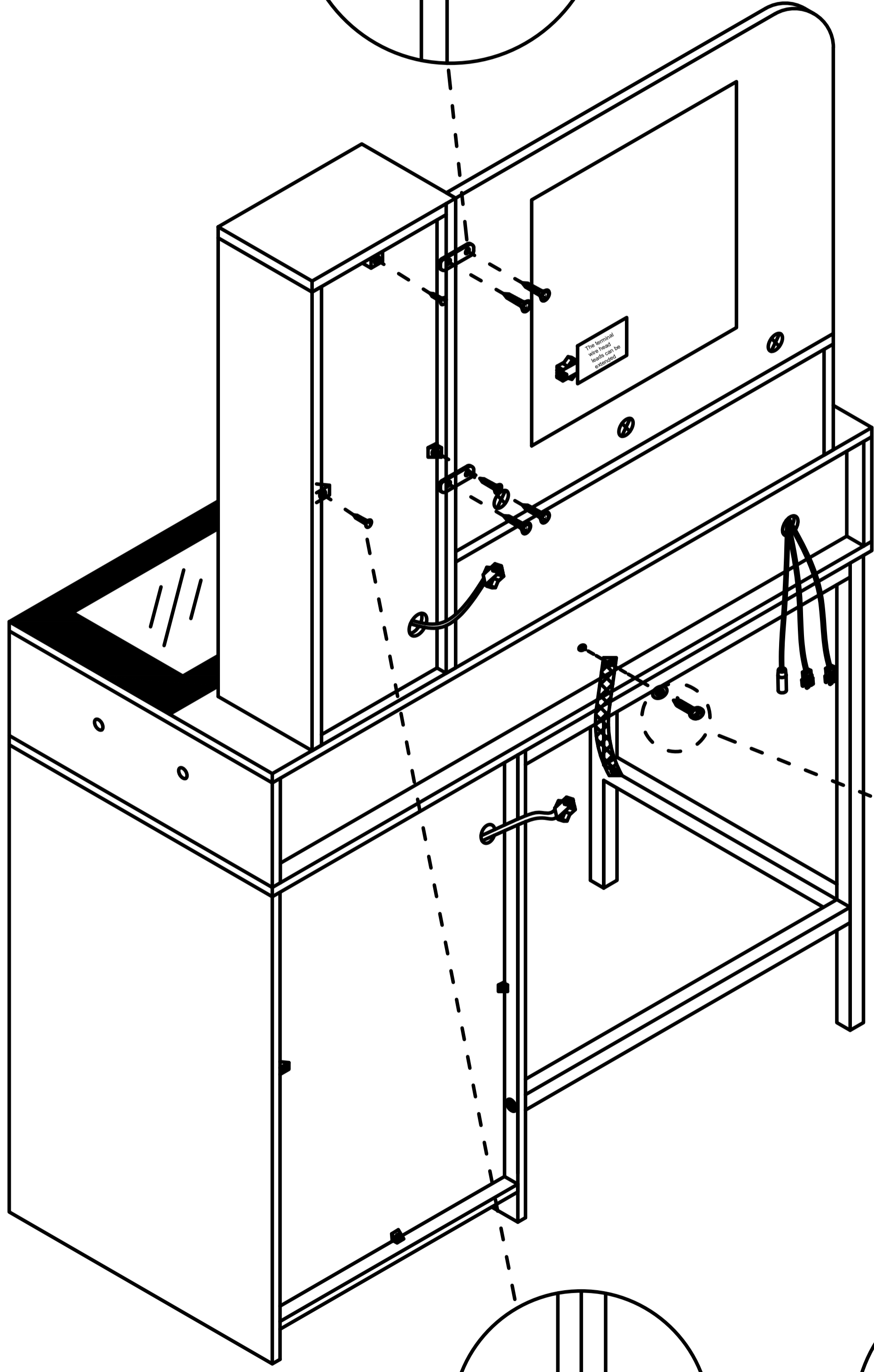
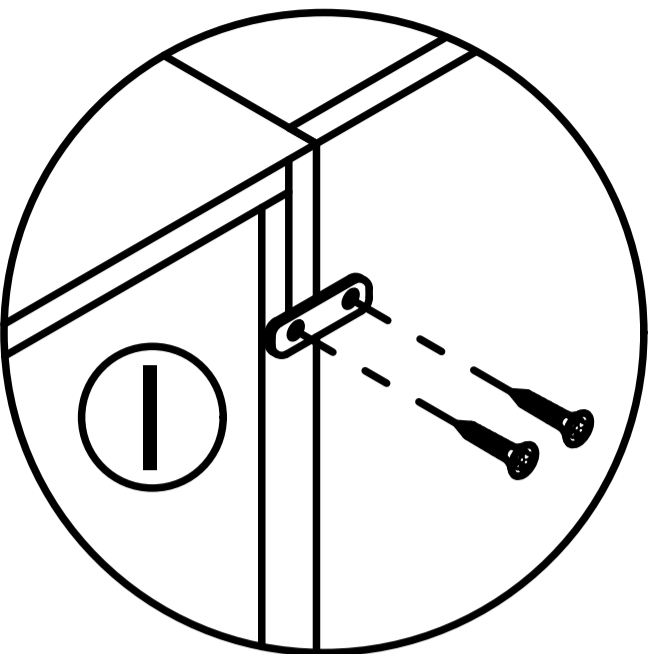
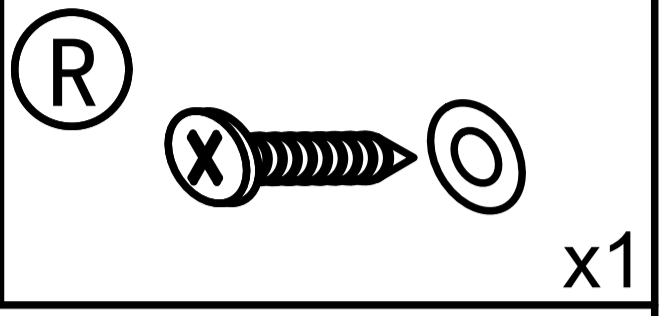
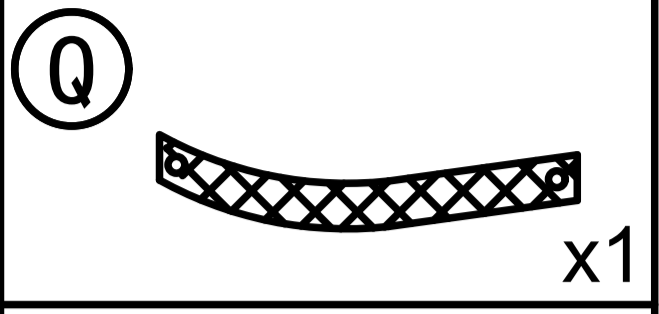
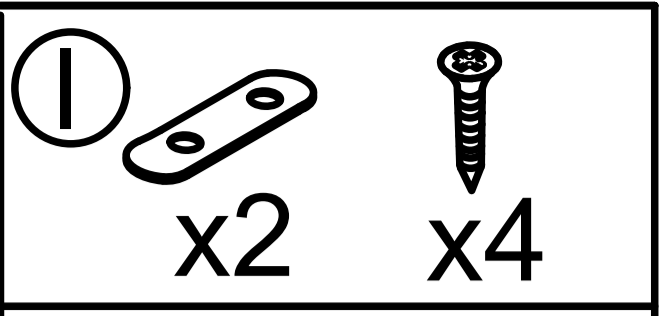
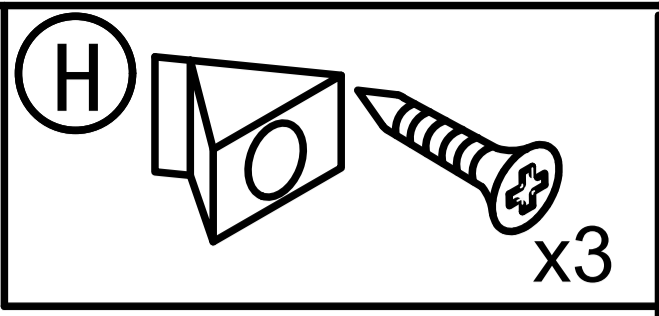
(B)  x3



  
x3 (B)

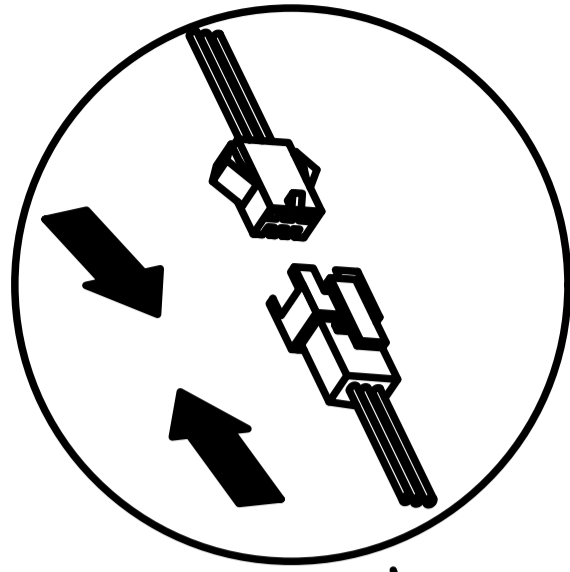
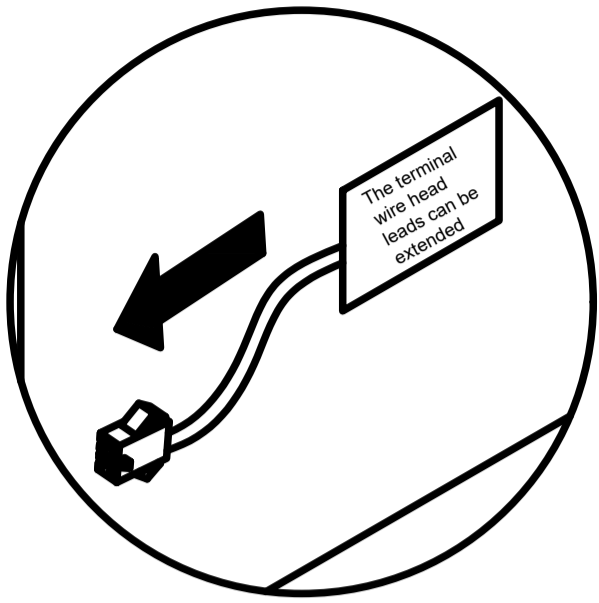
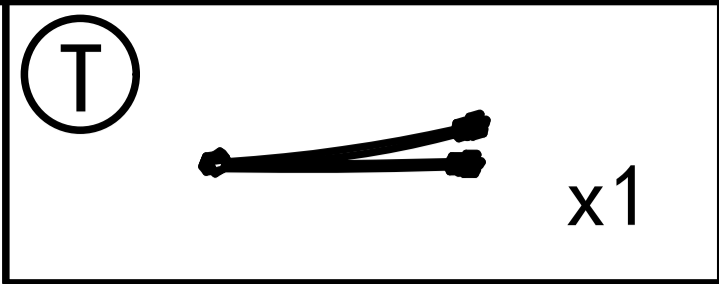
57

Step 89

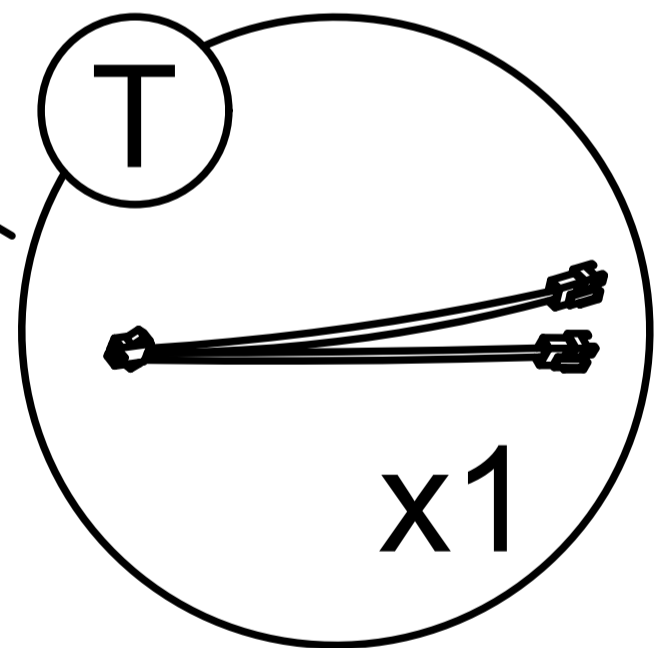
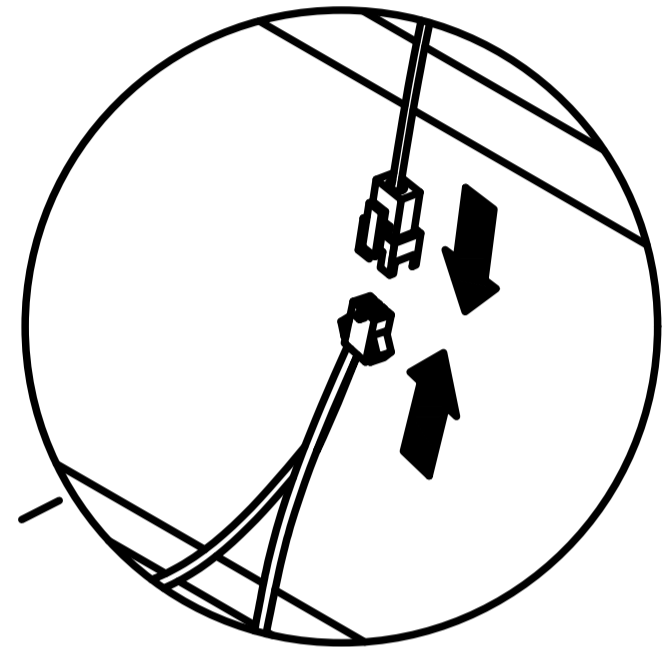
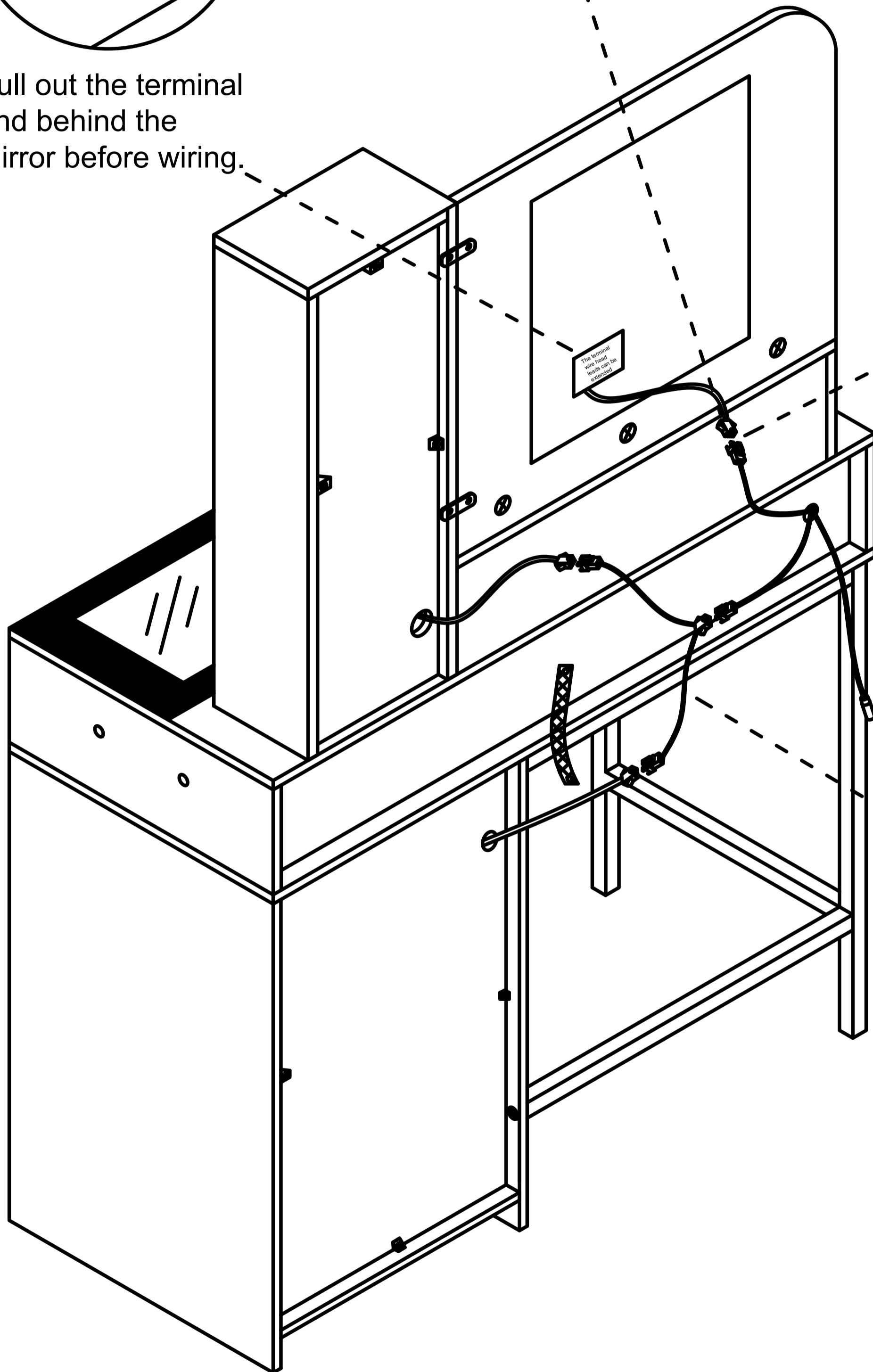


SY

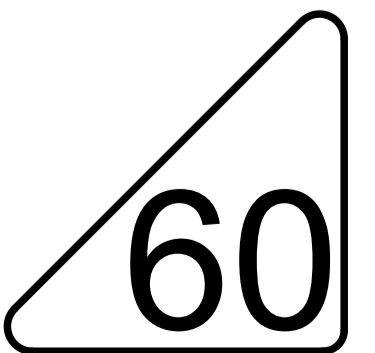
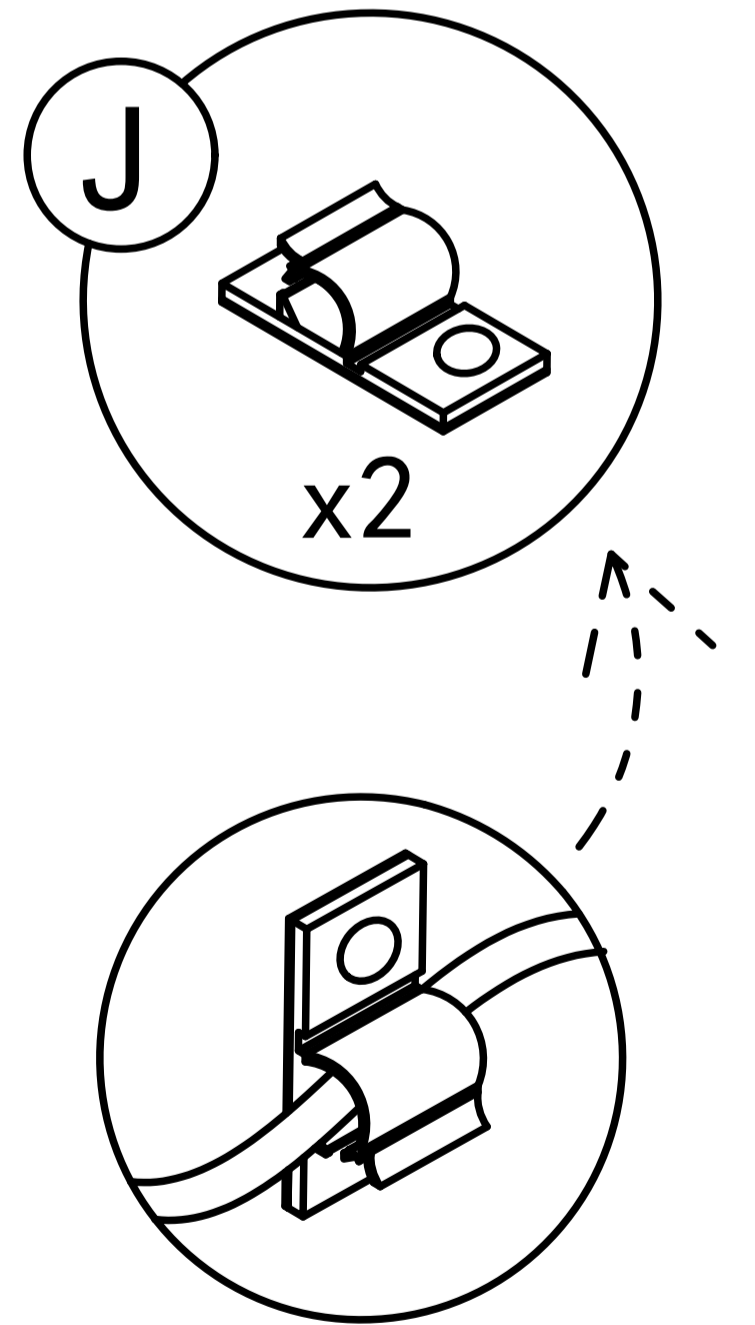
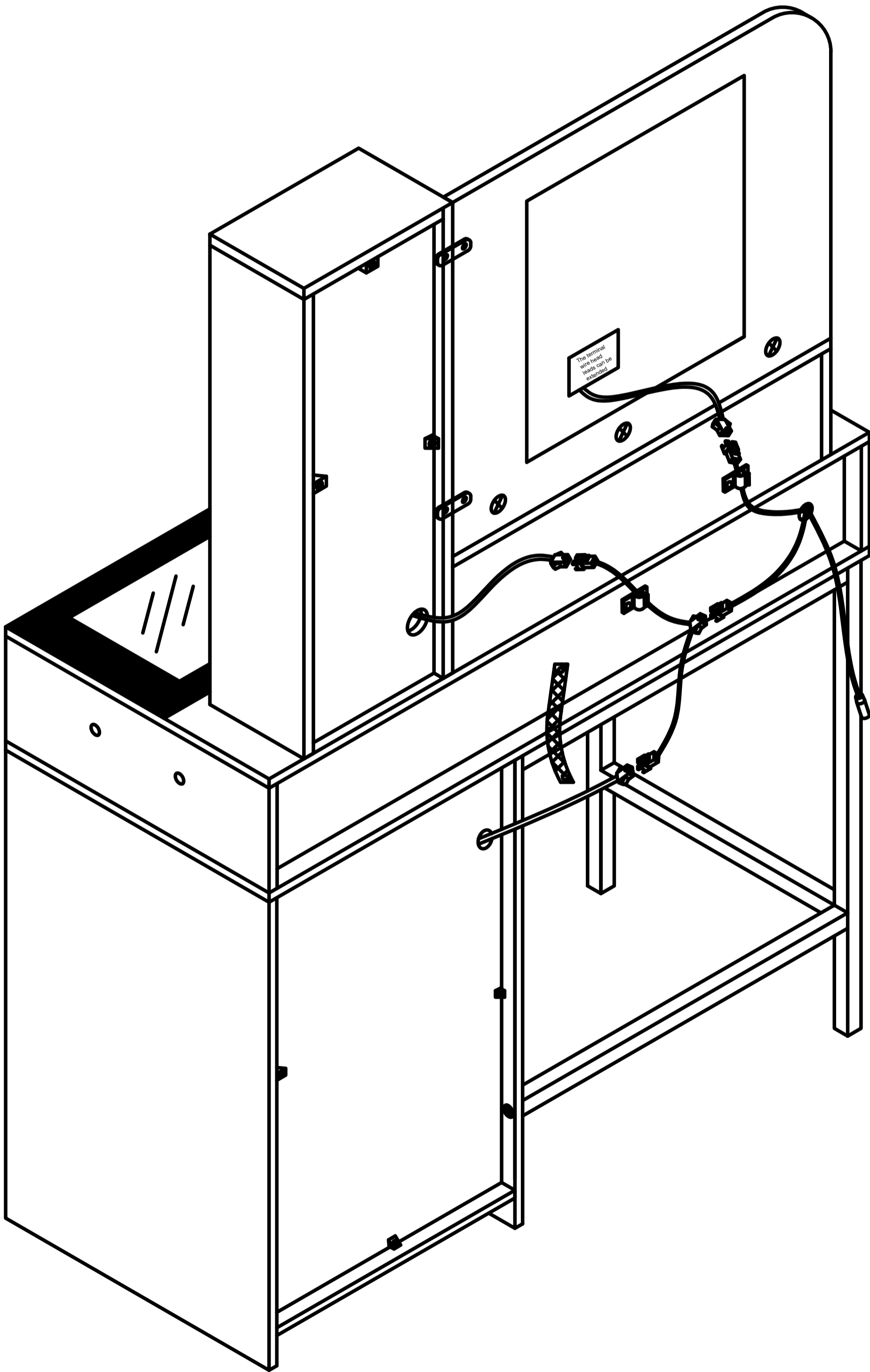
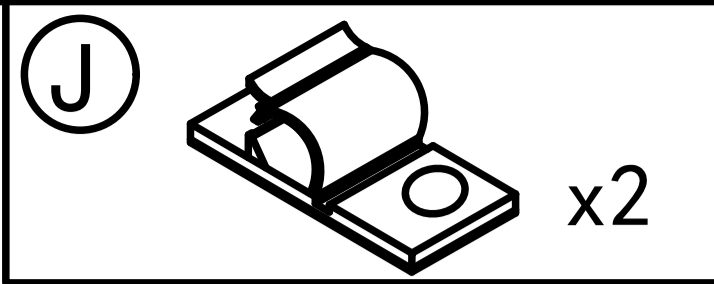
# Step 90



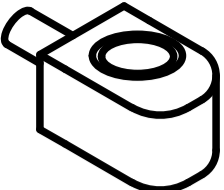
Pull out the terminal end behind the mirror before wiring.

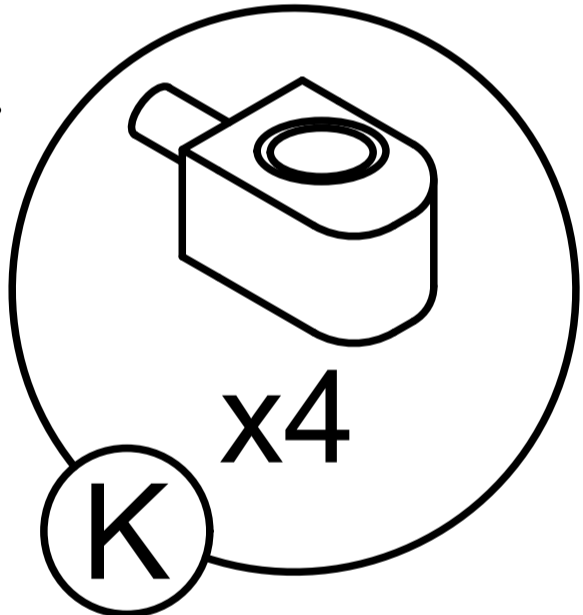
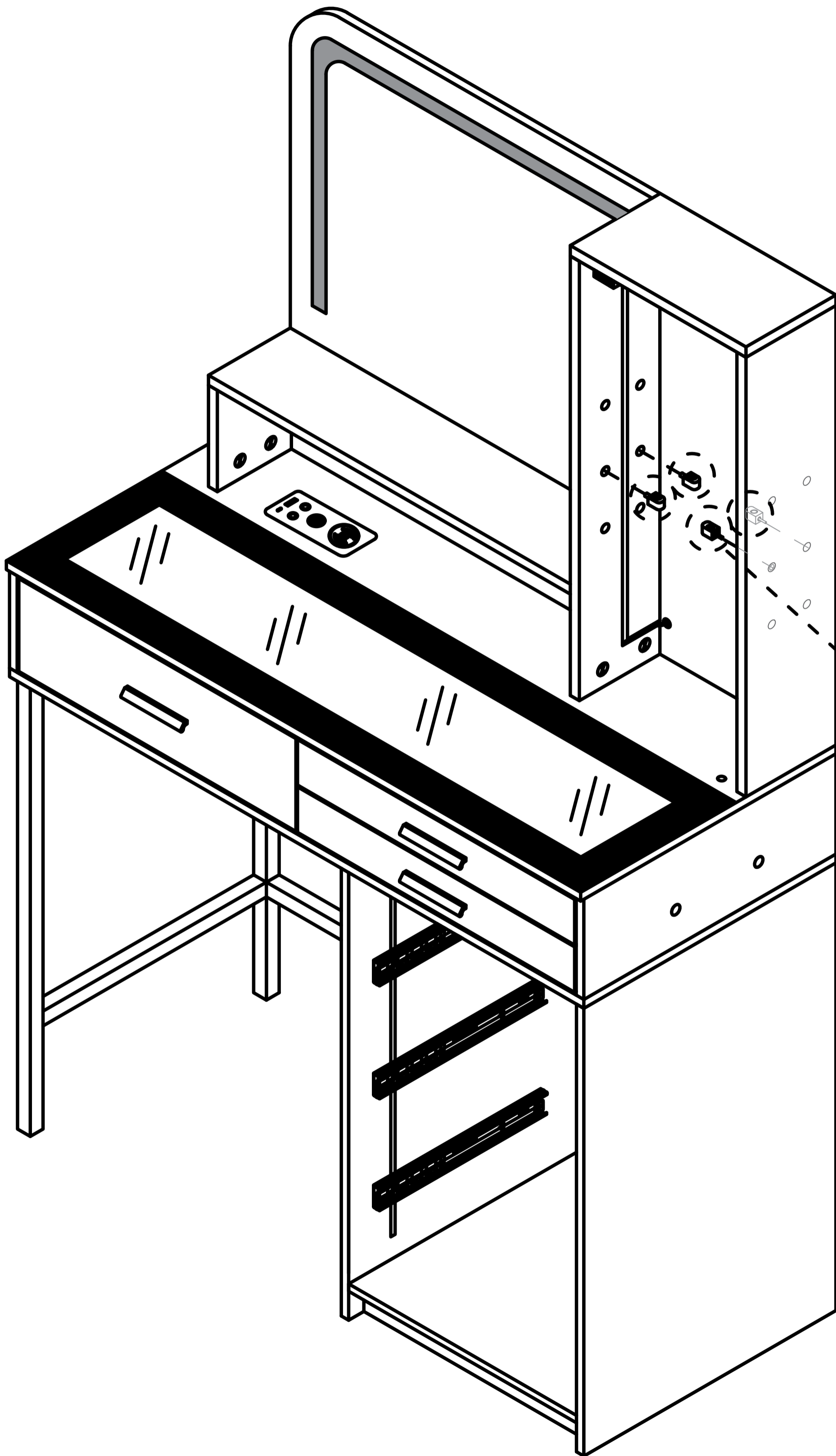


Step 91

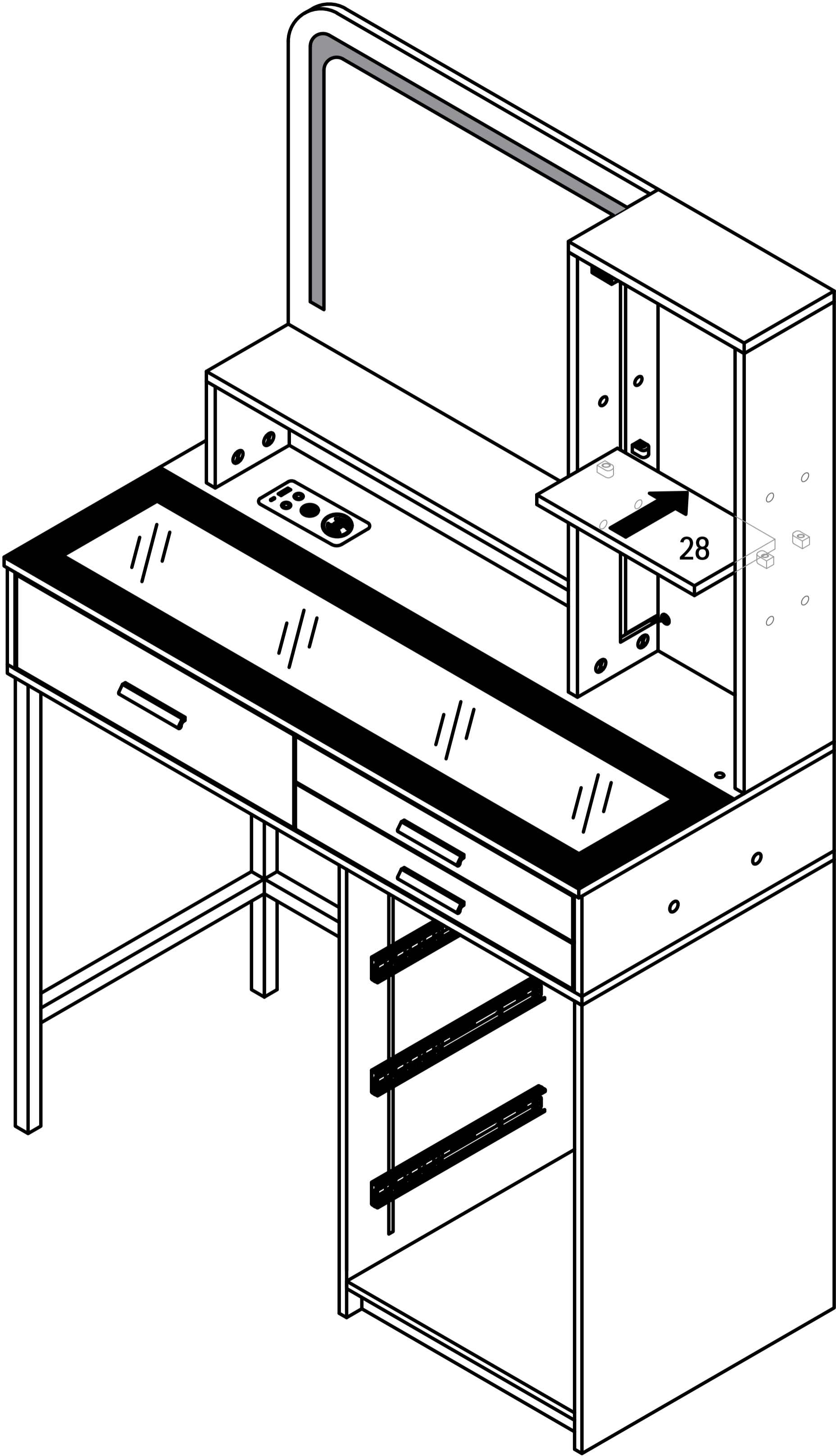


Step 92

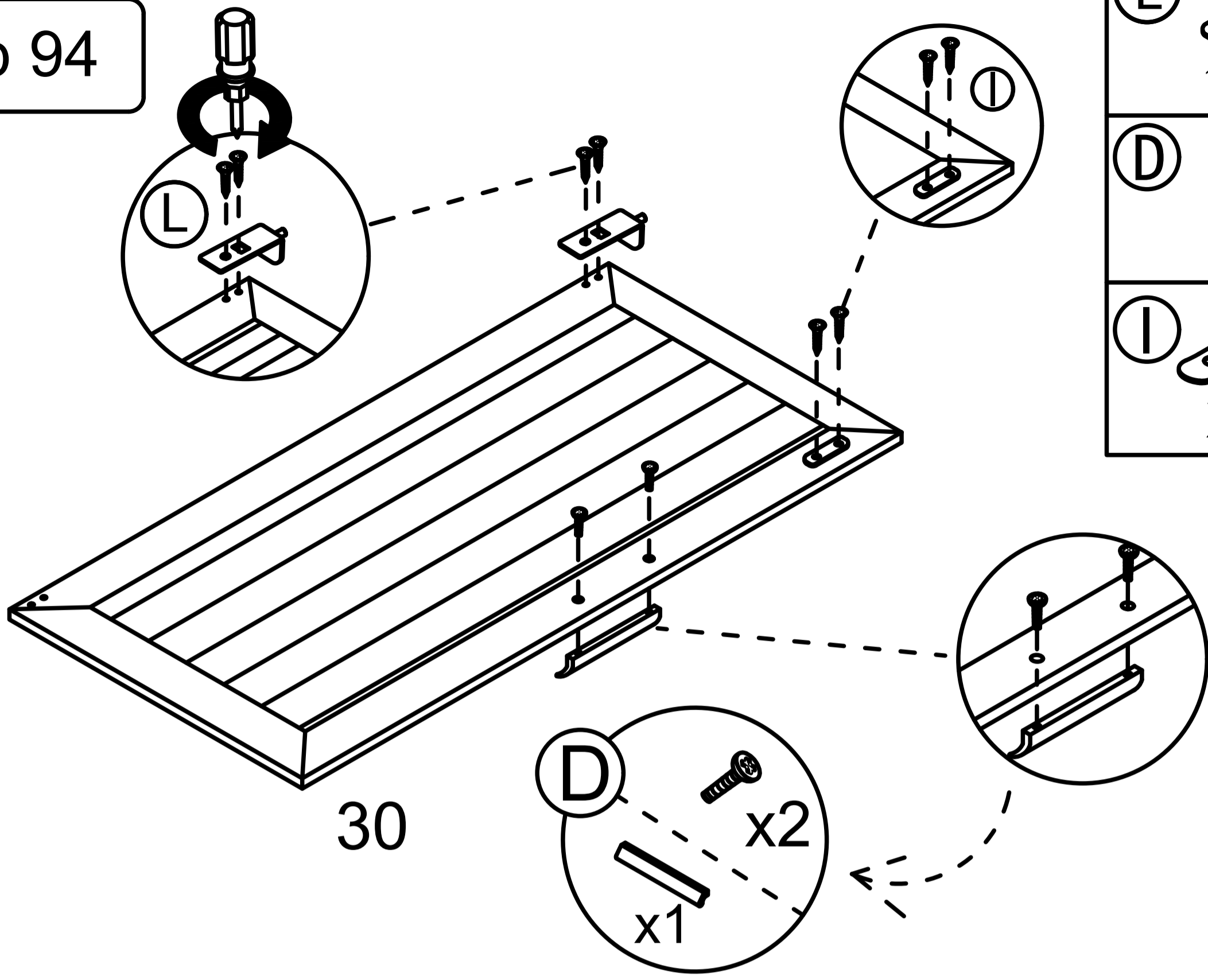
(K)  x4



Step 93

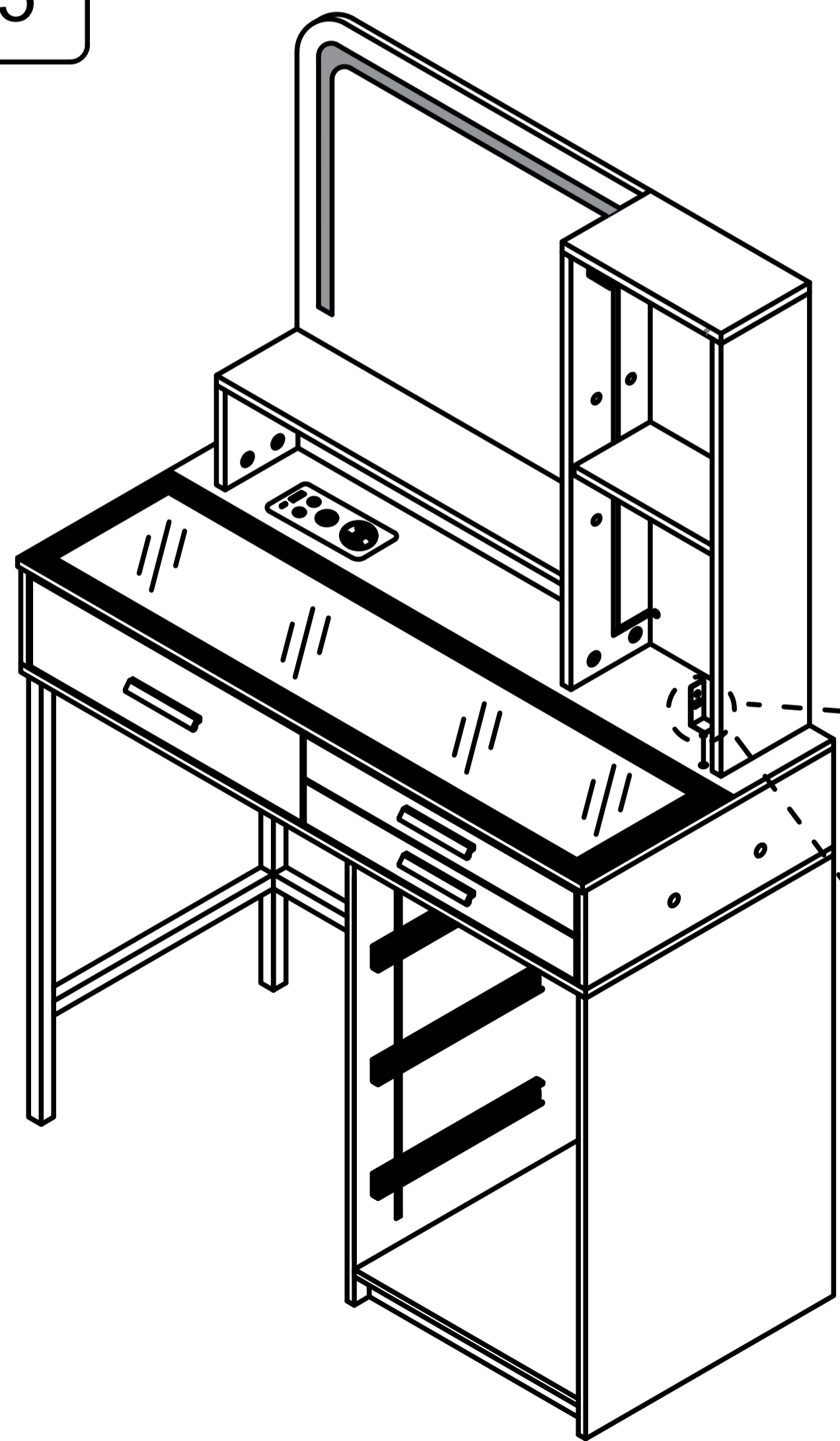


Step 94

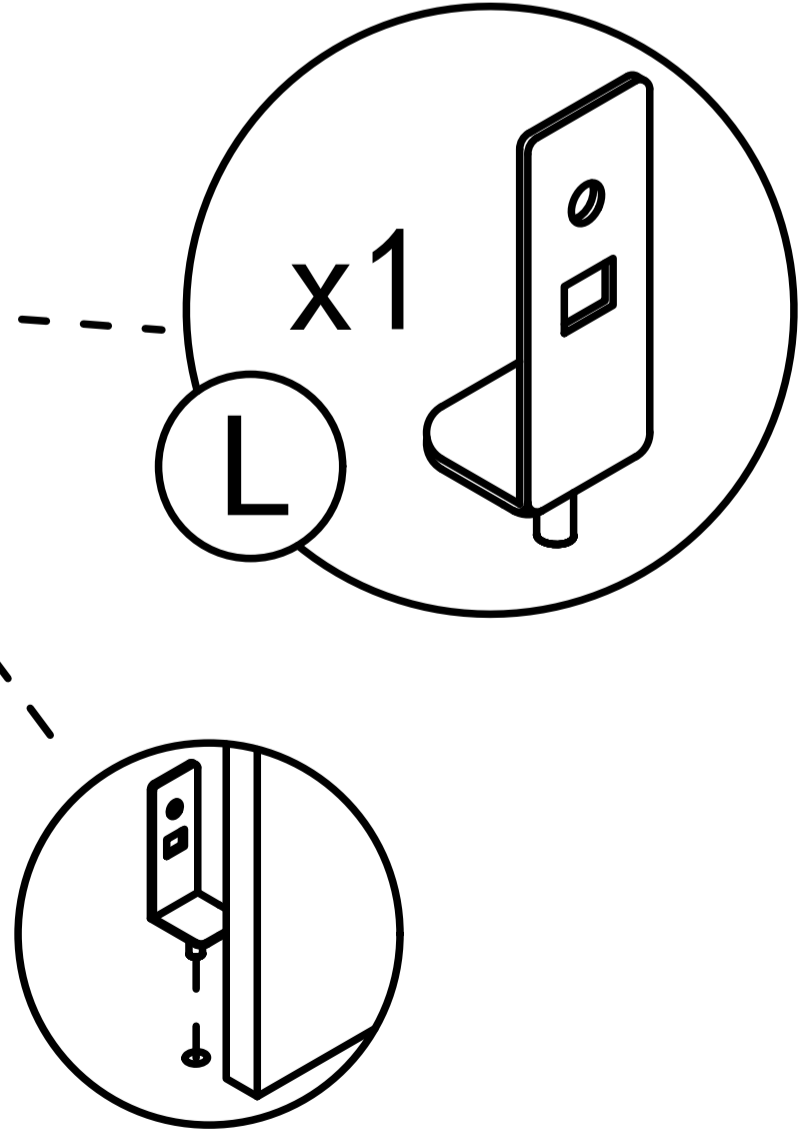


- (L) 1pcs [L-shaped bracket] 2pcs [Screw] x1
- (D) [D-shaped bracket] x1 [Screw] x2
- (I) [I-shaped bracket] x1 [Screw] x2

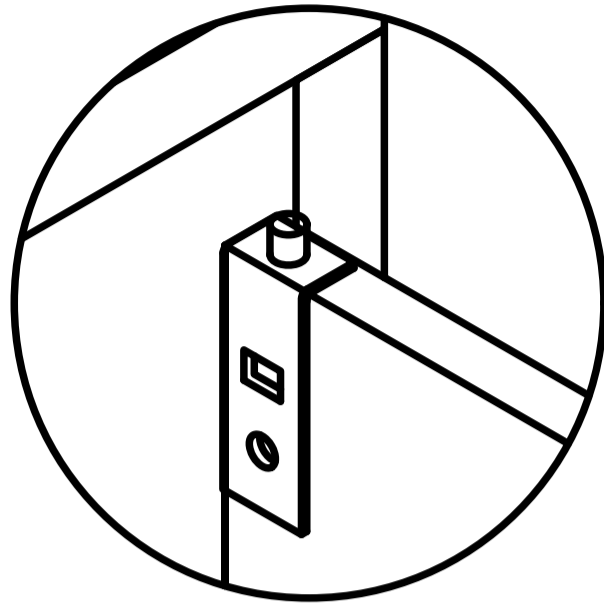
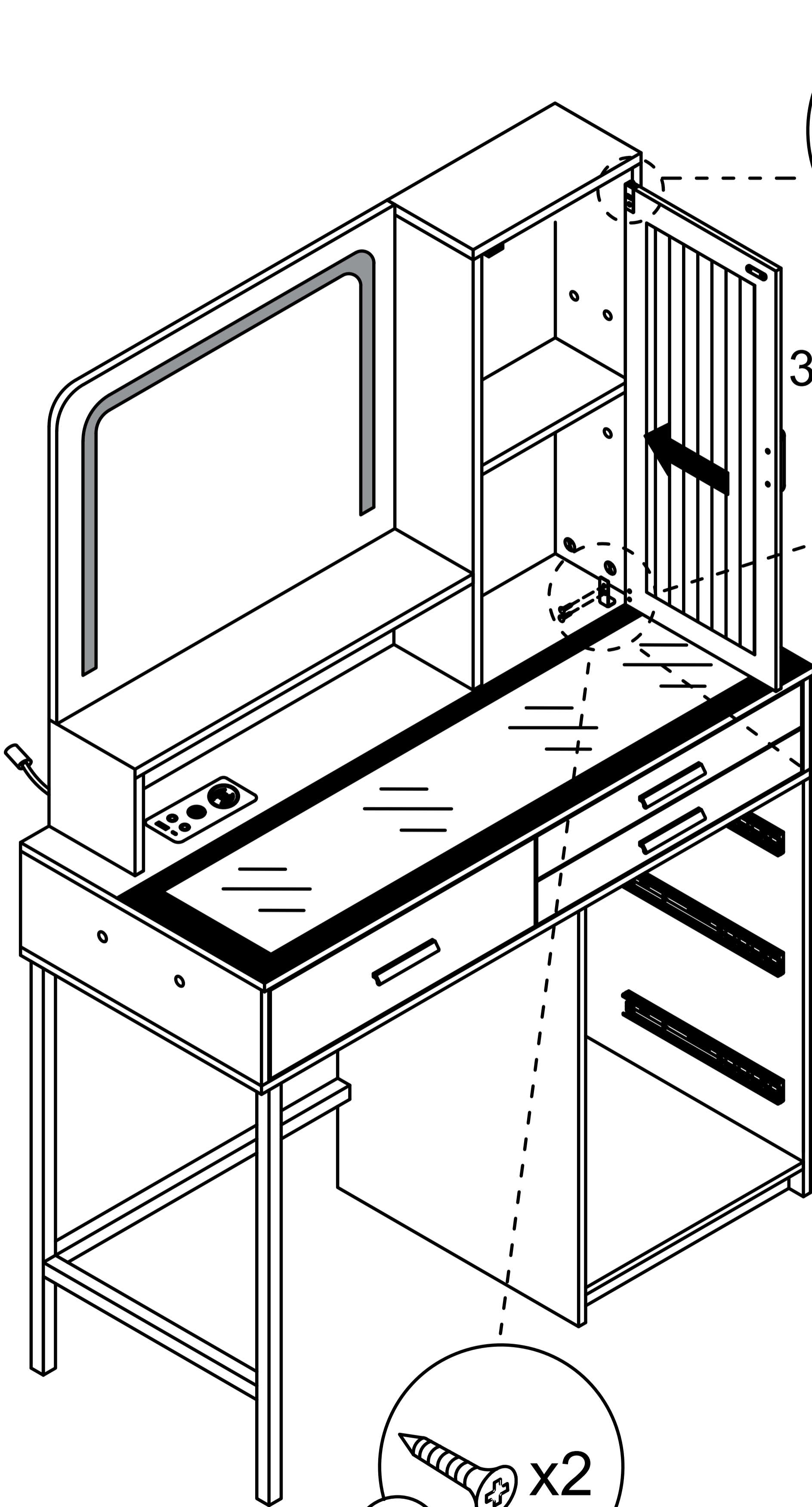
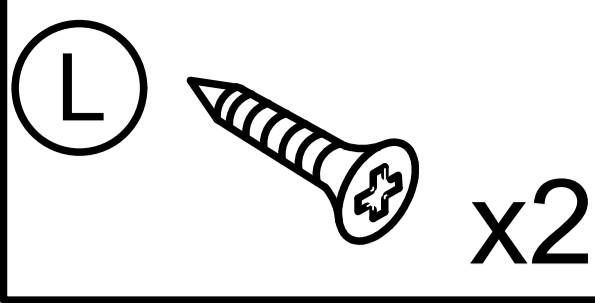
Step 95



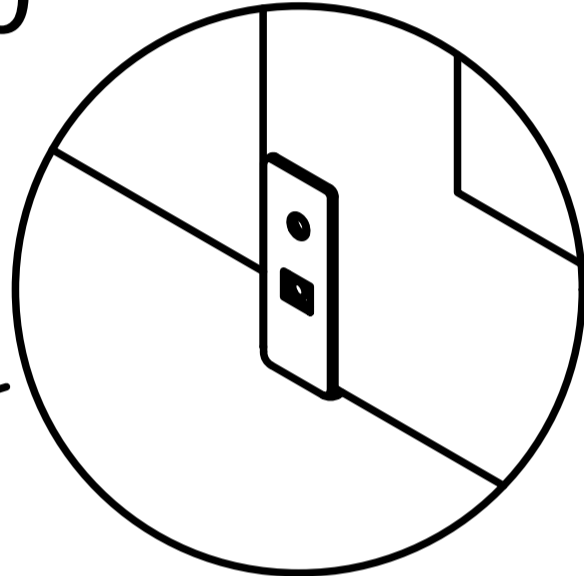
- (L) [L-shaped bracket] 1pcs x1



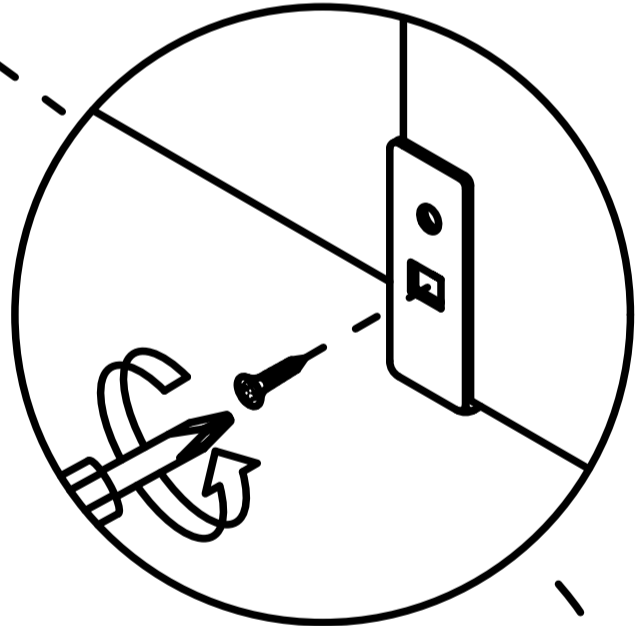
Step 96



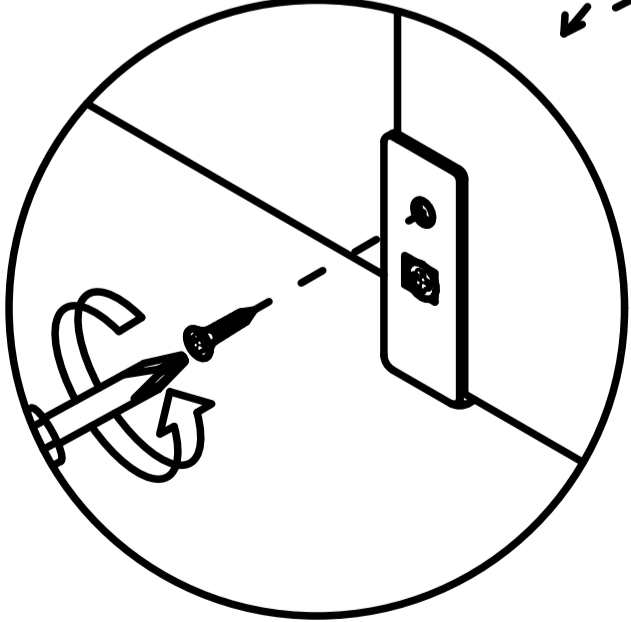
First



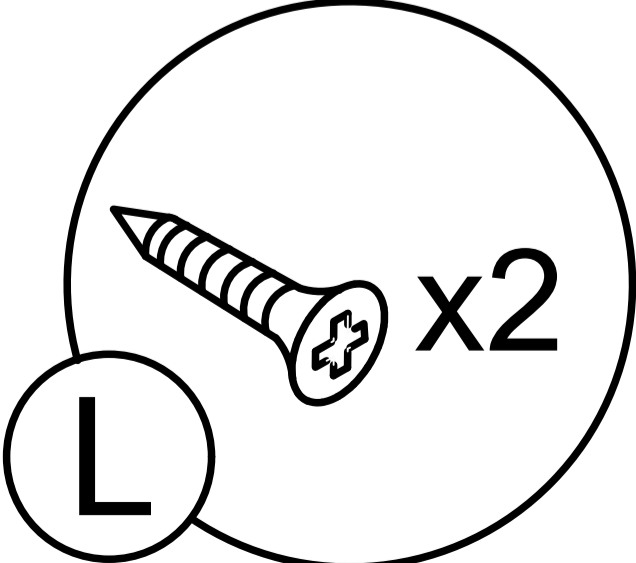
Second



Third



Fourth

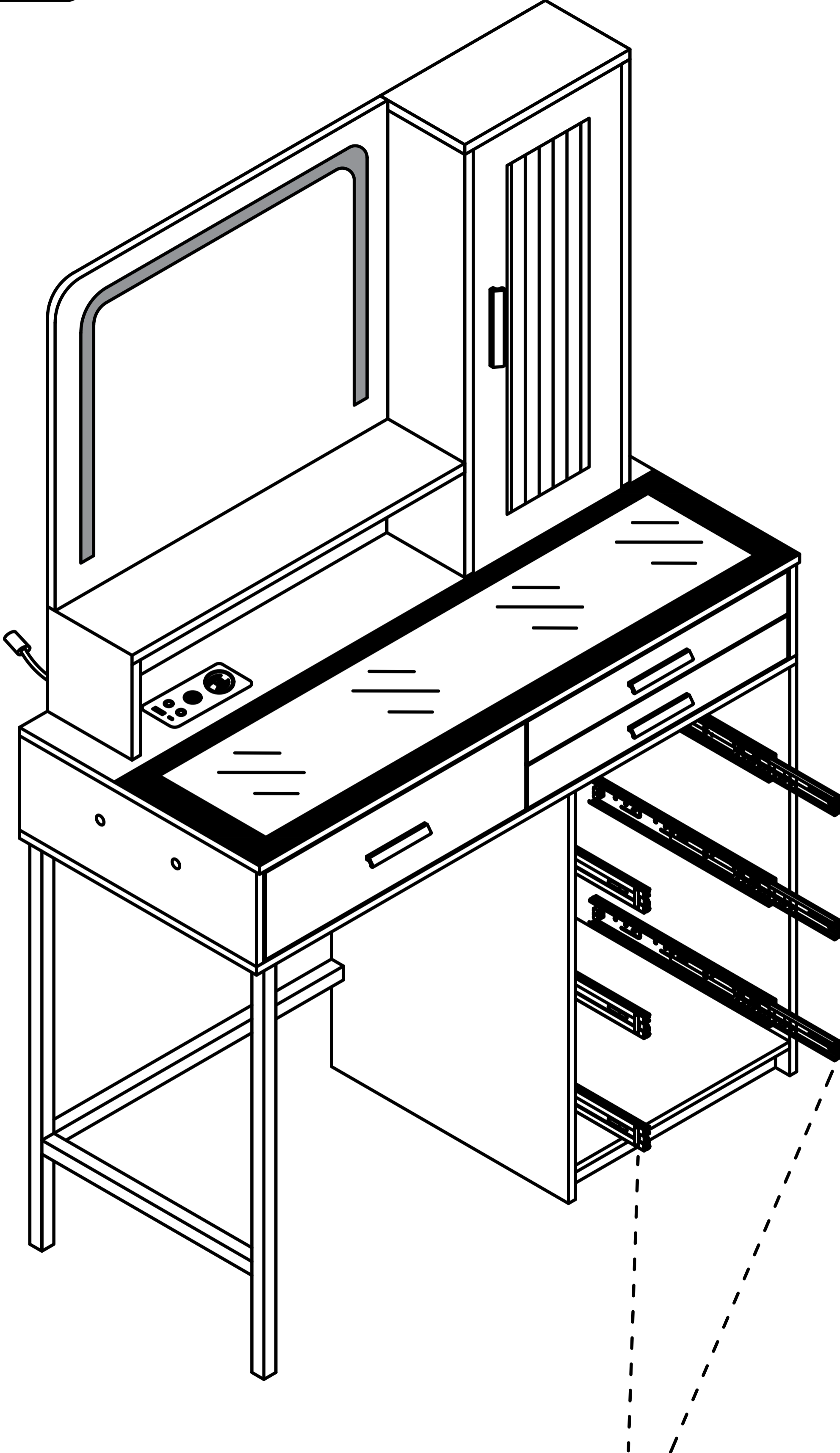


L

x2

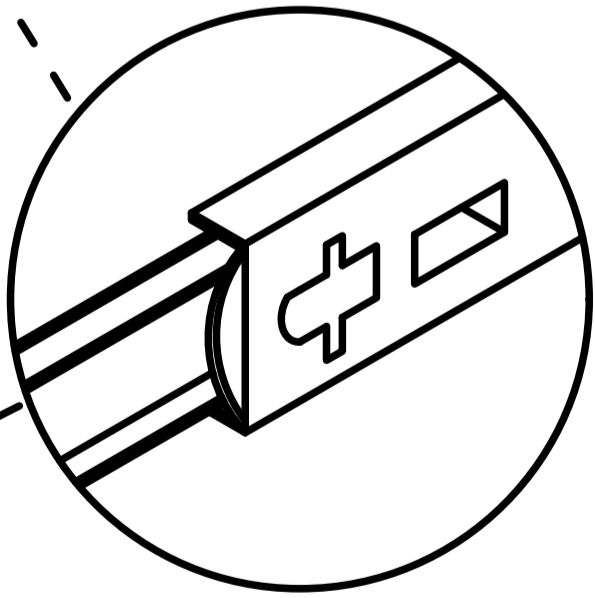
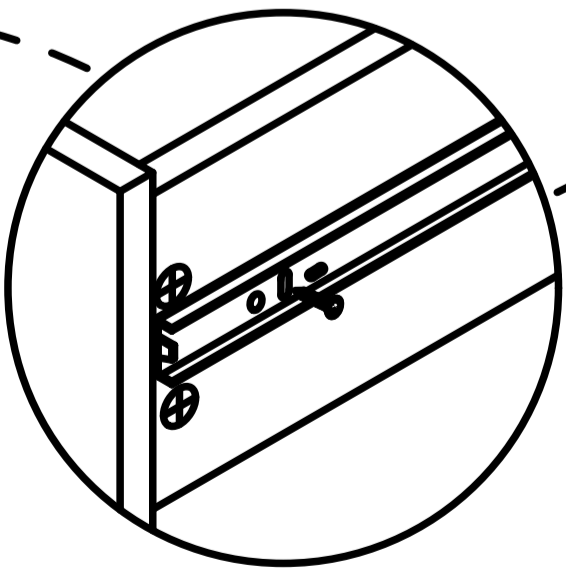
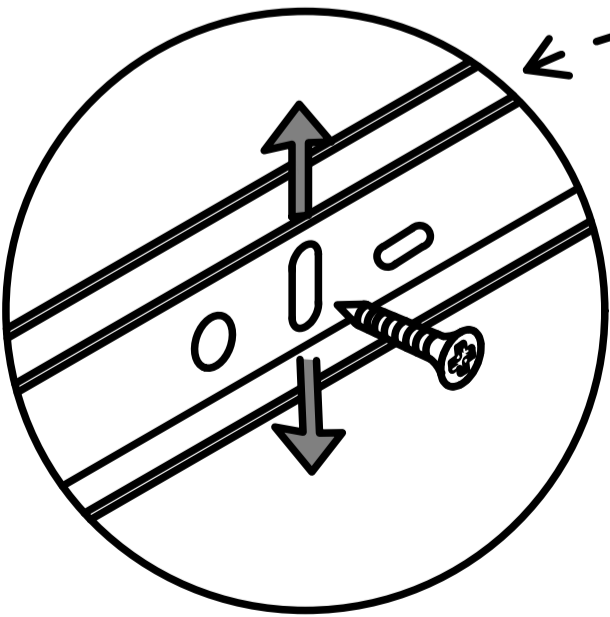
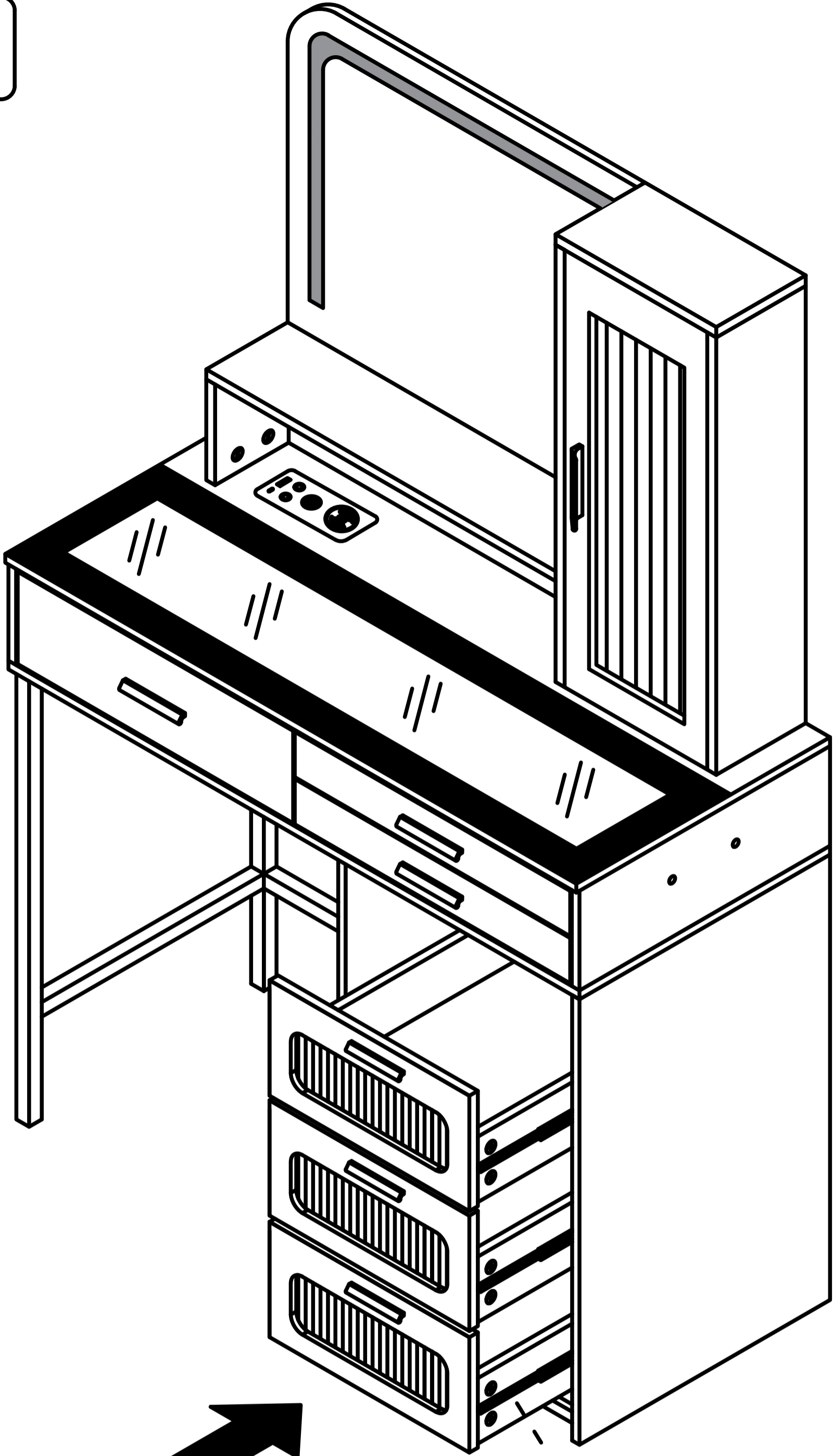
SY

Step 97



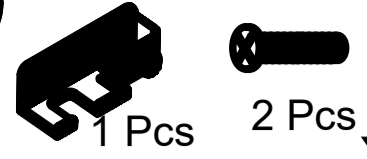
As shown, When installing the drawer, pull the guide rail out first, Slide beads are also pulled out.

Step 98

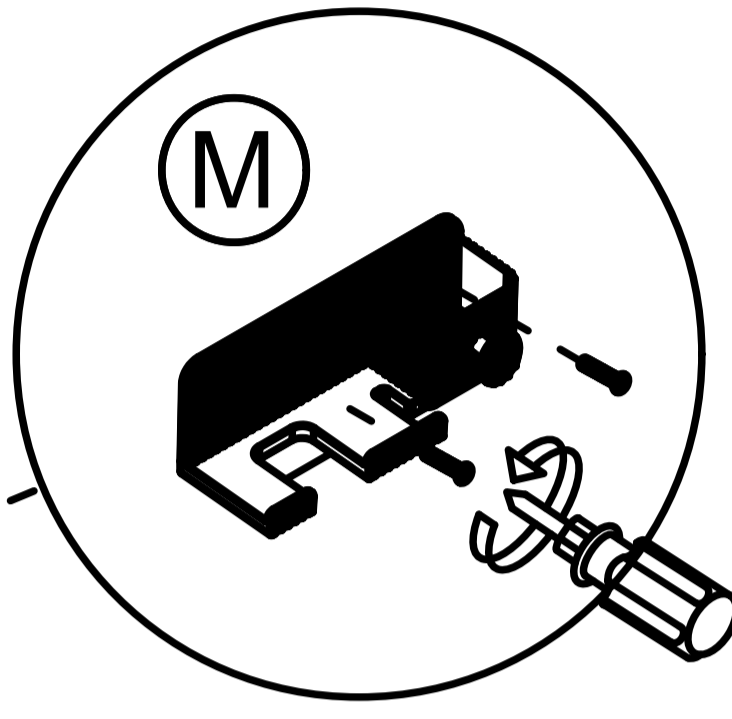
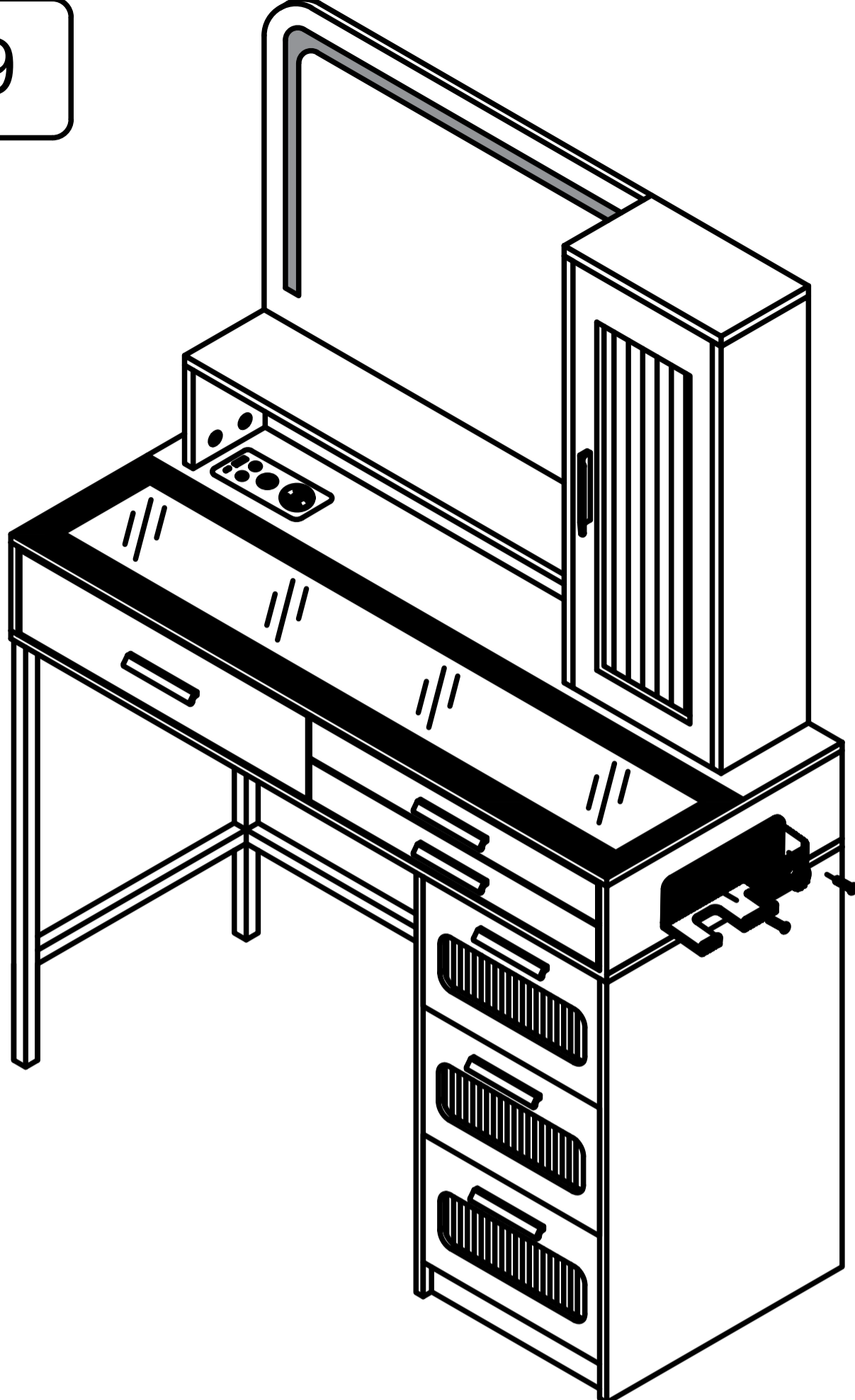


If a large gap is found after installing the drawer the slide rail can be moved up and down to adjust the gap

Step 99

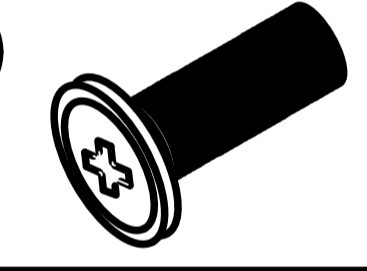
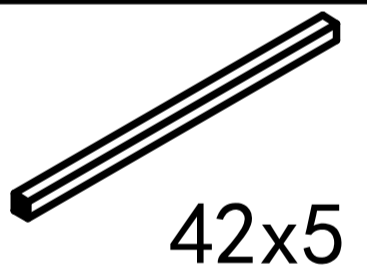
(M)  1 Pcs 2 Pcs x1

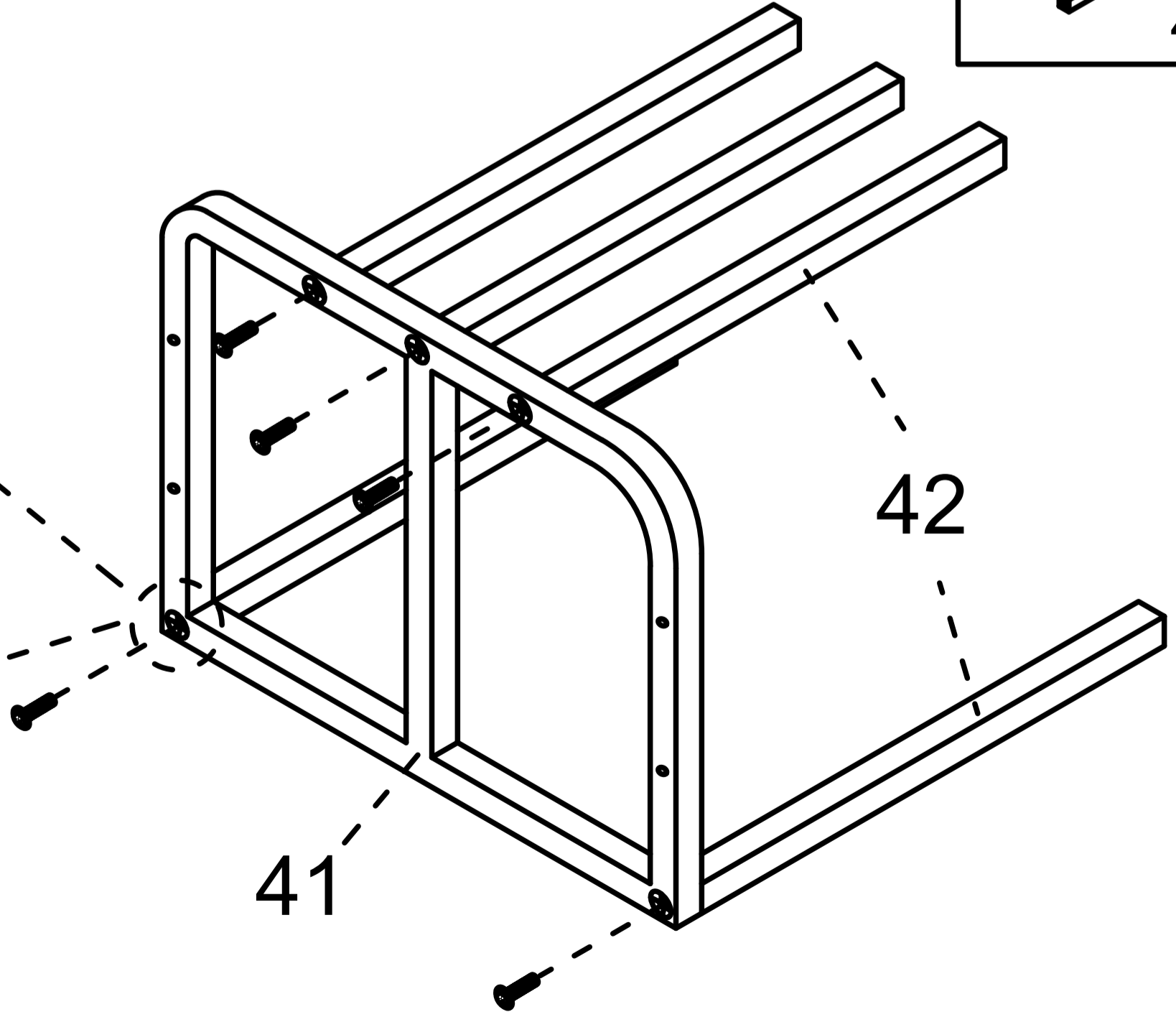
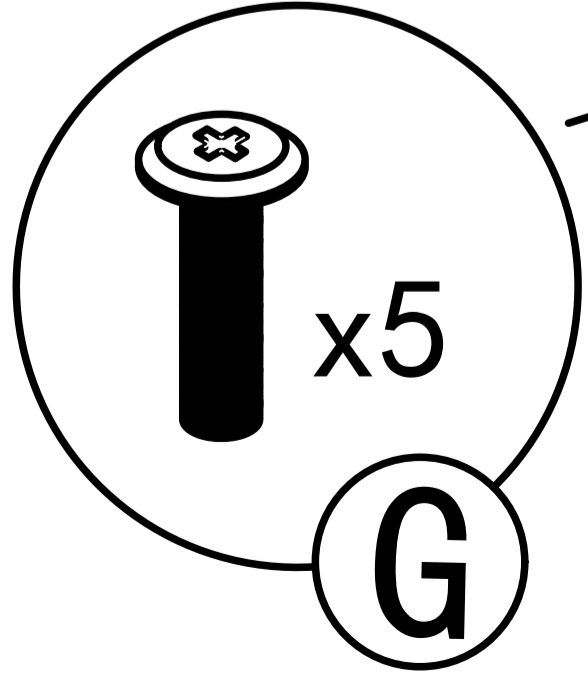
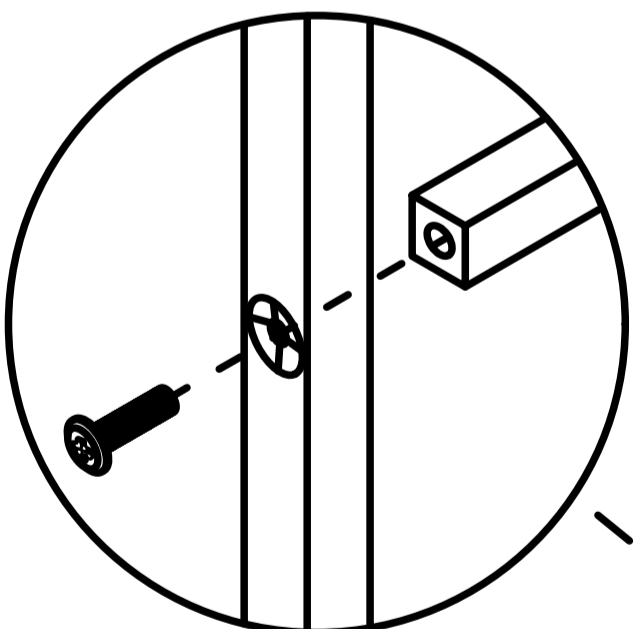
can be installed  
left and right



Step 100

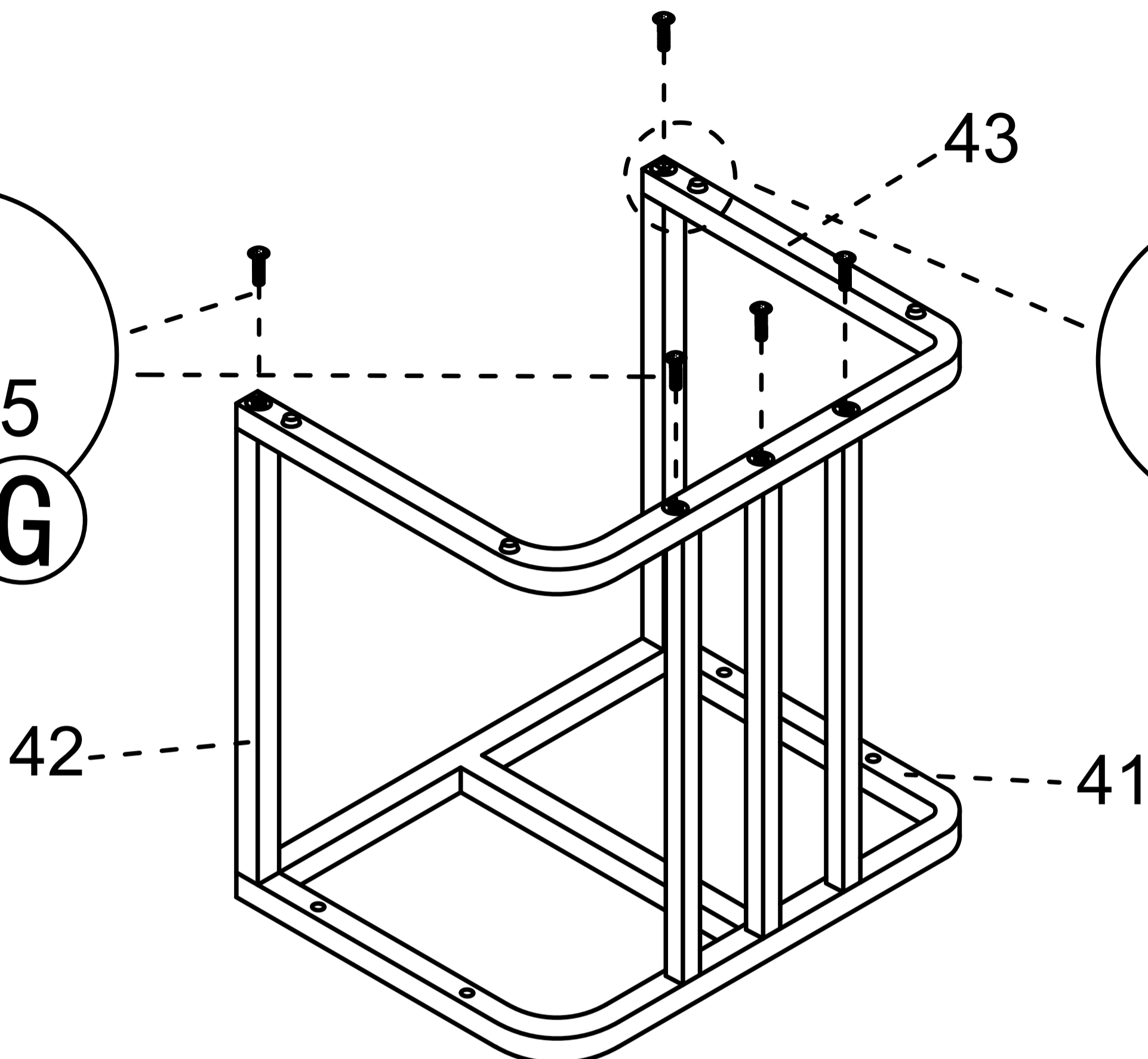
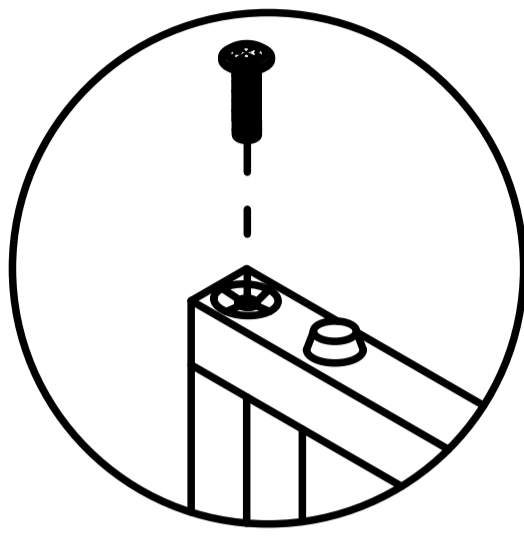
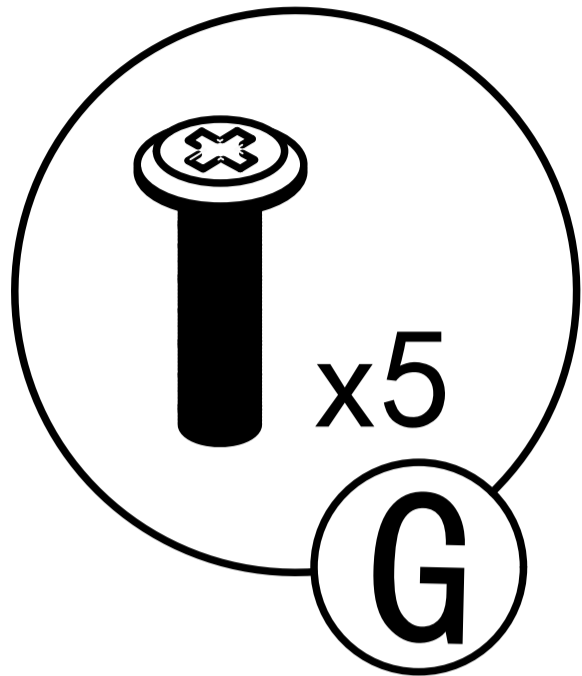
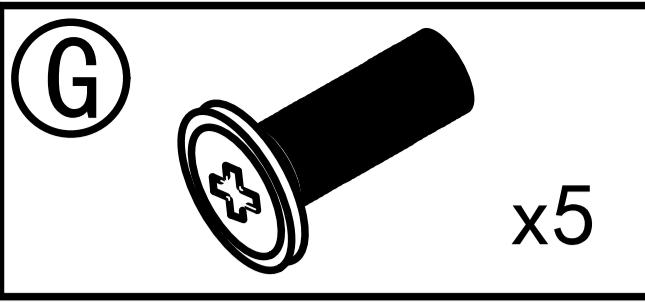
Screw the screw to the concave hole

(G)  x5  
 42x5



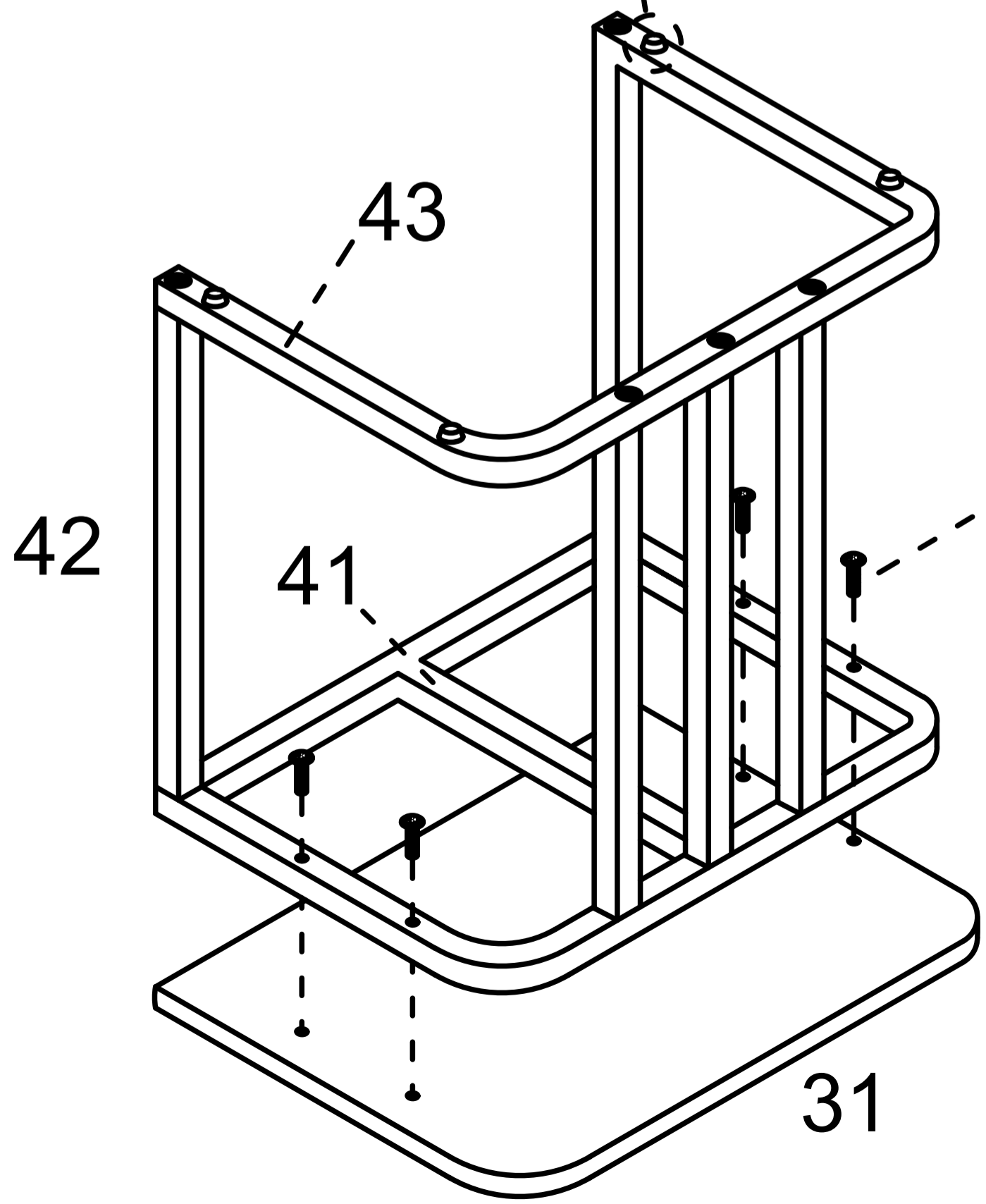
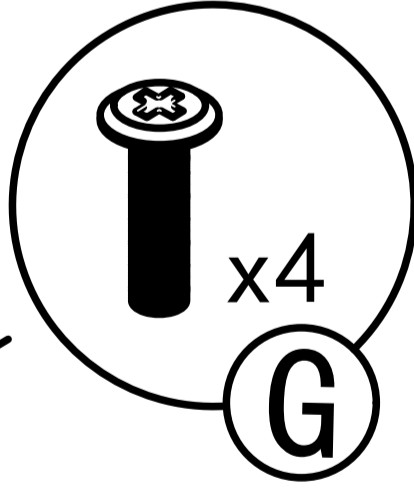
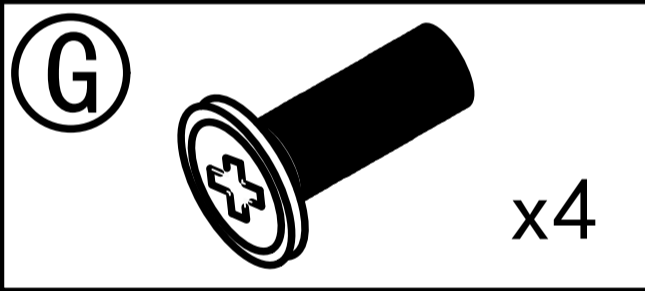
# Step 101

Screw the screw to the concave hole

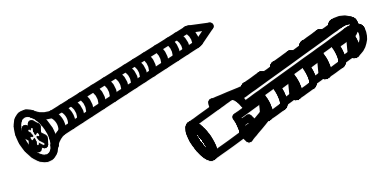
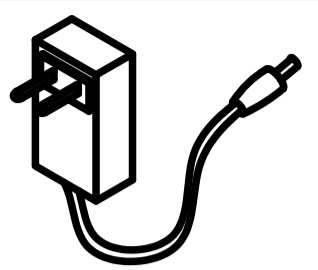


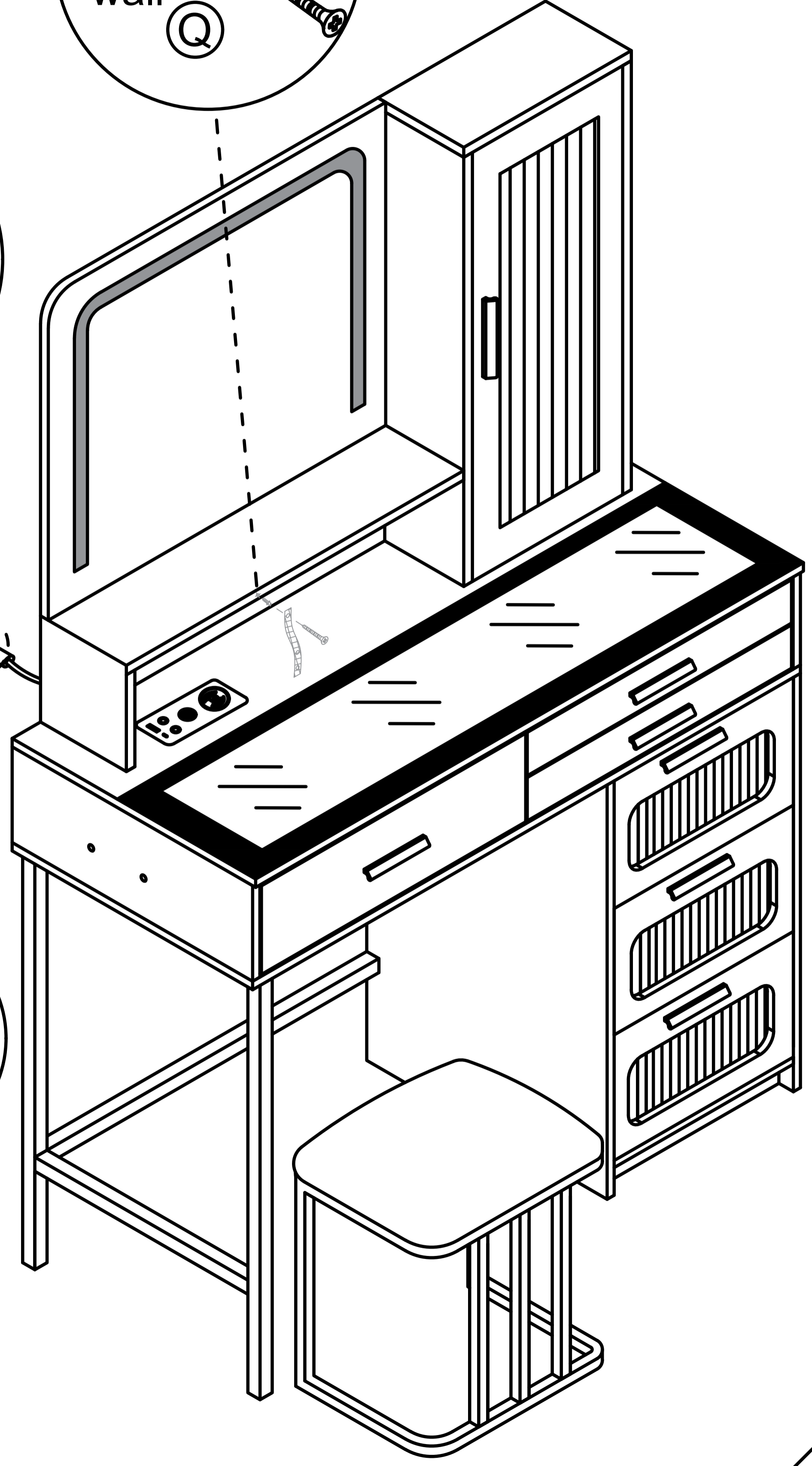
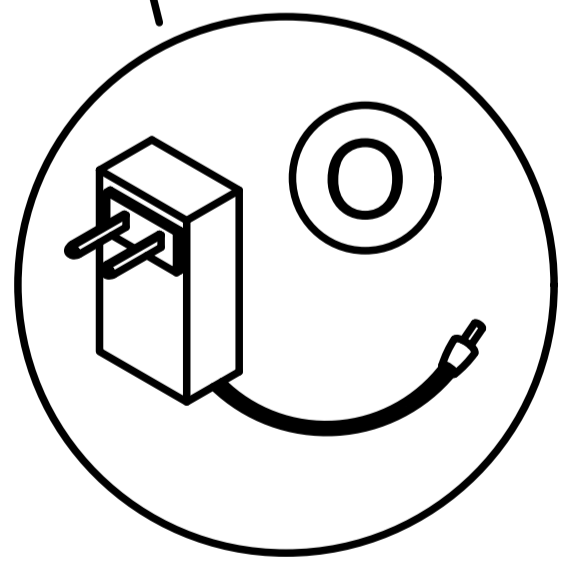
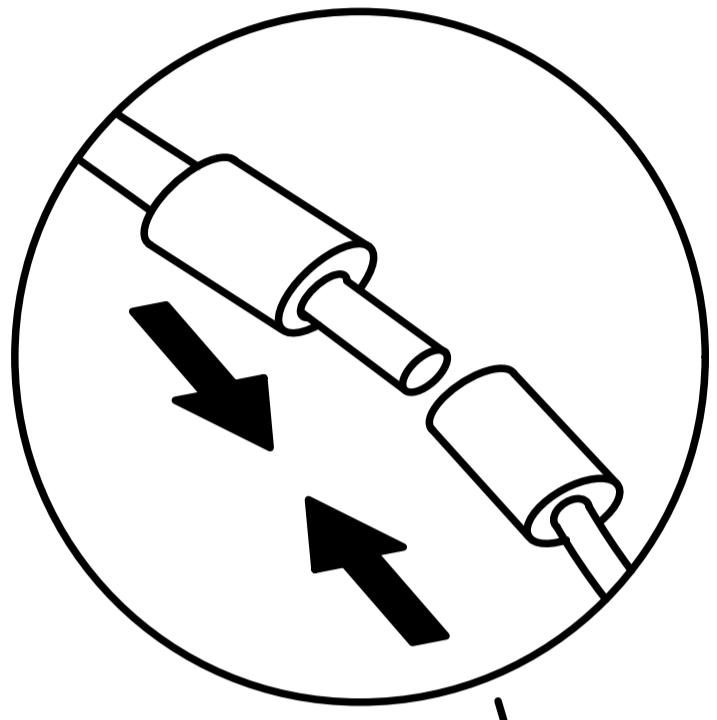
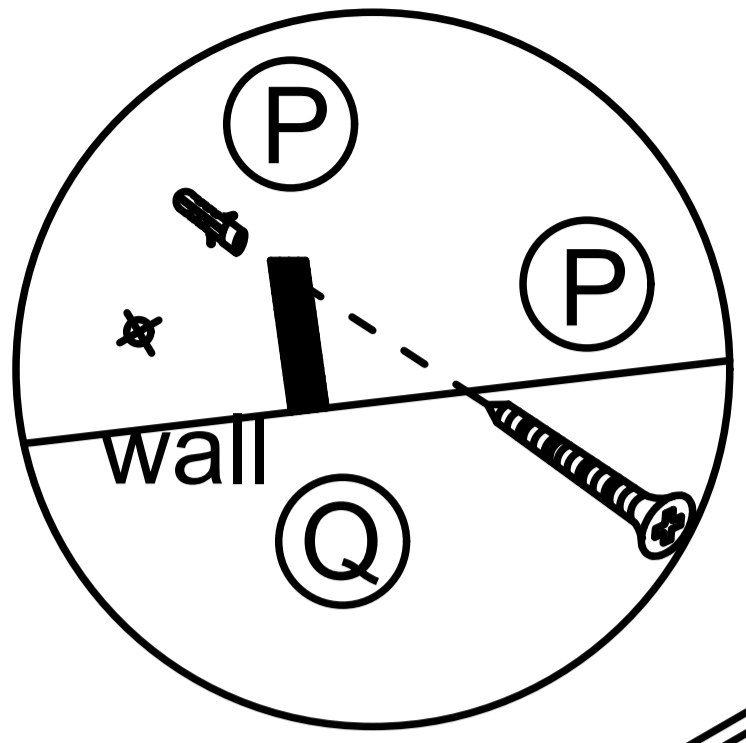
# Step 102

Note that the foot pad at the bottom of the iron frame 43 can be rotated and adjusted according to the actual situation.

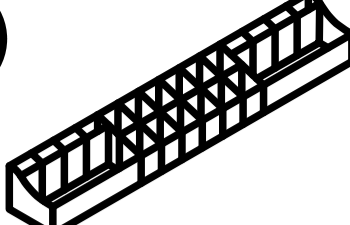




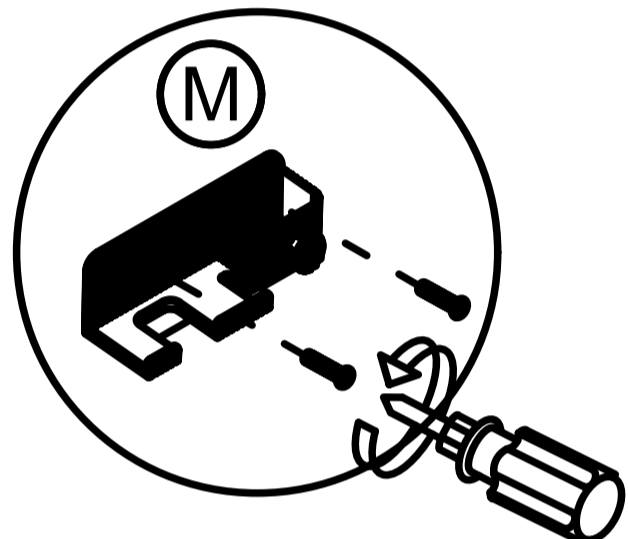
# Step 103

- (P)  x1
- (O)  x1

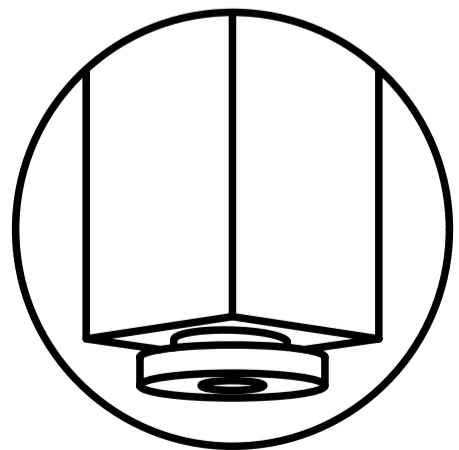
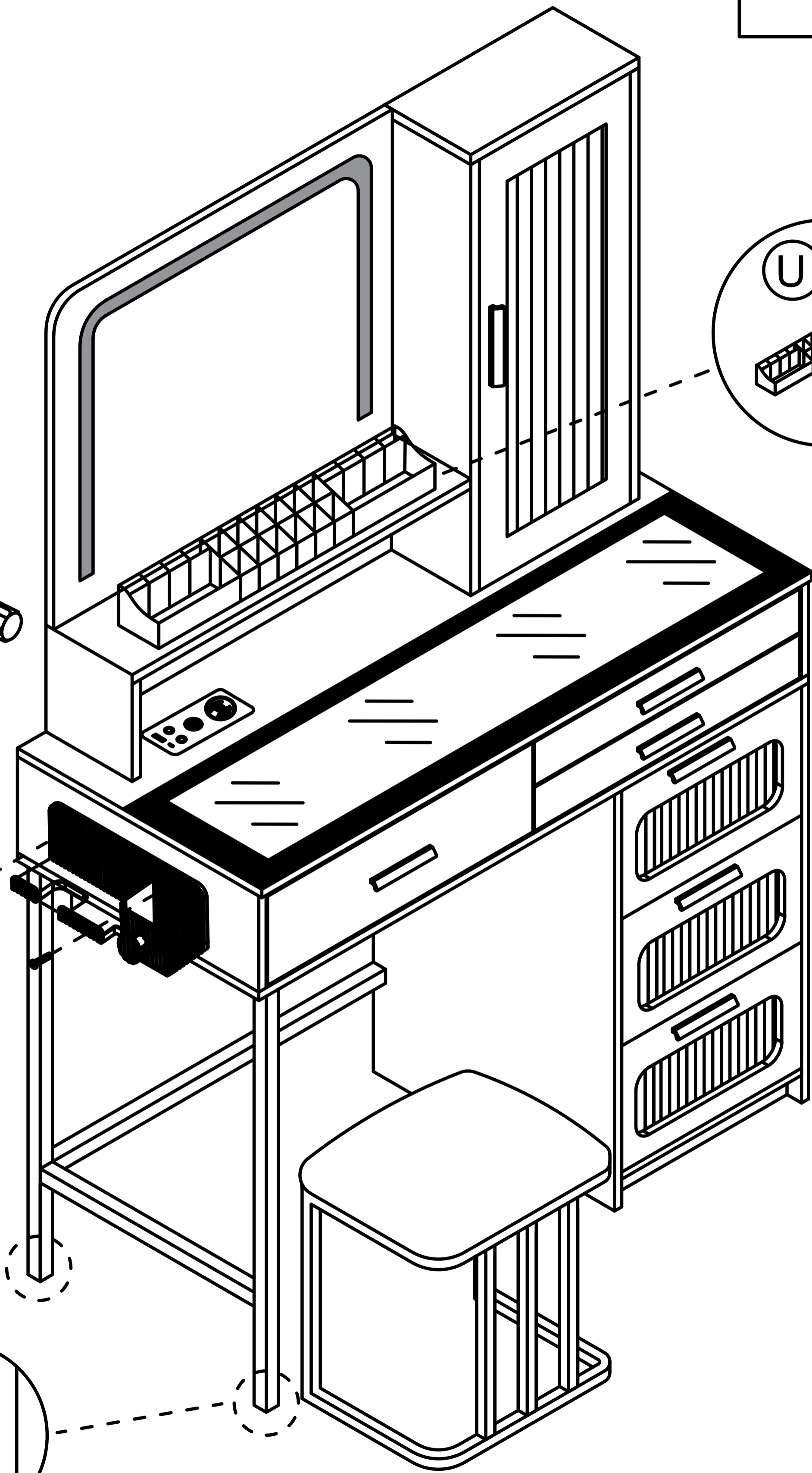
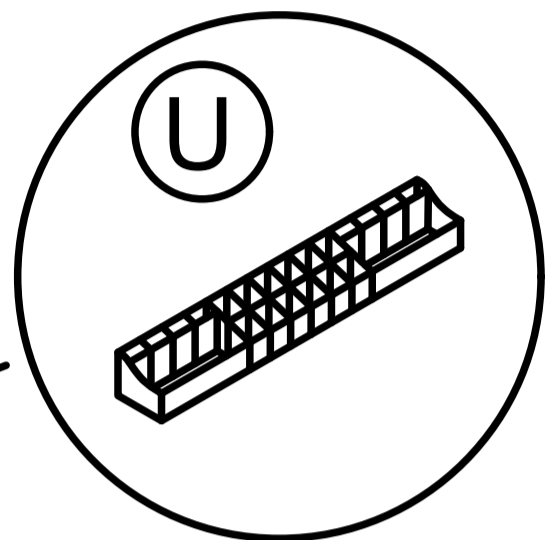


# Step 104

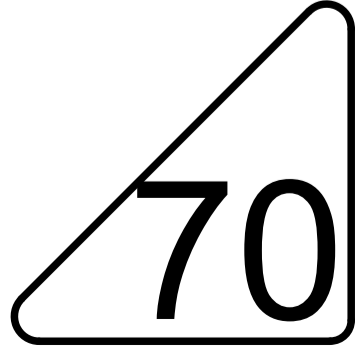
- (U)  x1
- (M)  1 Pcs  2 Pcs x1



It can be installed left and right



Height can be adjusted under the hardware foot to avoid imbalance





## User's Guide

1. To use this product, please plug it into a 12V DC power supply.
2. If there is no touch response suddenly, Re-plug the power to reset the touch static electricity.
3. If bubbles appear on the panel, remove the protective film.

## Product Introduction

Smart RGB large box is powered by USB-A and Type-C, meeting the general charging needs of all phone models.

Equipped with a built-in human body sensor, it can detect objects approaching within a range of 2 meters and achieve intelligent sensing to turn on lights.

And with 24 colors light, fast and wireless charging function is 15W .

This touch button enables the switch of radar sensing function  
**A.** touch this button once to turn on the radar sensing function (indicator light on). After the person leaves or remains stationary for more than 30 seconds, the light strip goes out; people and objects within a range of 2 meters move will light up the light strip.  
**B.** Long press this button for 0.5 seconds to turn off the human body sensing function (the indicator light goes out).  
 At this point, Keep the light strip as it was before turning off and no longer be affected by human and object activities.  
 By default, radar sensing is enabled when powered on.

This range is a wireless charging area, and only mobile phones with wireless charging function can be charged.

Consumer Reminder: Important Notice for Wireless Charging Use

1, Phone-Only Wireless Charging:

This device supports wireless charging for mobile phones only. Attempting to charge other electronic devices may result in danger.

2, Metal Warning:

Ensure that no metal objects are placed between your phone and the wireless charger (this includes magnetic or metal phone cases).

If there are metal objects can interfere with charging or cause hazardous conditions.

USB-A Output Port

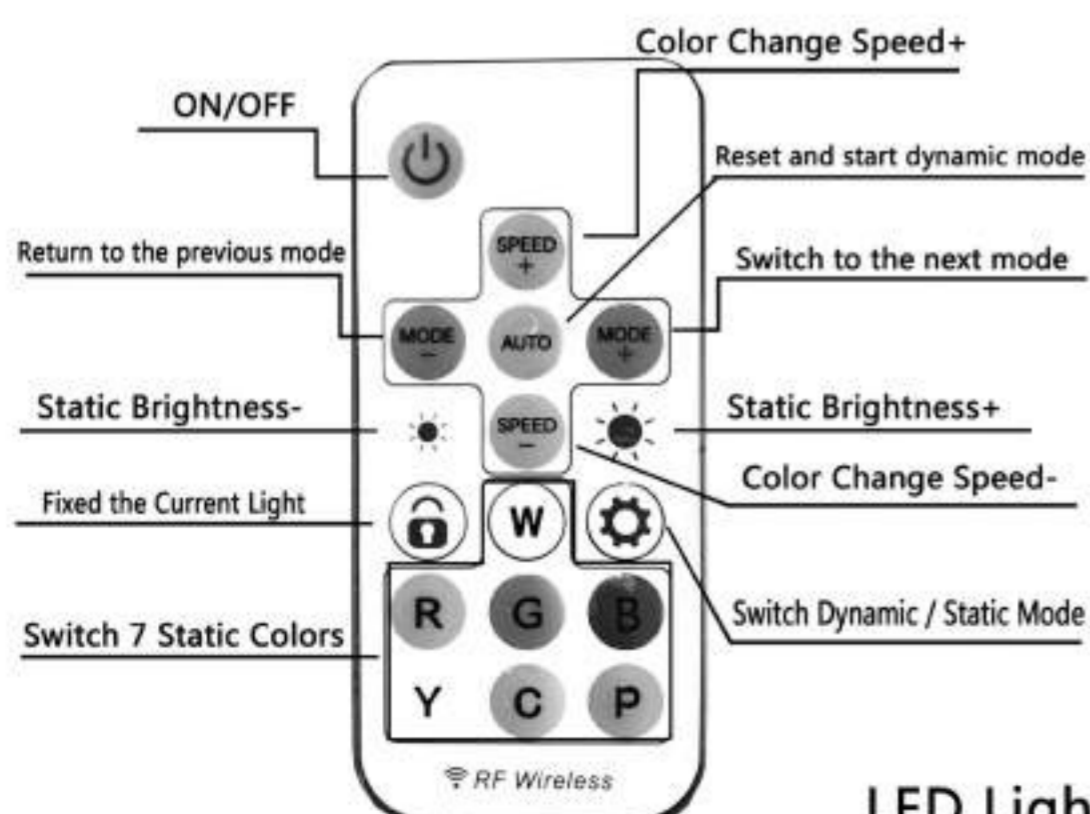
Type-C Output Port



This touch button achieves functions such as light strip on /off, light color switching, and adjust the brightness of the light.

- A. Touch this button can turn on or off the light (the indicator light will turn on or goes out) .
- B. With the circle of light, long press this button to achieve to adjust brightness of the light' s function. White light is enabled by default when powered on.

This area is the color switch function, you can click or slide to any color circle position to achieve color switch. The center hexagon of the color circle is marked as the dynamic phantom color mode which have 5 magic color modes.



Pull out the plastic card before using it

## LED Lights Controller-use instructions

1. After inserting the DC power adapter you can use the remote control to control the lights. Press The "on /off" key to turn on the light and it will enter the static light mode.
2. There are 7 RGB Dynamic Modes. You can press the "MODE+/-" key to choose dynamic colors that you preferred and press the "Speed+/-" key to adjust color change speed.
3. There are 7 static colors: White/Red/Green/Blue/yellow/ice blue/ pink light. You can press the "Brightness +/-" key to adjust the brightness.
4. You can press the "lock" key to fix the color you like. When you press the "Switch Dynamic /Static Mode" the light will change between dynamic mode and static mode