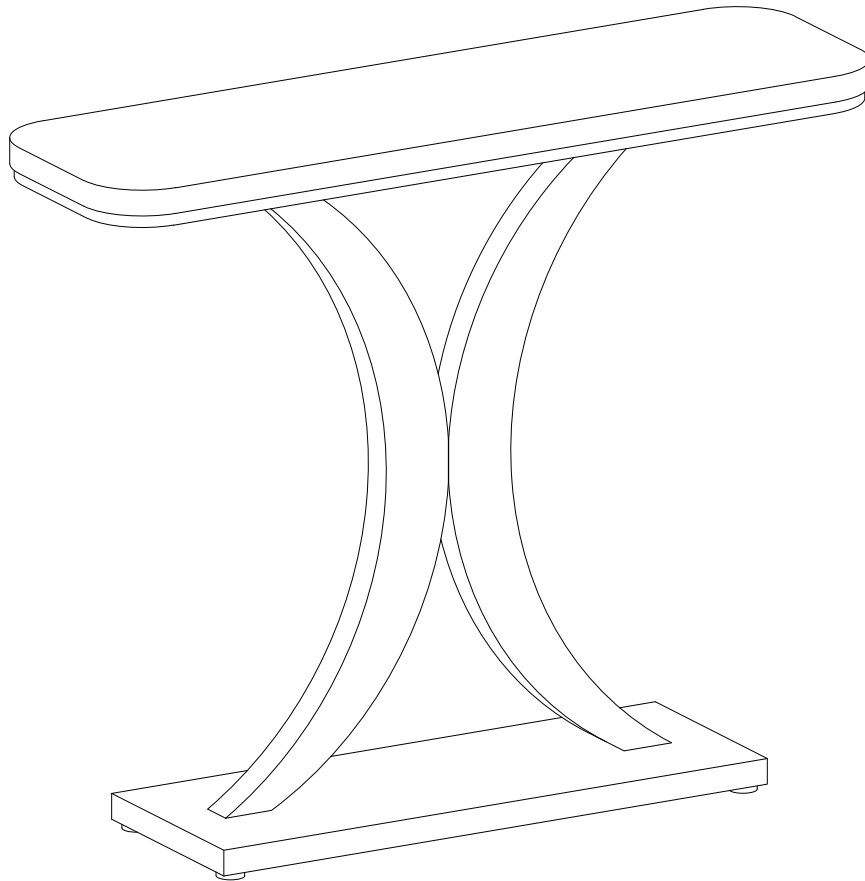


# Assembly Instructions



---

**Console Table**

Model No.

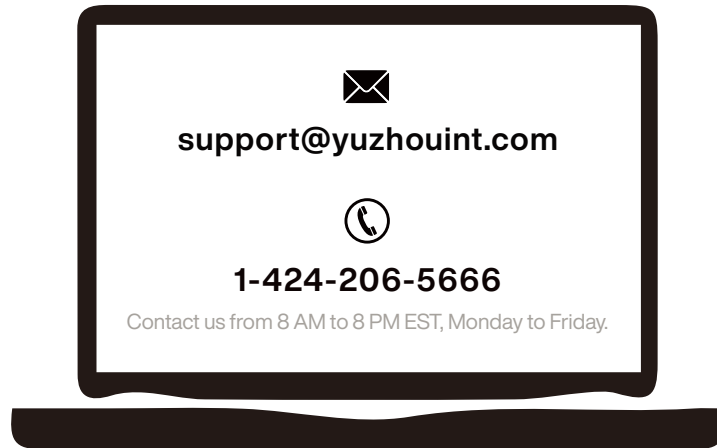
**HOGA-C0690X/HOGA-C0814**

**HOGA-HL048/HOGA-HL079**

---

# Contact Us

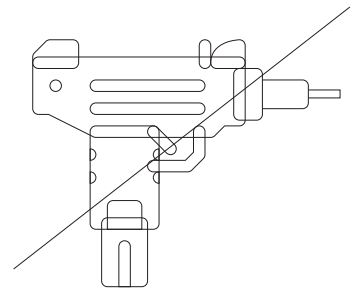
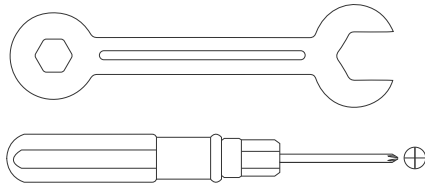
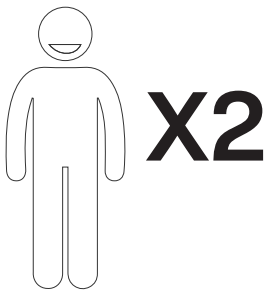
## We're here to help you.



Your satisfaction is our top priority. If you encounter any issues with this product, such as missing or damaged parts, we're here to help. Please retain the original packaging and take photos of the packaging and the product, then contact us as soon as possible.

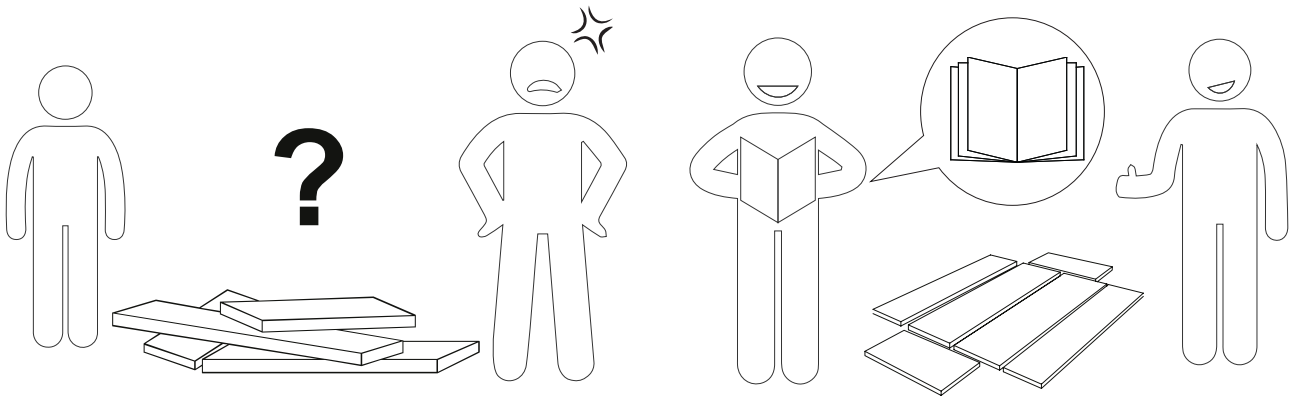
### Warm Tips

1. Carefully read these instructions and keep them for future reference.
2. Check the parts list and confirm everything's there before starting assembly.
3. When assembling, put all parts on a soft, smooth surface like a carpet to avoid scratches.
4. Don't fully tighten screws until all parts are confirmed in place to avoid misalignment.



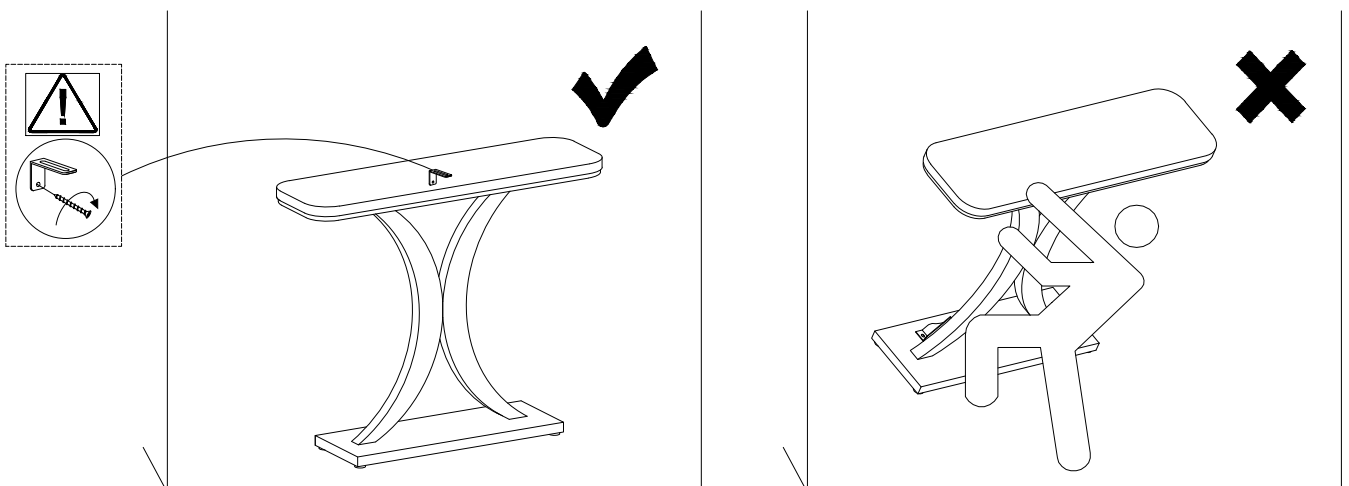
We recommend using hand tools for assembly.

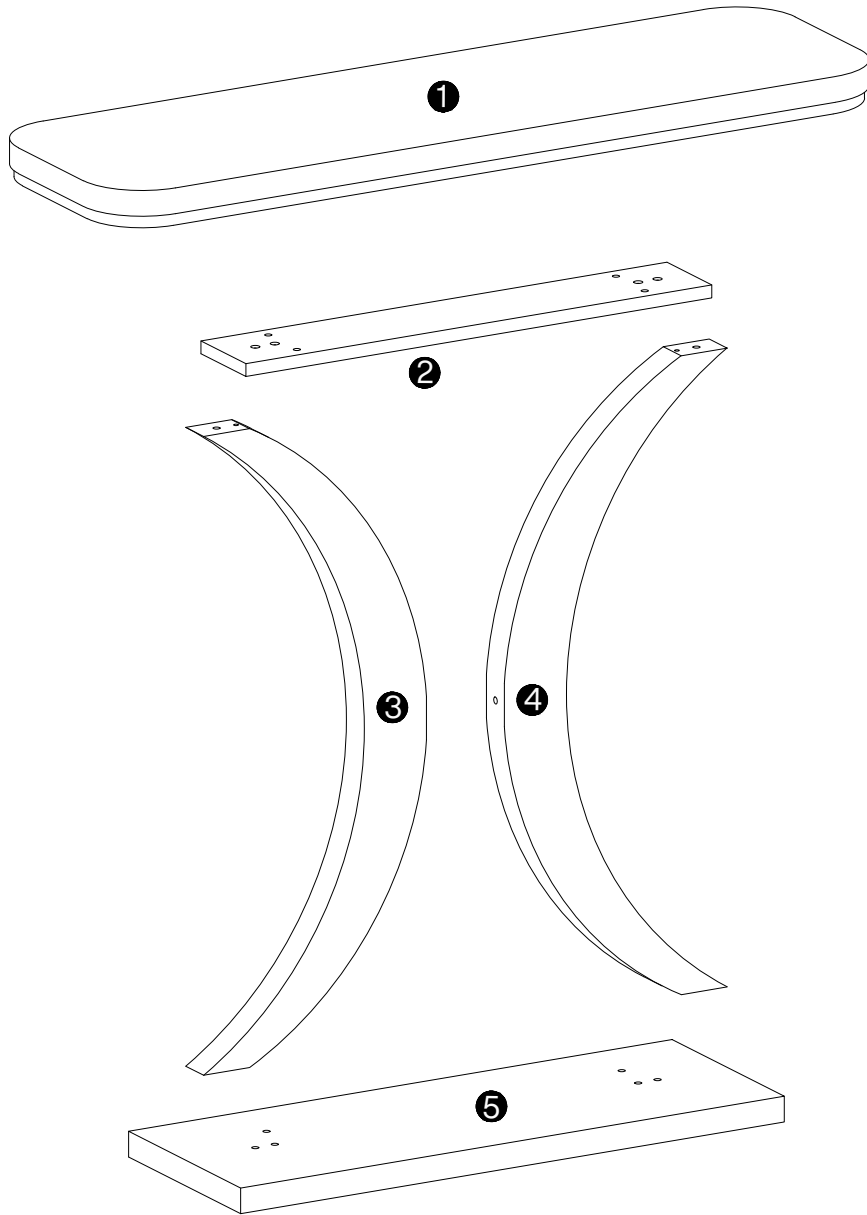
If an electric screwdriver is used, reduce power and torque to avoid damage to the product.



## Install the Anti-Tip Straps

Using the anti-tip straps can reduce the risk of tipping over, but can not eliminate it.

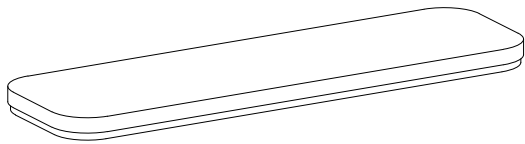




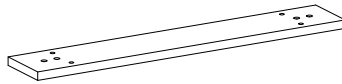
**⚠ Caution**

Make sure all parts are included. Most board parts are labeled or stamped on the raw edge. Contact us for a free replacement if you encounter any damaged or missing parts.

## Parts List



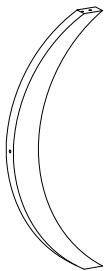
① 1pc



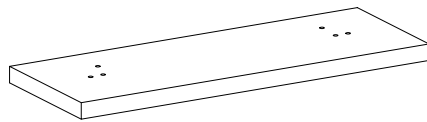
② 1pc



③ 1pc



④ 1pc



⑤ 1pc

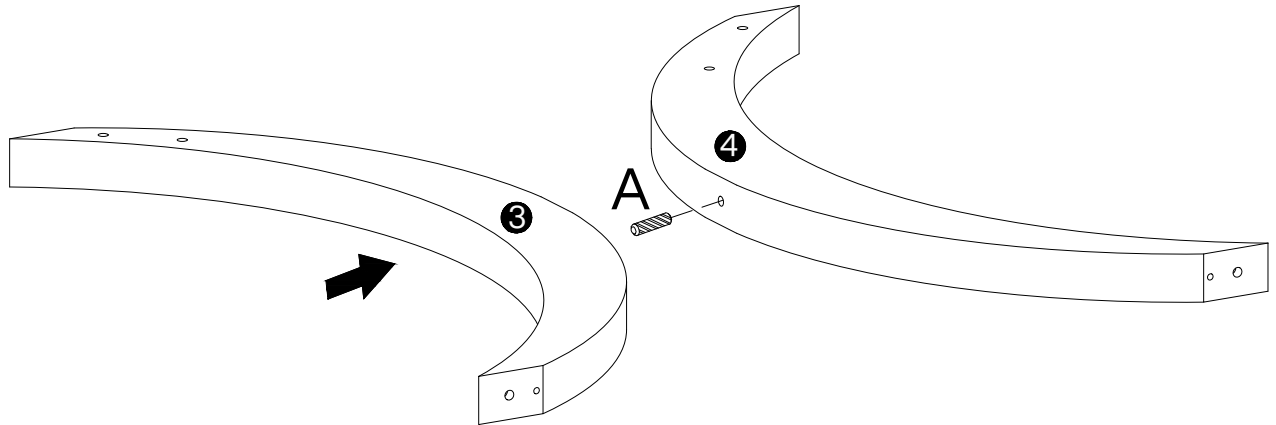
## Hardware List

A	X1+1	B	X6+1	C	X2+1	D	X6+1	E	X1+1
Ø8X30 mm		M6X12 mm		M6X22 mm		M6X25 mm		M6X28 mm	

F	X1+1	G	X4+1	H	X1	I	X1	J	X4
Ø4X35 mm		Ø7X40 mm		M4		60X35X20 mm		M6X32 mm	

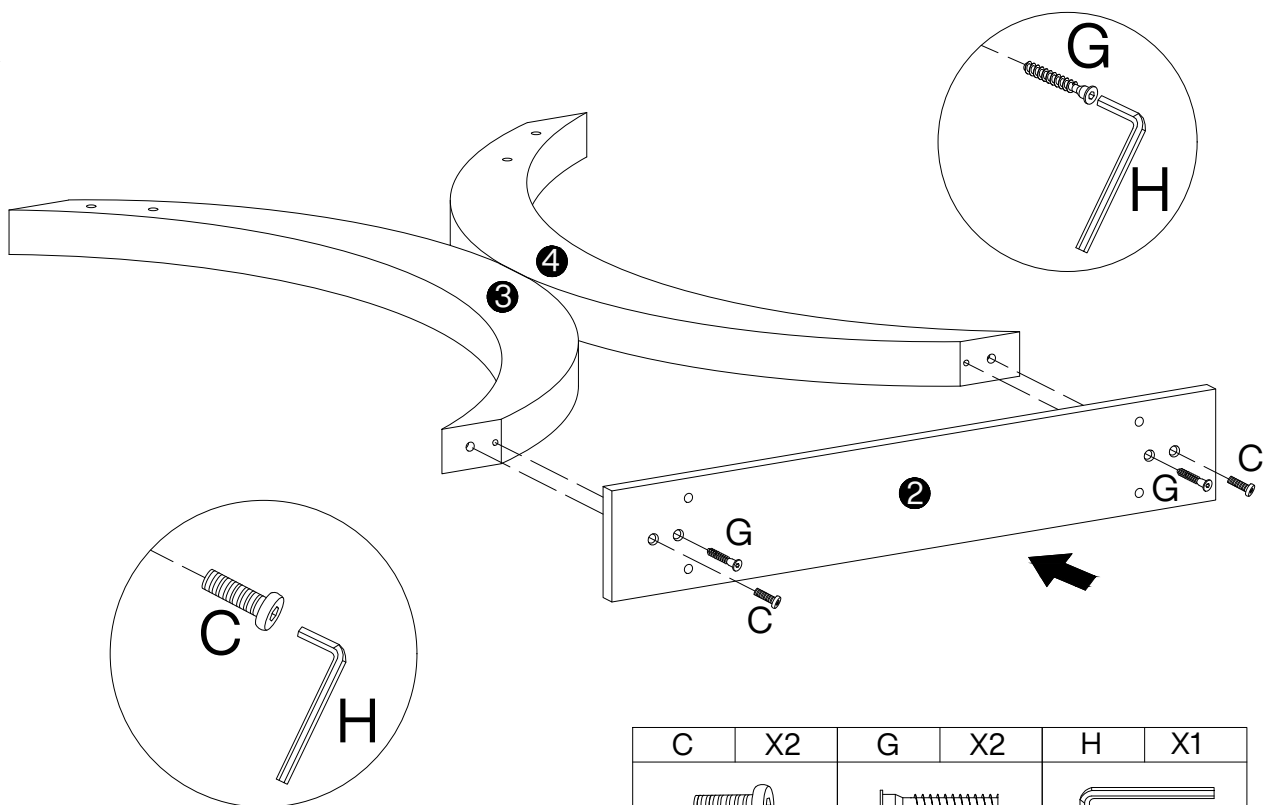
K	X1	L	X1	M	X1
Ø8X40 mm		110X42X26 mm		110X42X26 mm	

1



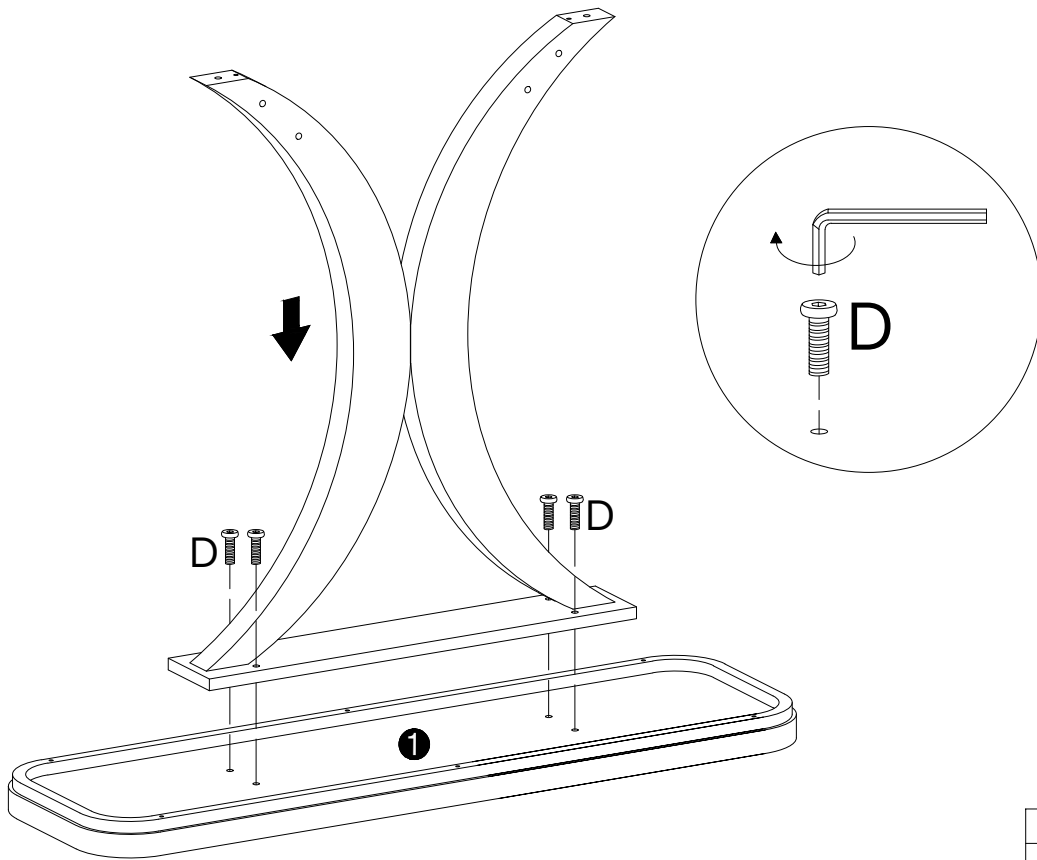
A	X1
Ø8X30 mm	

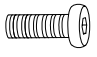
2



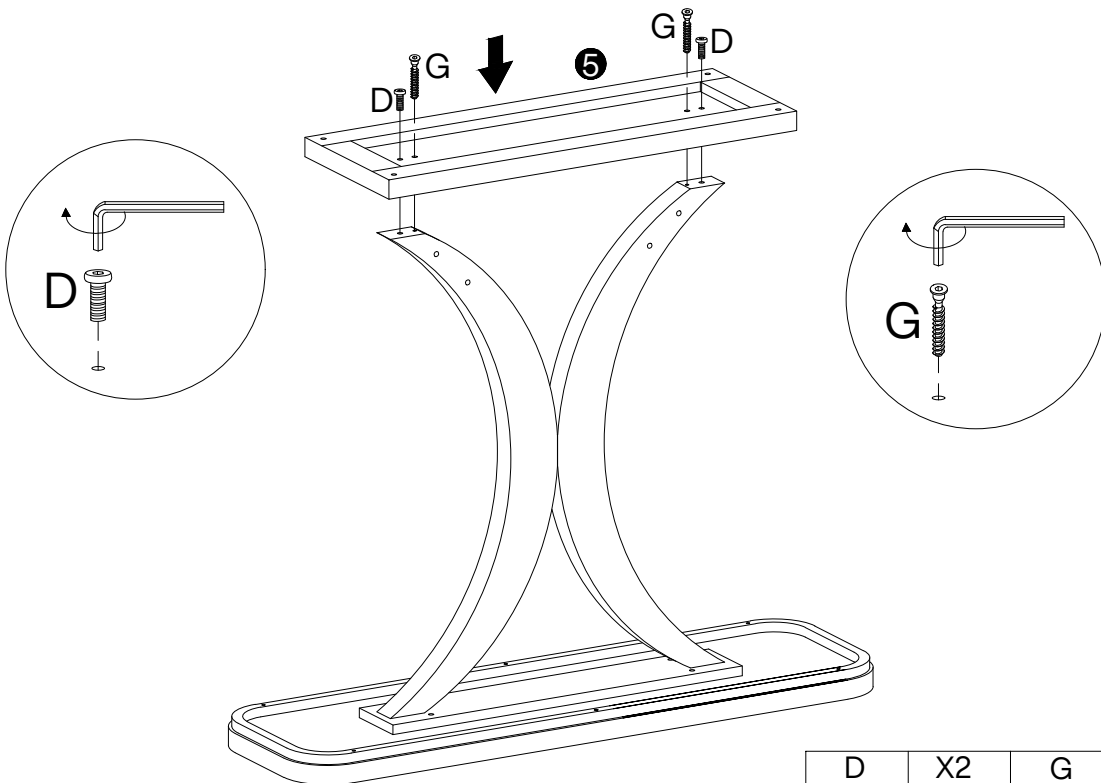
C	X2	G	X2	H	X1
M6X22 mm		Ø7X40 mm		M4	

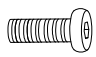
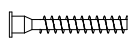
**3**



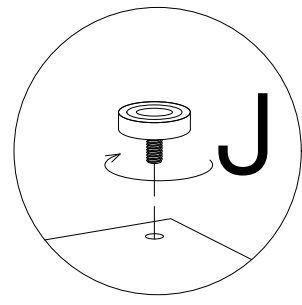
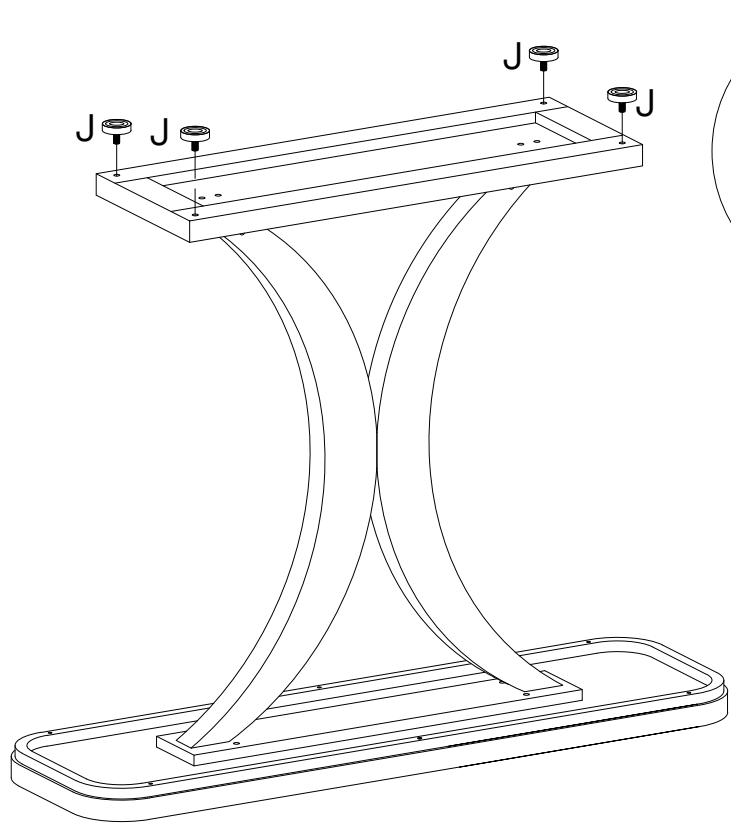
D	X4
	
M6X25 mm	


**4**



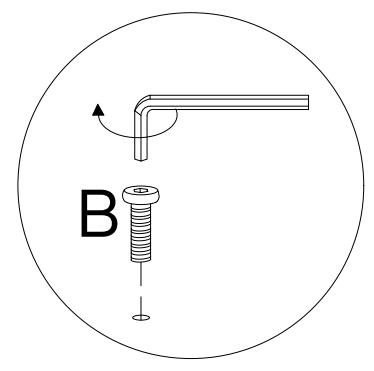
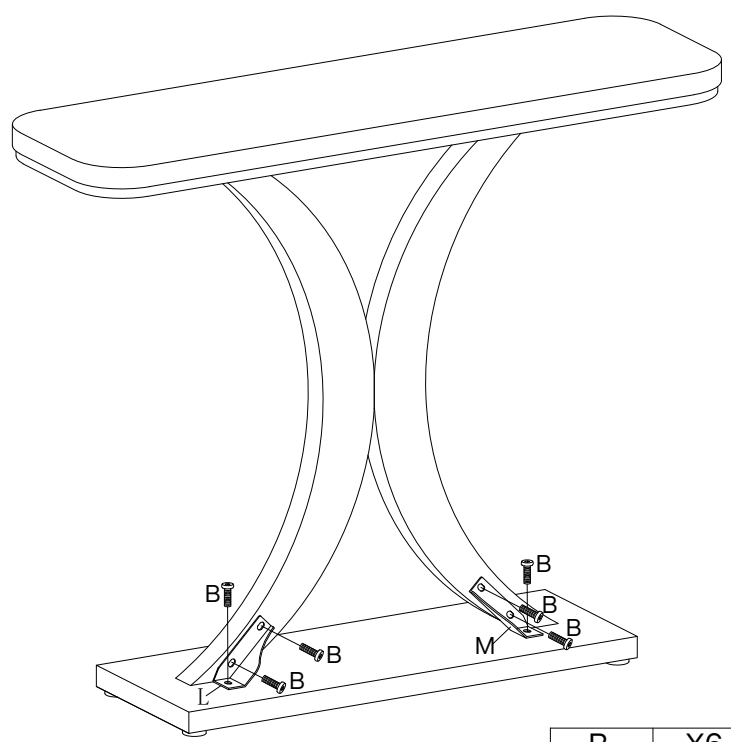
D	X2	G	X2
			
M6X25 mm		Ø7X40 mm	

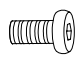


5



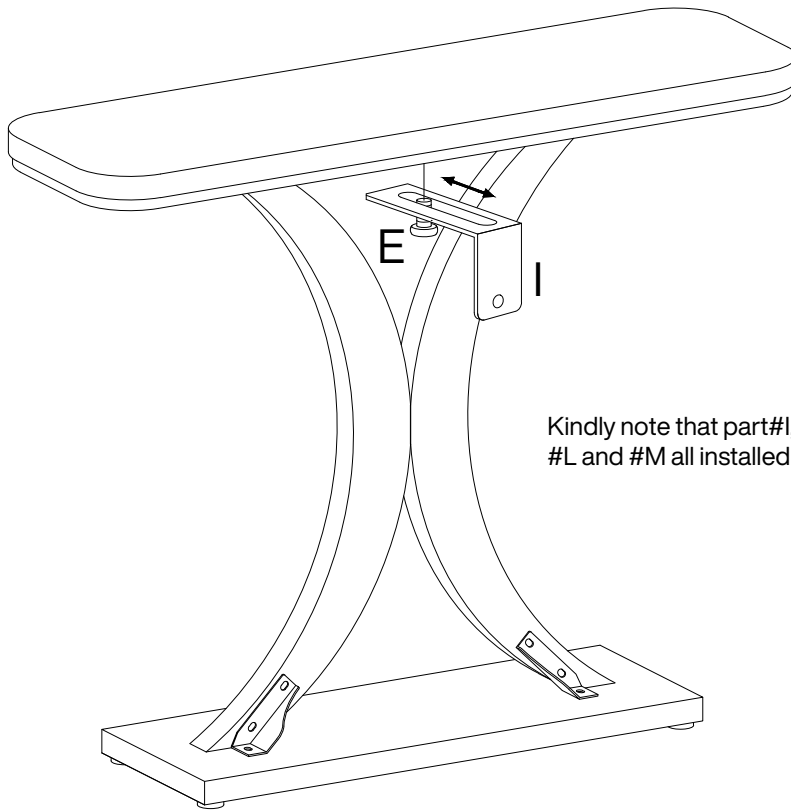
J	X4
	
M6X32 mm	

6



B	X6	L	X1	M	X1
					
M6X12 mm		110X42X26 mm		110X42X26 mm	

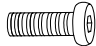
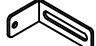
7



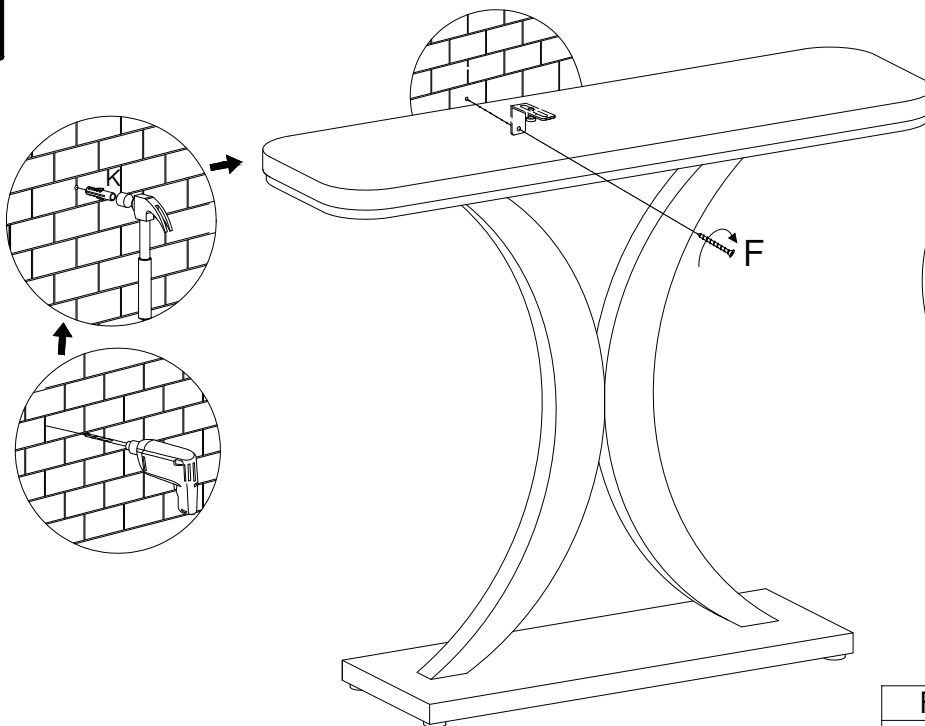
pre-drill 70%



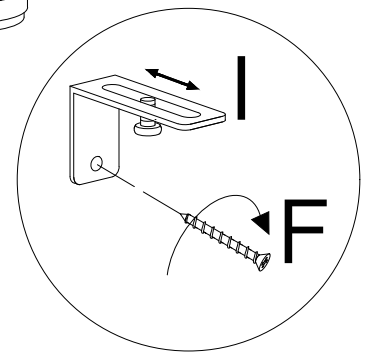
Kindly note that part #I,  
#L and #M all installed on the back side

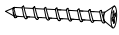

E	X1	I	X1
			
M6X28 mm		60X35X20 mm	

8



screw down



F	X1	K	X1
			
Ø4X35 mm		Ø8X40 mm	

**Thank you for your support!**

