



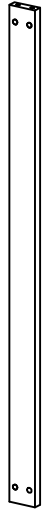
Ax4



Bx2



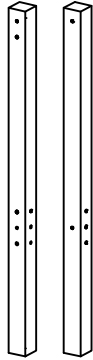
Cx2



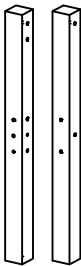
Dx1



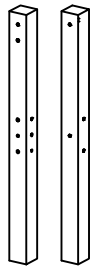
Ex13



Fx2



Gx1



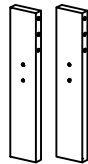
Hx1



Ix6



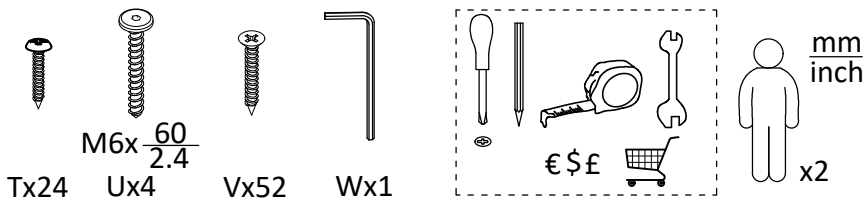
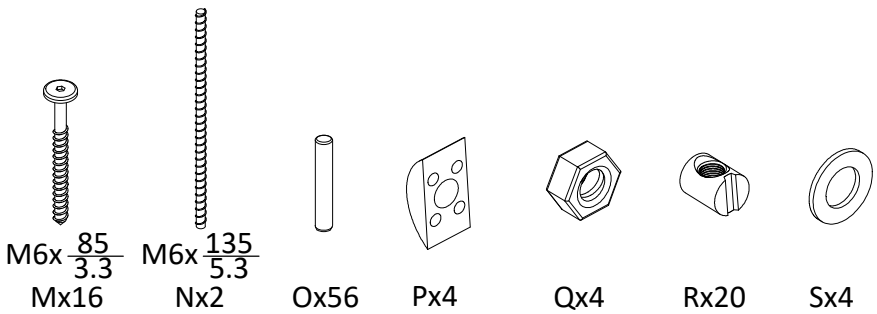
Jx4



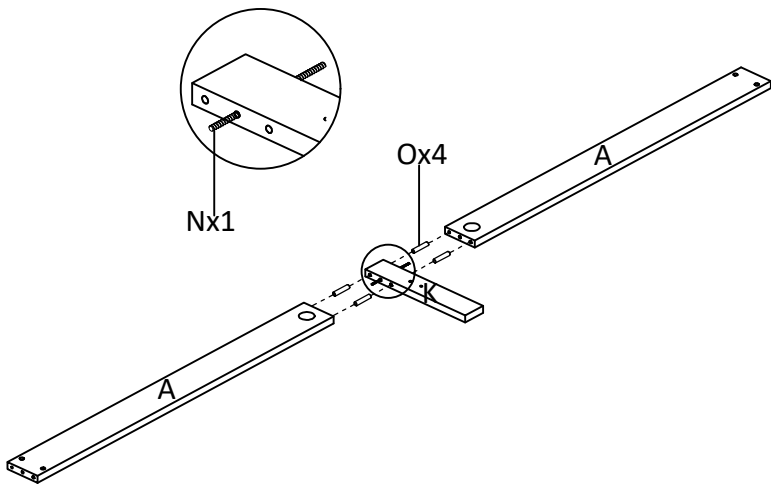
Kx2



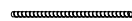
Lx4



① x2

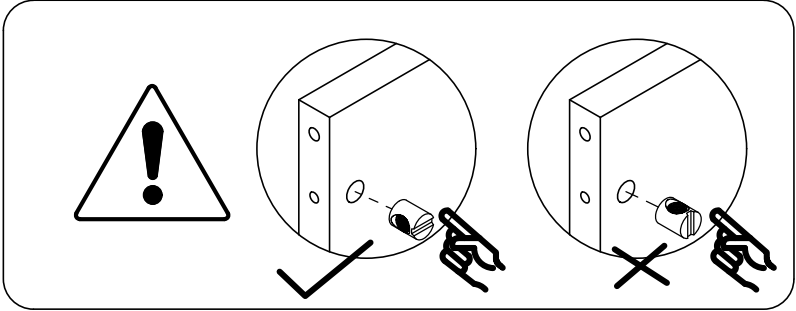


Nx2

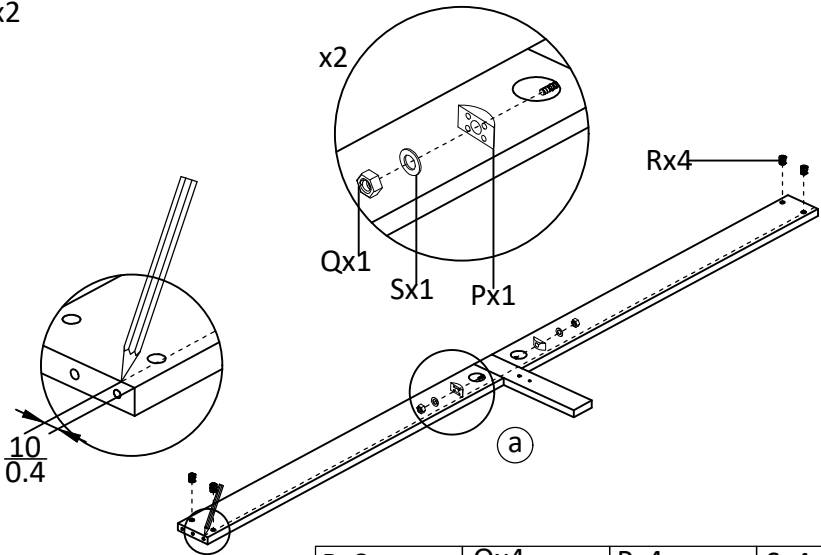


Ox8



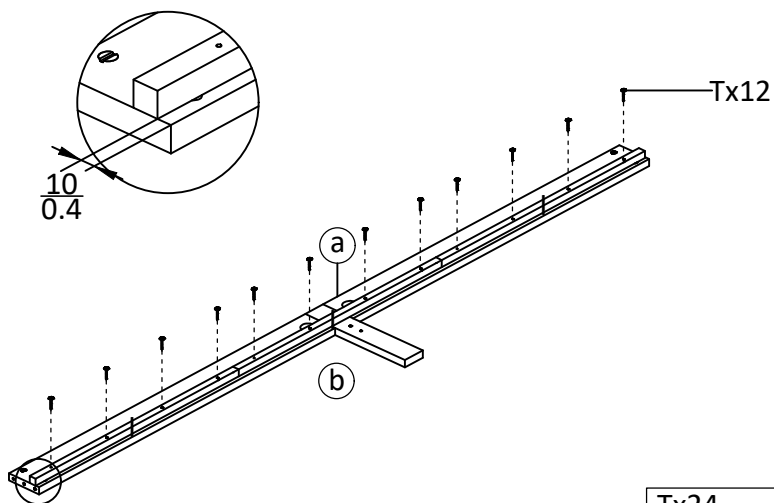


② x2



Rx8	Qx4	Px4	Sx4

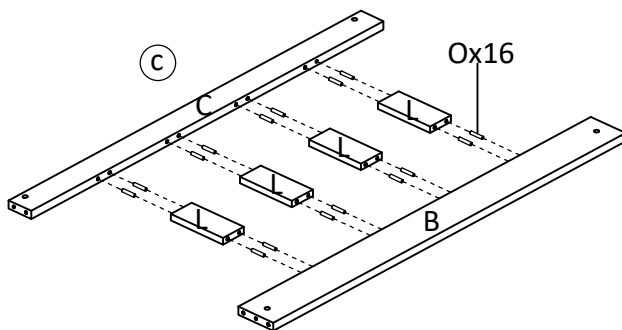
③ x2



Tx24



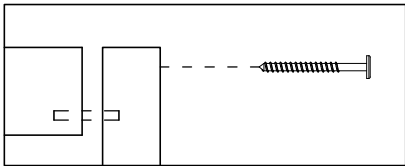
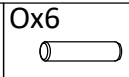
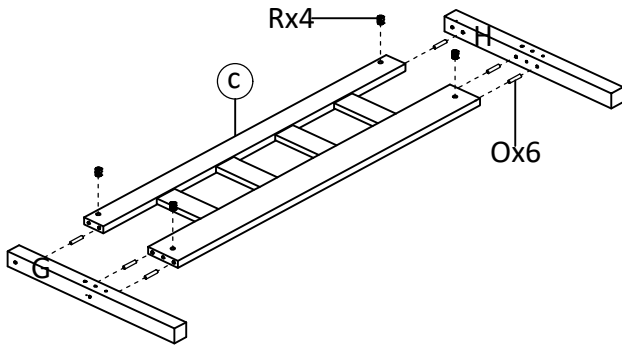
④



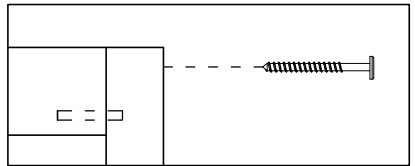
Ox16



5

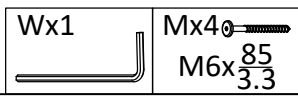
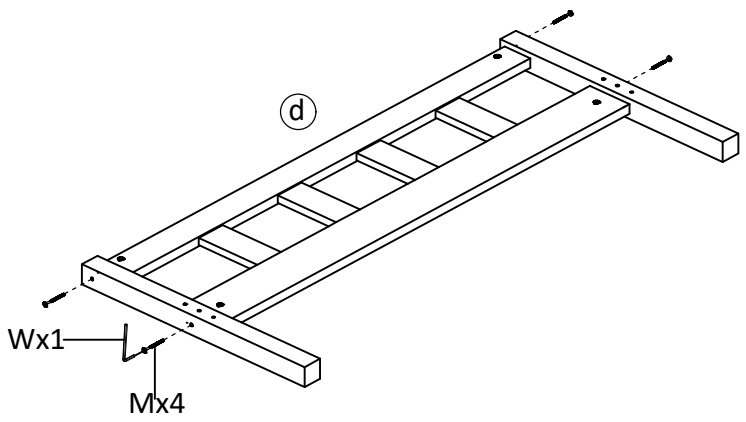


X

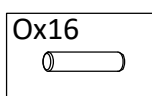
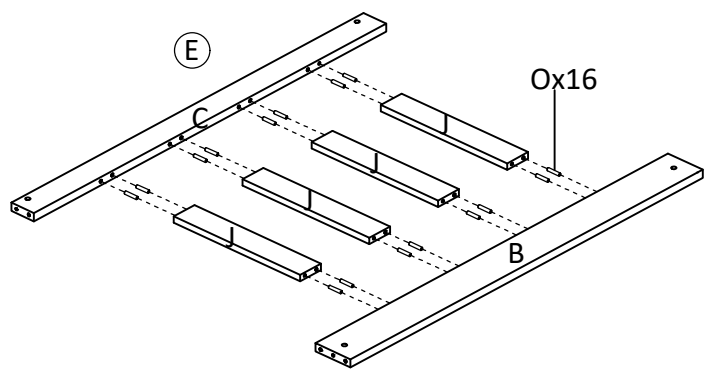


✓

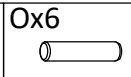
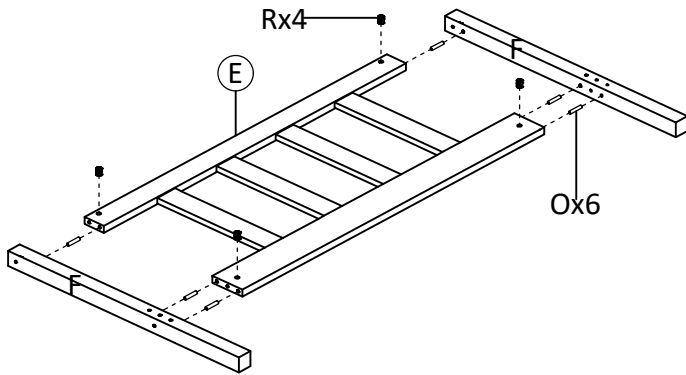
6



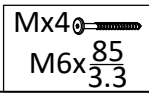
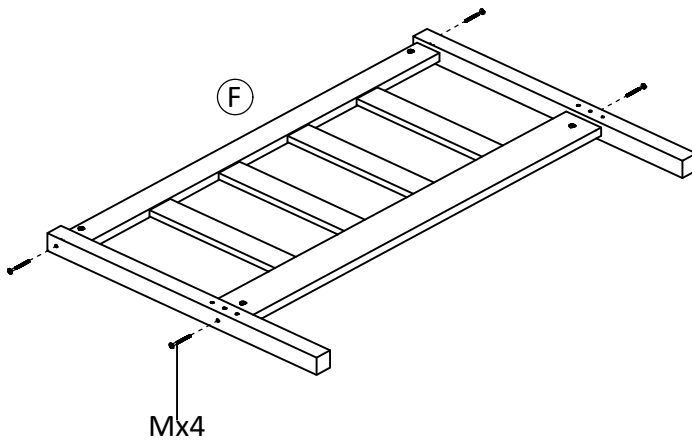
7



8

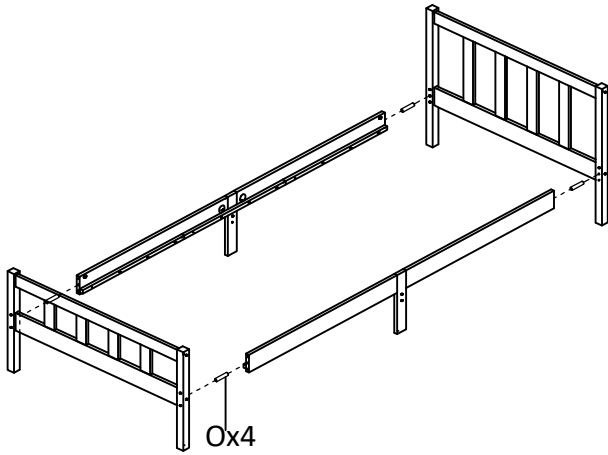


9



M6x $\frac{85}{3.3}$

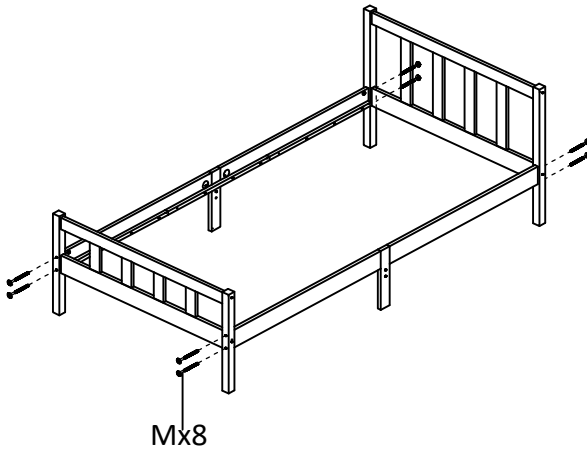
10




Ox4



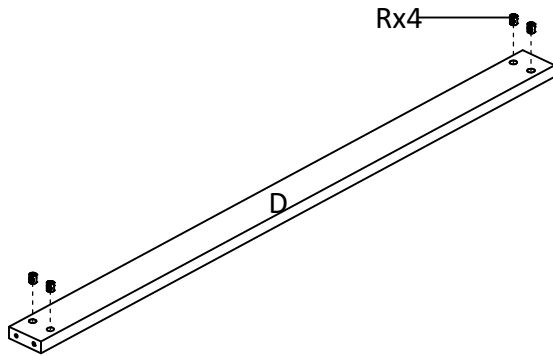
11



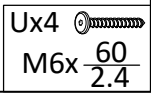
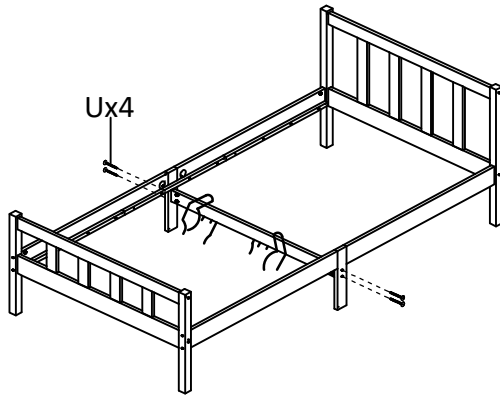
Mx8

Mx8 
M6x $\frac{85}{3.3}$

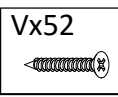
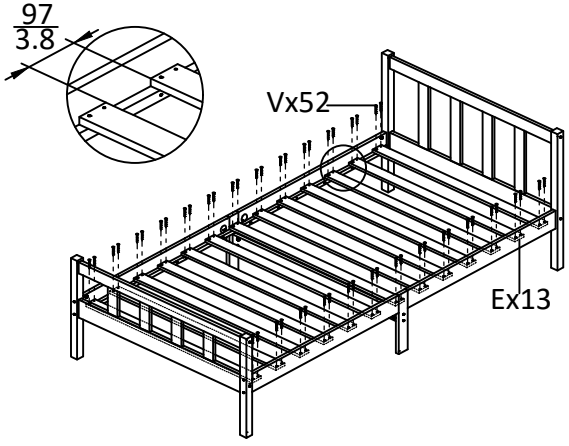
12



13



14



15

