
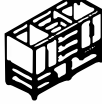




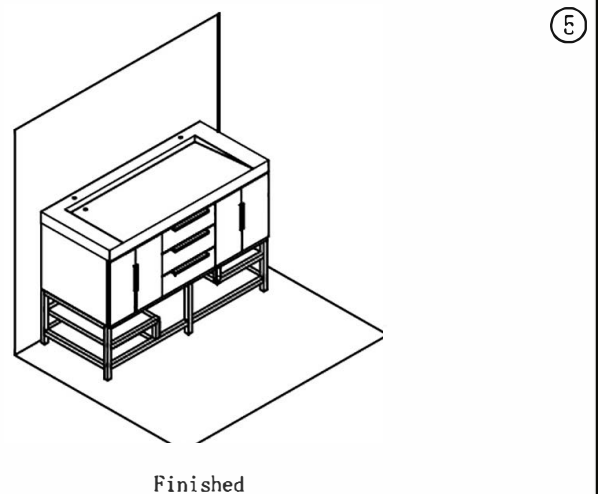
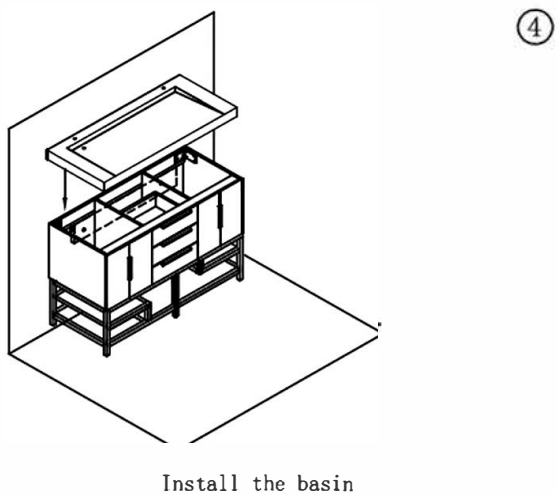
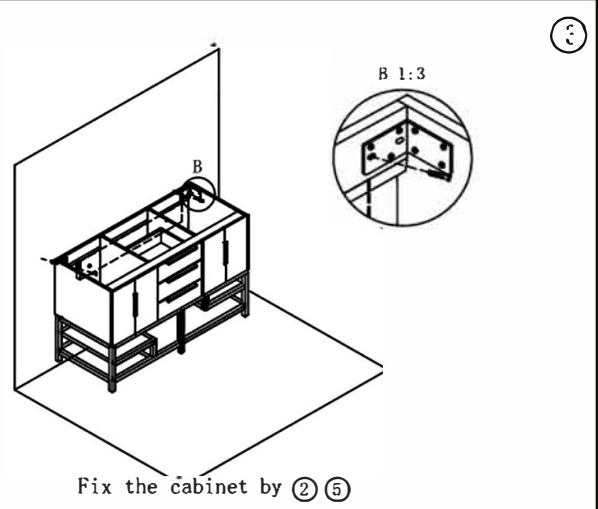
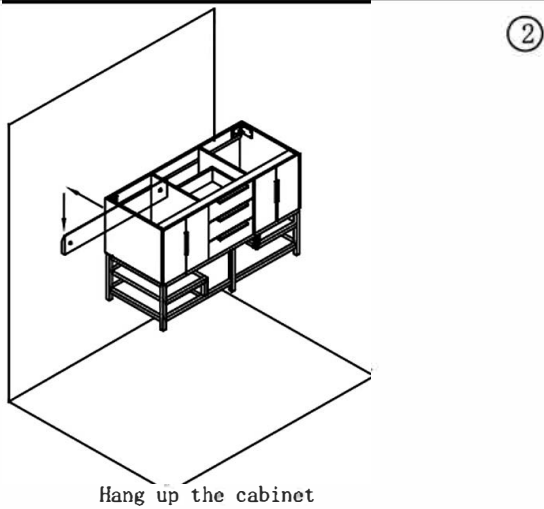
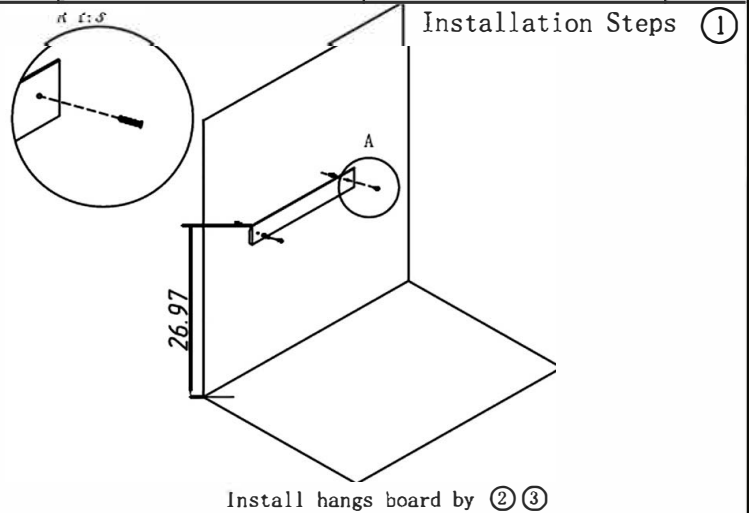
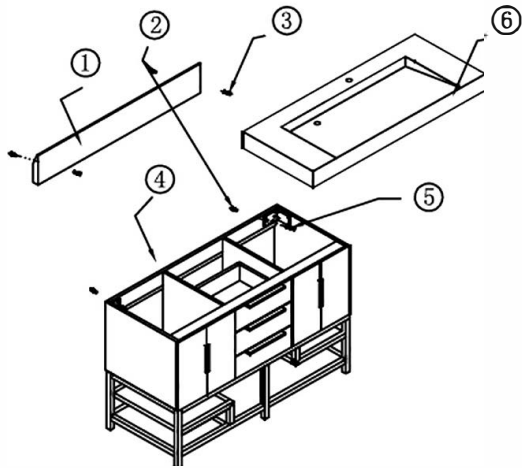


# Installation Instruction




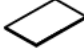






## PARTS LIST

NO.	PARTS	NAME	QTY	NO.	PARTS	NAME	QTY
①		Hangs board	1	④		Cabinet body	1
②		Plastic expansion tube	4	⑤		M6x65 Screw	2
③		M4x60 Countersunk head screw	2	⑥		Basin	1

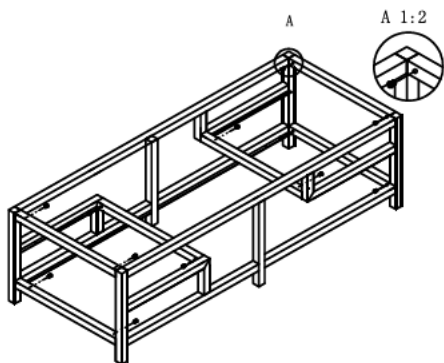
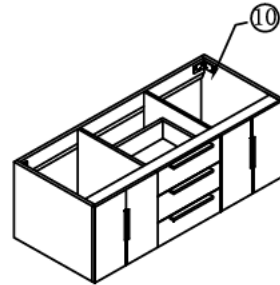
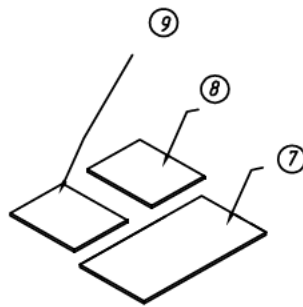
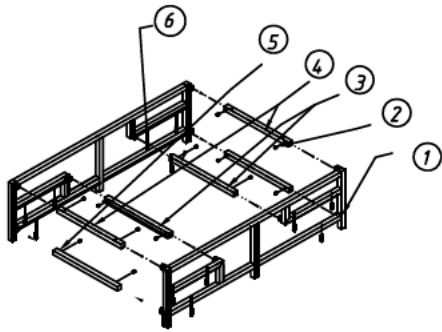


# Installation Instruction

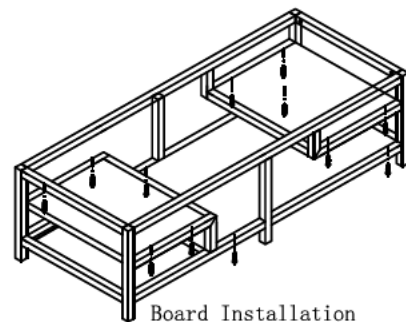
## PARTS LIST

NO.	PARTS	NAME	QTY	NO.	PARTS	NAME	QTY
①		Front aluminum frame	2	⑥		M4x14 Flat head tapping screws	16
②		M4x10 Countersunk head screw	12	⑦		Board	1
③		25x25x430 Aluminum bar with spacing strip	1	⑧		Board	1
④		25x25x430 Aluminum bar with holes	2	⑨		Board	1
⑤		25x25x430 Aluminum bar	2	⑩		Cabinet body	1

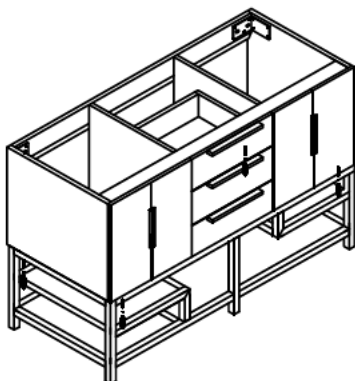
## Installation Steps ①



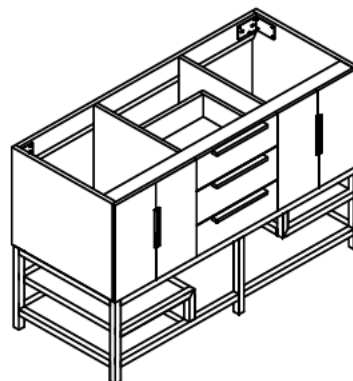
Frame Installation



Board Installation



Connection



Finished