

ASSEMBLY INSTRUCTION
4-Shelf Folding Bookcase
26" Wide

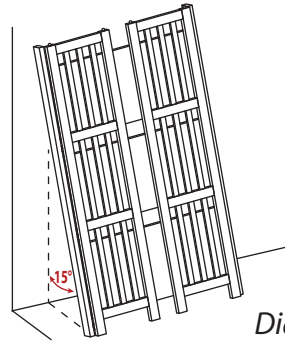
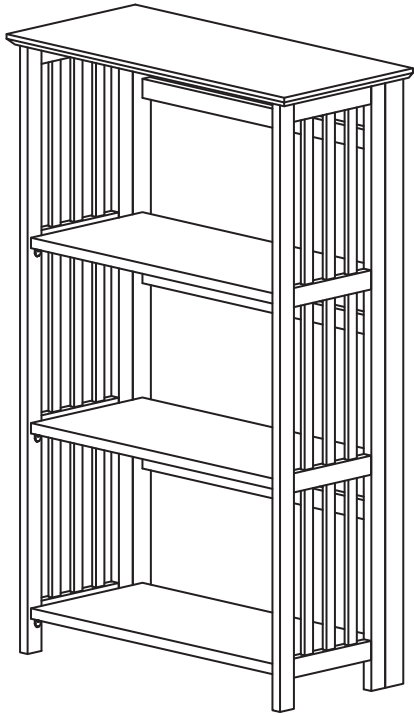


Diagram 1.

Step 1: Lean the bookcase against the wall at a 15 degree angle as per diagram 1.

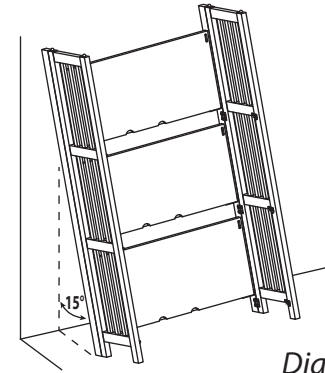


Diagram 2.

Step 2: Unfold the side panels as per diagram 2.

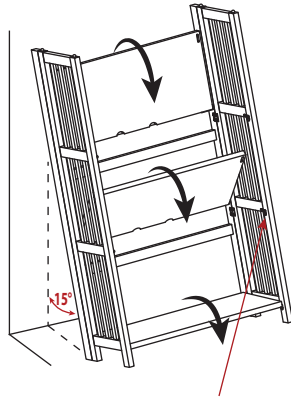


Diagram 3.

Step 3: Lower each shelf as per diagram 3.

Make sure each shelf rests on the metal clip one on each side of the side panels.

metal clip

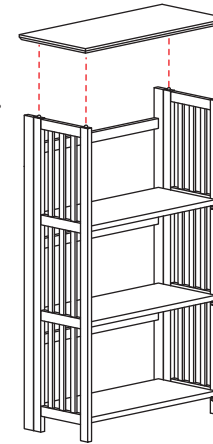

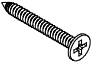
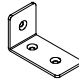


Diagram 4.

Step 4: Stand up the bookcase and put the top as per diagram 4.

List of Hardware

NO	DESCRIPTION	Q'TY
RF10004	 Screws F6 x 5/8"	4
RF10002	 Screws F6 x 1 1/4"	2
RF50003	 L-Bracket	2

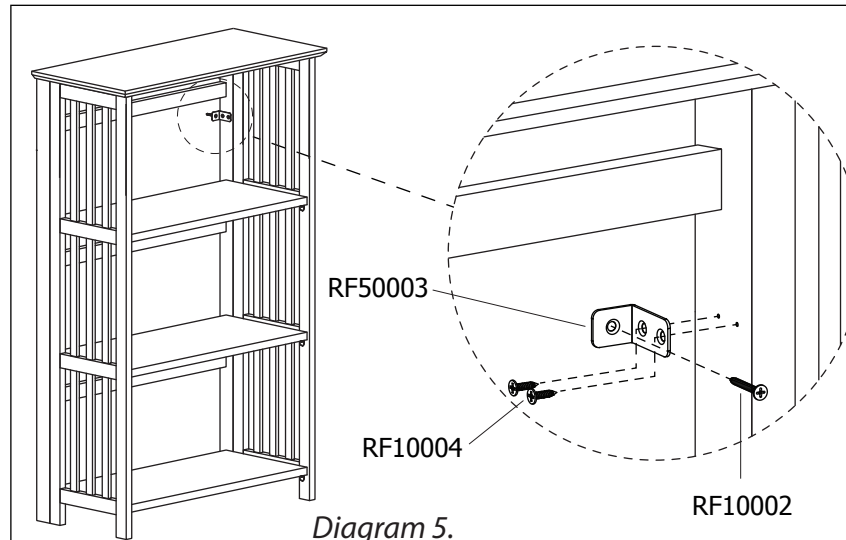


Diagram 5.

Anti-Tipping

Attach L-Brackets (RF50003) to the side panel using screw (RF10004), and to the wall using screw (RF10002) as per diagram 5.