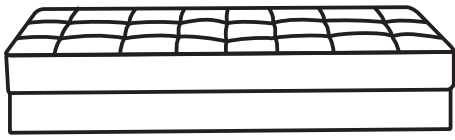
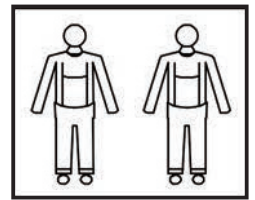


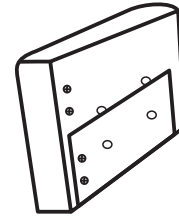
ASSEMBLY INSTRUCTION



A*1



B*1



C*2



D*2



E*2



F*2



G*2



H*4
3*30mm



I*2
8*50mm



J*8
6*40mm

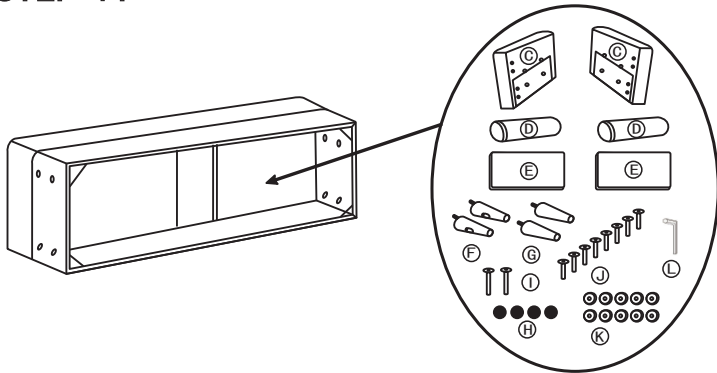


K*10
8*19mm
6*20mm



L*1
M5

STEP 1:



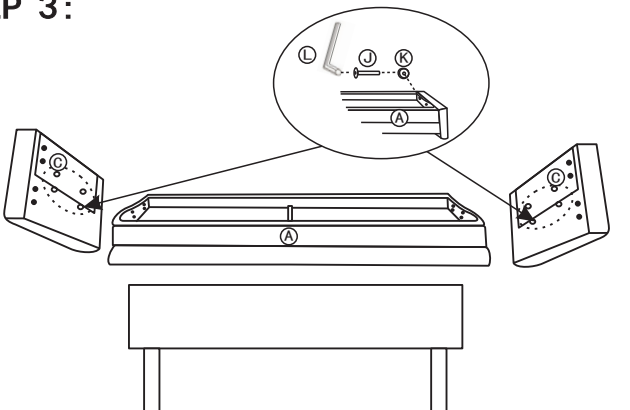
STEP 2:

Take out all the parts in the box, and exhaust the compressed screen package to make it naturally fluffy and pat the bag, the effect will be better if it is exposed to the sun.

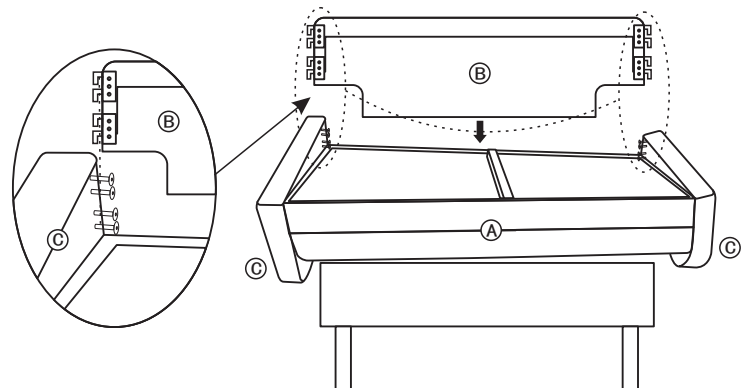


Pay attention Because of the packaging, if there is a crase on the cover, it is not the uality problem of the product. ust iron it with an iron, it will not affect the use.

STEP 3:

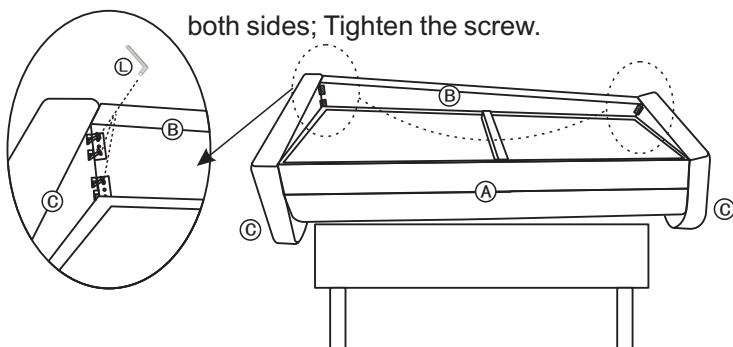


STEP 4:

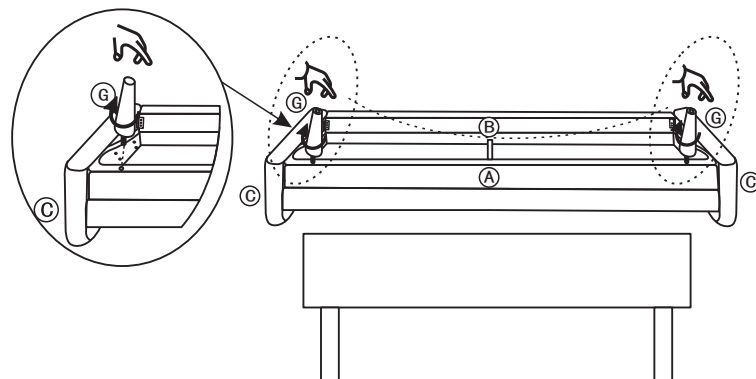


STEP 5:

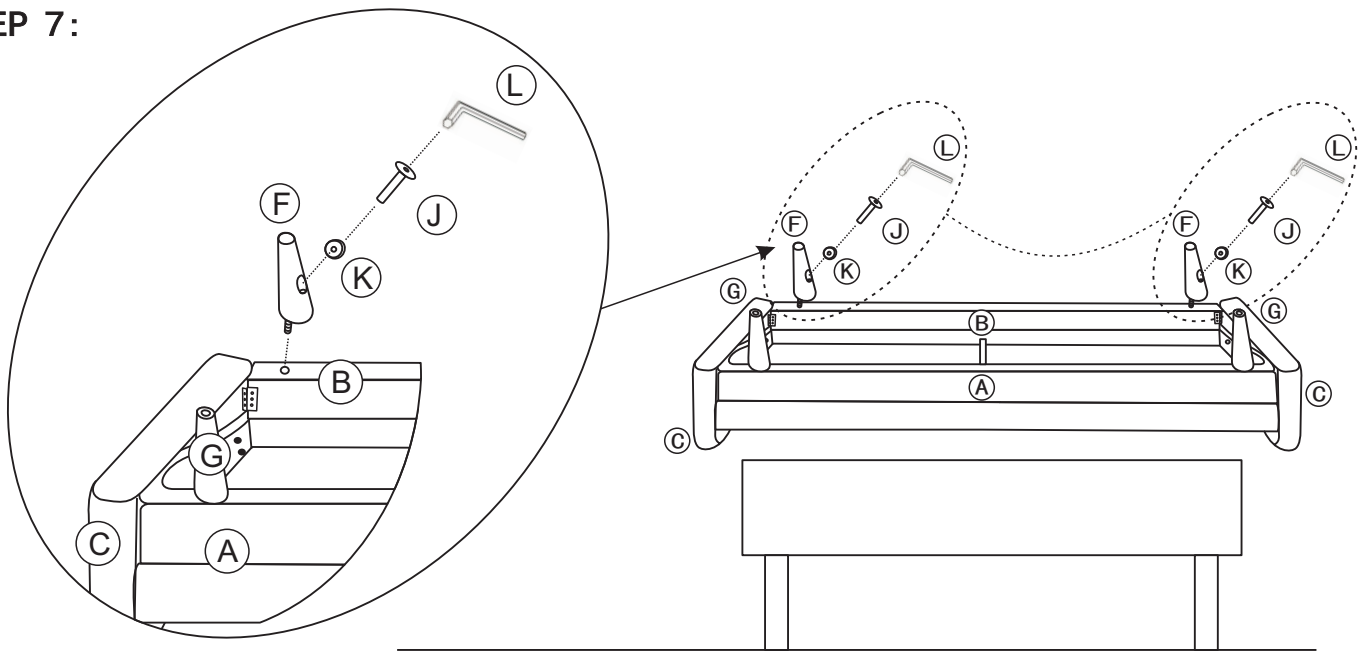
Hang the bed hangers on both sides of the screen and the screws on the armrests on both sides; Tighten the screw.



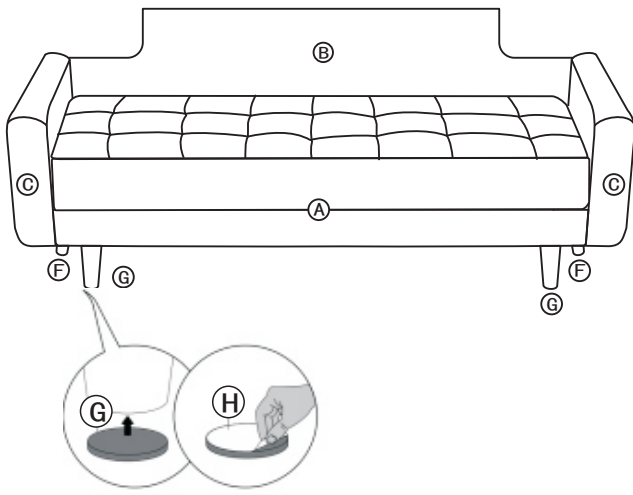
STEP 6:



STEP 7:

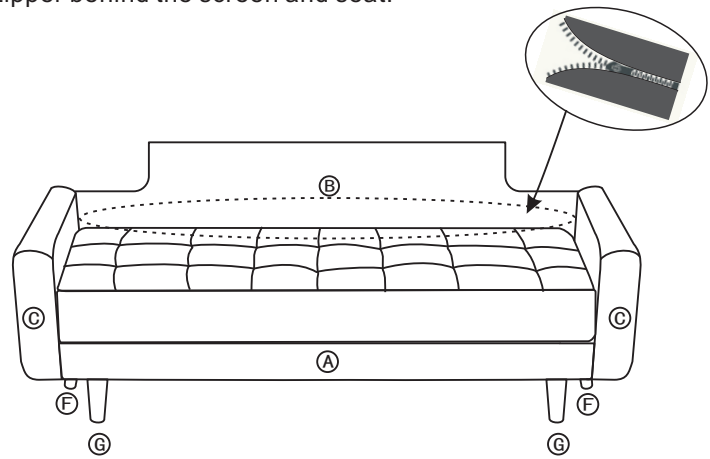


STEP 8:



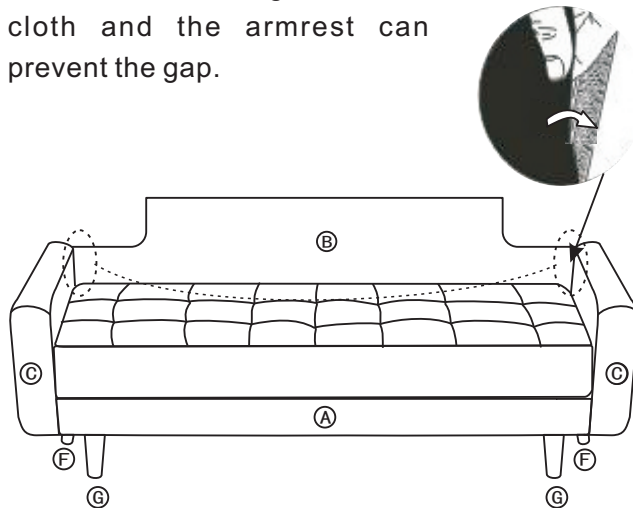
STEP 9:

Lift up the sofa, adjust it to the front, and pull the zipper behind the screen and seat.

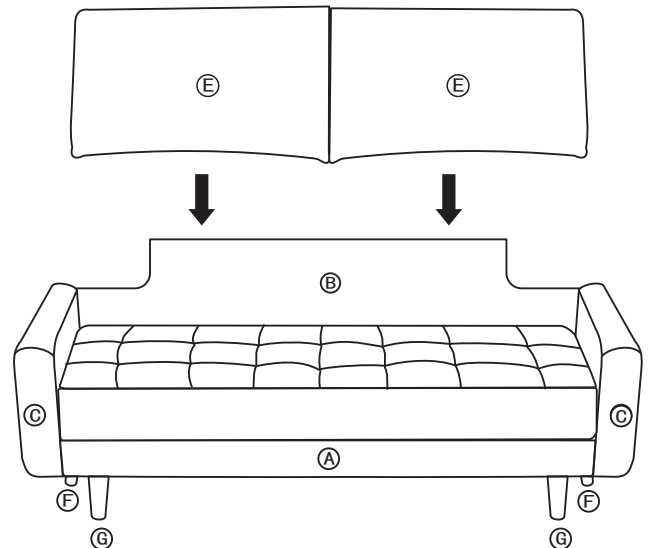


STEP 10:

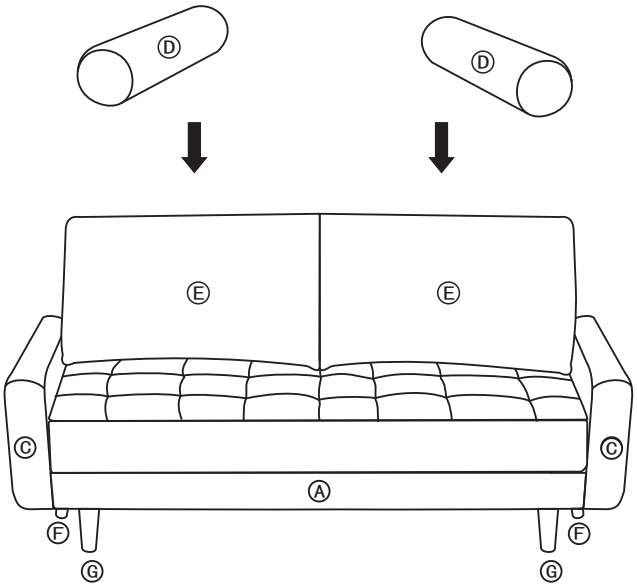
The Velcro at the edge of the flat cloth and the armrest can prevent the gap.



STEP 11:



STEP 12:



STEP 13:

